

# Contents

<b>RAIL &amp; BASE MOUNT TERMINAL BLOCKS</b>	<b>PAGES</b>
<b>General Specifications &amp; Accessories</b>	
<b>for Rail Mount Terminal Blocks</b>	3
<b>NDN Series .250" and .300" Centers</b>	4
<b>NDN Series .375" and .635" Centers</b>	5
<b>N &amp; NFT Series .197", .281" and .390" Centers</b>	6
<b>NC, NSE &amp; NSS Series 1.06" and .385" Centers</b>	7
<b>PLU &amp; PSU Series .390" and .625" Centers</b>	8
<b>KT &amp; PLK Series .250" and .390" Centers</b>	9
<b>NTQ, BNQ &amp; BQQ Series .390" and .437" Centers</b>	10
<b>NDN Fuse Holders</b>	11
<b>UB Series Circuit Breakers</b>	12
<b>15188 Series .375" Centers; 30A, 600V</b>	13
<b>KU Series .625" Centers; 50A, 600V</b>	14
<b>DOUBLE ROW TERMINAL BLOCKS</b>	
<b>Magnum® TB Series 100 .375" Centers; 20A, 300V</b>	15 & 16
<b>Magnum® TB Series 200 .437" Centers; 20A, 300-600V</b>	17 & 18
<b>Magnum® TB Series 300 .562" Centers; 20A-45A, 600V</b>	19 & 20
<b>Magnum® TB Series 400 .687" Centers; 75A, 600V</b>	21
<b>Magnum® TB Series Options Markings, Marker Strips, Covers</b>	22 & 23
<b>POWER TERMINAL BLOCKS</b>	
<b>QC Power Distribution .562" and .687" Centers;</b> Ratings 40A, 250V and 70A, 600V	24
<b>Barrier Terminal .968" Centers; Rating 115A, 600V</b>	25
<b>Dead Front Terminal .500" Centers; Rating 90A, 600V</b>	25
<b>Splicer Terminal .812" thru 2.687" Centers; Ratings to 620A, 250V</b>	26
<b>Power Distribution .812" thru 2.687" Centers; Ratings to 840A, 600V</b>	27
<b>Connector/Stud .812" thru 2.687" Centers; Ratings to 760A, 600V</b>	28
<b>Multiple-Input 1.78" Centers; Ratings 285A, 600V</b>	29
<b>MISCELLANEOUS</b>	
<b>Photo Control Receptacle 13661 Series</b>	30
<b>Non-Fused Disconnect ND-1260 Series</b>	31



**Bussmann  
Information Fax ~  
414.527.1450**

Get the latest, most up-to-date specification data on products listed in this catalog by calling **Bussmann Information Fax**.

**BIF** is a simple to use automated fax response system. No need to wait for normal business hours, BIF is available around the clock for your convenience. All you need is a touch-tone telephone and a fax machine to get specification data when you want it.

A **BIF** document number is indicated with each product in this catalog. To get a detailed specification sheet simply call 314-527-1450 and follow the prompts. In a matter of minutes, a data sheet will be faxed to you. It's that simple!

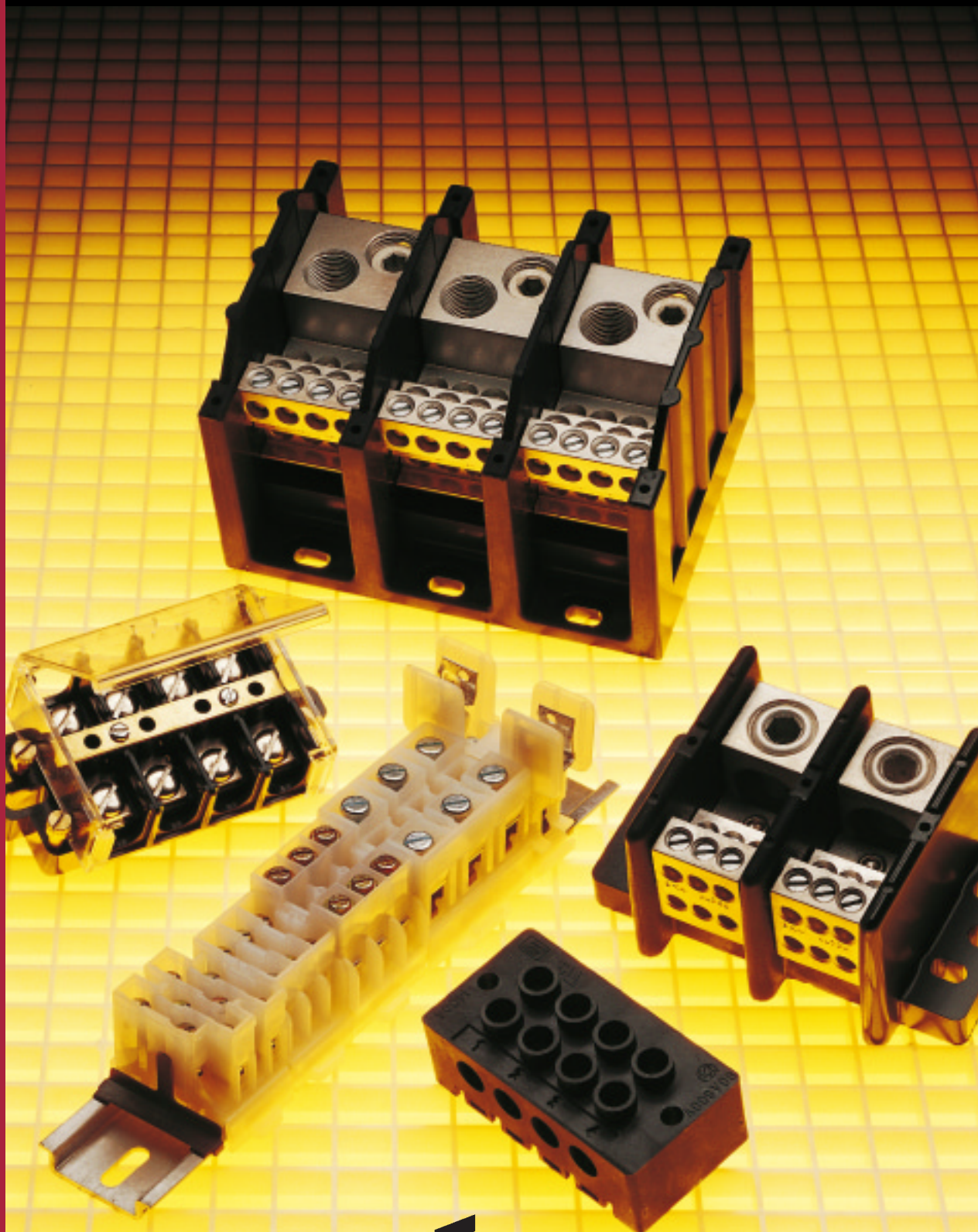
© 1995 Cooper Industries, Bussmann Division  
Printed in U.S.A.

*This catalog is intended to present product data and provide technical information that will help the end user with design application. Bussmann reserves the right, without notice, to change design or construction of any products and to discontinue or limit distribution of any products. Bussmann also reserves the right to change or update, without notice, any technical information contained in this catalog. Once a product has been selected, it should be tested by the user in all possible applications.*

# MAGNUM<sup>®</sup>

## Electrical Products

*Terminal Blocks / Distribution Blocks / Quick Connect Blocks / Disconnects*



**COOPER**

Bussmann  
Circuit Components

## Bussmann Circuit Components

Bussmann Circuit Components has the most complete selection of barrier style terminal blocks in North America. The MAGNUM® brand pioneered the development of high barrier, unbreakable single-row terminal strips for electrical/electronic equipment. Accepted nationally, Magnum is a leader in the field of terminal blocks, boards or strips.

Molded of flexible, resilient thermoplastic which eliminates barrier and strip breakage and enables molding much longer strips for convenience and utility, it is lighter than



thermoset phenolic. Rated at 94VO, it also offers higher dimensional accuracy, higher insulating quality and lower heat absorption during wave soldering.

Complementing its full electronic product line, BCC offers Double Row Terminal Blocks, which are one of the most widely used devices for terminating wires. Versatile and cost effective,

only a screwdriver is needed for installation, eliminating time consuming splicing. High density circuitry conserves panel space with a variety of termination styles. Increased insulation is provided to stop leakage and short circuits. In the field, the high costs of changes are reduced by simply rearranging wire. Other BCC terminal block products include junction blocks, power distribution blocks, sectional terminal blocks, 35mm DIN Rail terminal blocks, I/O connectors and MAGMASTER® interface systems.



The BCC design team is organized into three product areas: Terminal Blocks, Circuit Breakers and Custom Products. Thus, we concentrate our efforts on creative designs and practical solutions for customer needs. Our design engineers use state-of-the-art technology including advanced computer aided design techniques. Employing high-tech methods enables BCC to rapidly transform design ideas into working models, expedited by our in-house model shop. Prototypes are ready in weeks . . . not months.



BCC maintains a complete lab facility for performing UL, CSA & IEC qualification testing. This saves time and money by eliminating costly expenses and procedures involved in gaining approvals.

To keep in touch with ever-changing industry advances, BCC actively participates in respected industry organizations including NEMA, SAE, and UL. Our design engineers hold positions on several committees that influence the establishment of industry standards.

Quality parts are produced by employees with an average of 10 years' experience with BCC. Employees take great pride in their workmanship and the success of Bussmann Circuit Components. Their strong work ethic along with quality assembly equipment assures highly reliable products.

The BCC commitment to quality parts and service is apparent throughout the production process. Our comprehensive quality systems are based on the Total Quality Management philosophy. They start with conceptual design and encompass every functional area of BCC. Employee training, Continuous Quality Improvement Programs, Failure Mode Effects Analysis (FMEA), CP and Cpk statistical methods and the use of process and quality control documents such as SPC are all used. These systems measure both company and supplier activities providing the framework that ensures quality products. ISO 9000 Quality Standards are fully respected and current agency compliances include UL, CSA, VDE, IEC and SAE. BCC has been the recipient of several quality assurance certifications including the prestigious "Ford Q1" Award.



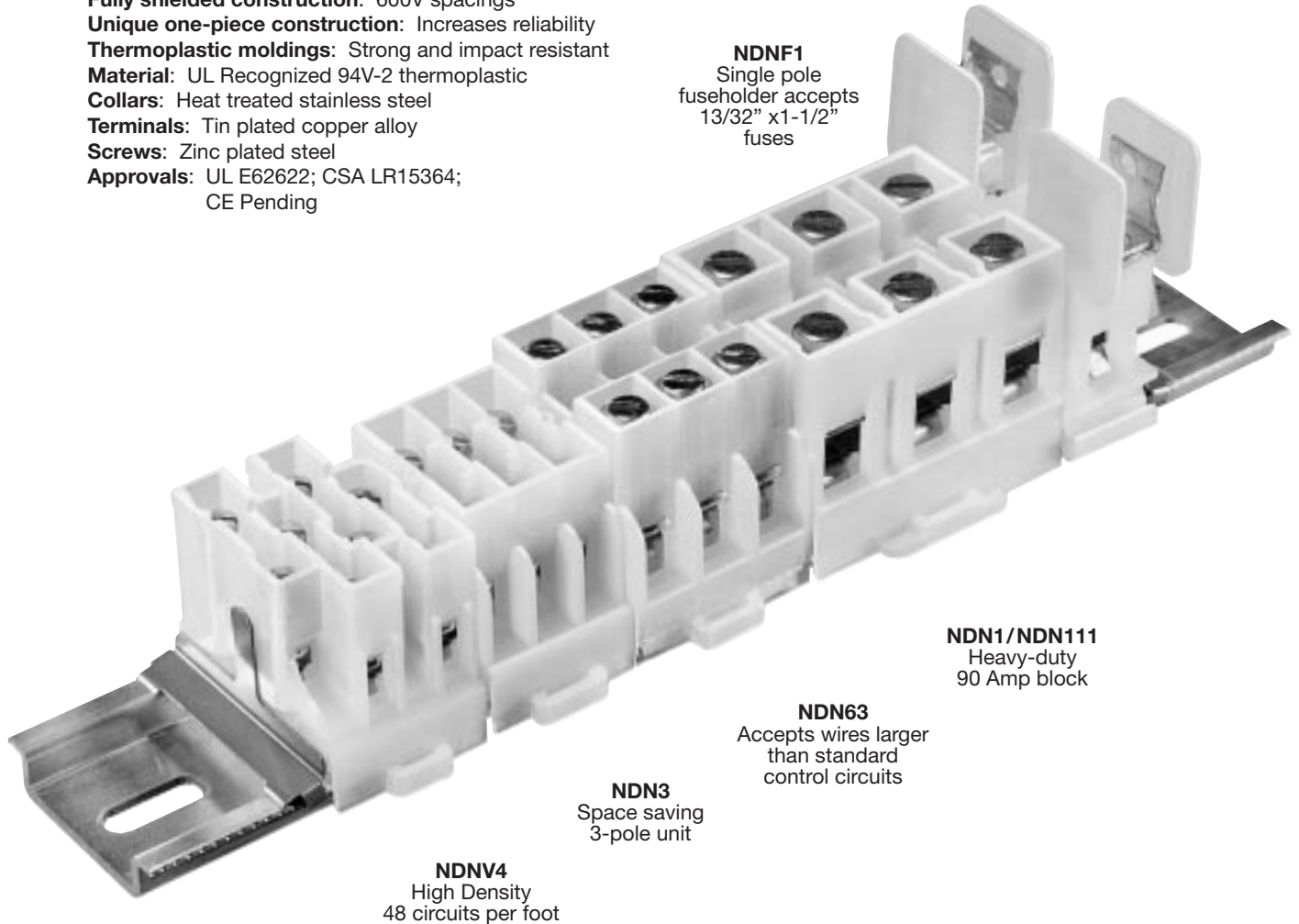
When searching for a solution to your electronic circuit protection or connection needs, you can rely on Bussmann Circuit Components.

*Get Connected With Us.*

## Series NDN Rail Mount Terminal Blocks

35mm DIN Rail Compatible

- High density design:** Up to 48 circuits per foot
- Clamping collar:** Secures wires
- Large, captive, wire-ready screws:** Speeds assembly
- Snap-on installation to DIN rail:** Fast, easy assembly
- Fully shielded construction:** 600V spacings
- Unique one-piece construction:** Increases reliability
- Thermoplastic moldings:** Strong and impact resistant
- Material:** UL Recognized 94V-2 thermoplastic
- Collars:** Heat treated stainless steel
- Terminals:** Tin plated copper alloy
- Screws:** Zinc plated steel
- Approvals:** UL E62622; CSA LR15364;  
CE Pending



**NDNF1**  
Single pole  
fuseholder accepts  
13/32" x1-1/2"  
fuses

**NDN1/NDN111**  
Heavy-duty  
90 Amp block

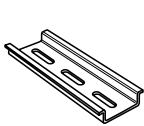
**NDN63**  
Accepts wires larger  
than standard  
control circuits

**NDN3**  
Space saving  
3-pole unit

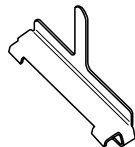
**NDNV4**  
High Density  
48 circuits per foot

**NDNA200**  
Universal aluminum  
35mm DIN mounting rail

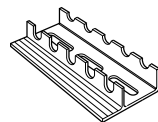
## Series NDN Terminal Block Accessories



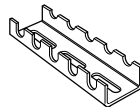
**NDNA**  
35mm DIN rail  
Aluminum  
**NDNA 100** 1 meter  
**NDNA 200** 2 meters



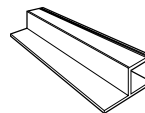
**NDNAS**  
35mm DIN rail  
End Stop



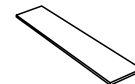
**NFTA**  
C-rail  
Aluminum  
Lengths to 72"



**NRA**  
C-rail  
Low profile  
No flange  
Aluminum  
Lengths to 37-1/2"



**SOA72**  
72" long  
Stand-Off Channel  
for C-rail



**MARKING  
TAPE**  
See series  
specifications



**JUMPERS**  
See series  
specifications

BIF document: 1400



## Rail Mount Terminal Blocks

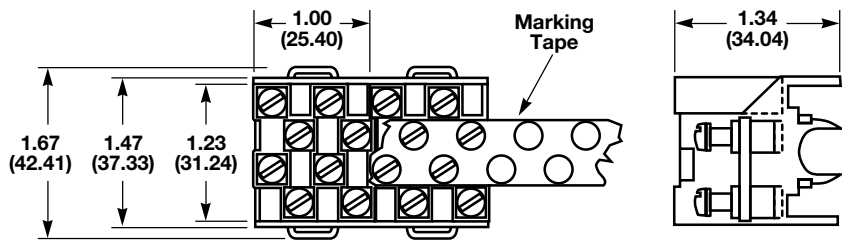
**MAGNUM®**  
GET CONNECTED WITH US

### NDNV4

Inches (Millimeters)

#### SPECIFICATIONS

**Rating:** NDNV4 30A, 600V; UL/CSA  
**Center spacing:** .250" (6.35)  
**Number of poles:** 4  
**Circuits per foot:** 48  
**Circuit jumper:** JN4, 4 circuits  
**Wire size:** AWG #10-22 CU  
**Screw size:** #6-32  
**Mounting options:** 35mm DIN rail, C-rail  
**Marking tape:** MTC6  
**Torque rating:** 18 in/lb max.  
**Operating temperature:** 105°C

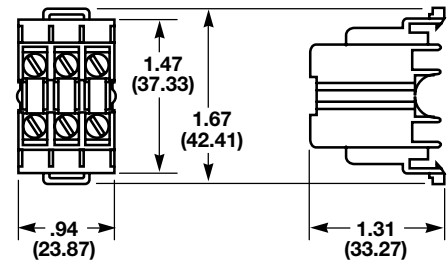
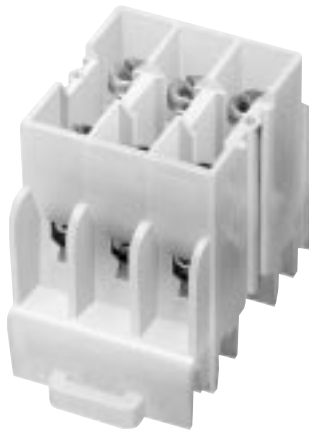


### NDN3

Inches (Millimeters)

#### SPECIFICATIONS

**Rating:** 30A - field wiring; 40A - factory wiring  
 600V; UL/CSA  
**Center spacing:** .300" (7.62)  
**Number of poles:** 3  
**Circuits per foot:** 38  
**Circuit jumper:** JNDN3, 2 circuits  
**Wire size:** AWG #10-22 CU  
**Screw size:** #6-32  
**Mounting options:** 35mm DIN rail, C-rail  
**Marking tape:** MT12-1/2  
**Torque rating:** 18 in/lb max.  
**Operating temperature:** 105°C



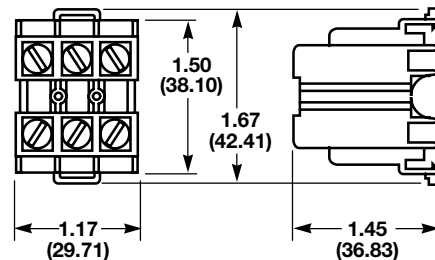
## Rail Mount Terminal Blocks

### NDN63

Inches (Millimeters)

#### SPECIFICATIONS

**Rating:** 65A, 600V; UL/CSA  
**Center spacing:** .375" (9.52)  
**Number of poles:** 3  
**Circuits per foot:** 30  
**Circuit jumper:** JN3, 2 circuits  
**Wire size:** AWG #6-18 CU  
**Screw size:** #10-32  
**Mounting options:** 35mm DIN rail, C-rail  
**Marking tape:** MT12-1/2  
**Torque rating:** 35 in/lb max.  
**Operating temperature:** 105°C

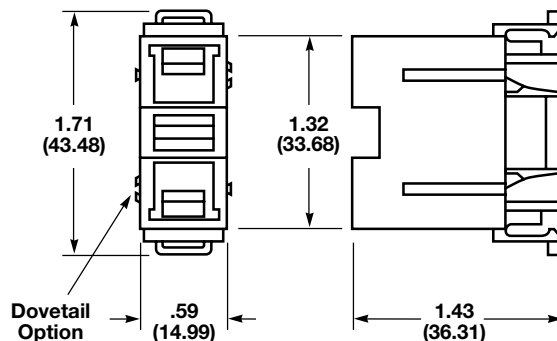


### NDN1

Inches (Millimeters)

#### SPECIFICATIONS

**Rating:** 90A, 600V  
**Center spacing:** .635" (16.13)  
**Number of poles:** 1  
**Circuits per foot:** 18  
**Wire size:** AWG #2-18 CU  
**Screw size:** 1/4-28  
**Mounting options:** 35mm DIN rail, C-rail  
 \* Dove-tail option is available for mounting side-by-side. Order part no. NDN1-A.  
**Marking tape:** MT12-1/2  
**Torque rating:** 32 in/lb max.  
**Operating temperature:** 105°C

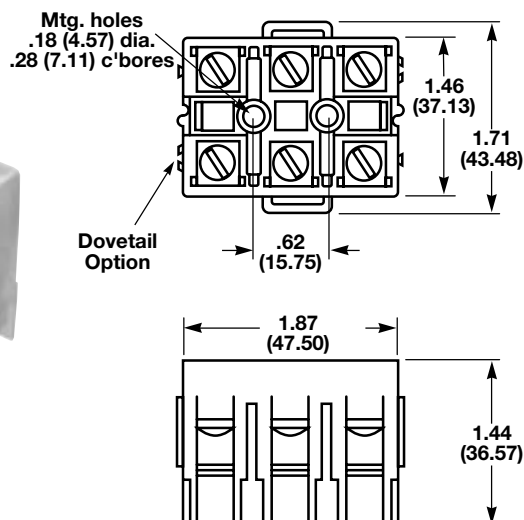


### NDN111

Inches (Millimeters)

#### SPECIFICATIONS

**Rating:** 90A, 600V; UL/CSA  
**Center spacing:** .635" (16.13)  
**Number of poles:** 3  
**Circuits per foot:** 18  
**Circuit jumper:** JN1, 2 circuits  
**Wire size:** AWG #2-18 CU  
**Screw size:** 1/4-28  
**Mounting options:** 35mm DIN rail, C-rail, Base Mount. \* Dove tail option is available for mounting side-by-side. Order part no. NDN111-A.  
**Marking tape:** MT12-1/2  
**Torque rating:** 32 in/lb max.  
**Operating temperature:** 105°C



## Rail Mount Terminal Blocks

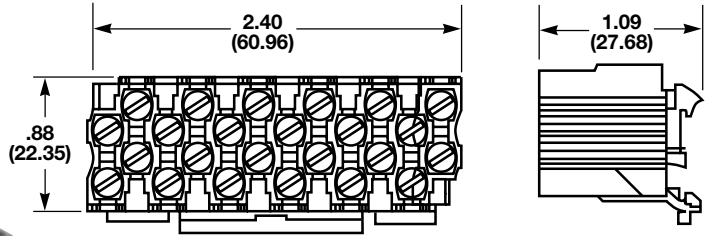
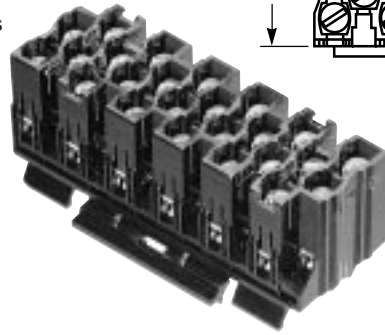
**MAGNUM®**  
GET CONNECTED WITH US

### N512

Inches (Millimeters)

#### SPECIFICATIONS

**Rating:** 5A, 600V; UL/CSA  
20A, 300V; UL/CSA  
**Center spacing:** .197" (5.00)  
**Number of poles:** 12  
**Circuits per foot:** 60  
**Circuit jumper:** JN512, 12 circuits  
**Wire size:** AWG #12-22 CU  
**Screw size:** #4-48  
**Mounting options:** C-rail,  
15mm DIN rail  
**Marking tape:** AT512  
**Torque rating:** 12 in/lb max.  
**Operating temperature:** 105°C



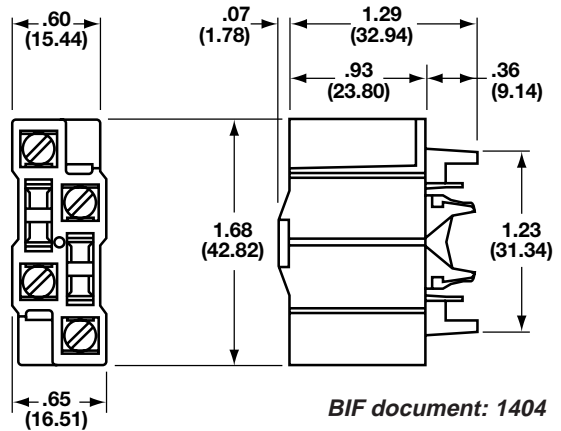
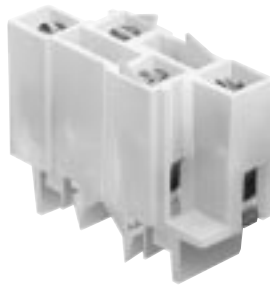
BIF document: 1403

### NFT2

Inches (Millimeters)

#### SPECIFICATIONS

**Rating:** 40A, 600V; UL/CSA;  
55A Factory Wired  
**Center spacing:** .281" (7.13)  
**Number of poles:** 2  
**Circuits per foot:** 38  
**Circuit jumper:** JN2, 2 circuits  
**Wire size:** AWG #8-22 CU  
**Screw size:** #8-32  
**Mounting options:** C-rail  
**Marking tape:** MT12-1/2  
**Torque rating:** 18 in/lb max.  
**Operating temperature:** 105°C



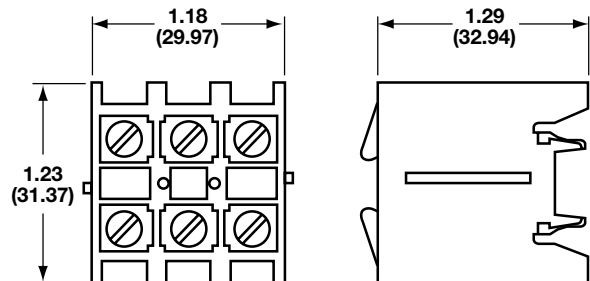
BIF document: 1404

### NFT3

Inches (Millimeters)

#### SPECIFICATIONS

**Rating:** 40A, 600V; UL/CSA;  
55A Factory Wired  
**Center spacing:** .390" (9.91)  
**Number of poles:** 3  
**Circuits per foot:** 28  
**Circuit jumper:** JN3, 2 circuits  
**Wire size:** AWG #8-22 CU  
**Screw size:** #8-32  
**Mounting options:** C-rail  
**Marking tape:** MT12-1/2  
**Torque rating:** 18 in/lb max.  
**Operating temperature:** 105°C



BIF document: 1405



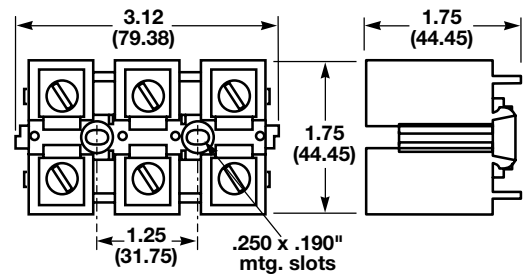
## Rail & Base Mount Terminal Blocks

### NC3

Inches (Millimeters)

#### SPECIFICATIONS

**Rating:** 175A, 600V; UL/CSA  
**Center spacing:** 1.06" (26.92)  
**Number of poles:** 3  
**Circuits per foot:** 11  
**Wire size:** 2/0-#14 CU/AL  
**Screw size:** 5/16-24  
**Mounting options:** C-rail, Base Mount  
**Marking tape:** MT12-1/2  
**Torque rating:** 45 in/lb max.  
**Operating temperature:** 105°C



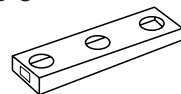
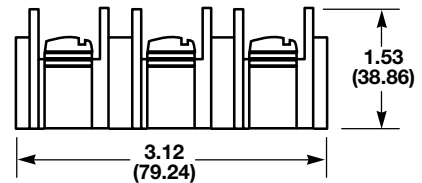
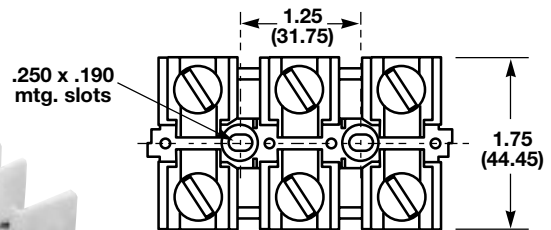
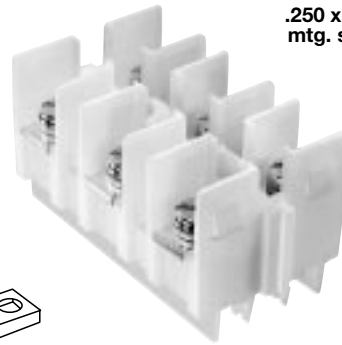
BIF document: 1406

### NSE3

Inches (Millimeters)

#### SPECIFICATIONS

**Rating:** 115A, 600V; UL/CSA  
**Center spacing:** 1.06" (26.92)  
**Number of poles:** 3  
**Circuits per foot:** 11  
**Circuit jumper:** JNSE3, 2 circuits  
**Wire size:** For use with wire crimped to ring terminal.  
**Screw size:** 1/4-28  
**Mounting options:** C-rail, Base Mount  
**Marking tape:** MT12-1/2  
**Operating temperature:** 105°C



Optional LS3 Terminal Cover

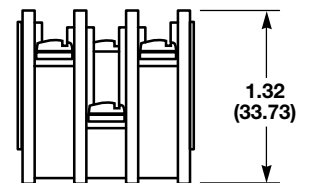
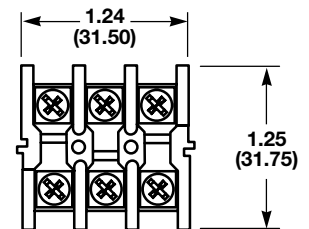
BIF document: 1407

### NSS3

Inches (Millimeters)

#### SPECIFICATIONS

**Rating:** 30A, 600V; UL/CSA  
**Center spacing:** .385" (9.77)  
**Number of poles:** 3  
**Circuits per foot:** 28  
**Circuit jumper:** JNSS3, 2 circuits  
**Wire size:** For use with wire crimped to ring terminal.  
**Screw size:** #6-32  
**Mounting options:** C-rail  
**Marking tape:** MT12-1/2  
**Operating temperature:** 105°C



BIF document: 1408



## Deploable Rail Mount Terminal Blocks

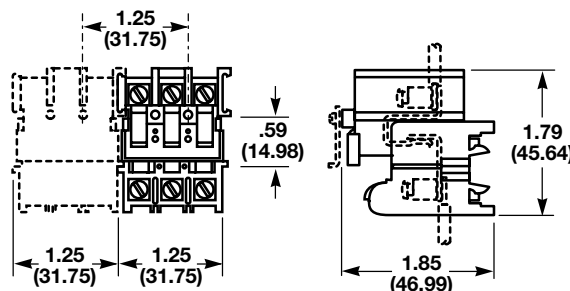
**MAGNUM®**  
GET CONNECTED WITH US

### PLU3

Inches (Millimeters)

#### SPECIFICATIONS

**Rating:** 40A, 600V; UL/CSA  
**Center spacing:** .390" (9.91)  
**Number of poles:** 3  
**Circuits per foot:** 28  
**Circuit jumper:** JN3, 2 circuits  
**Wire size:** AWG #8-22 CU  
**Screw size:** #8-32  
**Mounting options:** C-rail, Stackable  
**Marking tape:** MT12-1/2  
**Torque rating:** 18 in/lb max.  
**Operating temperature:** 105°C



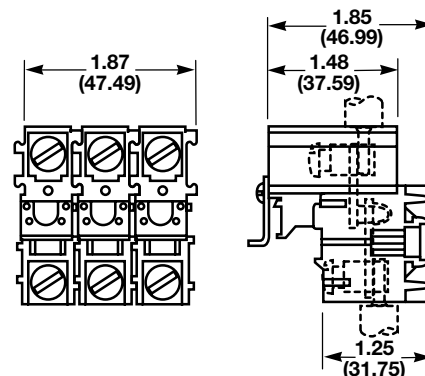
BIF document: 1409

### PLU1 Series

Inches (Millimeters)

#### SPECIFICATIONS

**Rating:** 70A, 600V; UL/CSA  
**Center spacing:** .625" (15.88)  
**Number of poles:** 1-3  
 PLU1 (1 pole)  
 PLU11 (2 pole)  
 PLU111 (3 pole)  
**Circuits per foot:** 19  
**Circuit jumper:** JN1, 2 circuits  
**Wire size:** AWG #4-18 CU  
**Screw size:** 1/4-28  
**Mounting options:** C-rail, Stackable  
**Marking tape:** MT12-1/2  
**Torque rating:** 32 in/lb max.  
**Operating temperature:** 105°C



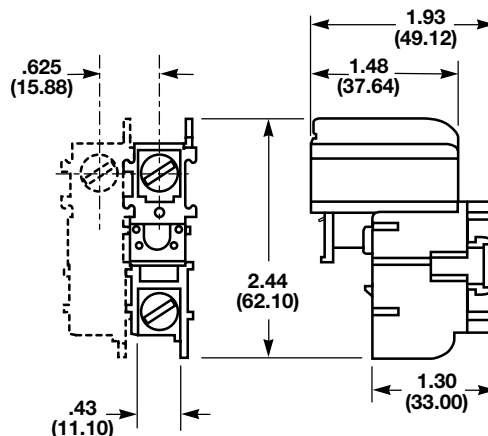
BIF document: 1410

### PSU1 Series

Inches (Millimeters)

#### SPECIFICATIONS

**Rating:** 45A\*, 600V; UL/CSA  
 \*45A rating achieved with ring terminal crimped to wire.  
**Center spacing:** .625" (15.88)  
**Number of poles:** 1-3  
 PSU1 (1 pole)  
 PSU11 (2 pole)  
 PSU111 (3 pole)  
**Circuits per foot:** 19  
**Wire size:** For use with crimp on connectors only.  
**Screw size:** #10-32  
**Mounting options:** C-rail, Stackable  
**Marking tape:** MT12-1/2  
**Torque rating:** 32 in/lb max.  
**Operating temperature:** 105°C



BIF document: 1411



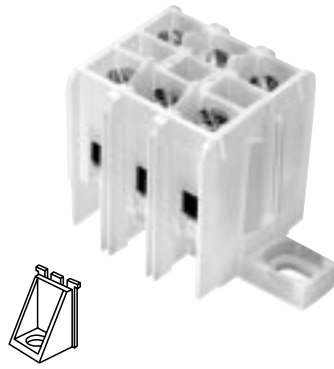
## Base Mount Terminal Blocks

### KT3

Inches (Millimeters)

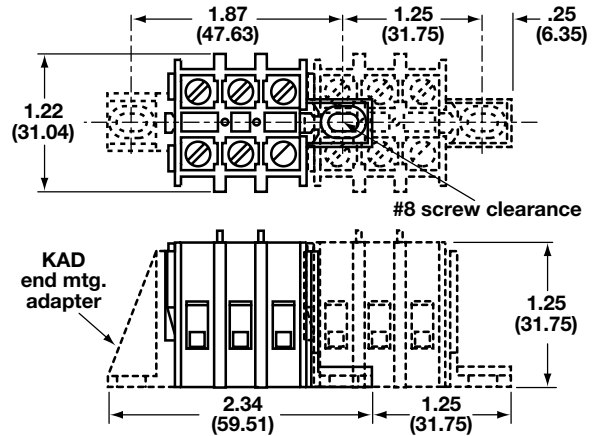
#### SPECIFICATIONS

**Rating:** 40A, 600V; UL/CSA  
**Center spacing:** .390" (9.91)  
**Number of poles:** 3  
**Circuits per foot:** 28  
**Circuit jumper:** JN3, 2 circuits  
**Wire size:** #8-22 CU  
**Screw size:** #8-32  
**Mounting options:** Base Mount, Stackable  
**Marking tape:** MT12-1/2  
**Torque rating:** 18 in/lb max.  
**Operating temperature:** 105°C



KAD

**BIF document:** 1412 End Mount Adapter Optional

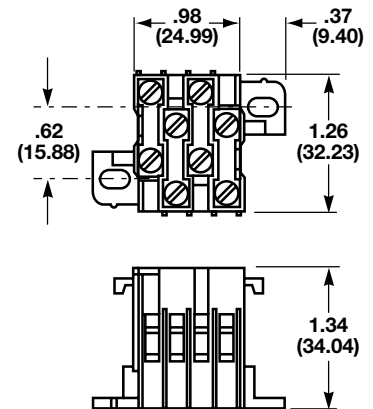


### KT4

Inches (Millimeters)

#### SPECIFICATIONS

**Rating:** 30A, 600V; UL/CSA  
**Center spacing:** .250" (6.35)  
**Number of poles:** 4  
**Circuits per foot:** 48  
**Circuit jumper:** JN4, 4 circuits  
**Wire size:** AWG #10-22 CU  
**Screw size:** #6-32  
**Mounting options:** Base Mount  
 Mounting screws recommended every 12 circuits.  
**Marking tape:** MTC6  
**Torque rating:** 18 in/lb max.  
**Operating temperature:** 105°C



**BIF document:** 1413

### PLK3

Inches (Millimeters)

#### SPECIFICATIONS

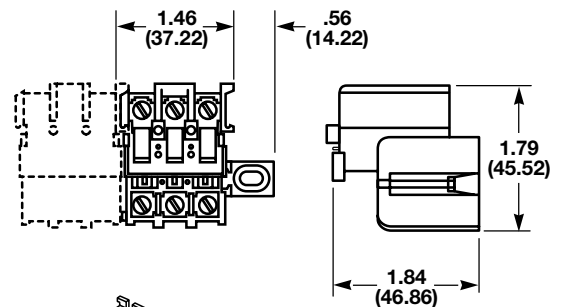
**Rating:** 40A, 600V; UL  
**Center spacing:** .390" (9.91)  
**Number of poles:** 3  
**Circuits per foot:** 28  
**Circuit jumper:** JN3, 2 circuits  
**Wire size:** AWG #8-22 CU  
**Screw size:** #8-32  
**Mounting options:** Base Mount, Stackable; End Piece (Part No. KAD) is required for mounting. Mounting screws recommended every 15 circuits.  
**Marking tape:** MT12-1/2  
**Torque rating:** 18 in/lb max.  
**Operating temperature:** 105°C



KAD

End Mount Adapter Required

**BIF document:** 1414



## Quick Connect Terminal Blocks

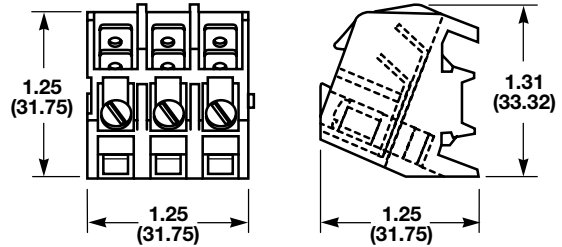
**MAGNUM®**  
GET CONNECTED WITH US

### NTQ23

Inches (Millimeters)

#### SPECIFICATIONS

**Rating:** 40A, 600V  
**Center spacing:** .390" (9.91)  
**Number of poles:** 3  
**Circuits per foot:** 28  
**Wire size:** AWG #8-22 CU  
**Screw size:** #8-32  
**Mounting options:** C-rail  
**Marking tape:** MT12-1/2  
**Torque rating:** 18 in/lb max.  
**Operating temperature:** 105°C



BIF document: 1415

### BNQ21

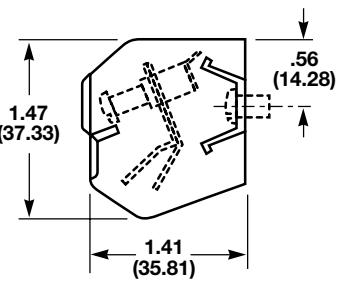
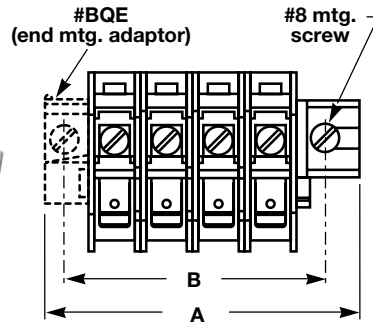
Inches (Millimeters)

#### SPECIFICATIONS

**Rating:** 40A, 600V; UL/CSA  
**Center spacing:** .437" (11.10)  
**Number of poles:** 1  
**Circuits per foot:** 24  
**Wire size:** AWG #8-22 CU  
**Screw size:** #8-32  
**Quick Connects:** .250" x .031"  
**Mounting options:** Base Mount, Stackable; End Piece (Part No. BQE) is required for mounting. Mounting screws recommended every 8 circuits.  
**Torque rating:** 18 in/lb max.  
**Operating temperature:** 105°C



BQE  
End Mounting Adapter Required



A	B
(N+2) x .437	(N+1) x .437
N = Number of circuits	

BIF document: 1416

### BQQ41

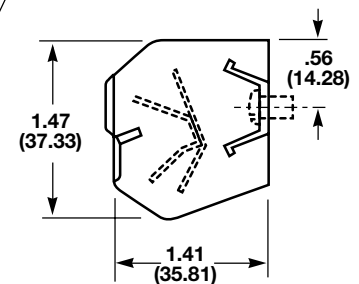
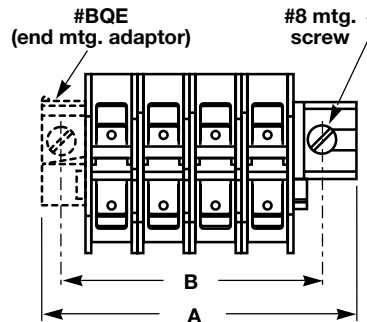
Inches (Millimeters)

#### SPECIFICATIONS

**Rating:** 30A, 600V; UL/CSA  
**Center spacing:** .437" (11.10)  
**Number of poles:** 1  
**Circuits per foot:** 24  
**Wire size:** For use with quick connect terminals only.  
**Quick Connects:** .250" x .031"  
**Mounting options:** Base Mount, Stackable; End Piece (Part No. BQE) is required for mounting. Mounting screws recommended every 8 circuits.  
**Operating temperature:** 105°C



BQE  
End Mounting Adapter Required



A	B
(N+2) x .437	(N+1) x .437
N = Number of circuits	

BIF document: 1417



## Rail Mount Fuse Holders

### NDNF-1

Inches (Millimeters)

#### SPECIFICATIONS

**Rating:** 30A, 600V; UL/CSA

**Number of poles:** 1

**Fuse size:** 13/32" x 1-1/2"

BCC recommends Buss® KTK-R, FNQ-R or equivalent.

**Circuit jumper:** JF1, 2 circuits

**Wire size:** AWG #8-22 CU

**Mounting options:** 35mm DIN rail, C-rail

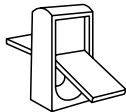
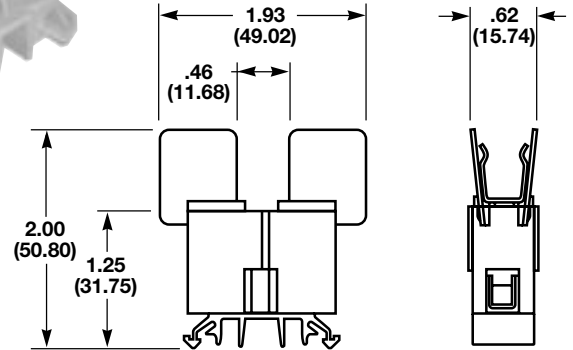
**Fuse Pullers:** PF1 (standard);

\*LPF1 (lighted neon or incandescent bulb).

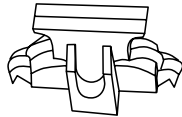
**Marking tape:** MT12-1/2

**Torque rating:** 18 in/lb max.

**Operating temperature:** 105°C



PF1  
Fuse Puller



LPF1  
Lighted Fuse Puller

### NDND1 non-fused disconnect enables isolation of individual circuits for testing

### NDNFD1 fused disconnect block

### NDNLFD1 fused disconnect with visual indicator\* for blown fuse

Inches (Millimeters)

#### SPECIFICATIONS

##### Ratings:

NDND1: 30A, 600V; UL/CSA

NDNFD1: 15A, 600V; CSA

NDNLFD1: 15A, 600V

**Number of poles:** 1

**Fuse size:** 1/4" x 1-1/4"

BCC recommends Buss® AGC, MDL or equivalent.

**Circuit jumper:** JF1, 2 circuits

**Wire size:** AWG #8-22 CU

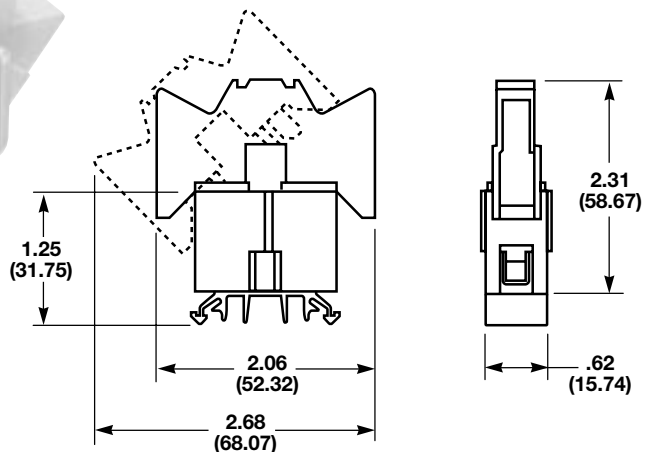
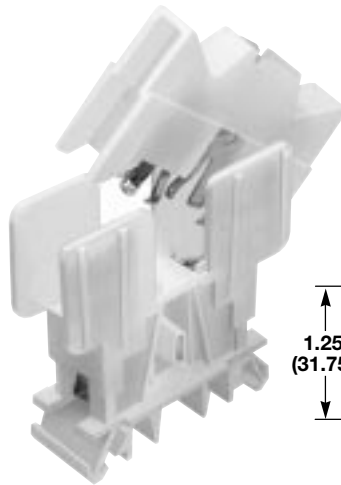
**Mounting options:**

35mm DIN rail, C-rail

**Marking tape:** MT12-1/2

**Torque rating:** 18 in/lb max.

**Operating temperature:** 105°C



\*Visual indicator for blown fuse is neon or incandescent bulb, depending on voltage. Specify voltage required.

BIF document: 1418



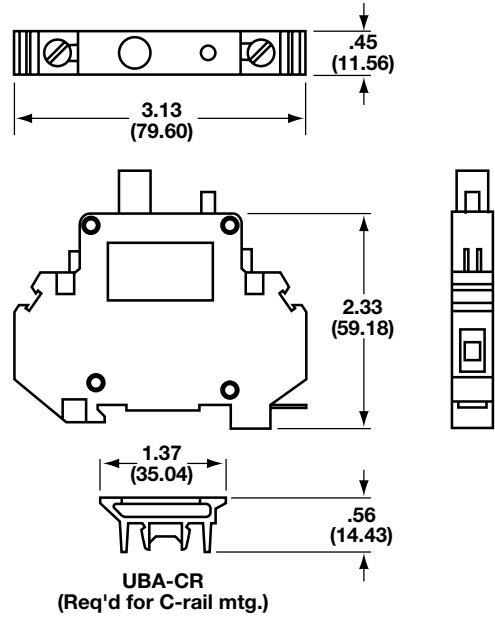
# Rail Mount Circuit Breakers



## UB Series Inches (Millimeters)

### SPECIFICATIONS

- Rating:** .5 - 15A, 250VAC/65VDC; UL\*/CSA/VDE
- \*For 9A - 15A units, UL voltage ratings: 125VAC/65VDC
- Number of poles:** 1
- Max. interrupt cap.:** 200A, but not over 100 times rated current.
- Life:** 4,000 cyc. 200% rated current; 6,000 cyc. rated current
- Dielectric strength:** 1,500VAC
- Insulation resist:** 100 Megohms
- Mounting options:** 35mm DIN rail, C-rail (Adapter required for C-rail)
- Weight:** 3.2 oz.

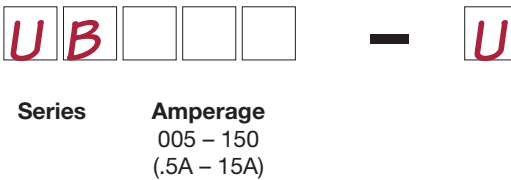


Tripping Times in Seconds at 70°F								
Percent rated current	100%	200%	300%	400%	500%	600%	1000%	2000%
Tripping time	no trip	10 - 40	3 - 18	1.5 - 9	.8 - 6	.003 - 4	.003 - 2	max. .02
For elevated ambient temperatures, find proper current rating of circuit breaker by multiplying actual full load current with these factors. Select closest (higher) amp rating.								
Temperature	100°F (37.8°C)		120°F (48.9°C)		140°F (60°C)		160°F (71.1°C)	
Factor	1.1		1.2		1.3		1.4	

### Standard Current Ratings

Amps	Ohms	Amps	Ohms
0.5	8.000	6.0	0.056
1.0	1.900	6.5	0.035
1.5	0.900	7.0	0.036
2.0	0.480	8.0	0.032
2.5	0.320	9.0	0.022
3.0	0.260	10.0	0.018
3.5	0.160	11.0	0.016
4.0	0.130	12.0	0.016
4.5	0.085	13.0	0.016
5.0	0.076	14.0	0.012
5.5	0.064	15.0	0.012

### Part Numbering System



Notes: Pressure connector is UL/CSA  
 Recognized for field wiring.  
 Contact factory for ratings below 1A.

BIF document: 1419



For complete specification data, call Bussmann Information Fax ~ 314.527.1450

## Series 15188

### Disconnect Terminal Blocks for 35mm DIN Rail Mount

#### SPECIFICATIONS

**Rating:** 30A; 600V\*

**Center spacing:** .375" (9.52 mm)

**Wire Size:** AWG #12-16 CU

**Screw Size:** #6-32 zinc plated phillslot

**Number of poles:** 3 and 4 pole only

**Mounting:** 35mm DIN Rail

Optional End Stop NDNAS (shown on pg 4).

**Jumpers:** 2 through 4-pole available

**Materials:** Molded Base: Black, UL rated 94V-2 thermoplastic. Tin plated copper alloy contacts.

**Torque rating:** 12 in/lb max.

**Operating temperature:** 120°C

**Approvals:** UL E62622; CSA LR15364; CE Pending

\*60A rating achieved with #10AWG wire crimped to ring terminal; 25A without.

Assembly*	ORIENTATION	
	Reverse	In-Line
3 Pole	15188-3R	15188-3
4 Pole	15188-4R	15188-4

\* Includes male and female disconnect terminal block assembly.

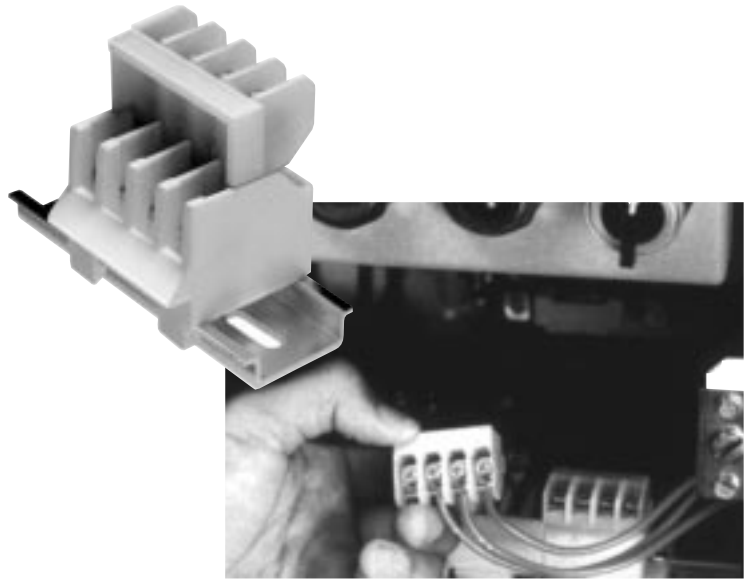
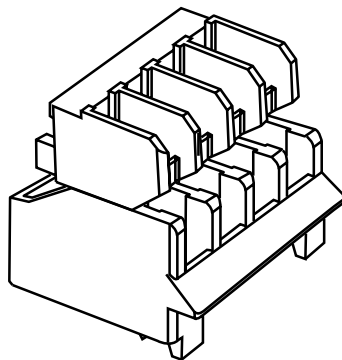
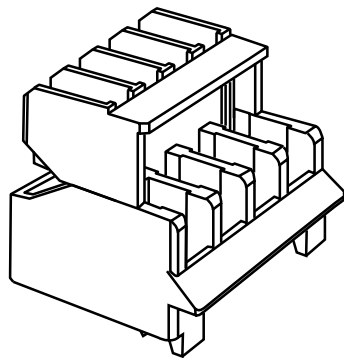


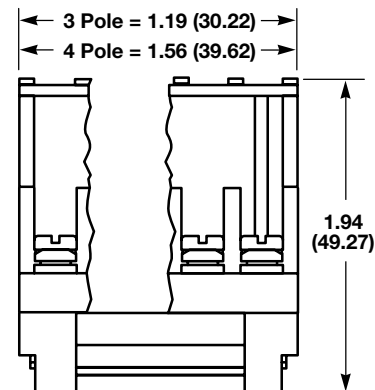
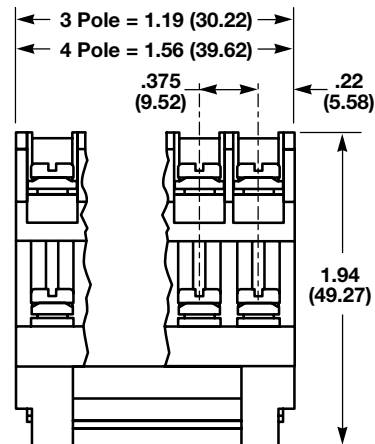
Photo courtesy of Square D Company.



REVERSE WIRING DIRECTION



IN-LINE WIRING DIRECTION



## Series KU

### Base Mount Double Row Terminal Blocks

# MAGNUM®

GET CONNECTED WITH US

#### SPECIFICATIONS

**Rating:** 60A, 600V\*

**Center Spacing:** .625" (15.88 mm)

**Number of poles:** 2 - 12

**Wire Size:** AWG #6 CU max.

**Screw Size:** #10-32 brass nickel plated

**Torque Rating:** 20 in/lb max.

**Distance Between Barriers:** .437" (11.09 mm)

**Mounting:** Base mount. For 35mm DIN rail mountable, consult factory.

**Material:** Molded base: Black, UL rated 94V-0 thermoplastic. Terminal plating: Nickel over brass.

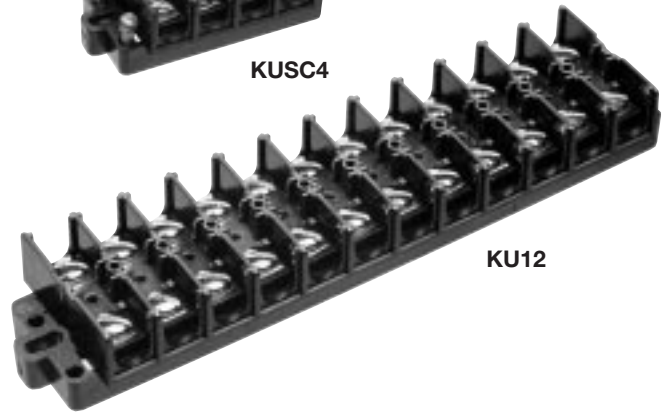
**Screws:** Nickel plated brass.

**Operating Temperature:** 105°C max.

**Approvals:** UL E62622; CSA LR15364; CE Pending

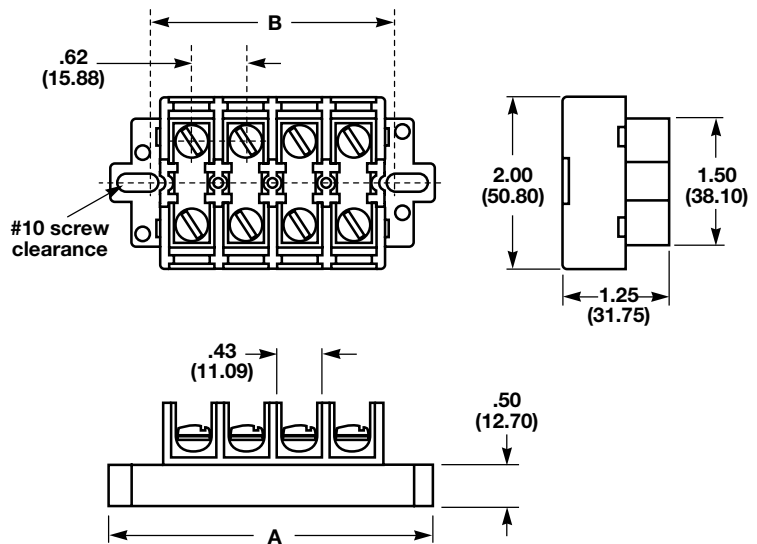


KUSC4



KU12

No. of Poles	KU		KUX only
	A	B	A
2	2.50	1.62	2.00
3	3.12	2.25	2.62
4	3.75	2.87	3.25
5	4.37	3.50	3.87
6	5.00	4.12	4.50
7	5.62	4.75	5.12
8	6.25	5.37	5.75
9	6.87	6.00	6.37
10	7.50	6.62	7.00
11	8.12	7.25	7.62
12	8.75	7.87	8.25



Dimensions in inches. To convert to millimeters, multiply by 25.4.

\*60A rating achieved with #6 copper wire crimped to ring terminal

## Part Numbering System

#### Series



- KU** - Standard block
- KUX** - Short block
- KUSC** - Standard w/shorting strap & 4 shorting screws
- KURL** - Standard w/removable link
- KUXSC** - Short block w/shorting strap & 4 shorting screws
- KUXRL** - Short block w/removable link

#### Poles



2 to 12

#### Screw Options



- 00** - screws shipped bulk
- W** - brass washer head, nickel plated
- P** - Steel screw w/pressure plate zinc plated
- B** - brass washer head, no plating

#### Covers



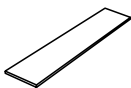
**WC** - Top cover & 2 end plates

#### Marking Strip

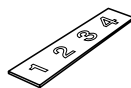


- MT** - Matte finish
- NU** - Numbered 1 to 12, horizontal
- NUV** - Numbered 1 to 12, vertical
- PT** - Marker strip for cover

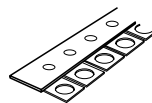
## Accessories



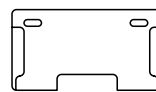
**MTMU##**  
Molded Marking Tape  
Matte Finish



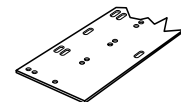
**NUM##**  
Molded Marking Tape



**JU12**  
Jumper  
12 Circuits



**NUC**  
End Piece for NUC



**NUC##**  
Cover

BIF document: 1421



For complete specification data, call Bussmann Information Fax ~ 314.527.1450

## Series TB100

### Double Row Terminal Blocks

#### SPECIFICATIONS

**Rating:** UL: 20A, 250V\*

CSA: 20A; 150V\*

**Center Spacing:** .375" (9.52 mm)

**Wire Size:** #14 - 22 AWG CU

**Screw Size:** #6-32 zinc plated philslot screws

**Torque Rating:** Max. torque for #6 screws - 9 in/lb.

**Distance Between Barriers:** .30" (7.62 mm)

**Mounting:** #6 screws

**Materials:** Molded base: Black, UL rated 94V-0 thermoplastic

Terminal plating: Tin over brass; Screws: Zinc plated steel

finished with a clear chromate and special coating to inhibit rust.

Hardware: Tin over brass

**Operating Temperature:** 260°F (130°C) max., -40°F (-40°C) min.

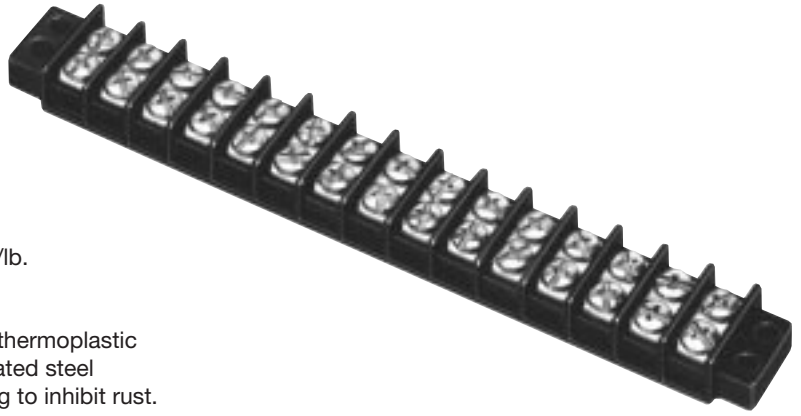
**Creepage Paths:** Terminal-to-terminal .275" (6.99 mm);

Terminal-to-mounting surface .300" (7.62 mm).

**Breakdown Voltage:** 3600V rms

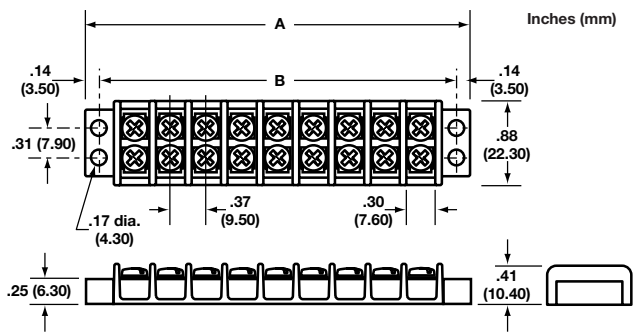
**Approvals:** UL E62622; CSA LR15364; IEC Compliance; CE Pending

\* Max. rating shown; some options may be rated lower - consult factory.



Poles	A	B	Poles	A	B	Poles	A	B
02	1.40	1.12	14	5.90	5.62	26	10.40	10.12
03	1.78	1.50	15	6.28	6.00	27	10.78	10.50
04	2.16	1.88	16	6.66	6.38	28	11.16	10.88
05	2.53	2.25	17	7.03	6.75	29	11.53	11.25
06	2.90	2.62	18	7.40	7.12	30	11.90	11.62
07	3.28	3.00	19	7.78	7.50	31	12.28	12.00
08	3.66	3.38	20	8.16	7.88	32	12.66	12.38
09	4.03	3.75	21	8.53	8.25	33	13.03	12.75
10	4.40	4.12	22	8.90	8.62	34	13.40	13.12
11	4.78	4.50	23	9.28	9.00	35	13.78	13.50
12	5.16	4.88	24	9.66	9.38	36	14.16	13.88
13	5.53	5.25	25	10.03	9.75			

TB100



\* Dimensions in inches. To convert to millimeters, multiply by 25.4.

## Part Numbering System

#### Series

T B 1 0 0

#### Poles

02 to 36

#### Screw Options

Blank - std. screws  
00 - screws shipped bulk  
B - brass philslot, nickel plated  
BS - brass Sems philslot, nickel plated  
SP - steel Sems philslot, zinc plated

#### Marking

L1 to L6 - std. marking  
Marker strips (pg 23)  
Covers (pg 22)

#### Hardware Options

QC1 to QC20 - quick connects





**Screw Options**



**B**  
Brass Philslot  
Nickel Plated



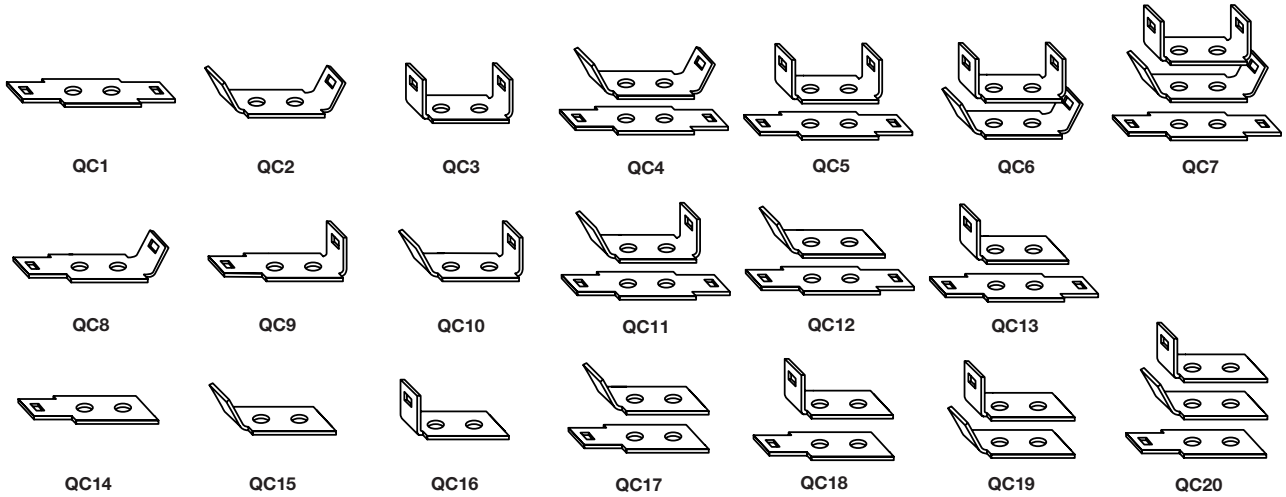
**BS**  
Brass SEMS  
Philslot Nickel Plated



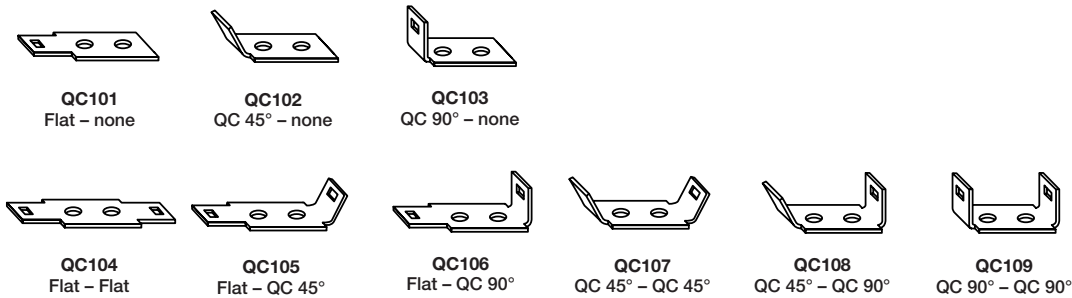
**SP**  
Steel SEMS  
Philslot Zinc Plated

**Hardware Options**

**Quick Connects – Assembled** Terminals .187" x .020". Max. current rating 13 Amps. For other orientations, contact factory.



**Quick Connects – Bulk** Min. order per part no. – 100 pieces.



**Jumpers – Bulk** .020" thick tin plated brass. Min. order per part no. – 100 pieces. Contact factory for jumper assembly.



## Series TB200 & TB200HB

### Double Row Terminal Blocks

#### SPECIFICATIONS

**Rating:** TB200 – 20A, 300V\*

TB200HB – 20A, 600V\*

**Center Spacing:** .437" (11.10 mm)

**Wire Size:** #12 - 22 AWG CU

**Screw Size:** #6-32 zinc plated phillslot screws

**Torque Rating:** Max. torque for #6 screws - 9 in/lb.

**Distance Between Barriers:** .353" (8.97 mm)

**Mounting:** #6 screws

**Materials:** Molded base: Black, UL rated 94V-0 thermoplastic

Terminal plating: Tin over brass; Screws: Zinc plated steel

finished with a clear chromate and special coating to inhibit rust

Hardware: Tin over brass

**Operating Temperature:** 260°F (130°C) max., -40°F (-40°C) min.

**Creepage Paths:** Terminal-to-terminal .400" (10.16 mm);

Terminal-to-mounting surface .375" (9.52 mm)

**Breakdown Voltage:** 4800V rms

**Approvals:** UL E62622; CSA LR15364; IEC Compliance; CE Pending

\* Max. rating shown; some options may be rated lower - consult factory.



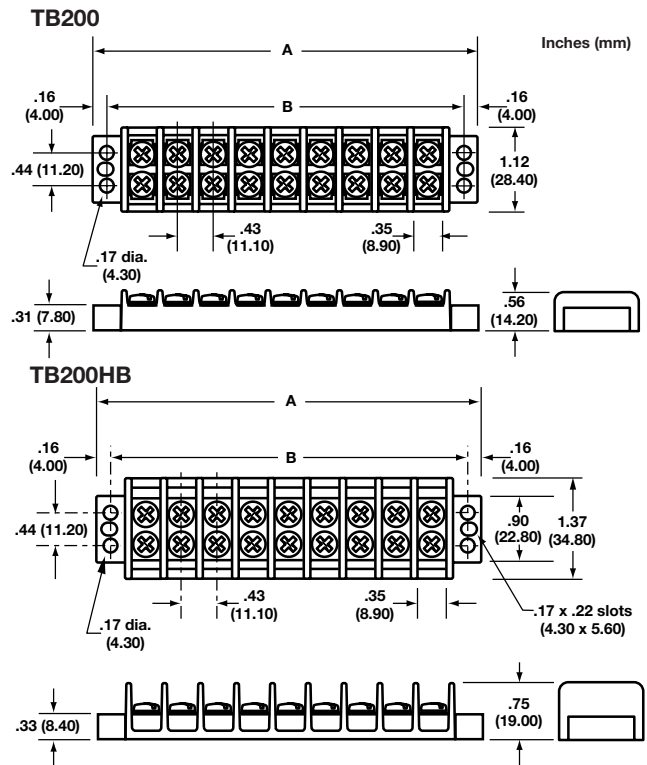
TB200HB



TB200

Poles	A	B	Poles	A	B	Poles	A	B
02	1.63	1.31	12	6.00	5.68	22	10.37	10.06
03	2.07	1.75	13	6.44	6.12	23	10.81	10.50
04	2.51	2.18	14	6.87	6.56	24	11.25	10.93
05	2.94	2.62	15	7.31	7.00	25	11.68	11.37
06	3.38	3.06	16	7.75	7.43	26	12.12	11.81
07	3.82	3.50	17	8.19	7.87	27	12.56	12.25
08	4.25	3.93	18	8.62	8.31	28	13.00	12.68
09	4.69	4.37	19	9.06	8.75	29	13.44	13.12
10	5.13	4.81	20	9.50	9.18	30	13.87	13.56
11	5.57	5.25	21	9.94	9.62			

\* Dimensions in inches. To convert to millimeters, multiply by 25.4.



## Part Numbering System

#### Series



200  
200HB

#### Poles



02 to 30

#### Screw Options



**Blank** - std. screws

**00** - screws shipped bulk

**B** - brass phillslot, nickel plated

**BS** - brass Sems phillslot, zinc plated

**SP** - steel Sems phillslot, zinc plated

#### Marking



**L1 to L6** - std. marking

Marker strips (pg 23)

Covers (pg 22)

#### Hardware Options



**QC1 to QC20** - quick connects

BIF document: 1423



## Screw Options



**B**  
Brass Philslot  
Nickel Plated



**BS**  
Brass SEMS  
Philslot Zinc Plated



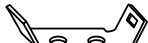
**SP**  
Steel SEMS  
Philslot Zinc Plated

## Hardware Options

**Quick Connects – Assembled** Terminals .250" x .031". Max. current rating 24 Amps. For other orientations, contact factory.



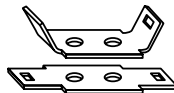
QC1



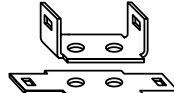
QC2



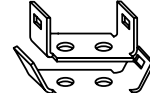
QC3



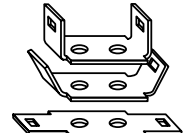
QC4



QC5



QC6



QC7



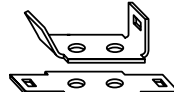
QC8



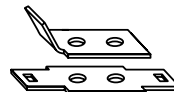
QC9



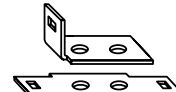
QC10



QC11



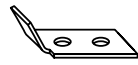
QC12



QC13



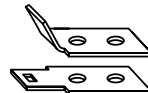
QC14



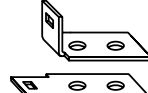
QC15



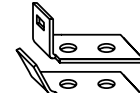
QC16



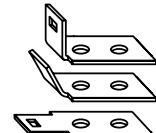
QC17



QC18

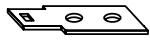


QC19



QC20

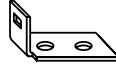
**Quick Connects – Bulk** Min. order per part no. – 100 pieces.



**QC201**  
Flat – none



**QC202**  
QC 45° – none



**QC203**  
QC 90° – none



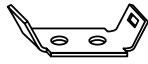
**QC204**  
Flat – Flat



**QC205**  
Flat – QC 45°



**QC206**  
Flat – QC 90°



**QC207**  
QC 45° – QC 45°



**QC208**  
QC 45° – QC 90°

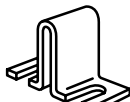


**QC209**  
QC 90° – QC 90°

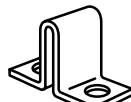
**Jumpers – Bulk** .020" thick tin plated brass. Min. order per part no. – 100 pieces. Contact factory for jumper assembly.



**J201**  
Flat slip-on  
(Not available  
on TB200HB)



**OJ3**  
Slip-on over barrier



**OJ7**  
Closed over barrier



# Series TB300 & TB345

## Double Row Terminal Blocks

### SPECIFICATIONS

- Rating:** TB300 – 30A, 600V\*  
TB345 – 45A, 600V\*
- Center Spacing:** .562" (14.28 mm).
- Wire Size:** #10 - 22 AWG CU
- Screw Size:** TB300 – #8-32 zinc plated philslot screws  
TB345 – #10-32 zinc plated philslot screws
- Torque Rating:** Max. torque for #8 screws - 16 in/lb;  
#10 screws - 20 in/lb.
- Distance Between Barriers:** .412" (10.46 mm)
- Mounting:** #10 screws
- Material:** Molded base: Black, UL rated 94V-0 thermoplastic  
Terminal plating: Tin over brass; Screws: Zinc plated steel  
finished with a clear chromate and special coating to inhibit rust  
Hardware: Tin over brass
- Operating Temperature:** 260°F (130°C) max., -40°F (-40°C) min.
- Creepage Paths:** Terminal-to-terminal .500" (12.70 mm);  
Terminal-to-mounting surface .450" (11.43 mm)
- Breakdown Voltage:** 7500V rms
- Approvals:** UL E62622; CSA LR15364; IEC Compliance; CE Pending

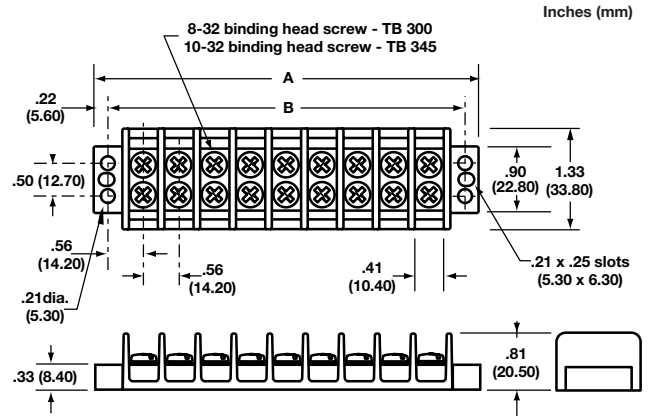
\* Max. rating shown; some options may be rated lower - consult factory.



Poles	A	B	Poles	A	B	Poles	A	B
02	2.13	1.69	10	6.62	6.19	18	11.12	10.68
03	2.69	2.25	11	7.18	6.75	19	11.68	11.25
04	3.25	2.81	12	7.75	7.31	20	12.24	11.81
05	3.81	3.37	13	8.31	7.87	21	12.80	12.37
06	4.37	3.94	14	8.87	8.44	22	13.37	12.93
07	4.94	4.50	15	9.43	9.00	23	13.93	13.50
08	5.50	5.06	16	9.99	9.56	24	14.49	14.06
09	6.06	5.62	17	10.56	10.12			

\* Dimensions in inches. To convert to millimeters, multiply by 25.4.

### TB300 & TB345



## Part Numbering System

<p><b>Series</b></p> <p><b>T B</b> [ ] [ ] [ ]</p> <p>300 345</p>	<p><b>Poles</b></p> <p>[ ] [ ]</p> <p>02 to 24</p>	<p><b>Screw Options</b></p> <p>[ ] [ ]</p> <p><b>Blank</b> - std. screws <b>00</b> - screws shipped bulk <b>B</b> - brass philslot, nickel plated <b>BS</b> - brass Sems philslot, zinc plated (TB300 only) <b>SP</b> - steel Sems philslot, zinc plated</p>	<p><b>Marking</b></p> <p>[ ] [ ]</p> <p><b>L1 to L6</b> - std. marking Marker strips (pg 23) Covers (pg 22)</p>	<p><b>Hardware Options</b></p> <p>[ ] [ ] [ ] [ ]</p> <p><b>QC1 to QC20</b> - quick connects (TB300 only)</p>
---	--	--	---	---

BIF document: 1424



## Screw Options



**B**  
Brass Philslot  
Nickel Plated



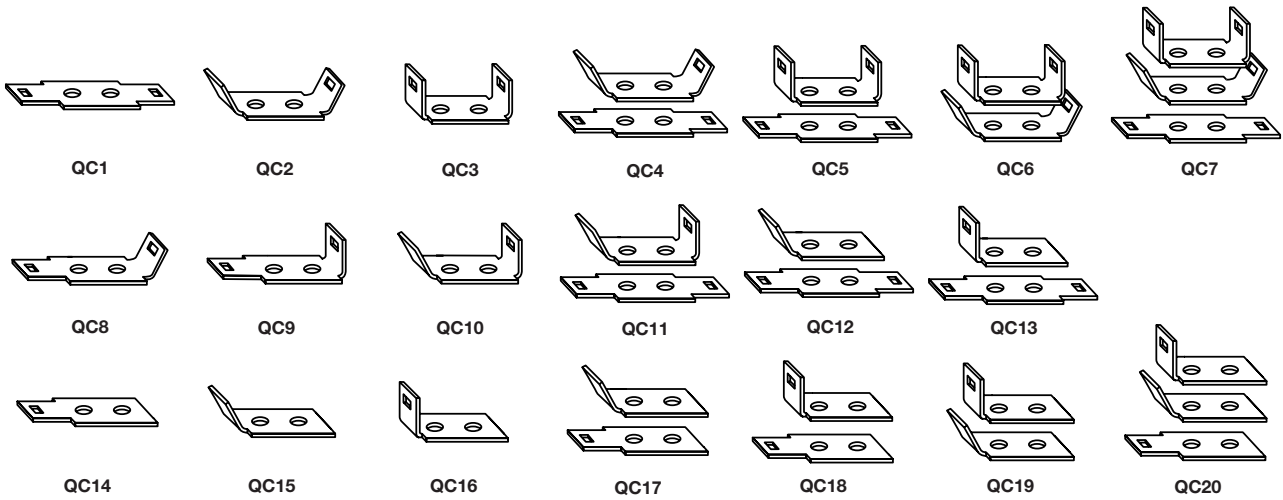
**BS**  
Brass SEMS  
Philslot Zinc Plated



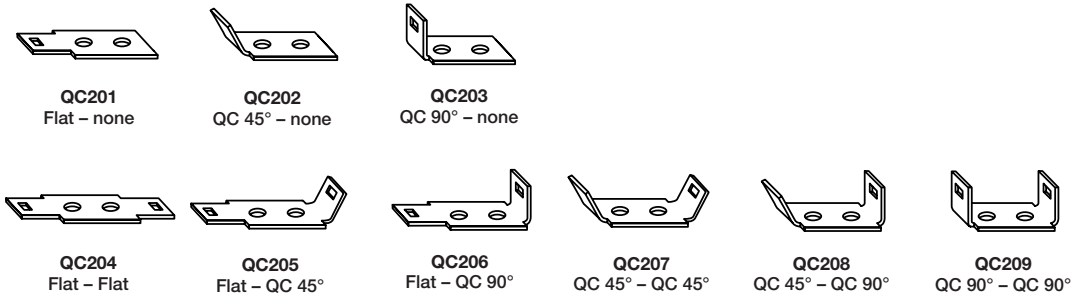
**SP**  
Steel SEMS  
Philslot Zinc Plated

## Hardware Options

**Quick Connects – Assembled \*TB300 only.** Terminals .250" x .031". Max. current rating 24 Amps. For other orientations, contact factory.



**Quick Connects – Bulk \*TB300 only.** Min. order per part no. – 100 pieces.



**Jumpers – Bulk .020" thick tin plated brass.** Min. order per part no. – 100 pieces. Contact factory for jumper assembly.



## Series TB400

### Double Row Terminal Blocks

#### SPECIFICATIONS

**Rating:** 75A, 600V\*

\* 30A max. with #10 AWG; 75A max. achieved with #4 AWG wire crimped to ring terminal.

**Center Spacing:** .687" (17.45 mm)

**Wire Size:** #10 - 14 AWG CU

**Screw Size:** #10-32 zinc plated phillslot screws

**Torque Rating:** Max. torque for #10 screw - 20 in/lb.

**Distance Between Barriers:** .562" (14.27 mm)

**Mounting:** #10 screws

**Material:** Molded base: Black, UL rated 94V-0 thermoplastic

Terminal plating: Tin over brass; Screws: Zinc plated steel

finished with a clear chromate and special coating to inhibit rust

**Operating Temperature:** 260°F (130°C) max., -40°F (-40°C) min.

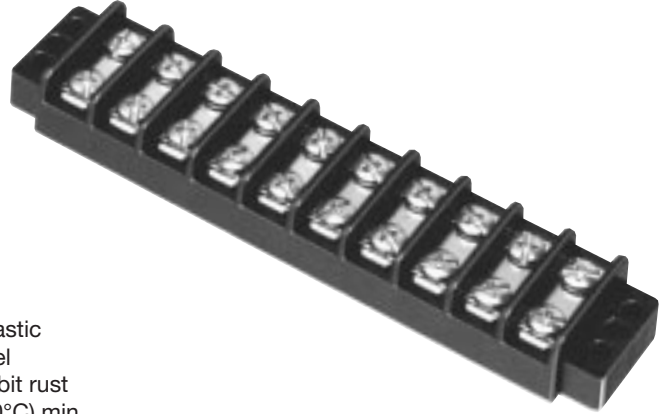
**Creepage Paths:** Terminal-to-terminal .598" (15.19 mm);

Terminal-to-mounting surface .542" (13.77 mm)

**Breakdown Voltage:** 7500V rms

**Approvals:** UL E62622; CSA LR15364; IEC Compliance; CE Pending

\* 75A max achieved with #4 AWG wire crimped to ring terminal;  
30A max. with #10 AWG.

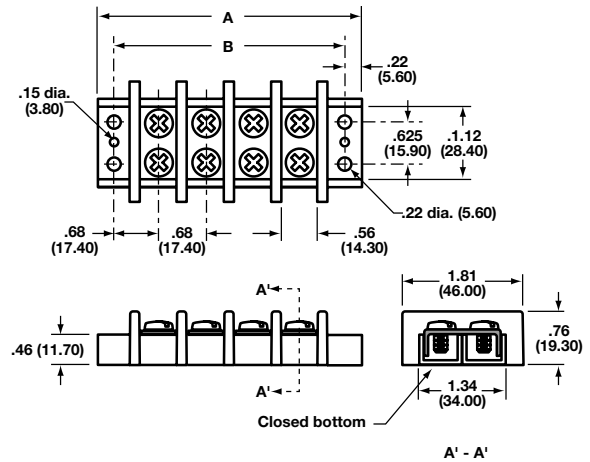


Poles	A	B	Poles	A	B	Poles	A	B
02	2.51	2.06	06	5.26	4.81	10	8.01	7.56
03	3.20	2.75	07	5.95	5.50	11	8.70	8.25
04	3.89	3.44	08	6.64	6.19	12	9.39	8.94
05	4.58	4.13	09	7.33	6.88			

\* Dimensions in inches. To convert to millimeters, multiply by 25.4.

TB400

Inches (mm)



## Screw Options



B

Brass Phillslot  
Nickel Plated

## Part Numbering System

Series

T B 4 0 0

Poles

□ □

02 to 12

Screw Options

□ □

Blank - std. screws  
00 - screws shipped bulk  
B - brass phillslot, nickel plated

Marking

Not available

Hardware Options

Not available

BIF document: 1425



# All Series Marking Options & Accessories

## Double Row Terminal Blocks



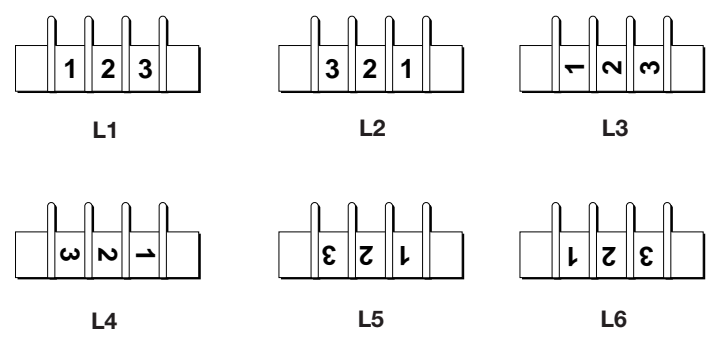
### Marking Options

#### Standard Marking

Standard markings are applied directly to the side(s) of a block. Standard color is white. Standard height is .125".

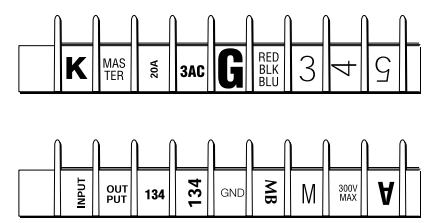
Note: Blocks marked on both sides require a different code for each side. Example Style L1 on one side of the block requires Style L2 on the other side to ensure common terminal marking. To order, add appropriate suffix (L1, L2, L3, L4, L5 and/or L6) to block part number in the proper sequence.

Note: Not available on TB400 Series



#### Special Marking

Special markings are available at an additional charge for preparation. Production charges for setup, handling and marking are the same as for standard marking. Drawing(s) must be submitted to ensure accuracy of part required. Consult factory for price and delivery.

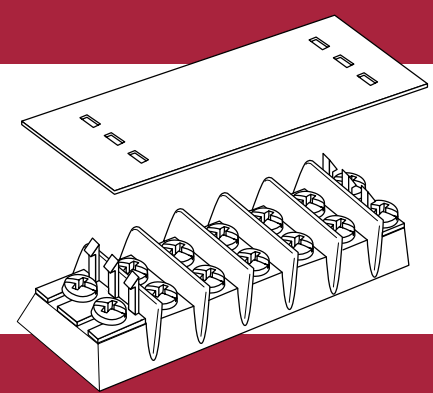


### Covers

Covers prevent personnel, screws and foreign items from contacting live terminals. Available in white or clear plastic. Two cover clips supplied with each cover. Cover width is 1.31 inches.

All covers must be ordered separately. Consult factory for special legends.

Example: 10 position cover, white, TB100 Series, no legends . . . Part # is X12010.



### Part Numbering System

<p><b>Series</b></p>	<p><b>Cover Strip</b></p> <p>120 - TB100/white                  119 - TB100/clear                  220 - TB200 &amp; TB200HB* - white                  219 - TB200 &amp; TB200HB* - clear                  320 - TB300 &amp; TB345 - white                  319 - TB300 &amp; TB345 - clear</p>	<p><b>Poles</b></p> <p>02 to 36 (TB100)                  02 to 30 (TB200/TB200HB)                  02 to 24 (TB300/TB345)</p>	<p><b>Cover Clips – Bulk</b></p> <p>Part Number                  DD1 – TB100 Series                  DD2 – TB200 Series                  DD2HB – TB200HB Series                  DD3 – TB300 Series</p>
----------------------	---	---	---

Note: Not available on TB400 Series.  
 \* For use on TB200HB, specify HB after Part No. i.e., X21902HB



## Top & Bottom Marking Strips

### Double Row Terminal Blocks

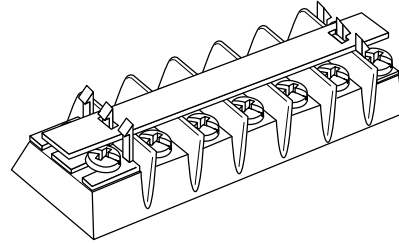
#### Top Marker Strips

Top mounting marker strips are available in white (opaque) plastic. Two cover clips are supplied with each marker strip.

All top marker strips must be ordered separately. Consult factory for special legends.

Example: 12 position cover, TB200, .032" x .312", with no legends . . . Part # is X20312.

Example: 12 position cover, TB200HB, .060" x .500", with no legends . . . Part # is X23312HB.



### Part Numbering System

#### Series



#### Top Marker Strip



- 133** - TB100 (.060 thk x .500w)
- 103** - TB100 (.032 thk x .312w)
- 233** - TB200 & TB200HB\* (.060 thk x .500w)
- 203** - TB200 & TB200HB\* (.032 thk x .312w)
- 333** - TB300 & TB345 (.060 thk x .500w)
- 303** - TB300 & TB345 (.032 thk x .380w)

#### Poles



- 02 to 36** (TB100)
- 02 to 30** (TB200/TB200HB)\*
- 02 to 24** (TB300/TB345)

Note: Not available on TB400 Series.  
\* For use on TB200HB, specify HB after Part No. i.e., X23302HB

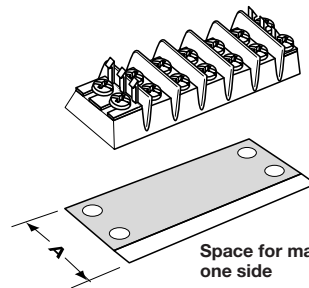
#### Bottom Marker Strips

Bottom mounting marker strips are made of black PVC, .030" thick. Space is available to handle most marking situations. All marker strips must be ordered separately.

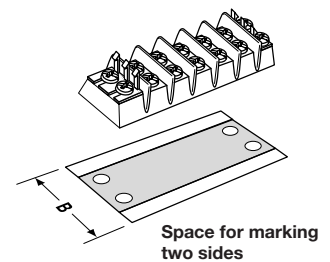
To order, specify part number, required legends and (BF) bottom forward, (BR) bottom reverse, (TF) top forward, or (TR) top reverse. Consult factory for specials.

Example: 13 position strip, TB100 with no legends, space for marking one side . . . Part # is X10513.

Position for legends (one side, two sides) can be specified standard. Standard legend height is .125". Standard legends are 0-99. Special legends are available on special order. Drawing(s) must be submitted to ensure accuracy of part required.



Space for marking one side



Space for marking two sides

### Part Numbering System

#### Series



#### Bottom Marker Strip



- 105** - TB100 - marking one side
- 101** - TB100 - marking both sides
- 205** - TB200 - marking one side
- 201** - TB200 - marking both sides
- 295** - TB200HB - marking one side
- 291** - TB200HB - marking both sides
- 305** - TB300 & TB345 - marking one side
- 301** - TB300 & TB345 - marking both sides

#### Poles



- 02 to 36** (TB100)
- 02 to 30** (TB200/TB200HB)
- 02 to 24** (TB300/TB345)

#### Orientation



- BF** - bottom forward
- BR** - bottom reverse
- TF** - top forward
- TR** - top reverse

Note: Not available on TB400 Series.

BIF document: 1427





**Power Blocks**  
Series 11675 & 11725

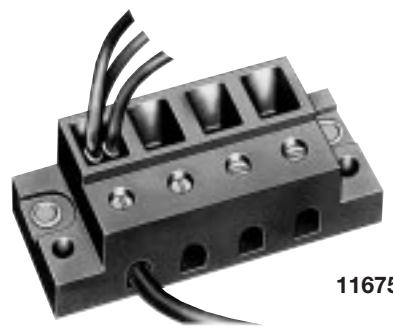


**Quick-Connect Power Distribution Blocks** Inches (Millimeters)

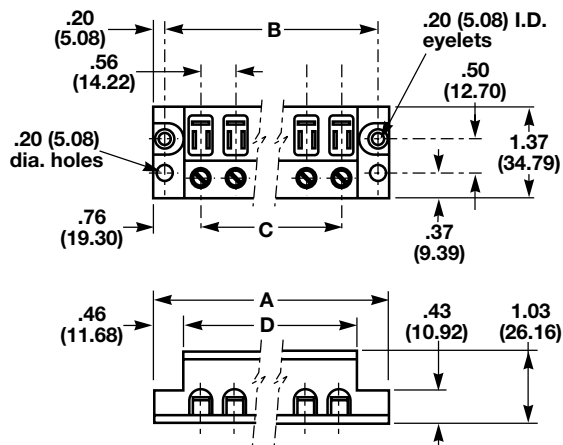
Series 11675

**SPECIFICATIONS**

- Ratings:** 40A, 250V; UL/CSA
- Poles:** 2 to 6 poles with (3) .250" quick-connect terminals per pole.
- Input wire sizes:** #8 – #14 CU
- Torque rating:** 18 in/lb max.
- Operating temperature:** 150°C
- Design:** Screw connections for field wiring. Quick connects reduce cost of internal wiring.
- Agency approvals:** UL E62622; CSA LR15364; CE Pending



11675-4

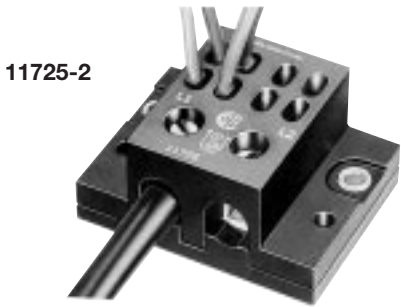


Part Number	A	B	C	D
11675-2	2.09	1.68	.56	1.15
11675-3	2.66	2.25	1.12	1.71
11675-4	3.22	2.81	1.68	2.28
11675-5	3.78	3.37	2.25	2.84
11675-6	4.34	3.93	2.81	3.40

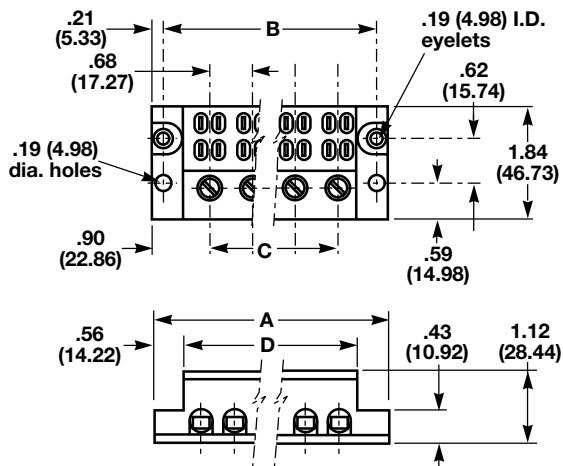
Series 11725

**SPECIFICATIONS**

- Ratings:** 70A, 600V; UL/CSA
- Poles:** 2, 3 or 4 poles with (4) .250" quick-connect terminals per pole.
- Input wire sizes:** #2 – #14 CU/#8 AL
- Torque rating:** 45 in/lb max.
- Operating temperature:** 150°C
- Design:** Screw connections for field wiring. Quick connects reduce cost of internal wiring.
- Agency approvals:** UL E62622; CSA LR15364; CE Pending



11725-2



Part Number	A	B	C	D
11725-2	2.50	2.06	.68	1.37
11725-3	3.18	2.75	1.37	2.06
11725-4	3.87	3.43	2.06	2.75



## Barrier & Dead Front Terminal Blocks

Series 14002 & 14004

### Barrier Terminal Blocks

Inches (Millimeters)

#### Series 14002

##### SPECIFICATIONS

**Ratings:** 115A, 600V; UL/CSA

**Poles:** 2 to 6 poles

**Wire sizes:** #2 – #14 CU/#8 AL

**Operating temperature:** 150°C

**Marking:** Marking strip optional, consult factory.

**Options:** CP = Pressure plate, rated 60A, 600V

Q = Quick-Connect, rated 50A, 600V

**To order options, enter letter code**

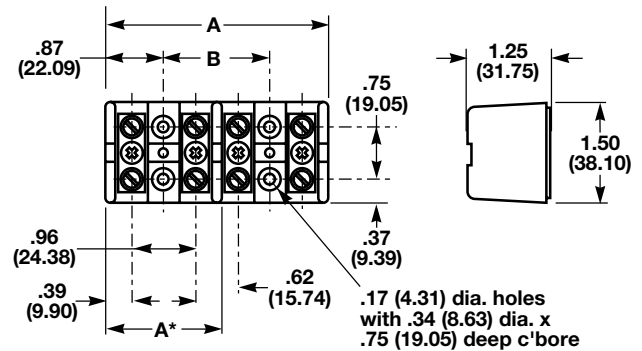
**in front of Part No.:** ie; CP14002-2

**Agency approvals:** UL E62622; CSA LR15364;

CE Pending



14002-2



Part Number	A	B
14002-2	1.75	—
14002-3	2.37	—
14002-4	3.34	1.59
14002-5	3.96	2.21
14002-6	4.59	2.84

Note: "A" dimension for 14002-2 & 14002-3 only.  
(14002-2 & 14002-3 have only two mounting holes.)

### Dead Front Terminal Blocks

Inches (Millimeters)

#### Series 14004

##### SPECIFICATIONS

**Ratings:** 90A, 600V; UL/CSA

**Poles:** 2 to 12 poles

**Wire sizes:** #4 – #14 CU/#8AL

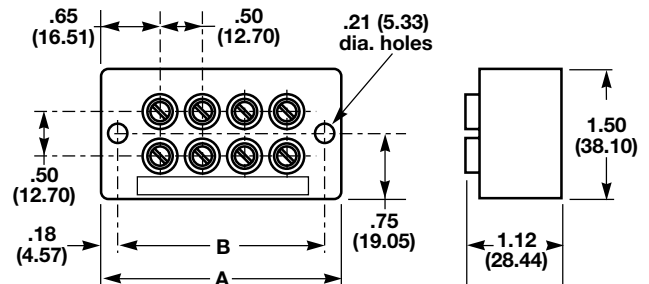
**Operating temperature:** 75°C

**Marking:** Marking strip optional, consult factory.

**Agency approvals:** UL E62622; CSA LR15364



14004-4



Part Number	A	B
14004-2	1.81	1.43
14004-3	2.31	1.93
14004-4	2.81	2.43
14004-5	3.31	2.93
14004-6	3.81	3.43
14004-7	4.31	3.93
14004-8	4.81	4.93
14004-9	5.31	4.93
14004-10	5.81	5.43
14004-11	6.31	5.93
14004-12	6.81	6.43

BIF document: 1429



**Splicer Terminal Blocks**

Inches (Millimeters)

Series 160, 162, 163 & 165

**SPECIFICATIONS**

**Ratings:** To 620A, 600V; UL/CSA. See table.

**Materials:** Molded material: Black, UL rated 94V-0 thermoplastic

**Operating Temperature:** 150°C

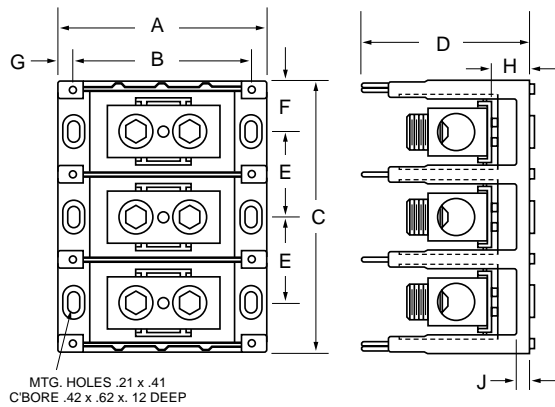
**Marking:** Marker strip is optional, consult factory.

**Agency approvals:** UL E62622 General Industrial Class per UL 1059; CSA LR15364; CE Pending

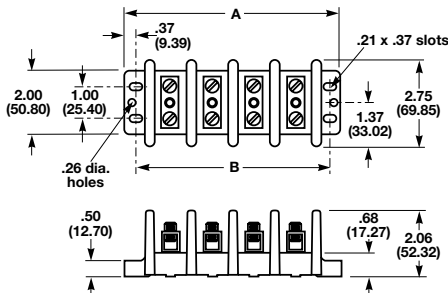


Part Number	Line Connection	Load Connection	Connector Material & Ampacity	Agency Approvals
*16000	2/0-#8CU-AL	2/0-#8 CU-AL	AL-175A	UL -
*16003	250MCM-#6CU	250MCM-#6CU	CU-255A	UL -
*16005	350MCM-#6CU-AL	350MCM-#6CU-AL	AL-310A	UL -
16200	#2-#14CU/#8AL	#2-#14CU/#8AL	AL-115A	UL CSA
16201	1/0-#14CU	1/0-#14CU	CU-150A	UL CSA
16204	2/0-#8CU-AL	2/0-#8CU-AL	AL-175A	UL CSA
16301	250MCM-#6CU	250MCM-#6CU	CU-255A	UL CSA
16303	350MCM-#6CU-AL	350MCM-#6CU-AL	AL-310A	UL CSA
16306	500MCM-#6CU-AL	500MCM-#6CU-AL	AL-380A	UL CSA
16500	(2)350MCM-#4CU-AL	(2)350MCM-#4CU-AL	AL-620A	UL CSA
16504	(2)500MCM-#6CU-AL	(2)500MCM-#6CU-AL	AL-760A	UL CSA

\* 160 Series Bases have mounting holes outside the barriers. Other bases (162 through 165) have mounting holes within barriers. See dimensional drawings.

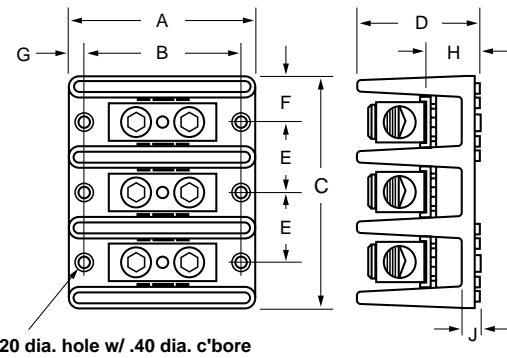


Series 163 (1, 2, & 3-pole available)



Series 160 (2, 3, & 4-pole available)

No. of Poles	A	B
2	4.12	3.62
3	5.37	4.87
4	6.62	6.12



Series 162 & 165 (1, 2, & 3-pole available)

Series	A	B	C			J
			1-pole	2-pole	3-pole	
162	2.87	2.25	1.06	1.87	2.68	
163	4.00	3.37	1.96	3.58	5.20	
165	5.50	4.75	3.12	5.81	8.50	
Series	D	E	F	G	H	J
162	1.75	.81	.53	.31	.84	.31
163	3.32	1.62	.97	.31	.87	.35
165	3.12	2.68	1.56	.37	1.37	.62

BIF document: 1430



For complete specification data, call Bussmann Information Fax ~ 314.527.1450

# Power Blocks

## Power Distribution Blocks

Inches (Millimeters)

Series 160, 162, 163 & 165

### SPECIFICATIONS

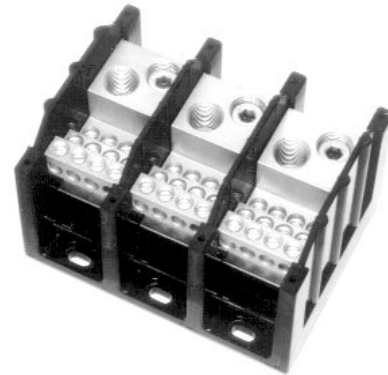
**Ratings:** To 840A, 600V; UL/CSA. See table.

**Materials:** Molded material: Black, UL rated 94V-0 thermoplastic

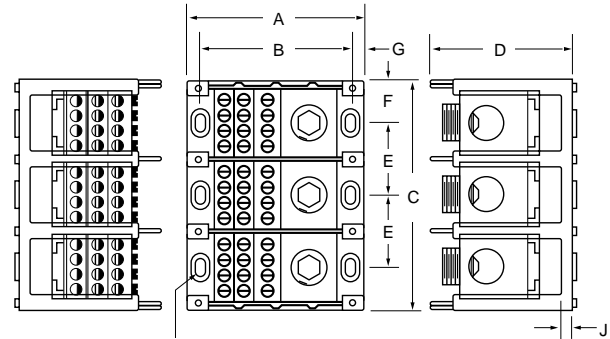
**Operating Temperature:** 150°C

**Marking:** Marker strip is optional; consult factory.

**Agency approvals:** UL E62622 General Industrial Class per UL 1059; CSA LR15364; CE Pending



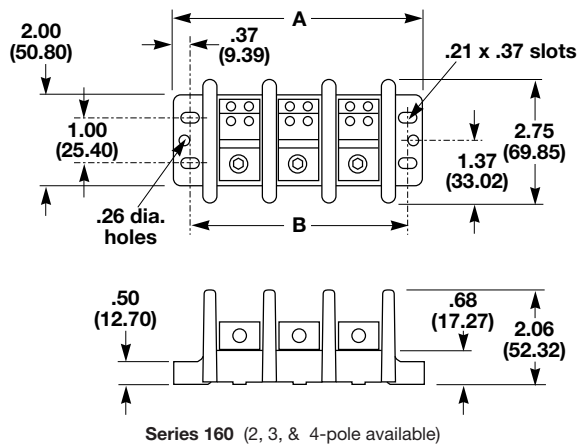
Part Number	Line Connection	Load Connection	Connector Material & Ampacity	Agency Approvals
*16021	2/0-#14CU/#8AL	<sup>(6)</sup> #4-#14CU/#8AL	AL-175A	UL CSA
*16023	350MCM-#6CU-AL	<sup>(6)</sup> #4-#14CU/#8AL	AL-310A	UL CSA
16220	2/0-#14CU/#8AL	<sup>(4)</sup> #4-#14CU/#8AL	AL-175A	UL CSA
16321	2/0-#14CU-AL	<sup>(6)</sup> #4-#14CU/#8AL	AL-175A	UL CSA
16323	350MCM-#6CU-AL	<sup>(6)</sup> #4-#14CU/#8AL	AL-310A	UL CSA
16325	<sup>(2)</sup> 2/0-#14CU/#8AL	<sup>(6)</sup> #4-#14CU/#8AL	AL-350A	UL CSA
16330	500MCM-#6CU-AL	<sup>(6)</sup> #2-#14CU/#8AL	AL-380A	UL CSA
16332	350MCM-#6CU-AL	<sup>(3)</sup> #2-#14CU/#8AL & <sup>(2)</sup> 1/0-#14CU/#8AL	AL-310A	UL CSA
16335	500MCM-#6CU-AL	<sup>(3)</sup> #2-#14CU/#8AL & <sup>(2)</sup> 1/0-#14CU/#8AL	AL-380A	UL CSA
16370	350MCM-#6CU-AL	<sup>(12)</sup> #4-#14CU/#8AL	AL-310A	UL CSA
16371	350MCM-#6CU-AL	<sup>(6)</sup> #2-#14CU/#8AL	AL-310A	UL CSA
16372	350MCM-#6CU-AL	<sup>(21)</sup> #10-#14CU/#10AL	AL-310A	UL CSA
16373	350MCM-#6CU-AL	<sup>(3)</sup> 1/0-#14CU/#8AL	AL-310A	UL CSA
16375	600MCM-#2CU-AL	<sup>(14)</sup> #10-#14CU/#8AL	AL-420A	UL CSA
16376	600MCM-#2CU-AL	<sup>(2)</sup> #4-#14CU/#8AL	AL-420A	UL CSA
16377	<sup>(2)</sup> 300MCM-#2CU-AL	<sup>(12)</sup> #4-#14CU/#8AL	AL-570A	UL -
16528	<sup>(2)</sup> 600MCM-#2CU-AL	<sup>(4)</sup> 3/0-#8CU-AL	AL-840A	UL CSA
16530	<sup>(2)</sup> 500MCM-#6CU-AL	<sup>(3)</sup> 1/0-#14CU-8AL & <sup>(4)</sup> #4-#14CU/#8AL	AL-760A	UL CSA



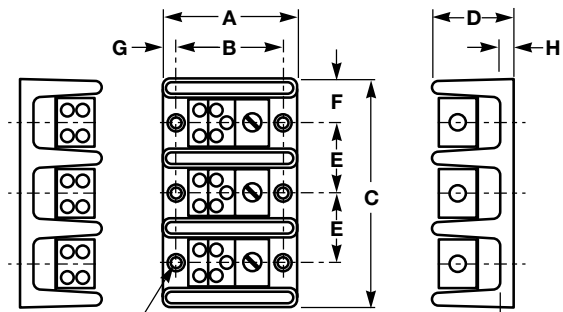
MTG. HOLES .21 x .41  
CBORE .42 x .62 x .12 DEEP

Series 163 (1, 2, & 3-pole available)

\* 160 Series Bases have mounting holes outside the barriers. Other bases (162 through 165) have mounting holes within barriers. See dimensional drawings.



Series 160 (2, 3, & 4-pole available)



20. dia. hole w/ .40 dia. c'bore  
Series 162 & 165 (1, 2, & 3-pole available)

No. of Poles	A	B
2	4.12	3.62
3	5.37	4.87
4	6.62	6.12

Series	A	B	C			J
			1-pole	2-pole	3-pole	
162	2.87	2.25	1.06	1.87	2.68	
163	4.00	3.37	1.96	3.58	5.20	
165	5.50	4.75	3.12	5.81	8.50	
Series	D	E	F	G	H	J
162	1.75	.81	.53	.31	.84	.31
163	3.32	1.62	.97	.31	.87	.35
165	3.12	2.68	1.56	.37	1.37	.62

BIF document: 1431



# Power Blocks

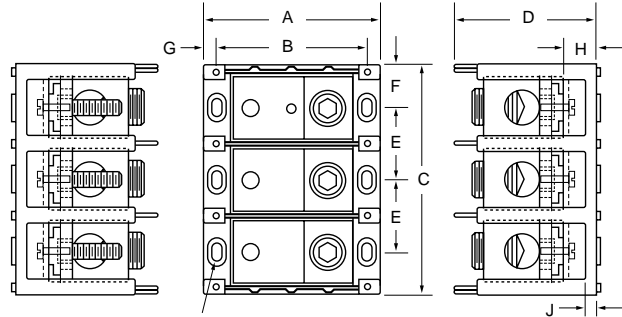


## Connector/Stud Power Distribution Blocks Inches (Millimeters)

### Series 162, 163 & 165

#### SPECIFICATIONS

- Ratings:** To 760A, 600V; UL/CSA. See table.
- Materials:** Molded material: Black, UL rated 94V-0 thermoplastic
- Operating Temperature:** 150°C
- Agency approvals:** UL E62622 General Industrial Class per UL 1059. CSA LR15364; CE Pending.



MTG. HOLES .21 x .41  
C'BORE .42 x .62 x .12 DEEP

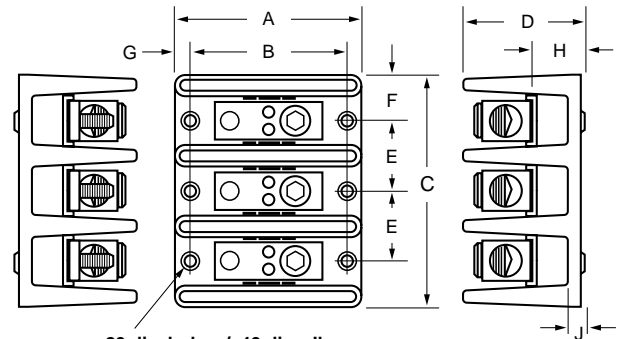
Series 163 (1, 2, & 3-pole available)

Part Number	Line Connection	Load Connection	Connector Material & Ampacity	Agency Approvals
<b>Connector to Stud</b>				
16280	2/0-#14CU/#8AL	1/4-20x1/2 Stud	AL-175A	UL CSA
16281	2/0-#14CU/#8AL	1/4-20 Tapped hole	AL-175A	UL CSA
16378	500MCM-#6CU-AL	(2)1/4-20x1 Stud	AL-380A	UL CSA
16383	500MCM-#6CU-AL	(1)3/8-16x1 1/4 Stud	AL-380A	UL CSA
16582	(2)500MCM-#6CU-AL	(2)3/8-16x1 1/8 Stud	AL-760A	UL CSA
<b>Stud to Stud</b>				
16390	3/8-16x1 1/8 Stud	3/8-16x1 1/8 Stud	CU-250A	UL CSA
16394	1/2-13x1 1/8 Stud	1/2-13x1 1/8 Stud	CU-400A	UL CSA
16395	3/8-16x1 1/8 Stud	(2)1/4-20x1 1/8 Stud	CU-310A	UL CSA
16591	3/8-16x1 1/8 Stud	(2)3/8-16x1 1/8 Stud	CU-400A	UL -
16593	1/2-13x1 Stud	1/2-13x1 Stud	CU-600A	UL CSA

### New Option Available on 163 Series Power Blocks

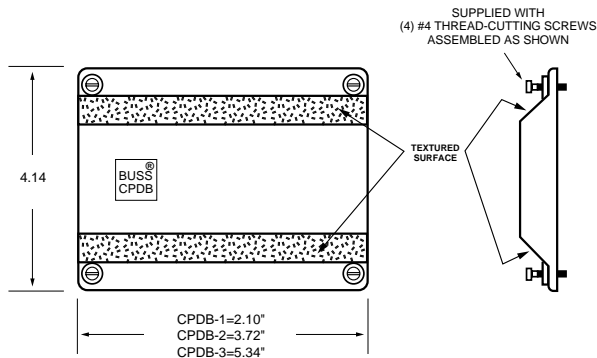
#### PROTECTIVE COVER TO GUARD AGAINST ACCIDENTAL CONTACT

- Clear with write on surface for field termination identification.
- Available in 1, 2, & 3 poles.



.20 dia. hole w/ .40 dia. c'bore

Series 162 & 165 (1, 2, & 3-pole available)



Series	A	B	C 1-pole	C 2-pole	C 3-pole	
162	2.87	2.25	1.06	1.87	2.68	
163	4.00	3.37	1.96	3.58	5.20	
165	5.50	4.75	3.12	5.81	8.50	
Series	D	E	F	G	H	J
162	1.75	.81	.53	.31	.84	.31
163	3.32	1.62	.97	.31	.87	.35
165	3.12	2.68	1.56	.37	1.37	.62

BIF document: 1432



For complete specification data, call Bussmann Information Fax ~ 314.527.1450

## Power Blocks

### Series EN

**Series EN** 1.78" Centers

Inches (Millimeters)

#### SPECIFICATIONS

**Ratings:** 285A, 600V; UL/CSA

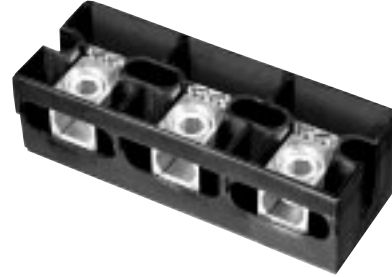
**Line connector:** #300MCM-#6 CU/AL

**Load connection:** (6)#6-#14 CU/#8 AL

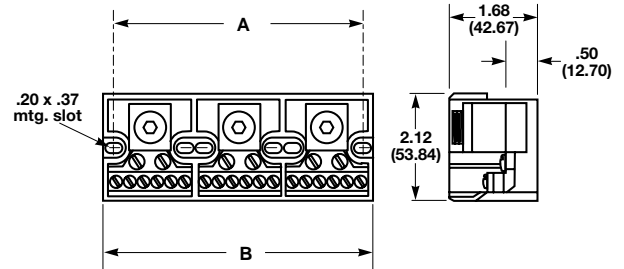
**Material:** Molded material; Black, UL rated 94V-2 thermoplastic

**Operating temperature:** 125°C

**Agency approvals:** UL E62622; CSA LR15364;  
CE Pending



Series	A	B
EN61	1.38	1.78
EN62	3.15	3.62
EN63	4.93	5.37

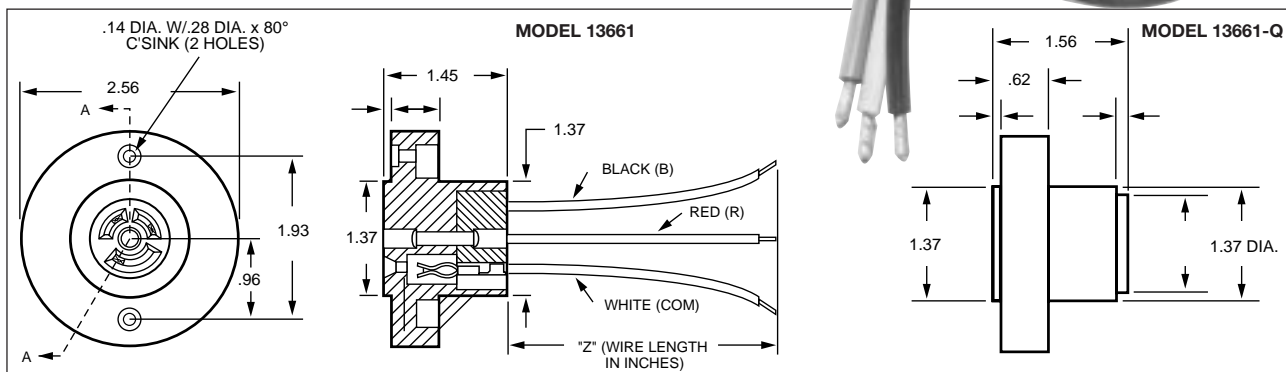


BIF document: 1433

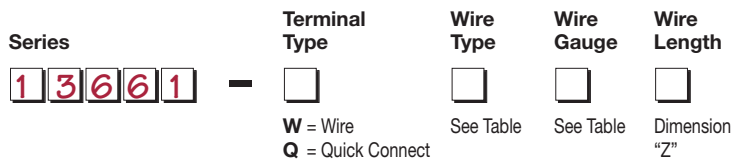


**Photo Control Receptacle Series**

- 3-pole, 3-wire receptacles for plug-in, locking type photo controls used in outdoor areas and roadway lighting.
- Receptacle configuration, terminals and limiting dimensions are in accordance with Figure 3 of EE Pub. No. TDJ-146, NEMA Pub. No. SH 16-1962 and UL 773.
- Wire types and sizes ranging from #12 AWG through 16 AWG rated at 600V with temperature ratings from 105° to 200°C.
- Hook-up wires are an integral part of the assembly with lengths furnished to customer specification.
- Available with .250 quick-connect terminals in lieu of wire leads (13661-Q).
- UL recognized under file E65288 for a rating of 1 KW or 1800VA for potentials up to 480V.
- CSA certified under file LR21295 for 15 amps at 125V.
- CE Pending.



**Part Numbering System**



ASS'Y NO.	WIRE DESCRIPTION
13661-W1XX	Min. of 26 Strands, Copper Conductor, 125°C-600V Crosslinked Polyethylene.
13661-W2XX	Min. of 26 Strands, Copper Conductor, Silicone Rubber Insulation And Fiber Glass Braid Jacket, Nec. Type SFF-2(150°C)
13661-W3XX	Min. Of 26 Strands, Copper Conductor, Type TW, 105°C-600V Insulation (16 gauge only).
13661-W4XX	Min. of 7 Strands, Copper Conductor Of .0192 Silicone Rubber Insulation And Fiber Glass Braid Jacket, Nec. Type SF-2 (200°C)
13661-W5XX	Min. Of 19 Strands, Copper Conductor, Type AWM. 105°C-600V Insulation.

ASS'Y NO.	GAUGE
13661-WX2X	12 Gauge
13661-WX4X	14 Gauge
13661-WX6X	16 Gauge



# Disconnect Blocks

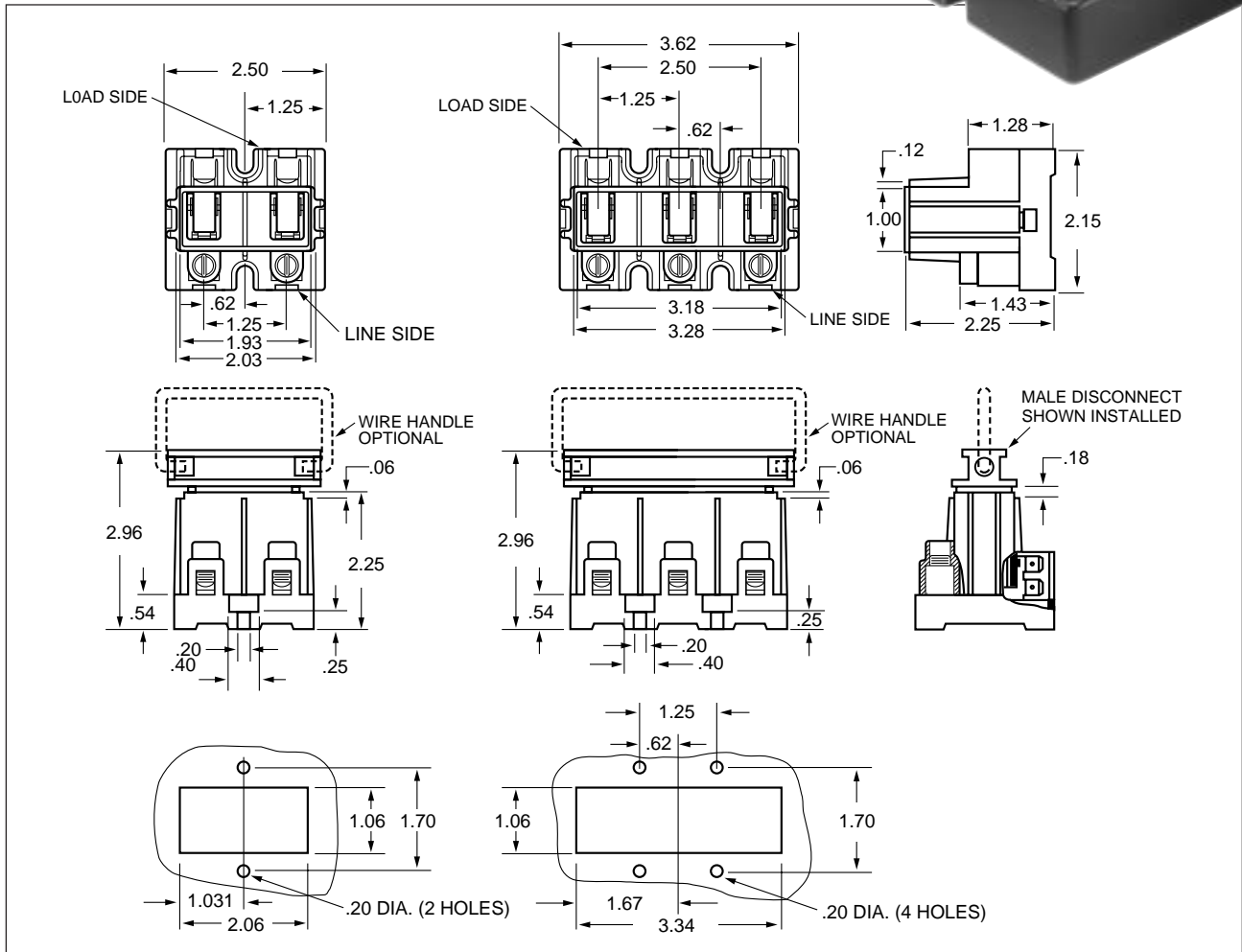
## Nonfused, Disconnects

- Ratings: 60A, 240V
- Wire Range: #2-14 CU/#8 AL
- Available in both 2 and 3 pole versions for both single and three phase systems.
- Compact, one-piece thermoplastic housing is rated to 150°C.
- Box connector or quick-connect terminations available on load side. Box connector standard on line side.
- Body of disconnect can be mounted enabling disconnect head (pull-out) to interlock with door to insure power is off when door is open.
- UL E120756; CSA LR 37129; CE Pending.



## Part Numbering System

Series	Poles	Line Side Connections	Load Side Connections	Options
<b>N</b> <b>D</b> - <b>1</b> <b>2</b> <b>6</b> <b>0</b>	<input type="checkbox"/>	<input type="checkbox"/>	<input type="checkbox"/>	<input type="checkbox"/>
	2 3	C = Box Connection	C = Box Connection Q = (4) .250" Quick-Connects	H = Wire Handle



BIF document: 1435





## *Look for other reliable products in these comprehensive catalogs . . .*

### *Circuit Protection*

Products for the DC mobile and AC supplementary circuit protection requirements including Shortstop®, Flat-Pak® and Hi-Amp™ auto, manual or modified reset and switchable circuit protectors, Maxi™ ATC®, ATM® blade type circuit protectors, Stud Type Junction Blocks, Small Dimension Fuse Panels, Battery Disconnect Switches and Power Distribution Modules.

### *MAGNUM® Terminal Blocks*

A complete line of conventional terminal blocks in an easy-to-use catalog. Includes Single Row, Double Row, Depluggable and Edge Connectors, Interface Systems and accessories. Popular center spacings include .250", .325", .375", .437", .562" and .687" with the industry's most comprehensive range of options.

### *MAGNUM® Euro-Mag Terminal Blocks*

MAGNUM® has just expanded it's product line to include European style PCB terminal blocks. These blocks are available in sizes ranging from 3.81mm to 10.16mm centers. Configurations include single, two-tier, depluggable and screwless. All blocks have full agency approvals and are available in horizontal, vertical, and 45° wire orientations.

# **MAGNUM®**

---

**GET CONNECTED WITH US**

BUSSMANN CIRCUIT COMPONENTS • 7300 W. Wilson Ave. • Chicago, IL 60656-4708 • Fax: 800-832-9873 • Phone: 888-YES MAGNUM  
Website: <http://www.busscc.com>

An ISO 9001 Quality System Certified Facility