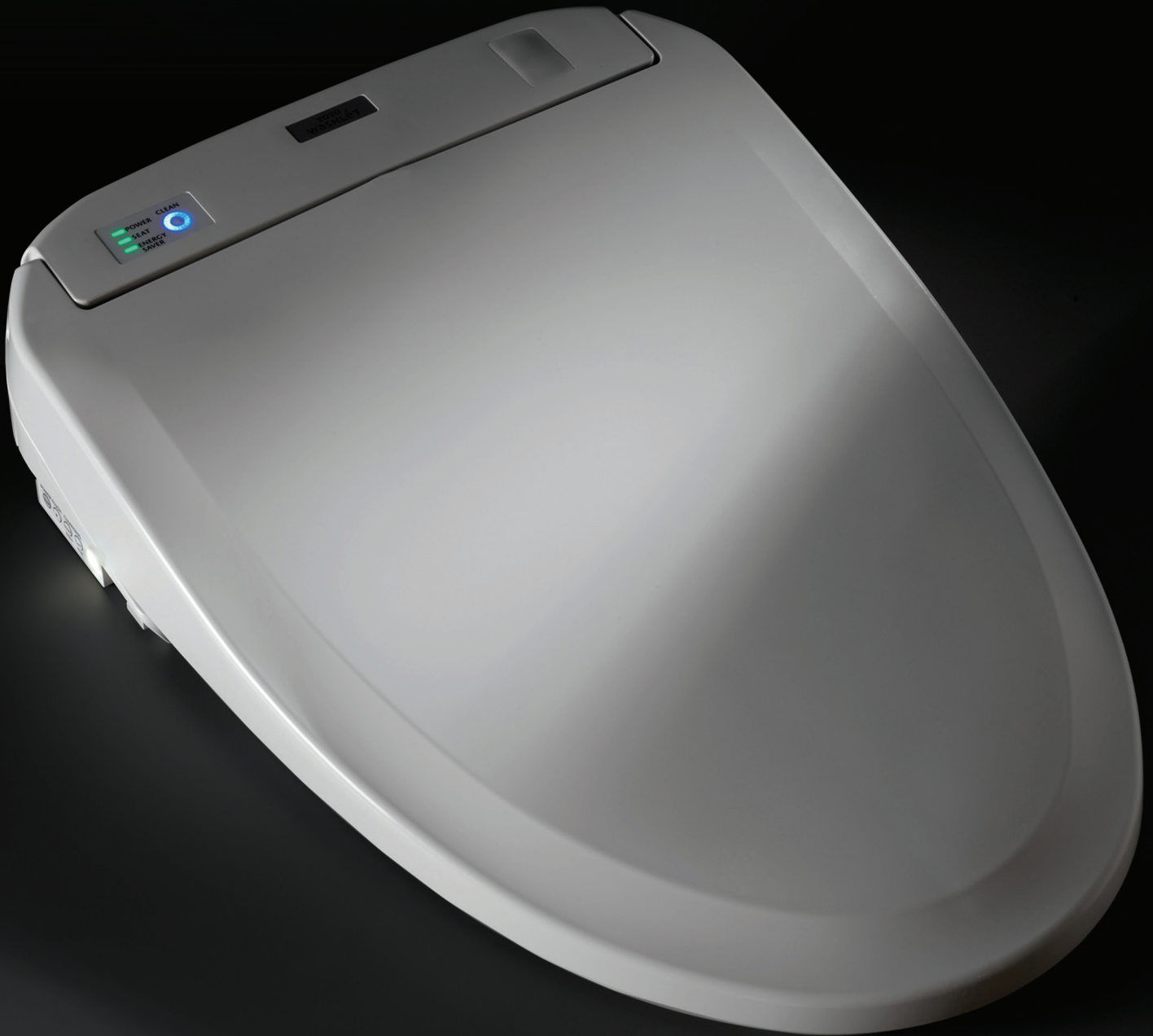


TOTO :
WASHLET®



FIT CHART |
BROCHURE



STOP

REAR
SOFT ON/OFF

PULSATING

OSCILLATING

FRONT
WIDE ON/OFF

PRESSURE

POSITION

DRYER

USER



TOTO
WASHLET

INSTALLING A WASHLET®

IS MUCH LIKE CHANGING A TOILET SEAT,
BUT THE FEATURES AND BENEFITS

FAR EXCEED

ANY TOILET YOU EVER OWNED.



WASHLET® COMPARISON CHART

		S350e	S300e	C200	C100	A200	A100
		SW583 (round) SW584 (elongated)	SW573 (round) SW574 (elongated)	SW2043 (round) SW2044 (elongated)	SW2033 (round) SW2034 (elongated)	SW2024 (elongated)	SW2014 (elongated)
MSRP	COTTON (#01)	\$1,560	\$1404	\$699	\$599	\$599	\$499
	SEDONA BEIGE (#12)	\$1,794	\$1,616	\$804	\$689		
CLEANSE	REAR CLEANSE	•	•	•	•	•	•
	SOFT REAR CLEANSE	•	•	•	•	•	•
	FRONT CLEANSE	•	•	•	•	•	•
	WIDE FRONT CLEANSE	•	•				
	OSCILLATING CLEANSE	•	•	•	•	•	•
	PULSATING CLEANSE	•	•	•		•	
	INSTANTANEOUS WATER HEATING	•	•				
	WATER PRESSURE CONTROL	5 SETTINGS	5 SETTINGS	5 SETTINGS	5 SETTINGS	5 SETTINGS	5 SETTINGS
	WATER TEMPERATURE CONTROL	5 SETTINGS	5 SETTINGS	5 SETTINGS	3 SETTINGS	3 SETTINGS	3 SETTINGS
	WAND POSITION ADJUSTMENT	•	•	•	•	•	•
AIR	AIR PURIFIER (DEODORIZER)	•	•	•	•		
	AIR DRYER	•	•	•	•		
	AIR TEMPERATURE CONTROL	5 SETTINGS	5 SETTINGS	5 SETTINGS	3 SETTINGS		
SEAT	HEATED SEAT	•	•	•	•	•	•
	HEATED SEAT TEMPERATURE CONTROL	5 SETTINGS	5 SETTINGS	5 SETTINGS	3 SETTINGS	5 SETTINGS	3 SETTINGS
	SoftClose SEAT AND LID	•	•	•	•	•	•
SENSOR	SEAT SENSOR	•	•	•	•	•	•
	AUTOMATIC OPEN AND CLOSE LID	•					
	AUTOMATIC FLUSH						
	NIGHT LIGHT	•					
REMOTE CONTROL	REMOTE CONTROL	•	•	•	SIDE PANEL	•	SIDE PANEL
	REMOTE CONTROLLED SEAT	•					
	REMOTE CONTROLLED FLUSH						
HYGIENE	REMOVABLE LID	•	•	•	•	•	•
	PREMIST™	•	•	•	•		
	EWATER+	•	•				
	WAND CLEANING MODE	•	•	•	•	•	•
	SELF-CLEANING WAND	•	•	•	•	•	•
ENERGY SAVING	ENERGY-SAVER TIMER	3, 6, 9 HOURS	3, 6, 9 HOURS				
	AUTO ENERGY SAVER	•	•	•	•	•	•
RATED POWER USAGE		835W	835W	406W	313W	406W	406W
LENGTH OF POWER CORD		3.9 ft. (1.2 m)	3.9 ft. (1.2 m)	3.9 ft. (1.2 m)	3.9 ft. (1.2 m)	3.9 ft. (1.2 m)	3.9 ft. (1.2 m)
WASHLET NOZZLE FLOW RATE							
	REAR	9.1 - 14.5 oz. / min.	9.1 - 14.5 oz. / min.	9.8 - 20.3 oz. / min.	9.8 - 20.3 oz. / min.	9.1 - 14.5 oz. / min.	9.1 - 14.5 oz. / min.
	SOFT	10.8 - 14.5 oz. / min.	10.8 - 14.5 oz. / min.	9.8 - 18.6 oz. / min.	9.8 - 18.6 oz. / min.	9.1 - 14.5 oz. / min.	9.1 - 14.5 oz. / min.
	FRONT	9.8 - 14.5 oz. / min.	9.8 - 14.5 oz. / min.	9.1 - 20.3 oz. / min.	9.1 - 18.6 oz. / min.	9.8 - 14.5 oz. / min.	9.8 - 14.5 oz. / min.
	WATER TEMPERATURE	86°F - 104°F	86°F - 104°F	86°F - 104°F	95°F - 104°F	95°F - 104°F	95°F - 104°F
DRYER	AIR TEMPERATURE	95°F - 140°F	95°F - 140°F	104°F - 140°F	-	-	-
	AIR VOLUME	10.24 ft3 / min.	10.24 ft3 / min.	9.54 ft3 / min.	-	-	-
HEATED SEAT	SURFACE TEMPERATURE	82° F - 97° F	82° F - 97° F	82° F - 97° F	82° F - 95° F	82° F - 97° F	82° F - 97° F
WATER SUPPLY PRESSURE		7 psi - 109 psi	7 psi - 109 psi	7 psi - 109 psi	7 psi - 109 psi	7 psi - 109 psi	7 psi - 109 psi
WATER SUPPLY TEMPERATURE		33°F to 95°F	33°F to 95°F	33°F to 95°F	33°F to 95°F	33°F to 95°F	33°F to 95°F
AMBIENT TEMPERATURE		33°F to 104°F	33°F to 104°F	33°F to 104°F	33°F to 104°F	33°F to 104°F	33°F to 104°F
SIZE	ROUND	15-5/16"W x 18-7/8D x 3-15/16"H	15-5/16"W x 18-7/8D x 3-15/16"H	-	-	15-3/8"W x 18-7/8"D x 7-3/8"H	18-7/8"W x 18-7/8"D x 7-3/8"H
	ELONGATED	15-5/16"W x 20-3/4"D x 3-15/16"H	15-5/16"W x 20-3/4"D x 3-15/16"H	15 15/16"W x 20.5"D x 6-3/4"H	18-7/8"W x 20.5"D x 6-3/4"H	15-3/8"W x 20-7/8"D x 7-3/8"H	18-7/8"W x 20-7/8"D x 7-3/8"H

WASHLET® COMPATIBILITY CHART

	SIZE	NAME	S300e/ S350	C100/C200	A100/A200	
ONE-PIECE TOILETS	ELONGATED	AIMES®				
		AQUIA®				
		CAROLINA® II				
		CARLYLE® II / II 1G®				
		GUINEVERE®				
		LEGATO®				
		LLOYD®	●	●	●	
		PROMENADE® II / II 1G				
		SOIREE®				
		SUPREME®				
		SUPREME II				
		ULTIMATE®				
		ULTRAMAX®				
		ULTRAMAX® II / II 1G				
		ONE-PIECE TOILETS	ROUND	SUPREME		
ULTIMATE	★			★		
ULTRAMAX						
TWO-PIECE TOILETS	ELONGATED	AQUIA I / II*				
		CONNELLY®				
		CLAYTON®				
		DARTMOUTH®				
		DRAKE II / II 1G				
		DRAKE®				
		MARIS® *	●	●	●	
		NEXUS®				
		PROMENADE I / II				
		PROMENADE				
		ROWAN®				
		VESPIN® II / II 1G				
	WHITNEY®					
	TWO-PIECE TOILETS	ROUND	DRAKE			
			PROMENADE	★	★	
ROWAN						
WALL-HUNG TOILETS		AQUIA	●	●	●	
		MARIS				

* Extension kit THU9090R required

● SW554/SW574/SW584 elongated ● SW2034/SW2044 elongated ● SW2014/SW2024 elongated
 ★ SW553/SW573/SW583 round ★ SW2033/SW2043 round

WASHLET S350e/s300e

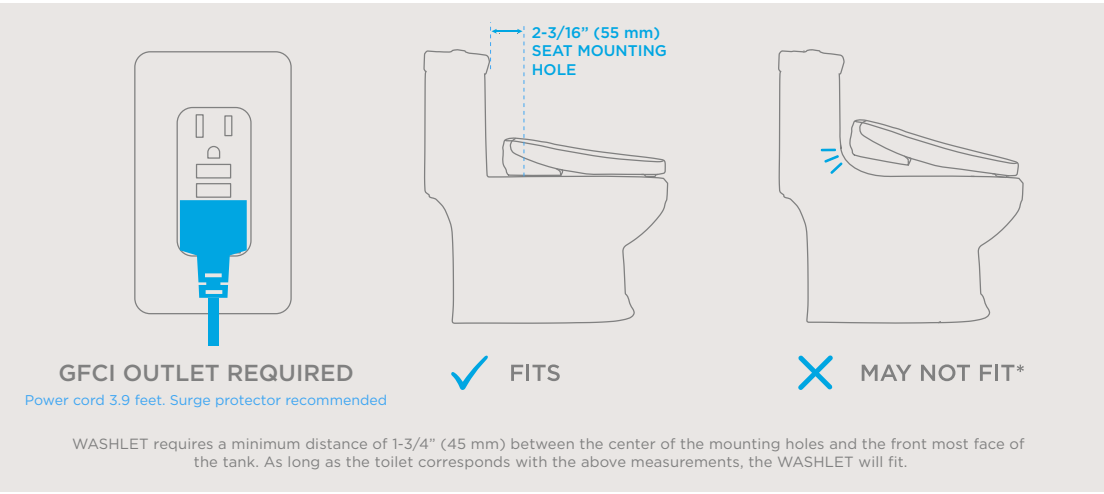
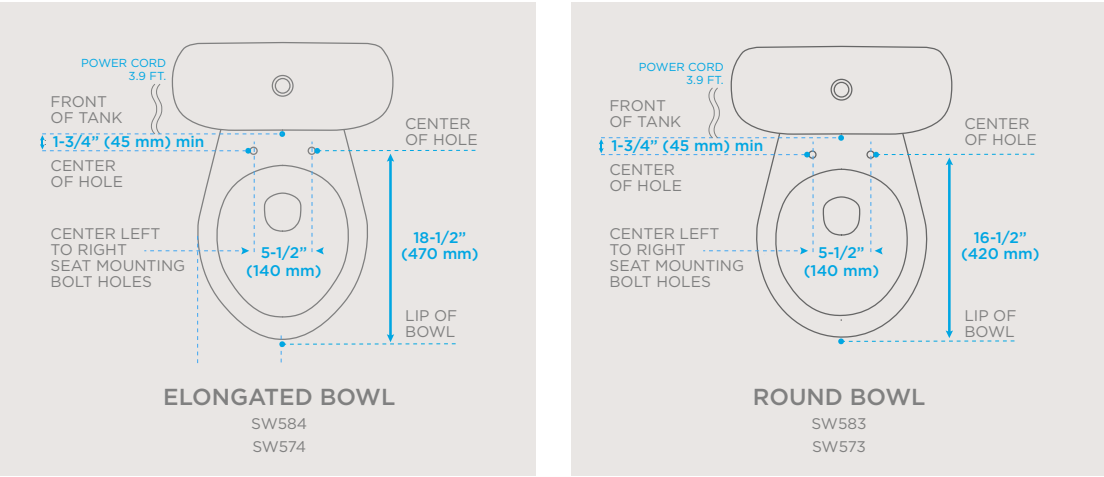
FIT CHART



WASHLET S350e;
PROMENADE® II 1G® ONE-PIECE TOILET

WHAT IF MY TOILET ISN'T A TOTO TOILET? WILL THE WASHLET STILL FIT?

On a standard Toilet with no curves between the seat and tank, all you need is 1-3/4 inches of room past the mounting bolts.



NOTE: Some styles of toilets may not allow the Washlet S300e/S350e to be installed due to certain contours near the tank and bowl area (see figures below). In the figure on the left side below, dimension D does not allow enough open space to accommodate the minimum width of 9 inches.

DIMENSIONS	DIMENSION REQUIREMENTS
A	Elongated - Approximately 18-1/2 inches (470 mm) from seat mounting holes to front of bowl Round - Approximately 16-1/2 inches (420 mm) from seat mounting holes to front of bowl
B	Minimum of 1-3/4 inches (45 mm) from front most face of tank to the center of mounting bolt holes
C	Approximately 5-1/2 inches (140 mm) from center left to right seat mounting holes
D	Minimum 8 inches (203 mm) of open space from center of Washlet S300e/S350e (or toilet to edge of Washlet S300e/S350e and flat bowl surface)

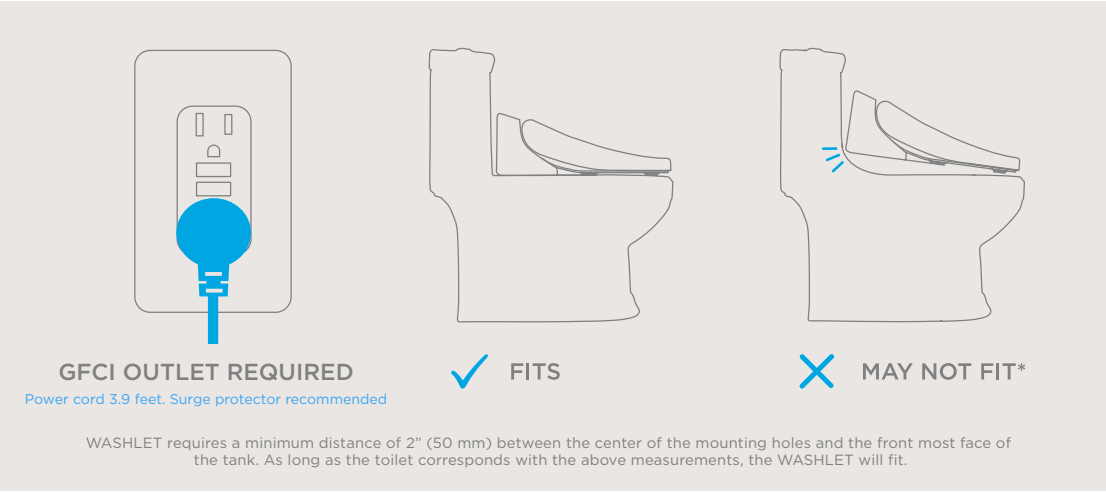
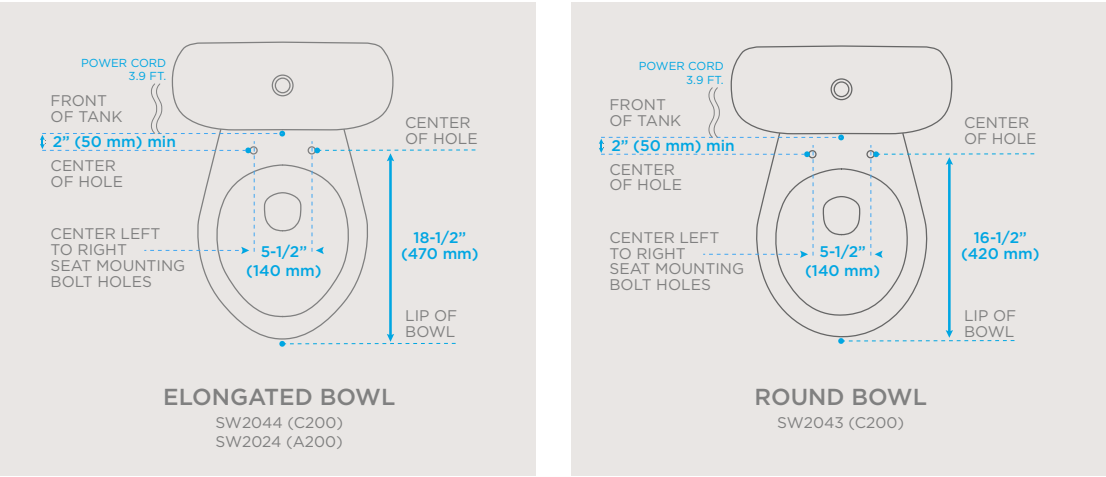
WASHLET C200/A200 FIT CHART



WASHLET C200;
ULTRAMAX® II 1G® ONE-PIECE TOILET

WHAT IF MY TOILET ISN'T A TOTO TOILET? WILL THE WASHLET STILL FIT?

On a standard Toilet with no curves between the seat and tank, all you need is 2 inches of room past the mounting bolts.



NOTE: Some styles of toilets may not allow the Washlet C200/A200 to be installed due to certain contours near the tank and bowl area (see figures below). In the figure on the left side below, dimension D does not allow enough open space to accommodate the minimum width of 9 inches.

DIMENSIONS	DIMENSION REQUIREMENTS
A	Elongated - Approximately 18-1/2 inches (470 mm) from seat mounting holes to front of bowl Round - Approximately 16-1/2 inches (420 mm) from seat mounting holes to front of bowl
B	Minimum of 2 inches (50 mm) from front most face of tank to the center of mounting bolt holes
C	Approximately 5-1/2 inches (140 mm) from center left to right seat mounting holes
D	Minimum 9 inches (210 mm) of open space from center of Washlet C200 (or toilet to edge of Washlet C200/A200 and flat bowl surface.

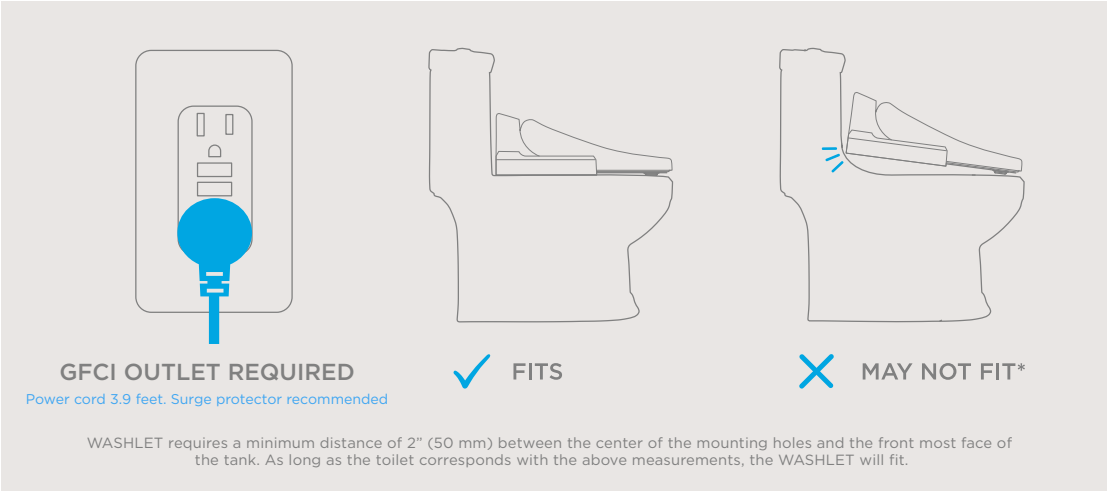
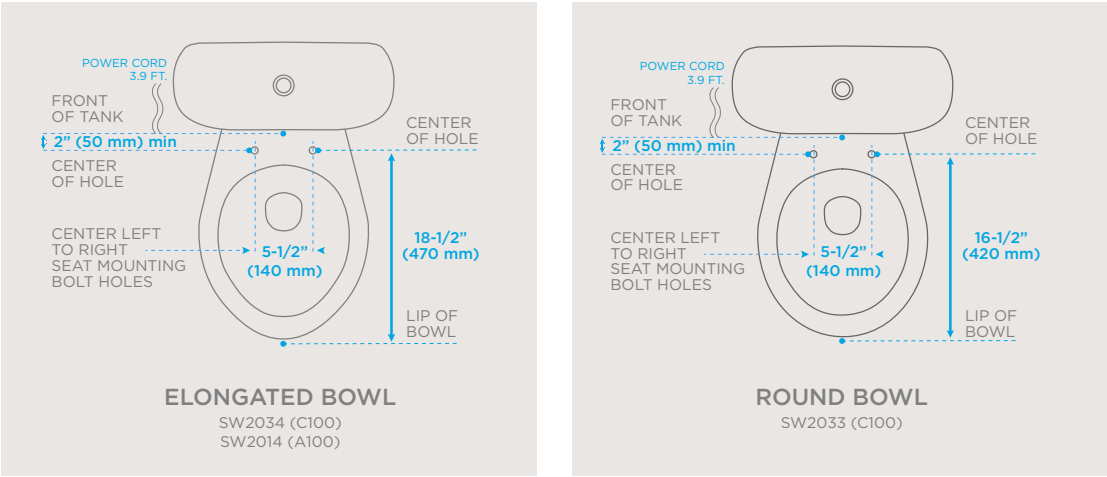
WASHLET C100/A100 FIT CHART



WASHLET C100;
DRAKE® II 1G® ONE-PIECE TOILET

WHAT IF MY TOILET ISN'T A TOTO TOILET? WILL THE WASHLET STILL FIT?

On a standard Toilet with no curves between the seat and tank, all you need is 2 inches of room past the mounting bolts.



NOTE: Some styles of toilets may not allow the Washlet C100/A100 to be installed due to certain contours near the tank and bowl area (see figures below). In the figure on the left side below, dimension D does not allow enough open space to accommodate the minimum width of 11 inches.

DIMENSIONS	DIMENSION REQUIREMENTS
A	Elongated - Approximately 18-1/2 inches (470 mm) from seat mounting holes to front of bowl Round - Approximately 16-1/2 inches (420 mm) from seat mounting holes to front of bowl
B	Minimum of 2 inches (50 mm) from front most face of tank to the center of mounting bolt holes
C	Approximately 5-1/2 inches (140 mm) from center left to right seat mounting holes
D	Minimum 11 inches (277 mm) of open space from center of Washlet C100/A100 to left side
E	Maximum 8-3/8 inches (213 mm) from center to edge of bowl surface

TOTO USA, INC.
1155 SOUTHERN ROAD
MORROW, GA 30260
800-350-8686

www.totousa.com
www.washlet.com

#KO-032017-WFB