

## PLC Protector MAINS-PLUGTRAB

The MAINS-PLUGTRAB PT series provides overvoltage protection from electrical transients caused by lightning, switching operations, utility actions, and de-energized inductive loads. It provides protection to power supplies, PLCs, PCs, controllers and other electrical equipment. This product consists of two pieces: a hard-wired base and a removable plug. The base accepts wire size from 24 to 12 AWG. The metal foot allows secure connection to the rail and provides a short path to ground for surge current, increasing the performance for protection for the equipment. The header or base is a feed-through terminal block. Power is not interrupted to the equipment regardless of plug status.



Mfr.'s Type	Order No.	Input Voltage	AWG	Each
<b>Plug</b>				
PT2-PE/S-24AC-ST	2839318	24V AC/DC	24-12	75.00
PT2-PE/S-60AC-ST	2839321	60 V AC/DC		75.00
PT2-PE/S-120AC-ST	2839334	120 V AC/DC		75.00
PT2-PE/S-230AC-ST	2839347	230 V AC/DC		75.00

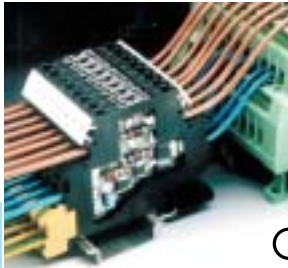
Mfr.s' Type	Order No.	Description*	Each
PT-BE/FM/S	2839282	Base with universal foot, for mounting on NS 35/7.5 or NS 32	24.00

\*Header or base must be ordered with the plug

**5-Year no-nonsense warranty**

## 24 VDC I/O Signal Protection TERMITRAB

TERMITRAB provides 3 stage protection (diode, MOV, gas tube) for 24 VDC signals. The narrow 6.2mm housing provides high density protection and is rated for 5000 amps of 8 x 20 Msecond surge current. The analog model protects one loop while the digital model protects two digital signals. Grounding is accomplished via a metal grounding foot. IP20 housing, accepts wire sizes 24 AWG to 18 AWG, CE approved.

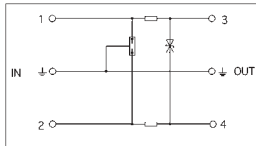
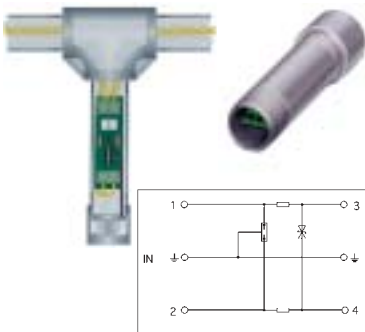


Mfr.'s Type	Order No.	Description	Each
TT-2PE-24DC	2838186	Analog (4-20mA, 0-10 VDC)	76.38
TT-2/2-24DC	2838173	Digital signal protection	81.52

**5-Year no-nonsense warranty**

## Surge Protection for Conduit Systems SURGETRAB

The surge protector **SURGETRAB-S-PT1-2PE-24DC** is designed specifically for installation in conduit systems. The protective circuit is on a small PCB housed inside a 4.72" long pipe with two 3/4" threaded ends. The pipe has a screw cover on one end, and, with a T-adaptor, this device can be integrated into any conduit system. The 2-stage protective circuit provides protection for conductor pairs in floating signal circuits. A powerful gas-filled 3-electrode surge arrester and a low limiting diode are decoupled by resistors, providing both fine and coarse protection. Two terminal blocks on the PCB clearly marked "IN" and "OUT" provide secure connections. The PCB grounding wire is connected to a washer on one end of the pipe. The ground is completed when the pipe screw cover is tightened. **Nominal voltage:** 24 VDC. **Max. voltage:** 28 VDC. **Nominal Current:** 250 mA. **AWG:** 26-16. **Max. response time:** normal mode, 1 ns; common mode, 100ns.



Mfr.'s Type	Order No.	Description	Each
S-PT1-2PE-24DC	2818122	Pipe stub w/integrated PCB	87.72
S-PT1-2PE-24DC/P	2818216	PCB only without pipe stub	49.49

**5-Year no-nonsense warranty**

## 3-Phase "Bricktrab" Surge Protection (TVSS)

The VAL-MS 3+1 series provides a "brick" of protection for critical 3-phase loads. High surge current capacity protects electrical systems and equipment from lightning and switching transients. Diagnostic monitoring of protection status with local and remote failure indication provides users with maximum protection reliability. **Common applications include:** MCCs, power distribution panels, CNC machines, machines tool equipment, motor drives and VFD. **Mounting:** NS 35/7.5 DIN rail. **5 Year no-nonsense warranty.**



Mfr.'s Type	Order No.	Description	Each
VAL-MS 120/3+1/FM-UD	2856692	Valvetrab, 4-channel, w/remote indicator contacts (N/C-N/O), 120 VAC	272.43
VAL-MS 320/3+1/FM-UD	2856689	Valvetrab, 4-channel, w/remote indicator contacts (N/C-N/O), 320 VAC	272.43

## COMBOTRAB

### Direct Strike Lightning and TVSS Protection Combined in One System

COMBOTRAB provides complete protection for your three-phase power application. Installed at the power service entrance, COMBOTRAB provides protection against even direct strike lightning events.



The combination lightning arrester and TVSS solution utilizes the unique Phoenix Contact FLASHTRAB PLUS CTRL lightning arrester and VALVETRAB TVSS components arranged in a scheme appropriate for the most popular electrical distribution power systems. COMBOTRAB features easy to replace TVSS components and an extended 10 year no-nonsense product warranty. In the unlikely event that a TVSS component fails, a replacement can be made in minutes. The modular approach of the COMBOTRAB lightning arrester and TVSS system provides the flexibility to mount indoors or outdoors, in OEM applications or in user equipment such as MCCs and control cabinets. Options such as NEMA 4X enclosures, DIN-rail assembly kits, and diagnostic light indication with remote contacts are also available. **10-Year no-nonsense warranty.**

### 3-phase 480/277 V AC WYE Connected

Order No.	Description	Each
5602744	NEMA 4 enclosure	2126.95
5602732	NEMA 4X enclosure	2569.85
5602201	NEMA 4 enclosure w/light indication	2333.00
5602746	NEMA 4X enclosure w/light indication	2775.85
5602794	Rail assembly kit	1349.30

### 3-phase 208/120 V AC WYE Connected

Order No.	Description	Each
5602745	NEMA 4 enclosure	2126.95
5602733	NEMA 4X enclosure	2569.85
5602202	NEMA 4 enclosure w/light indication	2333.00
5602747	NEMA 4X enclosure w/light indication	2775.85
5602415	Rail assembly kit	Call