

LMSW-101/102/103/104/108

Digital Lighting Management

Low Voltage Switches

**THESE UNITS ARE
PRE-SET FOR
PLUG n' GO
OPERATION,
ADJUSTMENT
IS OPTIONAL.**



LMSW-101



LMSW-102



LMSW-103



LMSW-104



LMSW-108

For full operational details, adjustment and more features of the product, see the DLM System Installation Guide at www.wattstopper.com

Installation shall be in accordance with all applicable regulations, and codes.

To be connected to a Class 2 power source only.

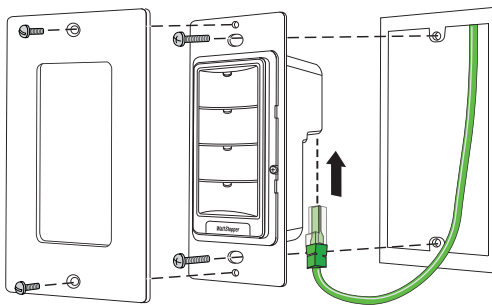
Class 2 Device Wiring Only – Do Not Reclassify and Install as Class 1, or Power and Lighting Wiring.

Wire connections shall be rated suitable for the wire size (lead and building wiring) employed.

Voltage	24VDC
Current Consumption.....	5mA
Power Supply	Watt Stopper/Legrand Room Controllers
Connection to the DLM Local Network	2 RJ-45 ports
DLM Local Network Characteristics:	
Provides low voltage power over Cat 5e cable (LMRJ).	
Supports up to 24 communicating devices, including 4 LMRC-10x or LMPL-101 max per each DLM Local Network.	
Free topology up to 1,000ft of low voltage cable.	
Environment	For Indoor Use Only
Operating Temperature	32° to 131°F [0° to 55°C]
Storage Temperature.....	23° to 176°F [-5° to 80°C]
Relative Humidity.....	.5 to 95% (non condensing)
Patent Pending	

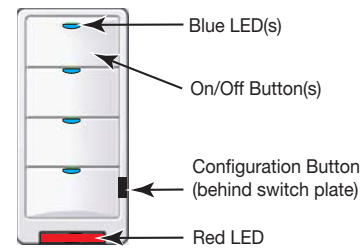
Quick Start Guide

MOUNTING THE SWITCH



WARNING: Do Not Install To Cover a Junction Box Having Class 1, 3 or Power and Lighting Circuits.

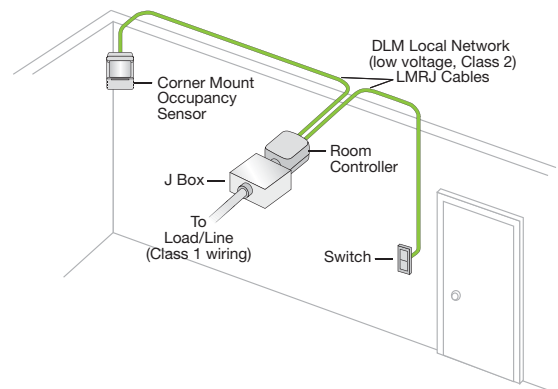
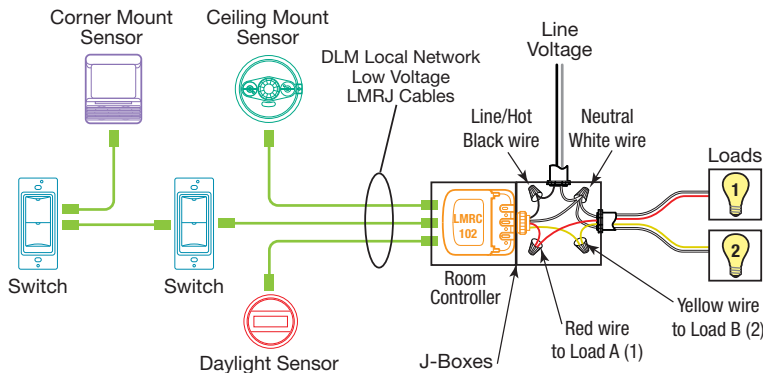
BUTTONS AND INDICATORS



CONNECTIVITY

The illustrations below show examples of free-topology wiring. The LMSW switches communicate to all other Digital Lighting Management devices connected to the low voltage

DLM Local Network, regardless of their position on the DLM Local Network.



REV	DESCRIPTION	INT:	REV. DATE	APPROVED
1	C03141	EU	5/26/2009	CG
2	C03377	EU		

MATERIAL: White 80g/m sq
Uncoated, recycled stock preferred

Final Trim Size: 8.5" (Wide) x 11" (High)

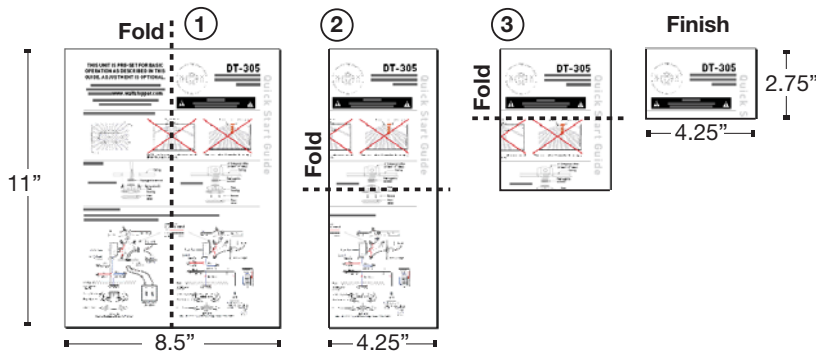
Ink: Color (CMYK)

Print: Two Sides

Pages: 2

Sheets: 1

TITLE BOX PAGE ONLY.
DO NOT MAKE FILM • DO NOT PRINT



IF YOU HAVE ANY QUESTIONS REGARDING SPECIFICATIONS OR REQUIRE ADDITIONAL FILE FORMATTING, PLEASE CONTACT Mary Jo Sowinski.

Phone: 408-486-7511

Email: maryjo.sowinski@wattstopper.com

All information in this drawing is the property of Watt Stopper and cannot be copied or used without the written approval of Watt Stopper.

DRAWN BY	SOWINSKI	<i>Watt Stopper</i> [®] SANTA CLARA, CALIFORNIA Title: LMSW-10x Quick Start Guide		
PLM				
MARCOM				
ENGINEERING				
QA				
TITLE BOX PG	SCALE 1:1	Drawing #: 11433	Orig. Drawing Date: 18 MAY 09 Revision Date: 18 AUG 09	REV. #: 2