

Interface PCB

Connector

Accessory

PROCESSOR PR SHEET 2 DSP AUDIO

RECEIVER

SYNTH-VCO

POWER-AMP

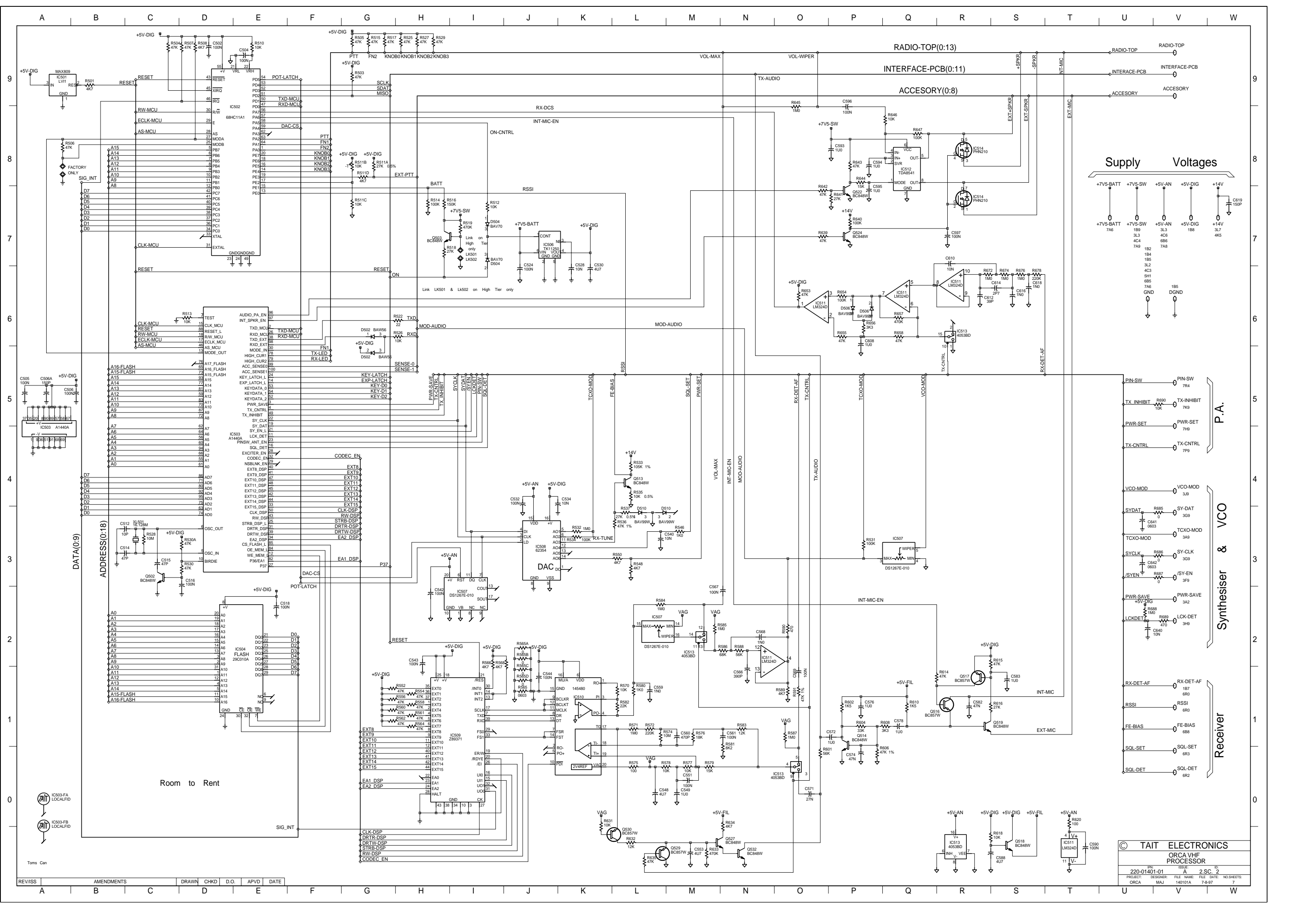
VCO sheet 6

© TAIT ELECTRONICS
ORCA VHF SYSTEM DIAGRAM

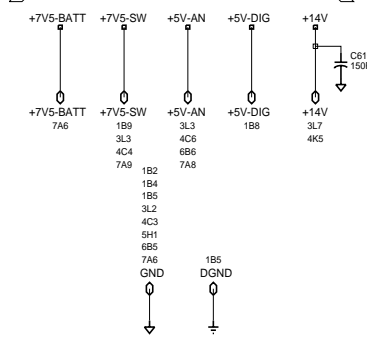
IPN: 220-01401-01	ISSUE: A	ID: 2.SC. 1
PROJECT: ORCA	DESIGNER: MAJ	FILE NAME: 140101A
FILE DATE: 7-8-97	NO. SHEETS: 7	

01	UPDATED	MAJ				
00	ORIGINAL	MAJ				
REV/ISS	AMENDMENTS	DRAWN	CHKD	D.O.	APVD	DATE

- DONALD PT-DONALD
- BUGGS XXXX-NXG
- DAFFYS XXXX-NXG
- MICKEYS XXXX-NXG
- TWEETYS XXXX-NXG
- GOOFS XXXX-NXG
- JERRY XXXX-NXG-XX
- MINI PT-MINI
- HEWYS XXXX-NXG
- DEWYS XXXX-NXG
- LEWYS XXXX-NXG
- FRED XXXX-NXG
- TOM XXXX-NXG
- MIC-SEAL MICGROMMET



Supply Voltages



P.A.

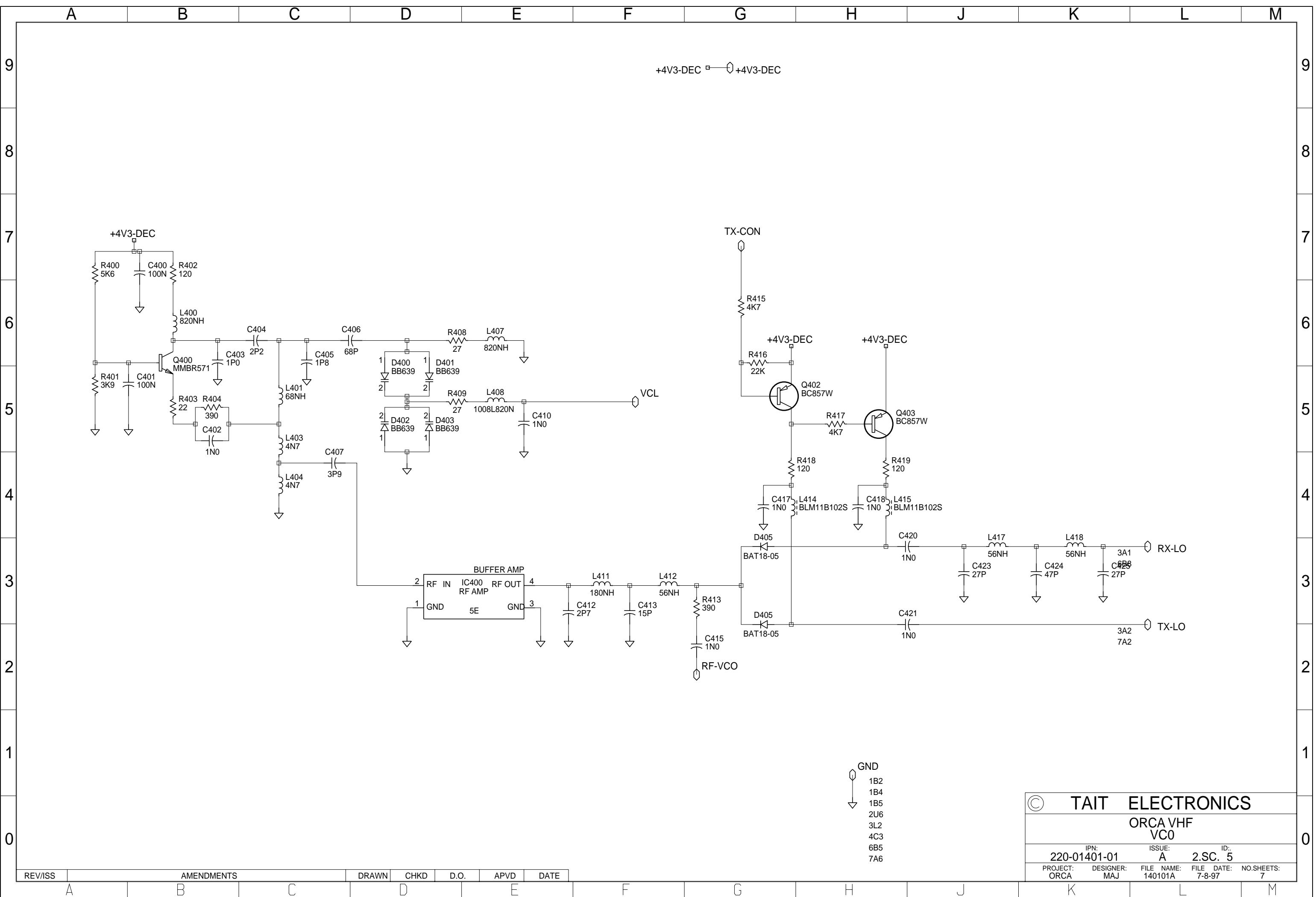
Synthesiser & VCO

Receiver

© TAIT ELECTRONICS
 ORCA VHF PROCESSOR
 ISSUE: A 2.S.C. 2
 PROJECT: 220-01401-01
 DESIGNER: ORCA MAJ
 FILE NAME: 140101A
 DATE: 7-8-97
 NO. SHEETS: 7

REV/ISS	AMENDMENTS	DRAWN	CHKD	D.O.	APVD	DATE

Toms Can



+4V3-DEC □ —○ +4V3-DEC

+4V3-DEC

TX-CON

+4V3-DEC

+4V3-DEC

BUFFER AMP

IC400 RF AMP

RF IN RF OUT

1 2 3 4

GND 5E GND

RF-VCO

RX-LO

TX-LO

GND

- 1B2
- 1B4
- 1B5
- 2U6
- 3L2
- 4C3
- 6B5
- 7A6

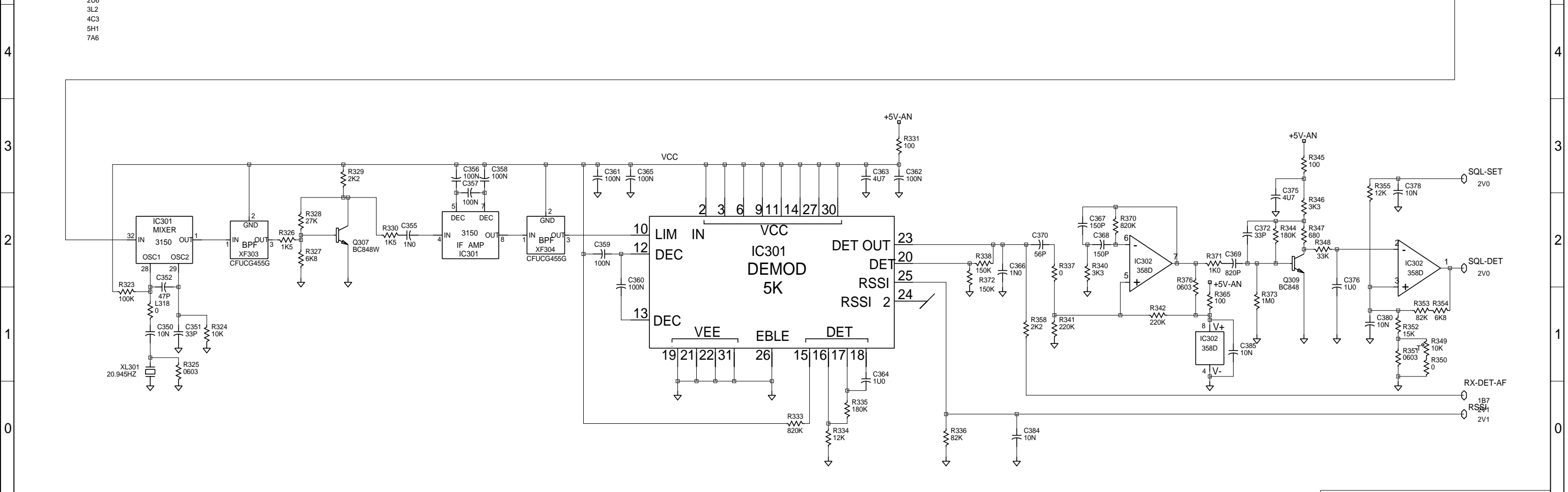
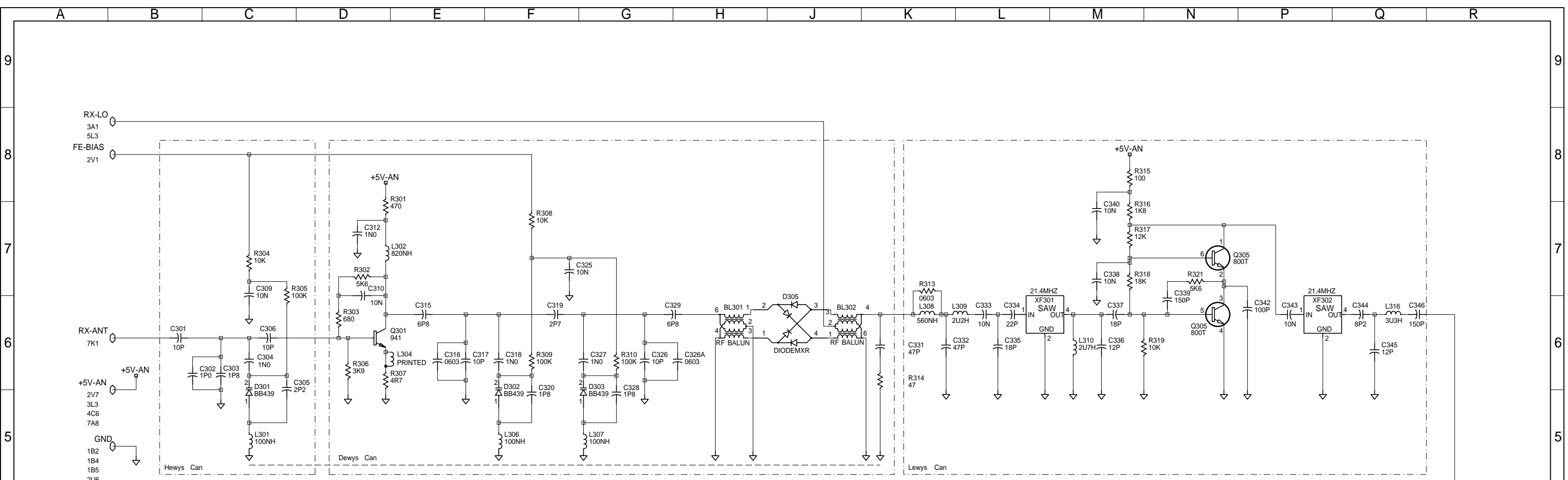
© TAIT ELECTRONICS				
ORCA VHF VCO				
IPN:	A	ISSUE:	A	ID:
220-01401-01		2.SC.	5	
PROJECT:	DESIGNER:	FILE NAME:	FILE DATE:	NO.SHEETS:
ORCA	MAJ	140101A	7-8-97	7

REV/ISS	AMENDMENTS	DRAWN	CHKD	D.O.	APVD	DATE

A B C D E F G H J K L M

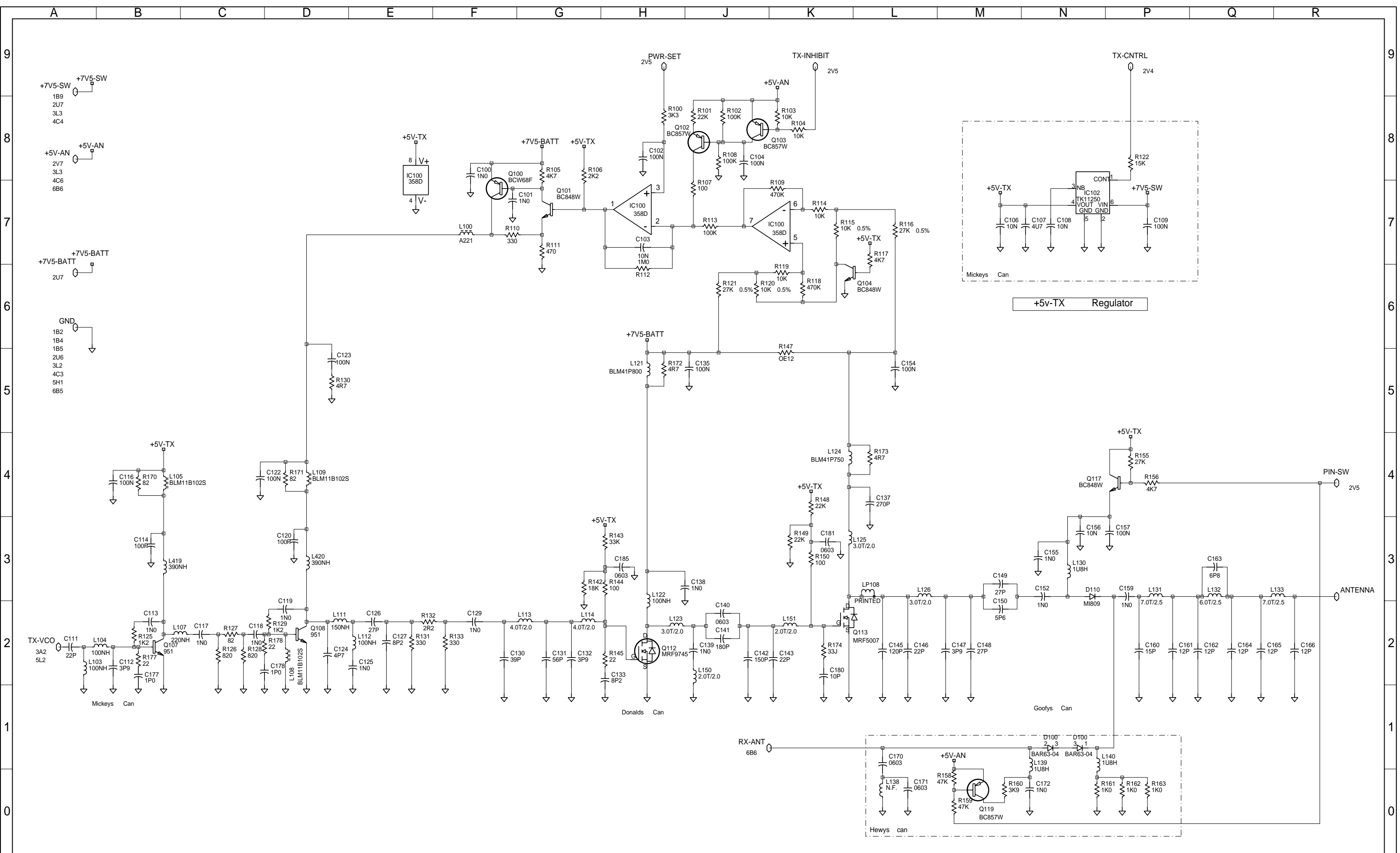
9
8
7
6
5
4
3
2
1
0

9
8
7
6
5
4
3
2
1
0



© TAIT ELECTRONICS
 ORCA VHF RECEIVER
 IPN: 220-01401-01 ISSUE: A ID: 2.S.C. 6
 PROJECT: ORCA DESIGNER: MAJ FILE NAME: 140101A FILE DATE: 7-8-97 NO. SHEETS: 7

REV/ISS	AMENDMENTS	DRAWN	CHKD	D.O.	APVD	DATE
A						



+5v-TX Regulator

© **TAIT ELECTRONICS**
ORCA VHF POWERAMP
 IPN: 220-01401-01 ISSUE: A ID: 2.S.C. 7
 PROJECT: ORCA DESIGNER: MAJ FILE NAME: 140101A FILE DATE: 7-8-97 NO.SHEETS: 7

REV/ISS	AMENDMENTS	DRAWN	CHKD	D.O.	APVD	DATE
A						

