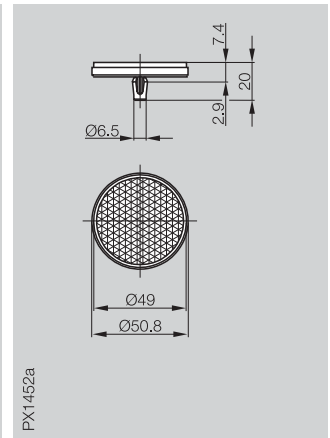
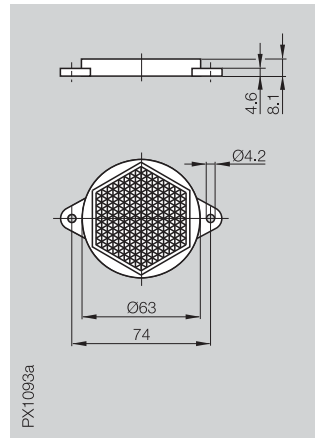
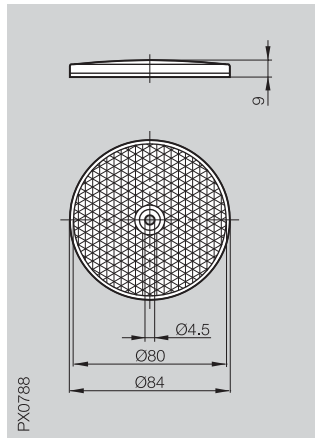
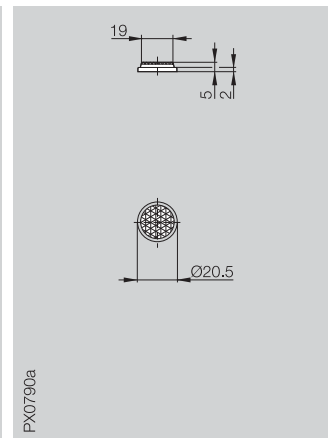
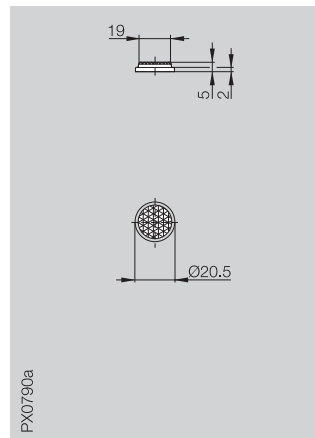
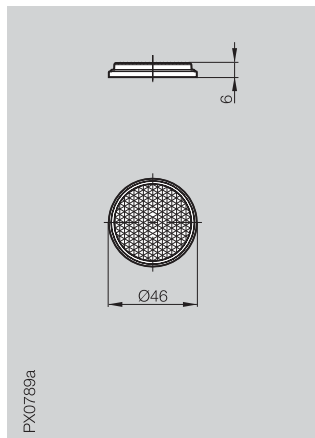


Size	Reflector Ø 84 mm	Reflector Ø 63	Reflector Ø 51 mm
Attachment	M5 screw	two M4 screws	Rivet with mounting tabs



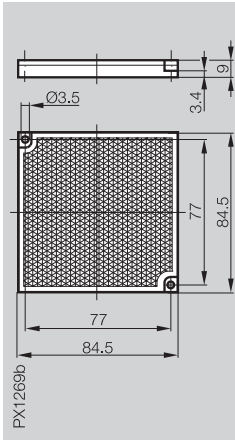
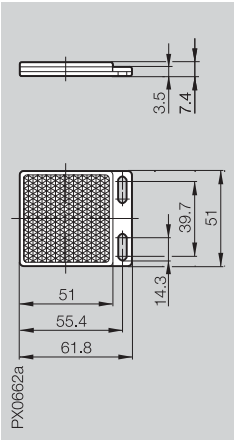
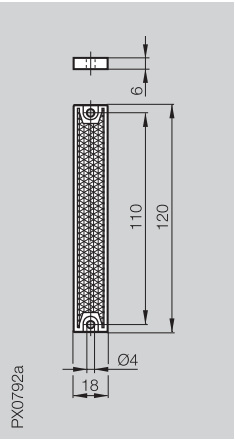
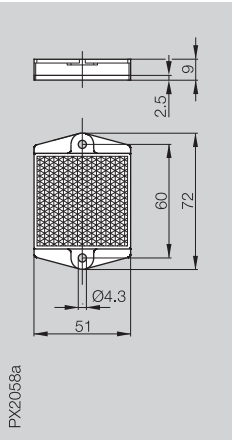
Ordering code	BOS R-1	BOS R-10	BOS R-14
Material	PMMA	PMMA	PC
Mounting accessories	BOS 21-AD-1		
Special features	Standard reflector		Chemical resistant 0...+100 °C
Temperature range	0...+65 °C	0...+65 °C	60 %
Reference sensing range	100 %	60 %	

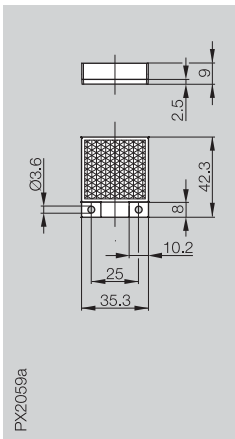
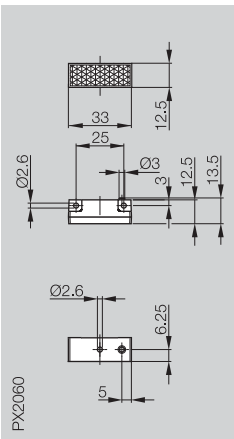
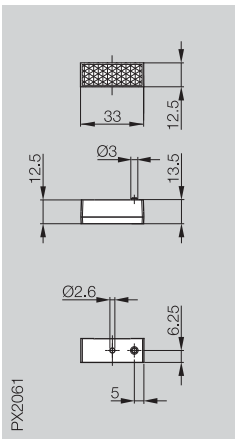
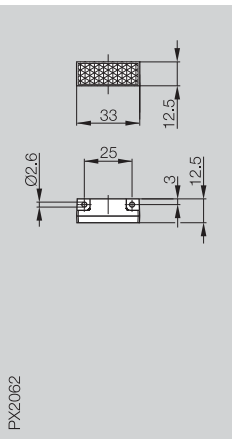
Size	Reflector Ø 46 mm	Reflector Ø 20 mm	Reflector Ø 20 mm
Attachment	glue	glue	glue

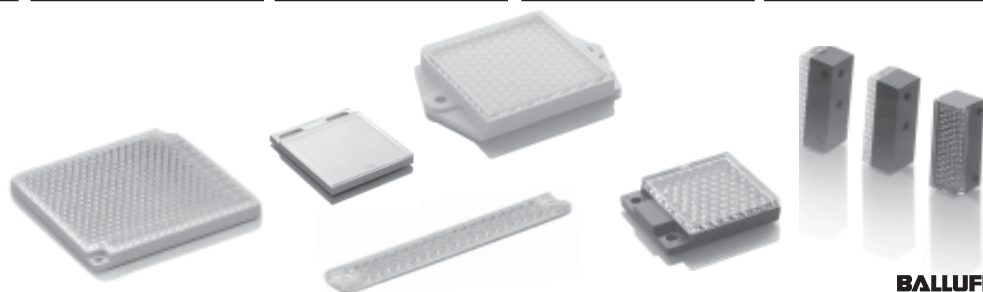


Ordering code	BOS R-2	BOS R-3	BOS R-15
Material	PMMA	PMMA	ABS/PMMA
Special features			Chemical resistant 0...+110 °C
Temperature range	0...+65 °C	0...+65 °C	25 %
Reference sensing range	60 %	25 %	



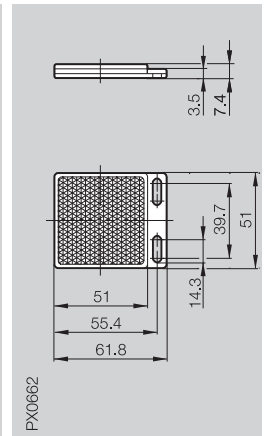
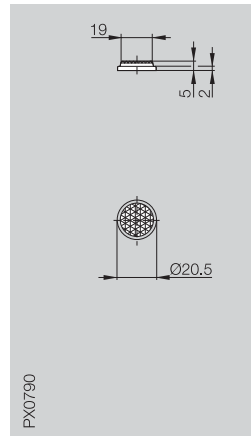
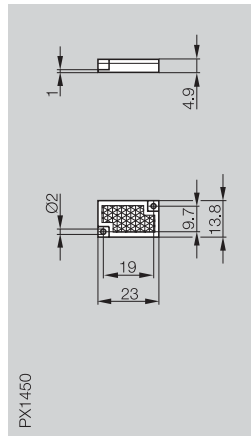
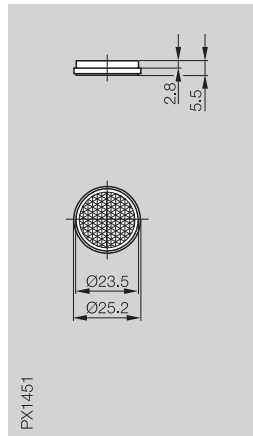
Size	Reflector 84×84 mm	Reflector 51×62 mm	Reflector 18×120 mm	Reflector 51×72 mm
Attachment	two M3 screws	two M4 screws	two M4 screws	two M4 screws
				
Ordering code	BOS R-11	BOS R-9	BOS R-5	BOS R-25
Material	PMMA	PMMA	PMMA	PMMA
Mounting accessories		BOS 5-HW-6		BOS 5-HW-4
Special features	High-performance reflector			
Temperature range	0...+50 °C	0...+50 °C	0...+50 °C	0...+50 °C
Reference sensing range	125 %	100 %	40 %	2.5 m (only for BOS 5K)

Size	Reflector 35×42 mm	Reflector 33×12 mm	Reflector 33×12 mm	Reflector 33×12 mm
Attachment	two M3 screws	one M3 screw	glue	
				
Ordering code	BOS R-26	BOS R-27	BOS R-28	BOS R-29
Material	PMMA	PMMA	PMMA	PMMA
Mounting accessories	BOS 5-HW-5	BOS 5-HW-1/2		BOS 5-HW-1/2
Temperature range	0...+50 °C	0...+50 °C	0...+50 °C	0...+50 °C
Reference sensing range	1.5 m			



Reflectors
for laser retroreflective types

Size	Reflector Ø 25 mm	Reflector 14×23 mm	Reflector Ø 20 mm	Reflector 51×62 mm
Attachment	glue	two M2 screws	glue	two M4 screws



Ordering code	BOS R-13	BOS R-12	BOS R-16	BOS R-22
Material	PMMA	ABS/PMMA	ABS/PMMA	ABS/PMMA
Mounting accessories				BOS 5-HW-6
Special features		Miniature reflector for laser retroreflectives 0...+55 °C	Miniature reflector for laser retroreflectives -20...+60 °C	
Temperature range	0...+55 °C			-10...+60 °C

For use with laser retroreflective types BOS 6K-PU-1LQA-.../BOS 26K-PA-1LQB-...

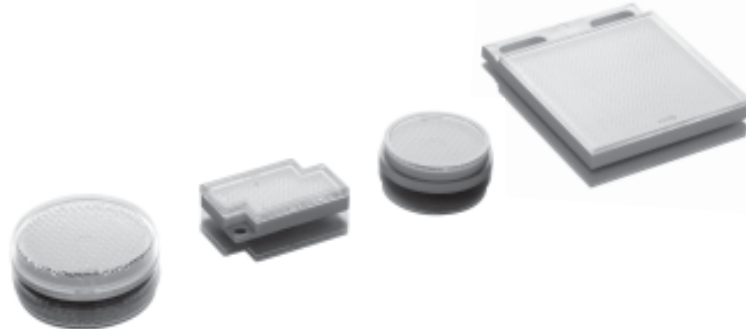
Reference sensing range	200 %	100 %	150 %	
Range with				
BOS 6K-PU-1LQA-...	2 m	1 m	1.5 m	
BOS 26K-PA-1LQB-...	5 m	2.5 m	3.75 m	

For use with Laser retroreflective types BOS 18K -PA-1LQ -.../BOS 26K-PA-1LQK-...

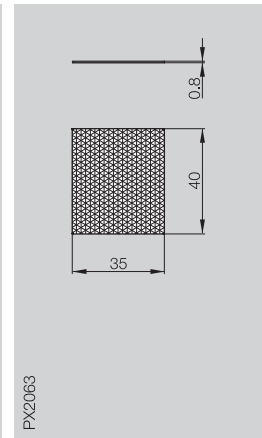
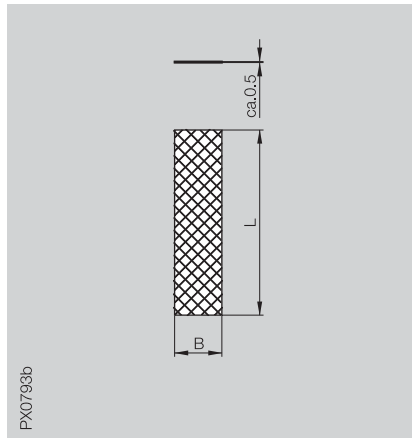
Reference sensing range	70 %	30 %	40 %	
Range with				
BOS 18KF-PA-1LQP-...	11.2 m	4.8 m	6.4 m	
BOS 18KW-PA-1LQH-...	6.3 m	2.7 m	3.6 m	
BOS 26K-PA-1LQK-...	8.4 m	3.6 m	4.8 m	

For use with standard retroreflective types (not laser)

Reference sensing range	40 %	30 %		
-------------------------	------	------	--	--



Size	Reflective tape see below	Reflective tape 40x35 mm
Attachment	self-adhesive	self-adhesive



Ordering code	BOS R-6-... (not for polarisiertes light)	BOS R-30 (also for polarized light)
	BOS R-7-... (also for polarized light)	
	BOS R-8-... (also for polarized light)	
Reference sensing range	40 % (for 100x50 mm)	40 %

Dimensions LxW	Ordering code
45 mmx50 mm	BOS R-6-45
250 mmx50 mm	BOS R-6-0.25
22 mmx50 mm	BOS R-7-22
250 mmx50 mm	BOS R-7-0,25
22 mmx25 mm	BOS R-8-22
250 mmx25 mm	BOS R-8-0.25

