



Type No. _____

Job Name _____

Catalog No. _____



Shown: FL2OT



FL2-FL3

- Decorative Emergency Lighting
- 6 Volt, 11 Watts & 6 Volt, 17 Watt
- Maintenance Free, Sealed Lead Calcium Battery

Housing

- Constructed of impact resistant, UL 94 V-O, 5 VA thermoplastic, completely self contained
- White housing is standard, with an optional black housing available
- The FL3 offers the option of 6 W remote capability

Battery

- Maintenance free, sealed lead calcium battery has an expected service life of 5 years with an operating range of 68°F (20°C) to 104°F (40°C)*
 - Battery supplies 90 minutes of emergency power
- * Increases or decreases in temperature will affect battery performance and/or capacity. Optimum battery performance realized at 77°F (25°C)

Illumination

- Illumination is provided by two fully adjustable polycarbonate 6 VDC, 5.4 W T-5 lamps
- High impact acrylic refractors minimize glare and maximize optic control

Warranty

- Electronics: 3 years
- Battery: 1 year full, 4 years pro-rata

Electrical Specifications

- 120 VAC: 60 Hz, 0.045 A
- 277 VAC: 60 Hz, 0.020 A

Electronics

- 120/277 VAC dual voltage input with surge-protection
- Solid-state charging circuitry provides for a reliable charging system
- Brownout protection activates lights when AC voltage drops 20% below nominal
- AC indicator lamp and test switch
- Low voltage disconnect feature (LVD) prevents deep battery discharge

Self-Testing Diagnostics (Optional)

- Continuously monitors the critical functions of the equipment, including: battery disconnect, battery failure, charger failure, transformer failure and lamp failure
- Self-Testing routine performs a one-minute test every 30 days, a 30-minute test on the 6th month and a 90-minute test annually

Code Compliance

- UL 924 listed
- UL damp location listed standard 68°F (20°C) to 104°F (40°C)
- NFPA 101, NEC, BOCA, OSHA, and IBC illumination standards

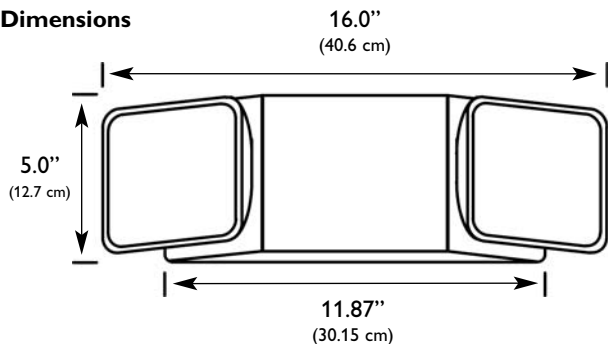
Application

- Corridors
- Open Plan Office Areas
- School Hallways, Lunch Rooms
- Hotel, Retail and General Commercial Construction

Ordering Information

SERIES	HOUSING COLOR	FACTORY INSTALLED OPTIONS	ACCESSORIES (Ordered Separately)
FL2 = 6 V, 11 W Emergency Lighting Unit FL3 = 6 V, 17 W Emergency Lighting Unit With 6 W Remote Capability	Blank = White B = Black	OT = Self-Diagnostics (available in white housing only)	WG5 = Wire Guard

Dimensions



Dimensions are approximate and subject to change.

Suggested Specification

Furnish and install LightGuard decorative emergency lighting model _____ . The unit shall be constructed to meet Underwriter's Laboratories, Inc. Standard #924 and must be installed to conform to Article 700 of the National Electrical Code (NEC).

INSTALLATION AND OPERATION - Unit shall be easily field connected to a 120 or 277 VAC, 60 Hz, unswitched power source. Installation must comply with the NEC as well as other applicable codes. Upon utility power failure or brownout, the unit shall automatically provide emergency battery power and maintain the stated illumination level and output wattage for a minimum period of 90 minutes. Upon restoration of utility power, the charging circuitry shall restore the battery to full charge within UL 924 requirements following a rated discharge of not more than 90 minutes. The unit shall be damp location listed standard.

CHARGING CIRCUITRY - Unit shall utilize a solid-state, fully automatic, voltage regulated charging system which will maintain the battery at full capacity without the need for periodic exercising or equalization. The following features shall be standard: low voltage disconnect (LVD), brownout protection and AC lockout.

BATTERY - The battery shall be maintenance free, sealed lead calcium with an optimum operating temperature range of 68°F (20°C) to 104°F (40°C). All normal gassing shall be contained within the battery casing, and will not escape into the atmosphere. Gasses created during recharge cycles will recombine with existing electrolyte. The battery shall have a recommended service life of 5 years when operated at optimum operating temperature.

ILLUMINATION - The product shall incorporate two fully adjustable lamp heads, which include a parabolic reflector design and utilize a 6 VDC, 5.4 W T-5 wedge base tungsten lamp. The lamp head lens shall be constructed of high impact, prismatic, UV stabilized acrylic, and will effectively control sight line glare.

HOUSING - The housing shall be constructed of impact resistant, UL 94 V-0, white thermoplastic, completely self-contained.

ALL SPECIFICATIONS SUBJECT TO CHANGE WITHOUT NOTICE



272 West Stag Park Service Road • Burgaw, NC 28425
 (910) 259-1131 • FAX (800) 403-6927
 www.lightguard.com

L2323R11
 1/12 IH