

# FEATURES

## DECORATIVE HOUSING

- Durable, heavy-gauge aluminum housing. Textured polyester powder paint finish available in matte black, satin silver or white.
- Housing available in short or tall configurations to allow for a variety of ceiling height applications.

## DECORATIVE ELEMENT

- Four configurations allow customization suitable in any space.
- No Ring (NR): Clean, simple form - no decorative element.
- Soft Ring (S): Subtle, formed black aluminum band. Black polyester powder paint.
- Stacked Rings (C): Four injection-molded black acrylic rings.
- Gear (G): Precision-formed black aluminum. Black polyester powder paint.

## OPTICAL SYSTEM

- Self-flanged, specular or matte-diffuse reflector. Bounding Ray™ Optical Principle design (U.S. Patent No. 5,800,050) provides lamp before lamp image and smooth transition from top of the reflector to bottom. Reflector flange visually integrates with housing.

## MOUNTING OPTIONS

- RC120 - 120" black cord is provided for electrical connection between luminaire and canopy. Canopy mounts directly to 4" square or octagonal junction box.
- SM - Luminaire is mounted directly to the surface-mounted canopy. Canopy mounts directly to 4" square or octagonal junction box.

## ELECTRICAL SYSTEM

- Rugged aluminum lampholder housing.
- Vertically mounted, four-pin positive-latch, thermoplastic socket.
- Class P, thermally protected, high-power-factor electronic ballast.

## LISTING

- Fixtures are UL Listed for damp locations. Listed and labeled to comply with Canadian standards.

Type Catalog number

.....  
 .....  
 .....  
 .....

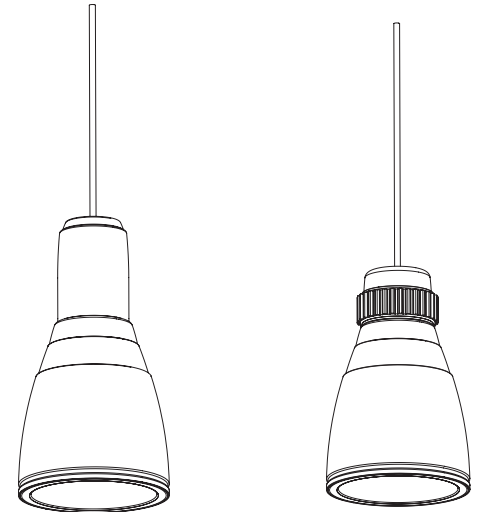
## Compact Fluorescent Surface Downlights

# 8" PDPF

## Elevations®

## Performance Downlight Pendant

Vertical Triple Tube Lamp



All dimensions are inches (centimeters).

Aperture: 7-7/8 (20.1) Height: 14-7/8 (37.7) Short  
 Overall Diameter: 9-3/8 (23.5) Height: 17-5/8 (44.8) Tall

# ORDERING INFORMATION

Example: **PDPF 32TRT 8AR MVOLT TSNR RC120**

Choose the boldface catalog nomenclature that best suits your needs and write it on the appropriate line.

| PDPF        |              |                              |                         |                                     |                          |                |                            |                        |  |  |  |  |  |  |  |
|-------------|--------------|------------------------------|-------------------------|-------------------------------------|--------------------------|----------------|----------------------------|------------------------|--|--|--|--|--|--|--|
| Series      | Wattage/Lamp | Aperture/Trim color          | Finish                  | Lens type                           | Voltage                  | Housing        | Color                      | Decorative element     | Mounting method                                | Options  |  |  |  |  |  |
| <b>PDPF</b> | <b>18TRT</b> | <b>8AR</b> Clear             | (blank) Semi-           | (blank) No lens                     | <b>MVOLT<sup>2</sup></b> | <b>S</b> Short | <b>B</b> Matte black       | <b>NR</b> No ring      | <b>RC120<sup>7</sup></b> Reinforced cord mount | <b>WLP</b> With 3500 K lamp (shipped separately)                     |  |  |  |  |  |
|             | <b>26TRT</b> | <b>8PR</b> Pewter            | specular                | <b>CGL</b> Clear glass lens         | <b>120</b>               | <b>T</b> Tall  | <b>S</b> Soft ring         | <b>C</b> Stacked rings | <b>SM</b> Surface mount                        | <b>GMF<sup>4</sup></b> Single slow blow fuse                         |  |  |  |  |  |
|             | <b>32TRT</b> | <b>8WTR</b> Wheat            | <b>LD</b> Matte-diffuse | <b>T73</b> Tempered prismatic lens  | <b>277</b>               |                | <b>S</b> Satin silver      | <b>G</b> Gear          |  | <b>GLR<sup>4</sup></b> Single fast blow fuse                         |  |  |  |  |  |
|             | <b>42TRT</b> | <b>8BR<sup>1</sup></b> Black |                         | <b>PCL</b> Clear polycarbonate lens | <b>347</b>               |                | <b>W<sup>6</sup></b> White |                        |  | <b>EL<sup>4,8</sup></b> Emergency battery pack, integral test switch |  |  |  |  |  |
|             |              | <b>8WR<sup>1</sup></b> White |                         | <b>PPC</b> Prismatic polycarbonate  |                          |                |                            |                        |  | <b>ELR<sup>4,9</sup></b> Emergency battery pack, remote test switch  |  |  |  |  |  |
|             |              |                              |                         |                                     |                          |                |                            |                        |  | <b>GRS</b> Recessed mounting frame                                   |  |  |  |  |  |
|             |              |                              |                         |                                     |                          |                |                            |                        |  | <b>NSD<sup>10</sup></b> Sensor Switch nLight™ dimming relay          |  |  |  |  |  |

## NOTES

- 1 Not available with finishes.
- 2 Multi-volt electronic ballast capable of operating on any line voltage from 120V through 277V, 50 or 60Hz.
- 3 Not available with RC120 option.
- 4 Available in 120V or 277V only.
- 5 Only available with tall housing.
- 6 Provided with white cord with RC120.
- 7 Not available with dimming when specified with emergency options.
- 8 SM mounting only when specified with dimming. Requires use of 14" tall extended canopy.
- 9 SM mounting only when specified with dimming. Only available with GRS option.
- 10 One 5A relay with one 0-10 VDC dimming output, shipped installed. Requires additional nLight bus power supply (nPS80). Only available with ADZT, SM mounting and GRS option.

## Ballast

- (blank) Electronic ballast
- ECOS<sup>3,4,5</sup>** EcoSystem electronic dimming ballast. Minimum dimming level 5%.
- ADEZ<sup>4,5</sup>** Advance Mark 10<sup>®</sup> electronic dimming ballast. Minimum dimming level 5%.
- ADZT<sup>3,4,5</sup>** Advance Mark 7<sup>®</sup> electronic dimming ballast. Minimum dimming level 5%.

# 8" PDPF Elevations® Performance Downlight Pendant

| Distribution curve   | Distribution data | Output data | Coefficient of utilization | Illuminance Data at 30" Above Floor for a Single Luminaire |         |                |                |      |          |      |     |
|--|-------------------|-------------|----------------------------|--|---------|----------------|----------------|------|----------|------|-----|
| <b>PDPF 26TRT 8AR, (1) PL-T 26W/30K lamp, 1800 rated lumens, 1.3 s/mh, Test No. 94021601</b> |                   |             |                            |  |         |                |                |      |          |      |     |
|  | From 0°           | Ave Lumens  | Zone Lumens % Lamp         | pf pc  | 80% 20% | 50% beam angle | 10% beam angle |      |          |      |     |
|  | 0                 | 830         | 0° - 30° 681.2 37.8        | 1  | .81 .79 | 64.0°          | 93.7°          |      |          |      |     |
|  | 5                 | 870 85      | 0° - 40° 1069.0 59.4       | 2  | .75 .72 | Initial fc     | fc at          |      |          |      |     |
|  | 15                | 876 246     | 0° - 60° 1335.8 74.2       | 3  | .69 .65 | Mount at beam  | Beam           | beam | Beam     | beam |     |
|  | 25                | 762 351     | 0° - 90° 1336.1 74.2       | 4  | .63 .59 | height center  | diameter       | edge | diameter | edge |     |
|  | 35                | 630 388     | 90° - 180° 0.0 0.0         | 5  | .58 .53 | 8              | 27.4           | 6.9  | 13.7     | 11.7 | 2.7 |
|  | 45                | 354 251     | 0° - 180° 1336.1 *74.2     | 6  | .54 .49 | 10             | 14.8           | 9.4  | 7.4      | 16.0 | 1.5 |
|  | 55                | 5 15        | *Efficiency                | 7  | .50 .45 | 12             | 9.2            | 11.9 | 4.6      | 20.3 | 0.9 |
|  | 65                | 0 0         |                            | 8  | .46 .41 | 14             | 6.3            | 14.4 | 3.1      | 24.5 | 0.6 |
|  | 75                | 0 0         |                            | 9  | .43 .38 | 16             | 4.6            | 16.9 | 2.3      | 28.8 | 0.5 |
|  | 85                | 0 0         |                            | 10   | .40 .35 |                |                |      |          |      |     |
| 90   | 0 0               |             |                            |  |         |                |                |      |          |      |     |

|  |         |            |                        |       |         |                |                |      |          |      |     |
|--|---------|------------|------------------------|-------|---------|----------------|----------------|------|----------|------|-----|
| <b>PDPF 32TRT 8AR, (1) PL-T 32W/30K lamp, 2400 rated lumens, 1.1 s/mh, Test No. 94021402</b> |         |            |                        |       |         |                |                |      |          |      |     |
|  | From 0° | Ave Lumens | Zone Lumens % Lamp     | pf pc | 80% 20% | 50% beam angle | 10% beam angle |      |          |      |     |
|  | 0       | 1344       | 0° - 30° 992.2 41.3    | 1     | .76 .74 | 55.2°          | 87.5°          |      |          |      |     |
|  | 5       | 1440 139   | 0° - 40° 1446.8 60.3   | 2     | .70 .67 | Initial fc     | fc at          |      |          |      |     |
|  | 15      | 1360 378   | 0° - 60° 1654.7 68.9   | 3     | .65 .62 | Mount at beam  | Beam           | beam | Beam     | beam |     |
|  | 25      | 1036 476   | 0° - 90° 1655.2 69.0   | 4     | .60 .56 | height center  | diameter       | edge | diameter | edge |     |
|  | 35      | 737 455    | 90° - 180° 0.0 0.0     | 5     | .56 .52 | 8              | 44.4           | 5.8  | 22.2     | 10.5 | 4.4 |
|  | 45      | 281 203    | 0° - 180° 1655.2 *69.0 | 6     | .52 .48 | 10             | 23.9           | 7.9  | 11.9     | 14.4 | 2.4 |
|  | 55      | 4 5        | *Efficiency            | 7     | .49 .44 | 12             | 14.9           | 9.9  | 7.4      | 18.2 | 1.5 |
|  | 65      | 1 1        |                        | 8     | .46 .41 | 14             | 10.2           | 12.0 | 5.1      | 22.0 | 1.0 |
|  | 75      | 0 0        |                        | 9     | .43 .38 | 16             | 7.4            | 14.1 | 3.7      | 25.8 | 0.7 |
|  | 85      | 0 0        |                        | 10    | .40 .36 |                |                |      |          |      |     |
| 90   | 0 0     |            |                        |       |         |                |                |      |          |      |     |

|  |         |            |                        |       |         |                |                |      |          |      |     |
|--|---------|------------|------------------------|-------|---------|----------------|----------------|------|----------|------|-----|
| <b>PDPF 42TRT 8AR, (1) PL-T 42W/30/4P lamp, 3200 rated lumens, 1.0 s/mh, Test No. 95121902</b> |         |            |                        |       |         |                |                |      |          |      |     |
|  | From 0° | Ave Lumens | Zone Lumens % Lamp     | pf pc | 80% 20% | 50% beam angle | 10% beam angle |      |          |      |     |
|  | 0       | 1568       | 0° - 30° 1095.4 34.2   | 1     | .63 .61 | 53.8°          | 85.7°          |      |          |      |     |
|  | 5       | 1705 160   | 0° - 40° 1601.1 50.0   | 2     | .58 .55 | Initial fc     | fc at          |      |          |      |     |
|  | 15      | 1467 408   | 0° - 60° 1807.5 56.5   | 3     | .54 .51 | Mount at beam  | Beam           | beam | Beam     | beam |     |
|  | 25      | 1145 528   | 0° - 90° 1816.6 56.8   | 4     | .50 .46 | height center  | diameter       | edge | diameter | edge |     |
|  | 35      | 821 506    | 90° - 180° 0.0 0.0     | 5     | .46 .43 | 8              | 51.8           | 5.6  | 25.9     | 10.2 | 5.2 |
|  | 45      | 244 198    | 0° - 180° 1816.6 *56.8 | 6     | .43 .39 | 10             | 27.9           | 7.6  | 13.9     | 13.9 | 2.8 |
|  | 55      | 10 8       | *Efficiency            | 7     | .40 .37 | 12             | 17.4           | 9.6  | 8.7      | 17.6 | 1.7 |
|  | 65      | 4 4        |                        | 8     | .38 .34 | 14             | 11.9           | 11.7 | 5.9      | 21.4 | 1.2 |
|  | 75      | 2 3        |                        | 9     | .35 .32 | 16             | 8.6            | 13.7 | 4.3      | 25.1 | 0.9 |
|  | 85      | 2 2        |                        | 10    | .33 .30 |                |                |      |          |      |     |
| 90   | 0 0     |            |                        |       |         |                |                |      |          |      |     |

| ENERGY (Calculated in accordance with NEMA standard LE-5A) |                     |             |             |                |             |
|--|---------------------|-------------|-------------|----------------|-------------|
| LER.DOH  | Annual* Energy Cost | Lamps       | Lamp Lumens | Ballast Factor | Input Watts |
| 51   | \$ 4.69             | (1) 26W TRT | 1800        | 1.10           | 29          |
| 46   | \$5.24              | (1) 32W TRT | 2400        | 0.98           | 36          |
| 37   | \$6.47              | (1) 42W TRT | 3200        | 0.98           | 48          |

\*Comparative yearly lighting energy cost per 1000 lumens

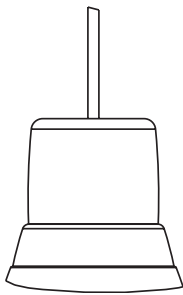
- NOTES:
- For electrical characteristics consult Technical Bulletins tab.
  - Tested to current IES and NEMA standards under stabilized laboratory conditions. Various operating factors can cause differences between laboratory data and actual field measurements. Dimensions and specifications are based on the most current available data and are subject to change without notice.
  - Consult factory of IES file for other photometric reports.

# 8" PDPF

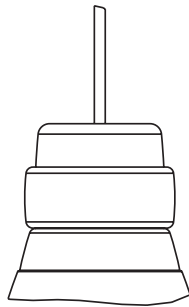
Elevations®

Performance Downlight Pendant

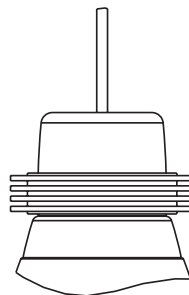
## Decorative Elements



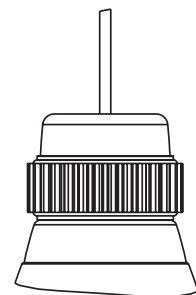
NR - No Ring



S - Soft Ring



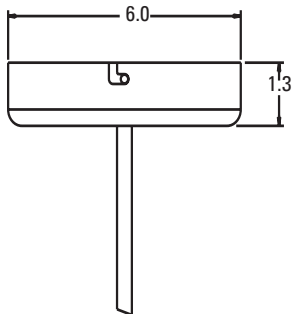
C - Stacked Rings



G - Gear

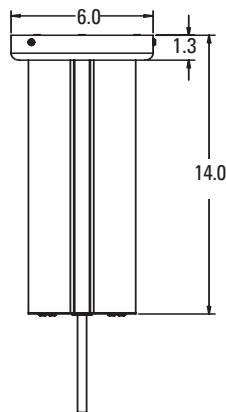
## Canopy Configurations

PDPF Horizontal, Candéo®, Ice™  
Mounting canopy attaches directly to J-Box  
RC120



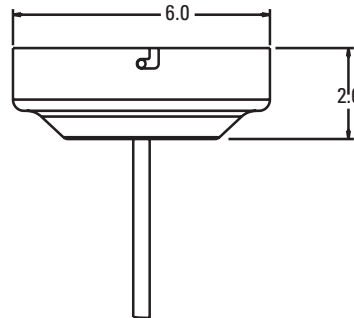
Cord (120" provided)

PDPF EL<sup>1,3</sup>  
Mounting canopy/extrusion attaches directly to J-Box  
RC120



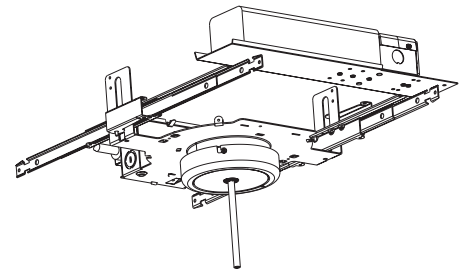
Cord (120" provided)

PDPF - Vertical  
Mounting canopy attaches directly to J-Box  
RC120

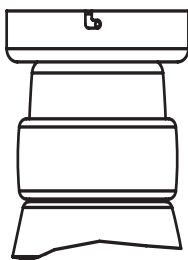


Cord (120" provided)

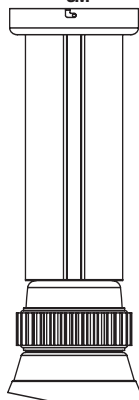
GRS<sup>2</sup>  
Recessed mounting frame option  
RC120



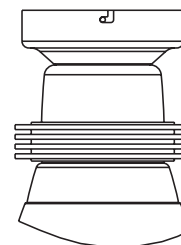
PDPF Horizontal, Candéo®, Ice™  
Mounting canopy attaches directly to J-Box  
SM



PDPF EL<sup>3</sup>  
Mounting canopy/extrusion attaches directly to J-Box  
SM



PDPF - Vertical  
Mounting canopy attaches directly to J-Box  
SM



NOTES

- 1 Only available with PDPF 1-lamp vertical luminaire.
- 2 Access above ceiling required.
- 3 Extrusion will always be perpendicular to ceiling.

**DLCF-170**

©2007, 2012 Acuity Brands Lighting, Inc.

All Rights Reserved. Rev. 02/12

Specifications subject to change without notice.

gotham  
An Acuity Brands Company

GOTHAM ARCHITECTURAL DOWNLIGHTING

1400 Lester Road Conyers Georgia 30012

P 800 315 4982 F 770 860 3129

www.gothamlighting.com