

Inde-Pendant Pendant Indirect/Direct

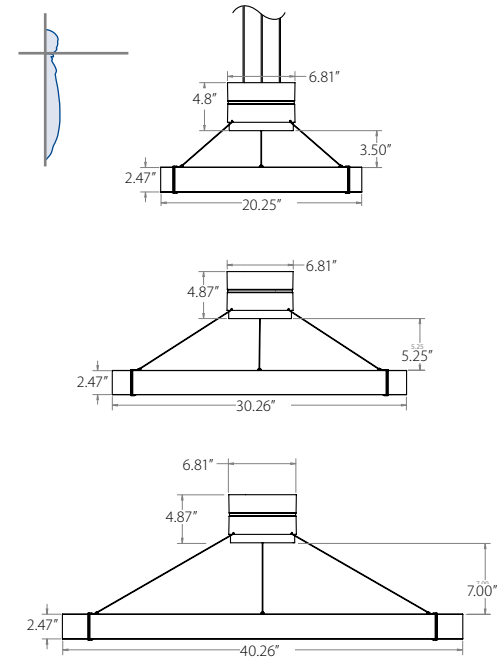
Fixture Type:

Project Name:

Ordering Guide

Feature	Code	Options	Description
Series		32L	Inde-Pendant
Configurations		CR20 CR30 CR40	Cylinder + 20" Diameter Ring Cylinder + 30" Diameter Ring Cylinder + 40" Diameter Ring
Mounting		P	Pendant
Fixture distribution		ID	Indirect/Direct
Primary Finish		C1 C4 C5 CC	Matte White (Default) Machined Aluminum Carbon Black Custom Color
Accent Finish		/AC1 /AC4 /AC5 /ACC	Matte Finish (Default) Machined Aluminum Carbon Black Custom Color
Color temperature		30K 35K 40K	3000K 3500K 4000K
Cylinder Indirect Output <i>(specifiable in 50 lumens increments)</i>		I075 I300	750 3000
Cylinder Direct Output <i>(specifiable in 50 lumens increments)</i>		D060 D300	600 3000
Ring Output <i>(specifiable in 50 lumens increments)</i>		R035 R230	350 2300
Driver		NDM D01 LEC LHI LTW DALI D10	Non Dimming 1% Dimming, 0-10V Hi-lume 1% EcoSystem LED driver Hi-lume 1% 3-wire LED driver Hi-lume 1% 2-wire LED driver(120V forward phase only) Digital Addressable Lighting Interface 10% Dimming, 0-10V* *347 Volt only
Circuiting		3C	3 Circuit *See 32L Installation instructions for wiring options to address Nightlight and Single Circuiting options available
Voltage		UNV 120 347	Universal Voltage (120-277) 120 Volt* 347 Volt** *LTW only **Excludes D01, DALI and Lutron Dimming Options
Ceiling Type		GDW PT OC	Grid or Drywall (Default) Plaster Trim Open Ceiling
Suspension kit		FA5 FA6 FA7	Suspension Kit, 48" (Default) Suspension Kit, 120" Suspension Kit, 240"
Canopy Color		/C1 /C4 /C5 /CC	Matte White (Default) Machined Aluminum Carbon Black Custom Color

Optional Features	Code	Options	Description
Chicago Environmental Air Modification		CCEA	Chicago Environmental Air Modification



Key Features

- Variable Intensity technology provides specifiable lumen output/wattage
- 2.5 SDCM color variation
- Remote-mounted driver assembly
- Customizable finish variations



Quick Find litecontrol.com

32L-CR-P-ID

LED / 32L-CR-P-ID

Inde-Pendant Pendant Indirect/Direct

Details

Construction:

Driver enclosure (GDW & PT)- Die formed steel. Canopy assembly contains die cast aluminum housing with steel canopy fascia plate that secures to housing using neodymium magnets. Canopy contains nylon bushings as power over aircraft isolation.

Cylinder- Die cast aluminum cylinders containing nylon bushings as power over aircraft isolation.

Ring-Roll formed extruded aluminum joined by die cast aluminum brackets containing nylon bushings as power over aircraft isolation.

Ring collar- Die cast aluminum with injection molded plastic insert for cable insulation.

Diffuser:

Cylinder- Inner lens is soft diffuse acrylic.

Cylinder- Outer lens is clear acrylic.

Ring- Soft diffuse flexible acrylic film.

Finish/Color:

Visit www.litecontrol.com/finishes for details.

CCT:

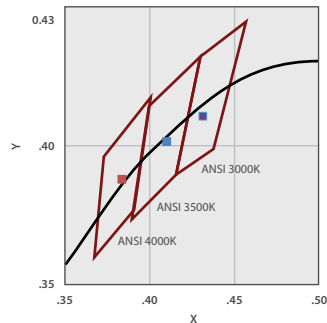
30K-3000K output multiplier (0.97)

35K-3500K output multiplier (1.00)

40K-4000K output multiplier (1.02)

*All photometric files below based off 3500K. Any deviation from this color temperature is subject to have lumen output altered by multiplier shown.

Ex. 2000 lm x .97=1940 lm in 3000K



Color Variation:

2.5 step MacAdam ellipse

Driver Lumen Output Ranges:

Ring

D01 or NDM: R035-R230

LHI or LEC: R050-R230

DALI: R035-R230

LTW: R050-R230

347V: R065-R230

Indirect

D01 or NDM: I075-I300

LHI or LEC: I100-I300

DALI: I075-I300

LTW: I100-I300

347V: I135-I300

Direct

D01 or NDM: D060-D300

LHI or LEC: D080-D300

DALI: D060-D300

LTW: D080-D300

347V: D110-D300

Output (VI technology):

Variable Intensity (VI) technology allows precise specification of fixture output/wattage. Fixture will be programmed and labeled to specification. Specify each in 50 lumen increments within the below range:

	Lumens	Nomenclature
Cylinder Indirect		
Min:	750	I075
Max:	3000	I300
Cylinder Direct		
Min:	600	D060
Max:	3000	D300
Ring		
Min:	350	R035
Max:	2300	R230

Driver:

NDM: Non-dimming. Fixture will be wired for fixed light output.

D10: 100%-10% dimming range. Fixture will be wired for low voltage 0-10V dimming control. *347V only.

D01: 100%-1% dimming range. Fixture will be wired for low voltage 0-10V dimming control.

LEC: 100%-1% dimming range. Lutron Ecosystem compatible using Lutron A-Series driver.

LHI: 100%-1% dimming range. Lutron Hi-Lume 3 wire dimming compatible using Lutron A-Series driver.

LTW: Lutron Hi-Lume 2-wire dimming using Lutron A-Series driver

DALI: DALI compatible

*See driver limitations in Driver lumen output ranges section below.

Field Accessibility:

LED drivers and light engines can be accessed and removed from below ceiling. Contact factory for details.

Circuiting:

3C (3 Circuit) Fixture wired for 3 circuits.

Suspension Kit:

Class 2 power over aircraft cable, 1/16" diameter field-adjustable. Ship separately installed with driver enclosure.

Rated Life (LED Board):

Tested in accordance to LM79-2008 & derived from EPA TM-21 calculator L70: >51,000 hours

Rated Life (Driver):

100,000 hours

Fixture weight:

10 lbs

Ratings:

CSA listed for damp locations. IBEW. AF of L.

Warranty:

LED boards- 5 years

LED drivers (standard)- 5 years

LED drivers (Lutron)- 3 years

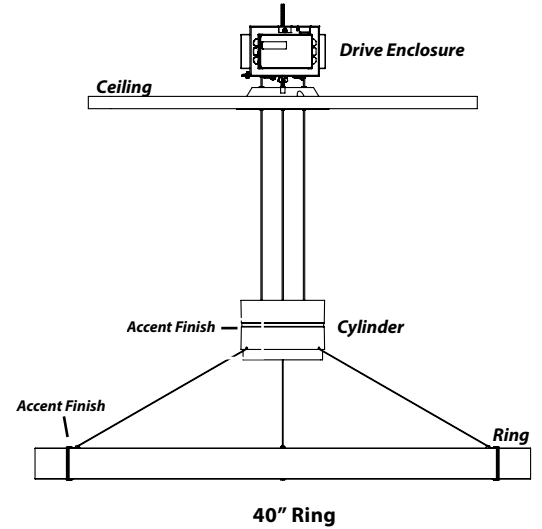
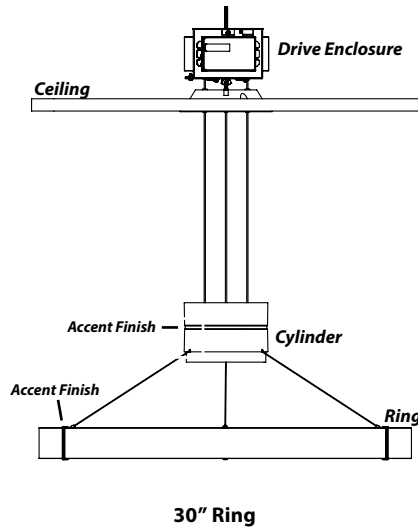
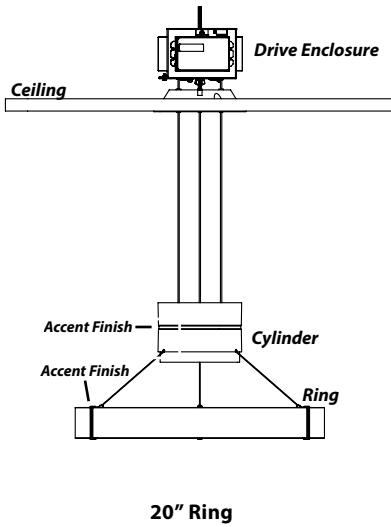
Inde-Pendant Pendant Indirect/Direct

Details (continued)

Planning for Installation:

Minimum distance of 12" between ceiling plane and cylinder to ensure access into driver enclosure.

*For complete details, reference Installation Instructions at Litecontrol.com.



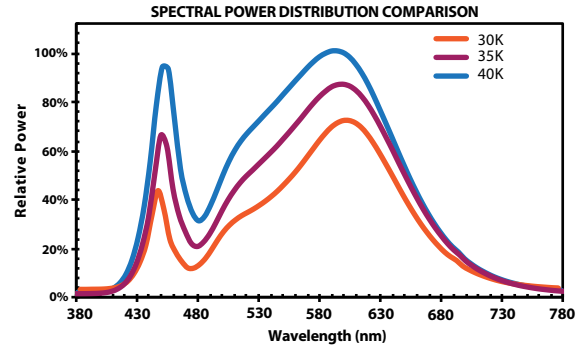
Inde-Pendant Pendant Indirect/Direct

Cylinder Details

Color Characteristics:

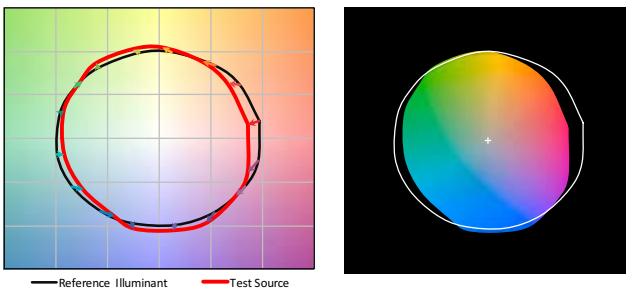
Value	30K	35K	40K
Rf	81	82	82
Rg	97	96	96
CCT (K)	3084	3480	4017
Duv	-0.0004	0.0006	0.0006
x	0.4305	0.4070	0.3801
y	0.4007	0.3929	0.3778
CIE Ra	81	82	83

Spectral Distribution:

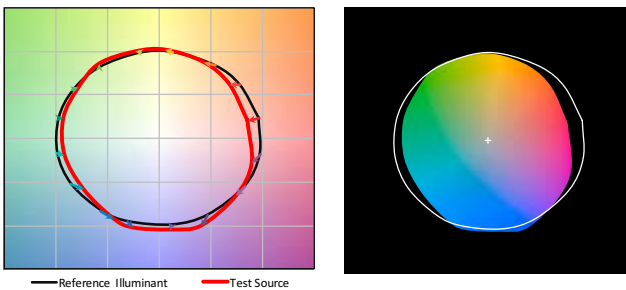


Color Vector Graphic:

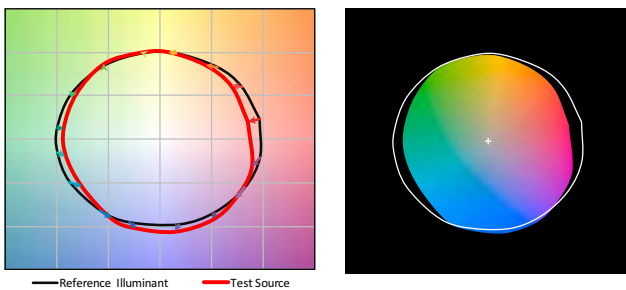
30K:



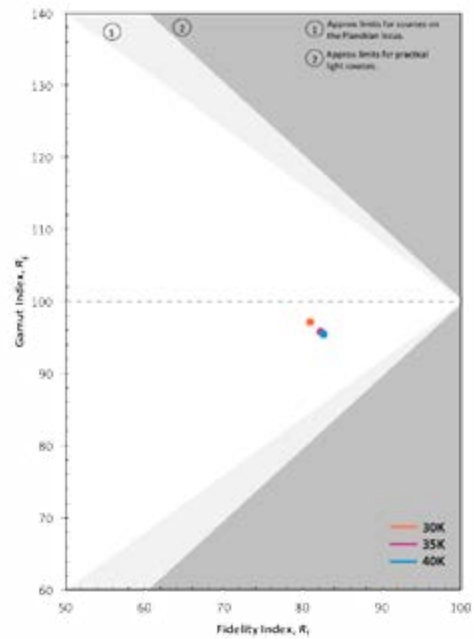
35K:



40K:



Color Gamut/Fidelity Plot:



CRI:
80 minimum

CCT	CRI	R1	R2	R3	R4	R5	R6	R7	R8	R9	R10	R11	R12	R13	R14
30K	81	79	88	96	79	79	85	83	58	3	73	78	68	80	98
35K	82	80	89	95	81	80	85	85	62	8	74	79	65	82	97
40K	83	81	89	94	82	81	85	86	65	9	73	80	64	82	97

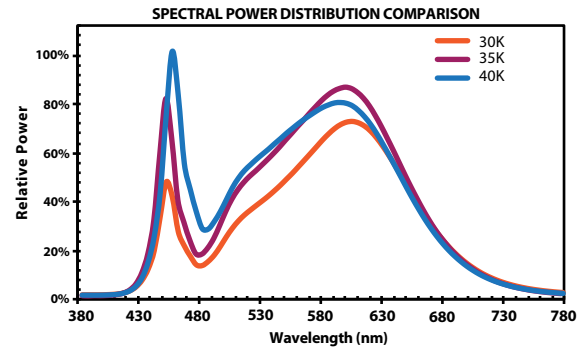
Inde-Pendant Pendant Indirect/Direct

Ring Details

Color Characteristics:

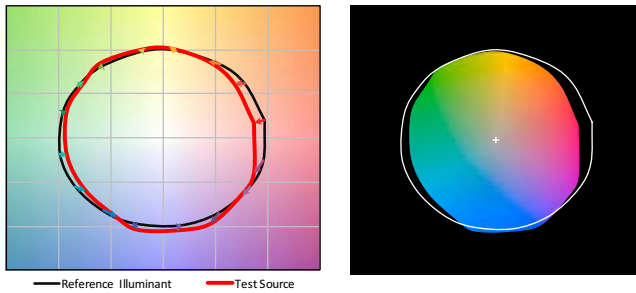
Value	30K	35K	40K
Rf	83	82	82
Rg	97	97	94
CCT (K)	3101	3508	4086
Duv	0.0001	-0.0001	0.0015
x	0.4300	0.4048	0.3777
y	0.4018	0.3902	0.3781
CIE Ra	83	83	84

Spectral Distribution:

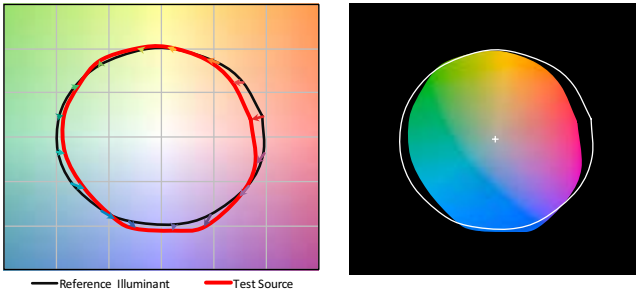


Color Vector Graphic:

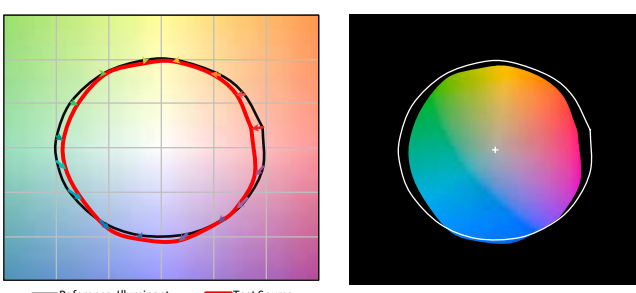
30K:



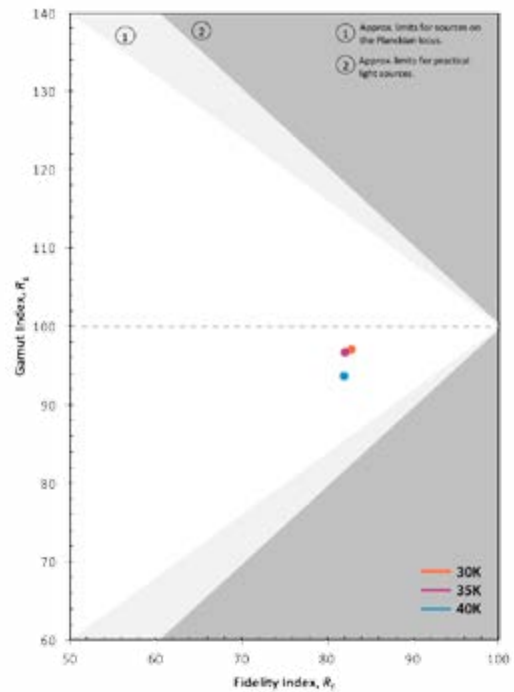
35K:



40K:



Color Gamut/Fidelity Plot:



CRI:

80 minimum

CCT	CRI	R1	R2	R3	R4	R5	R6	R7	R8	R9	R10	R11	R12	R13	R14
30K	83	81	90	96	82	81	87	85	63	14	76	80	67	83	98
35K	83	81	89	95	82	81	85	86	64	11	73	81	63	82	97
40K	84	83	91	96	82	82	87	87	67	18	78	80	59	85	98

Inde-Pendant Pendant Indirect/Direct

Photometry

Fixture: 32L-CR30-P-ID-cx/cx-30K-I260/D245/R215

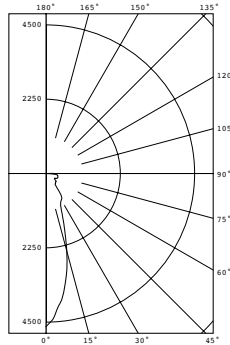
CCT: 3000K

Output: I260/D245/R215

Nominal lumens: 6600 lumens

Efficacy: 80 lm/W

Test report: 32L-CR30-P-ID-cx/cx-30K-I260-D245/R215.IES



Zonal Lumens

Zone	Lumens	Lamp %
0-40	1993	26.7
0-60	2619	35.0
0-90	3577	47.8
90-180	3901	52.2
0-180	7478	100.0

Performance- Ring

Nomenclature	Lumens/unit	W/unit	Efficacy
R035	350	5.7	61
R040	400	6.4	63
R045	450	7.0	64
R050	500	7.7	65
R055	550	8.4	66
R060	600	9.0	67
R065	650	9.7	67
R070	700	10.3	68
R075	750	11.0	68
R080	800	11.6	69
R085	850	12.3	69
R090	90	13.0	69
R095	950	13.6	70
R100	1000	14.3	70
R105	1050	14.9	70
R110	1100	15.6	71
R115	1150	16.3	71
R120	1200	16.9	71
R125	1250	17.6	71
R130	1300	18.4	71
R135	1350	19.1	71
R140	1400	19.8	71
R145	1450	20.6	71
R150	1500	21.3	70
R155	1550	22.0	70
R160	1600	22.7	70
R165	1650	23.5	70
R170	1700	24.2	70
R175	1750	24.9	70
R180	1800	25.7	70
R185	1850	26.4	70
R190	1900	27.1	70
R195	1950	27.8	70
R200	2000	28.6	70
R205	2050	29.3	70
R210	2100	30.1	70
R215	2150	30.9	70
R220	2200	31.7	69
R225	2250	32.5	69
R230	2300	33.3	69

(wattage may vary up to 5% from published)

Performance- Cylinder Direct

Nomenclature	Lumens/unit	W/unit	Efficacy
D060	600	7.7	78
D065	650	8.1	80
D070	700	8.6	82
D075	750	9.0	84
D080	800	9.4	85
D085	850	9.8	87
D090	900	10.2	88
D095	950	10.7	89
D100	1000	11.1	90
D105	1050	11.5	91
D110	1100	11.9	92
D115	1150	12.4	93
D120	1200	12.8	94
D125	1250	13.2	95
D130	1300	13.6	95
D135	1350	14.2	95
D140	1400	14.7	95
D145	1450	15.3	95
D150	1500	15.8	95
D155	1550	16.4	95
D160	1600	16.9	95
D165	1650	17.5	95
D170	1700	18.0	94
D175	1750	18.6	94
D180	1800	19.1	94
D185	1850	19.7	94
D190	1900	20.2	94
D195	1950	20.8	94
D200	2000	21.4	93
D205	2050	22.1	93
D210	2100	22.8	92
D215	2150	23.4	92
D220	2200	24.1	91
D225	2250	24.7	91
D230	2300	25.4	91
D235	2350	26.0	90
D240	2400	26.6	90
D245	2450	27.2	90
D250	2500	27.8	90
D255	2550	28.4	90
D260	2600	28.8	90
D265	2650	29.2	91
D270	2700	29.6	91
D275	2750	30.0	92
D280	2800	30.4	92
D285	2850	30.8	92
D290	2900	31.2	93
D295	2950	31.6	93
D300	3000	32.5	92

(wattage may vary up to 5% from published)

Performance- Cylinder Indirect

Nomenclature	Lumens/unit	W/unit	Efficacy
I075	750	7.6	99
I080	800	7.9	101
I085	850	8.2	104
I090	900	8.6	105
I095	950	8.9	107
I100	1000	9.2	109
I105	1050	9.6	109
I110	1100	9.9	111
I115	1150	10.2	113
I120	1200	10.6	113
I125	1250	10.9	115
I130	1300	11.2	116
I135	1350	11.6	116
I140	1400	11.9	118
I145	1450	12.3	118
I150	1500	12.7	118
I155	1550	13.1	118
I160	1600	13.6	118
I165	1650	14.0	118
I170	1700	14.4	118
I175	1750	14.9	118
I180	1800	15.3	118
I185	1850	15.7	118
I190	1900	16.2	118
I195	1950	16.5	118
I200	2000	17.0	118
I205	2050	17.5	117
I210	2100	17.9	117
I215	2150	18.4	117
I220	2200	18.8	117
I225	2250	19.3	117
I230	2300	19.8	116
I235	2350	20.2	116
I240	2400	20.7	116
I245	2450	21.2	116
I250	2500	21.6	116
I255	2550	22.1	115
I260	2600	22.6	115
I265	2650	23.1	115
I270	2700	23.5	115
I275	2750	24.1	115
I280	2800	24.8	113
I285	2850	25.5	112
I290	2900	26.2	111
I295	2950	26.8	110
I300	3000	27.5	109

(wattage may vary up to 5% from published)