

Satellite/CATV Drop Installation Materials

b

900MHz MATV Splitters	B1	Aluminum Grounding Wire	B21
1GHz 90dB F-Splitters	B1	Copper Grounding Wire	B21
1GHz 130dB F-Splitters	B2	Galvanized Poleline Hardware	B22
1GHz 130dB One-Side Splitters	B2	Stainless Steel Lashing Wire	B22
1GHz 90dB Vertical F-Splitters	B3	Anchor Kit	B23
1GHz 130dB Vertical Splitters	B4	Hex Head Mounting Screws	B23
1GHz 130dB Digital Splitters	B5	Mounting Anchors	B23
2.4GHz Satellite Splitters	B6	DSS Quick Pipe Adapters	B24
1GHz Directional Couplers	B7	Dish Positioning Compass	B24
Inline Attenuator Pads	B8	F-F Flat Through Cable	B24
Inline DC Passing Attenuators	B8	Satellite Dish Levels	B24
Voltage Blocking Coupler	B8	Cable Siding Clips	B25
Coaxial Surge Protector	B8	Coaxial Cable Clips	B25
Satellite Diplexer-Mixers	B9	Flat-Cable Clips	B25
Band Separator-Combiners	B9	Ground Wire Clips	B25
Signal Combiners	B9	Grip-Clip™ Mounting Clips	B26
CATV Amplifiers	B10	Nylon Cable Clamps	B26
Mast-Mount Video Amplifier	B10	Metal Cable Clamps	B26
CATV Distribution Amplifier	B10	Feed-Through Bushings	B27
1 GHz CATV Drop Amplifiers	B11	Cable Strain-Relief Boots	B27
Satellite Inline Amplifiers	B12	Weather Boots	B27
DSS Circular Ku-Band LNBF	B12	Box Service Enclosure	B27
Satellite Antenna Tripod	B12	Self-Locking Cable Ties	B28
Satellite Multiswitches	B13	Hook-and-Loop Wire Ties	B28
DSS Tone-Controlled Switch	B13	Electrical Tape	B28
22kHz Satellite Multiswitches	B14	Split Wire Conduit	B28
SkySwitcher™ Multiswitches	B15	TV-Telephony Wall Plates	B29
Cascade Multiswitches	B16	Mid-Size Telephony Wall Plates	B30
SkySwitcher™ Cascade Amp	B16	Decorator-Style Wall Plates	B30
Dual Satellite Signal Level Meter	B17	Economy Decorator Wall Plates	B30
SkySpectra™ Analyzers	B17	Audio-Video Senders	B31
Satellite Finder Meters	B18	Wireless Security Camera	B31
SkyTracker™ Signal Meters	B18	Audio-Video RF Modulator	B32
SkyTracker™ Satellite Finder	B18	Remote Signal Extender	B32
F Ground Blocks	B19	TV Antenna Rotators	B32
Premium F Ground Blocks	B19	Audio-Video Selectors	B33
Ground Straps	B20	Coaxial Switches	B33
Grounding Rods	B20	Matching Transformers	B34
Silicone Compounds	B20	Band Separators	B34
Grounding Hardware	B21	Signal Combiners	B34
Split-Bolt Ground Connectors	B21		

900MHz MATV Splitters

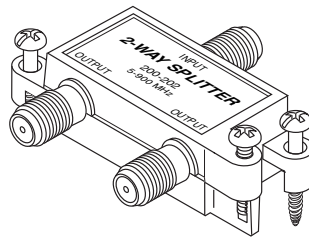
5-900MHz 75Ω MATV Low-Cost F Splitters
Suitable for Consumer MATV Applications
DC Power-Passing – Epoxy-Sealed Back-Cover
Anti-Corrosion Plating – Zinc-Alloy Cast Housing
Mounting Tabs with Screws – Cast-In Ground Block

- 200-202** 2-Way 900MHz F Mini-Splitter
- 200-203** 3-Way 900MHz F Mini-Splitter
- 200-204** 4-Way 900MHz F Mini-Splitter
- 200-206** 6-Way 900MHz F-Splitter
- 200-208** 8-Way 900MHz F-Splitter
- 200-212** 2-Way 900MHz F Mini-Splitter – Gold
- 200-213** 3-Way 900MHz F Mini-Splitter – Gold
- 200-214** 4-Way 900MHz F Mini-Splitter – Gold
- 200-222** 2-Way 900MHz F-Splitter
- 200-223** 3-Way 900MHz F-Splitter
- 200-224** 4-Way 900MHz F-Splitter

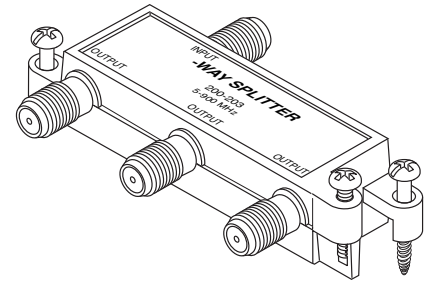
1GHz 90dB F-Splitters

5-1000MHz 75Ω High-Isolation F-Splitters
Capacitor-Coupled DC Power Blocked All Ports
90dB min RFI Shielding – Epoxy-Sealed Back-Cover
High-Performance Printed-Board Circuitry
Improved Hum Modulation and Intermodulation
Yellow-Chromate Plating – Zinc-Alloy Cast Housing
3/8" Precision Machined F-Connector Threads
Mounting Tabs with Screws – Cast-In Ground Block
1" centered F-ports accommodate security tools
SCTE Compliant SC IPS SP 202, 203;
SC IPS TP 406, 409; SCTE 29, 48, 04

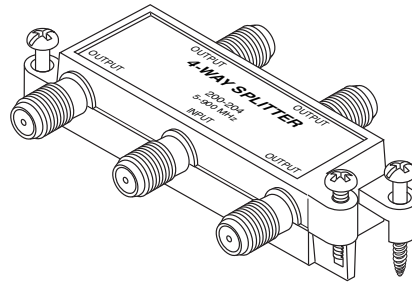
- 201-201** 3-Way Balanced 1GHz 90dB F-Splitter
Insertion Loss 6.7dB max.
Port-Port Isolation 27dB min.
Input Return Loss 24dB min.
- 201-202** 2-Way 1GHz 90dB F-Splitter
Insertion Loss 4.5dB max.
Port-Port Isolation 31dB min.
Input Return Loss 20dB min.
- 201-203** 3-Way 1GHz 90dB F-Splitter
Insertion Loss 3.9/7.7dB max.
Port-Port Isolation 25dB min.
Input Return Loss 26dB min.
- 201-204** 4-Way 1GHz 90dB F-Splitter
Insertion Loss 7.7dB max.
Port-Port Isolation 28dB min.
Input Return Loss 25dB min.



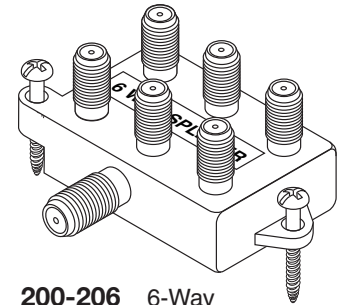
200-202 2-Way Mini
200-212 2-Way Mini Gold
200-222 2-Way



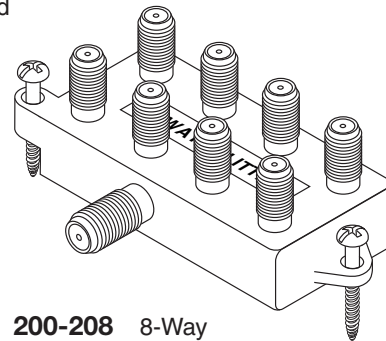
200-203 3-Way Mini
200-213 3-Way Mini Gold
200-223 3-Way



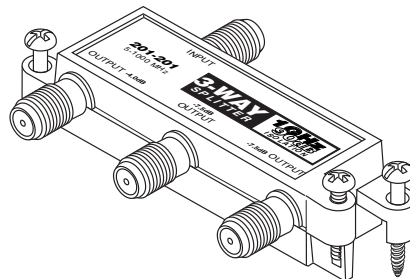
200-204 4-Way Mini
200-214 4-Way Mini Gold
200-224 4-Way



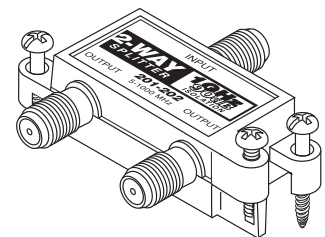
200-206 6-Way



200-208 8-Way



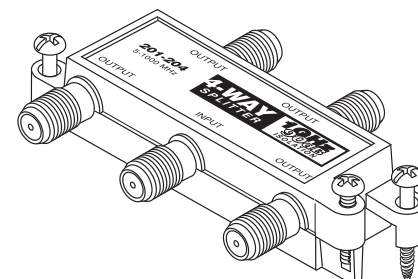
201-201 3-Way Balanced 1GHz 90dB
201-203 3-Way 1GHz 90dB



201-202 2-Way 1GHz 90dB

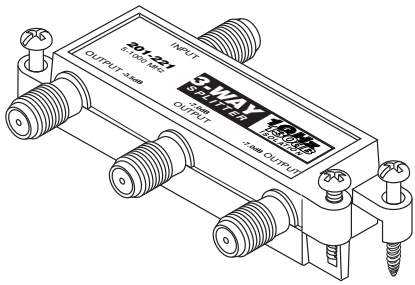


Chromate Plated
Epoxy-Sealed
DC Blocked

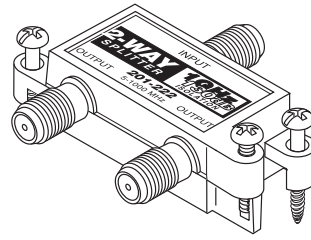


201-204 4-Way 1GHz 90dB

1GHz 130dB F-Splitters



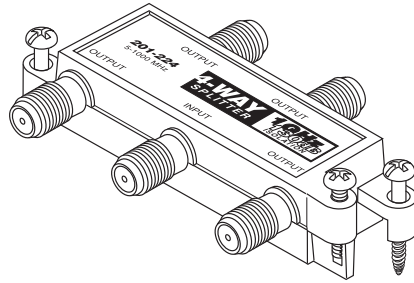
201-221 3-Way Balanced 1GHz 130dB
201-223 3-Way 1GHz 130dB



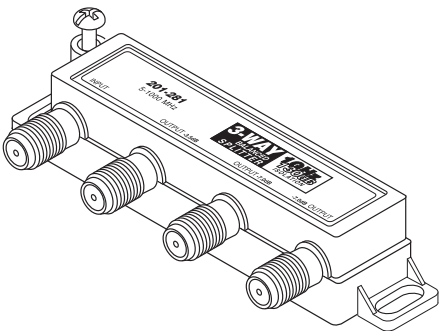
201-222 2-Way 1GHz 130dB



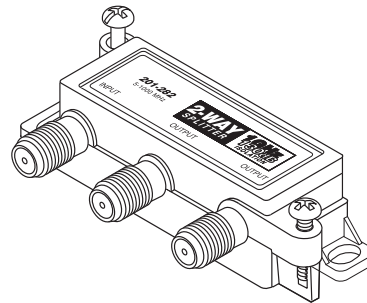
Silver Plated
Soldered Back
DC Blocked



201-224 4-Way 1GHz 130dB



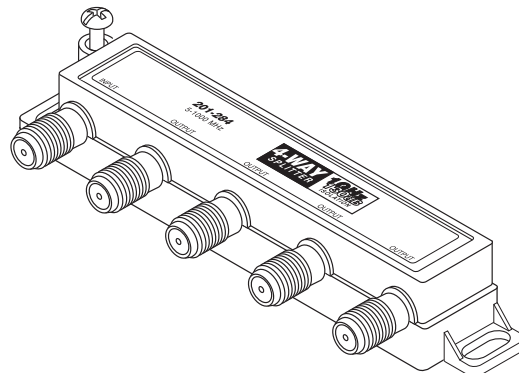
201-281 3-Way Balanced 1GHz 130dB
201-283 3-Way 1GHz 130dB



201-282 2-Way 1GHz 130dB



Nickel Plated
Soldered Back
DC Blocked



201-284 4-Way 1GHz 130dB

5-1000MHz 75Ω Highest Isolation F-Splitters
Capacitor-Coupled DC Power Blocked All Ports
Soldered-Back Cover 130dB min. RFI Shielding
High-Performance Printed-Board Circuitry
>-100dB Low Intermodulation Distortion
Anti-Corrosion Silver-Plated Zinc-Alloy Cast Housing
3/8" Precision Machined F-Connector Threads
Mounting Tabs with Screws – Cast-In Ground Block
1" centered F-ports accommodate security tools
SCTE Compliant SC IPS SP 202, 203;
SC IPS TP 406, 409; SCTE 29, 48, 04

201-221 3-Way Balanced 1GHz 130dB F-Splitter
Insertion Loss 6.5dB max.
Port-Port Isolation 28dB min.
Input Return Loss 20dB min.

201-222 2-Way 1GHz 130dB F-Splitter
Insertion Loss 4.2dB max.
Port-Port Isolation 31dB min.
Input Return Loss 23dB min.

201-223 3-Way 1GHz 130dB F-Splitter
Insertion Loss 3.8/7.7dB max.
Port-Port Isolation 32dB min.
Input Return Loss 20dB min.

201-224 4-Way 1GHz 130dB F-Splitter
Insertion Loss 7.0dB max.
Port-Port Isolation 27dB min.
Input Return Loss 24dB min.

1GHz 130dB One-Side Splitters

5-1000MHz 75Ω Highest Isolation F-Splitters
Horizontal One-Sided Input and Output Ports
One-sided port design allows close mounting in
lock-boxes for easy access of cable connections
Tongue-and-Groove Housing – Fully Water Resistant
Soldered-Back Cover 130dB min. EMI-RFI Shielding
Capacitor-Coupled DC Power Blocked All Ports
High-Performance Printed-Board Circuitry
>-100dB Low Intermodulation Distortion
Mounting Tabs with Screws – Cast-In Ground Block
Anti-Corrosion Nickel-Plated Zinc-Alloy Cast Housing
3/8" Precision Machined F-Port Threads
1" centered F-ports accommodate security tools
SCTE Compliant SC IPS SP 202, 203;
SC IPS TP 406, 409; SCTE 29, 48, 04
Supplied with protective F-port plastic caps

201-281 3-Way Balanced 1GHz 130dB F-Splitter
Insertion Loss 6.5dB max.
Port-Port Isolation 29dB min.
Input Return Loss 25dB min.

201-282 2-Way 1GHz 130dB F-Splitter
Insertion Loss 3.8dB max.
Port-Port Isolation 30dB min.
Input Return Loss 21dB min.

201-283 3-Way 1GHz 130dB F-Splitter
Insertion Loss 3.8/7.8dB max.
Port-Port Isolation 28dB min.
Input Return Loss 23dB min.

201-284 4-Way 1GHz 130dB F-Splitter
Insertion Loss 7.7dB max.
Port-Port Isolation 25dB min.
Input Return Loss 22dB min.

1GHz 90dB Vertical F-Splitters

5-1000MHz 75Ω High Isolation F-Splitters
 Vertical port design allows close mounting in
 lock boxes for easy access of cable connections
 Capacitor-Coupled DC Power Blocked All Ports
 90dB min RFI Shielding – Epoxy-Sealed Back-Cover
 High-Performance Printed-Board Circuitry
 Improved Hum Modulation and Intermodulation
 Yellow-Chromate Plating – Zinc-Alloy Cast Housing
 3/8" Precision Machined F-Connector Threads
 Mounting Tabs with Screws – Cast-In Ground Block
 1" centered F-ports accommodate security tools
 SCTE Compliant SC IPS SP 202, 203;
 SC IPS TP 406, 409; SCTE 29, 48, 04

201-261 3-Way Balanced 1GHz 90dB F-Splitter
 Insertion Loss 6.2dB max.
 Port-Port Isolation 33dB min.
 Input Return Loss 21dB min.

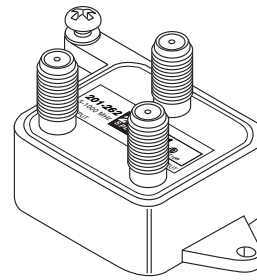
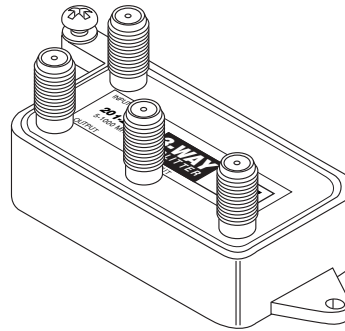
201-262 2-Way 1GHz 90dB F-Splitter
 Insertion Loss 4.0dB max.
 Port-Port Isolation 28dB min.
 Input Return Loss 25dB min.

201-263 3-Way 1GHz 90dB F-Splitter
 Insertion Loss 4.0/7.2dB max.
 Port-Port Isolation 32dB min.
 Input Return Loss 25dB min.

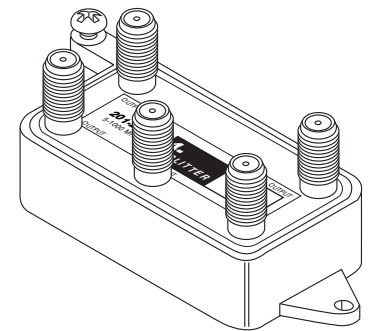
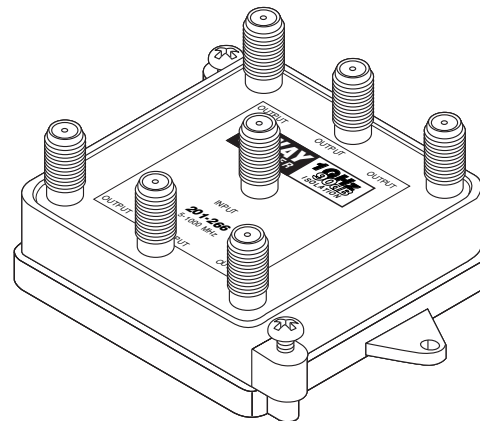
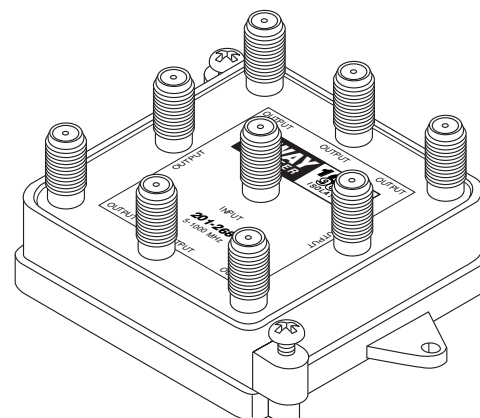
201-264 4-Way 1GHz 90dB F-Splitter
 Insertion Loss 7.1dB max.
 Port-Port Isolation 27dB min.
 Input Return Loss 26dB min.

201-266 6-Way 1GHz 90dB F-Splitter
 Insertion Loss 10.5dB max.
 Port-Port Isolation 25dB min.
 Input Return Loss 18dB min.

201-268 8-Way 1GHz 90dB F-Splitter
 Insertion Loss 11.2dB max.
 Port-Port Isolation 30dB min.
 Input Return Loss 26dB min.

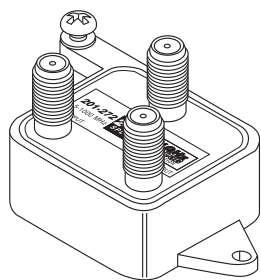
**201-262** 2-Way 1GHz 90dB**201-261** 3-Way Balanced 1GHz 90dB
201-263 3-Way 1GHz 90dB

Chromate Plated
 Epoxy-Sealed
 DC Blocked

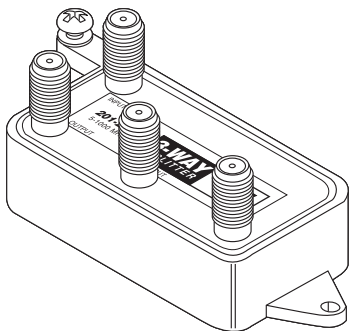
**201-264** 4-Way 1GHz 90dB**201-266** 6-Way 1GHz 90dB**201-268** 8-Way 1GHz 90dB

1GHz 130dB Vertical Splitters

5-1000MHz 75Ω Highest Isolation F-Splitters
Vertical port design allows close mounting in lock boxes for easy access of cable connections. Capacitor-Coupled DC Power Blocked All Ports Soldered-Back Cover 130dB min. RFI Shielding High-Performance Printed-Board Circuitry >-100dB Low Intermodulation Distortion Anti-Corrosion Silver-Plated Zinc-Alloy Cast Housing 3/8" Precision Machined F-Connector Threads Mounting Tabs with Screws – Cast-In Ground Block 1" centered F-ports accommodate security tools SCTE Compliant SC IPS SP 202, 203; SC IPS TP 406, 409; SCTE 29, 48, 04 Supplied with Protective F-Port Plastic Caps



201-272 2-Way 1GHz 130dB



201-271 3-Way Balanced 1GHz 130dB

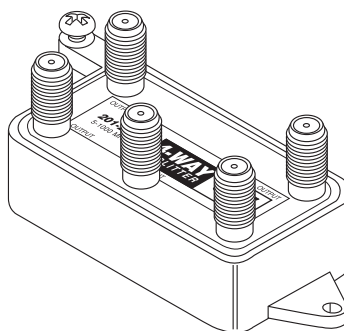
201-273 3-Way 1GHz 130dB



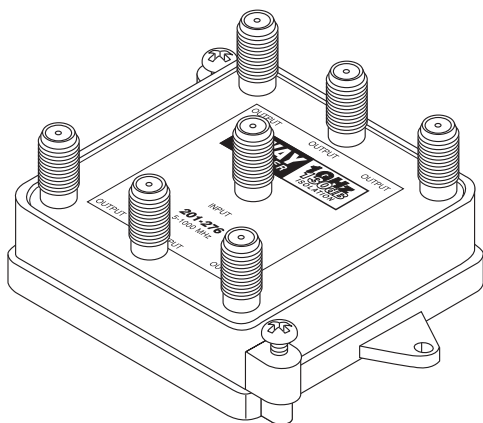
Protective Port Caps



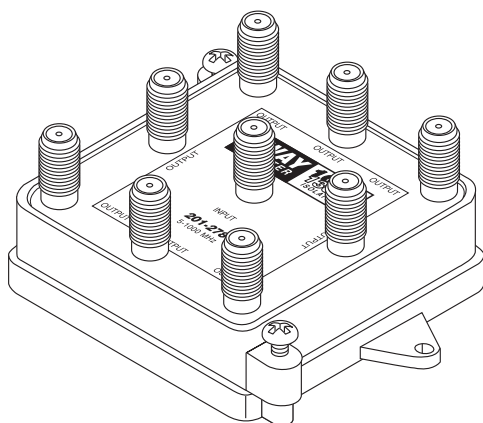
Silver Plated Soldered Back DC Blocked



201-274 4-Way 1GHz 130dB



201-276 6-Way 1GHz 130dB



201-278 8-Way 1GHz 130dB

201-271 3-Way Balanced 1GHz 130dB F-Splitter
Insertion Loss 6.2dB max.
Port-Port Isolation 34dB min.
Input Return Loss 21dB min.

201-272 2-Way 1GHz 130dB F-Splitter
Insertion Loss 3.9dB max.
Port-Port Isolation 27dB min.
Input Return Loss 25dB min.

201-273 3-Way 1GHz 130dB F-Splitter
Insertion Loss 4.0/7.1dB max.
Port-Port Isolation 32dB min.
Input Return Loss 24dB min.

201-274 4-Way 1GHz 130dB F-Splitter
Insertion Loss 7.2dB max.
Port-Port Isolation 26dB min.
Input Return Loss 27dB min.

201-276 6-Way 1GHz 130dB F-Splitter
Insertion Loss 10.3dB max.
Port-Port Isolation 26dB min.
Input Return Loss 18dB min.

201-278 8-Way 1GHz 130dB F-Splitter
Insertion Loss 11.4dB max.
Port-Port Isolation 31dB min.
Input Return Loss 27dB min.

1GHz 130dB Digital Splitters

Premium 1GHz 130dB Digital Ready Splitters
Broadband and CATV 5-1000MHz 75Ω Splitters
Suitable for Hybrid Distribution Networks, HDTV,
Voice, Data, Modem and Digital Converter Applications
Gold-Plated Beryllium-Copper Two-Prong Contacts
Reduced Aperture Flat-Ended Ports
High-Performance Printed Board Circuitry
Tongue-and-Groove Housing
All Ports DC Power Capacitor-Blocked
Low Intermodulation Hum
Soldered-Back Cover 130dB min. EMI-RFI Shielding
Anti-Corrosion Silver-Plated Zinc-Alloy Cast Housing
3/8" Precision Machined F-Port Threads
1" centered F-ports accommodate security tools
SCTE Compliant SC IPS SP 202, 203;
SC IPS TP 406, 409; SC TE 29, 48, 04
Supplied with Protective F-Port Plastic Caps

201-101 3-Way Balanced 1GHz 130dB F-Splitter
Insertion Loss 6.2dB max.
Port-Port Isolation 37dB min.
Input Return Loss 26dB min.

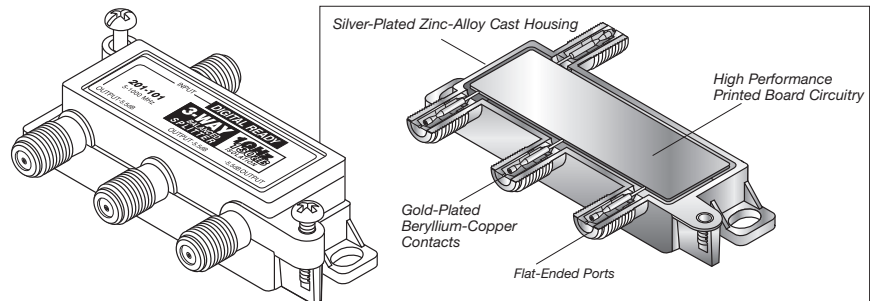
201-102 2-Way Balanced 1GHz 130dB F-Splitter
Insertion Loss 4.0dB max.
Port-Port Isolation 37dB min.
Input Return Loss 24dB min.

201-103 3-Way Unbalanced 1GHz 130dB F-Splitter
Insertion Loss 4.0/7.2dB max.
Port-Port Isolation 36dB min.
Input Return Loss 27dB min.

201-104 4-Way Balanced 1GHz 130dB F-Splitter
Insertion Loss 7.1dB max.
Port-Port Isolation 35dB min.
Input Return Loss 24dB min.

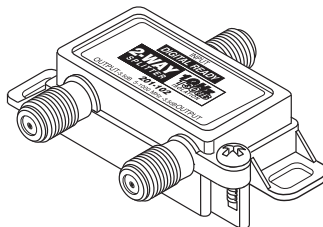
201-106 6-Way Balanced 1GHz 130dB F-Splitter
Vertical Port Configuration
Insertion Loss 10.2dB max.
Port-Port Isolation 28dB min.
Input Return Loss 25dB min.

201-108 8-Way Balanced 1GHz 130dB F-Splitter
Vertical Port Configuration
Insertion Loss 11dB max.
Port-Port Isolation 35dB min.
Input Return Loss 24dB min.



201-101 3-Way Balanced 1GHz 130dB

201-103 3-Way 1GHz 130dB



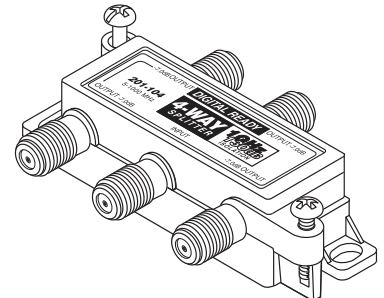
201-102 2-Way 1GHz 130dB



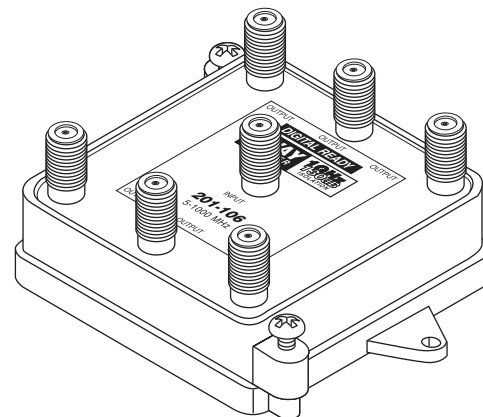
Protective
Port Caps



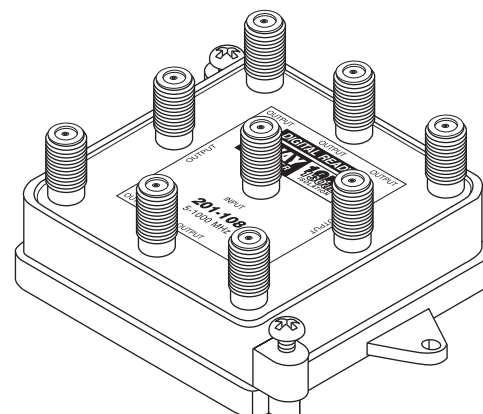
Flat Ports
Two-Prong Contacts
Soldered Back
Silver-Plated
DC Blocked



201-104 4-Way 1GHz 130dB



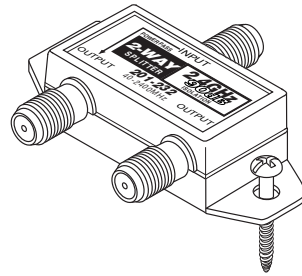
201-106 6-Way 1GHz 130dB



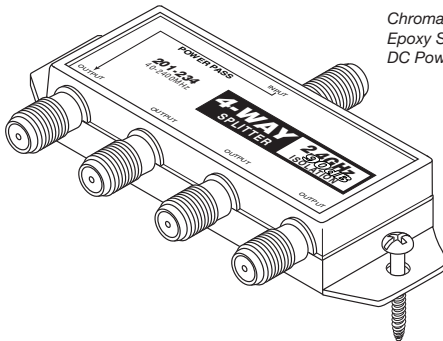
201-108 8-Way 1GHz 130dB

2.4GHz Satellite Splitters

40-2400MHz 75Ω High-Frequency F-Splitters
Suitable for Analog and Digital Satellite Applications
90dB min RFI Shielding – Epoxy-Sealed Back-Cover
High-Performance Printed-Board Circuitry
Improved Hum Modulation and Intermodulation
Yellow-Chromate Plating – Zinc-Alloy Cast Housing
3/8" Precision Machined F-Connector Threads
Mounting Tabs with Screws – Cast-In Ground Block
DC Power Passing to One or All Ports for
Remote LNB-Powering Applications and
Powering Antenna Pre-Amplifier from Headend
F-ports accommodate security tools

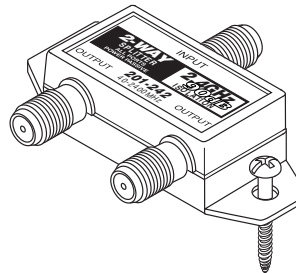


201-232 2-Way 2.4GHz 1-Port DC-Passing

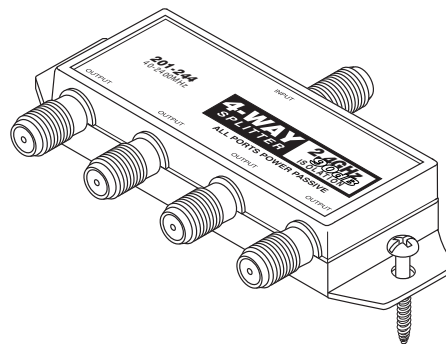


201-234 4-Way 2.4GHz 1-Port DC-Passing

Chromate Plated
Epoxy Sealed
DC Power Passing to One or All Ports



201-242 2-Way 2.4GHz DC-Passing



201-244 4-Way 2.4GHz DC-Passing

201-232 2-Way 2.4GHz 90dB Satellite-Splitter
DC Power Passing to One Port
Insertion Loss 4.4dB max.
Port-Port Isolation 12dB min.
Input Return Loss 12dB min.

201-234 4-Way 2.4GHz 90dB Satellite-Splitter
DC Power Passing to One Port
Insertion Loss 8.8dB max.
Port-Port Isolation 20dB min.
Input Return Loss 12dB min.

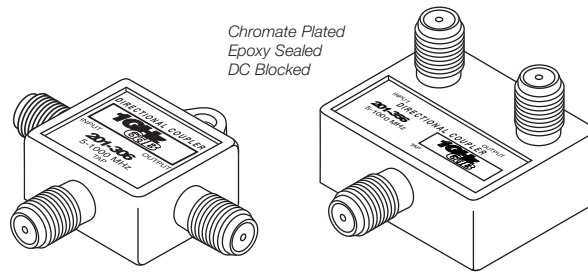
201-242 2-Way 2.4GHz 90dB Satellite-Splitter
DC Power Passing to All Ports
DC Power Forward Bias
Insertion Loss 4.6dB max.
Port-Port Isolation 15dB min.
Input Return Loss 30dB min.

201-244 4-Way 2.4GHz 90dB Satellite-Splitter
DC Power Passing to All Ports
DC Power Forward Bias
Insertion Loss 7.9dB max.
Port-Port Isolation 20dB min.
Return Loss 8dB min.

1GHz Directional Couplers

5-1000MHz 75Ω Directional Couplers
 90dB min RFI Shielding – Epoxy-Sealed Back-Cover
 High Isolation of Reflected Signals
 Printed-Board Circuitry – 2-Way System Compatible
 Anti-Corrosion Plating – Zinc-Alloy Cast Housing
 3/8" Precision Machined F-Connector Threads
 Capacitor-Coupled DC Power Blocked All Ports
 T-Type or Wall-Plate Mount Configurations

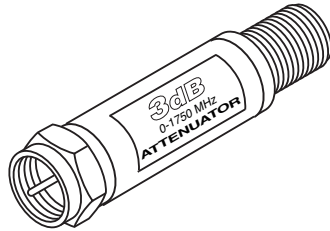
- 201-306** 6dB T-Type Directional Coupler
- 201-309** 9dB T-Type Directional Coupler
- 201-312** 12dB T-Type Directional Coupler
- 201-316** 16dB T-Type Directional Coupler
- 201-320** 20dB T-Type Directional Coupler
- 201-324** 24dB T-Type Directional Coupler
- 201-327** 27dB T-Type Directional Coupler
- 201-330** 30dB T-Type Directional Coupler
- 201-356** 6dB Plate-Mount Directional Coupler
- 201-359** 9dB Plate-Mount Directional Coupler
- 201-362** 12dB Plate-Mount Directional Coupler
- 201-366** 16dB Plate-Mount Directional Coupler
- 201-370** 20dB Plate-Mount Directional Coupler
- 201-374** 24dB Plate-Mount Directional Coupler
- 201-377** 27dB Plate-Mount Directional Coupler
- 201-380** 30dB Plate-Mount Directional Coupler



- | | | | |
|----------------|------|----------------|------|
| 201-306 | 6dB | 201-356 | 6dB |
| 201-309 | 9dB | 201-359 | 9dB |
| 201-312 | 12dB | 201-362 | 12dB |
| 201-316 | 16dB | 201-366 | 16dB |
| 201-320 | 20dB | 201-370 | 20dB |
| 201-324 | 24dB | 201-374 | 24dB |
| 201-327 | 27dB | 201-377 | 27dB |
| 201-330 | 30dB | 201-380 | 30dB |

Specifications			
Tap Value (dB)	Insertion Loss (max./dB)	Isolation Output-Tap (dB)	Return Loss (nom./dB)
6	2.2	26	15
9	1	28	16
12	1	35	20
16	1	35	20
20	0.5	40	20
24	0.5	40	20
27	0.5	40	20
30	0.5	40	20

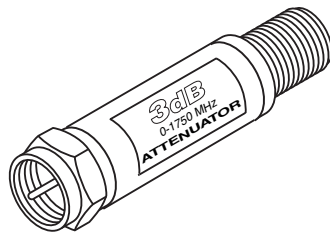
Inline Attenuator Pads



- 201-403** 3dB
- 201-406** 6dB
- 201-408** 8dB
- 201-410** 10dB
- 201-412** 12dB
- 201-416** 16dB
- 201-420** 20dB

0-1750MHz Female-to-Male Inline Attenuators
Monolithic Ceramic Printed-Board Circuitry
Nickel-Plated Machined Brass Construction
22-Gauge Spring-Steel Center – Tolerance 5%
Return Loss 20dB typical

- 201-403** 3dB Inline Attenuator Pad
- 201-406** 6dB Inline Attenuator Pad
- 201-408** 8dB Inline Attenuator Pad
- 201-410** 10dB Inline Attenuator Pad
- 201-412** 12dB Inline Attenuator Pad
- 201-416** 16dB Inline Attenuator Pad
- 201-420** 20dB Inline Attenuator Pad

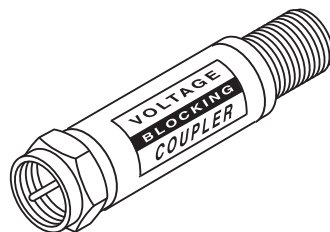


- 201-503** 3dB DC Power Passing
- 201-506** 6dB DC Power Passing
- 201-508** 8dB DC Power Passing
- 201-510** 10dB DC Power Passing
- 201-512** 12dB DC Power Passing
- 201-516** 16dB DC Power Passing
- 201-520** 20dB DC Power Passing

Inline DC Passing Attenuators

0-1750MHz Female-to-Male Inline Attenuators
DC Power Passing
Monolithic Ceramic Printed-Board Circuitry
Nickel-Plated Machined Brass Construction
22-Gauge Spring-Steel Center – Tolerance 5%
Return Loss 20dB typical

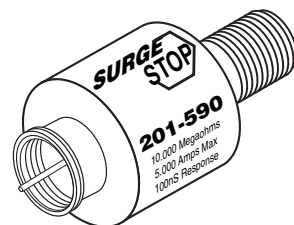
- 201-503** 3dB Inline DC-Passing Attenuator
- 201-506** 6dB Inline DC-Passing Attenuator
- 201-508** 8dB Inline DC-Passing Attenuator
- 201-510** 10dB Inline DC-Passing Attenuator
- 201-512** 12dB Inline DC-Passing Attenuator
- 201-516** 16dB Inline DC-Passing Attenuator
- 201-520** 20dB Inline DC-Passing Attenuator



201-500

Voltage Blocking Coupler

- 201-500** 5-1750MHz DC Blocking Coupler
Female-to-Male – Insertion Loss 0.3dB
Return Loss 16dB Typical
22-Gauge Spring-Steel Center
Nickel-Plated Machined Brass



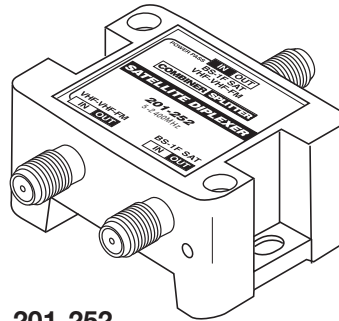
201-590

Coaxial Surge Protector

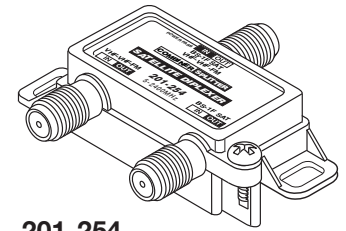
- 201-590** SurgeStop™ Coaxial Surge Protector
Provides lightning protection for satellite receivers, CATV converters, TVs, VCRs
10,000MΩ Protection – Self-Resetting
Response Time 100 ns
Surge Resistance ~0Ω
Frequency Range 5-2150MHz
Power Passing Capability:
10A 50VDC 36VAC RMS
Insertion Loss: <0.2dB Video –1500MHz
Return loss (75Ω):
16dB (VSWR 1.38) Video – 500 MHz
14dB (VSWR 1.50) 500-1500 MHz

Satellite Diplexer-Mixers

5-2400MHz Satellite Splitter-Combiners
Separates or combines off-air TV-antenna and satellite signals from or onto a single feed-line
High-Performance SMD Printed-Board Circuitry
Anti-Corrosion Nickel-Plated Zinc-Alloy Cast Housing
90dB min. RFI Shielding – Epoxy-Sealed Back-Cover
3/8" Precision Machined F-Connector Threads
DC Power Passing to One Port 500mA max.
Insertion Loss VHF-UHF 0.5dB – Satellite 1.5dB
Isolation VHF 25dB – UHF 20dB – Satellite 23dB
Return Loss VHF 18dB – UHF 10dB – Satellite 12dB



201-252



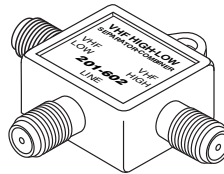
201-254

201-252 5-2400MHz TV-Satellite Diplexer
Dimensions 1 3/8"(W) x 2"(H) x 1"(D)
Nickel-Plated Zinc-Cast Housing

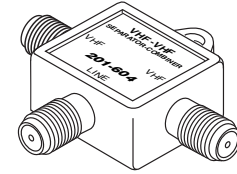
201-254 5-2400MHz TV-Satellite Mini-Diplexer
Dimensions 1 1/2"(W) x 5/8"(H) x 1"(D)
Chromate-Plated Zinc-Cast Housing

Band Separator-Combiners

3/8" Precision Machined F-Connector Threads
Epoxy Sealed Back Cover
Yellow Chromate-Plated Zinc-Alloy Cast Housing
Filters and mixes VHF and UHF signals, allowing mixing of multiple antennas onto single cable
Reduces harmonics and out-of-band interference
DC Power Passing All Ports
Insertion Loss 0.5dB max.
Port-Port Isolation 20dB min.
Input Return Loss 25-30dB min.



201-602



201-604

201-602 VHF Band High-Low Separator-Combiner
Separates and isolates or combines VHF low (54-108MHz) from VHF high (175-216MHz) signals for clean insertion into amplifiers

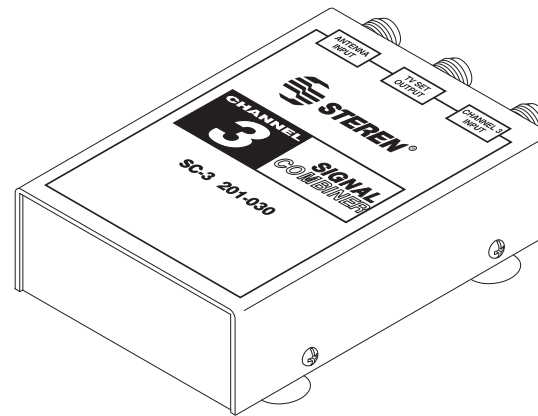
201-604 UHF-VHF Bands Separator-Combiner
Separates and isolates or combines VHF (54-216MHz) from UHF (407-809MHz) signals for clean insertion into amplifiers

Signal Combiners

Cost-Effective High-Quality Signal Combiners
Used with multiple TV sets for decoded programming
Precision-tuned 6-stage bandpass-bandstop filters provide 6MHz carrier-free environment for locally originated channel insertion
High Skirt Selectivity – Sharp Frequency Cut Off
Easy Balancing Adjustment Tuning
High Unwanted Signal Attenuation
Rejection Depth >25dB – Insertion Loss 3dB
Adjacent Channel Loss 5.5dB
Adjustable Balancing Attenuators
F-Type Connectors
Dimensions 3 3/8"(W) x 3 3/4"(H) x 1 1/8"(D)

201-030 Channel 3 Signal Combiner

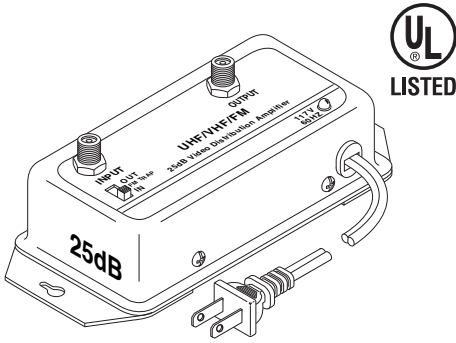
201-040 Channel 4 Signal Combiner



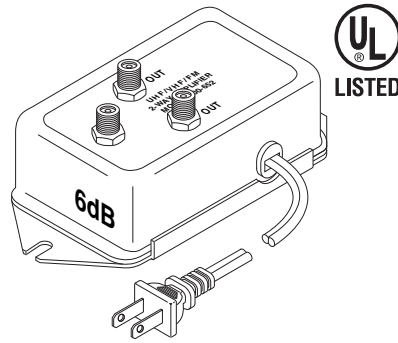
201-030 Channel-3

201-040 Channel-4

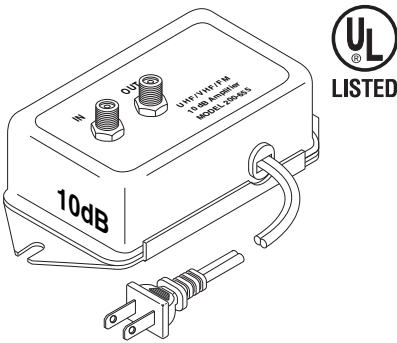
CATV Amplifiers



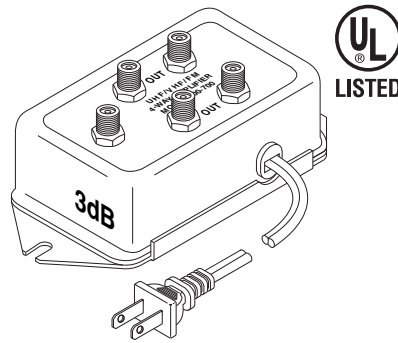
200-651 25dB



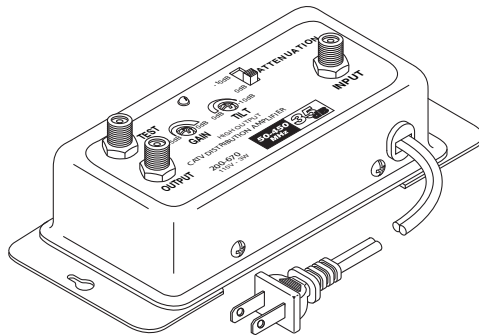
200-652 6dB



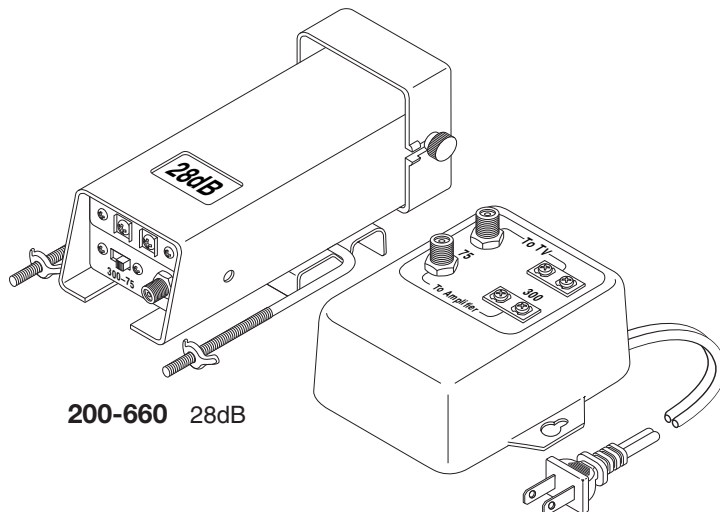
200-656 10dB



200-700 3dB



200-670 35dB



200-660 28dB

UHF/VHF/FM Broadband Amplifiers
Low-Noise – Heavy-Gauge Shielded Case
Bandwidth 54-890MHz – Impedance 75Ω
117 VAC 60Hz Power Source – UL Listed

200-651 25dB Broadband Amplifier
Switchable FM Attenuation Trap
FM Rejection-20dB at 88-108MHz
VHF Gain 25dB – UHF Gain 21dB
VHF Noise 6dB – UHF Noise 8dB
Flatness Response ±2dB
On-Off Indicator Light
6⁵/₈"(W) x 1³/₈"(H) x 3¹/₈"(D)

200-652 6dB 2-Output Broadband Amplifier
VHF Gain 6dB – UHF Gain 3dB
Flatness Response ±2dB
3¹/₂"(W) x 1¹/₂"(H) x 2¹/₄"(D)

200-656 10dB Broadband Amplifier
VHF Gain 10dB – UHF Gain 7dB
Flatness Response ±2dB
3¹/₂"(W) x 1¹/₂"(H) x 2¹/₄"(D)

200-700 3dB 4-Output Broadband Amplifier
VHF Gain 3dB – UHF Gain 0dB
Flatness Response ±2dB
3¹/₂"(W) x 1¹/₂"(H) x 2¹/₄"(D)

CATV Distribution Amplifier

200-670 35dB CATV Distribution Amplifier
Bandwidth 47-450MHz
Band Flatness ±1.5dB
Input Return Loss 14dB
Slope Control Adjustment 0-10dB
Gain Control Adjustment 0-15dB
Test Port -20dB
Shielded Metal Housing
6⁵/₈"(W) x 1³/₈"(H) x 3¹/₈"(D)

Mast-Mount Video Amplifier

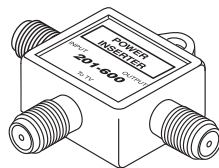
200-660 28dB Mast-Mount Signal Booster
Low-Noise – Lightning Protection
VHF Gain 28dB – UHF Gain 22dB
54-890 MHz UHF-VHF FM
117VAC 60Hz Power Supply
Input Impedance 75-300Ω
Output Impedance 75-300Ω
Booster 2"(W) x 5¹/₄"(H) x 1¹/₂"(D)
Power Supply 3"(W) x 1⁵/₈"(H) x 4"(D)



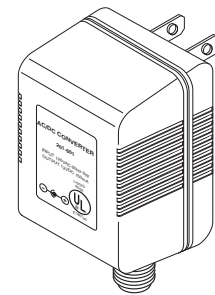
1GHz CATV Drop Amplifiers

Indoor Home-Apartment CATV Drop Amplifiers
Compensate for long cable drops or multiple TV sets
Bandwidth 5-1000MHz – Low Noise Circuitry
151 Channel Capable – Superior Gain Flatness
Return Loss 12-14dB min. – Noise 6dB Typical
Dist X-Mod -70dBmV – CTB -65dBmV
Soldered-Back Cover 130dB min. EMI-RFI Shielding
Anti-Corrosion Tin-Plated Zinc-Alloy Cast Housing
Precision Machined F-Connector Threads
Mounting Tabs with Screws – Cast-In Ground Block
Supplied with 120VAC-12VDC 150mA Transformer

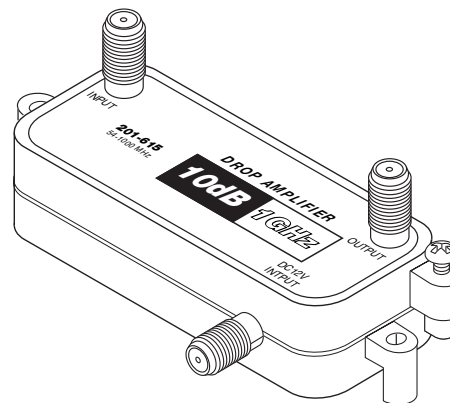
- 201-600** Power Insertion Coupler
- 201-601** F-Port Power Inserter UL Transformer
UL 6-Watt 120VAC-12VDC 150mA
- 201-615** 10dB Drop Amplifier
Max. Output +25dBmV
Includes 12VDC 150mA transformer
- 201-620** 20dB Drop Amplifier
Max. Output +30dBmV
Includes 12VDC 150mA transformer
- 201-625** 10dB Power-Insertion Drop Amplifier
Max. Output +25dBmV
Includes 12VDC 150mA transformer
Includes 201-600 power inserter
- 201-630** 20dB Power-Insertion Drop Amplifier
Max. Output +30dBmV
Includes 12VDC 150mA transformer
Includes 201-600 power inserter
- 201-635** 10dB 2-Way-Passive Drop Amplifier
5-40 MHz Passive Return Path
Forward Gain 10dB±1dB 40-1000MHz
Reverse Gain -0.6dB 5-40MHz
Max. Output +25dBmV
Includes 12VDC 150mA transformer
- 201-640** 20dB 2-Way-Passive Drop Amplifier
5-40 MHz Passive Return Path
Forward Gain 20±1dB 40-1000MHz
Reverse Gain -0.6dB 5-40MHz
Max. Output +30dBmV
Includes 12VDC 150mA transformer
- 201-645** 10dB 2-Way-Active Drop Amplifier
5-40 MHz Active Return Path
Forward-Reverse Gain 10±1dB
Max. Output +25dBmV
Includes 12VDC 150mA transformer
- 201-650** 20dB 2-Way-Active Drop Amplifier
5-40 MHz Active Return Path
Forward-Reverse Gain 10±1dB
Max. Output +30dBmV
Includes 12VDC 150mA transformer



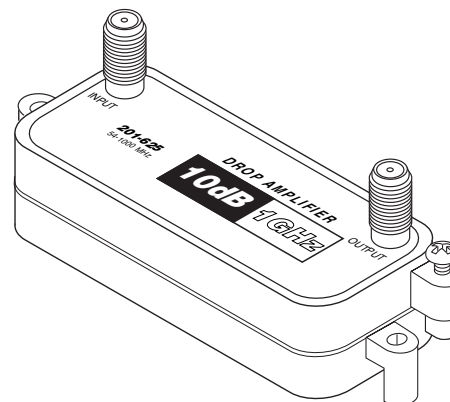
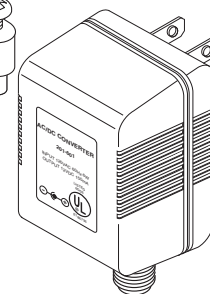
201-600



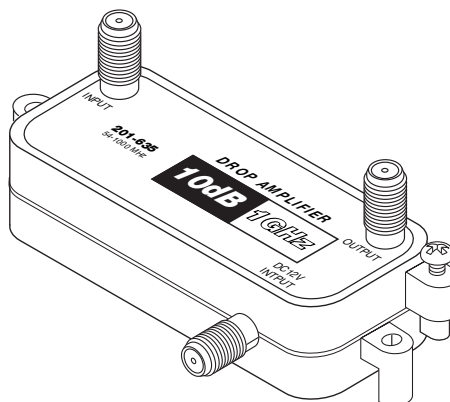
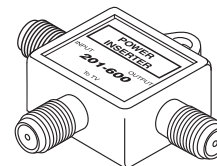
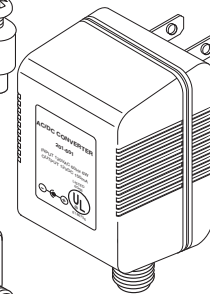
201-601



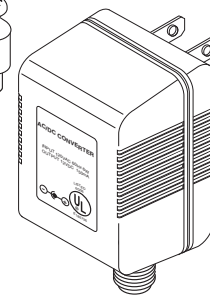
201-615 10dB
201-620 20dB



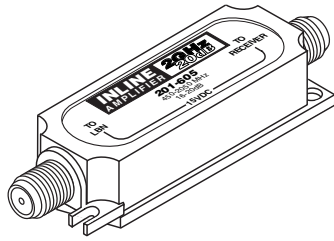
201-625 10dB
201-630 20dB



201-635 10dB 2-Way-Passive
201-640 20dB 2-Way-Passive
201-645 10dB 2-Way-Active
201-650 20dB 2-Way-Active



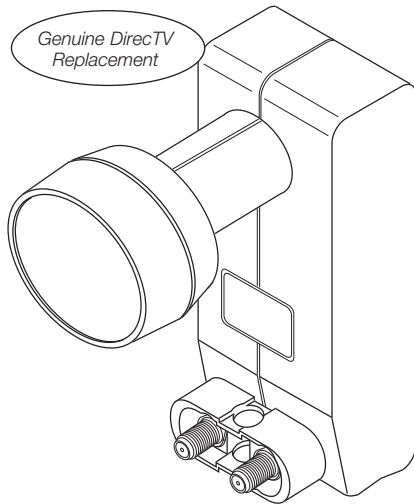
Satellite Inline Amplifiers



- 201-605** 16-20dB Sloped 950-2250MHz
- 201-608** 20dB 40-2250MHz
- 201-609** 16-20dB Sloped 40-2250MHz
- 201-610** 20dB 950-2250MHz

High-Quality Satellite IF Inline Amplifiers
Suitable for DBS or Satellite Applications
Power Requirements 12-18VDC 45mA
Impedance 75Ω – Frequency 40-2250MHz
DC Pass-Through Current 500mA max.
Output Level 105dBμV max.
Low Noise 5dB – Input Return Loss 6dB
High-Performance SMD Board Circuitry
Precision Machined F-Connector Threads
Nickel-Plated Zinc-Alloy Cast Housing

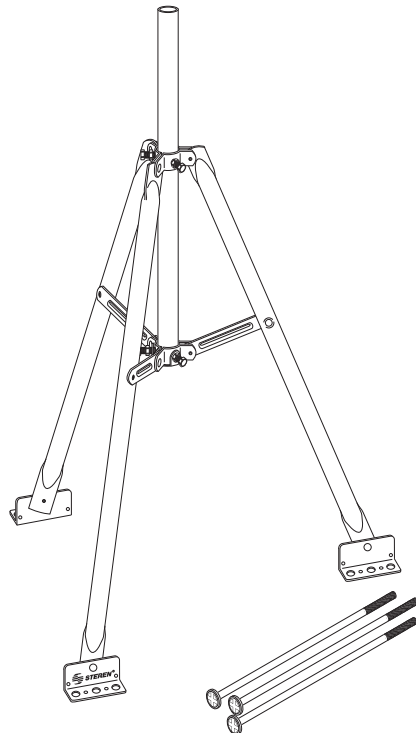
- 201-605** 16-20dB Sloped 950-2250MHz Amplifier
Sloped-Gain for Long-Cable Runs
Solder-Backed Back Cover Plate
- 201-608** 20dB 40-2250MHz Inline Amplifier
Terrestrial TV-Satellite Applications
Solder-Backed Cover Plate
- 201-609** 16-20dB Sloped 40-2250MHz Amplifier
Sloped-Gain for Long-Cable Runs
Terrestrial TV-Satellite Applications
Solder-Backed Cover Plate
- 201-610** 20dB 950-2250MHz Inline Amplifier
Solder-Backed Back Cover Plate



200-582 Dual

DSS Circular Ku-Band LNBF

200-582 DirecTV Dual-Feed DSS LNBF
Genuine DirecTV Replacement
True-Circular Polarized LNBF
High Performance and Stability
DirecTV/Dish Network 300 Compatible
Fits rectangular RCA Tube or
D-Tube arm-dishes except Sony and
Hughes plastic mounts
Excellent Noise Attenuation and
Cross Polarization
Harsh-Environment – Weatherproof
RF Input Frequency 12.2-12.7 GHz
IF Output Frequency 950-1450MHz
LO Stability 11.25GHz ±2MHz @22°C,
11.25GHz ±4MHz @-35-52°C
Converter Gain 50-62dB±0.5dB max.
Converter Noise 0.9dB typ., 1.1dB max.
Output VSWR 75Ω 2.0:1 max.
Power 10.5-14VDC RHP
Power 15.5-21VDC LHP



221-120 Satellite Antenna Tripod

Satellite Antenna Tripod

221-120 Satellite Antenna Tripod Tower Base
Swing-Up Easy Installation
Fits DirecTV/Dish Network antennas
Zinc-Plated 16-Gauge Tubular Steel
Legs O.D. 1 1/4" – Mast O.D. 1 5/8"
Black Oxide Steel Mounting Screws
0.10" Thick Yellow-Chromate and
Cold Rolled Steel Support Arms
31 1/4" (W) x 45 1/2" (H) x 25 5/8" (D)

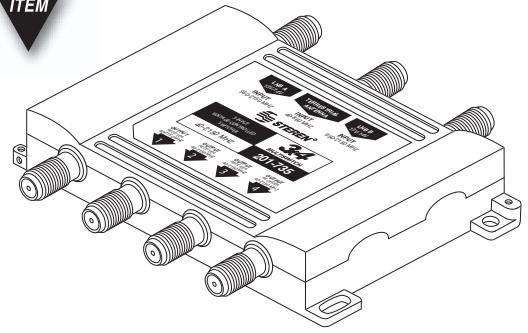
Satellite Multiswitches

Multi-Receiver Satellite Multiswitches
Designed for Residential and Commercial Applications
Multiswitch allows independent operation of multiple satellite receivers using a single dish
Combines 2 satellite LNB and 1 off-air TV antenna inputs to any satellite receiver
Routes any input to any output using 13-14V vertical or 17-18V horizontal polarities
SMD Multiple-Layered Printed Circuit Board Design
High-Performance Pin-Diode Signal Switching
Precision Machined F-Connector Threads
Impedance 75Ω – 60mA DC Current Consumption
Current Pass 500mA max.
Terrestrial Ports Frequency 5-862MHz
Satellite Port Frequency 950-2200MHz
Supplied with Protective F-Port Plastic Caps

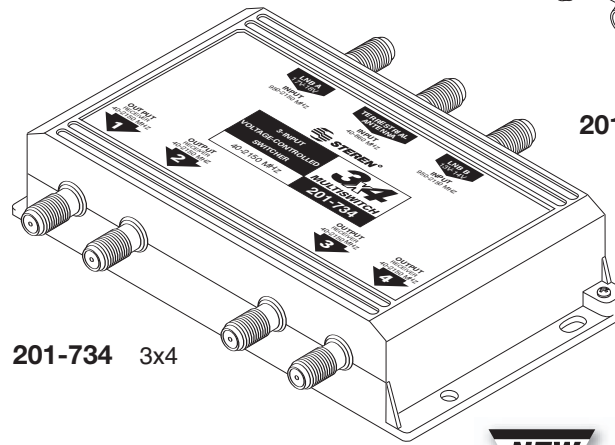
- 201-734** 3x4 Satellite Multiswitch
Isolation 14dB – Return Loss 8dB
Insertion Loss 5dB Sat, 4dB Terr
5 7/8" (W) x 3 1/8" (H) x 1 1/8" (D)
- 201-735** 3x4 Compact Satellite Mini-Multiswitch ◀ **NEW**
Isolation 20dB – Return Loss 8dB
Insertion Loss 7dB Sat, 12dB Terr
3 9/16" (W) x 7/8" (H) x 2 5/8" (D)
- 201-736** 3x4 High Performance Multiswitch ◀ **NEW**
Isolation 35dB – Return Loss 10dB
Insertion Loss: 3dB Sat, 2.1dB Terr
5 3/8" (W) x 2 1/2" (H) x 1" (D)
- 201-738** 3x8 Satellite Multiswitch
Isolation 30dB – Return Loss 8dB
Insertion Loss: 6dB Sat, 15dB Terr
Optional 18VDC 500mA Power Supply
Sold Separately (201-739)
5 3/4" (W) x 4" (H) x 1 1/8" (D)
- 201-739** 18VDC 500mA Power Supply
Powers 201-738, 202-134

DSS Tone-Controlled Switch

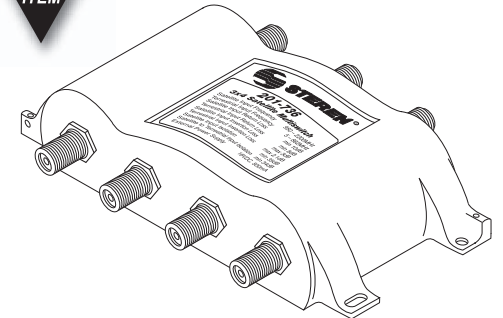
- 201-740** 22kHz Tone-Controlled Auto Switch ◀ **NEW**
DirecTV, DVB, 4DTV Compatible
Used in signal routing in DSS, Ku, C, digital and analog environments
Switches between two separate LNB feeds on the same or separate dishes
SMD Printed Circuit Board Design
High-Performance Pin-Diode Switching
Nickel-Plated Zinc-Alloy Cast Housing
Weather-Proof Sealed Construction
Precision Machined F-Connector Threads
Frequency Range 47-2250MHz
Impedance 75Ω – Insertion Loss 2dB
Switching Isolation 25dB
Input Isolation 30dB – Return Loss 8dB
DC Pass Through Current 500mA max.
DC Current Consumption 15mA
3" (W) x 3" (H) x 1 3/8" (D)



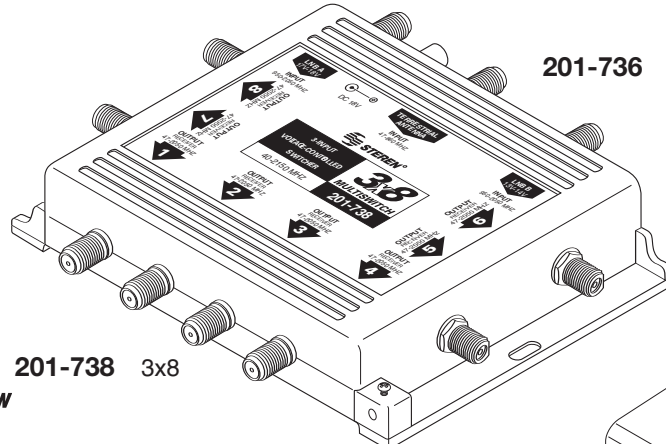
201-735 3x4 Compact



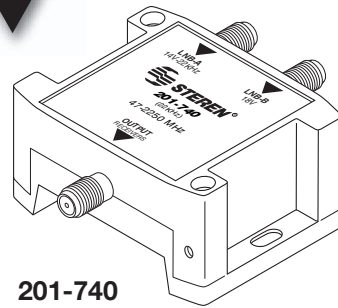
201-734 3x4



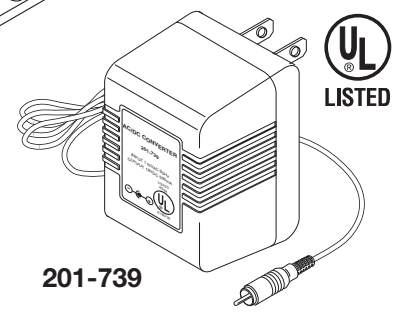
201-736 3x4 High-Performance



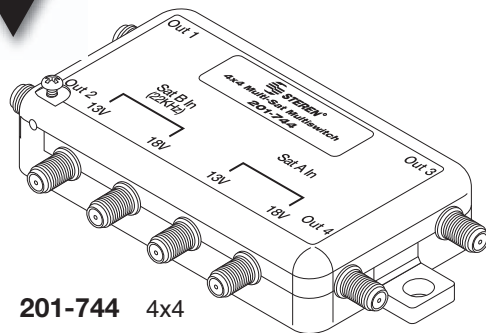
201-738 3x8



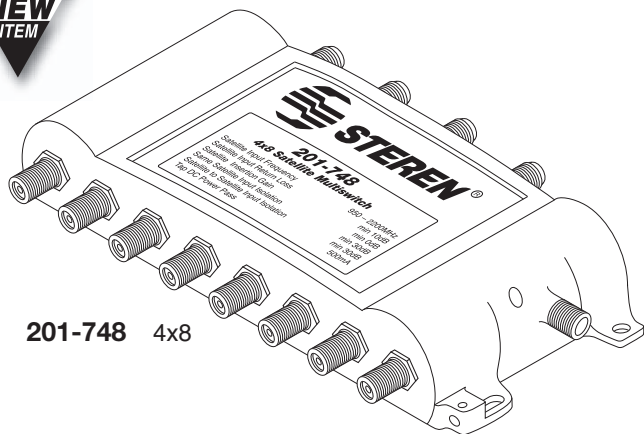
201-740



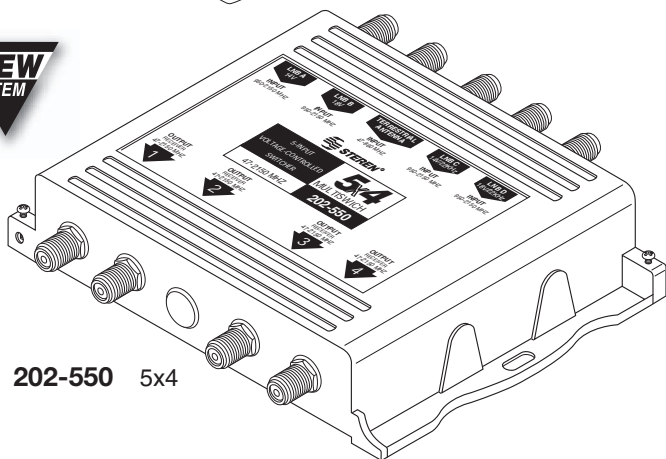
201-739



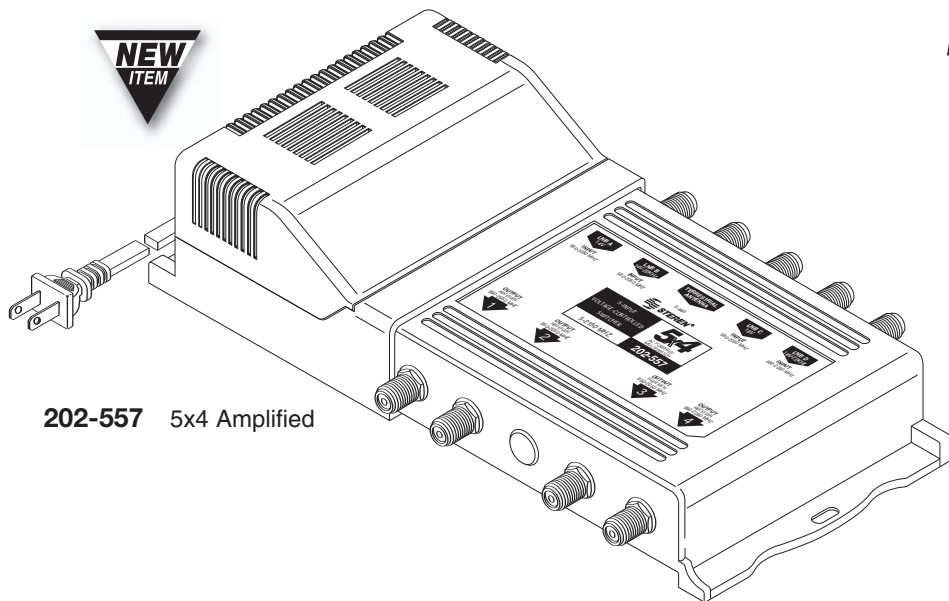
201-744 4x4



201-748 4x8



202-550 5x4



202-557 5x4 Amplified

22kHz Satellite Multiswitches

22kHz Heavy-Duty Multi-LNB Multiswitches
 Designed for Residential and Commercial Applications
 Suitable for HDTV and DirecTV-Para-Todos Feeds
 Multiswitch allows independent operation of multiple satellite receivers using a single dish
 Combines up to 4 satellite LNB inputs and 1 off-air TV antenna input to any satellite receiver
 Routes any LNB input to any output using 13-14V vertical or 17-18V horizontal polarities and 0-22kHz set at the receiver
 SMD Multiple-Layered Printed Circuit Board Design
 High-Performance Pin-Diode Signal Switching
 Heavy-Duty Cast Aluminum Housing
 Precision Machined F-Connector Threads
 Terrestrial Ports Frequency 5-862MHz
 Satellite Port Frequency 950-2200MHz – 75Ω Imped.
 Supplied with Protective F-Port Plastic Caps

NEW ▶ 201-744 4x4 Dish Mount Satellite Multiswitch
 Insertion Loss 5dB
 Isolation 30dB – Return Loss 9dB
 6”(W) x 2½”(H) x 1”(D)

NEW ▶ 201-748 4x8 Satellite Multiswitch
 22kHz Tone Output Suitable for DirecTV Phase III System
 Insertion Gain 0dB min.
 Isolation 30dB – Return Loss 10dB
 DC Current Consumption 30mA
 Current Pass 500mA max.
 7½”(W) x 3¼”(H) x 1⅜”(D)

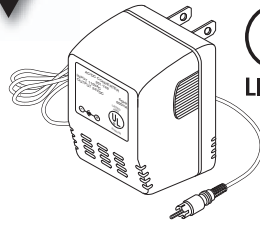
NEW ▶ 202-550 5x4 Satellite Multiswitch
 Isolation 40dB – Return Loss 10dB
 Insertion Loss: 10dB Sat, 16dB Terr
 Rejection: 20dB Sat, 30dB Terr
 DC Current Consumption 60mA
 Current Pass 500mA max.
 5⅞”(W) x 4½”(H) x 1¼”(D)

NEW ▶ 202-557 5x4 Amplified Satellite Multiswitch
 Isolation 40dB – Return Loss 10dB
 Insertion Loss 3dB max.
 Noise Figure: 8dB Sat, 6dB Terr
 Rejection: 20dB Sat, 30dB Terr
 Sat Output Level 100dBμV @35dB IMA₃
 Terr Output Level 100dBμV @60dB IMA₃
 Power Consumption 26W
 Current Pass 700mA max.
 22kHz generated internally:
 5mVpp@18VDC – 10mVpp@13VDC
 9⅝”(W) x 4½”(H) x 1¼”(D)

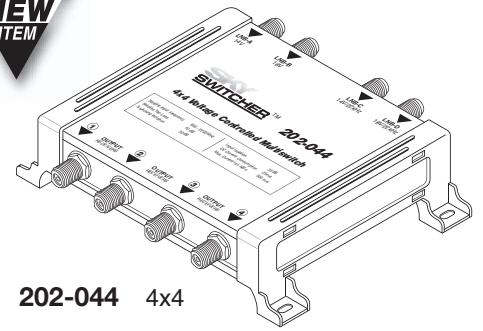
SkySwitcher™ Multiswitches

Premium Grade Multi-Receiver Multiswitches
Designed for professional commercial installations
Multiswitch allows independent operation of
multiple satellite receivers using a single dish
Combines up to 4 satellite LNB inputs and
1 off-air TV antenna input to any satellite receiver
Routes any LNB input to any output using
13-14V vertical or 17-18V horizontal
polarities and 0-22kHz set at the receiver
Suitable for HDTV and DirecTV Para-Todos Feeds
SMD Multiple-Layered Printed Circuit Board Design
High-Performance Pin-Diode Signal Switching
Tin-Plated Steel Housing – Plastic Mounting Feet
Precision Machined F-Connector Threads
Impedance 75Ω – Current Pass 500mA max.
DC Current Consumption 50-60mA
Terrestrial Ports Frequency 5-862MHz
Satellite Port Frequency 950-2200MHz
Supplied with Protective F-Port Plastic Caps

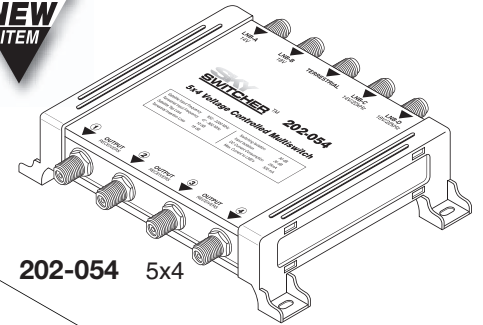
- 201-739** 18VDC 500mA Power Supply ◀ **NEW**
Powers 201-738, 202-134
- 201-749** 24VDC 600mA Power Supply ◀ **NEW**
Powers 202-058 5x8 multiswitch
- 202-044** 4x4 SkySwitcher™ Multiswitch ◀ **NEW**
Isolation 35dB – Return Loss 8dB
Insertion Loss 10 dB max.
5¾" (W) x 4" (H) x 1½" (D)
- 202-054** 5x4 SkySwitcher™ Multiswitch ◀ **NEW**
Isolation 35dB – Return Loss 8dB
Insertion Loss 10dB Sat, 20dB Terr
5¾" (W) x 4" (H) x 1½" (D)
- 202-058** 5x8 SkySwitcher™ Multiswitch ◀ **NEW**
Isolation 50dB – Return Loss 8-10dB
Insertion Loss 10dB Sat, 20dB Terr
Rejection 25-28dB – Flatness ±2dB
Noise Figure Sat 5dB Terr 6dB
Sat Output Level 85dBµV@35dB IMA₃
Terr Output Level 92dBµV@35dB IMA₃
Optional 24VDC 600mA Power Supply
Sold Separately (201-749)
10¼" (W) x 4" (H) x 1½" (D)
- 202-134** 3x4 SkySwitcher™ Multiswitch ◀ **NEW**
Isolation 25dB – Return Loss 10dB
Insertion Loss 10dB Sat, 20dB Terr
Optional 18VDC 500mA Power Supply
Sold Separately (201-739)
5¾" (W) x 4" (H) x 1½" (D)
- 202-254** 5x4 SkySwitcher™ Amplified Multiswitch ◀ **NEW**
Isolation 40dB – Insertion Loss 3dB max.
Rejection 20dB Sat, 30dB Terr
Noise Figure Sat 8dB Terr 6dB
Sat Output 100dBµV @35dB IMA₃
Terr Output 99dBµV @60dB IMA₃
Current Pass 700mA Maximum
9" (W) x 4" (H) x 2¼" (D)



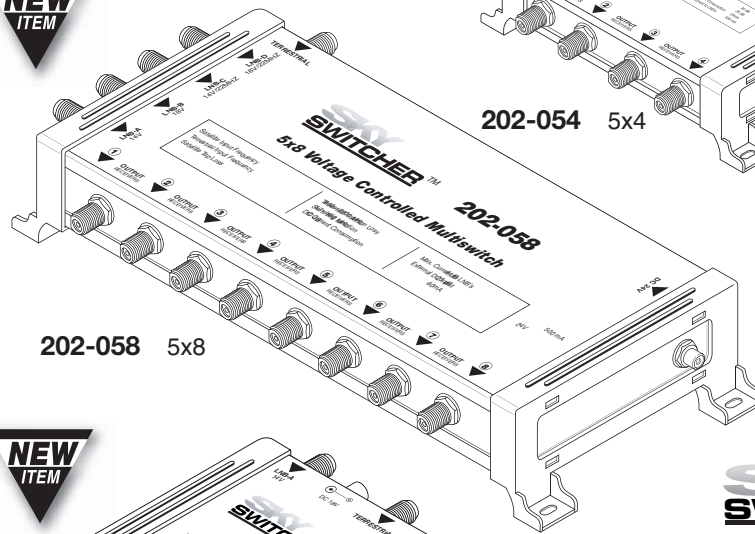
201-739 18VDC 500mA
201-749 24VDC 600mA



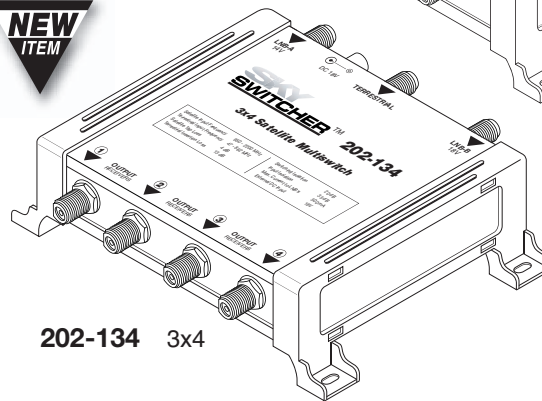
202-044 4x4



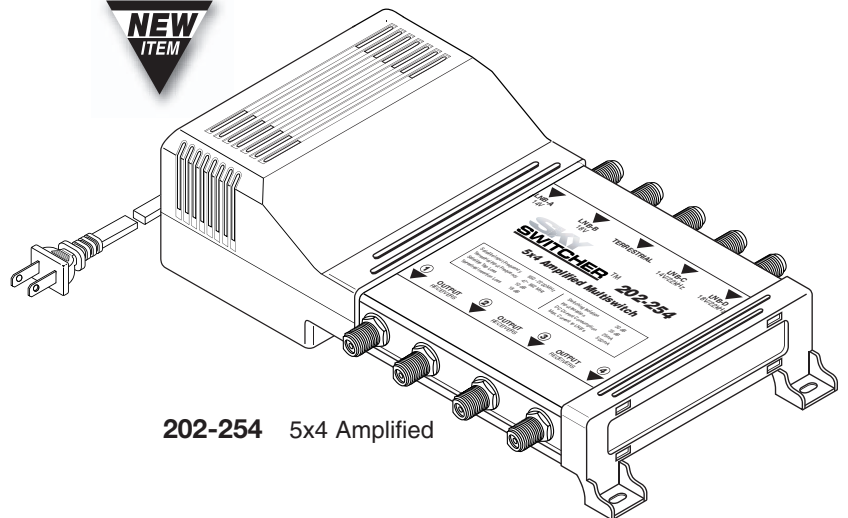
202-054 5x4



202-058 5x8



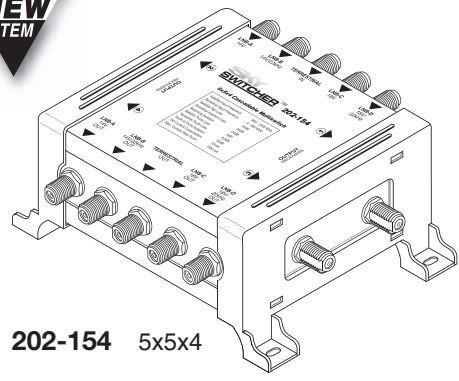
202-134 3x4



202-254 5x4 Amplified



**NEW
ITEM**



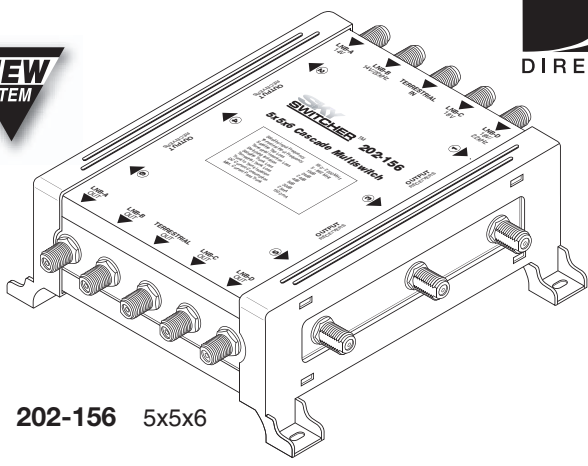
202-154 5x5x4

**SKY
SWITCHER™**



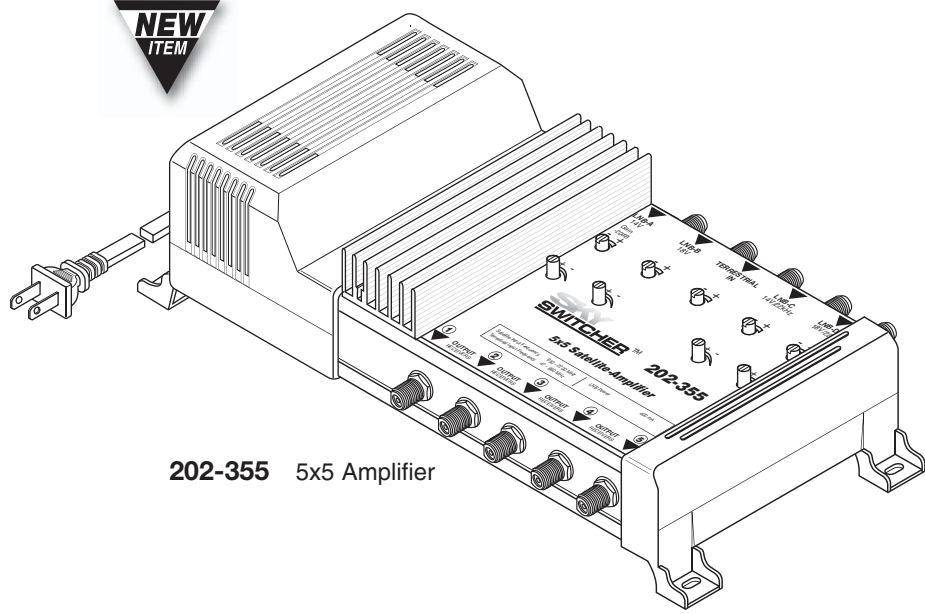
**HDTV
DIRECTV.**

**NEW
ITEM**



202-156 5x5x6

**NEW
ITEM**



202-355 5x5 Amplifier

Cascade Multiswitches

SkySwitcher™ 22kHz Cascade Multiswitches Designed for MDU networks over 20 subscribers Multiswitch allows independent operation of multiple satellite receivers using a single dish Combines 4 satellite LNB inputs and 1 off-air TV antenna input to any satellite receiver Routes any LNB input to any output using 13-14V vertical or 17-18V horizontal polarities and 0-22kHz set at the receiver Suitable for HDTV and DirecTV Para-Todos Feeds SMD Multiple-Layered Printed Circuit Board Design High Performance Pin-Diode Signal Switching Tin-Plated Steel Housing – Plastic Mounting Feet Precision Machined F-Connector Threads Impedance 75Ω – Current Pass 1500mA max. DC Current Consumption 25mA Terrestrial Ports Frequency 5-862MHz Satellite Port Frequency 950-2200MHz Isolation 30dB min. – Tap Loss 16-23dB Trunk Loss 3-5dB – Return Loss 8-13dB Supplied with Protective F-Port Plastic Caps

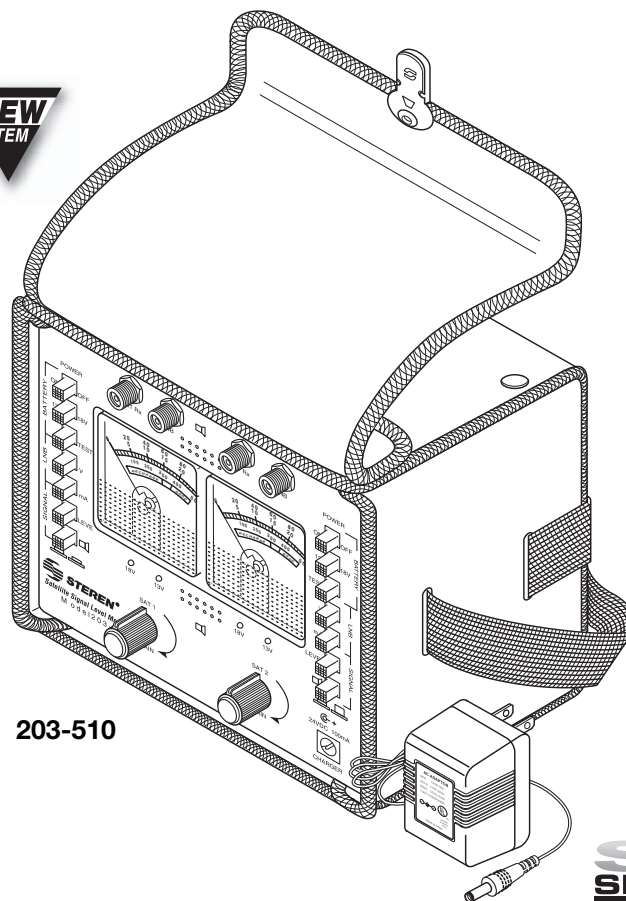
- NEW ▶ 202-154** 5x5x4 Cascade Multiswitch
5 1/2" (W) x 4" (H) x 1 7/8" (D)
- NEW ▶ 202-156** 5x5x6 Cascade Multiswitch
5 1/2" (W) x 5 5/8" (H) x 1 7/8" (D)

SkySwitcher™ Cascade Amp

- NEW ▶ 202-355** 5x5 SkySwitcher™ Cascade Amplifier Supports Cascade Multiswitch Networks Amplifies 4 Satellite LNB Inputs and 1 Off-Air TV Antenna Input Independent Gain-Tilt Controls Tin-Plated Steel Housing Plastic Mounting Feet Machined F-Connector Threads Impedance 75Ω Terrestrial Ports Frequency 5-862MHz Satellite Port Frequency 5-2200MHz Gain 12-18dB Sat, 20dB Terr Flatness ±2dB – Rejection 40dB Noise Figure 7-15dB Sat, 7dB Terr Sync Level Adjust 0-10dB Sat Output 115dBμV @35dB IMA₃ Terr Output 111dBμV @60dB IMA₃ Current Pass 1500mA max. Power Consumption 13W Supplied with Protective F-Port Caps 7 1/2" (W) x 3 3/4" (H) x 2 1/2" (D)

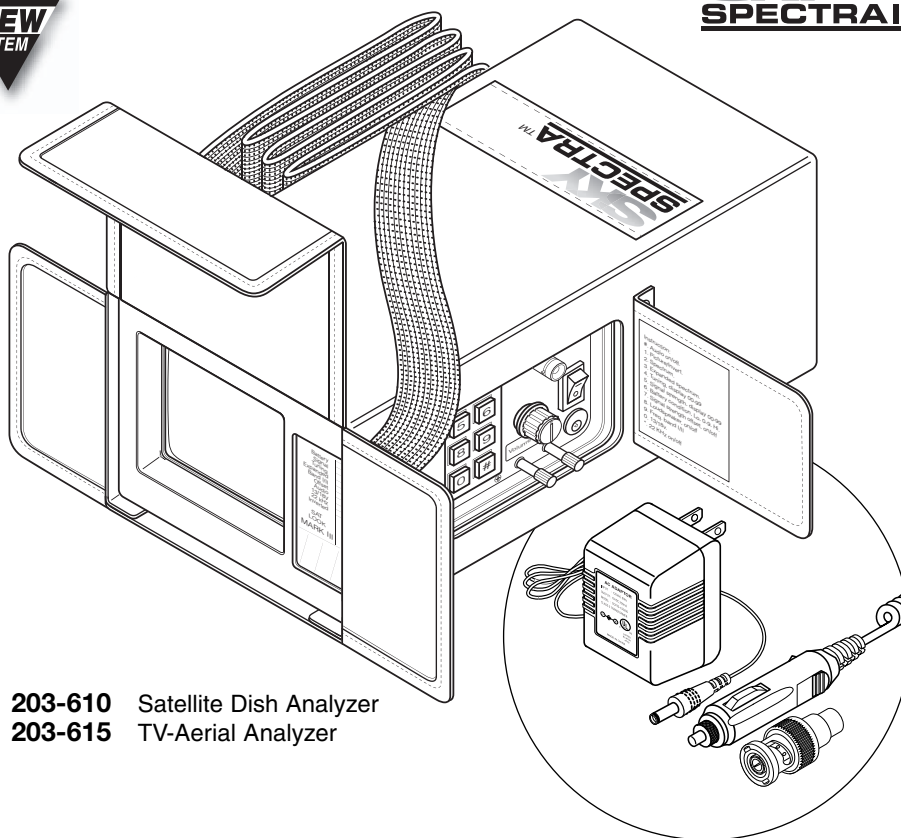
Dual Satellite Signal Level Meter

- 203-510** Dual Satellite Signal Level Meter ◀ **NEW**
 Simultaneously measures and monitors two satellite LNBS
 Provides accurate alignment of altitude, elevation and tilt-skew
 Amplified broadband detector and variable gain controls allow detection of wide range of input levels
 Audio tones enable rough signal detection
 Meter deflection for precise signal acquisition
 Meters can be independently switched between level, current, voltage and 22kHz tone measurement
 Frequency Range 950-2150MHz
 Impedance 75Ω – Insertion Loss 4.5dB
 Internal Rechargeable Battery 100mA 11hrs
 Battery Life 500 Charge/Discharge Cycles
 Includes 24VDC 100mA transformer
 Includes custom carrying case
 7 1/2"(W) x 5 7/8"(H) x 5 1/4"(D)
 Weight: 3.0-lbs

**NEW
ITEM****203-510****SkySpectra™ Analyzers**

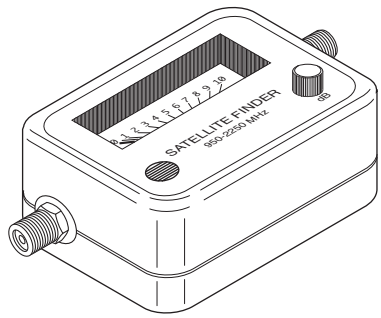
Professional Digital Spectrum Analyzers
 Precisely aligns and tunes satellite and TV antennas
 Lightweight – 4 1/2" Black and White Monitor
 64x128 LCD Screen for Menus/Help Functions
 Multi-TV/Audio Compatible NTSC, PAL, SECAM
 Microprocessor-Controlled Operation
 100 Spectrum Signature Memory Storage
 RS232 PC Connection – Windows 95/98
 Impedance 75Ω – BNC Connectors
 12VDC Internal Rechargeable Battery
 Custom Nylon Carrying Case
 Includes 120VAC 13.5VDC 3.2A transformer,
 car charger, PC software and cable, BNC-plug to
 IEC PAL jack adapter and owners manual

- 203-610** SkySpectra™ Satellite Dish Analyzer ◀ **NEW**
 Full Spectrum 920-2150MHz
 Input Level 35dBμV min, 90dBμV max
 Spectrum Zoom to 250MHz
 Digital BER, QPSK, S/N ratio
 LNB 13-18V – 22kHz Tone Switch
 DiSEqC 1.0, 1.1, 1.2, Toneburst On/Off
 Ku/C-band Normal/Inverted Video
 Audio Bandwidth 5.5-8.5 MHz
 High Resolution ± 2 dB at 20°C
 12VDC 3.5Ah 1-Hour Battery
 8"(W) x 4 1/2"(H) x 12 1/4"(D)
 Weight: 11.1-lbs

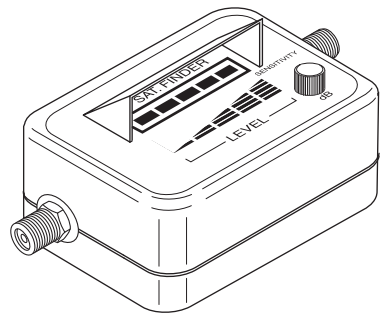
**NEW
ITEM**

203-610 Satellite Dish Analyzer
203-615 TV-Aerial Analyzer

**SKY
SPECTRA™****SKY
SPECTRA II™**



200-992

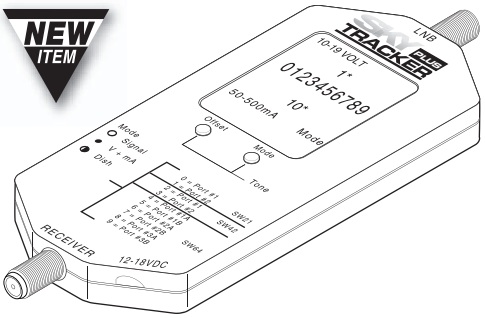


200-993

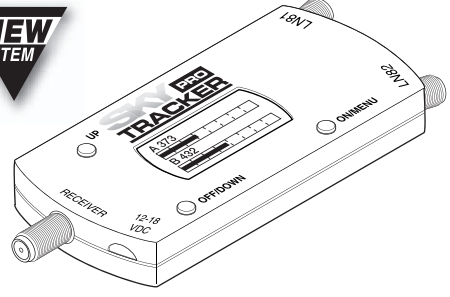
Satellite Finder Meters

Highly Sensitive Meters with Built-In Buzzer
Durable ABS Plastic Housing
Built-in Buzzer with Pitched Tone for Alignment Reference
Front Panel Sensitivity Control
RF and DC Pass-Through – 75Ω 950-2050MHz Input
Sensitivity 7mV@55dB – LNB Gain 3-Carrier C/N 15dB
Input Level -25 to -75dBm – LNB Gain 52-60dB
Power Requirements 13-18VDC
Requires 6dB attenuator for 60-65dB LNB gain

- 200-992 Analog Pocket Satellite Finder
- 200-993 LED Bar-Graph Pocket Satellite Finder



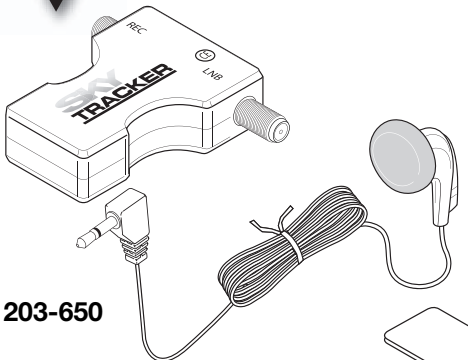
203-620



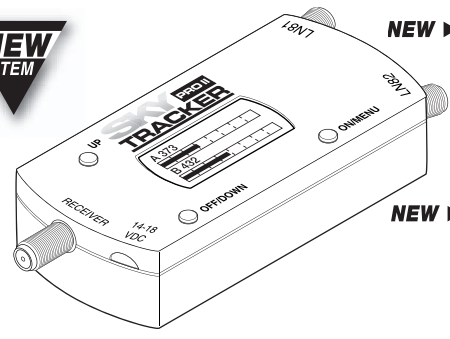
203-630

SkyTracker™ Signal Meters

Hand-Held SkyTracker™ Signal Meters
For Precise Satellite Position Location
Dish Network® and DirecTV® Compatible
Compact Design – Microprocessor Controlled
High Sensitivity for Receiving Weak Signals
Attenuation Adjustment for Strong Signals
Visual/Audio Readout for Hands-Free Operation
Precision Machined F-Connector Ports
Built-in Beeper, Volt/mA Meter
Short Circuit Protection with Fuse
75Ω Impedance – Input Frequency 950-2150MHz
Optional Accessories Kit – CE Approved



203-650



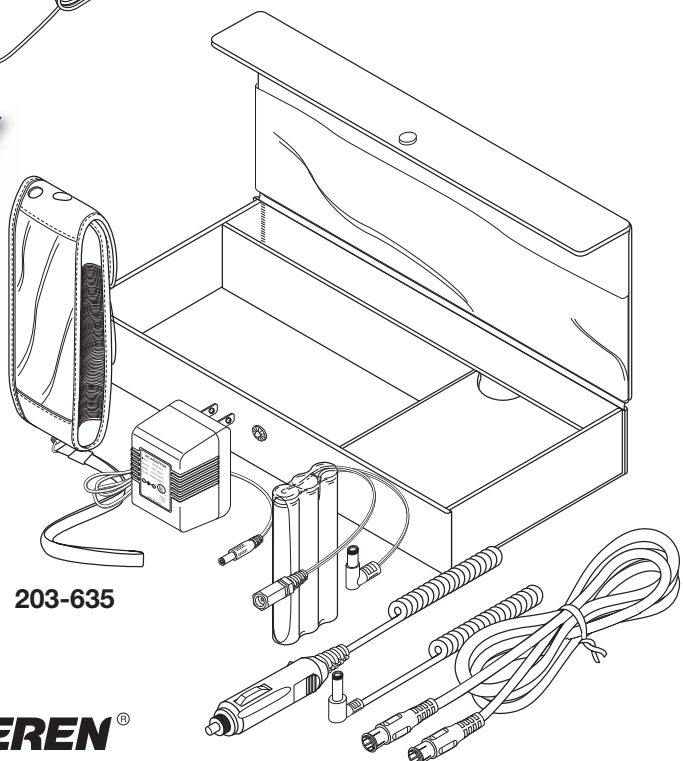
203-640 Powered

NEW ▶ 203-620 SkyTracker™ Plus Single-LNB Meter
LED and Audio Indicators
Identifies DiSEqC and 22kHz
Powered by Receiver or DC Supply
Meter Ranges 10-20V, 0-500mA
Input level 20-100 dBμV
5 3/4" (W) x 2 1/4" (H) x 3/4" (D)

NEW ▶ 203-630 SkyTracker™ Pro Dual-LNB Meter
Measures 2 LNBs simultaneously
LCDs and Selectable On/Off Tone
Identifies DiSEqC, 22kHz, 13/18V, mA
Can be set up as a two-way switch
Runs DiSEqC 1.2/SatScan actuator
Transmits 22 kHz, DiSEqC to LNB
Powered by Receiver or DC Supply
Meter Ranges 0-30V, 0-900mA
Input level 20-100 dBμV
Optional Carrying Case and Battery
5 3/4" (W) x 2 1/4" (H) x 3/4" (D)

NEW ▶ 203-640 SkyTracker™ Pro-II Dual-LNB Meter
Same as 203-630 with Internal Battery
Includes AC, cigarette lighter adapter
Includes leather case and strap
Input level 40-100 dBμV
5 3/4" (W) x 2 1/4" (H) x 1 1/2" (D)

NEW ▶ 203-635 SkyTracker™ Accessories Kit
Rechargeable External Battery Pack
AC and Car Cigarette Lighter Adapter
6' RG6 Quick Connect Patch Cable
Leather Carrying Case and Strap
Compartment for 203-620 or 203-630
9 1/2" (W) x 4 3/8" (H) x 1 7/8" (D)



203-635

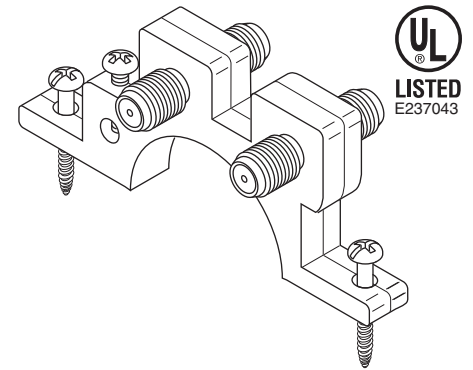
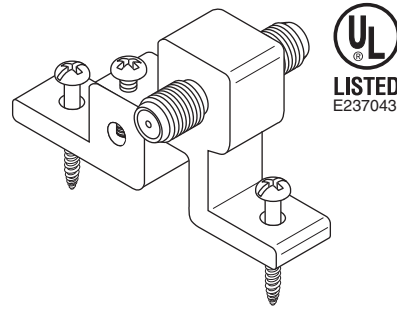
SkyTracker™ Satellite Finder

NEW ▶ 203-650 SkyTracker™ Beeper Satellite Finder
Suitable for RV with Satellite Dish
Automatic Attenuation Adjustment
Pitch Tone Indicator – Includes earbud

F Ground Blocks

Used in CATV or satellite subscriber grounding
Weather-Resistant Zinc-Alloy Cast Housing
Cast-In F-Connector Ports – Anticorrosion Overcoat
3/16" grounding holes accept AWG8 wire
Includes mounting screws – UL Listed

- 200-271** 900MHz Single F Ground Block
1 Ground Screw – Yellow-Chromate
- 200-272** 900MHz Dual F Ground Block
1 Ground Screw – Yellow-Chromate
- 200-273** 900MHz Dual F Ground Block
2 Ground Screws – Yellow-Chromate
- 200-274** 1GHz Single F Ground Block
1 Ground Screw – Yellow-Chromate
- 200-275** 1GHz Dual F Ground Block
1 Ground Screw – Yellow-Chromate
- 200-278** 2.5GHz Single F Ground Block
2 Ground Screws – Nickel Plated
- 200-279** 2.5GHz Dual F Ground Block
2 Ground Screws – Nickel Plated



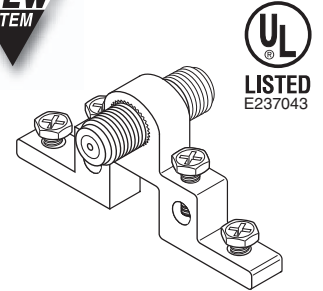
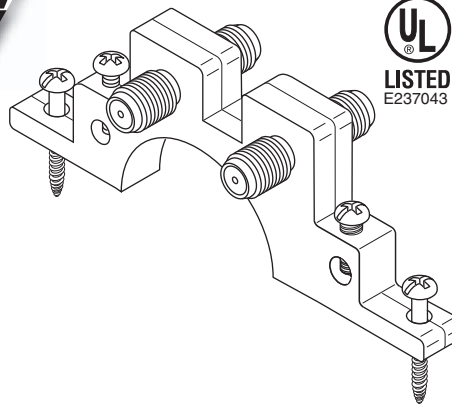
- 200-271** 900MHz Economy 1-Ground
200-274 1GHz 1-Ground

- 200-272** 900MHz Economy 1-Ground
200-275 1GHz 1-Ground

Premium F Ground Blocks

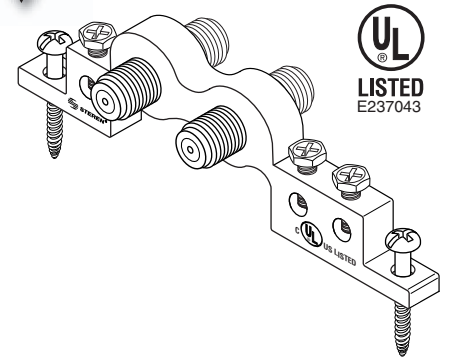
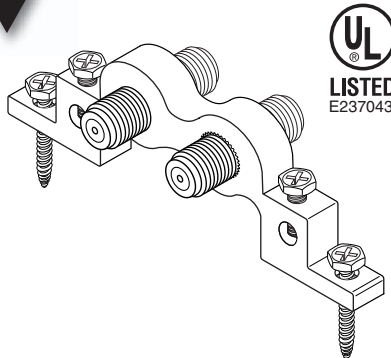
High-Performance F Grounding Blocks
Used in CATV or satellite subscriber grounding
Designed for high-frequency broadband network and
distribution system applications to 3GHz
Weather-Resistant Zinc-Alloy Cast Housing
Blue-Zinc Anticorrosion-Plated Housing
Precision Machined CDA360 Brass F Port Inserts
Thick-Nickel Anticorrosion-Plated F Ports
Flat-ended small-aperture F-ports meet
SCTE IPS-SP-407 standard for improved
contact and high return loss
360° Round Seizing Center Contact for
High Spring-Tension for Repeat Insertions
High 8-Ampere DC Continuous Current Capacity
Insertion Loss 0.025dB typical
3/16" grounding holes accept AWG8 wire
Includes mounting screws – UL Listed

- 200-270** 3GHz Dual F Ground Block
3-Ground Screws – Blue-Zinc Plated
- 200-276** 3GHz Single F Ground Block
1 Ground Screw – Blue-Zinc Plated
- 200-277** 3GHz Dual F Ground Block
2 Ground Screws – Blue-Zinc Plated



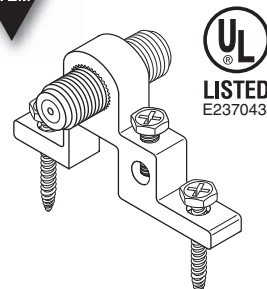
- 200-273** 900MHz Economy 2-Ground

- 200-278** 2.5 GHz 2-Ground



- 200-277** 3GHz 2-Ground
200-279 2.5GHz 2-Ground

- 200-270** 3GHz 3-Ground



- 200-276** 3 GHz 1-Ground

Ground Straps

Solid Copper or Galvanized Steel Ground Straps Provide low resistance ground connection for grounding CATV, satellite or telephone drops Adjustable Easy-Install for Permanent Connection to Water Pipes or Service Masts to AWG10-14 Ground Wire – Weather Resistant G90 galvanized steel meets salt test ASTM-B117

- 200-280** 8" Galvanized Ground Strap Suitable for 1/2"-2" Diameter Pipe
- 200-283** 10" Galvanized Ground Strap Suitable for 1/2"-2 1/2" Diameter Pipe
- 200-286** 8" Copper Ground Strap Suitable for 1/2"-2" Diameter Pipe
- 200-288** 10" Copper Ground Strap Suitable for 1/2"-2 1/2" Diameter Pipe

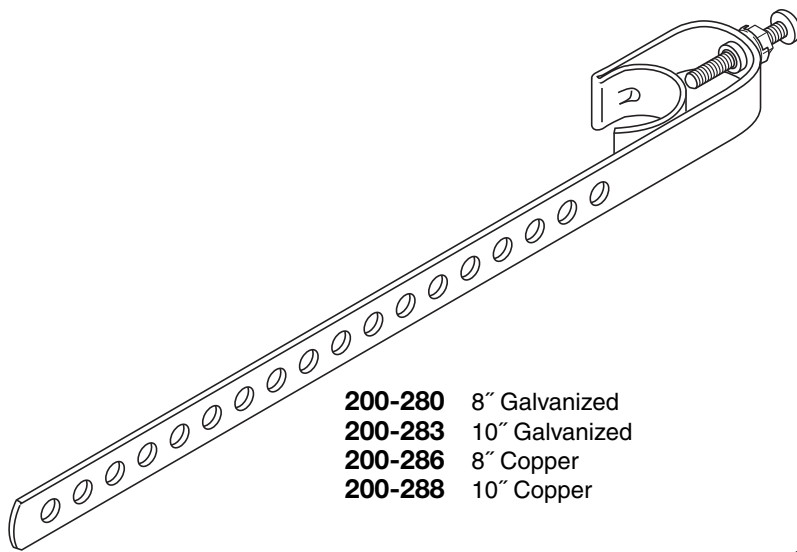
Grounding Rods

Copper-Bonded Steel Grounding Rods 3/8" or 5/8" High-Strength Carbon-Steel Cold-Drawn for Increased Strength Conical tapered point eases soil penetration

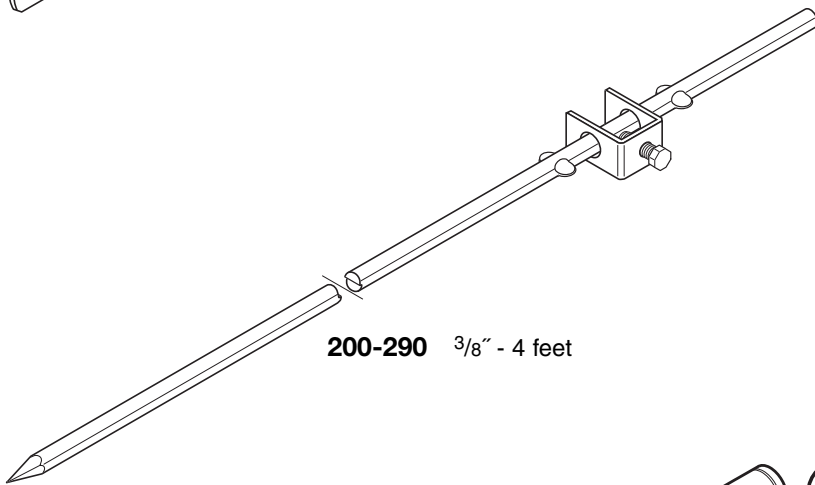
- 200-290** 4' Universal 3/8" Grounding Rod Includes Hex-Bolt Ground Clamp
- NEW ▶ 200-291** 8' Universal 5/8" Grounding Rod UL Listed – Grounding and Bonding

Silicone Compounds

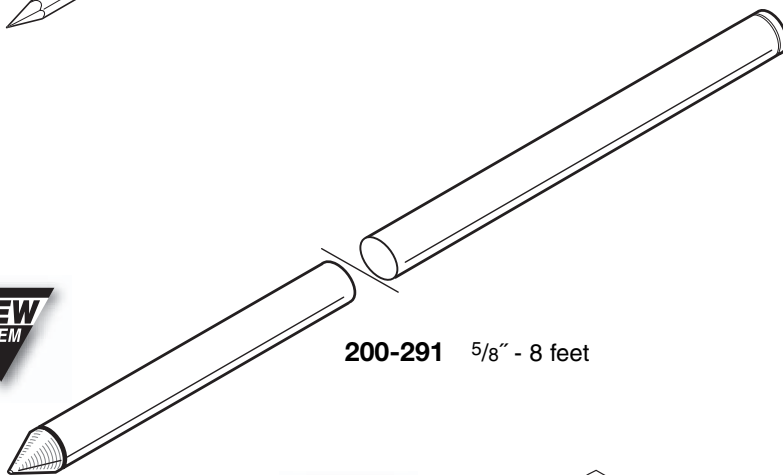
- 200-995** 1oz. Clear Silicone RTV Compound Cures to a tough resilient rubber texture Seals and insulates to prevent water penetration and galvanic corrosion
- NEW ▶ 200-996** 3oz. Clear Silicone RTV Compound Cures to a tough resilient rubber texture Seals and insulates to prevent water intrusion and corrosion
- 200-998** 5.3oz. Silicone Grease Compound Non-Curing All-Purpose Water Repellent Seals cable-connector junctions to prevent water intrusion and corrosion



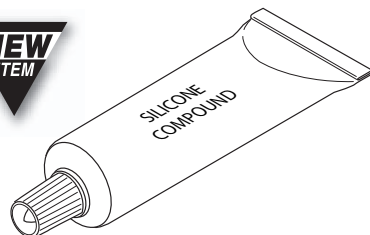
- 200-280** 8" Galvanized
- 200-283** 10" Galvanized
- 200-286** 8" Copper
- 200-288** 10" Copper



200-290 3/8" - 4 feet



200-291 5/8" - 8 feet



- 200-995** 1oz. Silicone Adhesive RTV
- 200-996** 3oz. Silicone Adhesive RTV
- 200-998** 5.3oz. Silicone Grease

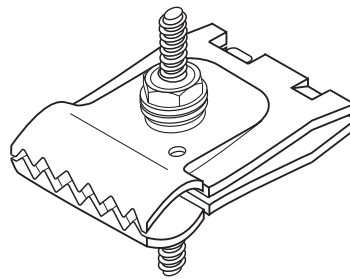


Grounding Hardware

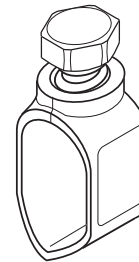
High-Strength Bonding Ground Clamps
Corrosion-Resistant Cast Zinc or Copper Alloy
Zinc-Plated Steel Screws

- 200-230** AWG10 I-Beam Ground-Clamp Bonds Copper Wire to Steel Structure
- 200-292** 3/8" Acorn-type Ground-Rod Clamp
- 200-294** 5/8" Acorn-type Ground-Rod Clamp
- 200-295** Cast-Pipe Bronze Ground-Clamp Bonds Bare Copper Wire to Galvanized or Copper Water Pipe Use with 1/2"-1 3/8" Diameter Pipe
- 200-296** Cast-Pipe Steel Ground-Clamp Bonds Bare Copper Wire to Galvanized or Copper Water Pipe Use with 1/2"-1 3/8" Diameter Pipe
- 200-297** Ground Lug
- 200-298** Meter-Pan Flat Bonding Connector
- 200-299** Meter-Pan Bonding Connector Used in bonding meter-pan metal Frame to AWG10-14 Ground Wire Galvanized Steel Construction Stainless Steel Green Ground Screw

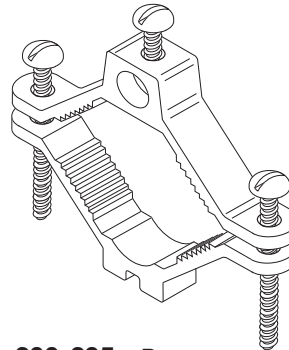
◀ NEW
◀ NEW



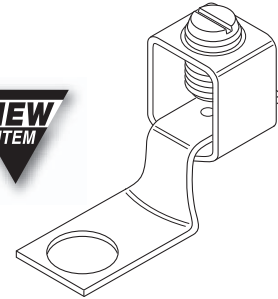
200-230



200-292 3/8"
200-294 5/8"



200-295 Bronze
200-296 Steel



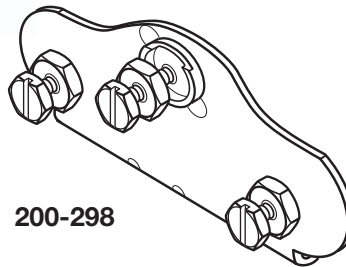
200-297



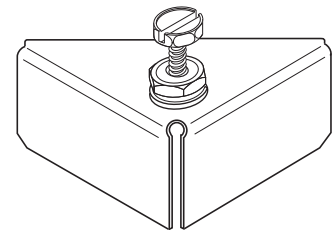
Split-Bolt Ground Connectors

High-Clamping Force Split-Bolt Connectors Suitable for Copper or Copperweld Connections Constructed of High-Strength Corrosion-Resistant Copper-Bronze Alloy

- 200-244** No. 4 Split-Bolt Connector 8-4 Solid Equal Main and Tap
- 200-246** No. 6 Split-Bolt Connector 10-6 Solid Equal Main and Tap
- 200-248** No. 8 Split-Bolt Connector 16-8 Solid Equal Main and Tap



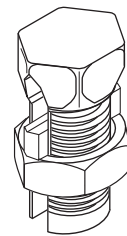
200-298



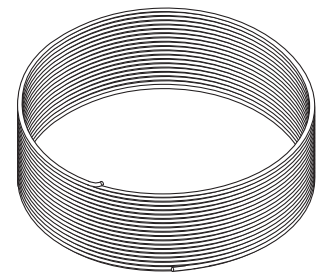
200-299

Aluminum Grounding Wire

- 200-902** 25' AWG8 Aluminum Grounding Wire Suitable Conducting Material for Communications System Grounding



200-244 No. 4
200-246 No. 6
200-248 No. 8



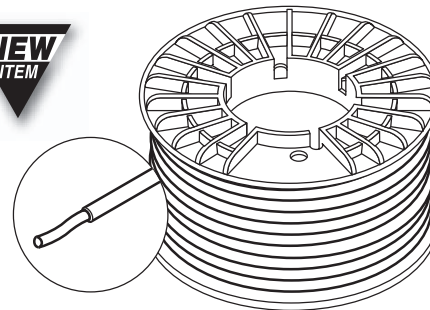
200-902 25' AWG8 Aluminum

Copper Grounding Wire

Copper Wire for All Grounding Applications
Conductor Uncoated Per ASTM B3
Gasoline, Oil, Heat, Moisture Resistant
4 Mil Thick (nom.) Clear Outer Jacket
0.5mm Thick (nom.) PVC Insulation
Meets or exceeds all applicable ASTM specs
Meets or exceeds NEC grounding requirements
600 VAC-UL Listed

- 230-010GR** 500' AWG10 Solid Copper Wire Green Jacket- 2 Spools/Case
- 230-012BK** 500' AWG12 Solid Copper Wire Black Jacket - 4 Spools/Case

◀ NEW
◀ NEW

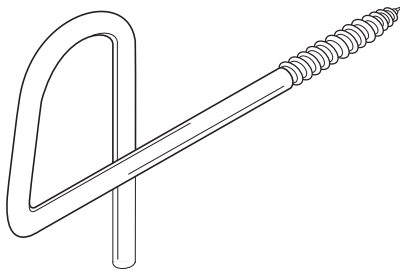


230-010GR 500' AWG10 Copper Green
230-012BK 500' AWG12 Copper Black

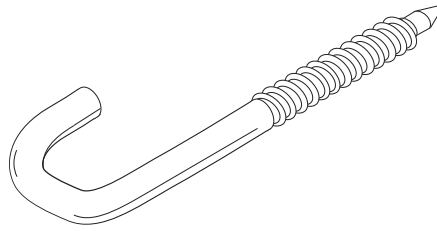


LISTED
E195812

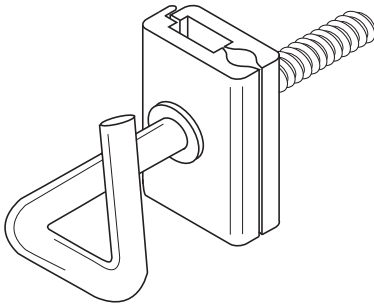
Galvanized Poleline Hardware



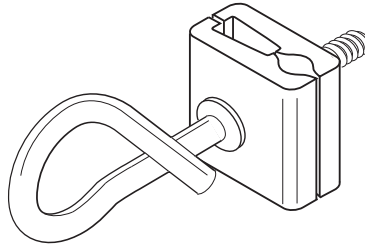
200-232



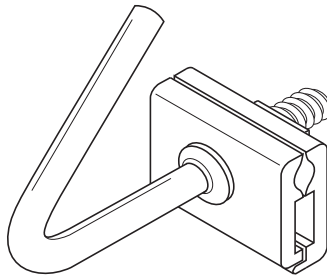
200-234



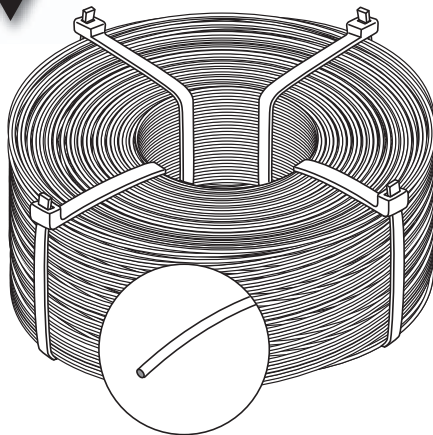
200-236



200-238



200-240



- 230-030 #302 - 0.038" ϕ 1600'
- 230-035 #302 - 0.045" ϕ 1200'
- 230-040 #430 - 0.045" ϕ 1200'
- 230-045 #316 - 0.045" ϕ 1200'

High-Quality Drop Line Hardware Suitable for
Telephony, CATV, Wireless Cable Applications
High-Strength Cast Aluminum Jaw Clamps
Corrosion-Resistant Galvanized Steel Bolts

- 200-232** P House Hook
Secures CATV drop line to subscriber's house or building
Threaded Shank Suitable for Installation in Wood or Masonry
- 200-234** J Drive Hook
Supports drop-wire clamp to pole in the absence of house hooks
Threaded Shank Suitable for Installation in Wood or Masonry
- 200-236** O-Span Clamp
Provides drop-wire take-offs from strand and relieves drop-wire tension
Used with 1/4" to 3/8" messenger strands
- 200-238** Q-Span Clamp
Provides drop-wire take-offs from strand and relieves drop-wire tension
Used with 1/4" to 3/8" messenger strands
- 200-240** C-Span Clamp
Provides drop-wire take-offs from strand and relieves drop-wire tension
Holds cable away from obstacles
Used with 1/4" to 3/8" messenger strands

Stainless Steel Lashing Wire

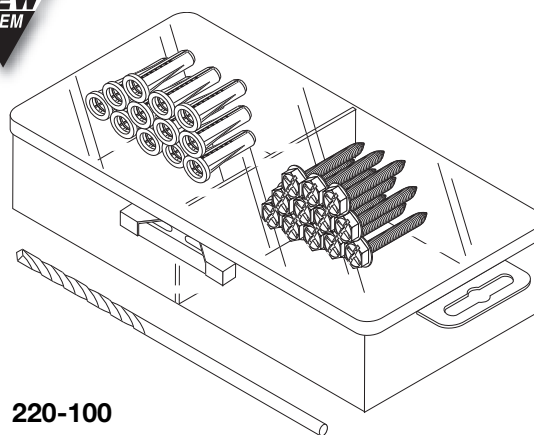
Finest Quality Annealed Stainless Steel Lashing Wire
Used to Support Overhead Telecom Cables
Corrosion and Oxidation Resistant
Kink-Free – Consistent Tension
Meets AT&T AT-7153 Standard Wax Coated
Conforms to ASTM A580 and A555 standards
Straight Hub Package for Use with Class-C and Class-D Commercial Lashers
Coil Dimensions 5 1/2-6 1/2" O.D. – 1 5/8-1 7/8" I.D.
Packaged 4 Plastic-Tie Wraps – 6 Coils per Box

- NEW ▶ 230-030** 1600' 302-Grade 0.038" Diameter Nickel-Alloy Stainless Steel Wire
Non-Magnetic Austenitic Non-Harding
Elongation 40% min. – Avg. Break 115-lbs
Tensile Strength 95-125kpsi
Net Weight 6.3-lbs.
- NEW ▶ 230-035** 1200' 302-Grade 0.045" Diameter Nickel-Alloy Stainless Steel Wire
Non-Magnetic Austenitic Non-Harding
Elongation 40% min. – Avg. Break 165-lbs
Tensile Strength 95-125kpsi
Net Weight 6.4-lbs.
- NEW ▶ 230-040** 1200' 430-Grade 0.045" Diameter Chromium-Alloy Stainless Steel Wire
Magnetic Thermally Non-Harding
Elongation 15% min. – Avg. Break 125-lbs
Tensile Strength 75-95kpsi
Net Weight 6.6-lbs.
- NEW ▶ 230-045** 1200' 316-Grade 0.045" Diameter Nickel-Molybdenum-Alloy Stainless Steel
Non-Magnetic Austenitic Non-Harding
Elongation 40% min. – Avg. Break 145-lbs
Tensile Strength 95-120kpsi
Net Weight 6.6-lbs.



Anchor Kit

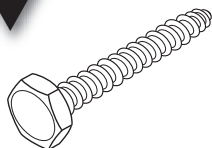
- 220-100** Anchor Kit with Anchors, Screws, Bit ◀ **NEW**
Clear Plastic Container with Clasp Closure
Cut-out Handle for Pegboard Hanging
100 pcs. 8-10 x 1" Mounting Anchors
100 pcs. #8 Steel Mounting Screws
1 pc. 1/4" Masonry Drill Bit
6⁵/₁₆" (W) x 3³/₈" (H) x 1¹/₂"(D)



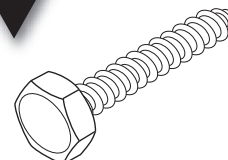
220-100

Hex Head Mounting Screws

- 220-110** 1/4" x 1 1/2" Hex Head Lag Screw ◀ **NEW**
220-115 1/4" x 2" Hex Head Lag Screw ◀ **NEW**
220-120 1/4" x 2 1/2" Hex Head Lag Screw ◀ **NEW**
220-125 1/4" x 3" Hex Head Lag Screw ◀ **NEW**
220-210 5/16" x 1 1/2" Hex Head Lag Screw ◀ **NEW**
220-215 5/16" x 2" Hex Head Lag Screw ◀ **NEW**
220-220 5/16" x 2 1/2" Hex Head Lag Screw ◀ **NEW**
220-225 5/16" x 3" Hex Head Lag Screw ◀ **NEW**
220-322 1" x 1 1/2" Hex Head Sheet Metal Screw ◀ **NEW**
220-425 1/4" - 20 3" Phillips Panhead Screw ◀ **NEW**



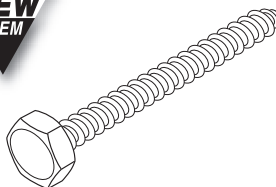
220-110 1/4" x 1 1/2"
220-115 1/4" x 2"
220-120 1/4" x 2 1/2"
220-125 1/4" x 3"



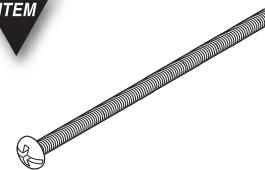
220-210 5/16" x 1 1/2"
220-215 5/16" x 2"
220-220 5/16" x 2 1/2"
220-225 5/16" x 3"

Mounting Anchors

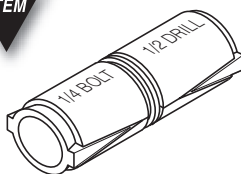
- 220-500** Lead Double Expansion Anchor 1/4" ◀ **NEW**
Use 1/2" Drill Bit
220-510 Plastic Mounting Anchor 10-12 x 1" ◀ **NEW**
Use 1/4" Drill Bit
220-515 Plastic Mounting Anchor 6-8 x 1" ◀ **NEW**
Use 3/16" Drill Bit
220-520 Plastic Mounting Anchor 1/4" x 2 1/2" ◀ **NEW**
Use 5/16" Drill Bit
220-525 Plastic Mounting Anchor 1/4" x 3" ◀ **NEW**
Use 5/16" Drill Bit



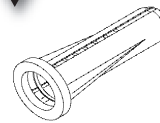
220-322 1" x 1 1/2"



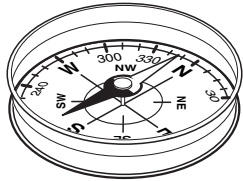
220-425 1/4"-20 3"



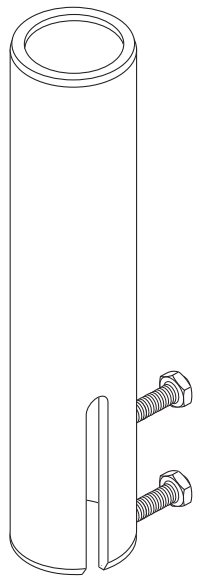
220-500 1/4"



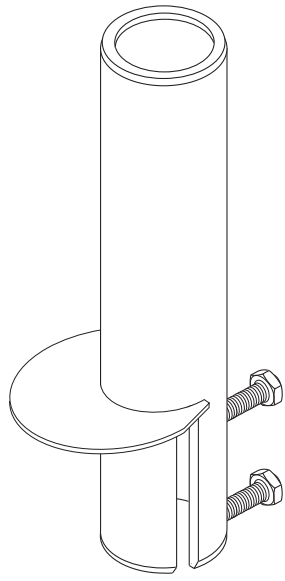
220-515 6-8 x 1"
220-520 1/4" x 2 1/2"
220-525 1/4" x 3"
220-510 10-12 x 1"



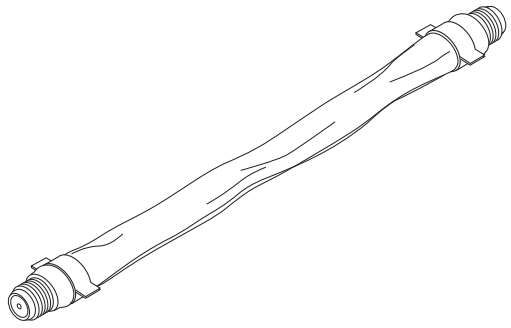
200-990 35mm
200-994 44mm



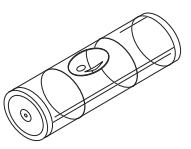
200-904



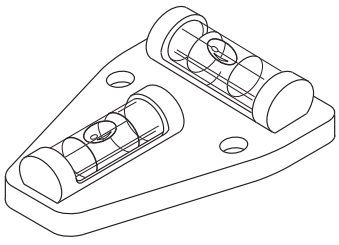
200-908



205-090WH 8-inch



200-989



200-991

DSS Quick Pipe Adapters

8"-Length Pipe Adapters for Satellite Dishes
Adapts C-Band and PrimeStar pipes for 18" dishes
Powder-Coated Durable Finish

- 200-904** 1⁵/₈" DSS Easy-Install Pipe Adapter
Suitable for 2⁷/₈" to 4¹/₂" ID Pipes
- 200-908** 1⁵/₈" DSS Easy-Install Pipe Adapter with
Protective Water-Cover Lip
Suitable for 2⁷/₈" ID Pipes
Powder-Coated Durable Finish, Length 8"

Dish Positioning Compass

Direction Finding Compass – Plastic
DSS Installation-Kit Component
Used in Initial Dish Positioning

- 200-990** 35mm Direction Finding Compass
- 200-994** 44mm Plastic Direction Finding Compass

F-F Flat Through Cable

205-090WH 8" White Flat F-F 75Ω Jumper
Cable Thickness ³/₃₂"
Eliminates drilling through walls and
conveniently runs under or
over windows and doors
Mounting Adhesive-Taped Back
Nickel-Plated Brass F Connectors
Soft Waterproof White PVC Jacket

Satellite Dish Levels

10x30mm Satellite Dish Levels Used in Installation

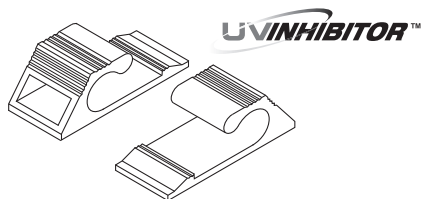
- 200-989** 10 x 30mm Single Satellite Dish Level
- 200-991** 10 x 30mm Dual Satellite Dish Level
Plastic Housing with Underside Magnet



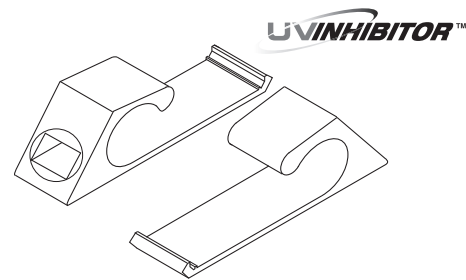
Cable Siding Clips

Available in Four Styles and Sizes for Attaching Coaxial Cable to Horizontal or Vertical Aluminum or Vinyl Siding High-Impact Plastic in Black or Clear UV Inhibitor™ protects from ultra-violet-ray damage

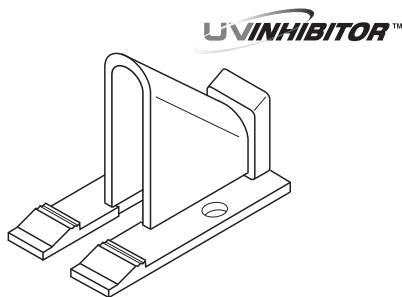
- 200-951BK** Horizontal RG59 Black Cable Clip
- 200-951CL** Horizontal RG59 Clear Cable Clip
- 200-952BK** Horizontal RG6 Black Vinyl-Siding
- 200-952CL** Horizontal RG6 Clear Vinyl-Siding
- 200-953BK** Vertical RG59 Black Siding Clip
- 200-953CL** Vertical RG59 Clear Siding Clip
- 200-954BK** Vertical RG6 Black Vinyl-Siding
- 200-954CL** Vertical RG6 Clear Vinyl-Siding



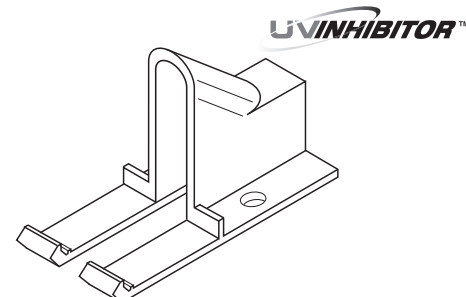
200-951BK Black
200-951CL Clear



200-952BK Black
200-952CL Clear



200-953BK Black
200-953CL Clear

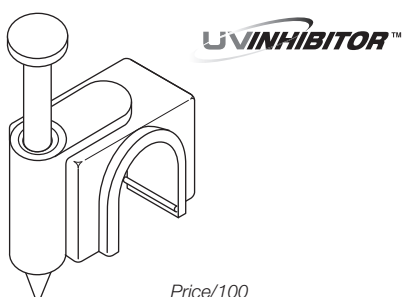


200-954BK Black
200-954CL Clear

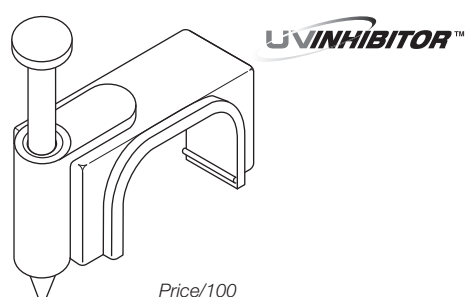
Coaxial Cable Clips

6-7mm Coaxial Nail-In Fasteners Attaches to wood, concrete, brick, masonry, plaster Zinc-Plated Pre-Inserted Hardened Steel Nail High-Impact Plastic

- 200-955** RG59 Black Clips – 3/4" Nail – 6mm
- 200-956** RG59 White Clips – 3/4" Nail – 6mm
- 200-960** RG6 Black Clips – 1" Nail – 7mm
- 200-961** RG6 White Clips – 1" Nail – 7mm
- 200-962BL** RG6 Dual Black Clips – 1" Nail – 7mm
- 200-962WH** RG6 Dual White Clips – 1" Nail – 7mm



200-955 RG59 Black
200-956 RG59 White
200-960 RG6 Black
200-961 RG6 White



200-962BL RG6-Dual Black
200-962WH RG6-Dual White

Flat-Cable Clips

300-954 White Plastic Nail-In Fasteners Suitable for 4C Flat Modular Cable Pre-Installed 1" Carbon-Steel Nails Suitable for Wood, Plaster, Mortar or Concrete Block

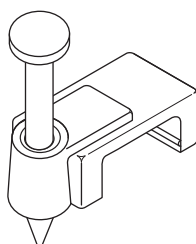
Price/100

Price/100

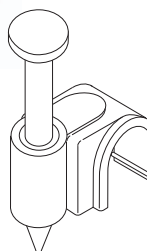
Ground Wire Clips

AWG10-14 Ground Wire Clip Attaches to wood, concrete, brick, masonry and plaster Zinc-Plated Pre-Inserted Hardened Steel Nail High-Impact Plastic

- 300-955BK** Ground Wire Clip – Black ◀ **NEW**
- 300-955GY** Ground Wire Clip – Grey ◀ **NEW**
- 300-955WH** Ground Wire Clip – White ◀ **NEW**



300-954 Modular Clip



Price/100

300-955BK Black
300-955GY Grey
300-955WH White

Grip-Clip™ Mounting Clips

Grip-Clip™ Cable Mounting Clips
Automatically adjust to coaxial wire size
Provide strain relief without pinching or damage
Prevent signal loss and protect the installation
Pre-loaded screws and integral automatic ratchet mechanism allow for easy, one-handed installation
High Impact Durable Polyethylene Construction
UV Inhibitor™ protects from ultra-violet-ray damage
Various Sizes for Telecommunications Wire and Series 6 and 59 Coax, Single and Dual, with and without Messenger Wire

- NEW ▶ 200-963BK** Single Coax Grip-Clip™, Black
- NEW ▶ 200-963GY** Single Coax Grip-Clip™, Grey
- NEW ▶ 200-963IV** Single Coax Grip-Clip™, Ivory
- NEW ▶ 200-963WH** Single Coax Grip-Clip™, White
- NEW ▶ 200-964BK** Dual Coax Grip-Clip™, Black
- NEW ▶ 200-964GY** Dual Coax Grip-Clip™, Grey
- NEW ▶ 200-964IV** Dual Coax Grip-Clip™, Ivory
- NEW ▶ 200-964WH** Dual Coax Grip-Clip™, White
- NEW ▶ 200-965BK** Ground Wire Grip-Clip™, Black
- NEW ▶ 200-965WH** Ground Wire Grip-Clip™, White

Nylon Cable Clamps

Clear Virgin 6/6 Nylon-UL94V2 Self Extinguishing Clamps

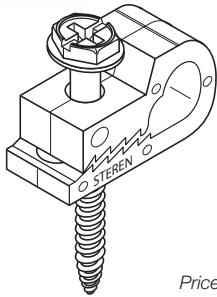
- 400-505CL** 1/4" Cable Clamp – 3/8" Wide
- 400-510CL** 3/8" Cable Clamp – 1/2" Wide
- 400-515CL** 1/2" Cable Clamp – 1/2" Wide

Metal Cable Clamps

- NEW ▶ 400-520** AWG10 Ground Aluminum Cable-Clip
- NEW ▶ 400-525** Series-6 Cable Aluminum Cable-Clip
- NEW ▶ 400-530** Steel E-Drop Cable Clip



UVINHIBITOR™

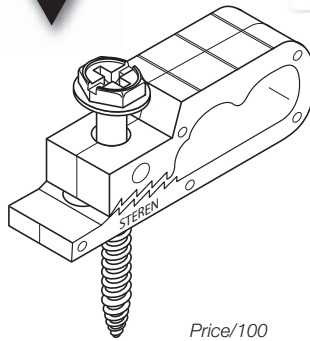


Price/100

- 200-963BK** Black
- 200-963GY** Grey
- 200-963IV** Ivory
- 200-963WH** White



UVINHIBITOR™

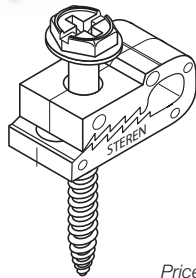


Price/100

- 200-964BK** Black
- 200-964GY** Grey
- 200-964IV** Ivory
- 200-964WH** White

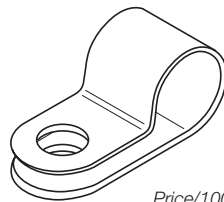


UVINHIBITOR™



Price/100

- 200-965BK** Black
- 200-965WH** White



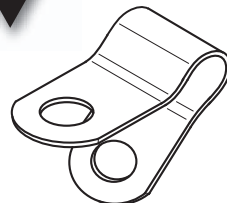
Price/100

- 400-505** 1/4"
- 400-510** 3/8"
- 400-515** 1/2"

UVINHIBITOR™



UVINHIBITOR™

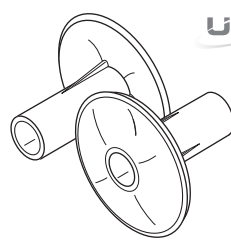


- 400-520** AWG10 Ground – Price/100
- 400-525** Series-6 – Price/100
- 400-530** E-Drop – Price/50

Feed-Through Bushings

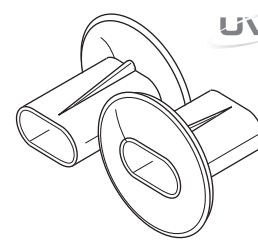
Seals wall openings – Secures and protects cable
Impact-Resistant ABS Plastic Construction
Acid-resistant UV Inhibitor™ protects bushing from
ultraviolet-ray damage

- 200-982BK** RG59 Black Bushing
- 200-986BK** RG6 Black Bushing
- 200-986CL** RG6 Clear-Natural Bushing
- 200-986IV** RG6 Ivory Bushing
- 200-986WH** RG6 White Bushing
- 200-988BK** RG6-Dual Black Bushing
- 200-988CL** RG6 Dual Clear-Natural Bushing
- 200-988IV** RG6-Dual Ivory Bushing
- 200-984BK** RG6 Black Bushing with Ground and Messenger Knockouts
- 200-984CL** RG6 Clear Bushing with Ground and Messenger Knockouts
- 200-984WH** RG6 White Bushing with Ground and Messenger Knockouts
- 200-985BK** RG6-Dual Black Bushing with Ground and Messenger Knockouts
- 200-985CL** RG6-Dual Clear Bushing with Ground and Messenger Knockouts
- 200-985WH** RG6-Dual White Bushing with Ground and Messenger Knockouts



UVINHIBITOR™

- 200-982BK** RG59 Black
- 200-986BK** RG6 Black
- 200-986CL** RG6 Clear
- 200-986IV** RG6 Natural-Ivory
- 200-986WH** RG6 White

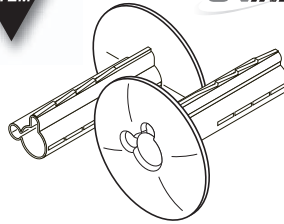


UVINHIBITOR™

- 200-988BK** RG6-Dual Black
- 200-988CL** RG6-Dual Clear
- 200-988IV** RG6-Dual Natural-Ivory



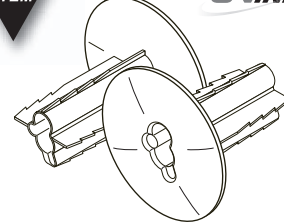
UVINHIBITOR™



◀ NEW



UVINHIBITOR™



◀ NEW

◀ NEW

◀ NEW

◀ NEW

◀ NEW

◀ NEW

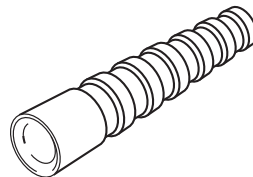
- 200-984BK** RG6 KO Black
- 200-984CL** RG6 KO Clear
- 200-984WH** RG6 KO White

- 200-985BK** RG6-Dual KO Black
- 200-985CL** RG6-Dual KO Clear
- 200-985WH** RG6-Dual KO White

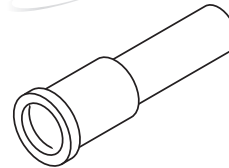
Cable Strain-Relief Boots

Slip-On Insulated Strain-Relief Covers
Protects and supports cable to prevent breakage

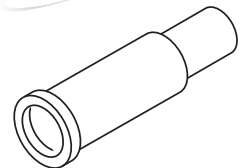
- 200-970BK** RG58 Black Cable Boot
- 200-972BK** RG59 Black Cable Boot



UVINHIBITOR™



UVINHIBITOR™



- 200-970BK** RG58 Black
- 200-972BK** RG59 Black

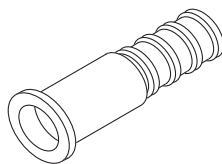
200-974BK 2"

200-975BK 2 1/2"

Weather Boots

Tapered-Inner-Diameter Weather Boots
Suitable for Regular-Tri-Quad Shield Series 6 and 59
Coaxial Cable – Flexible Rubber Construction
UV-Inhibitor™ Ultraviolet-Ray Resistant

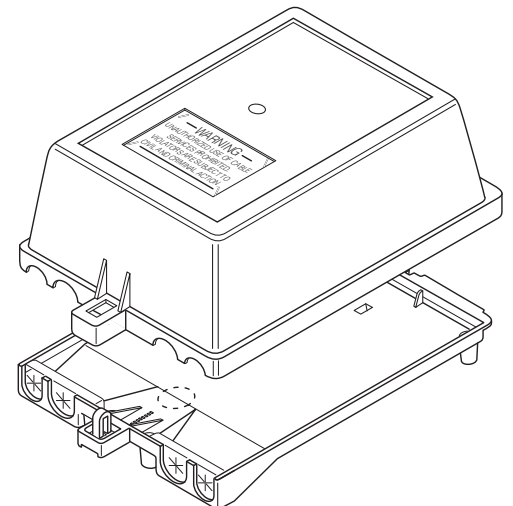
- 200-974BK** 2" Short Boot – Tapered I.D. 6 1/2-11mm
- 200-975BK** 2 1/2" Long Boot – Tapered I.D. 6 1/2-11mm
- 200-976BK** 2" Ribbed Short Boot – Tapered I.D. 7-12mm
- 200-978** F Weather Rubber Seal
Slips over F jacks to cover and protect connection joint
3/8" Diameter Black Rubber



UVINHIBITOR™

200-976BK 2" Ribbed

UVINHIBITOR™

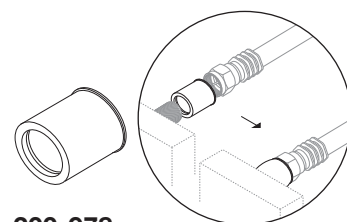


220-710

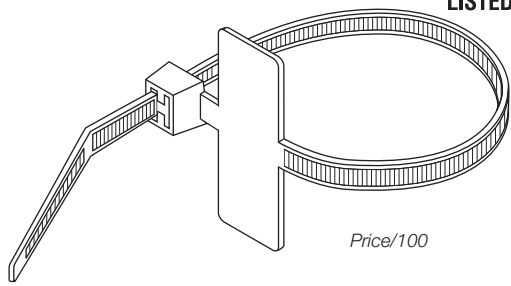
Box Service Enclosure

- 220-710** Weather-Resistant Service Enclosure
Provides secure enclosure for mounting splitters and terminating coax
Weatherproof HDPE Construction with UV Inhibitor for Added Durability
Padlock Eyelet for Added Security
Generous 3/4" x 1/2" Entrance Slots
Accommodates multiple cables and allows for future expansion
Removable Cover for Easy Access
Mounts flat or on a pole using screw, cable tie or U-bolt slots
6 1/4"(W) x 8 3/4"(H) x 2 3/4"(D)

UVINHIBITOR™

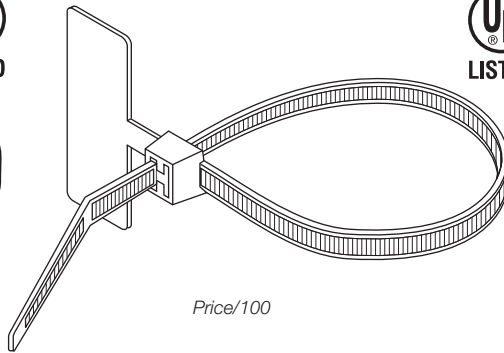


200-978



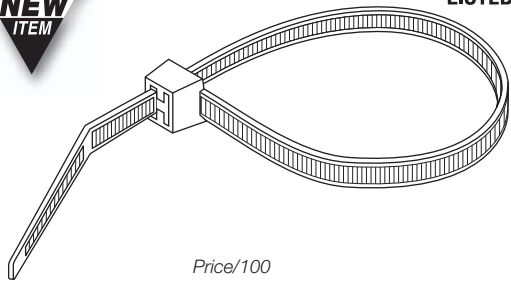
Price/100

400-604CL 3.9" 18-lbs Clear



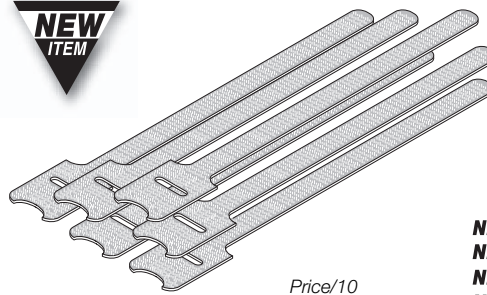
Price/100

400-605CL 4.3" 18-lbs Clear



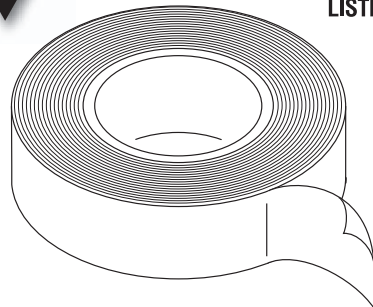
Price/100

- 400-708CL 8" 120-lbs Clear
- 400-712CL 12" 120-lbs Clear
- 400-715CL 15" 120-lbs Clear
- 400-804□□ 4" 18-lbs Black, Clear
- 400-806□□ 6" 18-lbs Black, Clear
- 400-808□□ 8" 18-lbs Black, Clear
- 400-812□□ 12" 40-lbs Black, Clear
- 400-815□□ 15" 40-lbs Black, Clear
- 400-828□□ 8" 50-lbs Black, Clear
- 400-832□□ 12" 50-lbs Black, Clear
- 400-835□□ 15" 50-lbs Black, Clear
- 400-841□□ 21" 50-lbs Black, Clear

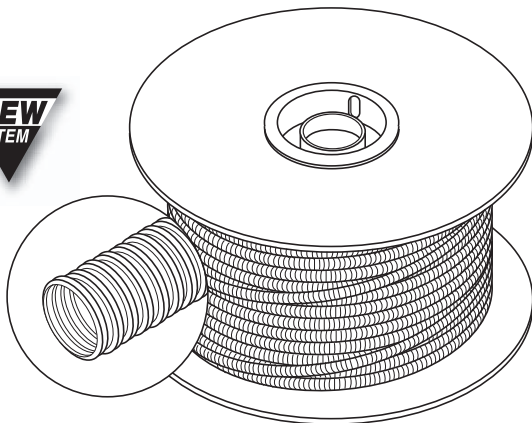


Price/10

- 400-858BK 8" Black
- 400-858BL 8" Blue



- 400-904BK 60' Non-UL Black
- 400-905BK 60' UL Black
- 400-905BL 60' UL Blue
- 400-905GR 60' UL Green
- 400-905WH 60' UL White



- 400-910□□ 1/2" Beige, Black, Grey
- 400-915□□ 3/4" Beige, Black, Grey
- 400-920□□ 1" Beige, Black, Grey



Self-Locking Cable Ties

Self-Locking Tie-Wraps
Bent Finger-Grip Tip Clear Virgin Nylon 6/6
UL94V2 Self Extinguishing

- 400-604CL 3.9" Clear 18-lbs Marker-Tie
- 400-605CL 4.3" Clear 18-lbs Marker-Tie
- 400-708CL 8" Clear 120-lbs Heavy Duty Tie
- 400-712CL 12" Clear 120-lbs Heavy Duty Tie
- 400-715CL 15" Clear 120-lbs Heavy Duty Tie
- 400-804BK 4" Black 18-lbs Cable-Tie
- 400-804CL 4" Clear 18-lbs Cable-Tie
- 400-806BK 6" Black 18-lbs Cable-Tie
- 400-806CL 6" Clear 18-lbs Cable-Tie
- 400-808BK 8" Black 18-lbs Cable-Tie
- 400-808CL 8" Clear 18-lbs Cable-Tie
- 400-812BK 12" Black 40-lbs Cable-Tie
- 400-812CL 12" Clear 40-lbs Cable-Tie
- 400-815BK 15" Black 40-lbs Cable-Tie
- 400-815CL 15" Clear 40-lbs Cable-Tie
- NEW ▶ 400-828BK 8" Black 50-lbs Cable-Tie
- NEW ▶ 400-828CL 8" Clear 50-lbs Cable-Tie
- NEW ▶ 400-832BK 12" Black 50-lbs Cable-Tie
- NEW ▶ 400-832CL 12" Clear 50-lbs Cable-Tie
- NEW ▶ 400-835BK 15" Black 50-lbs Cable-Tie
- NEW ▶ 400-835CL 15" Clear 50-lbs Cable-Tie
- NEW ▶ 400-841BK 21" Black 50-lbs Cable-Tie
- NEW ▶ 400-841CL 21" Clear 50-lbs Cable-Tie

Hook-and-Loop Wire Ties

Nylon Strap for Tying Cable – 8" Length
Hook side instantly attaches to loop side
Easy to Reopen and Reclose

- NEW ▶ 400-858BK Hook-and-Loop Wire Tie – Black
- NEW ▶ 400-858BL Hook-and-Loop Wire Tie – Blue

Electrical Tape

Weather-Resistant Black PVC Electrical Tape
3/4" Wide 0.18mm Thick

- 400-904BK 60' Black Non-UL Electrical Tape
- 400-905BK 60' Black UL Electrical Tape
- NEW ▶ 400-905BL 60' Blue UL Electrical Tape
- NEW ▶ 400-905GR 60' Green UL Electrical Tape
- NEW ▶ 400-905WH 60' White UL Electrical Tape

Split Wire Conduit

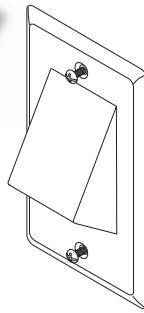
PVC split corrugated tubing protects wiring from abrasion and sunlight – Organizes wire connections
Eliminates clutter – Split for Easy Wire Insertion
Black Plastic Spool

- NEW ▶ 400-910BE 1/2" Beige Wire Conduit – 100ft.
- NEW ▶ 400-910BK 1/2" Black Wire Conduit – 100ft.
- NEW ▶ 400-910GY 1/2" Grey Wire Conduit – 100ft.
- NEW ▶ 400-915BE 3/4" Beige Wire Conduit – 100ft.
- NEW ▶ 400-915BK 3/4" Black Wire Conduit – 100ft.
- NEW ▶ 400-915GY 3/4" Grey Wire Conduit – 100ft.
- NEW ▶ 400-920BE 1" Beige Wire Conduit – 50ft.
- NEW ▶ 400-920BK 1" Black Wire Conduit – 50ft.
- NEW ▶ 400-920GY 1" Grey Wire Conduit – 50ft.

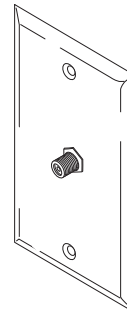
TV-Telephony Wall Plates

Modular TV and TV-Telephony Standard Wall Plates
3-6µ" Gold Plated Telephony Contacts
High-performance F81 splices (200-058) used in
2.5GHz version plates
High-Impact ABS Plastic – Flush-Mount Smooth Finish
Supplied with Matching Color Mounting Screws
2³/₄"(W) x 4¹/₂"(H)

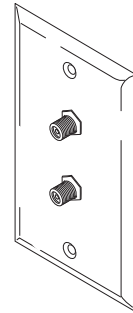
- 200-250IV** Satellite Ribbon Ivory Cable Plate **◀ NEW**
- 200-250WH** Satellite Ribbon White Cable Plate **◀ NEW**
- 200-251AL** TV Almond F-Jack Plate
- 200-251IV** TV Ivory F-Jack Plate
- 200-251WH** TV White F-Jack Plate
- 200-252AL** TV Almond Dual F-Jack Plate
- 200-252IV** TV Ivory Dual F-Jack Plate
- 200-252WH** TV White Dual F-Jack Plate
- 200-254AL** TV Almond 1-Hole Wall Plate
- 200-254BR** TV Brown 1-Hole Wall Plate
- 200-254IV** TV Ivory 1-Hole Wall Plate
- 200-254WH** TV White 1-Hole Wall Plate
- 200-256BR** TV Brown 2-Hole Wall Plate
- 200-256IV** TV Ivory 2-Hole Wall Plate
- 200-256WH** TV White 2-Hole Wall Plate
- 200-258BR** Blank Brown Cover Plate
- 200-258IV** Blank Ivory Cover Plate
- 200-258WH** Blank White Cover Plate
- 200-267AL** TV Almond F-Jack Plate – 2.5GHz
- 200-267BR** TV Brown F-Jack Plate – 2.5GHz
- 200-267IV** TV Ivory F-Jack Plate – 2.5GHz
- 200-267WH** TV White F-Jack Plate – 2.5GHz
- 200-268AL** TV Almond Dual F-Jack – 2.5GHz
- 200-268BR** TV Brown Dual F-Jack – 2.5GHz
- 200-268IV** TV Ivory Dual F-Jack – 2.5GHz
- 200-268WH** TV White Dual F-Jack – 2.5GHz
- 300-234AL** 4C Almond Tel-TV Jack
- 300-234IV** 4C Ivory Tel-TV Jack
- 300-234WH** 4C White Tel-TV Jack
- 300-235AL** 4C Almond Tel-TV Jack – 2.5GHz
- 300-235BR** 4C Brown Tel-TV Jack – 2.5GHz
- 300-235IV** 4C Ivory Tel-TV Jack – 2.5GHz
- 300-235WH** 4C White Tel-TV Jack – 2.5GHz
- 300-237IV** 4C Ivory 2xTV Phone Wall Plate
- 300-237WH** 4C White 2xTV Phone Wall Plate
- 300-238AL** 4C Almond 2xTV Phone – 2.5GHz
- 300-238BR** 4C Brown 2xTV Phone – 2.5GHz
- 300-238IV** 4C Ivory 2xTV Phone – 2.5GHz
- 300-238WH** 4C White 2xTV Phone – 2.5GHz
- 300-240IV** 4C Ivory DSS Diplexer Wall Plate
Uses Steren Mini-Diplexer 201-254
- 300-240WH** 4C White DSS Diplexer Wall Plate
Uses Steren Mini-Diplexer 201-254
- 301-234AL** 4C Tel-TV Almond Jack UL
- 301-234IV** 4C Tel-TV Ivory Jack UL
- 301-234WH** 4C Tel-TV White Jack UL



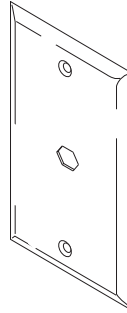
200-250IV Ivory
200-250WH White



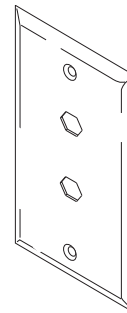
200-251AL Almond
200-251IV Ivory
200-251WH White
200-267AL 2.5GHz Almond
200-267BR 2.5GHz Brown
200-267IV 2.5GHz Ivory
200-267WH 2.5GHz White



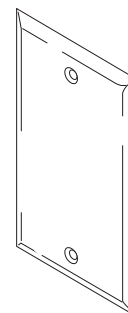
200-252AL Almond
200-252IV Ivory
200-252WH White
200-268AL 2.5GHz Almond
200-268BR 2.5GHz Brown
200-268IV 2.5GHz Ivory
200-268WH 2.5GHz White



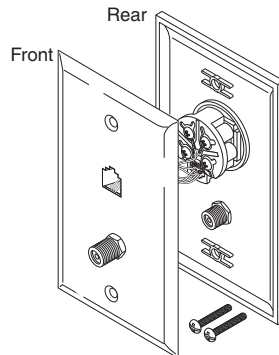
200-254AL Almond
200-254BR Brown
200-254IV Ivory
200-254WH White



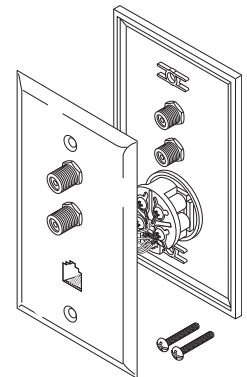
200-256BR Brown
200-256IV Ivory
200-256WH White



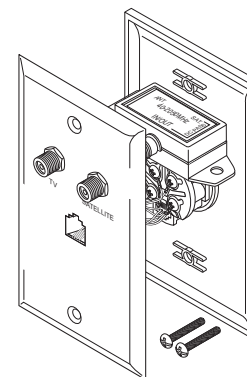
200-258BR Brown
200-258IV Ivory
200-258WH White



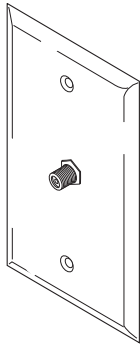
300-234AL 4C Almond
300-234IV 4C Ivory
300-234WH 4C White
300-235AL 2.5GHz Almond
300-235BR 2.5GHz Brown
300-235IV 2.5GHz Ivory
300-235WH 2.5GHz White
301-234AL 4C Almond UL
301-234IV 4C Ivory UL
301-234WH 4C White UL



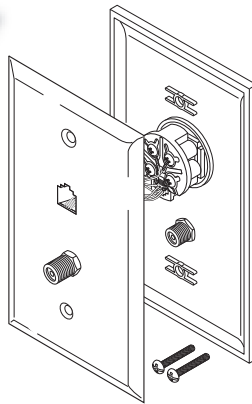
300-237IV 4C Ivory
300-237WH 4C White
300-238AL 2.5GHz Almond
300-238BR 2.5GHz Brown
300-238IV 2.5GHz Ivory
300-238WH 2.5GHz White



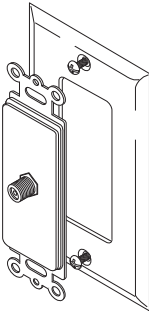
300-240IV 4C Ivory Diplexer
300-240WH 4C White Diplexer



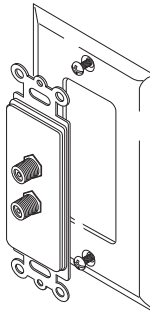
200-411AL Mid-Size Almond
200-411IV Mid-Size Ivory
200-411WH Mid-Size White



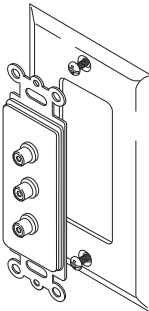
300-233AL Mid-Size Almond
300-233IV Mid-Size Ivory
300-233WH Mid-Size White



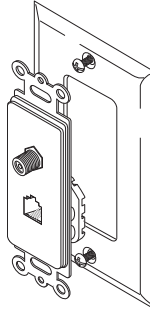
200-253IV Ivory-Gold
200-253WH White-Gold



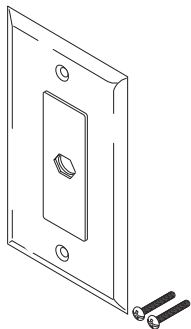
200-255IV Ivory-Gold
200-255WH White-Gold



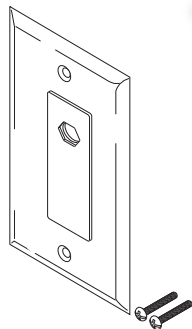
200-260IV Ivory-Gold
200-260WH White-Gold



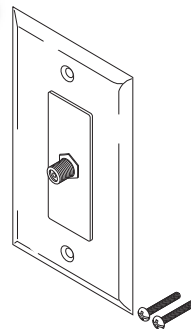
300-103IV 4C Ivory-Gold
300-103WH 4C White-Gold



200-261BR Brown
200-261IV Ivory
200-261WH White



200-263IV Ivory
200-263WH White



200-265BR Brown
200-265IV Ivory
200-265WH White
200-266BR 1GHz Brown
200-266IV 1GHz Ivory
200-266WH 1GHz White



Mid-Size TV-Telephony Plates

Modular TV and TV-Telephony Mid-Size Wall Plates
 3-6µ" Gold Plated Contacts – High-Impact ABS Plastic
 Flush-Mount Smooth Finish
 Supplied with Matching Color Mounting Screws
 3 1/8"(W) x 4 7/8"(H)

- NEW ▶ 200-411AL** TV Almond Mid-Size Plate w/Coupler
- NEW ▶ 200-411IV** TV Ivory Mid-Size Plate w/Coupler
- NEW ▶ 200-411WH** TV White Mid-Size Plate w/Coupler
- NEW ▶ 300-233AL** 4C Almond Tel-TV Jack Mid-Size
- NEW ▶ 300-233IV** 4C Ivory Tel-TV Jack Mid-Size
- NEW ▶ 300-233WH** 4C White Tel-TV Jack Mid-Size

Decorator-Style Wall Plates

Single Gang Decorator-Style Flush Plates
 Mounted in Standard Electrical Boxes
 3-6µ" Gold Plated Modular Jack Contacts
 High-Impact ABS Plastic Mounting Bracket
 Supplied with Matching-Color Mounting Screws
 2 3/4"(W) x 4 1/2"(H)

- 200-253IV** TV Ivory Decorator F-Jack – Gold
- 200-253WH** TV White Decorator F-Jack – Gold
- 200-255IV** TV Ivory Decorator Dual F – Gold
- 200-255WH** TV White Decorator Dual F – Gold
- 200-260IV** 3-RCA Ivory Decorator – Gold
Yellow-Red-White Jack Insulators
- 200-260WH** 3-RCA White Decorator – Gold
Yellow-Red-White Jack Insulators
- 300-103IV** 4C Ivory Tel-TV Decorator Jack
Gold-Plated F81 Connector
- 300-103WH** 4C White Tel-TV Decorator Jack
Gold-Plated F81 Connector

Economy Decorator Wall Plates

Single-Piece Flush-Mount TV Wall Plates
 High-Impact ABS Plastic with Mounting Hardware
 2 3/4"(W) x 4 1/2"(H)

- 200-261BR** TV Brown 1-Hole Economy Plate
- 200-261IV** TV Ivory 1-Hole Economy Plate
- 200-261WH** TV White 1-Hole Economy Plate
- 200-263IV** TV Ivory Offset-Hole Economy Plate
- 200-263WH** TV White Offset-Hole Economy Plate
- 200-265BR** F81 Brown Economy Plate
- 200-265IV** F81 Ivory Economy Plate
- 200-265WH** F81 White Economy Plate
- NEW ▶ 200-266BR** 1GHz F81 Brown Economy Plate
- NEW ▶ 200-266IV** 1GHz F81 Ivory Economy Plate
- NEW ▶ 200-266WH** 1GHz F81 White Economy Plate

Audio-Video Senders

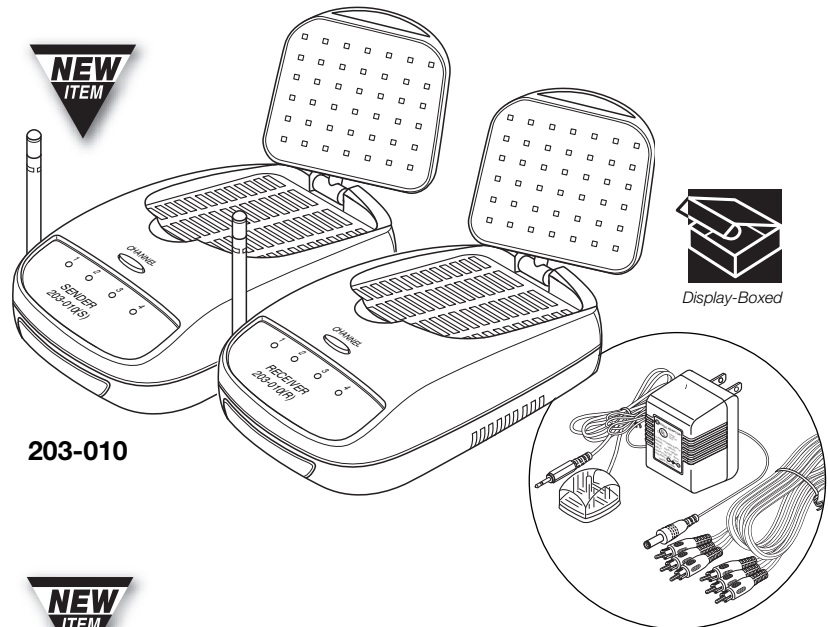
Premium Wireless Audio-Video Signal Extenders
Work with CATV system – Eliminate wire runs
Transmit audio and video signals to a remote
monitor – 2.4GHz wide-band FM high frequency
reduces interference from other cordless devices
Supplied with Sender and Receiver Units
Includes Remote Control Repeater
LED Channel Indicators – Directional Antenna
150' Remote Control Range – 300' Operational
Range – Includes power unit and RCA cables

203-010 4-Channel A/V Sender ◀ **NEW**
Includes 12VDC 350mA transformer
2"(H) x 4³/₄"(W) x 7¹/₈"(D)

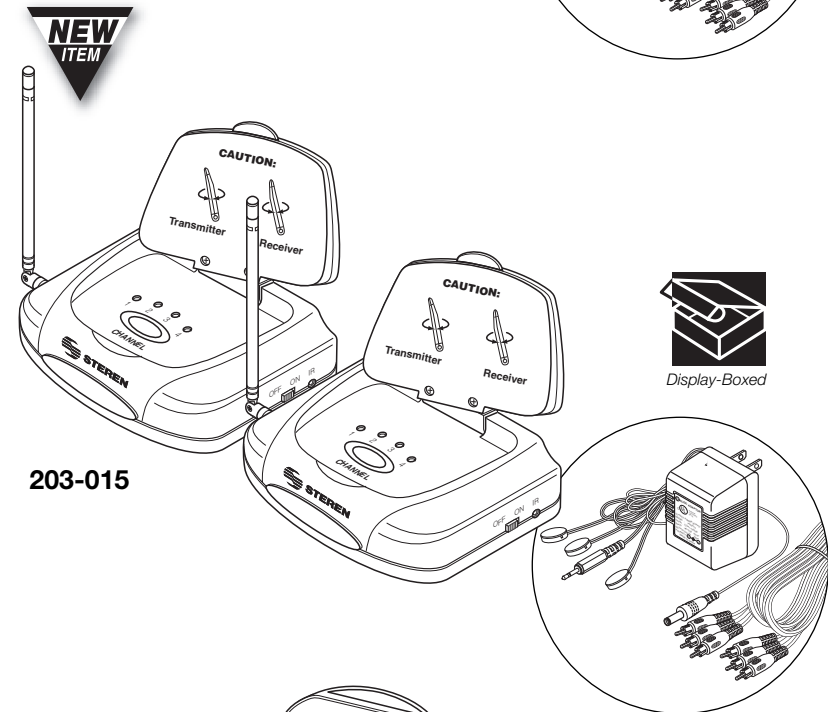
203-015 Mini 4-Channel A/V Sender ◀ **NEW**
Includes 9VDC 230mA transformer
1¹/₃"(H) x 3¹/₂"(W) x 4³/₄"(D)

Wireless Security Camera

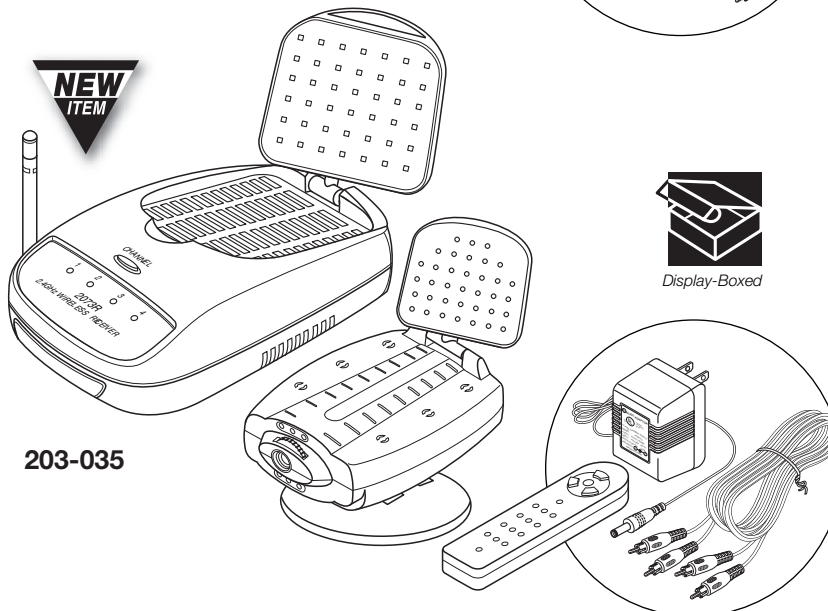
203-035 Wireless Color Security Camera ◀ **NEW**
System – Transmits through walls,
ceilings, floors
Conveniently monitors households,
offices, pools, hot tubs on any TV
4-Channel Wideband FM Modulation
for Crisp and Clear Audio and Video
High Gain Directional Transmit Antenna
2.4GHz Transmit Frequency
510x492 Pixels – LED indicators
Infrared remote control included
Auto/Manual Channel Selection
Includes 12VDC 500mA transformer
325' Range Maximum Open Area
Receiver: 2¹/₈"(H) x 4¹/₃"(W) x 7"(D)
Camera: 1⁷/₈"(H) x 4"(W) x 5¹/₂"(D)



203-010

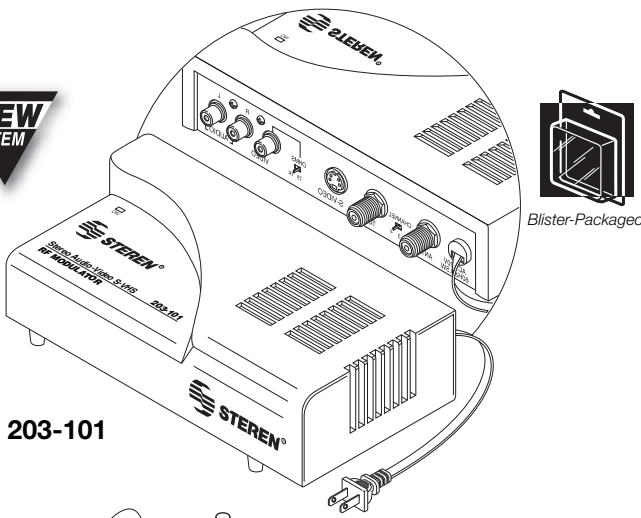


203-015



203-035

**NEW
ITEM**



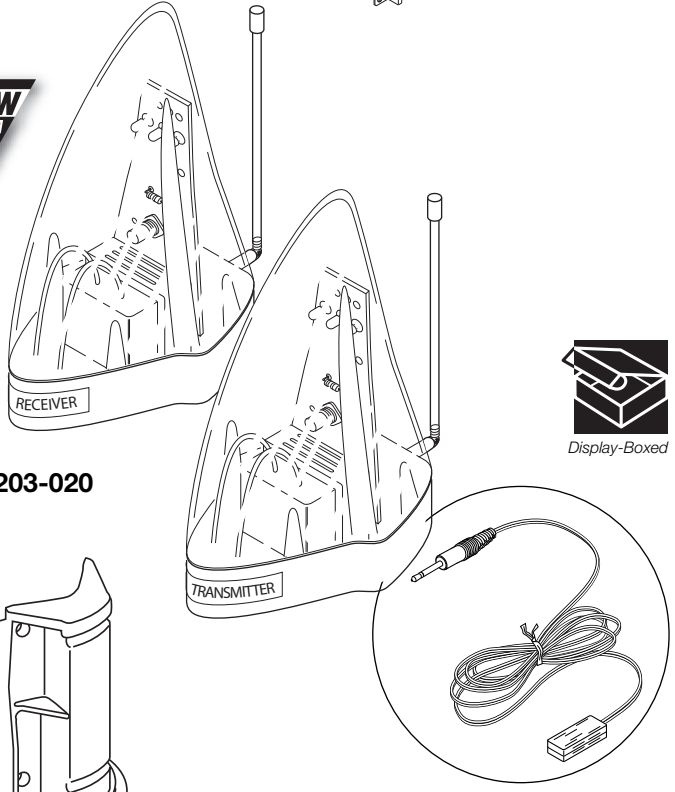
Blister-Packaged

203-101

Audio-Video RF Modulator

NEW ▶ 203-101 Audio-Video RF Modulator
Connects RCA and S-Video inputs from DVD players, camcorders, video game system consoles or any A/V equipment to an F-type output Suitable for Older TV Sets not Equipped with RCA or S-Video Inputs
RF Output Channels 3&4
RF Output Impedance 75Ω
Video Input Impedance 75/1kΩ
Audio Input Impedance 13±3kΩ
TV-ANT Insertion Loss 2dB @ 806MHz
Power Source 120VAC 60Hz 4.5W
5 7/8" (W) x 1 7/8" (H) x 3" (D)

**NEW
ITEM**



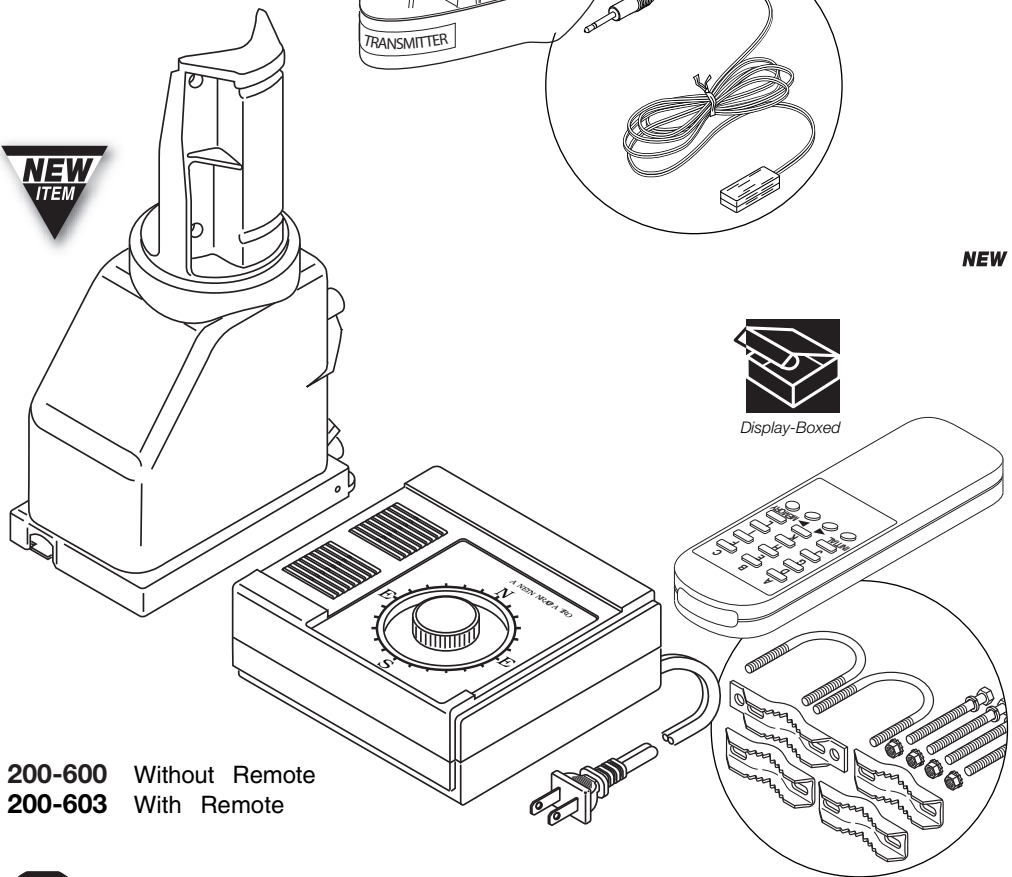
Display-Boxed

203-020

Remote Signal Extender

NEW ▶ 203-020 Remote Control Signal Extender
Use with any IR signal remote
Remote to Transmitter Range 15'
Operational Range 180'
Frequency 35-41kHz
Low attenuation
LEDs indicate signals detected
120VAC 1W
2 3/4" (W) x 3 1/2" (H) x 4 3/4" (D)

**NEW
ITEM**



Display-Boxed

200-600 Without Remote
200-603 With Remote

TV Antenna Rotators

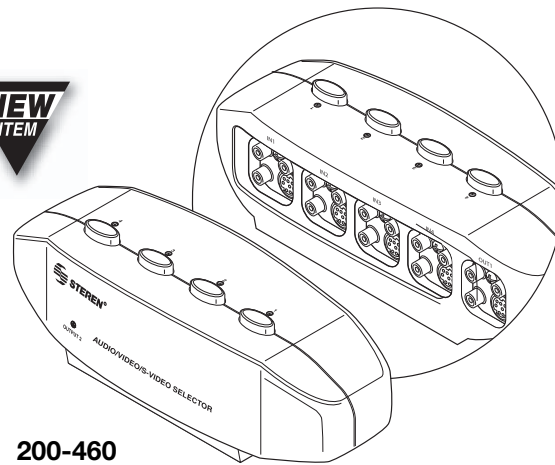
Outdoor TV Antenna Rotator Systems
Aims off-air antenna precisely at signal source, reducing interference
Suitable for 1 1/2" - 1 3/4" Masts
Motor Torque 160lb-in - 1-RPM
Maximum Vertical Load 100-lbs
Power Source 117VAC 60Hz 62W
Includes mounting hardware
Supplied With or Without Remote Control Unit
Requires 20-gauge 3-conductor cable
Controller 7" (W) x 2 3/8" (H) x 5 3/4" (D)
Rotator 6 1/2" (W) x 11 1/2" (H) x 3 1/2" (D)

NEW ▶ 200-600 Antenna Rotator without Remote
200-603 Antenna Rotator with Remote

Audio-Video Selectors

Automatic and Manual Audio-Video Selectors
Connect 4 audio-video sources to a single TV set
Suitable for DVD Players, DVRs/PVRs, VCRs,
Camcorders, Video Game System Consoles
Manual or automatic controls switch between
various sources, eliminating the need for
multiple monitors

200-460 Manual Audio Video Selector ◀ **NEW**
4 Push-Button Source Selectors
Color-Coded Inputs with Gold-Plated S-Video, Composite Video
and Stereo Jacks
7 1/2" (W) x 2 1/2" (H) x 3" (D)

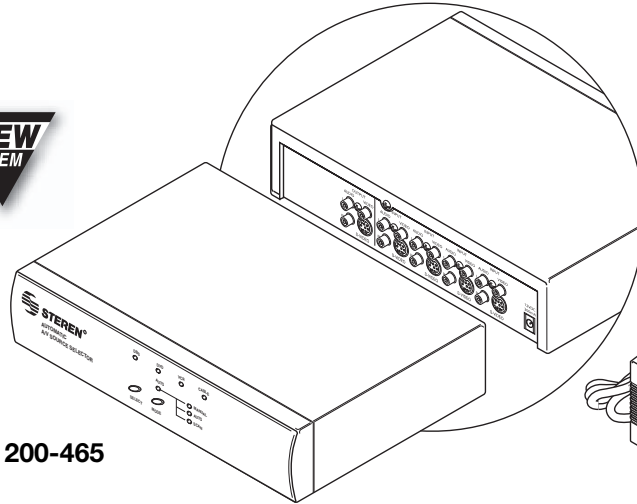


200-460



Display-Boxed

200-465 Automatic Audio Video Selector ◀ **NEW**
4 S-Video and Composite Video Inputs
Automatically redirects signal to
display active signal source
Indicators display signal source and
select/auto-scan
Includes 12VDC 200mA transformer
9 3/4" (W) x 2 3/8" (H) x 6 1/4" (D)

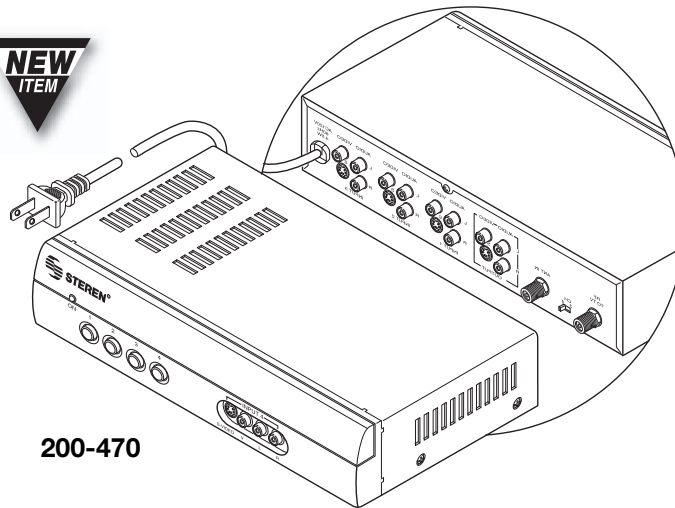


200-465



Display-Boxed

200-470 Manual A/V Selector Modulator ◀ **NEW**
4 S-Video and Composite Video Inputs
Integrated Ch 3/4 RF Modulator
Designed to convert separate
audio and video signals into
a single VHF-TV signal (Ch 3 or 4)
viewable on most TV sets
Includes 120VAC 4.5W transformer
9 1/8" (W) x 5 1/8" (H) x 1 7/8" (D)



200-470



Display-Boxed

Coaxial Switches

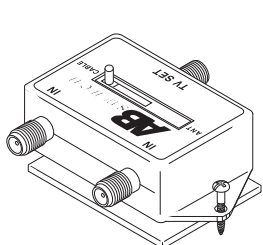
Used to switch between 2 or 3 input sources
Hardware and Adhesive Pad Included
75Ω Inputs – 75Ω Output
Bandwidth 5-900MHz UHF-VHF-FM

200-310 2-Way Slide Switch – Low Cost
60dB Isolation Diecast Housing

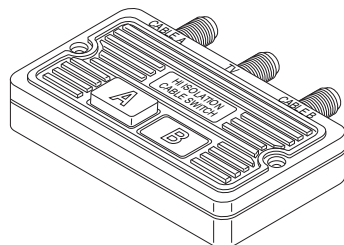
200-315 2-Way Push-Button Switch
90dB High Isolation
Heavy Duty Die-Cast Inner Housing
Solid Push-Button Constant-Contact

200-320 2-Way Slide Switch
75dB Isolation – Shielded Housing

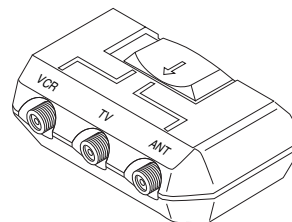
200-345 3-Way Push-Button Switch
60dB Isolation – Shielded Housing



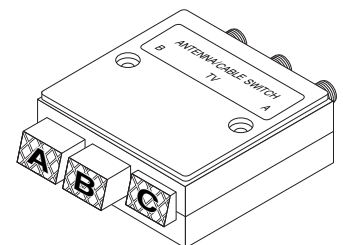
200-310



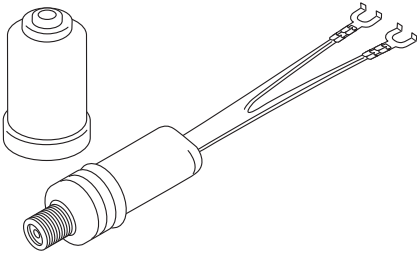
200-315



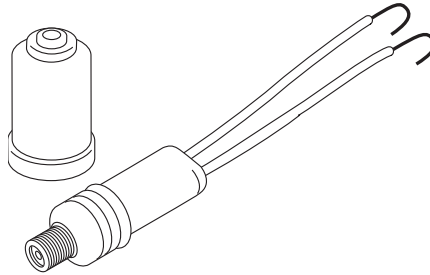
200-320



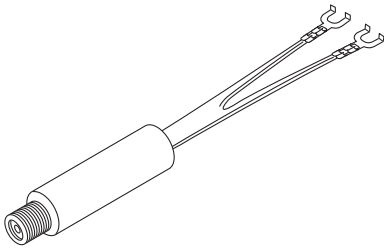
200-345



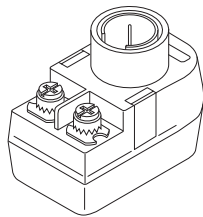
200-490



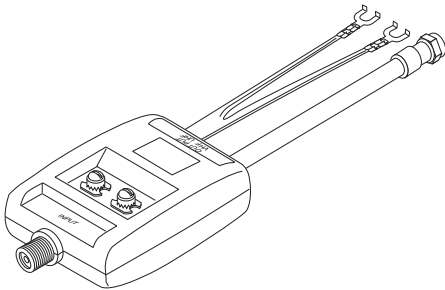
200-495



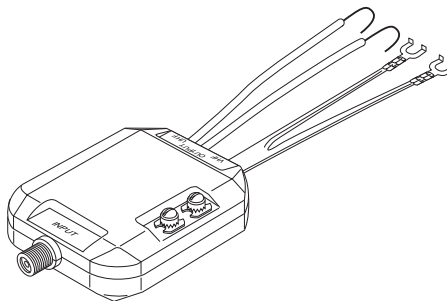
200-500 Nickel Connector
200-505 Gold Connector



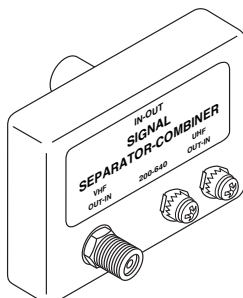
200-510



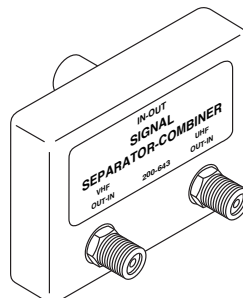
200-610



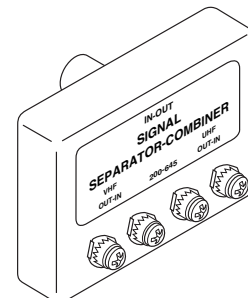
200-635



200-640



200-643



200-645

Matching Transformers

75/300Ω Impedance Matching Baluns
Bandwidth 5-900 MHz UHF-VHF-FM

200-490 Indoor-Outdoor 75-300Ω Balun
Sealed Molded PVC Construction
300Ω Twin-Wire Leads
Protective Weather Boot Included

200-495 Indoor-Outdoor 75-300Ω Balun
Sealed Molded PVC Construction
AWG16 Solid Hook Terminals
Protective Weather Boot Included

200-500 Indoor 75-300Ω Balun

200-505 Indoor 75-300Ω Balun – Gold

200-510 Quick-Connect 300-75Ω Balun
Insulation Piercing Screws

Band Separators

200-610 3-Band Separator – 75Ω Input
300Ω UHF-FM – 75Ω VHF

200-635 3-Band Separator – 75Ω Input 300Ω
UHF-VHF-FM Outputs

Signal Combiners

200-640 2-Band Combiner – 75Ω Output
75Ω/VHF 300Ω/UHF Inputs

200-643 2-Band Combiner – 75Ω Output
75Ω UHF-VHF Inputs

200-645 2-Band Combiner – 75Ω Output
300Ω UHF-VHF Inputs

b

**Satellite/CATV
Drop Installation Materials**

Notes