



A Pentair Company

"Hoffman offered the best value for our OI needs in terms of flexibility, quality, and function. It was an easy decision."



STOCKED AND SOLD BY...
CUNY & GUERBER, INC.
WHOLESALE ELECTRICAL SUPPLIES & EQUIPMENT
2100 KERRIGAN AVENUE*UNION CITY, NJ 07087
TEL 201-617-5800*FAX 201-617-5557
VISIT US @ www.cuny.biz

Operator Interface Enclosure Systems

Ergonomic, state-of-the-art enclosures for maximum operator productivity and comfort.

If you're looking for a large selection of operator interface enclosure solutions, products, and accessories, look no farther than Hoffman. As more operator controls and sensitive electronics appear on the plant floor, the variety of Hoffman OI enclosures continues to expand. Whether your needs are for the latest enclosure mounting technology, such as our revolutionary full-range vertical motion pendant arm that adjusts in all directions with the touch of a finger, or for our field-proven, conventional control enclosures such as pushbuttons, consoles, desks, and workstations, Hoffman has the rugged yet intelligently designed solution to ensure maximum operator efficiency.

▶ Index

Enclosures

CC2000 Operator Interface Enclosure System	2.10
CC4000 Operator Interface Enclosure System	2.14
CONCEPT® Operator Interface Enclosures	2.24
COMPACT® CC1 Operator Interface Enclosures	2.32
INLINE® Operator Interface Enclosures	2.02
PROLINE® Sloped Top OI Enclosure System	2.36

Enclosure Packages and Consoles

APX-DC Desk Console	2.116
CONCEPT® Console	2.126
CONCEPT® Double-Door Console	2.128
Consoles	2.134
Networking PC Cabinet	2.114
PROLINE® Gold Series CWS	2.110
PROLINE-PC and PROLINE-SY Packages	2.130

Mounting Options

Bases for PROLINE® Slope Top OI Enclosure System	2.58
COMPACT® Pendant Arm Series 1	2.70
COMPACT® Pendant Arm Series 2	2.72
COMPACT® Pendant Arm Series 4	2.80
Pedestals and Pedestal Accessories for INLINE® OI and CONCEPT® OI Enclosures	2.56
Pedestals and Pedestal Accessories for Sloped Top OI Enclosures	2.60
Frame Base for PROLINE® Sloped Top OI Enclosures	2.64
Stainless Steel Operator Interface Enclosures and Pendant Arms	2.94
Vertical Motion Pendant Arm for NEMA 12 Environments	2.92

Pushbutton Enclosures

22.5mm	2.146
30.5mm and 22.5mm	2.142
DPB	2.144
Extra-Deep 30.5mm and 22.5mm	2.140
Extra-Large 30.5mm and 22.5	2.138
Sloping Front 30.5mm and 22.5mm	2.136



Vertical Motion Pendant Arm

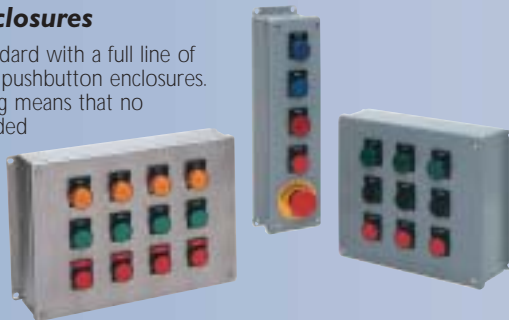
Requiring only one finger to operate, Hoffman's innovative Vertical Motion Pendant Arm offers true omni-directional movement and tilting to ergonomically accommodate different operators in all conditions. Built ruggedly for enclosure weights ranging from 25 lb to 100 lb, the arm is easily field adjustable for weight and movement sensitivity.

See page 2.92

Pushbutton Enclosures

Hoffman sets the standard with a full line of 22.5mm and 30.5mm pushbutton enclosures. This expanded offering means that no modifications are needed to accommodate 22.5mm pushbutton devices.

See pages 2.136-2.146



CC2000 Operator Interface Enclosure System

The CC2000 Enclosure System features new aesthetically-designed extruded aluminum top and sides. Designed to accommodate a variety of touchscreens and control panels, the CC2000 series also offers hinged body models that provide extra depth and rear access.

See page 2.10



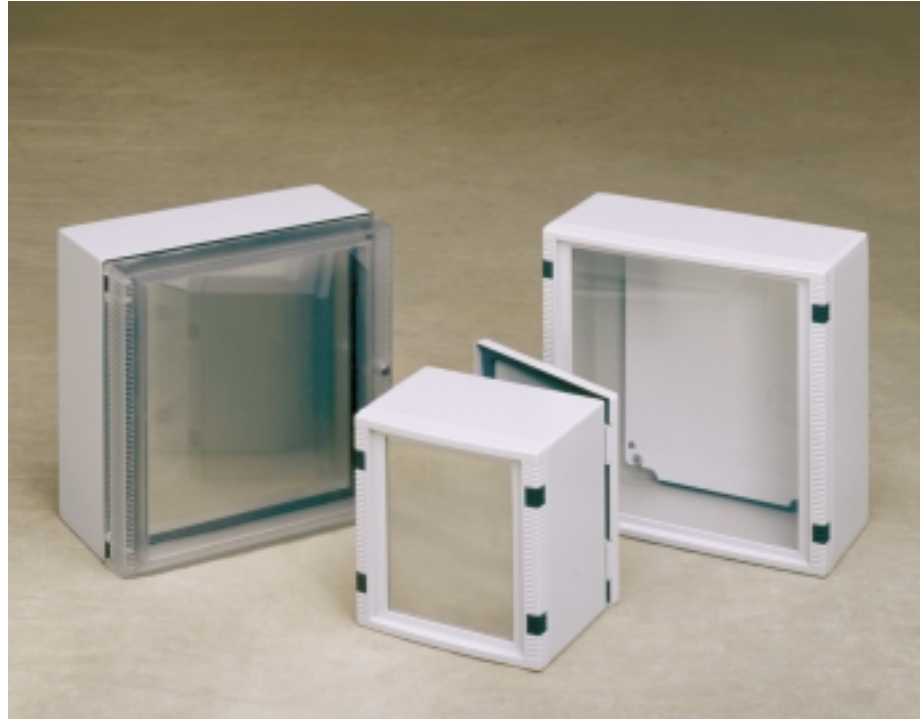
A Pentair Company

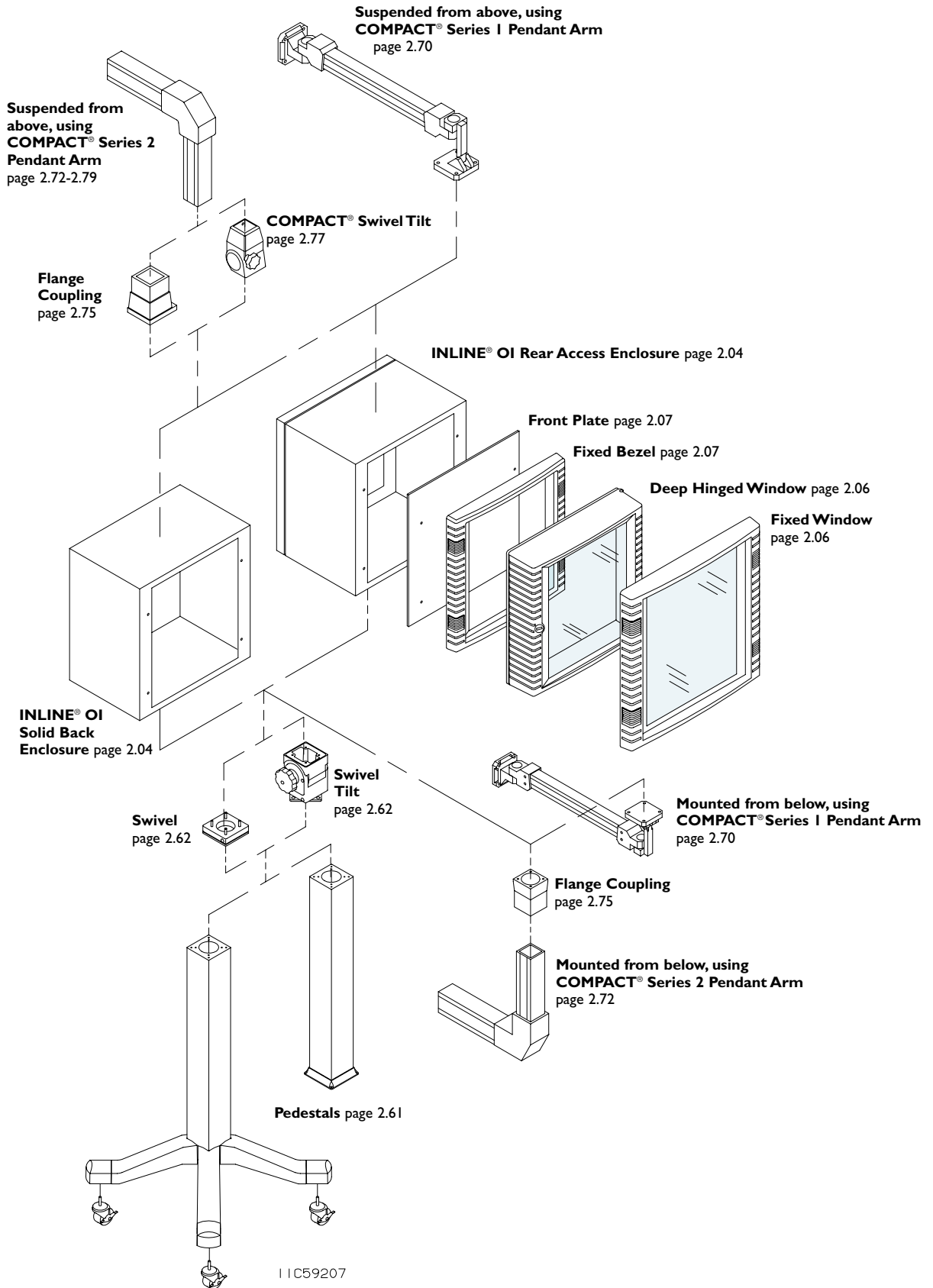
INLINE[®] Operator Interface Enclosures

Like their industrial enclosure counterpart, these INLINE[®] Operator Interface (OI) enclosures are remarkably well-suited to protecting vulnerable small OI devices in control applications.

All INLINE[®] OI enclosures combine an attractive design with practical functionality. As a result, the enclosures are highly adaptable. Several different body and window styles are available for maximum flexibility. Front plates and bezels are also offered as accessories.

Designed to be mounted wherever operator controls are needed, INLINE[®] OI enclosures have several mounting options. The enclosures can be easily mounted to a pedestal, wall-mounted, or attached to either the COMPACT[®] Series 1 or Series 2 pendant system.

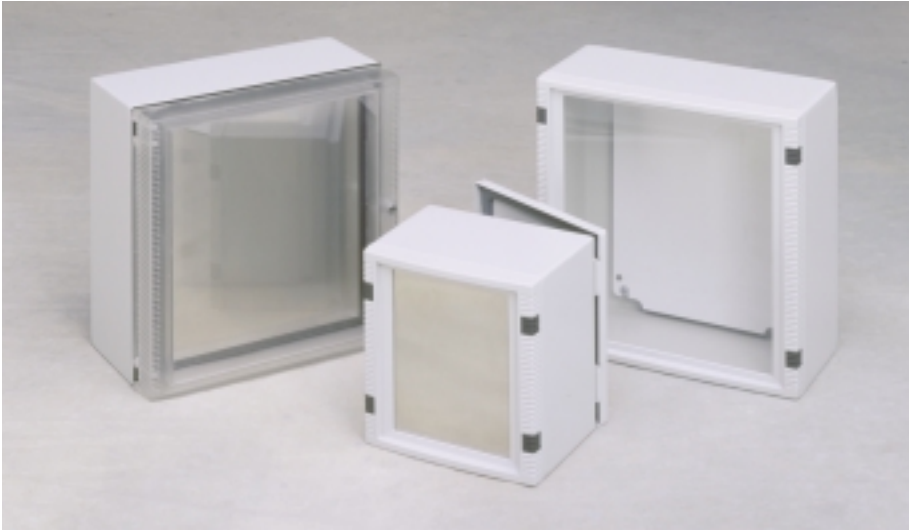






A Pentair Company

INLINE® Operator Interface Enclosures



Application

INLINE® Operator Interface enclosures can be used as control housings for a number of small flat screen OI devices, pushbuttons, lights, meters, gauges, and other similar devices. These enclosures can be configured to accommodate either subpanel or DIN rail internal mounting. Enclosures are manufactured to be pendant, pedestal, or wall-mounted.

Finish

RAL 7035 textured light gray polyester powder paint inside and out over phosphatized surfaces. Optional panels are white.

Industry Standards

UL 508A, 508, File Number E61997: Type 4 and Type 12
NEMA/EEMAC Type 4 and Type 12
CSA File Number LR42186: Type 4 and Type 12
IEC 60529, IP66

Accessories

See Chapter 12, General Accessories.

Corrosion Inhibitors
Electric Heaters
Touch-Up Paint (ATPG7035)

DIN Panel Mounting System Patent 5,683,005 (U.S.)

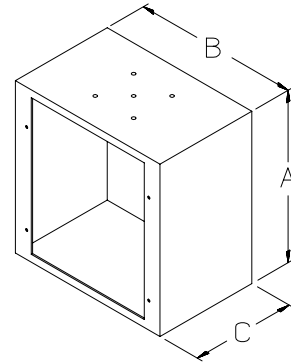


Solid Back Body

Solid back body is 16 gauge steel with open front. Front is configured to install optional fixed bezel, deep-hinged window, or fixed window. Panels or DIN rails mount on studs in the rear of the enclosure. Ground stud furnished. Drill points on enclosure mark location for pendant or pedestal mounting.

Enclosure Catalog Number	Description	Enclosure Size A x B x C
LLB161612	Solid Back Body	166 x 160 x 102 (6.54 x 6.30 x 4.00)
LLB252512	Solid Back Body	250 x 250 x 102 (9.84 x 9.84 x 4.00)

Inch dimensions in ().

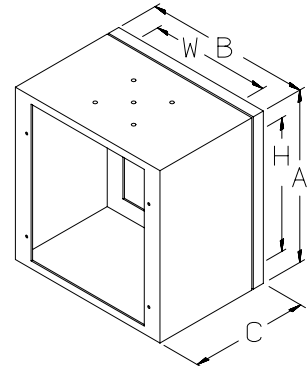


Rear Access Body

Enclosure body is 16 gauge steel with rear access door. Open front is configured to install optional fixed bezel, deep-hinged window, or fixed window. Rear door, furnished with foam-in-place gasket and quarter-turn latch (standard slotted insert), accepts most INLINE® door accessories. Ground stud furnished. Drill points on enclosure mark location for pendant or pedestal mounting.

Enclosure Catalog Number	Description	Enclosure Size A x B x C	Rear Door Opening H x W
LLBR161612	Rear Access Body	166 x 160 x 120 (6.54 x 6.30 x 4.72)	148 x 142 (5.82 x 5.58)
LLBR252512	Rear Access Body	250 x 250 x 120 (9.84 x 9.84 x 4.72)	232 x 232 (9.13 x 9.13)

Inch dimensions in ().



11C59208



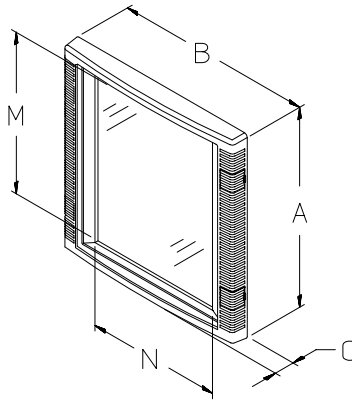
A Pentair Company

INLINE® Operator Interface Enclosures



Fixed Window Kit

Aesthetic die-cast zinc frame has .125-inch-thick clear polycarbonate window. Preassembled kit is secured to front opening of enclosure by mounting screws. Window frame caps conceal mounting screws. Frame has RAL 7035 light gray textured polyester powder paint.



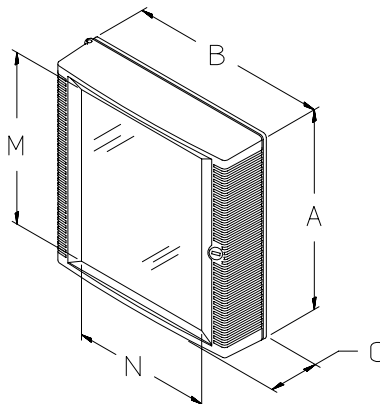
Catalog Number	A	B	C	Window Size M x N
LWF1616	166 (6.54)	160 (6.30)	17 (0.67)	136 x 109 (5.35 x 4.30)
LWF2525	250 (9.84)	250 (9.84)	17 (0.67)	220 x 200 (8.65 x 7.84)

Inch dimensions in ().



Deep-Hinged Window

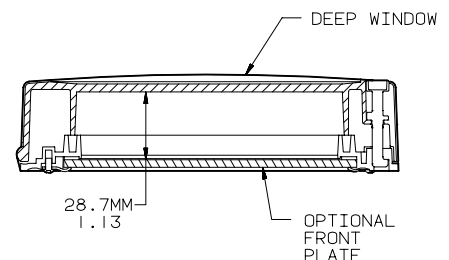
Clear molded polycarbonate window has a 31.8 mm (1.25 in.) clear space between enclosure front opening and window surface. Space also accommodates equipment mounted on optional front plate. Window kit is hinged on left side, has a 140-degree door opening, and a quarter-turn slotted latch. Mounting hardware for window and optional front plate is included. Die-cast zinc backing plate is painted with a black polyester powder finish. This kit can be used as an accessory window kit on other Hoffman enclosures.



Catalog Number	A	B	C	Window Size M x N	Accepts Front Plate*
LWHD1616	166 (6.54)	160 (6.30)	41 (1.64)	139 x 112 (5.47 x 4.43)	LFP1616
LWHD2525	250 (9.84)	250 (9.84)	41 (1.64)	223 x 202 (8.78 x 7.97)	LFP2525

Inch dimensions in ().

*Order separately.

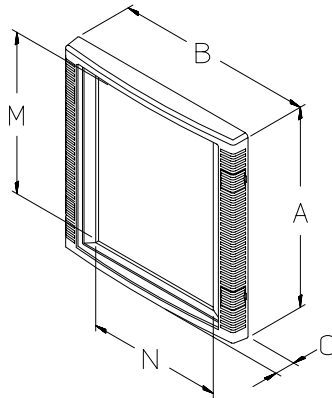


11C59209



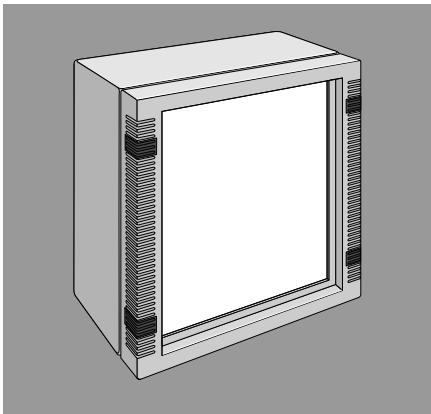
Fixed Operator Interface Bezel

Aesthetic die-cast zinc bezel frame accepts front plate or plates with operator interface cutout. Gasket and mounting hardware are included. Furnished frame caps conceal mounting screws. Bezel has RAL 7035 light gray textured polyester powder paint.



Catalog Number	A	B	C	Window Size M x N	Accepts Front Plate*
LBF1616	166 (6.54)	160 (6.30)	17 (0.67)	136 x 109 (5.35 x 4.30)	LFP1616
LBF2525	250 (9.84)	250 (9.84)	17 (0.67)	220 x 200 (8.65 x 7.84)	LFP2525

Inch dimensions in ().
*Order separately.



Front Plate

Aluminum plate is .125 inch thick. Front plate mounts to inside of bezel or deep-hinged window. Order blank or pre-cut for operator interface. (Gasket and mounting hardware are included with bezel.)

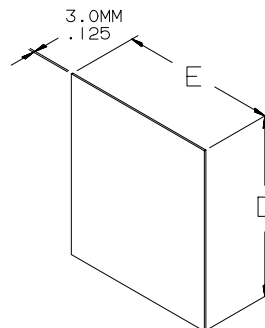
NOTE: Hoffman can provide pre-configured front plates to meet your specific requirements. Contact your local Hoffman Sales Representative for more information.

Blank Front Plate Catalog Number	D	E	Fits Bezel*	Fits Deep Window*
LFP1616	149 (5.85)	122 (4.80)	LBF1616	LWHD1616
LFP2525	233 (9.16)	212 (8.34)	LBF2525	LWHD2525

Inch dimensions in ().
*Order separately.

Pre-Cut Front Plate Catalog Number	Manufacturer	Model	Approx. OI Weight (lb)	Plate D x E	Fits Enclosure
LCSK2525F1	Allen-Bradley	MicroView	1.0	233 x 212	250 x 250
LCSK2525F2	Allen-Bradley	DTAM Micro	1.0	233 x 212	250 x 250
LCSK2525F3	Allen-Bradley	DTAM Plus	2.1	233 x 212	250 x 250
LCSK2525F5	Nematron	IWS-30 / 40	1.5	233 x 212	250 x 250
LCSK2525F6	TCP	2000/2100 Series	2.0	233 x 212	250 x 250
LCSK2525F7	TCP	2200/2300 Series	2.0	233 x 212	250 x 250
LCSK2525F8	TCP	5400 Series	2.0	233 x 212	250 x 250*
LCSK2525F9	TCP	5600 Series	2.0	233 x 212	250 x 250*
LCSK2525F10	TCP	Quickpanel Jr.	1.5	233 x 212	250 x 250

*Fits rear access enclosure body style only.

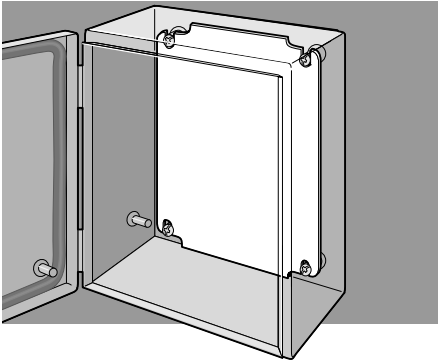


11C59640



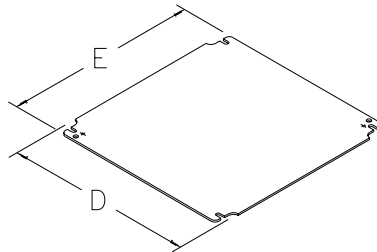
A Pentair Company

INLINE® Operator Interface Enclosures



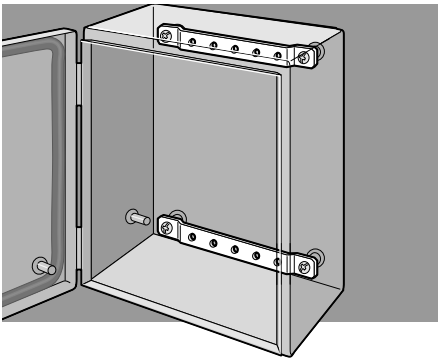
Panel

Panel is 12 gauge steel and fits solid back body enclosures only.



Catalog Number	D	E	Fits INLINE® OI Enclosure
LP1515	131 (5.16)	131 (5.16)	LLB161612
LP2520	231 (9.09)	181 (7.13)	LLB252512

Inch dimensions in ().



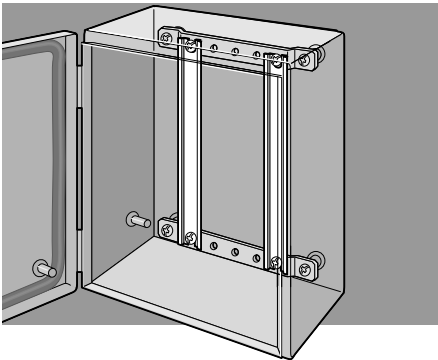
DIN Rail or Panel Mounting Brackets

Brackets provide a mounting framework for installing DIN rails or a panel. Rails (or panel) attach to the brackets, and the brackets are bolted directly to the enclosure. Brackets are offset to permit additional space in front of or behind mounted equipment. Brackets are zinc-plated 12 gauge steel.

Catalog Number	Fits INLINE® OI Enclosure
LMK15	LLB161612
LMK20	LLB252512 ^a
LMK25	LLB252512 ^b

^a Fits horizontally (see drawing below).

^b Fits vertically (see drawing below).



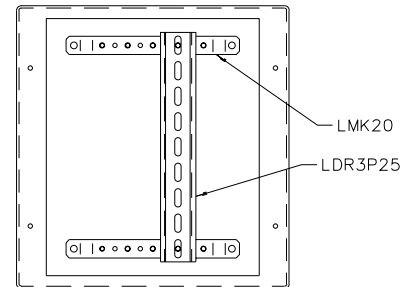
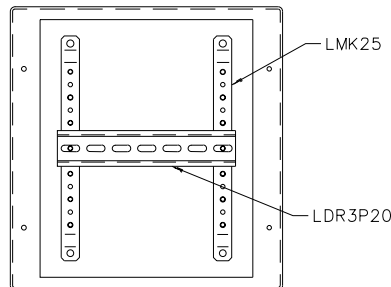
DIN Type Rails

Rails furnish mounting surfaces for DIN3 mount snap-on devices. Rails attach vertically or horizontally to mounting brackets. Kit includes 4 rails, mounting hardware, and installation instructions.

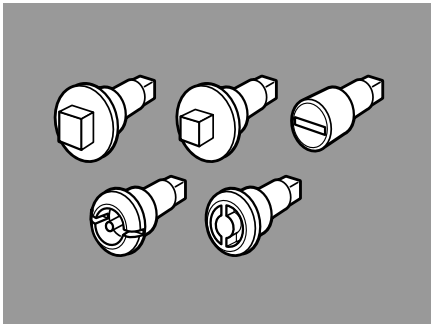
DIN3 Symmetric Profile TS32/7.5 Catalog Number	Fits INLINE® OI Enclosure
LDR3P15	LLB161612
LDR3P20	LLB252512 ^a
LDR3P25	LLB252512 ^b

^a Fits horizontally (see drawing below).

^b Fits vertically (see drawing below).



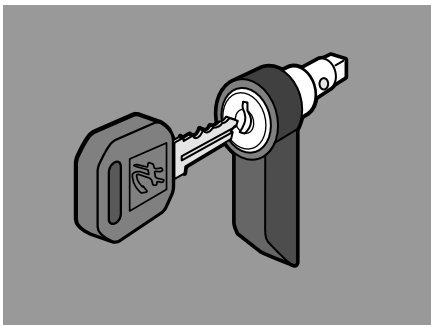
11C59210



Key Inserts

Key inserts can be substituted for the standard slotted quarter-turn latch on the rear access body door. Inserts have a chrome finish. See Chapter 12, General Accessories, for unique keys.

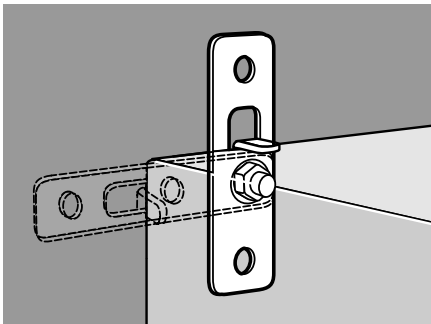
Catalog Number	Description
LLKSM7	Square 7mm
LLKSM8	Square 8mm
LLKDB	Daimler Benz
LLKDBM3	Double bit 3mm
LLKSS	Slotted



Wing Knob Latch

Latch can replace the standard slotted quarter-turn latch on the rear access body door. Latch is black. Two keys and installation instructions are furnished.

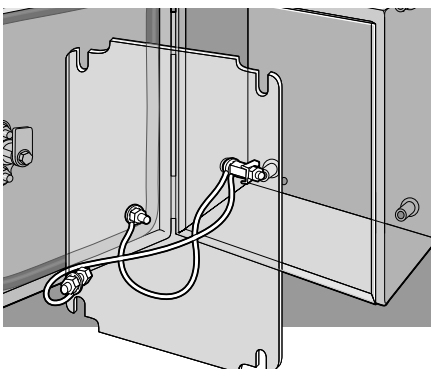
Catalog Number
LLKWK



Mounting Bracket Kit

Kit is field installable on all solid back body enclosures. Hardware included. Four brackets per kit.

Catalog Number	Description	Fits Enclosure
LMFK	Steel zinc-plated	LLB161612 and LLB252512



Grounding Kit

Kit provides a means of attaching a grounding conductor to the enclosure. Kit consists of two copper wires with a ring terminal at each end. Wires are insulated. All installation hardware and instructions are included.

Catalog Number
LLGK



CC2000 Operator Interface Enclosure System

This stylish operator interface enclosure family continues the trend of visual appeal combined with functionality and ease of use. Extruded aluminum top and sides provide a quality look, and hinged body models provide extra depth and allow rear access. Front plates are available to fit a wide variety of OI devices.



Application

These highly aesthetically appealing operator interface enclosures provide the ideal solution for applications requiring an attractive appearance. Enclosures are designed to be used with flat screen OI devices, lights, meters, gauges, and other similar equipment. They are available with or without provision for keyboard compartments.

All body sizes and styles are available for pendant mounting. Hinged and solid bodies are available in the sizes shown below. Rear aluminum door is standard.

These enclosures are used with the Hoffman COMPACT® Series 4 System 50, 60, 80, or CS600 pendant arms.

Construction

- Extruded Type 6063 aluminum top and sides provide a quality appearance and internal flexibility
- Body is available hinged or solid
- Rear doors can be hinged on either the right or left side
- Integral mounting system has extended screw channels to facilitate easy component installation
- Each size is designed to accommodate a range of flat screen operator interface devices
- Oil resistant gasket attached with oil resistant adhesive
- High thermal conductivity for superior heat dissipation

Finish

Enclosure vertical components are clear anodized aluminum; horizontal components are aluminum painted RAL 7043 gray aluminum.

Aluminum front plates and rear doors have a clear anodized brushed finish.

Industry Standards

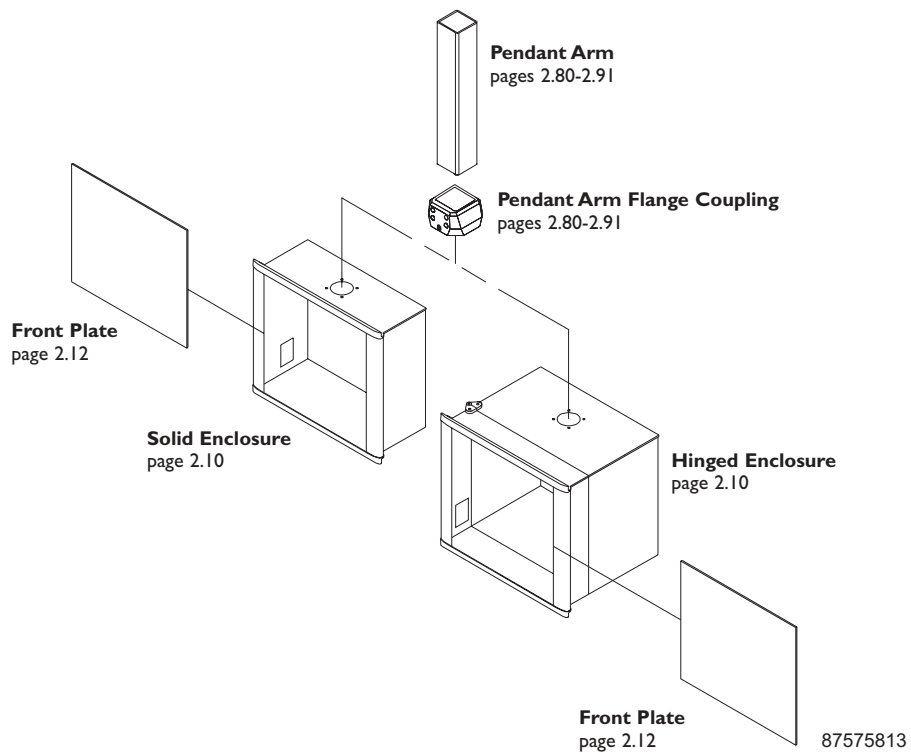
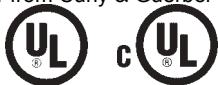
- UL 508A, 508, File No. E61997: Type 12
- cUL CSA C22.2 No. 94, File No. E61997: Type 12
- NEMA/EEMAC Type 12
- IEC 60529, IP55
- DIN 40050



Standard Sizes CC2000 Operator Interface Enclosure System

Catalog Number	Body Style	Enclosure Size A x B x C		Usable Area D x E		F	
		mm	(in.)	mm	(in.)	mm	(in.)
CC376129	Solid	375 x 615 x 290	(14.76 x 24.21 x 11.42)	300 x 540	(11.81 x 21.26)		
CC466129	Solid	465 x 615 x 290	(18.46 x 24.21 x 11.42)	390 x 540	(15.35 x 21.26)		
CC466141	Solid	465 x 615 x 418	(18.46 x 24.21 x 16.46)	390 x 540	(15.35 x 21.26)		
CC466151	Solid	465 x 615 x 518	(18.46 x 24.21 x 21.57)	390 x 540	(15.35 x 21.26)		
CC616129	Solid	615 x 615 x 290	(24.21 x 24.21 x 11.42)	540 x 540	(21.26 x 21.26)		
CC616141	Solid	615 x 615 x 418	(24.21 x 24.21 x 16.46)	540 x 540	(21.26 x 21.26)		
CC616151	Solid	615 x 615 x 518	(24.21 x 24.21 x 21.57)	540 x 540	(21.26 x 21.26)		
CC376518	Hinged	375 x 465 x 180	(14.76 x 18.46 x 7.09)	300 x 390	(11.81 x 15.35)	127	(5.00)
CC464618	Hinged	465 x 465 x 180	(18.46 x 18.46 x 7.09)	390 x 390	(15.35 x 15.35)	127	(5.00)

Inch dimensions in ().





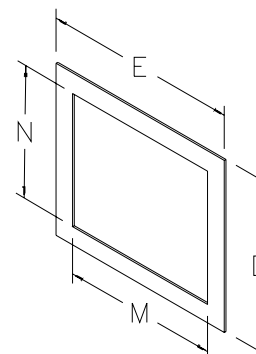
A Pentair Company

CC2000 Operator Interface Enclosures System

Front Plate

Front plates are available in 14 gauge aluminum with clear anodized brushed finish.

NOTE: Hoffman can provide pre-configured front plates to meet your specific requirements. Contact your local Hoffman Sales Representative for more information.



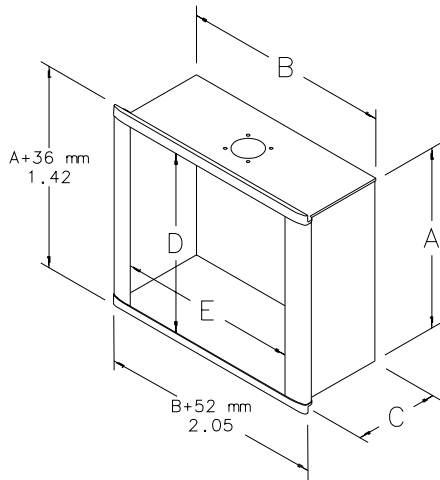
Standard Sizes Anodized Aluminum Front Plate

Catalog Number	Panel Size D x E		Usable Area M x N		Fits Enclosure	
	mm	(in.)	mm	(in.)	mm	(in.)
C2FP3155	314 x 554	(12.36 x 21.81)	300 x 540	(11.81 x 21.26)	375 x 615 x 290	(14.76 x 24.21 x 11.42)
C2FP4055	404 x 554	(15.90 x 21.81)	390 x 540	(15.35 x 21.26)	465 x 615 x 518/418/290	(14.76 x 24.21 x 20.39/16.46/11.42)
C2FP5555	554 x 554	(21.81 x 21.81)	540 x 540	(21.26 x 21.26)	615 x 615 x 518/418/290	(18.31 x 24.21 x 20.39/16.46/11.42)
C2FP3140	314 x 404	(12.36 x 15.90)	300 x 390	(11.81 x 15.35)	375 x 465 x 180	(14.76 x 18.31 x 7.09)
C2FP4040	404 x 404	(15.90 x 15.90)	390 x 390	(15.35 x 15.35)	465 x 465 x 180	(18.31 x 18.31 x 7.09)

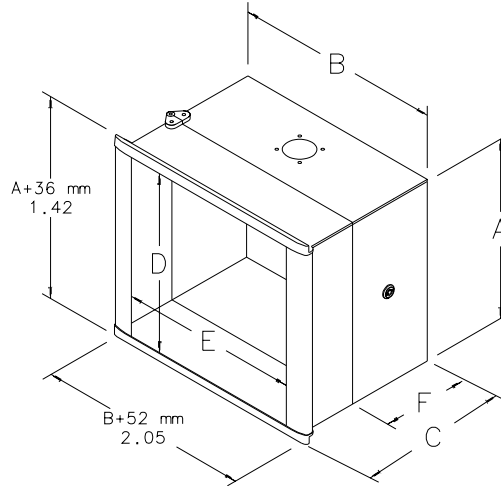
Inch dimensions in ().



Solid Enclosure

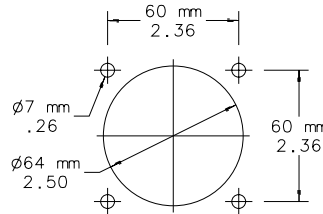
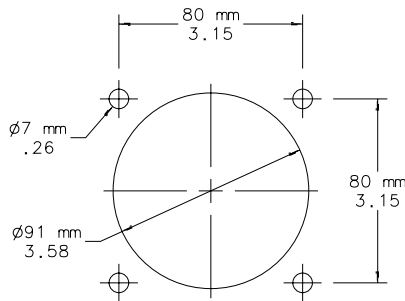


Hinged Enclosure



87575690

Pendant Cutout



Flange Coupling Cutout Size and Weight of Enclosure

Catalog Number	Fits System	Cutout Size*	Weight (lbs.)
CC376129	50/60/CS600	60	32
CC376518	50/60/CS600	60	22
CC464618	50/60/CS600	60	24
CC466129	50/60/CS600	60	35
CC466141	50/60/CS600	60	51
CC466151	50/60/CS600	60	63
CC616129	50/60/CS600	60	39
CC616141	80	80	58
CC616151	80	80	72

* Cutout is for flange couplings only. Other components can be used if they have the same hole size.



A Pentair Company

CC4000 Operator Interface Enclosure System

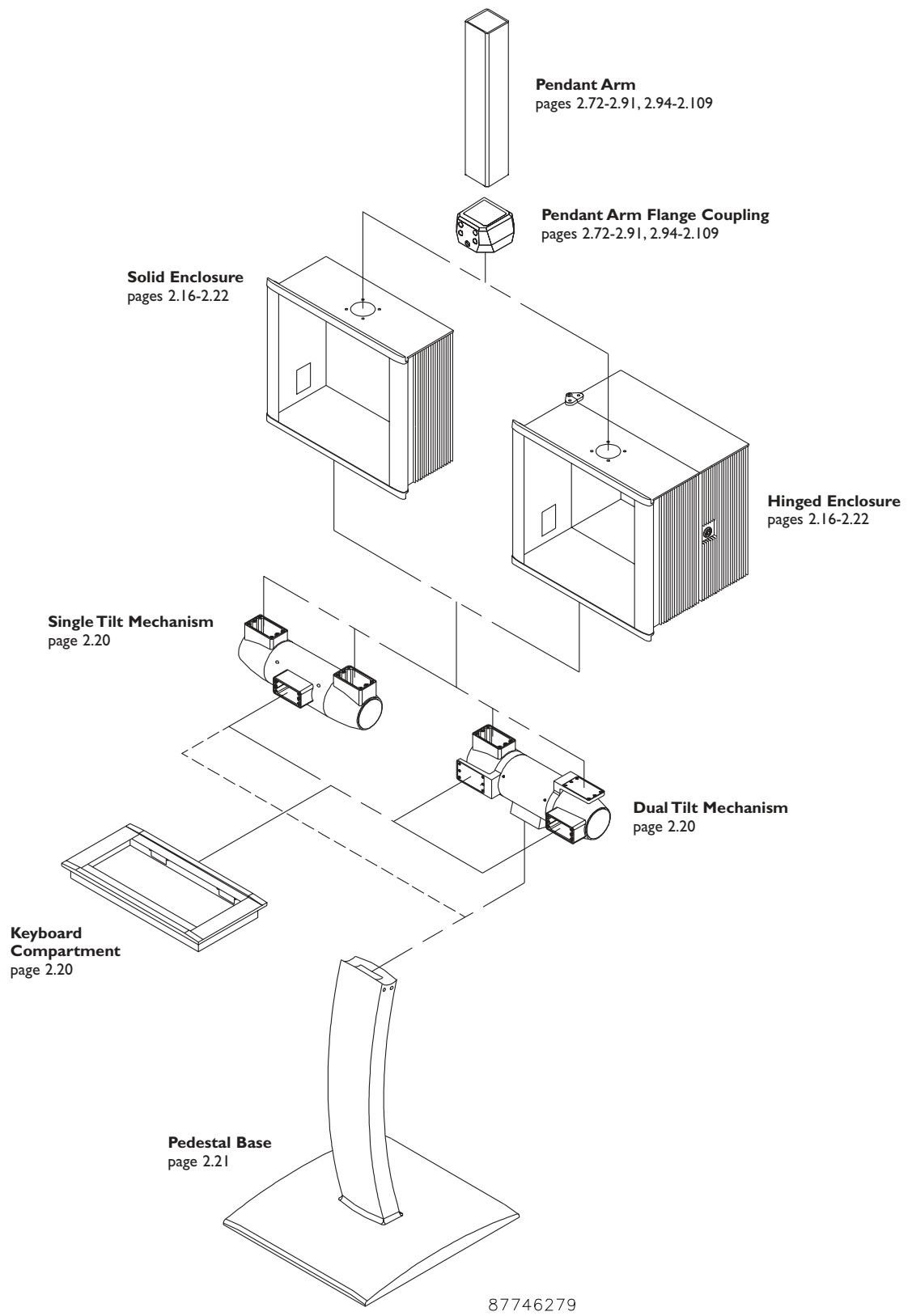


This attractive family of operator interface enclosures sets a new standard for visual appeal coupled with design flexibility and ease of use. It's available in two body styles, three configurations, and eight sizes. The system's capability for pendant or pedestal mount, with or without provision for a keyboard, offers exceptional design flexibility. Extruded aluminum top and sides provide a quality look while offering superior heat dissipation. Hinged body models provide extra depth and allow rear access.

The single and dual tilt mechanisms give the operator control over adjustment and ergonomic positioning of the enclosure and/or keyboard, depending on configuration. The tilt mechanisms are the only additional components required for mounting the enclosure on a pedestal and for adding a keyboard compartment with either pedestal or pendant mount.

Pre-cut front plates are available to fit a wide variety of OI panels.







A Pentair Company

CC4000 Operator Interface Enclosures



Application

These highly aesthetically appealing operator interface enclosures provide the ideal solution for applications requiring an attractive appearance. Enclosures are designed to be used with flat screen OI devices, lights, meters, gauges, and other similar equipment. They are available with or without provision for keyboard compartments.

These enclosures are used with the unique curved CC4000 pedestal or with the Hoffman COMPACT® Series 2, COMPACT® Series 4 System 50 or 60, and CS600 pendant arms.

Construction

- Extruded Type 6063 aluminum top and sides provide a quality appearance and internal flexibility
- Body is available hinged or solid
- Optional rear doors can be hinged on either the right or left side
- Integral mounting system has extended screw channels to facilitate easy component installation
- Each size is designed to accommodate a range of flat screen operator interface devices
- Oil resistant gasket attached with oil resistant adhesive
- High thermal conductivity for superior heat dissipation

Finish

Enclosure vertical components are clear anodized aluminum; horizontal components are aluminum painted RAL 7021 black aluminum.

Steel front plates are RAL 7035 gray polyester powder paint. Stainless steel front plates have a brushed finish.

Aluminum rear covers have a clear anodized brushed finish.

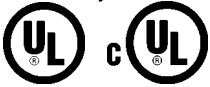
Industry Standards

UL 508A, 508, File No. E61997:
Type 12
cUL CSA C22.2 No. 94, File No.
E61997: Type 12
NEMA/EEMAC Type 12
IEC 60529, IP55
DIN 40050

Accessories

Keyboard Compartment
Tilt Mechanism
Pedestal
Rear Hinged Cover
Lift-off Hinges for Hinged Body Versions





CC4000 Enclosures

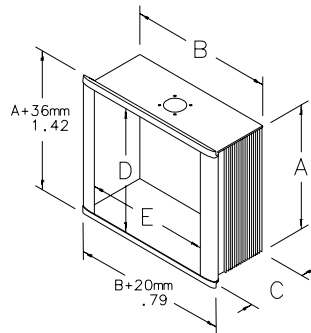
All body sizes and styles are available for pendant or pedestal mounting with or without a keyboard. Hinged and solid bodies are available in the sizes shown below. Hinged bodies offer extra depth and rear access. Rear aluminum screw cover is standard.

Pendant Mount Enclosures

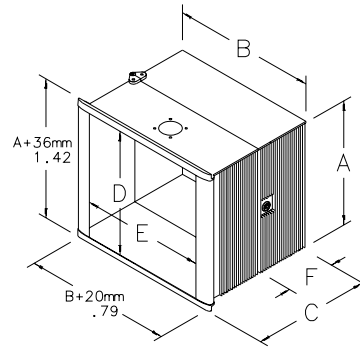
Use in pendant mounting applications where keyboard compartment is not required.

- Cutout in top for mounting with COMPACT® Series 2, COMPACT® Series 4 system 50 or 60, and CS600 pendant arms.

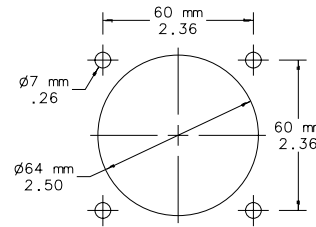
Solid Enclosure



Hinged Enclosure



Pendant Cutout



87746297

Pendant Mount Catalog Number	Body Style	Enclosure Size A x B x C	Usable Area D x E	F
CCC284014PN	Solid	280 x 400 x 140 (11.02 x 15.75 x 5.51)	185 x 275 (7.28 x 10.83)	—
CCC284020PN	Solid	280 x 400 x 200 (11.02 x 15.75 x 7.87)	185 x 275 (7.28 x 10.83)	—
CCC334014PN	Solid	330 x 400 x 140 (12.99 x 15.75 x 5.51)	235 x 275 (9.25 x 10.83)	—
CCC334020PN	Solid	330 x 400 x 200 (12.99 x 15.75 x 7.87)	235 x 275 (9.25 x 10.83)	—
CCC425320PN	Solid	425 x 530 x 200 (16.73 X 20.87 X 7.87)	330 x 405 (12.99 x 15.94)	—
CCC456029PN	Solid	450 x 600 x 290 (17.72 x 23.62 x 11.41)	355 x 475 (13.98 x 18.70)	—
CCC334026HPN	Hinged	330 x 400 x 268 (12.99 x 15.75 x 10.55)	235 x 275 (9.25 x 10.83)	128 (5.04)
CCC425326HPN	Hinged	425 x 530 x 268 (16.75 x 20.87 x 10.55)	330 x 405 (12.99 x 15.94)	128 (5.04)

Inch dimensions in ().

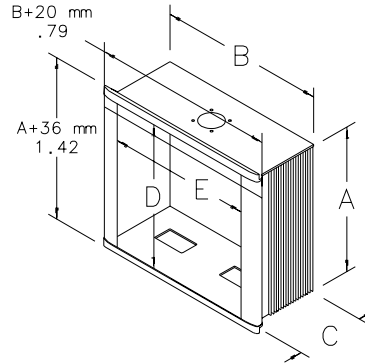


CC4000 Operator Interface Enclosures Enclosures, Front Plates

Pendant Mount Enclosures with Keyboard Compartment Capability

Use in pendant mounting applications where a keyboard compartment is required.

- Cutout in top for mounting with COMPACT® Series 2, COMPACT® Series 4 system 50 or 60, and CS600 pendant arms.
- Cutout on bottom for keyboard tilt mechanism
- Order tilt mechanism and keyboard compartment separately



Pendant Mount Catalog Number	Body Style	Enclosure Size A x B x C	Usable Area D x E	F	Tilt Mechanism
CCC284014PNK	Solid	280 x 400 x 140 (11.02 x 15.75 x 5.51)	185 x 275 (7.28 x 10.83)	—	CTKBC
CCC284020PNK	Solid	280 x 400 x 200 (11.02 x 15.75 x 7.87)	185 x 275 (7.28 x 10.83)	—	CTKBC
CCC334014PNK	Solid	330 x 400 x 140 (12.99 x 15.75 x 5.51)	235 x 275 (9.25 x 10.83)	—	CTKBC
CCC334020PNK	Solid	330 x 400 x 200 (12.99 x 15.75 x 7.87)	235 x 275 (9.25 x 10.83)	—	CTKBC
CCC425320PNK	Solid	425 x 530 x 200 (16.73 X 20.87 X 7.87)	330 x 405 (12.99 x 15.94)	—	CTKBC
CCC456029PNK	Solid	450 x 600 x 290 (17.72 x 23.62 x 11.41)	355 x 475 (13.98 x 18.70)	—	CTKBC
CCC334026HPNK	Hinged	330 x 400 x 268 (12.99 x 15.75 x 10.55)	235 x 275 (9.25 x 10.83)	128 (5.04)	CTKBC
CCC425326HPNK	Hinged	425 x 530 x 268 (16.75 x 20.87 x 10.55)	330 x 405 (12.99 x 15.94)	128 (5.04)	CTKBC

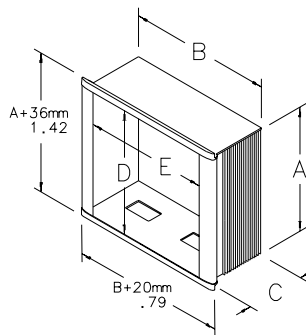
Inch dimensions in ().

Pedestal Mount Enclosure

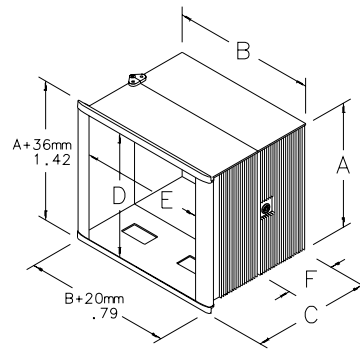
Use in pedestal mounting applications with the CPCC4 pedestal, either with or without a keyboard.

- Tilt mechanism required for connecting enclosure and pedestal
- Cutout on bottom for tilt mechanism mounting
- Order tilt mechanism and keyboard compartment (if needed) separately

Solid Enclosure



Hinged Enclosure



87747549

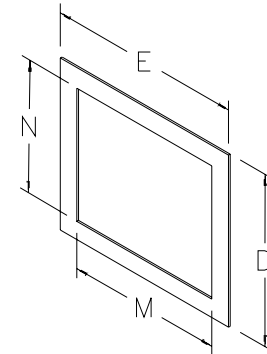
Pedestal Mount Catalog Number	Body Style	Enclosure Size A x B x C	D x E	F	Tilt Mechanism Without Keyboard	With Keyboard
CCC284014PD	Solid	280 x 400 x 140 (11.02 x 15.75 x 5.51)	185 x 275 (7.28 x 10.83)	—	CTKBC	CTKBPC
CCC284020PD	Solid	280 x 400 x 200 (11.02 x 15.75 x 7.87)	185 x 275 (7.28 x 10.83)	—	CTKBC	CTKBPC
CCC334014PD	Solid	330 x 400 x 140 (12.99 x 15.75 x 5.51)	235 x 275 (9.25 x 10.83)	—	CTKBC	CTKBPC
CCC334020PD	Solid	330 x 400 x 200 (12.99 x 15.75 x 7.87)	235 x 275 (9.25 x 10.83)	—	CTKBC	CTKBPC
CCC425320PD	Solid	425 x 530 x 200 (16.73 X 20.87 X 7.87)	330 x 405 (12.99 x 15.94)	—	CTKBC	CTKBPC
CCC456029PD	Solid	450 x 600 x 290 (17.72 x 23.62 x 11.41)	355 x 475 (13.98 x 18.70)	—	CTKBC	CTKBPC
CCC334026HPD	Hinged	330 x 400 x 268 (12.99 x 15.75 x 10.55)	235 x 275 (9.25 x 10.83)	128 (5.04)	CTKBC	CTKBPC
CCC425326HPD	Hinged	425 x 530 x 268 (16.73 x 20.87 x 10.55)	330 x 405 (12.99 x 15.94)	128 (5.04)	CTKBC	CTKBPC

Inch dimensions in ().

Front Plate

Front plates are available in 14 gauge steel or Type 304 stainless steel. Models can be ordered blank or precut for specific operator interface devices. Steel panels are finished with RAL 7035 light gray polyester powder paint. Stainless steel panels have a brushed finish.

NOTE: Hoffman can provide pre-configured front plates to meet your specific requirements. Contact your local Hoffman Sales Representative for more information.



87746301

Steel Front Plate Catalog Number	Stainless Steel Front Plate Catalog Number	Panel Size D x E	Usable Area M x N	Fits Enclosure
C4FP2840	C4FP2840SS	219 x 309 (8.62 x 12.17)	185 x 275 (7.28 x 10.83)	280 x 400 x 140/200 (11.02 x 15.75 x 5.51/7.87)
C4FP3340	C4FP3340SS	269 x 309 (10.59 x 12.17)	235 x 275 (9.25 x 10.83)	330 x 400 x 140/200/268 (12.99 x 15.75 x 5.51/7.87/10.55)
C4FP4253	C4FP4253SS	364 x 439 (14.33 x 17.28)	330 x 405 (12.99 x 15.94)	425 x 530 x 200 (16.73 x 20.87 x 7.87))
C4FP4560	C4FP4560SS	389 x 509 (15.31 x 20.04)	355 x 475 (13.98 x 18.70)	450 x 600 x 290 (17.72 x 23.62 x 11.42)

Inch dimensions in ().

Steel Pre-Cut Front Plate Catalog Number	Stainless Steel Pre-Cut Front Plate Catalog Number	Manufacturer	Model	Panel D x E	Fits Enclosure
C4CSK2840F1	C4CSK2840F1SS	Allen-Bradley	PanelView 600	219 x 309 (8.62 x 12.17)	280 x 400 x 140/200 (11.02 x 15.75 x 5.51/7.87)
C4CSK2840F2	C4CSK2840F2SS	Allen-Bradley	PanelView 550		
C4CSK2840F3	C4CSK2840F3SS	Allen-Bradley	PanelView 550/600TS		
C4CSK2840F4	C4CSK2840F4SS	TCP	Quickpanel Jr.		
C4CSK3340F1	C4CSK3340F1SS	Cutler-Hammer IDT	PanelMate 1500	269 x 309 (10.59 x 12.17)	330 x 400 x 140/200/268 (12.99 x 15.75 x 5.51/7.87/10.55)
C4CSK3340F2	C4CSK3340F2SS	TCP	Quickpanel Mono EL		
C4CSK3340F3	C4CSK3340F3SS	Allen-Bradley	PanelView 600KP		
C4CSK3340F4	C4CSK3340F4SS	Allen-Bradley	PanelView 550KP		
C4CSK3340F5	C4CSK3340F5SS	Allen-Bradley	PanelView 550/600TS		
C4CSK4253F1	C4CSK4253F1SS	Cutler-Hammer IDT	PanelMate 3000 TP	364 x 439 (14.33 x 17.28)	425 x 530 x 200/268 (16.73 x 20.87 x 7.87/10.55)
C4CSK4253F2	C4CSK4253F2SS	Cutler-Hammer IDT	PanelMate 3000 TS		
C4CSK4253F3	C4CSK4253F3SS	TCP	Quickpanel Color STN/TFT		
C4CSK4253F4	C4CSK4253F4SS	Ann Arbor	INX		
C4CSK4253F5	C4CSK4253F5SS	Allen-Bradley	PanelView 900TS		
C4CSK4253F6	C4CSK4253F6SS	Allen-Bradley	PanelView 900KP		
C4CSK4253F7	C4CSK4253F7SS	Allen-Bradley	PanelView 1000TS		
C4CSK4253F8	C4CSK4253F8SS	Allen-Bradley	PanelView 1000KP		
C4CSK4560F1	C4CSK4560F1SS	Allen-Bradley	AB6180 (15.31 x 20.04)	389 x 509 (15.31 x 20.04)	450 x 600 x 290 (17.72 x 23.62 x 11.42)

Inch dimensions in ().



A Pentair Company

CC4000 Operator Interface Enclosures Accessories

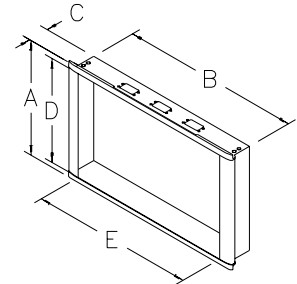


Keyboard Compartment

Keyboard compartment has same construction and finish as enclosure bodies. Fits pendant mount bodies when used with the CTKBC single tilt; fits pedestal mount bodies when used with the CTKBCP dual tilt mechanism.

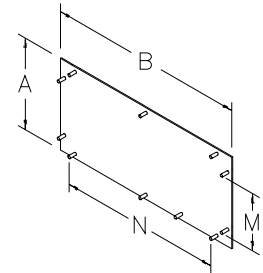
Catalog Number	Size A x B x C	Opening Size D x E
CKBC26535	300 x 500 x 52 (11.81 x 19.68 x 2.05)	190 x 427 (7.48 x 16.81)
CKBC26605	300 x 570 x 52 (11.81 x 22.44 x 2.05)	190 x 495 (7.48 x 19.49)

Inch dimensions in ().



Keyboard Front Plate

Plate is 4 gauge steel finished with RAL 7035 light gray textured polyester powder paint or Type 304 stainless steel with a brushed finish. Available blank or with TIP NEMA 4 Keyboard. Includes mounting hardware.



Blank Steel Catalog Number	Blank Stainless Steel Catalog Number	With Keyboard Steel Catalog Number	With Keyboard Stainless Steel Catalog Number	Size A x B	Usable Area M x N	Fits Keyboard Compartment
C4KBFP2653	C4KBFP2653SS	C4KBKP2653	C4KBKP2653SS	203 x 439 (7.99 x 17.28)	169 x 405 (6.65 x 15.94)	264 x 530
C4KBFP2660	C4KBFP2660SS	C4KBKP2660	C4KBKP2660SS	203 x 509 (7.99 x 20.04)	169 x 475 (6.65 x 18.70)	264 x 600

Inch dimensions in ().

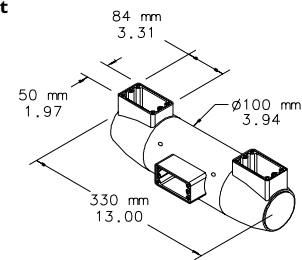


Tilt Mechanism

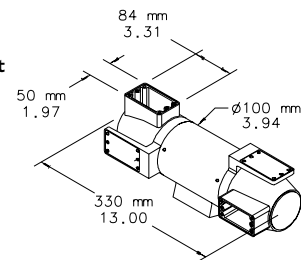
Allows operator to adjust enclosure and keyboard for maximum convenience and comfort. Cast aluminum construction. Finish is RAL 7035 light gray polyester powder paint.

- Single tilt connects enclosure with keyboard in pendant mount applications or enclosure with pedestal in floor mount applications.
 - Allows enclosure to tilt back 20° max. when pedestal mounted.
 - Allows keyboard to adjust from horizontal to 45° down when pendant mounted.
- Dual tilt connects pedestal, enclosure, and keyboard.
 - Allows enclosure to tilt back 20° max. and
 - Allows keyboard to adjust infinitely between enclosure and pedestal.

Single Tilt



Dual Tilt



87746303



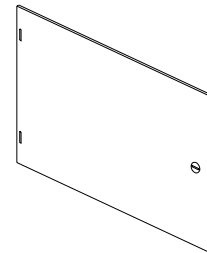
Catalog Number	Type	Use With
CTKBC	Single	Pendant mount with keyboard, Pedestal mount without keyboard
CTKBCP	Dual	Pedestal mount with keyboard



Hinged Rear Cover

Covers can be mounted with hinge on left or right side of enclosure. One or two quarter-turn latches, depending on size. Made of 3 mm thick aluminum with a clear anodized brushed finish. Includes mounting hardware and grounding kit.

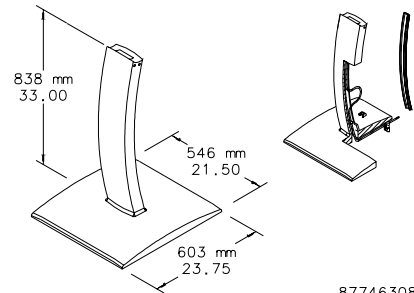
Catalog Number	Number of Latches	Fits Enclosure
CCH2840	One	280 x 400
CCH3340	One	330 x 400
CCH4253	Two	425 x 530
CCH4560	Two	450 x 600



Pedestal

Pedestal can be bolted to the floor or mounted on accessory swivel casters. Center channel is 2 x 3 in. with rear access strip for routing wires. Requires single or dual tilt for enclosure mounting. Finished with RAL 7035 light gray polyester powder paint.

Catalog Number	Description
CPCC4	Steel encased in structural foam



87746308



Lift-off Hinge Kit

Use when quick removal of the rear section of a hinged enclosure is desired. Contains one set of hinges to convert the hinges on the enclosure to a lift-off configuration.

Catalog Number	Description
CHLOCC4	Lift-off Hinge Kit



Swivel Casters for Pedestal Base

Castors mount to the bottom of the CPCC4 pedestal. Kit includes four casters and mounting hardware.

Catalog Number	Description	Installed Height mm inches	Wheel Diameter mm inches	Load Rating Per Set Kg Lbs
CPCC4SC	Four swivel casters	100 (3.9)	75 (3.0)	180 400

Inch dimensions in ().



Levelers for Pedestal Base

Levelers mount to the bottom of the CPCC4 pedestal where leveling is required. Kit contains four levelers and mounting hardware. Cannot be used with casters or in bolt-down installations.

Catalog Number	Description
CPCC4L	Four levelers for pedestal base



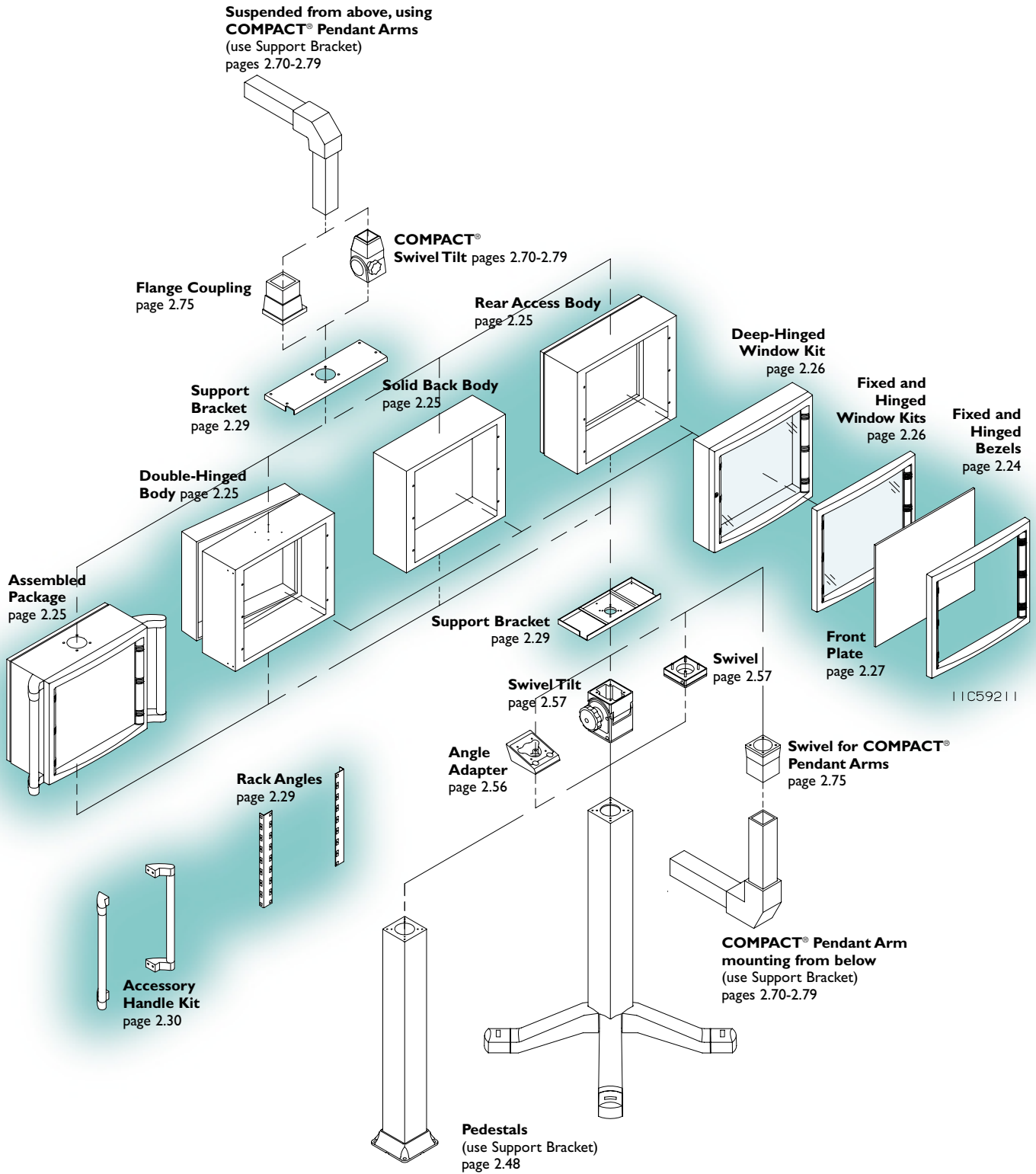
A Pentair Company

CONCEPT® Operator Interface Enclosures



The variety of sizes, styles, and standard part components available in our CONCEPT® Operator Interface enclosure series makes it possible for you to create your own flat screen OI design solutions. Four sizes are available in each of three body styles: solid back, rear access, or double-hinged. Fixed or hinged front bezels, fixed or hinged window kits, and deep-hinged window kits are also available for any CONCEPT® Operator Interface enclosure size or style. Optional accessories include handle kits and rack and panel mounting accessories.

Operators can position CONCEPT® Operator Interface enclosures for convenience and comfort with pendant arms or pedestal systems. Our swivel tilt mechanism can be used with pedestals or our Series 2 pendant mounting system to provide 350-degree rotation and 30-degree tilt from horizontal.





A Pentair Company

CONCEPT® Operator Interface Enclosures



Application

These operator interface enclosures are particularly appropriate for applications incorporating flat screen OI devices, pushbuttons, lights, meters, gauges, and other similar devices. CONCEPT® OI enclosures can be configured to accommodate either subpanel or rack angle internal component mounting. Enclosures are manufactured to be pendant, pedestal, or wall-mounted.

Finish

Two standard finishes are available: ANSI 61 gray polyester powder coating inside and out, or RAL 7035 textured light gray polyester powder paint inside and out.

Industry Standards

CONCEPT® bodies, fixed OI bezel, handles, support brackets, and fixed window

UL 508A, 508, File Number E61997: Type 4 and Type 12
NEMA Type 4 and Type 12
CSA File Number LR42186: Type 4 and Type 12
IEC 60529, IP66

CONCEPT® hinged fronts (bezel and window) and deep hinged window

UL 508A, 508, File Number E61997: Type 12
NEMA Type 12
CSA File Number LR42186: Type 12
IEC 60529, IP55

Accessories

See Chapter 12, General Accessories.

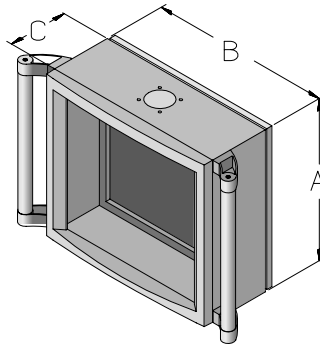
Corrosion Inhibitors
Data Pocket
Electric Heaters
Fan Cooling Products
Panels
Rack Angles
Touch-Up Paint (ATTPY61 for ANSI 61 and ATP7035 for RAL 7035)

Patents:
Bezel 393,636 (U.S.)
Hinge System 5,666,695 (U.S.)



Assembled Package

The assembled package has a 14 gauge body with pre-drilled hole in top for Series 2 or Series 4 50/60 pendant mounting (top support bracket included, except top support bracket not required for catalog number CCP313613). Rear access. Hinged rear door has a single-point slotted latch and foam-in-place gasket. One-piece aluminum die-cast fixed front bezel. Aluminum handles have a soft coated grip area. Order aluminum front plate separately.



Assembled Package		
Catalog Number	Catalog Number	Enclosure Size
ANSI 61 Gray	RAL 7035 Lt. Gray	A x B x C
† CCP313613	CCP313613LG	310 x 360 x 130 (12.20 x 14.17 x 5.12)
CCP404515	CCP404515LG	400 x 450 x 150 (15.75 x 17.72 x 5.91)
CCP555715	CCP555715LG	550 x 570 x 150 (21.65 x 22.44 x 5.91)
CCP555730	CCP555730LG	550 x 570 x 300 (21.65 x 22.44 x 11.81)

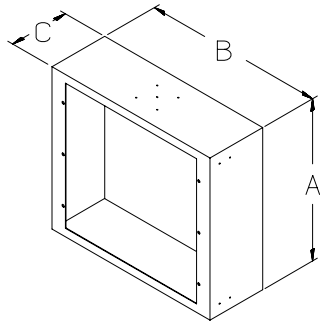
Inch dimensions in ().

† Suitable for Series 1 pendant mounting.

Select an assembled package, or configure an enclosure for its application by choosing from a number of unique options starting with a solid back, rear access, or double-hinged enclosure body. Also available are fixed or hinged front bezels with an aluminum plate for component mounting. Fixed or hinged window options permit inspection of interior (see following pages).

Solid Back Body

Body is 16 gauge with open front. Front is configured to install optional hinged or fixed bezels. Drill points on enclosure mark location for pendant or pedestal mounting, as well as optional handle installation. Panels mount on studs in rear of enclosure. Finish is ANSI 61 gray or RAL 7035 light gray polyester powder paint. Drill points on enclosure back allow wall mounting.



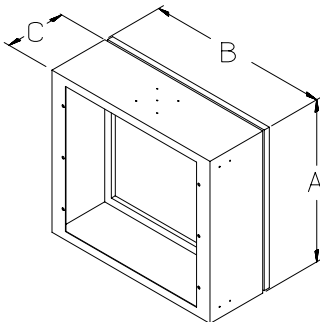
Solid Back Body		
Catalog Number	Catalog Number	Enclosure Size
ANSI 61 Gray	RAL 7035 Lt. Gray	A x B x C
† CCB313613	CCB313613LG	310 x 360 x 130 (12.20 x 14.17 x 5.12)
CCB404515	CCB404515LG	400 x 450 x 150 (15.75 x 17.72 x 5.91)
CCB555715	CCB555715LG	550 x 570 x 150 (21.65 x 22.44 x 5.91)
CCB555730	CCB555730LG	550 x 570 x 300 (21.65 x 22.44 x 11.81)

Inch dimensions in ().

† Suitable for Series 1 pendant mounting.

Rear Access Body

Body is 14 gauge enclosure with rear access door. Open front is configured to install optional hinged or fixed bezels. Door, furnished with foam-in-place gasket and single-point slotted latch, accepts most CONCEPT® door accessories. Drill points on enclosure mark location for pendant or pedestal mounting, as well as optional handle installation. Finish is ANSI 61 gray or RAL 7035 light gray polyester powder paint.



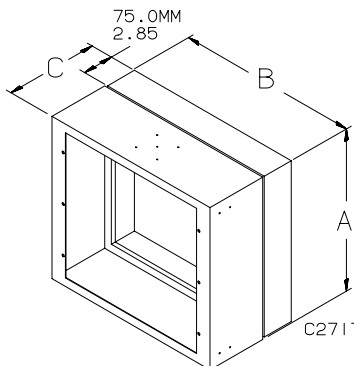
Rear Access Body		
Catalog Number	Catalog Number	Enclosure Size
ANSI 61 Gray	RAL 7035 Lt. Gray	A x B x C
† CCBR313613	CCBR313613LG	310 x 360 x 130 (12.20 x 14.17 x 5.12)
CCBR404515	CCBR404515LG	400 x 450 x 150 (15.75 x 17.72 x 5.91)
CCBR555715	CCBR555715LG	550 x 570 x 150 (21.65 x 22.44 x 5.91)
CCBR555730	CCBR555730LG	550 x 570 x 300 (21.65 x 22.44 x 11.81)

Inch dimensions in ().

† Suitable for Series 1 pendant mounting.

Double-Hinged Body

Double-hinged body has 14 gauge front body and 16 gauge rear body. Foam-in-place gasket between sections. Open front frame accepts hinged or fixed bezel. Flanged trough on center body perimeter deflects water from enclosure interior. Center body has side-mounted slotted latch to secure sections and drill points for installing handles. Drill points in top and bottom of section mark location for pendant or pedestal mounting. Panel mounting studs in rear body. Finish is ANSI 61 gray or RAL 7035 light gray polyester powder paint. Drill points on enclosure back allow wall mounting.



Double-Hinged Body		
Catalog Number	Catalog Number	Enclosure Size
ANSI 61 Gray	RAL 7035 Lt. Gray	A x B x C
CCBDH313621	CCBDH313621LG	310 x 360 x 205 (12.20 x 14.17 x 8.07)
CCBDH404523	CCBDH404523LG	400 x 450 x 225 (15.75 x 17.72 x 8.86)
CCBDH555723	CCBDH555723LG	550 x 570 x 225 (21.65 x 22.44 x 8.86)
CCBDH555738	CCBDH555738LG	550 x 570 x 375 (21.65 x 22.44 x 14.76)

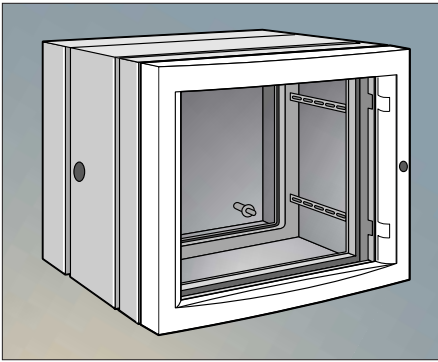
Inch dimensions in ().



A Pentair Company

CONCEPT® Operator Interface Enclosures

OI Bezels and Front Plates

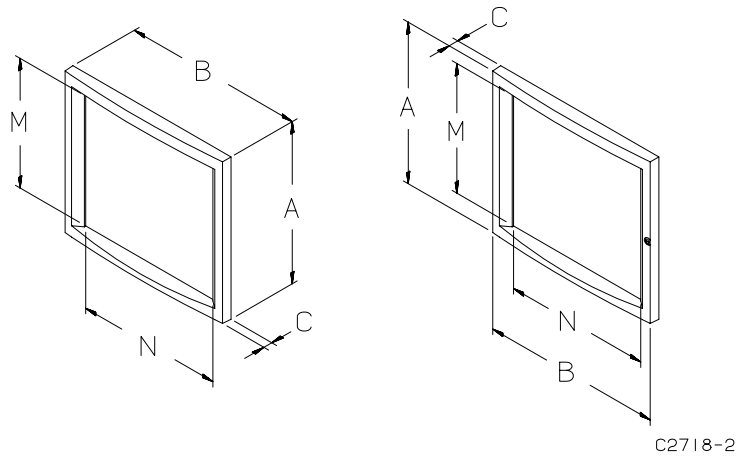


Catalog Number ANSI 61 Gray	Catalog Number RAL 7035 Lt. Gray	Description	Size A x B x C	Opening Size M x N	Fits Enclosure A x B
CBF3136	CBF3136LG	Fixed bezel	310 x 360 x 32 (12.20 x 14.17 x 1.26)	253 x 276 (9.96 x 10.86)	310 x 360
CBF4045	CBF4045LG	Fixed bezel	400 x 450 x 33 (15.75 x 17.72 x 1.30)	343 x 366 (13.50 x 14.40)	400 x 450
CBF5557	CBF5557LG	Fixed bezel	550 x 570 x 36 (21.65 x 22.44 x 1.42)	493 x 486 (19.40 x 19.13)	550 x 570
CBH3136	CBH3136LG	Hinged bezel	310 x 360 x 34 (12.20 x 14.17 x 1.34)	253 x 276 (9.96 x 10.86)	310 x 360
CBH4045	CBH4045LG	Hinged bezel	400 x 450 x 35 (15.75 x 17.72 x 1.38)	343 x 366 (13.50 x 14.40)	400 x 450
CBH5557	CBH5557LG	Hinged bezel	550 x 570 x 38 (21.65 x 22.44 x 1.50)	493 x 486 (19.40 x 19.13)	550 x 570

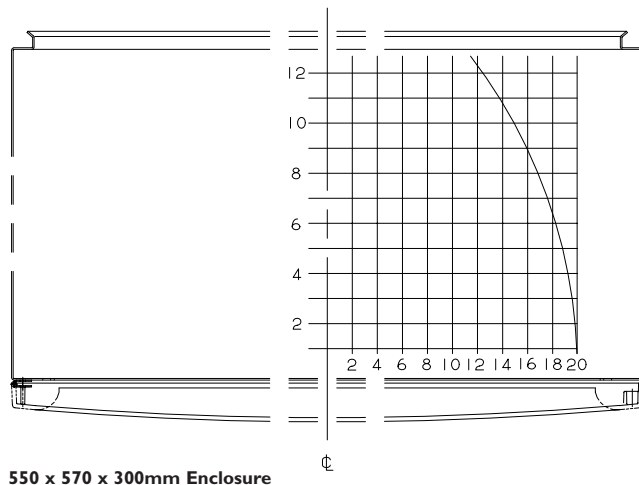
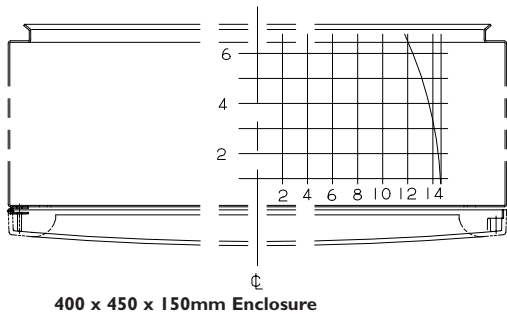
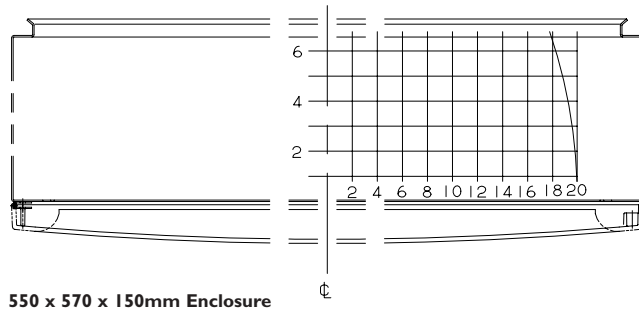
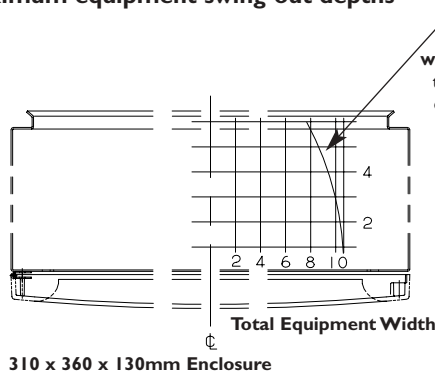
Inch dimensions in ().

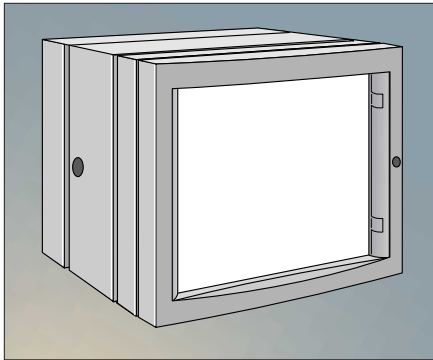
Operator Interface Bezels (Fixed and Hinged)

Aesthetic die-cast aluminum frames accept blank front plates or plates with operator interface cutout (order front plate separately). Hinged OI bezel has a single-point slotted latch (optional locking or non-locking wing knob latch is also available). Finish is ANSI 61 textured gray or RAL 7035 light gray textured polyester powder paint. See charts for swing-out depths.



Maximum equipment swing-out depths





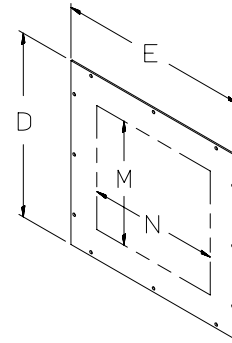
Blank Front Plate		Panel Size D x E	Usable Area M x N	Fits Enclosure A x B
Catalog Number	Description			
CFP3136	Blank plate	297 x 312 (11.71 x 12.30)	253 x 276 (9.96 x 10.86)	310 x 360
CFP4045	Blank plate	387 x 402 (15.25 x 15.84)	343 x 366 (13.50 x 14.40)	400 x 450
CFP5557	Blank plate	537 x 522 (21.15 x 20.57)	493 x 486 (19.40 x 19.13)	550 x 570

Inch dimensions in ().

Front Plate

Aluminum plate is .125 inch thick. Order blank or pre-cut for operator interface. Front plate mounts on inside of fixed or hinged bezel. (Gasket and mounting hardware included with the operator interface bezel.)

NOTE: Hoffman can provide pre-configured front plates to meet your specific requirements. Contact your local Hoffman Sales Representative for more information.



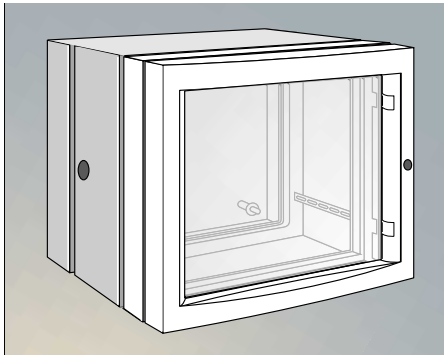
11C59196

Pre-Cut Front Plate Catalog Number	Manufacturer	Model	Approx. OI Weight (lbs.)	Plate D x E	Fits Enclosure A x B
CCSK3136F1	Allen-Bradley	PanelView 550	4.5	297 x 312 (11.70 x 12.30)	310 x 360
CCSK3136F7	Cutler-Hammer IDT	PanelMate 1000	4.0		
CCSK3136F8	Cutler-Hammer IDT	PanelMate 1500	4.0		
CCSK3136F7	Modicon	PanelMate Plus 1000	4.0		
CCSK3136F3	Nematron	IWS-110/120	7.0		
CCSK3136F6	TCP	Quickpanel Mono EL	5.0		
CCSK3136F5	TCP	Quickpanel Jr.	1.5	387 x 402 (15.25 x 15.84)	400 x 450
CCSK3136F9	Xycom	3100	5.0		
CCSK4045F1	Allen-Bradley	PanelView 900 TouchScreen	6.4		
CCSK4045F2	Cutler-Hammer IDT	PanelMate 3000	NA		
CCSK4045F8	Cutler-Hammer IDT	PanelMate 3000 TouchPanel	18.0		
CCSK4045F9	Cutler-Hammer IDT	PanelMate 3000 TouchScreen	15.0		
CCSK4045F10	Cutler-Hammer IDT	PanelMate 2600 Gray Scale/Color TouchPanel	23.0		
CCSK4045F11	Cutler-Hammer IDT	PanelMate 2000 Gray Scale/Color TouchScreen	23.0		
CCSK4045F12	Cutler-Hammer IDT	PanelMate 2000 Color TouchScreen	28.0		
CCSK4045F10	Modicon	PanelMate Plus 2000 Color	23.0		
CCSK4045F12	Modicon	PanelMate Plus 2000 Color TouchScreen	28.0		
CCSK4045F8	Modicon	PanelMate Plus 3000	18.0		
CCSK4045F9	Modicon	PanelMate Plus 3000 TouchScreen	16.0		
CCSK4045F3	Nematron	IWS-200	7.0		
CCSK4045F13	TCP	3400 Series (3414)	5.0		
CCSK4045F14	TCP	3400 Series (3415)	6.0		
CCSK4045F7	TCP	Quickpanel Color STN and TFT	8.0		
CCSK4045F15	Xycom	3300	7.5	537 x 522 (21.15 x 20.57)	550 x 570
CCSK4045F16	Allen-Bradley	PanelView 600 Keypad	4.5		
CCSK5557F4	Allen-Bradley	PanelView 900 TouchScreen	6.9		
CCSK5557F5	Allen-Bradley	PanelView 900 Keypad	6.9		
CCSK5557F1	Allen-Bradley	T70	27.0		
CCSK5557F6	Xycom	3200	7.5		
CCSK5557F7	Ann Arbor Tech	INX 6000 / 7000 / 8000	NA		
CCSK5557F12	Allen-Bradley	PanelView 1000 TouchScreen	8.2		
CCSK5557F13	Allen-Bradley	PanelView 1000 Keypad	8.0		
CCSK5557F8	Nematron	ICC-310 / 320	20.0		
CCSK5557F9	Nematron	ICC-420	20.0		
CCSK5557F10	Nematron	ICC-525 / 535	20.0		
CCSK5557F11	Nematron	ICC-5000	20.0		

Inch dimensions in ().



CONCEPT® Operator Interface Enclosures Window Kits, Accessories



Fixed Window Kit

Aesthetic die-cast aluminum frame has .188-inch-thick clear polycarbonate window. Preassembled kit is secured to front opening of enclosure by mounting screws. Furnished window frame caps conceal mounting screws. Finish is ANSI 61 gray textured or RAL 7035 light gray textured polyester powder paint.

Bezel Patent 393,636 (U.S.)

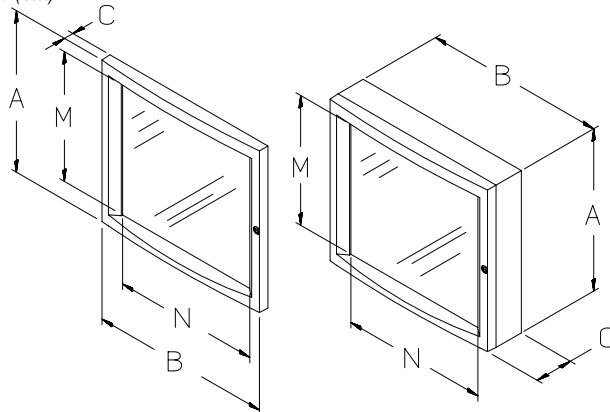
Hinged Window Kits

Window kits are available in two depths. Each kit is hinged on left side and has a single-point slotted latch (optional locking or non-locking wing knob latch is also available). Aesthetic die-cast aluminum frames have .188-inch-thick clear polycarbonate windows.

Deep-hinged window kit has two-inch space between enclosure front opening and window surface to accommodate rack angles, switches, lights, meters, and other components. The deep-hinged window can be used with an optional front plate for applications requiring surface mounted components installed behind a window. (Window cannot be used on a CONCEPT® OI enclosure with a solid body and optional front plate installed.) See cross-section view.

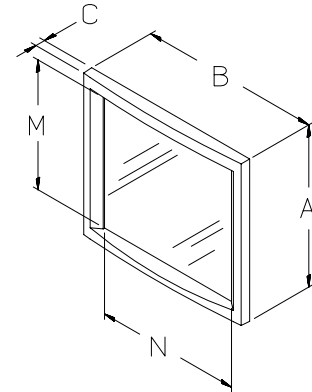
Hinged window kits are finished with a textured ANSI 61 gray or RAL 7035 light gray polyester powder paint.

Bezel Patent 393,636 (U.S.)



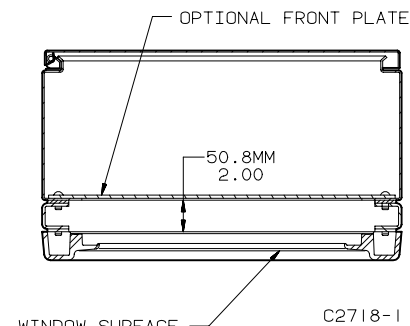
Catalog Number ANSI 61 Gray	Catalog Number RAL 7035 Lt. Gray	Size A x B x C (Inch)	Window Size M x N (Inch)	Fits Enclosure A x B
CWF3136	CWF3136LG	310 x 360 x 32 (12.20 x 14.17 x 1.26)	253 x 276 (9.96 x 10.86)	310 x 360
CWF4045	CWF4045LG	400 x 450 x 33 (15.75 x 17.72 x 1.30)	343 x 366 (13.50 x 14.40)	400 x 450
CWF5557	CWF5557LG	550 x 570 x 36 (21.65 x 22.44 x 1.42)	493 x 486 (19.40 x 19.13)	550 x 570

Inch dimensions in ().

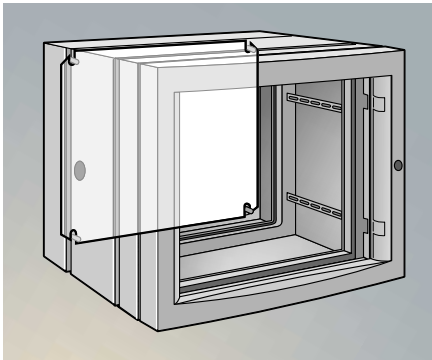


Catalog Number ANSI 61 Gray	Catalog Number RAL 7035 Lt. Gray	Description	Size A x B x C (Inch)	Window Size M x N (Inch)	Fits Enclosure A x B
CWH3136	CWH3136LG	Hinged window	310 x 360 x 34 (12.20 x 14.17 x 1.34)	253 x 276 (9.96 x 10.86)	310 x 360
CWH4045	CWH4045LG	Hinged window	400 x 450 x 35 (15.75 x 17.72 x 1.38)	343 x 366 (13.50 x 14.40)	400 x 450
CWH5557	CWH5557LG	Hinged window	550 x 570 x 38 (21.65 x 22.44 x 1.50)	493 x 486 (19.40 x 19.13)	550 x 570
CWHD3136	CWHD3136LG	Deep hinged window	310 x 360 x 85 (12.20 x 14.17 x 3.34)	253 x 276 (9.96 x 10.86)	310 x 360
CWHD4045	CWHD40456LG	Deep hinged window	400 x 450 x 86 (15.75 x 17.72 x 3.39)	343 x 366 (13.50 x 14.40)	400 x 450
CWHD5557	CWHD5557LG	Deep hinged window	550 x 570 x 89 (21.65 x 22.44 x 3.50)	493 x 486 (19.40 x 19.13)	550 x 570

Inch dimensions in ().



Deep-Hinged Window
(Cross-section from top)

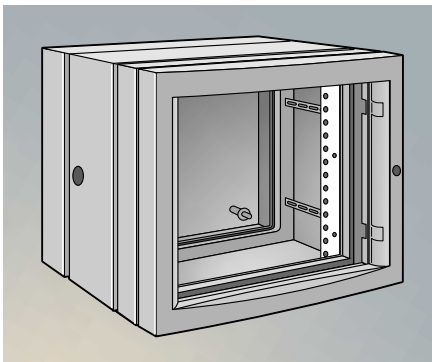
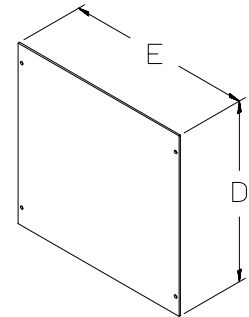


Panel

Panel fits solid back and double-hinged bodies only.

Catalog Number	D	E	Fits Enclosure A x B
CP1212	259 (10.20)	259 (10.20)	310 x 360
CP1616	361 (14.21)	361 (14.21)	400 x 450
CP2020	462 (18.19)	462 (18.19)	550 x 570

Inch dimensions in ().

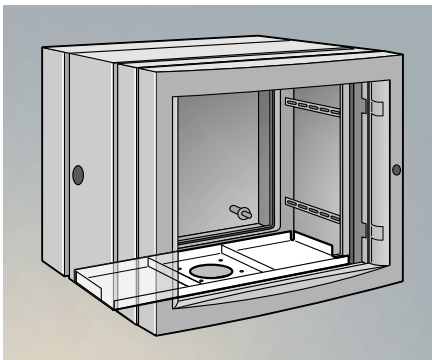
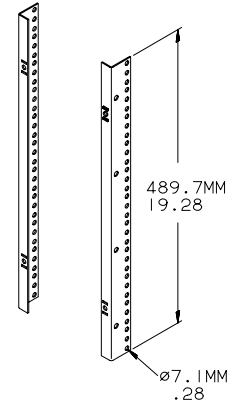


Rack Angles

L-shaped angles are fully adjustable from front to back. Thru-holes accept English or metric clip nuts. Angles meet appropriate ANSI and E.I.A. RS-310 standards. Clear zinc plated. Furnished in pairs.

(Can be mounted with the deep hinged window kit, CVWHD5557, when used on other larger enclosures in window kit applications.)

Catalog Number	Fits Enclosure
CRA11TH	550 x 570 x 150 550 x 570 x 225 550 x 570 x 300 550 x 570 x 375

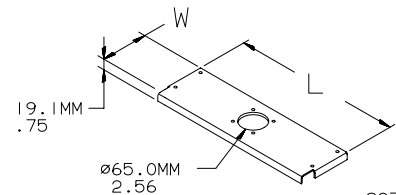


Support Bracket

Bracket provides extra rigidity in enclosures that are pendant mounted (CS2 or CS4 system 50 and system 60) or pedestal mounted. Mounts in top or bottom of enclosure; drilling is required (drill points included on enclosure). Brackets are aluminum. (Support bracket is not required for 310 x 360 x 150 enclosure.)

Catalog Number	W	L	Fits Enclosure
CTS4515	132 (5.20)	435 (17.13)	400 x 450 x 150 400 x 450 x 225
CTS5715	132 (5.20)	548 (21.57)	550 x 570 x 150 550 x 570 x 225
CTS5730	282 (11.10)	548 (21.57)	550 x 570 x 300 550 x 570 x 375

Inch dimensions in ().

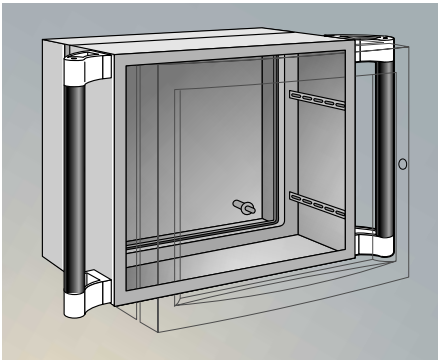


C2762



A Pentair Company

CONCEPT® Operator Interface Enclosures Accessories, Configurations

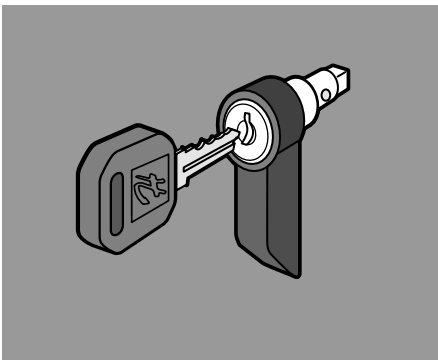
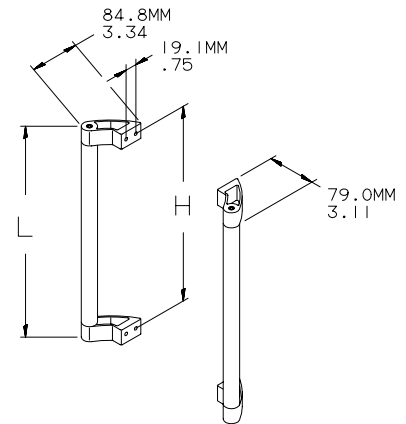


Handle Kits

Handles mount to enclosure sides or bottom. Drilling locations are marked for side installation. Aluminum extruded tube has a black soft surface coating. Die-cast ends are ANSI 61 gray. Kit includes one pair of handles and all mounting hardware.

Catalog Number	H	L	Fits Enclosure
CHDL31	281 (11.06)	310 (12.20)	310 x 360 x 130
CHDL40	372 (14.65)	400 (15.75)	400 x 450 x 150
CHDL55	521 (20.51)	550 (21.65)	500 x 570 x 150 and 550 x 570 x 300

Inch dimensions in ().

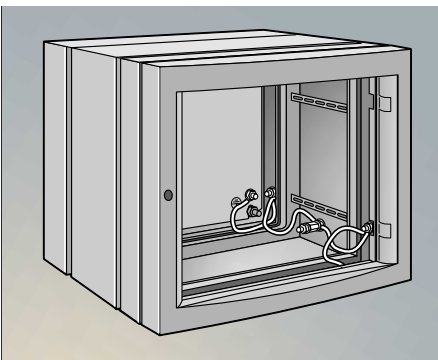
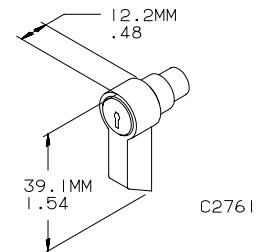


Wing Knobs

Knobs are optional latching for hinged windows and hinged bezels. Knobs are black and available in locking and nonlocking versions.

NOTE: Use CONCEPT® handles for door on rear access body or side latch on double-hinged body. See General Accessories.

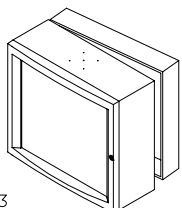
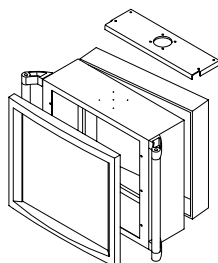
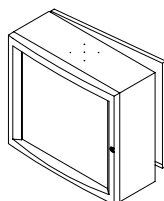
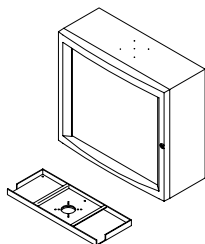
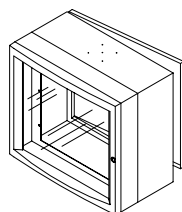
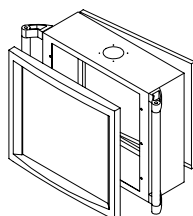
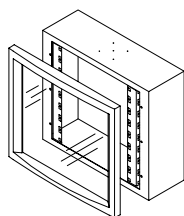
Catalog Number	Description
CWKL	Wing Knob, locking
CWKN	Wing Knob, nonlocking



Grounding Kit

Kit provides a means of attaching a grounding conductor to an enclosure. Kit consists of two copper wires with all installation hardware and instructions included. Wires are insulated.

Catalog Number
CCGK



C2763

1

Description	Qty	Catalog Number	Catalog Number	Catalog Number	Catalog Number
Operator enclosure H x W x D in mm H x W x D in inches		310 x 360 x 130 12.20 x 14.17 x 5.12	400 x 450 x 150 15.75 x 17.72 x 5.91	550 x 570 x 150 21.65 x 22.44 x 5.91	550 x 570 x 300 21.65 x 22.44 x 11.81
Solid back body	1	CCB313613	CCB404515	CCB555715	CCB555730
Fixed window	1	CWF3136	CWF4045	CWF5557	CWF5557
Rack angles	1	N/A	N/A	CRA11TH	CRA11TH

2

Description	Qty	Catalog Number	Catalog Number	Catalog Number	Catalog Number
Operator enclosure H x W x D in mm H x W x D in inches		310 x 360 x 130 12.20 x 14.17 x 5.12	400 x 450 x 150 15.75 x 17.72 x 5.91	550 x 570 x 150 21.65 x 22.44 x 5.91	550 x 570 x 300 21.65 x 22.44 x 11.81
Assembled package	1	CCP313613	CCP404515	CCP555715	CCP555730
Front plate	1	CFP3136	CFP4045	CFP5557	CFP5557

3

Description	Qty	Catalog Number	Catalog Number	Catalog Number	Catalog Number
Operator enclosure H x W x D in mm H x W x D in inches		310 x 360 x 130 12.20 x 14.17 x 5.12	400 x 450 x 150 15.75 x 17.72 x 5.91	550 x 570 x 150 21.65 x 22.44 x 5.91	550 x 570 x 300 21.65 x 22.44 x 11.81
Rear access body	1	CCBR313613	CCBR404515	CCBR555715	CCBR555730
Deep hinged window	1	CWHD3136	CWHD4045	CWHD5557	CWHD5557

4

Description	Qty	Catalog Number	Catalog Number	Catalog Number	Catalog Number
Operator enclosure H x W x D in mm H x W x D in inches		310 x 360 x 130 12.20 x 14.17 x 5.12	400 x 450 x 150 15.75 x 17.72 x 5.91	550 x 570 x 150 21.65 x 22.44 x 5.91	550 x 570 x 300 21.65 x 22.44 x 11.81
Solid back body	1	CCB313613	CCB404515	CCB555715	CCB555730
Hinged bezel	1	CBH3136	CBH4045	CBH5557	CBH5557
Front plate (blank)	1	CFP3136	CFP4045	CFP5557	CFP5557
Support bracket	1	N/A	CTS4515	CTS5715	CTS5730

5

Description	Qty	Catalog Number	Catalog Number	Catalog Number	Catalog Number
Operator enclosure H x W x D in mm H x W x D in inches		310 x 360 x 130 12.20 x 14.17 x 5.12	400 x 450 x 150 15.75 x 17.72 x 5.91	550 x 570 x 150 21.65 x 22.44 x 5.91	550 x 570 x 300 21.65 x 22.44 x 11.81
Rear access body	1	CCBR313613	CCBR404515	CCBR555715	CCBR555730
Hinged bezel	1	CBH3136	CBH4045	CBH5557	CBH5557
Front plate (blank)	1	CFP3136	CFP4045	CFP5557	CFP5557

6

Description	Qty	Catalog Number	Catalog Number	Catalog Number	Catalog Number
Operator enclosure H x W x D in mm H x W x D in inches		310 x 360 x 205 12.20 x 14.17 x 8.07	400 x 450 x 225 15.75 x 17.72 x 8.86	550 x 570 x 225 21.65 x 22.44 x 8.86	550 x 570 x 375 21.65 x 22.44 x 14.76
Double-hinged body	1	CCBDH313621	CCBDH404523	CCBDH555723	CCBDH555738
Fixed bezel	1	CBF3136	CBF4045	CBF5557	CBF5557
Front plate	1	CFP3136	CFP4045	CFP5557	CFP5557
Handles	1	CHDL31	CHDL40	CHDL55	CHDL55
Support bracket	1	N/A	CTS4515	CTS5715	CTS5730

7

Description	Qty	Catalog Number	Catalog Number	Catalog Number	Catalog Number
Operator enclosure H x W x D in mm H x W x D in inches		310 x 360 x 205 12.20 x 14.17 x 8.07	400 x 450 x 225 15.75 x 17.72 x 8.86	550 x 570 x 225 21.65 x 22.44 x 8.86	550 x 570 x 375 21.65 x 22.44 x 14.76
Double-hinged body	1	CCBDH313621	CCBDH404523	CCBDH555723	CCBDH555738
Hinged bezel	1	CBH3136	CBH4045	CBH5557	CBH5557
Front plate	1	CFP3136	CFP4045	CFP5557	CFP5557



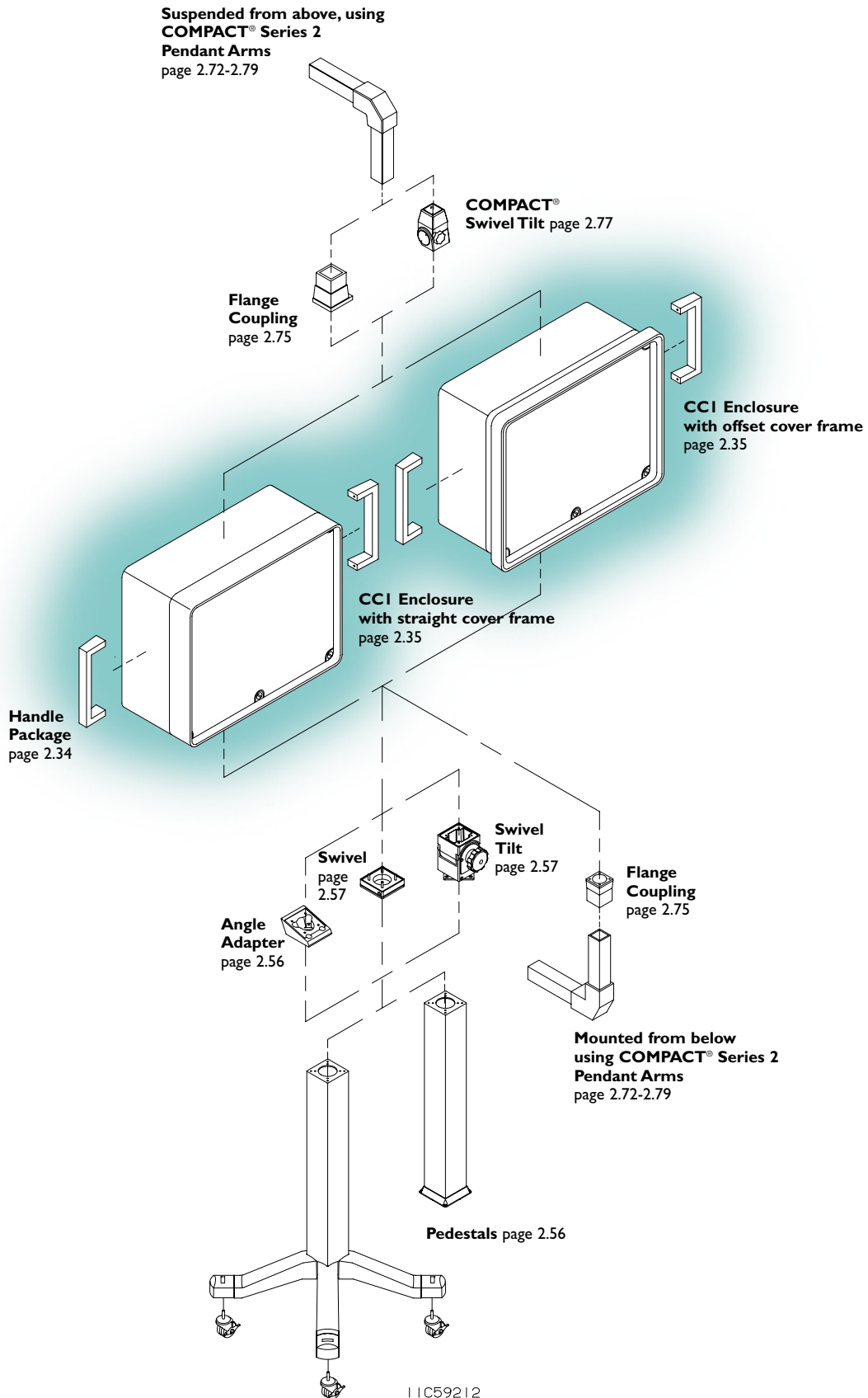
A Pentair Company

COMPACT® CCI Operator Interface Enclosures

COMPACT® CCI Operator Interface enclosures provide control systems designers with additional options for wall, pedestal, or pendant mounted enclosures. CCI enclosures are designed to house a variety of machine control components and systems. Constructed of rugged cast aluminum, these durable enclosures are suitable for harsh industrial and process environments. They are impact resistant and have a deep front visor that protects components mounted on the front plate.

Eight sizes of CCI enclosures are available, with outside dimensions ranging from 200 x 230 x 130mm to 600 x 310 x 230mm. Optional panels, DIN rails, hinges, and handles are also available as accessories.







A Pentair Company

COMPACT® CCI Operator Interface Enclosures



Standard Sizes Handle Kit

Catalog Number	Description	Weight (lbs.)
CCCH150	150mm handle	0.3
CCCH220	220mm handle	0.3
CCCH300	300mm handle	0.3



Standard Size Hinge Kit

Catalog Number	Weight (lbs.)
CCAHK	0.1

Application

Operator Interface enclosures serve as machine control enclosures for electrical controls and other components that are located in dirty and occasionally corrosive environments. These enclosures also protect controls from impact or accidental contact. Multiple mounting provisions (wall, pedestal, or suspension arm) and full front viewing panels provide for ideal operator interface. A variety of enclosure sizes are available to suit a wide range of applications.

Construction

- Cast aluminum body and cover frame provides impact-resistance and strength (enclosure is appropriate for pendant arm mounting without additional support)
- Straight and offset cover frame around front of enclosure shields external components mounted on front mounting plate (pushbuttons, keypads, etc.) from accidental contact
- Removable front cover frame is attached with slotted machine screws
- Aluminum front mounting plate (3mm thick) is removable; plate can be machined to fit user's specifications
- Oil resistant gasket attached with oil-resistant adhesive
- Optional aluminum handles for enclosures mounted on pendant arms or for carrying
- Optional hinges for front cover frame

Finish

Enclosure cover frame is textured black; body is ANSI 61 gray and front plate is clear anodized aluminum with brushed finish.

Industry Standards

UL 508A, 508, File Number E61997: Type 4, Type 4X, Type 12, and Type 13
 NEMA/EEMAC Type 4, Type 4X, Type 12 and Type 13
 CSA File Number LR42186: Type 4, Type 4X, Type 12, and Type 13
 IEC 60529, IP65
 DIN 40050

Accessories

See Chapter 12, General Accessories.

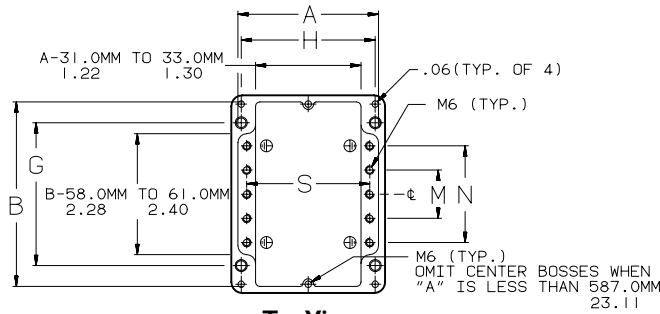
Corrosion Inhibitors
 DIN Type Rails
 Electric Heater
 Fan Cooling Products
 Panels (see table)
 Terminal Kit Assembly
 Touch-Up Paint (ATPPY61)

Standard Sizes Panels†

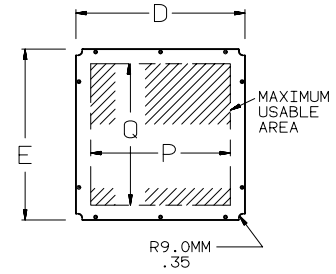
Panel Catalog Number	Panel Size	Fits Enclosure Catalog Number
CCAP2023	185 x 215 (7.29 x 8.47)	CCC202313
CCAP4031	387 x 294 (15.25 x 11.58)	CCC403113
CCAP3323	315 x 215 (12.41 x 8.47)	CCC332315
CCAP6031	585 x 294 (23.05 x 11.58)	CCC603115
CCAP2023	185 x 215 (7.29 x 8.47)	CCC202322
CCAP3323	315 x 215 (12.41 x 8.47)	CCC332322
CCAP4031	387 x 294 (15.25 x 11.58)	CCC403122
CCAP6031	585 x 294 (23.05 x 11.58)	CCC603122

†Panels are zinc-plated steel.

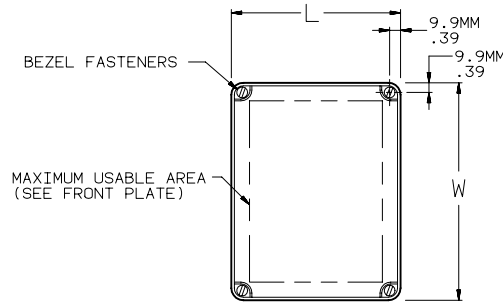




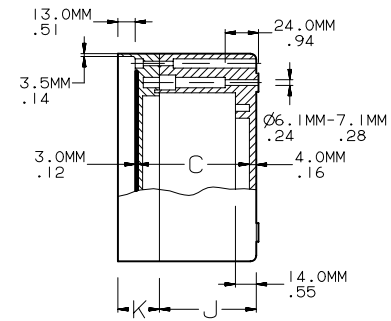
**Top View
Cover Removed**



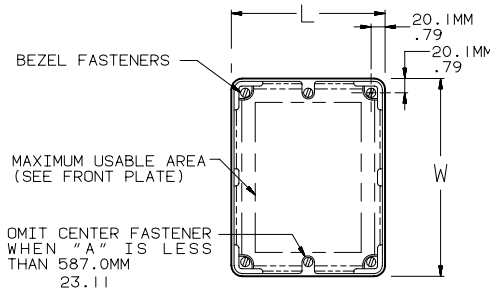
**Front Plate
3mm (1/2) aluminum**



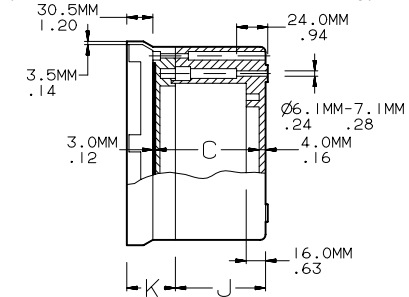
**Top View
Straight Bezel
(CCC202313 & CCC403113 sizes only)**



**End View
Straight Bezel
(CCC202313 & CCC403113 sizes only)**



**Top View
Offset Bezel**



**End View
Offset Bezel**

C2757

Standard Sizes COMPACT® CCI Operator Interface Enclosures

Enclosure Catalog Number*	Overall L x W	Inside Dimensions A x B x C	Mounting G x H	Front Plate D x E	Front Plate Clear Space P x Q	J	K	M	N	S	Weight (lbs.)
• CCC202313	200 x 230 (7.87 x 9.06)	188.5 x 218.5 x 109.0 (7.42 x 8.60 x 4.29)	180.0 x 180.0 (7.09 x 7.09)	190.5 x 220.5 (7.50 x 8.68)	154.0 x 184.0 (6.06 x 7.24)	90.0 (3.54)	39.0 (1.54)	80.0 (3.15)	144.0 (5.67)	170.0 (6.69)	5.3
• CCC403113	402 x 310 (15.83 x 12.20)	389.5 x 297.0 x 106.0 (15.33 x 11.69 x 4.17)	261.0 x 383.0 (10.28 x 15.08)	390.5 x 300.5 (15.37 x 11.83)	353.0 x 263.0 (13.90 x 10.35)	90.0 (3.54)	39.0 (1.54)	223.5 (8.80)	—	372.5 (14.67)	7.9
• † CCC332315	352 x 252 (13.86 x 9.92)	318.5 x 218.5 x 110.0 (12.54 x 8.60 x 4.33)	180.0 x 310.0 (7.09 x 12.20)	320.5 x 220.5 (12.62 x 8.68)	284.0 x 184.0 (11.18 x 7.24)	90.0 (3.54)	61.0 (2.40)	80.0 (3.15)	144.0 (5.67)	300.0 (11.81)	7.9
† CCC603115	620 x 330 (24.41 x 12.99)	587.0 x 297.0 x 108.0 (23.11 x 11.69 x 4.25)	261.0 x 580.0 (10.28 x 22.83)	590.5 x 300.5 (23.25 x 11.83)	554.0 x 264.0 (21.81 x 10.39)	90.0 (3.54)	61.0 (2.40)	223.5 (8.80)	—	270.0 (10.63)	15.4
• † CCC202322	222 x 252 (8.74 x 9.92)	189.0 x 219.0 x 180.0 (7.44 x 8.62 x 7.09)	180.0 x 180.0 (7.09 x 7.09)	190.5 x 220.5 (7.50 x 8.68)	154.0 x 184.0 (6.06 x 7.24)	160.0 (6.30)	61.0 (2.40)	144.0 (5.67)	—	170.0 (6.69)	8.6
• † CCC332322	352 x 252 (13.86 x 9.92)	319.0 x 219.0 x 180.0 (12.56 x 8.62 x 7.09)	180.0 x 310.0 (7.09 x 12.20)	320.5 x 220.5 (12.62 x 8.68)	284.0 x 184.0 (11.18 x 7.24)	160.0 (6.30)	61.0 (2.40)	144.0 (5.67)	—	300.0 (11.81)	10.6
† CCC403122	422 x 330 (16.61 x 12.99)	389.5 x 297.0 x 179.0 (15.33 x 11.69 x 7.05)	261.0 x 383.0 (10.28 x 15.08)	390.5 x 300.5 (15.37 x 11.83)	354.0 x 264.0 (13.94 x 10.39)	160.0 (6.30)	61.0 (2.40)	223.5 (8.80)	—	372.5 (14.67)	15.0
† CCC603122	620 x 330 (24.41 x 12.99)	587.0 x 297.0 x 179.0 (23.11 x 11.69 x 7.05)	261.0 x 580.0 (10.28 x 22.83)	590.5 x 300.5 (23.25 x 11.83)	554.0 x 264.0 (21.81 x 10.39)	160.0 (6.30)	61.0 (2.40)	223.5 (8.80)	—	570.0 (22.44)	20.5

Inch dimensions in ().

* Panels must be ordered separately. See table at left.

† Offset cover frame.

• Suitable for Series 1 pendant mounting.



A Pentair Company

PROLINE® Sloped Top OI Enclosure System

PROLINE® sloped top operator interface enclosures are available in three widths — 600, 800, and 1200mm. The depth for all sizes is 600mm. These operator interface enclosures are available in both steel and stainless steel. The sloped top with accessory front accommodates keyboard and control compartments as well as writing surfaces. By introducing numerous sizes and accessory fronts, only Hoffman provides so vast an array of options for housing operator interfaces and related equipment, such as keyboards, pushbuttons, printers, and PLCs.

Industry Standards

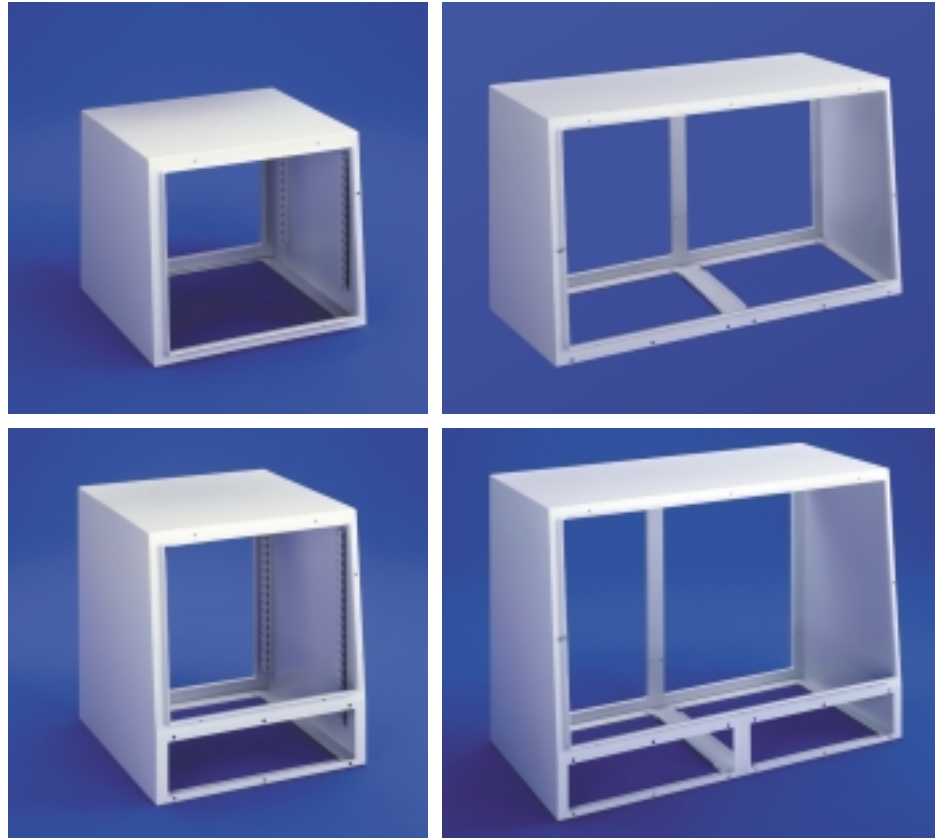
UL 508A, 508, File Number E61997

CSA File Number LR42186

IEC 60529

PROLINE® sloped top operator interface enclosures are rated UL and CSA Type 4X or Type 12 as follows:

- Painted steel sloped tops are UL and CSA Type 12, IP55
- Painted steel front, rear, and bottom options are UL and CSA Type 12, IP55
- Stainless steel sloped tops are UL and CSA Type 4, 4X, and 12, IP66
- Stainless steel front, rear, and bottom options are UL and CSA Type 4, 4X, and 12, IP66



Patents (PROLINE®)

Frame (Modular)

U.S. 5,380,083

U.S. 5,388,903

Small Flush Handle

U.S. 3,911,143

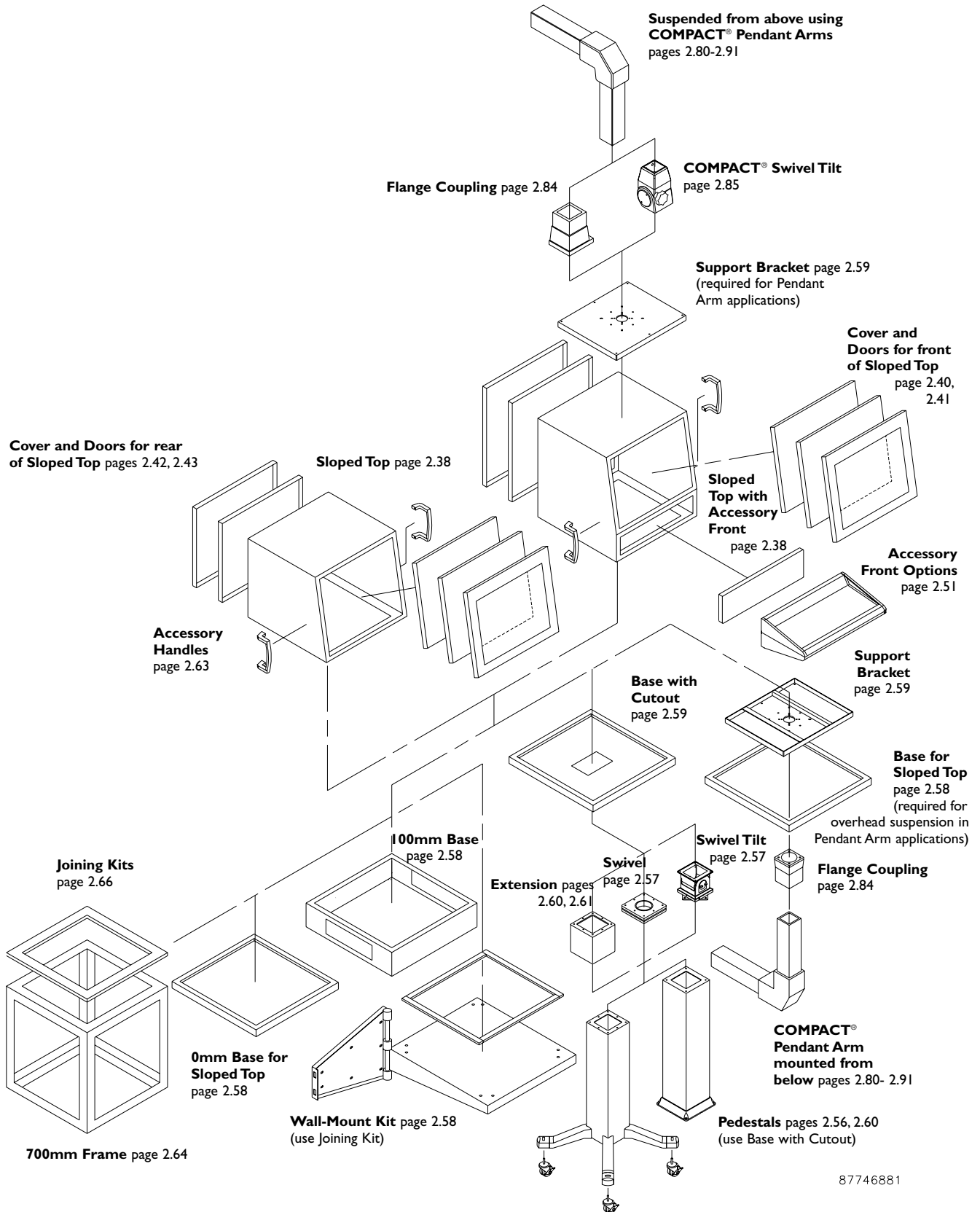
Subpanel Guide

U.S. 5,292,189

Mounting Blocks

U.S. 5,407,263

Other patents pending



87746881



A Pentair Company

PROLINE® Sloped Top OI Enclosure System



Sloped Top

Enclosure is available in three heights—400, 500, and 700mm. Full front opening for door/cover options has a 5-degree slope. Rear opening(s) for door and cover options. Optional PROLINE® frame shelf or PROLINE® grid system is recommended to provide a stationary platform for supporting deep equipment. The open bottom is suitable for joining the top to a 700mm-tall PROLINE® frame. The bottom of the 600mm x 600mm

sizes can be joined through a cutout base to a pedestal or a pendant arm system. A support bracket accessory allows the 600 mm x 600 mm sizes to be suspended from an overhanging pendant arm. Sloped top enclosures are Type 304 stainless steel or 14 gauge steel with an RAL 7035 light gray textured polyester powder paint finish.

Catalog Number	Description	Nominal Size A x B x C millimeter	Front Opening E x G	Rear Opening F x H	Internal Mounting			Internal Mounting	
					A	B	D	J	K
PST466	Steel	400 x 600 x 600	339 x 536 (13.36 x 21.11)	336 x 564 (13.21 x 21.11)	407 (16.04)	608 (23.94)	507 (19.96)	225 (8.86)	225 (8.86)
PST566	Steel	500 x 600 x 600	440 x 536 (17.31 x 21.11)	435 x 536 (17.13 x 21.11)	507 (19.98)	608 (23.94)	498 (19.61)	325 (12.80)	325 (12.80)
PST766	Steel	700 x 600 x 600	641 x 536 (25.22 x 21.11)	636 x 536 (25.02 x 21.11)	707 (27.85)	608 (23.94)	481 (18.92)	525 (20.67)	525 (20.67)
PST766SS	Stainless steel	700 x 600 x 600	641 x 536 (25.22 x 21.11)	636 x 536 (25.02 x 21.11)	707 (27.85)	608 (23.94)	481 (18.92)	525 (20.67)	525 (20.67)
PST786	Steel	700 x 800 x 600	640 x 736 (25.22 x 28.98)	636 x 736 (25.02 x 28.98)	707 (27.85)	808 (31.81)	481 (18.92)	525 (20.67)	525 (20.67)
PST7126	Steel	700 x 1200 x 600	641 x 1136 (25.22 x 44.73)	636 x 536 (25.02 x 21.11)	707 (27.85)	1208 (47.56)	481 (18.92)	525 (20.67)	525 (20.67)

Inch dimensions in ().



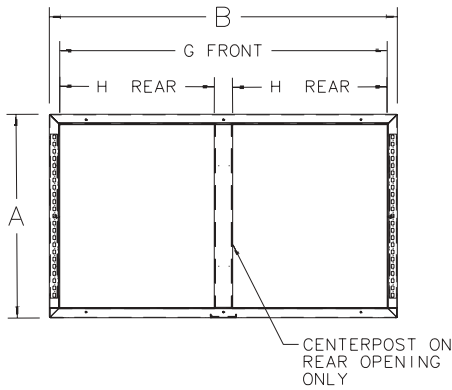
Sloped Top with Accessory Front

Enclosure is available in two heights—500mm and 700mm. Upper front opening for door/cover options has a 5-degree slope. Lower section is suitable for keyboard or other front options. Rear opening(s) for door and cover options. The internal mounting hole pattern accommodates most PROLINE® internal accessories. Optional PROLINE® frame shelf or PROLINE® grid system provides a stationary platform for supporting deep

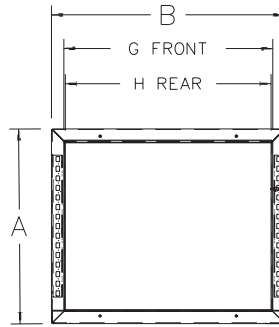
equipment. The open bottom is suitable for joining the top to a 700mm PROLINE® frame. The bottom of the 600mm x 600mm sizes can be joined through a cutout base to a pedestal or a pendant arm system. A support bracket accessory allows the 600 mm x 600 mm size to be suspended from an overhanging pendant arm. Sloped tops with accessory front are Type 304 stainless steel or 14 gauge steel with RAL 7035 textured light gray polyester powder paint finish.

Catalog Number	Description	Nominal Size A x B x C millimeter	Front Opening E x G	Rear Opening F x H	Internal Mounting			Internal Mounting	
					A	B	D	J	K
PST5A66	Steel	500A x 600 x 600	440 x 536 (17.31 x 21.11)	611 x 536 (24.04 x 21.11)	682 (26.87)	608 (23.94)	498 (19.61)	500 (19.69)	500 (19.69)
PST5A66SS	Stainless steel	500A x 600 x 600	440 x 536 (17.31 x 21.11)	611 x 536 (24.04 x 21.11)	682 (26.87)	608 (23.94)	498 (19.61)	500 (19.69)	500 (19.69)
PST5A86	Steel	500A x 800 x 600	440 x 736 (17.31 x 28.98)	611 x 736 (24.04 x 28.98)	682 (26.87)	808 (31.81)	498 (19.61)	500 (19.69)	500 (19.69)
PST5A126	Steel	500A x 1200 x 600	440 x 1136 (17.31 x 44.73)	611 x 536 (24.04 x 21.11)	682 (26.87)	1208 (47.56)	498 (19.61)	500 (19.69)	500 (19.69)
PST7A66	Steel	700A x 600 x 600	641 x 536 (25.22 x 21.11)	811 x 536 (31.91 x 21.11)	882 (34.74)	608 (23.94)	481 (18.92)	700 (27.56)	700 (27.56)
PST7A66SS	Stainless steel	700A x 600 x 600	641 x 536 (25.22 x 21.11)	811 x 536 (31.91 x 21.11)	882 (34.74)	608 (23.94)	481 (18.92)	700 (27.56)	700 (27.56)
PST7A86	Steel	700A x 800 x 600	641 x 736 (25.22 x 28.98)	811 x 736 (31.91 x 28.98)	882 (34.94)	808 (31.81)	481 (18.92)	700 (27.56)	700 (27.56)
PST7A126	Steel	700A x 1200 x 600	641 x 1136 (25.22 x 44.73)	811 x 536 (31.91 x 21.11)	882 (34.74)	1208 (47.56)	481 (18.92)	700 (27.56)	700 (27.56)

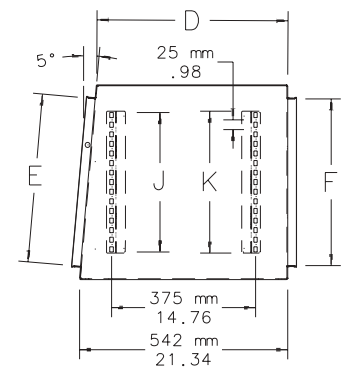
Inch dimensions in ().



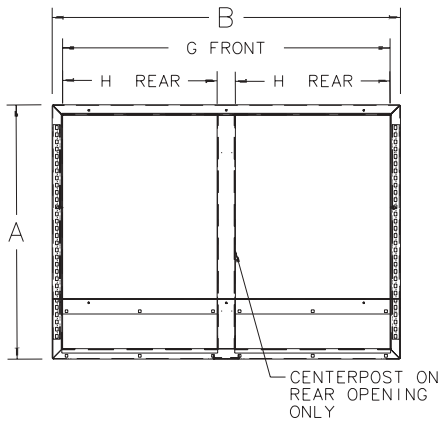
**1200mm wide
Sloped Top**



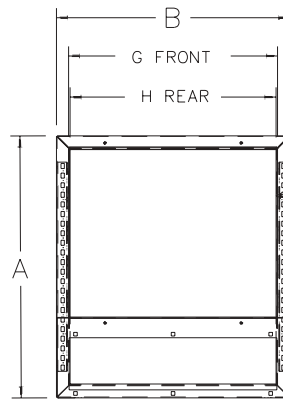
**600mm/800mm wide
Sloped Top**



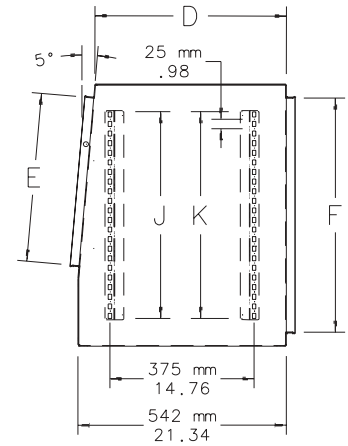
87746882_1



**1200mm wide
Sloped Top
with Accessory Front**

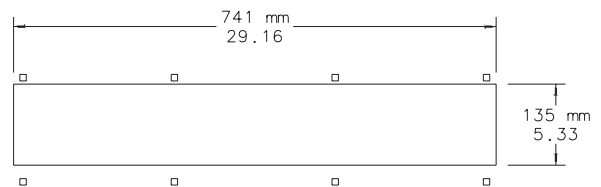
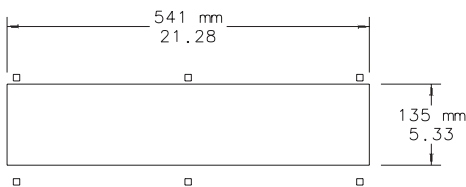


**600mm/800mm wide
Sloped Top
with Accessory Front**



87746882_2

Accessory Front Opening Dimensions



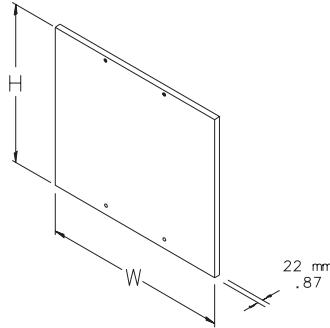
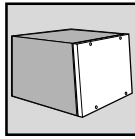
87746882_3



PROLINE® Sloped Top OI Enclosure System

Covers for Upper Front of PROLINE® Sloped Tops

Solid 16 gauge steel covers are secured to the front opening of a PROLINE® sloped top with semi-flush cover screws along the top and bottom cover edges. Ground stud and mounting hardware are included. Seamless foam-in-place gasket assures a watertight and dust-tight seal. Finish is RAL 7035 textured light gray polyester powder paint or Type 304 stainless steel. Optional tamper-resistant cover screws are available.

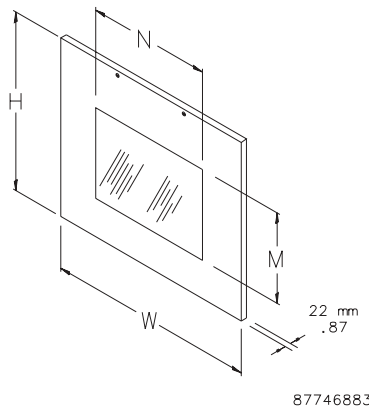
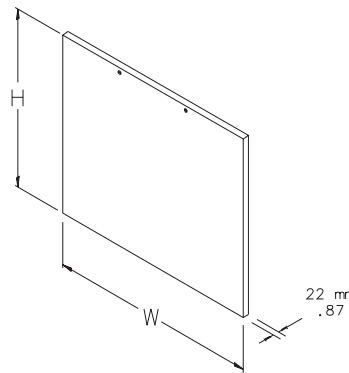
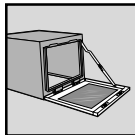
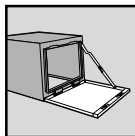


Solid Covers for Upper Front		
Catalog Number	Description	Cover Size H x W
PCS46F	Steel	406 x 592 (15.98 x 23.30)
PCS56F	Steel	506 x 592 (19.93 x 23.30)
PCS56FSS	Stainless steel	506 x 592 (19.93 x 23.30)
PCS58F	Steel	506 x 792 (19.93 x 31.17)
PCS58FSS	Stainless steel	506 x 792 (19.93 x 31.17)
PCS512F	Steel	506 x 1192 (19.93 x 46.92)
PCS76F	Steel	707 x 592 (27.84 x 23.30)
PCS76FSS	Stainless steel	707 x 592 (27.84 x 23.30)
PCS78F	Steel	707 x 792 (27.84 x 31.17)
PCS712F	Steel	707 x 1192 (27.84 x 46.92)

Inch dimensions in ().

Doors for Upper Front of PROLINE® Sloped Tops

Solid 16 gauge steel doors are available with or without windows. Doors are hinged at lower edge and have quarter-turn latches. A stop arm assembly holds the door at 95 degrees (horizontal) from its closed position. Standard latch and insert options are available (see Accessories on next page). Ground stud and mounting hardware are included. Seamless polyurethane foam-in-place gasket assures watertight and dust-tight seal. Window doors feature a maximum size polycarbonate window .25 inch thick with a smoke gray tint. Window is field replaceable. Finish is RAL 7035 textured light gray polyester powder paint or Type 304 stainless steel.



Solid Doors for Upper Front		
Catalog Number	Description	Door Size H x W
PDS46F	Steel	404 X 592 (15.91 X 23.30)
PDS56F	Steel	504 X 592 (19.86 X 23.30)
PDS56FSS	Stainless steel	504 X 592 (19.86 X 23.30)
PDS58F	Steel	504 X 792 (19.86 X 31.17)
PDS58FSS	Stainless steel	504 X 792 (19.86 X 31.17)
PDS512F	Steel	504 X 1192 (19.86 X 46.92)
PDS76F	Steel	705 X 592 (27.77 X 23.30)
PDS76FSS	Stainless steel	705 X 592 (27.77 X 23.30)
PDS78F	Steel	705 X 792 (27.77 X 31.17)
PDS712F	Steel	705 X 1192 (27.77 X 46.92)

Inch dimensions in ().

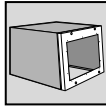
Window Doors for Upper Front			
Catalog Number	Description	Door Size H x W	Window Size M x N
PDW46F	Steel	404 x 592 (15.91 x 23.30)	254 x 432 (10.00 x 17.00)
PDW56F	Steel	504 x 592 (19.86 x 23.30)	362 X 432 (14.25 x 17.00)
PDW56FSS	Stainless steel	504 x 592 (19.86 x 23.30)	362 X 432 (14.25 x 17.00)
PDW56W16	Steel	504 x 592 (19.86 x 23.30)	254 x 318 (10.00 x 12.50)
PDW58F	Steel	504 x 792 (19.86 x 31.17)	362 x 635 (14.25 x 25.00)
PDW58FSS	Stainless steel	504 x 792 (19.86 x 31.17)	362 x 635 (14.25 x 25.00)
PDW76F	Steel	705 x 592 (27.77 x 23.30)	559 x 432 (22.00 x 17.00)
PDW76FSS	Stainless steel	705 x 592 (27.77 x 23.30)	559 x 432 (22.00 x 17.00)
PDW76W21	Steel	705 x 592 (27.77 x 23.30)	330 x 432 (13.00 x 17.00)

Inch dimensions in ().



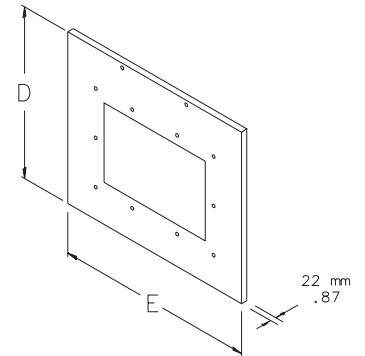
Covers with OI Cutout for Upper Front of PROLINE® Sloped Tops

Covers with OI cutouts are secured to the front opening of a PROLINE® sloped top with semi-flush cover screws along the top and bottom cover edges. Use PROLINE® frame shelf or



PROLINE® grid straps and plates to support operator interface. Ground stud and mounting hardware are included. Seamless foam-in-place gasket assures a watertight and dust-tight seal. 16 gauge steel cover finish is RAL 7035 textured light gray polyester powder paint. Optional tamper-resistant cover screws are available.

NOTE: Through the Modification Services program, Hoffman can provide pre-configured covers to meet your specific requirements. Contact your local Hoffman Sales Representative for more information.



87746884

Pre-Cut Cover Catalog Number	Manufacturer	Model	Approx. OI Weight		D x E	Fits Sloped Top
			Lbs.	Kg		
PCSK56F6	Allen-Bradley	PanelView 1200e / 1400e Keypad	46	20.9	504 x 592 (19.86 x 23.30)	500 x 600 and 500A x 600
PCSK76F6	Allen-Bradley	PanelView 1200e / 1400e Keypad	46	20.9	705 x 592 (27.77 x 23.30)	700 x 600 and 700A x 600

Inch dimensions in ().

PROLINE® Upper Front Door Accessories

These accessories provide a variety of latch configurations for PROLINE® sloped top front doors.

Catalog Number	Description
Key Inserts	
LLKSM7	7mm square
LLKSM8	8mm square
LLKDBM3	Double-bit with 3mm pin
LLKDB	Daimler Benz
LLKSS	Slotted
Wing Knob Latch	
LLKWK	One latch and two keys
Flush Key Lock	
PSTLO	One latch and two keys

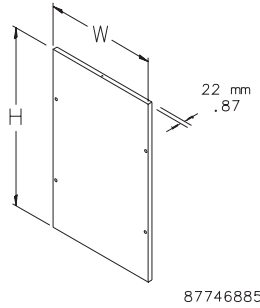
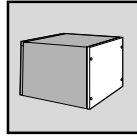


A Pentair Company

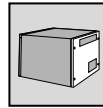
PROLINE® Sloped Top OI Enclosure System

Covers for Rear of PROLINE® Sloped Tops

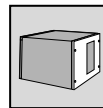
Cover fits rear opening of PROLINE® sloped tops and is secured with semi-flush cover screws along right and left cover edges. Use PROLINE® frame shelf or PROLINE® grid straps to support the operator interface. Seamless foam-in-place gasket assures watertight and dust-tight seal. Ground stud and mounting hardware are included. Optional tamper-resistant screws are available. Covers are 16 gauge steel finished with RAL 7035 textured light gray polyester powder paint or Type 304 stainless steel.



Solid Covers Catalog Number	Description	Cover Size H x W
PCS46R	Steel	405 x 596 (15.96 x 23.47)
PCS56R	Steel	506 x 596 (19.92 x 23.47)
PCS76R	Steel	596 x 706 (23.47 x 27.79)
PCS76RSS	Stainless steel	596 x 706 (23.47 x 27.79)
PCS78R	Steel	706 x 796 (27.79 x 31.35)
PCS5A6R	Steel	679 x 597 (26.75 x 23.51)
PCS5A6RSS	Stainless steel	679 x 597 (26.75 x 23.51)
PCS5A8R	Steel	679 x 796 (26.75 x 31.35)
PCS7A6R	Steel	879 x 596 (34.62 x 23.47)
PCS7A6RSS	Stainless steel	879 x 596 (34.62 x 23.47)
PCS7A8R	Steel	879 x 796 (34.62 x 31.35)



Covers with Cutouts for Hoffman Side Mount 13 Series Air Conditioner		
Catalog Number	Description	Cover Size H x W
PCSK46ACR	Steel	405 x 596 (15.96 x 23.47)
PCSK56ACR	Steel	506 x 596 (19.92 x 23.47)
PCSK76ACR	Steel	596 x 706 (23.47 x 27.79)
PCSK5A6ACR	Steel	679 x 597 (26.75 x 23.51)
PCSK7A6ACR	Steel	879 x 596 (34.62 x 23.47)



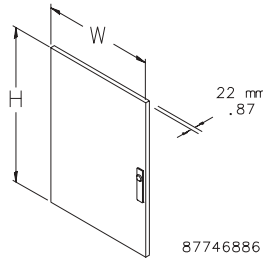
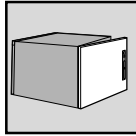
Covers with Cutouts for Hoffman XR-20-6 Heat Exchanger		
Catalog Number	Description	Cover Size H x W
PCSK76HXR	Steel	596 x 706 (23.47 x 27.79)
PCSK5A6HXR	Steel	679 x 597 (26.75 x 23.51)
PCSK7A6HXR	Steel	879 x 596 (34.62 x 23.47)

Inch dimensions in ().



Doors for Rear of PROLINE® Sloped Tops

Rear doors are side-hinged. The hinges are hidden and provide 130-degree door swing. Doors can be hinged from left or right. Door includes two-point latching with a flush slotted quarter turn insert. Standard PROLINE® handle and insert options are available for retrofit (see Accessories below). Use PROLINE® frame shelf or PROLINE® grid straps to support the operator interface. Ground stud and mounting hardware are included. Seamless foam-in-place gasket assures a watertight and dust-tight seal. Covers are 16 gauge steel finished with RAL 7035 textured light gray polyester powder paint or Type 304 stainless steel.



Door Catalog Number	Description	Door Size H x W
PDS46R	Steel	405 x 592 (15.96 x 23.30)
PDS56R	Steel	506 x 592 (19.91 x 23.30)
PDS76STR	Steel	706 x 592 (27.79 x 23.30)
PDS76RSS	Stainless steel	706 x 592 (27.79 x 23.30)
PDS78STR	Steel	706 x 792 (27.79 x 31.17)
PDS5A6R	Steel	679 x 592 (26.75 x 23.30)
PDS5A6RSS	Stainless steel	679 x 592 (26.75 x 23.30)
PDS5A8R	Steel	679 x 792 (26.75 x 31.17)
PDS7A6R	Steel	879 x 592 (34.62 x 23.30)
PDS7A6RSS	Stainless steel	879 x 592 (34.62 x 23.30)
PDS7A8R	Steel	879 x 792 (34.62 x 31.17)

Inch dimensions in ().

Accessories for Solid Rear Doors

Accessories listed here are designed for use with PROLINE® rear doors. See PROLINE® Accessories in Chapter I, Modular Enclosure Systems.


Accessories for Solid Rear Doors	
Key Inserts	
PKOTM7	7mm triangle
PKOTM8	8mm triangle
PKOTM65	CNOMO
PKOSM7	7mm square
PKOSM8	8mm Square
PKOGBK3	Double-bit with 3mm pin
PKOGB	Daimler Benz
PKOATT	AT & T
Flush Handle	
PSHKBL	One handle and two keys
Data Pockets	
ADP1	Small data pocket
ADP2	Large data pocket





PROLINE® Sloped Top OI Enclosure System


Selection Matrix: Front and Rear Options

Component Selection Matrix Sloped Top Front and Rear Options

			Front Options											
Sloped Top			Solid Cover (Steel)	Solid Cover (Stainless Steel)	Solid Door (Steel)	Solid Door (Stainless Steel)	Window Door (Steel)	Window Door (Stainless Steel)	Cover with OI Cutout					
A	B	C												
400	600	600	PCS46F		PDS46F		PDW46F							See page 2.41
500	600	600	PCS56F	PCS56FSS	PDS56F	PDS56FSS	PDW56F or PDW56W16	PDW56FSS						See page 2.41
700	600	600	PCS76F	PCS76FSS	PDS76F	PDS76FSS	PDW76F or PDW76W21	PDW76FSS						See page 2.41
700	800	600	PCS78F		PDS78F									See page 2.41

			Front Options											
1200mm Sloped Top			Solid Cover (Steel)	Solid Cover (Stainless Steel)	Solid Door (Steel)	Solid Door (Stainless Steel)	Window Door (Steel)	Window Door (Stainless Steel)	Cover with OI Cutout					
A	B	C												
700	1200	600	PCS712F		PDS712F									

			Front Options											
Sloped Top with Accessory Front			Solid Cover (Steel)	Solid Cover (Stainless Steel)	Solid Door (Steel)	Solid Door (Stainless Steel)	Window Door (Steel)	Window Door (Stainless Steel)	Cover with OI Cutout					
A	B	C												
500A	600	600	PCS56F	PCS56FSS	PDS56F	PDS56FSS	PDW56F or PDW56W16	PDW56FSS						See page 2.41
500A	800	600	PCS58F	PCS58FSS	PDS58F	PDS58FSS	PDW58F	PDW58FSS						
700A	600	600	PCS76F	PCS76FSS	PDS76F	PDS76FSS	PDW76F or PDW76W21	P DW76FSS						See page 2.41
700A	800	600	PCS78F		PDS78F									

			Front Options											
1200mm Sloped Top with Accessory Front			Solid Cover (Steel)	Solid Cover (Stainless Steel)	Solid Door (Steel)	Solid Door (Stainless Steel)	Window Door (Steel)	Window Door (Stainless Steel)	Cover with OI Cutout					
A	B	C												
500A	1200	600	PCS512F		PDS512F									
700A	1200	600	PCS712F		PDS712F									

^a For Hoffman Side Mount 13 Series air conditioners.

^b For Hoffman XR-20-6 heat exchangers.

^c Doors hinged on side. Two-point latching with flush hex insert. Other handle options are available. See Accessories for Sloped Top OI Enclosures in this section.


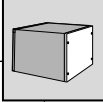

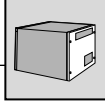
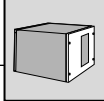
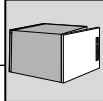




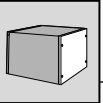



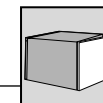
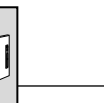
Component Selection Matrix Sloped Top Front and Rear Options


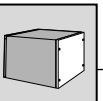

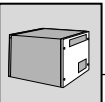
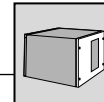
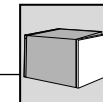

2


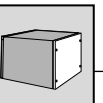

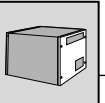
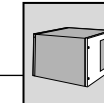
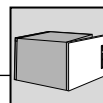
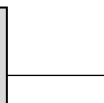
Operator Interface Enclosure Systems

Enclosures

Rear Options								
						Sloped Top		
						A	B	C
PCS46R		PCSK46ACR		PDS46R ^c		400	600	600
PCS56R		PCSK56ACR		PDS56R ^c		500	600	600
PCS76R	PCS76SS	PCSK76ACR	PCSK76HXR	PDS76STR ^c	PDS76SS ^c	700	600	600
PCS78R				PDS78STR ^c		700	800	600

Rear Options								
						1200mm Sloped Top		
						A	B	C
PCS76R	PCS76SS			PDS76SSTR ^c	PDS76SS ^c	700	1200	600

Rear Options								
						Sloped Top with Accessory Front		
						A	B	C
PCS5A6R	PCS5A6RSS	PCSK5A6CR	PCSK5A6HXR	PDS5A6R ^c	PDS5A6RSS ^c	500A	600	600
PCS5A8R				PDS5A8R ^c		500A	800	600
PCS7A6R	PCS7A6RSS	PCSK7A6CR	PCSK7A6HXR	PDS7A6R ^c	PDS7A6RSS ^c	700A	600	600
PCS7A8R				PDS7A8R ^c		700A	800	600

Rear Options								
						1200mm Sloped Top with Accessory Front		
						A	B	C
PCS5A6R	PCS5A6RSS	PCSK5A6CR	PCSK5A6HXR	PDS5A6R ^c	PDS5A6RSS ^c	500A	1200	600
PCS7A6R	PCS7A6RSS	PCSK7A6CR	PCSK7A6HXR	PDS7A6R ^c	PDS7A6RSS ^c	700A	1200	600

^a For Hoffman Side Mount 13 Series air conditioners.

^b For Hoffman XR-20-6 heat exchangers.

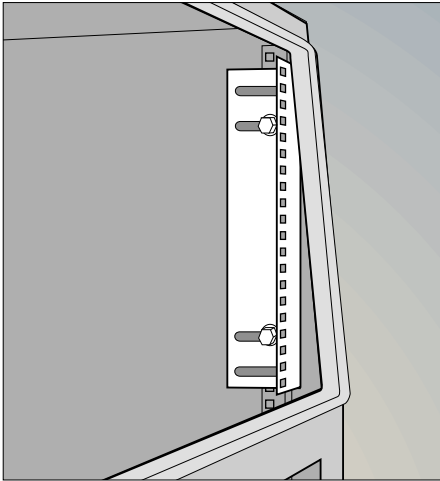
^c Doors hinged on side. Two-point latching with flush hex insert. Other handle options are available. See Accessories for Sloped Top OI Enclosures in this section.



A Pentair Company

PROLINE® Sloped Top OI Enclosure System

Internal Components

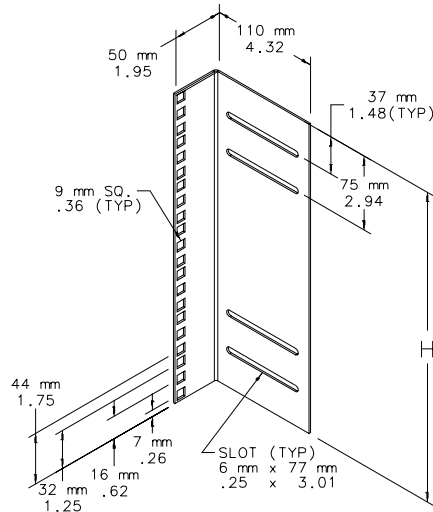


Rack Angles for PROLINE® Sloped Tops

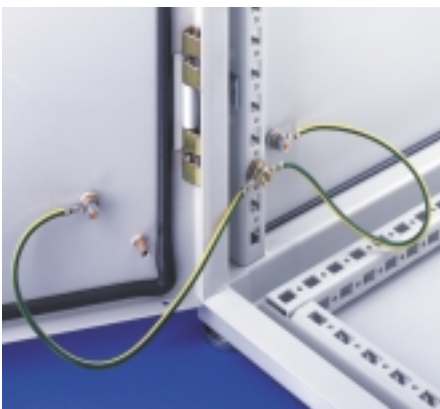
Symmetrical rack angles have thru-holes in mounting surfaces for mounting rack equipment. Angles are 14 gauge steel zinc-plated with yellow chromate finish. Rack angles with thru-holes accommodate either English or metric cage nuts. Rack angles are furnished in pairs and comply with ANSI/E.I.A. RS310 rack mounting standards.

Catalog Number-	Units†	H	Description
PRA5TH	5	223 (8.77)	General purpose short section
PRA7TH	7	312 (12.27)	Fits front and back of 400 high OI
PRA9TH	9	401 (15.77)	Fits front of 500/500A and back of 700/500A
PRA13TH	13	578 (22.77)	Fits front of 500/500A and back of 700/500A
PRA17TH	17	756 (29.77)	Fits back of 700A

† One unit = 1.75 inches (44.4mm).
Inch dimensions in ().



87746887



Grounding Device

Designed as a means of attaching a grounding conductor to a PROLINE® OI enclosure. Includes six 12 gauge wires and all installation hardware.

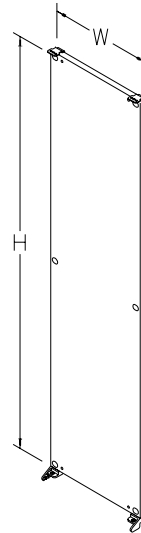
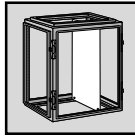
Catalog Number	Wire Size	Length Between Ring Terminals	Ring Terminal Hole Diameter
PGK	12 ga.	16.19 (411)	.285 (7)

Millimeter dimensions in ().



Full Subpanels

Subpanels are 12 gauge steel, have flanges on all sides, and are painted white. They can be mounted in PROLINE® frame bases and OI sloped tops at any depth in 25mm increments using optional grid straps. All mounting hardware is included.

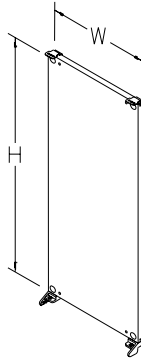
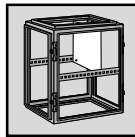


Full Subpanel Catalog Number	H	W	Fits
PPF76	585 (23.03)	530 (20.87)	500A x 600 and 700 x 600
PPF78	585 (23.03)	730 (28.74)	500A x 800 and 700 x 800
PPF712	585 (23.03)	1130 (44.49)	500A x 1200 and 700 x 1200

Inch dimensions in ().

Partial Subpanels

Partial subpanels can be positioned vertically in .88-inch increments and can also be positioned in PROLINE® frame bases and OI sloped tops at any depth in 25mm increments using optional grid straps. All mounting hardware is included. Finish is white.



Partial Subpanel Catalog Number	H	W	Fits
PPP46	360 (14.17)	530 (20.87)	All 600 wide OIs
PPP48	360 (14.17)	730 (28.74)	All 800 wide OIs
PPP412	360 (14.17)	1130 (44.49)	All 1200 wide OIs

Inch dimensions in ().

87746888

PROLINE® Joining Kits

Kits permit joining two 700mm frames while maintaining an environmental seal. Kits available for side-to-side, top-to-frame and wall-mounting applications. See PROLINE® Joining Kits on page 2.66.



A Pentair Company

PROLINE® Sloped Top OI Enclosure System


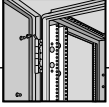
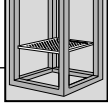
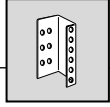

Selection Matrix: Internal Components

Component Selection Matrix Internal Components for Sloped Top Frame Base

Sloped Top Frames		Full Subpanel (See Modular Enclosures)			Partial Subpanel (See Modular Enclosures)			Swing-Out Panel Kit (See Modular Enclosures)		Grid Strap One Row (See Modular Enclosures)				Grid Strap Three Row (See Modular Enclosures)				Grounding Bar System (See Modular Enclosures)		Center Upright (See Modular Enclosures)
		PPF76	PPF78	PPF712	PPP46	PPP48	PPP412	PSP76	PSP78	PGH1S6	PGH1S7	PGH1S9	PGH1S13	PGH3S6	PGH3S7	PGH3S9	PGH3S12	PGS2K	PGS4K	PCU7
PF766	400	●			●			●		●	●		●	●			●	●		
PF786	500		●			●			●	●			●	●	●		●	●		
PF7126	700			●						●		●	●			●	●		●	



Component Selection Matrix Internal Components for Frame Base

 Swing-Out Rack Frame (See Modular Enclosures)		 Rack Angles (See Modular Enclosures)		 Frame Shelf (See Modular Enclosures)		 Frame Reducing Brackets (See Modular Enclosures)			
PSF76	PSF78	PRA197TH/TP	PRA247TH/TP	PFSH66	PFSH86	PRB50	Sloped Top Frames		
•				•			PF766	400	
•	•	•	•		•	•	PF786	500	
•							PF7126	700	

Accessories for Swing-Out Rack Frame include:	
Guides	PSFG
Rack Panels	A19RP__ (23 models)
Screw Package	AS1032 or PSM5
Clip Nut Packages	AN1032 or PNM5

Accessories for Rack Angles include:	
Drawers	A19DR2U and A-19DR4U
Drawer Writing Surface	A19WSDR
Guides	PSFG, AG1U5, and AG1U6
Slides	A16SL2U
Fixed Shelf	A19SH5 and A19SH6
Pull-out Shelf	A19SHP6
Rack Panels	A19RP__ (23 models)
Screw Package	AS1032 or PSM5
Clip Nut Packages	AN1032 or PNM5



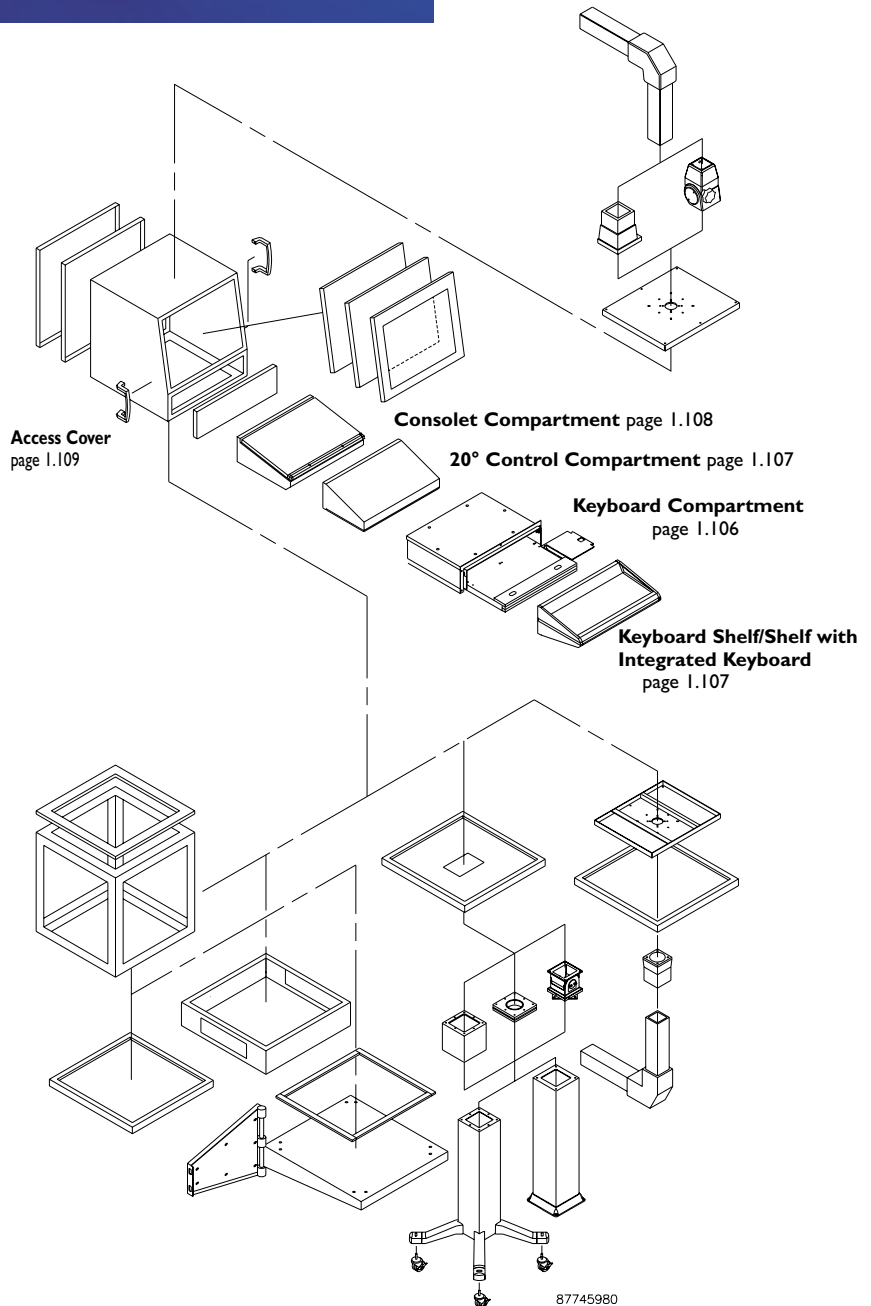
A Pentair Company

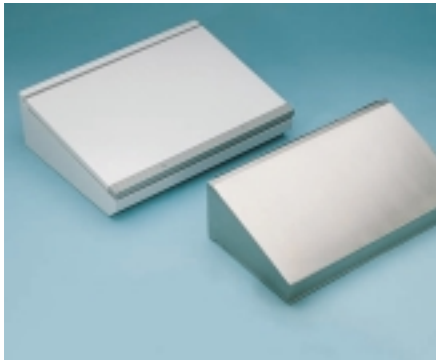
PROLINE® Sloped Top OI Enclosure System

Accessory Front Options



A variety of keyboard shelves and compartments, control compartments, and writing surfaces accommodate any input device your application specifies—"full travel" or membrane keyboards, mouse devices, pushbuttons, or switches. Keyboard or control compartment options, when fitted to a PROLINE® sloped top operator interface enclosure with accessory front, make it exceptionally easy to design a unique and flexible OI enclosure system.

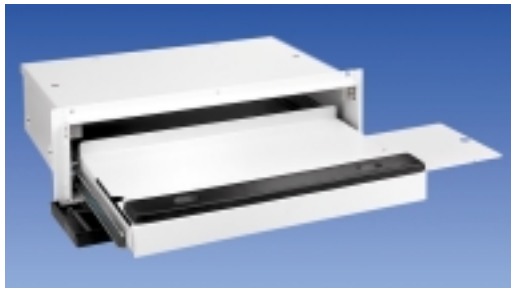




Accessory Front Options

A variety of keyboard compartments and shelves, control compartments, and writing surfaces is available in steel finished with RAL 7035 light gray polyester powder paint or Type 304 stainless steel. Each one is designed to fit into the accessory front opening of the PROLINE® OI sloped top. An access cover is available for applications not requiring a keyboard or controls.

An integrated elastomer keyboard/mouse combination is available on some models of the keyboard shelf accessory. The keyboard has 101 keys. Supplied cables are compatible with AT and PS/2 connections. See Chapter 1, Modular Enclosure Systems, for keyboard accessory dimensions.



Access Covers	Description	Fits
PCS6	Steel	600
PCSA6SS	Stainless steel	600
PCS8	Steel	800
PCSA8SS	Stainless steel	800

Console Compartment	Description	Fits
PCC6	Steel	600
PCDS6SS	Stainless steel	600
PCC8	Steel	800
PCDS8SS	Stainless steel	800

20° Control Compartments	Description	Fits
PC20A6	Steel	600
PCDS6SS	Stainless steel	600
PC20A8	Steel	800
PC20A8SS	Stainless steel	800

Keyboard Compartments	Description	Fits
PKBC6R	Steel	600
PKBC8R	Steel	800

Keyboard Shelves	Description	Fits
PKBS6	Steel	600
PKBS8	Steel	800

Keyboard Shelves with Integrated Keyboard/Mouse	Description	Fits
PEKBM6C	Steel with keyboard	600
PEKBM6SS	Stainless steel with keyboard	600

Internal and External Accessories

Numerous accessories are available for mounting equipment inside PROLINE® frames and sloped tops. These include panels, shelves, and rack mounting accessories. There are also external accessories such as door handles and base options. A summary list follows. For more detailed information on each of these products see the indexes to Modular Enclosure Systems, Chapter 1, and General Accessories, Chapter 12.

- Full Subpanel
- Partial Subpanel
- Side-Mounting Kit for Subpanels
- Swing-Out Panel Mounting Kit
- Frame Shelves
- Frame Brackets
- Panel Interface Connector
- Grounding Bar System
- Grid System
- Rack Angles
- Accessories for Rack Angles
- Base Accessories
- Door Accessories
- Legs
- Casters


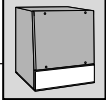
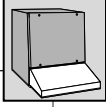



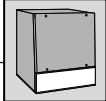
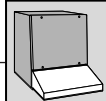
A Pentair Company

PROLINE® Sloped Top OI Enclosure System

Selection Matrix: Accessory Front Options

Component Selection Matrix Accessory Front Options

 <p>Sloped Top with Accessory Front</p>			Keyboard and Control Compartments			
						
A	B	C	Access Cover (Steel)	Access Cover (Stainless Steel)	20° Control Compartment (Steel)	20° Control Compartment (Stainless Steel)
500A	600	600	PCS6	PCSA6SS	PC20A6	PC20A6SS
500A	800	600	PCS8	PCSA8SS	PC20A8	PC20A8SS
700A	600	600	PCS6	PCSA6SS	PC20A6	PC20A6SS
700A	800	600	PCS8	PCSA8SS	PC20A8	PC20A8SS

 <p>1200mm Sloped Top with Accessory Front</p>			Keyboard and Control Compartments ^a			
						
A	B	C	Access Cover (Steel)	Access Cover (Stainless Steel)	20° Control Compartment (Steel)	20° Control Compartment (Stainless Steel)
500A	1200	600	PCS6	PCSA6SS	PC20A6	PC20A6SS
700A	1200	600	PCS6	PCSA6SS	PC20A6	PC20A6SS

^a Select any two 600mm front options.



Keyboard and Control Compartments					Sloped Top with Accessory Front		
Keyboard Shelf with Integrated Keyboard	Keyboard Shelf	Keyboard Compartment	Consolet Compartment (Steel)	Consolet Compartment (Stainless Steel)			
PEKBMC6 or PEKBMC6SS	PKBS6 PKBS8	PKBC6R PKBC8R	PCC6 PCC8	PCDS6SS PCDS8SS	500A	600	600
PEKBMC6 or PEKBMC6SS	PKBS6 PKBS8	PKBC6R PKBC8R	PCC6 PCC8	PCDS6SS PCDS8SS	700A	600	600

Keyboard and Control Compartments ^a					1200mm Sloped Top with Accessory Front		
Keyboard Shelf with Integrated Keyboard	Keyboard Shelf	Keyboard Compartment	Consolet Compartment (Steel)	Consolet Compartment (Stainless Steel)			
PEKBMC6 or PEKBMC6SS	PKBS6	PKBC6R	PCC6	PCDS6SS	500A	1200	600
PEKBMC6 or PEKBMC6SS	PKBS6	PKBC8R	PCC6	PCDS6SS	700A	1200	600

^a Select any two 600mm front options.



Mounting Options for Operator Interface Enclosures

Mounting Options that match the application.

When selecting mounting options for operator interface and machine control applications, you must take into consideration the following: the operator, the facility size and layout, the flexibility required for moving or repositioning the equipment, and the peripheral equipment required. Hoffman offers a wide range of off-the-shelf mounting choices, from pendant arm systems with exceptional load-bearing capabilities to uniquely flexible frame base and pedestal systems, all designed to simplify the job of correctly matching the equipment to the application.



The **COMPACT® Series 1 Pendant Arm system** is sized to fit our **INLINE®** Operator Interface enclosures as well as **CCI** enclosures for flat screen and other small displays. The Series 1 Pendant Arm system allows convenient operator access to machine controls. Despite their light weight, Series 1 components are designed to support a variety of load weights. Heavy-duty bearings in all movable joints enhance durability and make operation smooth and convenient.

Pedestals for mounting operator interface enclosures are available in two heights and in bolt-down or leg styles. Pedestal mounting options include a swivel tilt mechanism that rotates 350 degrees and tilts ± 30 degrees from the horizontal. A tilt lock-release knob allows quick incremental adjustments.

Pedestal mounting of a PROLINE® sloped top enclosure provides convenient operator access in a seated or standing position. An optional swivel mechanism allows 350-degree rotation. Other options include an angle adapter that provides a fixed tilt of 15 degrees.



COMPACT® Series 2 and Series 4

Pendant Arm systems are available in sizes appropriate for light to heavy loads. A variety of standard tube lengths, brackets, joints, and couplings combine to create a wide variety of configurations.

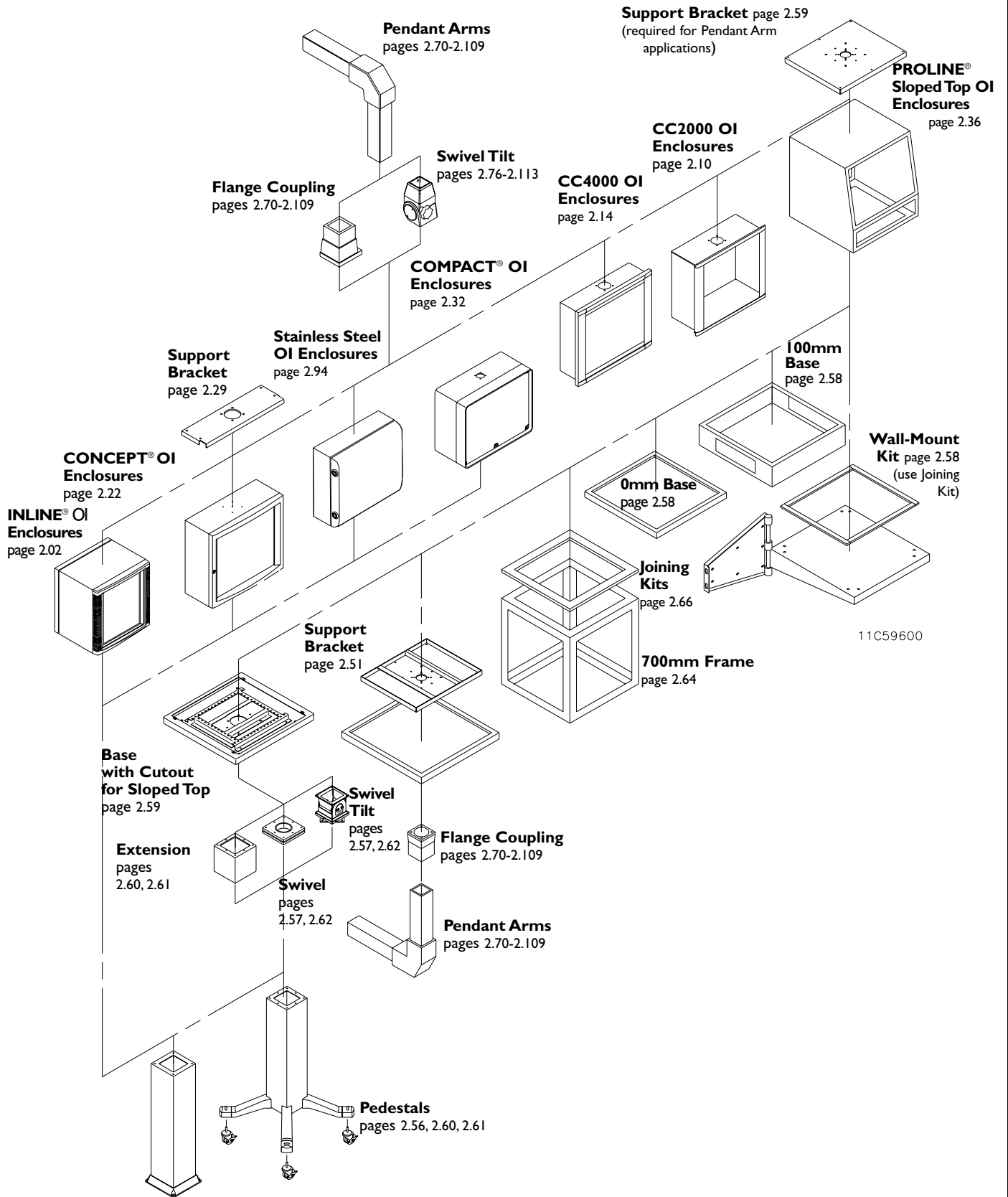
COMPACT® CCI Operator Interface enclosures can be mounted from above or below with **COMPACT®** pendant arms. Pedestal mounting is also an option.

The modular design of the **COMPACT® pendant mounting system** provides design flexibility for both new and retrofit applications requiring substantial weight-bearing capability. Pendant arms are easily mounted to a machine, wall, or floor, and can suspend an enclosure from above or support it from below.

The modular stainless steel **CS480 and CS600 pendant mounting systems** are particularly well-suited to the food and pharmaceutical industries. They can be used with most stainless steel operator interfaces. In addition, the system includes its own set of front door enclosures.

Any sloped top can be mounted to a **700mm-tall frame base** to provide additional space for rack, subpanel, or grid system mounted equipment. The frame base is completed by adding doors, covers, and base components.





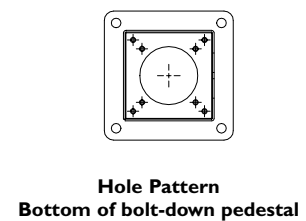
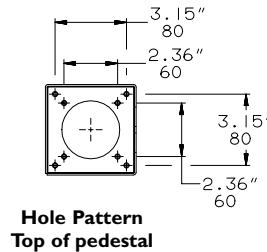
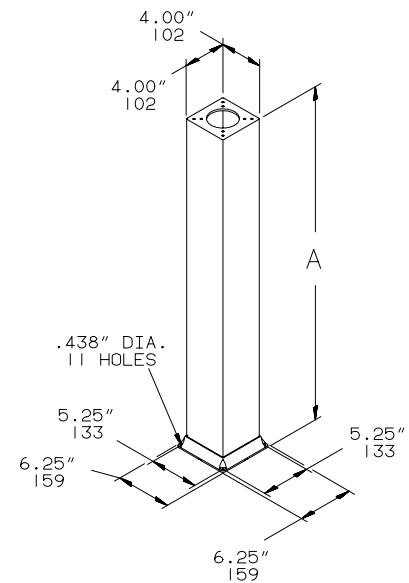
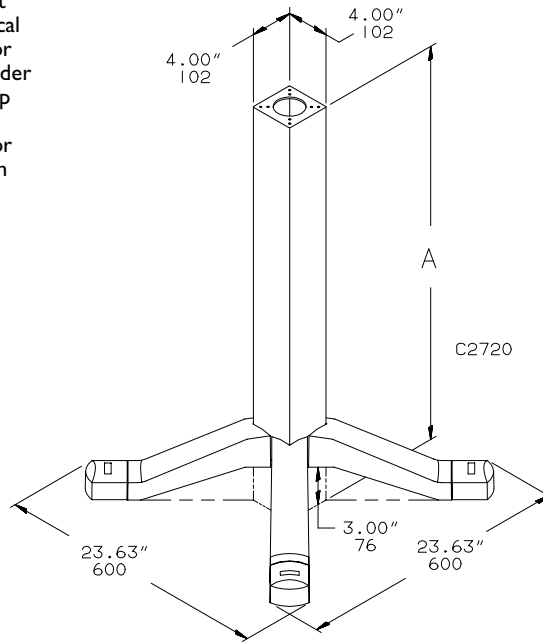


Mounting Options Pedestals and Pedestal Accessories for INLINE® OI and CONCEPT® OI Enclosures

Pedestals

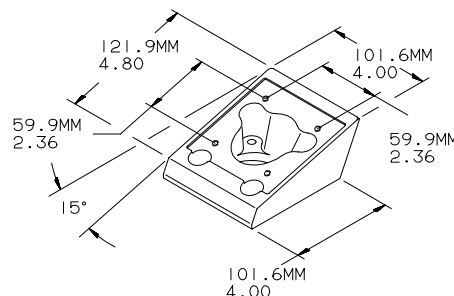
Pedestals with legs and bolt-down pedestals are available in two heights. Vertical tube has rigid one-piece construction. Bottom of tube is open. Pedestal with legs has four sturdy die-cast legs that bolt to tube. Legs have holes for bolting pedestal to the floor. Legs are furnished with levelers and will accept casters in limited applications. Heavy-duty black polymer caps fit on ends of legs to cover bolts or levelers. Bolt-down pedestal has rigid cast aluminum base flange that bolts to the vertical tube. Pedestals have ANSI 61 medium gray or RAL 7035 textured light gray polyester powder paint finish. Tapped mounting holes in the top of pedestals allow attachment to operator interface enclosure or to swivel, swivel tilt, or angle adapter. Hardware and gasket to attach enclosure are included.

Catalog Number	ANSI 61	RAL 7035	Description	A
AP36L44	AP36L44LG		With legs (914)	36.00
AP26L44	AP26L44LG		With legs (660)	26.00
AP33B44	AP33B44LG		Bolt-down (838)	33.00
AP23B44	AP23B44LG		Bolt-down (584)	23.00



Angle Adapter

Angle adapter fits top of pedestal and provides a fixed tilt of 15 degrees from horizontal for enclosure mounting. Angle adapter is cast aluminum with large cable opening. Finish is clear anodized aluminum. Mounting hardware is included.



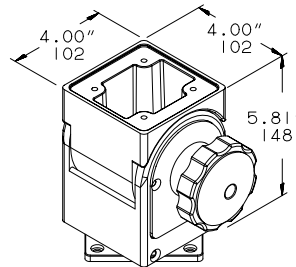
Catalog Number
AAA1544

Swivel Tilt

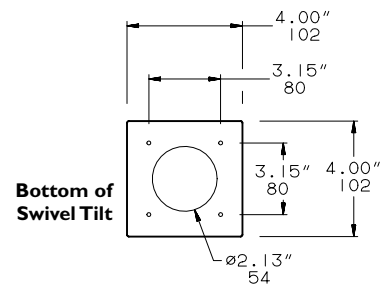
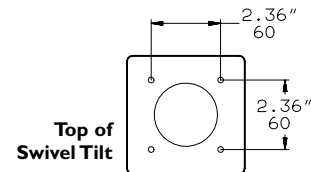
The combined swivel and tilt mechanism allows rotation *and* tilt of an operator interface enclosure for optimum viewing and safe operation. The swivel tilt is positioned between the operator interface enclosure and pedestal (enclosure reinforcement may be required).

Do not use the swivel tilt between an overhead support and an enclosure.

Maximum swivel rotation: 350 degrees.
Maximum tilt: ±30 degrees from horizontal.
Large tilt lock release knob allows quick incremental adjustment. Swivel mechanism can be locked in any position. Easy installation on pedestals of top mount. Large center opening accommodates control cables with plugs. Cast aluminum with anodized finish. Mounting hardware and gaskets are furnished.



Catalog Number
AST44

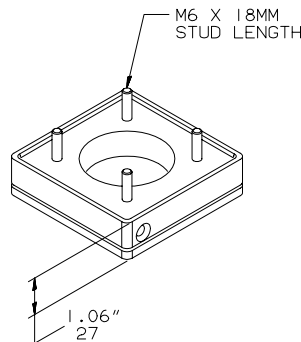


Swivel

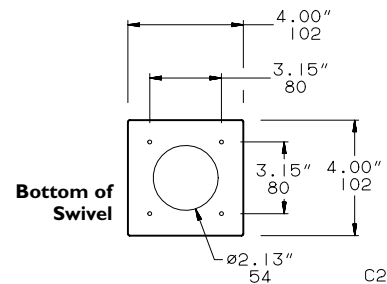
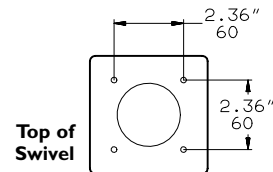
A swivel mechanism can be used to allow a machine operator a way to easily rotate an operator interface enclosure to a convenient operating position. Maximum rotation is 350 degrees. The low profile swivel has a large center opening in addition to a large, wobble-free bearing surface. The swivel mechanism can be locked in any position and can be used for mounting from below the operator interface enclosure. The swivel fits top of pedestal.

Do not use the swivel between an overhead support and an enclosure.

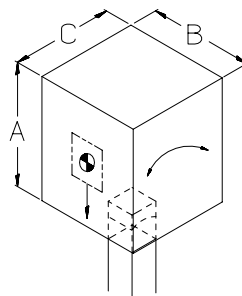
The swivel is cast aluminum with an anodized finish. Mounting hardware and gaskets are furnished.



Catalog Number
ASWV44



■ **Swivel and Swivel Tilt Loading**



Catalog Number	Swivel and Swivel Tilt Loading Maximum Enclosure Size A x B x C	Maximum Load Including Enclosure
AST44 (4x4 Swivel Tilt)	24.00 x 24.00 x 16.00 (610 x 610 x 406)	75 lbs.
ASWV44 (4x4 Swivel)	24.00 x 24.00 x 16.00 (610 x 610 x 406)	100 lbs.

The loads listed above assume that the additional load is centered on the front or back of the enclosure. Please contact Hoffman for specific application information.



Mounting Options

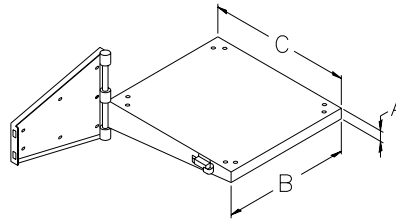
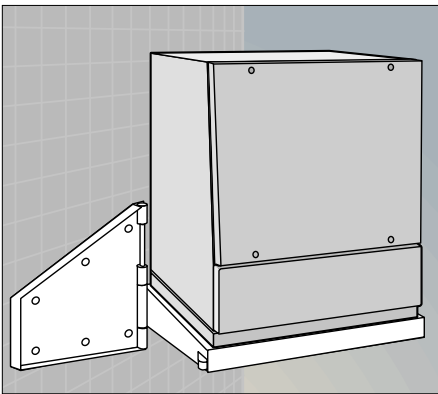
Bases for PROLINE® Sloped Top OI Enclosure System



PROLINE® Wall-Mount Kit

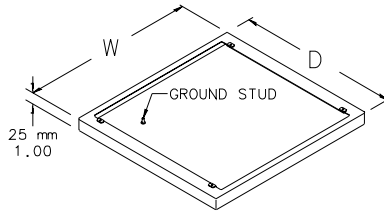
Hinged platform for a PROLINE® sloped top enclosure pivots 90 degrees from wall bracket, thus allowing complete access to rear of the sloped top enclosure. The kit can be installed to pivot left or right, and locks securely in position against a wall. Pivot pin is removable. Platform can support equipment weighing up to 300 pounds and includes holes to mount 600mm wide sloped tops in two positions. RAL 7035 textured light gray polyester powder paint finish. Includes top unit to frame joining kit, catalog number PJSTF6, to provide a watertight and dust-tight seal to the sloped top.

Catalog Number	Description	A	B	C
PWMK66	Steel	2.00 (51)	24.00 (610)	26.88 (683)



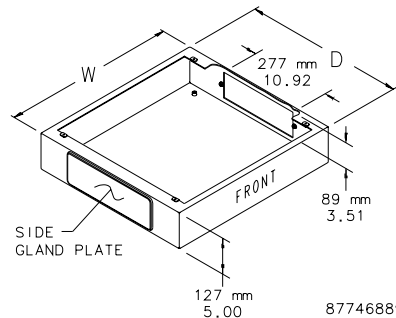
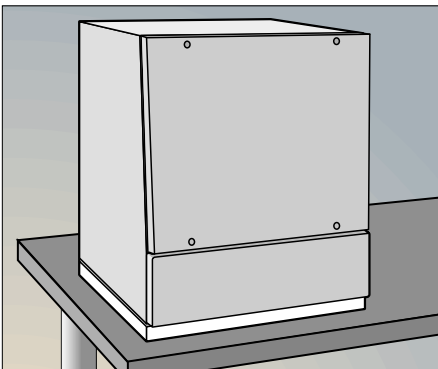
Base for PROLINE® Sloped Top

Closes off open bottom of sloped top enclosures that are table-top mounted or suspended from overhead. Base is 14 gauge steel and has a ground stud provided. Foam-in-place gasket assures a watertight and dust-tight seal. RAL 7035 textured light gray polyester powder paint finish. A top support bracket can be installed inside a 600mm wide base for reinforcement when COMPACT® pendant arm Series 4 System 50, 60, or 80 is attached from below.



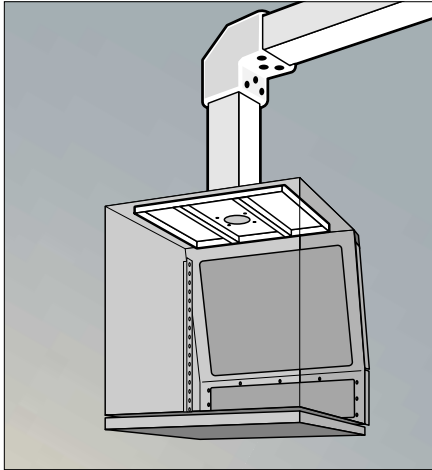
Omm Base			
Catalog Number	Description	D	W
PBS66	Steel	542 (21.33)	608 (23.94)
PBS66SS	Stainless steel	542 (21.33)	608 (23.94)
PBS86	Steel	542 (21.33)	808 (31.81)
PBS126	Steel	542 (21.33)	1208 (47.56)

Inch dimensions in ().



100 mm Base			
Catalog Number	Description	D	W
PB166	Steel	559 (22.01)	599 (23.58)
PB166SS	Stainless steel	559 (22.01)	599 (23.58)
PB186	Steel	759 (29.88)	599 (23.58)
PB186SS	Stainless steel	759 (29.88)	599 (23.58)

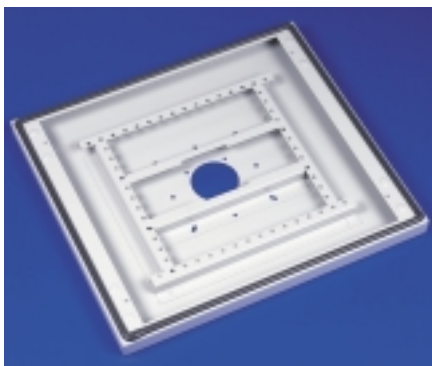
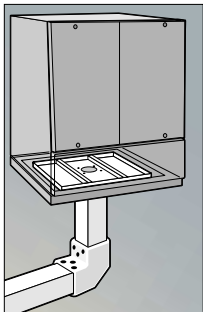
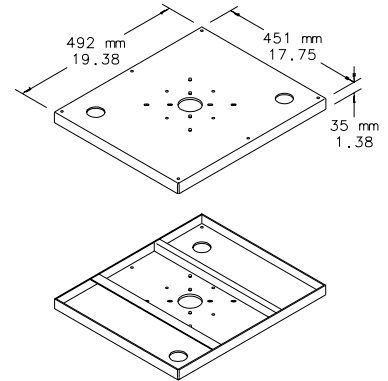
Inch dimensions in ().



Support Bracket

A support bracket is required when suspending a 600mm wide sloped top enclosure from above. The rigid bracket mounts inside the enclosure to stiffen its top. Bracket has prepunched holes to fit COMPACT® pendant arm Series 4 Systems 50, 60, 80, and 80/140 flange couplings as well as swivel tilts. Bracket is used as a template to drill holes in sloped top. Bracket is .125-inch-thick aluminum and is furnished with mounting bolts and seals. A support bracket can also be used inside a base for Series 4 System 50, 60, 80, or 80/140 sloped tops when mounting from below.

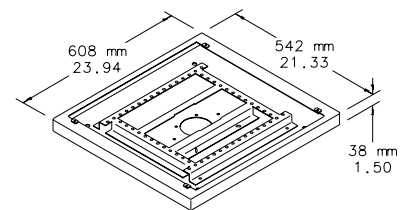
Catalog Number	Description
PTS66	Support Bracket



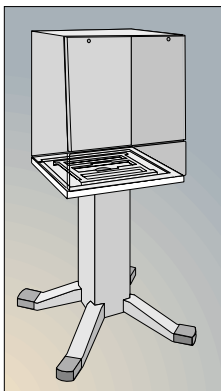
Base with Cutout for PROLINE® Sloped Top

Closes off open bottom of sloped top enclosures. Also fits Series 4 Pendant Arm Flange Coupling Systems 80 and 80/140. The 14 gauge steel base has a stiffener framework attached to the inside and mounting holes that provide a rigid mounting means for 8.00 x 8.00 pedestal, pedestal extension, swivel tilt, or angle adapter. Base has foam-in-place gasket and RAL 7035 textured light gray polyester powder paint finish. Mounting hardware is furnished.

Catalog Number	Description
PBSK66	Steel
PBSK66SS	Stainless steel



87746890





A Pentair Company

Mounting Options

Pedestals and Pedestal Accessories for Sloped Top OI Enclosures

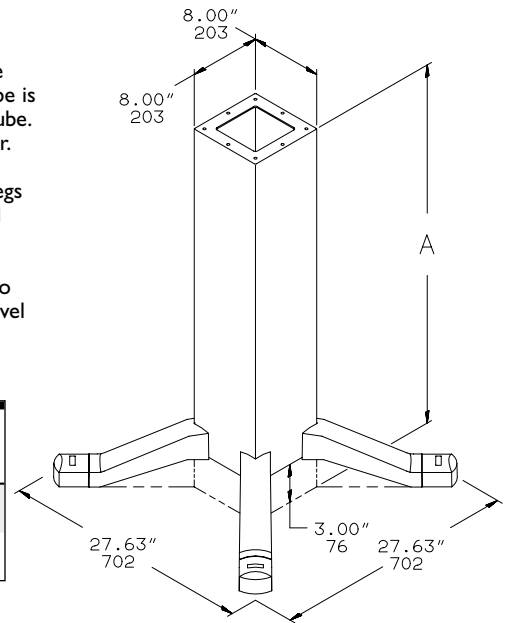


Pedestal with Legs

Pedestal is available in two heights. Vertical tube has rigid one-piece construction. Bottom of tube is open. Four sturdy die-cast legs bolt to vertical tube. Legs have holes for bolting pedestal to the floor. Legs will accept casters in limited applications. Heavy duty black polymer caps fit on ends of legs to cover bolts or levelers. Pedestal has ANSI 61 medium gray or RAL 7035 textured light gray polyester powder paint finish. Tapped mounting holes in the top of pedestal allow attachment to operator interface base with cutout, swivel, swivel tilt, or angle adapter. Hardware and gasket to attach enclosure are included.

ANSI 61 Catalog Number	RAL 7035 Catalog Number	Description	A
AP36L88	AP36L88LG	Steel	36.00 (914)
AP26L88	AP26L88LG	Steel	26.00 (660)

Millimeter dimensions () are for reference only; do not convert metric dimensions to inch.

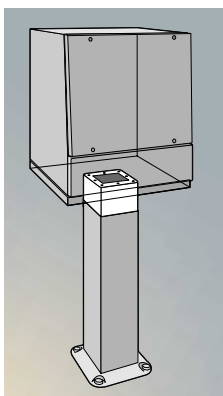
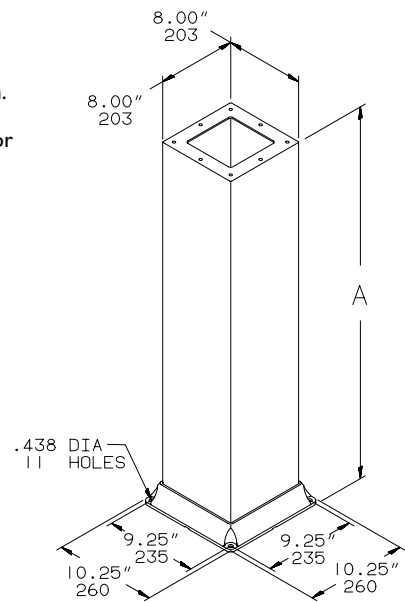


Bolt-Down Pedestal

Bolt-down pedestal is available in two heights. The vertical tube has rigid one-piece construction. Rigid cast aluminum base flanges bolt to the vertical tube. Pedestal has ANSI 61 medium gray or RAL 7035 textured light gray polyester powder paint finish. Tapped mounting holes in the top of pedestal allow attachment to operator interface base with cutout, swivel, swivel tilt, or angle adapter. Hardware and gasket to attach enclosure are included.

ANSI 61 Catalog Number	RAL 7035 Catalog Number	Description	A
AP33B88	AP33B88LG	Steel	33.00 (838)
AP23B88	AP23B88LG	Steel	23.00 (584)

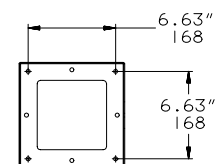
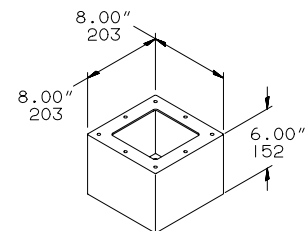
Millimeter dimensions () are for reference only; do not convert metric dimensions to inch.



Extension

Pedestal extension can be used with pedestals to provide additional 6 inches (152mm) of height for standing position. ANSI 61 medium gray polyester powder paint or RAL7035 textured light gray polyester powder paint.

ANSI 61 Catalog Number	RAL 7035 Catalog Number	Description
APE688	APE688LG	Steel



Hole Pattern

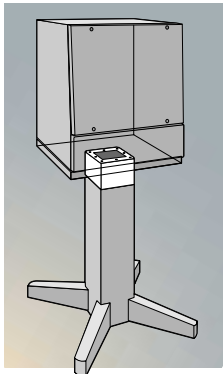
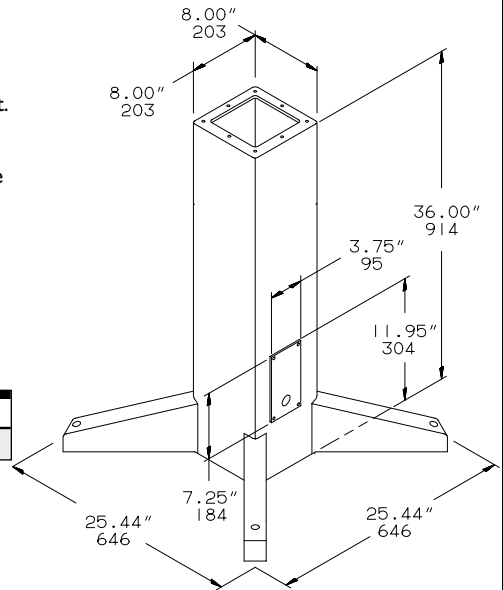
C2722



Stainless Steel Pedestal

Pedestal is 36 inches (914mm) tall and provides optimal viewing and operating height. Tube is 14 gauge Type 304 one-piece construction. Legs are 7 gauge Type 304 for rigidity. Cable access plate and leg levelers are included. Leg levelers can be removed for anchoring pedestal to floor. Pedestal has smooth vertical brushed finish. (NOTE: Pedestal will accept pedestal accessories that are not stainless steel. These include swivel tilt, swivel, and angle adapters.)

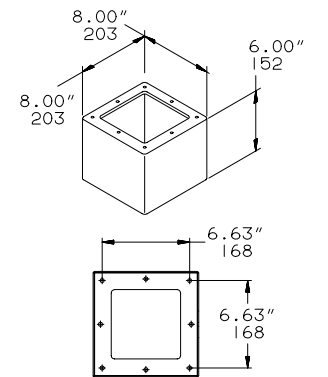
Catalog Number	Description
AP36SS	Stainless steel



Stainless Steel Extension

Pedestal extension can be ordered separately to provide additional 6 inches (152mm) of height for standing position. Extension is 14 gauge Type 304 stainless steel with a smooth brushed finish. (NOTE: Extension will accept pedestal accessories that are not stainless steel. These include swivel tilt, swivel, and angle adapters.)

Catalog Number	Description
APE6SS	Stainless steel



Hole Pattern C2703-1

Selection Matrix Pedestals and Pedestal Accessories	PST466	PST566	PST766	PST766SS	PST786	PST7A126	PST5A66	PST5A66SS	PST5A66	PST5A126	PST7A66	PST7A66SS	PST7A66	PST7A126
	400	500	700	700	700	700A	500A	500A	500A	500A	700A	700A	700A	700A

Pedestal with Legs^a

AP36L88 or AP36L88LG	●	●	●	●	NR	NR	●	●	NR	NR	●	●	NR	NR
AP26L88 or AP26L88LG	●	●	●	●	NR	NR	●	●	NR	NR	●	●	NR	NR

Bolt-Down Pedestal^a

AP33B88 or AP33B88LG	●	●	●	●	NR	b	●	●	NR	b	●	●	NR	b
AP23B88 or AP23B88LG	●	●	●	●	NR	b	●	●	NR	b	●	●	NR	b

Stainless Steel Pedestal^a

AP36SS	●	●	●	●	NR	NR	●	●	NR	NR	●	●	NR	NR
--------	---	---	---	---	----	----	---	---	----	----	---	---	----	----

Pedestal Accessories^a

ASW88	●	●	●	●	NR		●	●	NR		●	●		
AST88	●	●	●	●	NR		●	●	NR		●	●		
AAA1588	●	●	●	●	NR	NR	●	●	NR	NR	●	●		NR
APE688 OR APE688LG	●	●	●	●	NR	NR	●	●	NR	NR	●	●		NR
APE6SS	●	●	●	●	NR	NR	●	●	NR	NR	●	●		NR

^a Pedestals and pedestal accessories are designed to be used with PBSK66 or PBSK66SS bases.

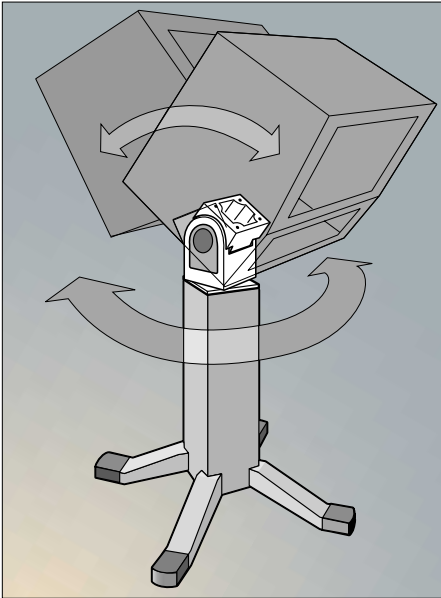
^b Two bolt-down pedestals can be used to support 1200m wide sloped tops.

NR Not recommended.



Mounting Options

Pedestals and Pedestal Accessories for Sloped Top OI Enclosures

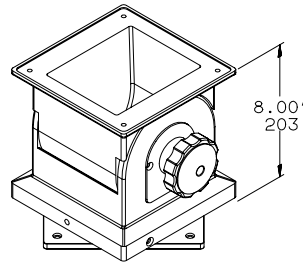


Swivel Tilt

The use of a combination swivel and tilt mechanism allows a machine operator to rotate and also tilt an operator interface enclosure for optimum viewing and safe operation. The swivel tilt is designed for use between the bottom of an operator interface enclosure and a pedestal (enclosure reinforcement may be required).

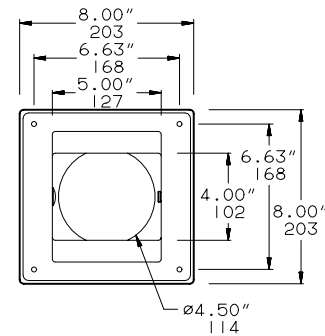
Do not use the swivel tilt between an overhead support and an enclosure.

The swivel feature allows maximum rotation of 350 degrees. Integral stops are provided at 30-degree increments between 60 degrees and 180 degrees of rotation. Swivel can be locked in any position.



The tilt feature allows forward and backward movement up to 30 degrees from horizontal. The tilt lock has a large release knob that allows quick incremental adjustment. Top and bottom flanges allow easy installation on pedestals. A large center opening accommodates control cables that have attached plugs. The swivel tilt is cast aluminum with an anodized finish. Mounting hardware and gaskets are furnished.

Catalog Number
AST88



Hole Pattern



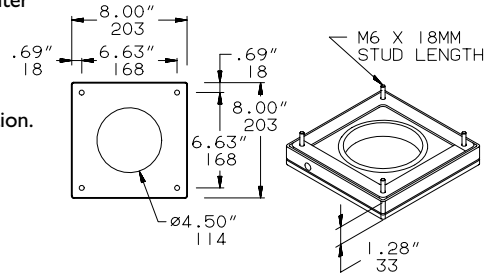
Swivel

A swivel mechanism can be used to allow a machine operator a way to easily rotate an operator interface enclosure to a convenient operating position. Maximum rotation is 350 degrees. The low profile swivel has a large center opening in addition to a large, wobble-free bearing surface. Integral stops are provided at 30-degree increments between 60 degrees and 180 degrees of rotation. Swivel mechanism can be locked in any position. The swivel mechanism is designed for use between the bottom of an operator interface enclosure and a pedestal.

Do not use the swivel between an overhead support and an enclosure.

The swivel is cast aluminum with an anodized finish. Mounting hardware and gaskets are furnished.

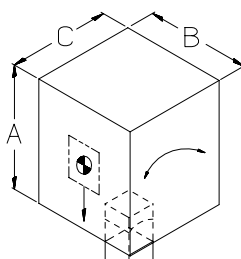
Catalog Number
ASWV88



Hole Pattern

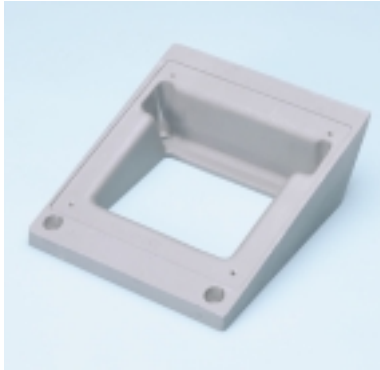
C2705

Swivel and Swivel Tilt Loading



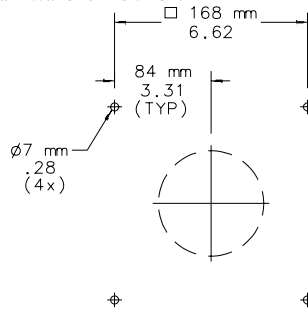
Catalog Number	Swivel and Swivel Tilt Loading Maximum Enclosure Size A x B x C	Maximum Load Including Enclosure
AST88 (8x8 Swivel Tilt)	33.00 x 24.00 x 24.00 (838 x 610 x 610)	150 lbs.
ASWV88 (8x8 Swivel)	33.00 x 24.00 x 24.00 (838 x 610 x 610)	200 lbs.

The loads listed above assume that the additional load is centered on the front or back of the enclosure. Please contact Hoffman for specific application information.

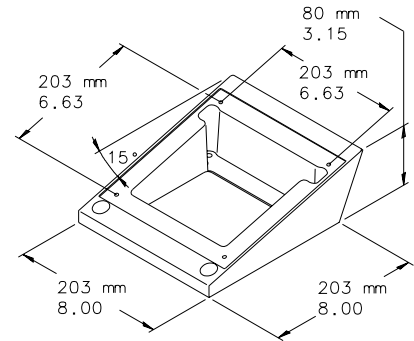


Angle Adapter

Angle adapter fits top of pedestal and provides a fixed tilt of 15 degrees from horizontal for enclosure mounting. Angle adapter is aluminum with large cable opening. Finish is clear anodized aluminum. Mounting hardware is included.



Catalog Number
AAA1588



C2704



Handles

Handles attach to sides, top, or bottom of sloped top to provide maximum operator control when using the suspension system, swivel or swivel tilt. Handle length is 9.75 inches. Location dimples on the sides of sloped tops indicate drill hole location for standard mounting. Handles attach inside enclosure.

Catalog Number	Description
PUHK	(2) die-cast aluminum handles
PUHKA	(2) tubular steel handles with soft coating



Caster Kits

Castors can be used on pedestals in limited applications. They are fitted to the die-cast legs of steel pedestals. Castors are also available for stainless steel pedestals. Four dual-wheel casters replace furnished levelers. (See chart for specific application.)

Stainless Steel Legs

Legs can be mounted to sloped tops with a solid base. The legs raise the sloped top 4 inches (100mm) off the floor. The legs are appropriate for hose-down applications. Mounting hardware is included.

Catalog Number	Description
PLEGSS	(4) Stainless steel legs

Catalog Number	Description	H ^b	Wheel Dia.	Load Rating Ea.
AC4M6SV ^a	(2) casters, swivel type with brakes for steel pedestals	3.72 (94)	3.00 (76)	210 lb. (95 kg.)
EMRCK	(4) casters, swivel non-locking for steel pedestals	2.76 (70)	1.97 (50)	132 lb. (60 kg.)
XC1M10	(4) casters, swivel type with brakes for stainless steel pedestals	4.00 (102)	3.00 (76)	350 lb. (158 kg.)

^a Two sets of casters are required.
^b Height of caster when installed.



A Pentair Company

Mounting Options

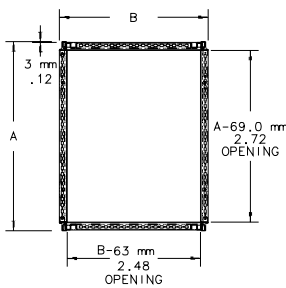
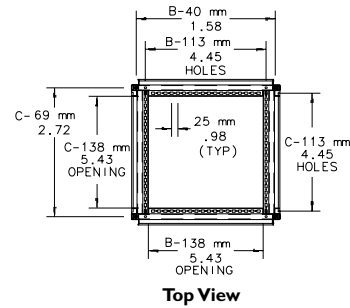
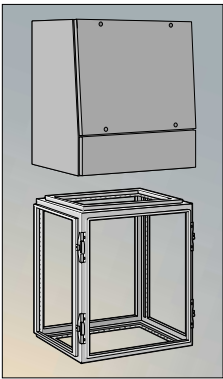
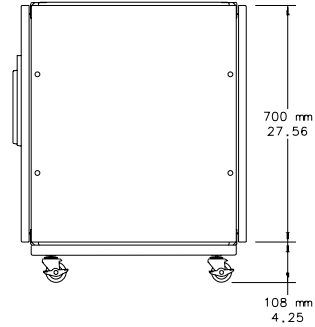
Frame Base for PROLINE® Sloped Top OI Enclosures



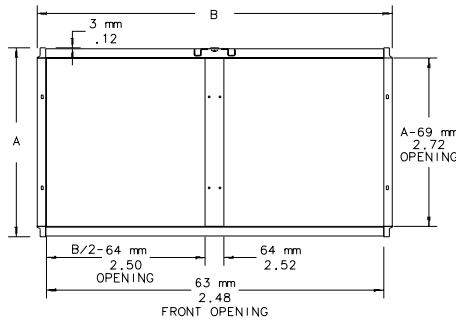
PROLINE® Frame

Frames are 700mm tall and are sized to allow sloped tops to be installed on top and other equipment below, thus configuring a console suitable for sitting or standing operators. The frame provides joining capability and means for rack, subpanel, or grid system mounting of any type of equipment inside. Frames are available 600, 800, and 1200mm wide to fit 600, 800, and 1200mm wide sloped tops. All frames have two latch/hinge blocks per vertical unit. Requires appropriate frame joining kit. Finish is RAL 7035 textured light gray polyester powder paint. See Chapter 1, Modular Enclosure Systems, for additional frame sizes.

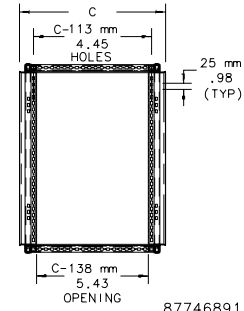
NOTE: A 1200mm wide sloped top will accommodate two 600mm wide frames only if frame joining kit PJ2FW7 is used.



600mm/800mm wide Frame



1200mm wide Frame



Side View

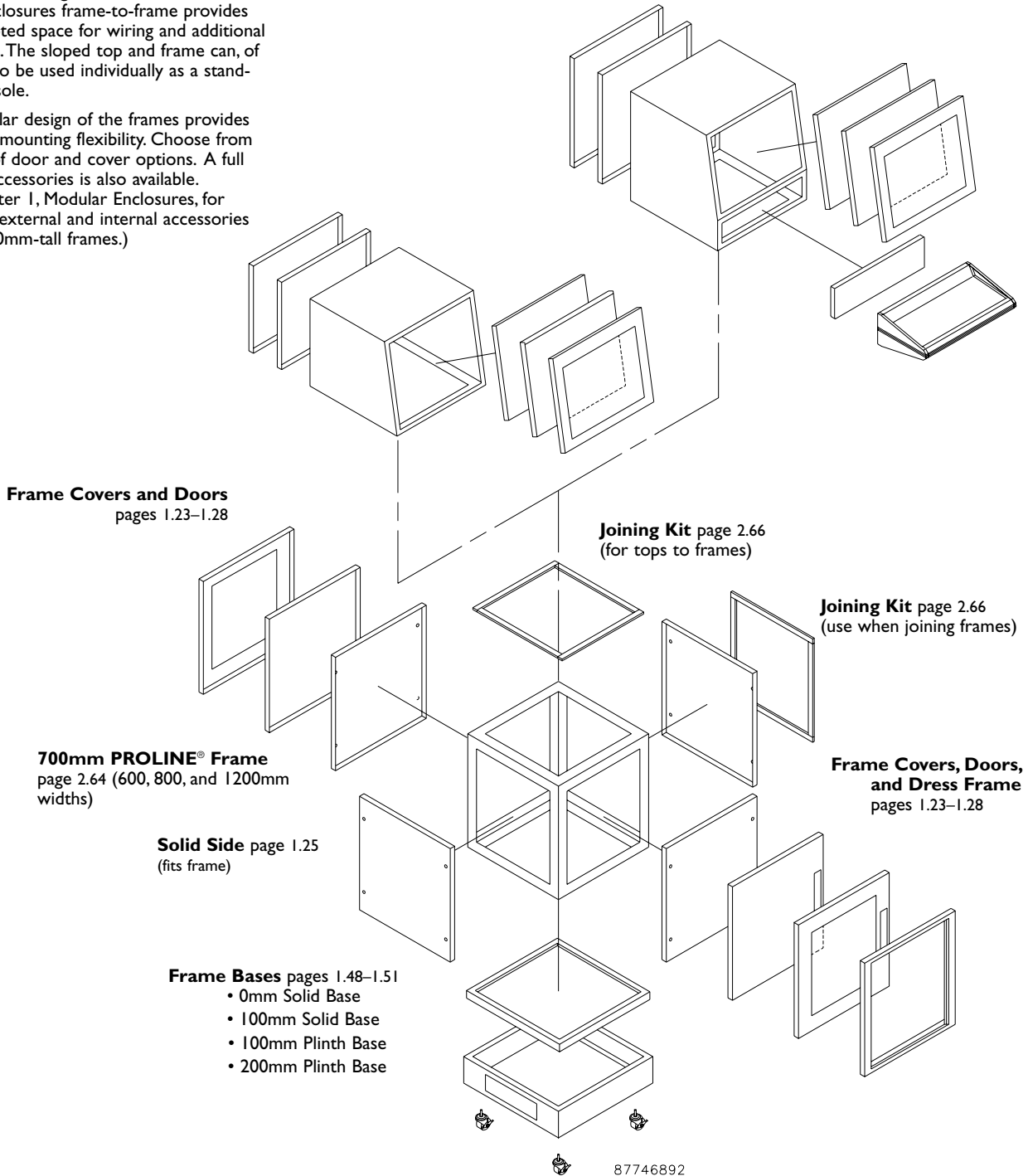
Frame Catalog Number	Nominal Frame Size A x B x C millimeter	Maximum Subpanel Size mm (inch)	Maximum Rack Mounting Space	A mm (inch)	B mm (inch)	C mm (inch)
PF766 or PF766HF	700 x 600 x 600	585 x 530 (23.03 x 20.87)	13U	680 (26.77)	599 (23.58)	588 (23.15)
PF786 or PF786HF	700 x 800 x 600	585 x 530 (23.03 x 20.87)	13U	680 (26.77)	799 (31.46)	588 (23.15)
PF7126	700 x 1200 x 600	585 x 1130 (23.03 x 44.49)	13U x 2	680 (26.77)	1199 (47.20)	588 (23.15)

Inch dimensions in ().



When used in conjunction with sloped tops, PROLINE® frames provide an excellent solution for configuring and joining multiple consoles into a large control installation. Joining enclosures frame-to-frame provides uninterrupted space for wiring and additional equipment. The sloped top and frame can, of course, also be used individually as a stand-alone console.

The modular design of the frames provides maximum mounting flexibility. Choose from a variety of door and cover options. A full range of accessories is also available. (See Chapter I, Modular Enclosures, for additional external and internal accessories that fit 700mm-tall frames.)





A Pentair Company

Mounting Options

Frame Base for PROLINE® Sloped Top OI Enclosures



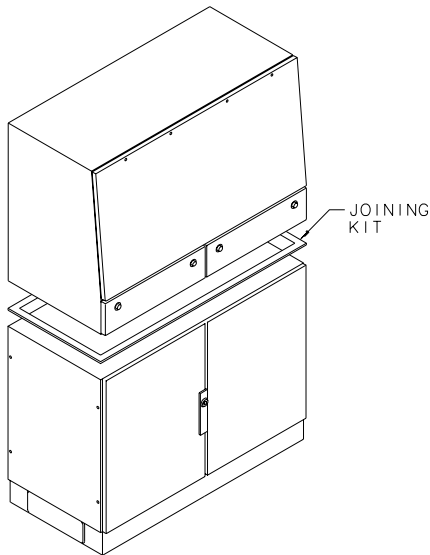
PROLINE® Joining Kits

Joining kits permit joining two 700mm frames while maintaining an environmental seal. Joining kit for side-to-side applications (PJ2FW7) fits on either side of the frame.

Top-to-frame joining kits allow sloped tops to be attached to 700mm PROLINE® frames or to wall-mount kit. Kits available for one sloped top and one frame, or one 1200mm wide sloped top on two joined frames. Kits include gasket and mounting hardware.

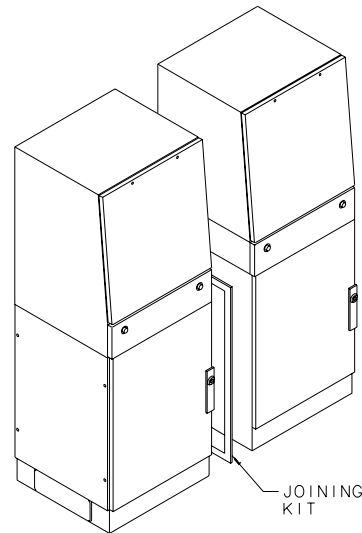
Catalog Number	Description
PJ2FW7	Joins frames side-to-side under OI sloped tops
PJSTF6	Joins OI sloped top to 600 x 600 frame
PJSTF8	Joins OI sloped top to 800 x 600 frame
PJSTF12	Joins OI sloped top to 1200 x 600 frame

■ Joining Kit for top-to-frame (PJSTF_)



87746893

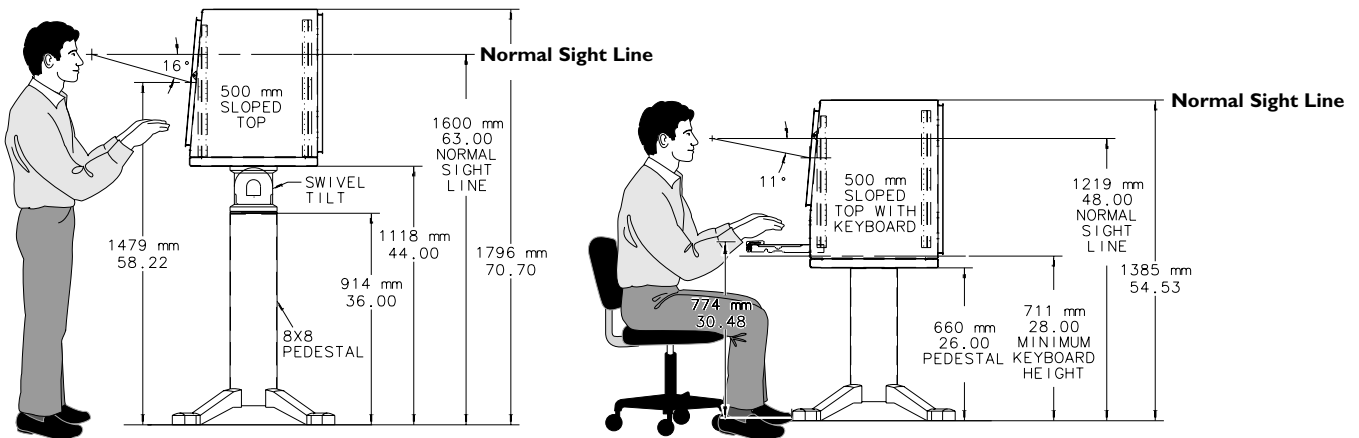
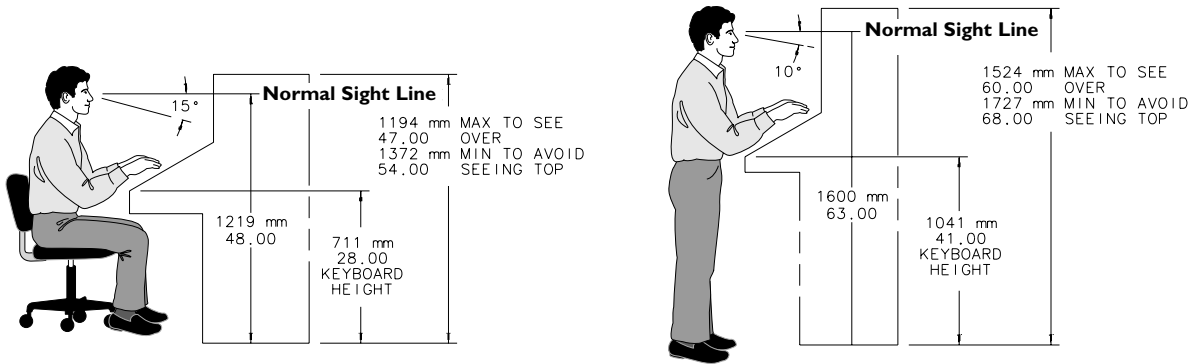
■ Joining Kit for side-to-side (PJ2FW7)





Ergonomic Design

For ordering the operator interface enclosure and accessories that provide optimum ergonomic design for your operators, we developed the Ergonomics Reference Guide below. By knowing the height of each piece that is part of the Operator Interface Enclosure System, you can design a workstation that provides optimum effectiveness and safety for your operators. The adjustable keyboard and swivel/tilt accessories provide additional ergonomic solutions.



87746894


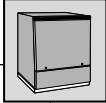
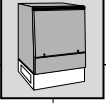
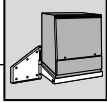
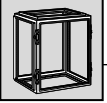




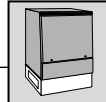
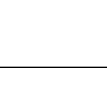

A Pentair Company



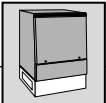
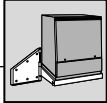
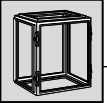
Mounting Options


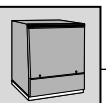
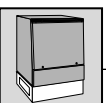
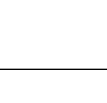
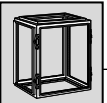
Selection Matrix: PROLINE® OI Enclosures

Component Selection Matrix Mounting Options

								
Sloped Top			Solid Base, 0mm (Steel)	Solid Base, 0mm (Stainless Steel)	Solid Base, 100mm (Steel)	Solid Base, 100mm (Stainless Steel)	Wall-Mount Kit	700mm Frame
A	B	C						
400	600	600	PBS66	PBS66SS	PB166	PB166SS	PWMK66	PF766
500	600	600	PBS66	PBS66SS	PB166	PB166SS	PWMK66	PF766
700	600	600	PBS66	PBS66SS	PB166	PB166SS	PWMK66	PF766
700	800	600	PBS86		PB186	PB186SS		XF786

								
Double Wide Sloped Top			Solid Base, 0mm (Steel)	Solid Base, 0mm (Stainless Steel)	Solid Base, 100mm (Steel)	Solid Base, 100mm (Stainless Steel)	Wall-Mount Kit	700mm Frame
A	B	C						
700	1200	600	PBS66 ^a	PBS66SS ^a	PB166 ^a	PB166SS ^a		PF766 ^a or PF7126

								
Sloped Top with Accessory Front			Solid Base, 0mm (Steel)	Solid Base, 0mm (Stainless Steel)	Solid Base, 100mm (Steel)	Solid Base, 100mm (Stainless Steel)	Wall-Mount Kit	700mm Frame
A	B	C						
500A	600	600	PBS66	PBS66SS	PB166	PB166SS	PWMK66	PF766
500A	800	600	PBS86		PB186	PB186SS		PF786
700A	600	600	PBS66	PBS66SS	PB166	PB166SS	PWMK66	PF766
700A	800	600	PBS86					PF786

								
Double Wide Sloped Top with Accessory Front			Solid Base, 0mm (Steel)	Solid Base, 0mm (Stainless Steel)	Solid Base, 100mm (Steel)	Solid Base, 100mm (Stainless Steel)	Wall-Mount Kit	700mm Frame
A	B	C						
500A	1200	600	PBS66 ^a	PBS66SS ^a	PB166 ^a	PB166SS ^a		PF766 ^a or PF7126
700A	1200	600	PBS66 ^a	PBS66SS ^a	PB166 ^a	PB166SS ^a		PF766 ^a or PF7126

^a Two 600mm bases are required for 1200mm wide sloped tops.

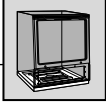
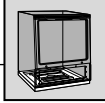
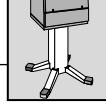
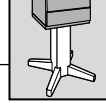
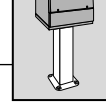
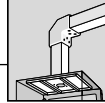




Component Selection Matrix Mounting Options


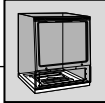
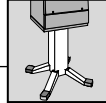
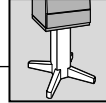
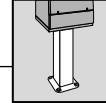
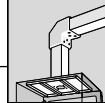

2


Operator Interface Enclosure Systems

Mounting Options

 Base With Cutout (Steel)	 Base With Cutout (Stainless Steel)	 Pedestal with Legs (Steel)	 Pedestal (Stainless Steel)	 Bolt-Down Pedestal	 Support Bracket ^{b c}	 Sloped Top		
						A	B	C
PBSK66	PBSK66SS	AP36L88 or AP26L88	AP36SS	AP33B88 or AP23B88	PTS66	400	600	600
PBSK66	PBSK66SS	AP36L88 or AP26L88	AP36SS	AP33B88 or AP23B88	PTS66	500	600	600
PBSK66	PBSK66SS	AP36L88 or AP26L88	AP36SS	AP33B88 or AP23B88	PTS66	700	600	600
		Not Recommended	Not Recommended	Not Recommended	Not Recommended	700	800	600

Base With Cutout (Steel)	Base With Cutout (Stainless Steel)	Pedestal with Legs (Steel)	Pedestal (Stainless Steel)	Bolt-Down Pedestal	Support Bracket ^c	 Double Wide Sloped Top		
						A	B	C
					Not Recommended	700	1200	600

 Base With Cutout (Steel)	 Base With Cutout (Stainless Steel)	 Pedestal with Legs (Steel)	 Pedestal (Stainless Steel)	 Bolt-Down Pedestal	 Support Bracket ^{b c}	 Sloped Top with Accessory Front		
						A	B	C
XBSK66	XBSK66SS	AP36L88 or AP26L88	AP36SS	AP33B88 or AP23B88	PTS66	500A	600	600
		Not Recommended	Not Recommended	Not Recommended	PTS66	500A	800	600
XBSK66	XBSK66SS	AP36L88 or AP26L88	AP36SS	AP33B88 or AP23B88	XTS66	700A	600	600
		Not Recommended	Not Recommended	Not Recommended	Not Recommended	700A	800	600

Base With Cutout (Steel)	Base With Cutout (Stainless Steel)	Pedestal with Legs (Steel)	Pedestal (Stainless Steel)	Bolt-Down Pedestal	Support Bracket ^c	 Double Wide Sloped Top with Accessory Front		
						A	B	C
					Not Recommended	500A	600	600
					Not Recommended	500A	800	600

^b Use with COMPACT® Pendant Arm Series 4.

^c It is not recommended to pendant mount PROLINE® OI sloped tops over 600mm wide.



A Pentair Company

Mounting Options COMPACT® Pendant Arm Series I



Application

The COMPACT® Pendant Arm Series I provides a flexible, easy-to-use method for mounting and positioning small operator interface controls and instruments. Series I pendant arm models are furnished as complete systems with ready-to-configure enclosure mounting plates. This series is recommended as a mounting option for INLINE® operator interface enclosures and other small operator interface enclosures.

Series I pendant arms are manufactured from lightweight extruded and cast aluminum. Special design features provide multiple mounting options and allow movement in both horizontal and vertical directions. This flexible series is easily attached to a machine or wall.



Construction

- Cast aluminum and extruded aluminum tube.
- Four pre-assembled models. One model capable of horizontal and vertical motion. One model capable of horizontal motion. Either model is available in two lengths, 500mm or 800mm.
- Internal braking mechanism (vertical motion only) prevents downward “free-fall” motion when locked.
- Easily removable snap-on cover provides access to wire containment channel.
- Adjustable enclosure mounting. Arm can be configured to mount to top, bottom, or back of an enclosure.
- Enclosure mounting plate can be rotated, tilted, and locked into desired position.
- Handle available as option.

Finish

Tube is anodized. Color is silver. Fittings and snap-on cover are RAL 7035 light gray polyester powder paint.

Industry Standards

NEMA/EEMAC Type 12
IEC 60529, IP65
DIN 40050

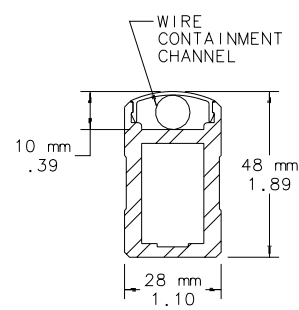
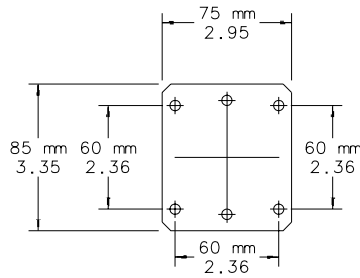
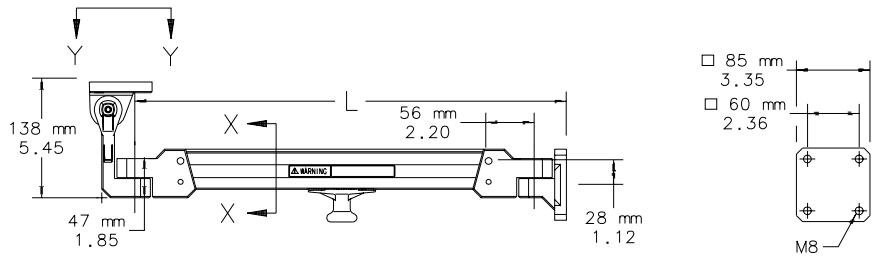
Handle

Mounts to end of arm in pre-threaded hole. Black.

Catalog Number
CCS1HDL

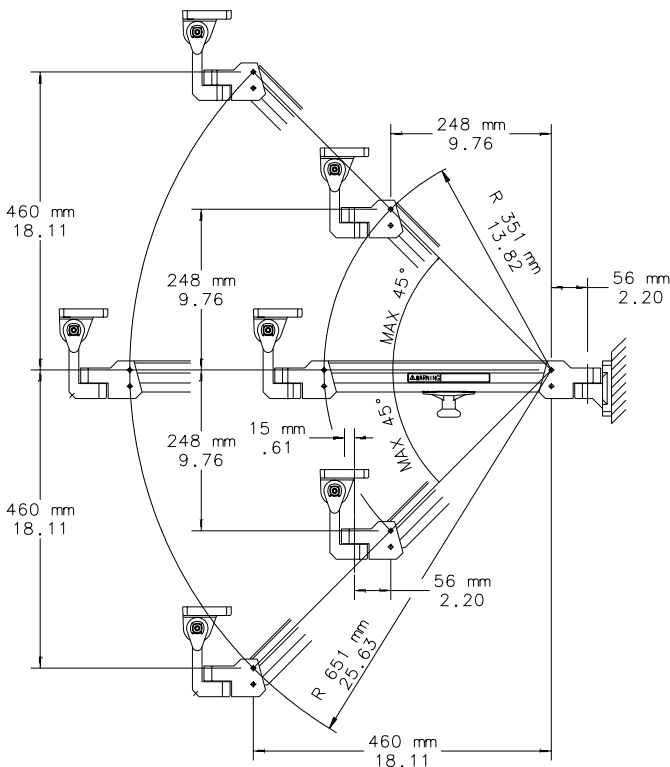
Standard Size Pendant Arm Series I

Catalog Number	Description	L	Maximum Load
CCS1H5V	Vertical and horizontal motion	0.5M	30 lbs.
CCS1H8V	Vertical and horizontal motion	0.8M	15 lbs.
CCS1H5	Horizontal motion	0.5M	30 lbs.
CCS1H8	Horizontal motion	0.8M	15 lbs.



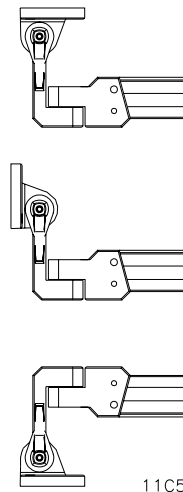
Detail Y-Y

Section X-X



Vertical Rotation

Horizontal Rotation



Enclosure Mounting Positions



A Pentair Company

Mounting Options

COMPACT® Pendant Arm Series 2



Application

The modular COMPACT® Series 2 pendant arm provides a flexible method for moving operator controls into a convenient position for operator use and then moving them out of the way when not needed. This series is recommended as a mounting option for CONCEPT® operator interface enclosures in addition to COMPACT® CCI enclosures.

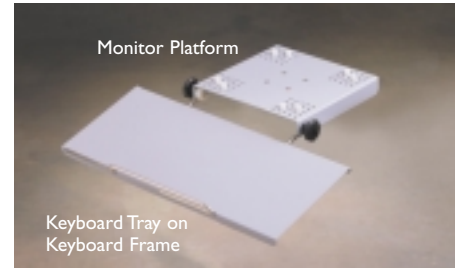
The Series 2 pendant arm system components include extruded aluminum tubing, elbows, joints, and brackets. Configured components can suspend an enclosure from the top or support it from below. This flexible series is easily mounted to a machine, wall, or floor. Special design features provide superior load bearing capacity and functional reliability.

Construction

- Cast aluminum couplings and extruded aluminum tubing. Series components provide excellent structural strength.
- Multiple coupling types and three standard tube lengths (500, 1000 and 1500mm) combine to form numerous configurations as conduits for equipment wiring (see configuration guide on page 2.78).
- Removable access plates simplify cable installation inside fittings
- Heavy duty bearings in all movable joints for convenient, smooth operation and enhanced durability
- Deep tube fittings in all couplings
- Adjustable set screws allow accurate alignment of supporting tubes
- Oil-resistant neoprene gasket

Finish

Couplings and access plates are RAL 7035 light gray polyester powder paint. Tubing is anodized aluminum.



Assembled configuration with Monitor Platform, Keyboard Frame, and Tray.

Monitor Platform

Platform attaches to pendant arm to provide a surface for a monitor. Adjustable stops hold monitor securely in place. Aluminum construction finished with RAL 7042 gray polyester powder paint.

Catalog Number
CCS1MP

Keyboard Frame

Frame mounts to monitor platform. Frame locks at desired position by tightening knobs. Chrome-plated finish.

Catalog Number
CCS1KBF

Keyboard Tray

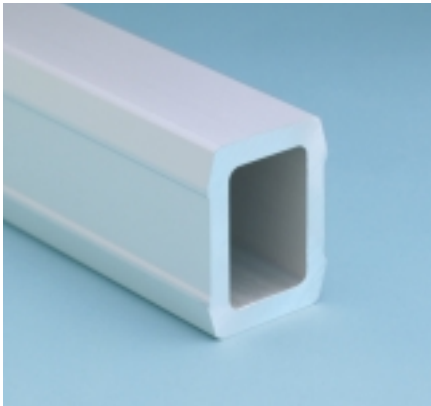
Tray attaches to keyboard frame. Provides a surface for a PC mouse as well as a platform for a keyboard. Aluminum construction finished with RAL 7042 gray polyester powder paint.

Catalog Number
CCS1KBT

Industry Standards

NEMA/EEMAC Type 12
IEC 60529, IP55
DIN 40050





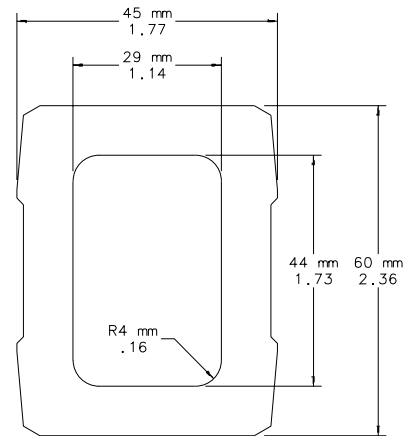
Tubes

Hollow aluminum extrusion. Available in 500, 1000, and 1500mm lengths. Connection components are fastened to support arm with set screws. DIN 59411 and 2395.

Standard Sizes Pendant Arm Series 2 Tubes

Catalog Number	Length	External Dimensions	Wall Thickness Dimensions	Inside Cross Section cm ² /in ²	Weight (lbs.)
CCS2T5	19.68 (500)	1.77 x 2.36 (45 x 60)	0.31 (8)	12.65/1.96	4.5
CCS2T10	39.37 (1000)	1.77 x 2.36 (45 x 60)	0.31 (8)	12.65/1.96	9.0
CCS2T20	59.06 (1500)	1.77 x 2.36 (45 x 60)	0.31 (8)	12.65/1.96	14.0

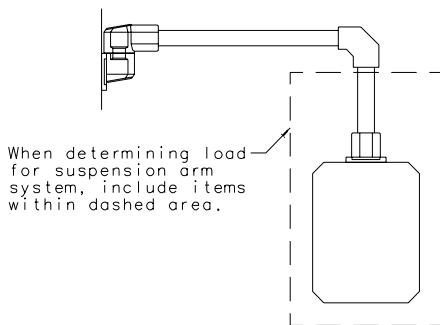
Millimeter dimensions () are for reference only; do not convert metric dimensions to inch.



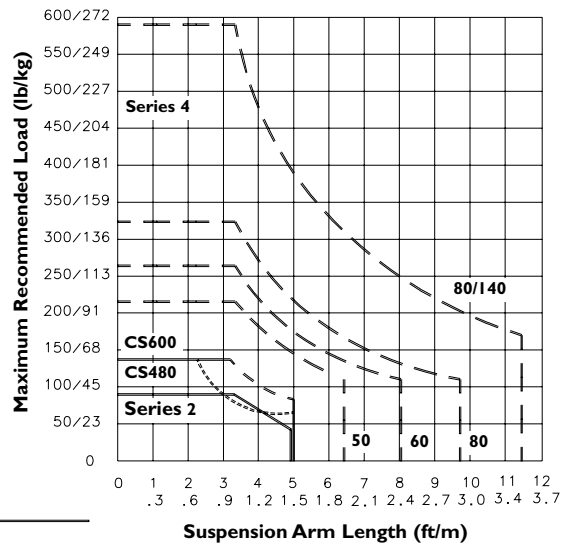
C2715

System Load Capacity

The Series 2 pendant arm load graph is the result of load capacity tests. Please contact Hoffman for specific application information.



Load Capacity



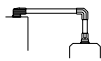
Series 2 —————
 Series 4 - - - - -
 CS480 ·········
 CS600 - - - - -

C2715



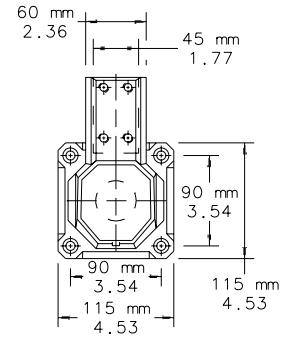
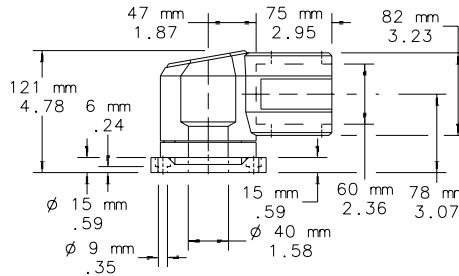
Mounting Options

COMPACT® Pendant Arm Series 2



Set-Up Joint

Joint includes access plate for easy wire installation. Turning range of 300 degrees. Cast aluminum finished in RAL 7035 light gray polyester powder paint. Set screws, gasket, and removable access plate are included. Mounting fasteners are not provided.



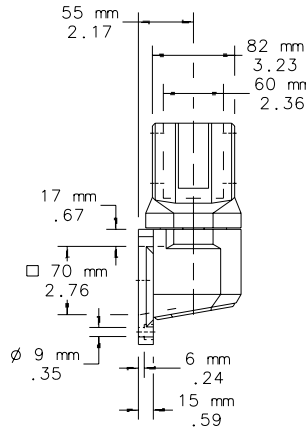
C2712

Catalog Number	Weight (lbs.)
CCS2SJLG	4.0

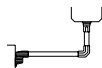
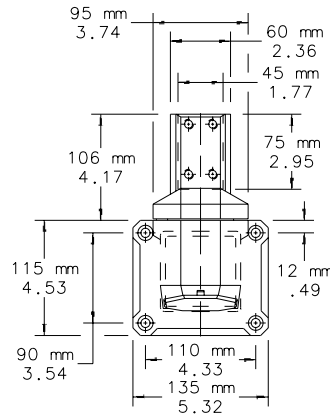


Wall Joint (Vertical)

Vertical joint includes access plate for easy wire installation. Turning range of 300 degrees. Cast aluminum finished in RAL 7035 light gray polyester powder paint. Set screws, gasket, and removable access plate are included. Mounting fasteners are not provided.

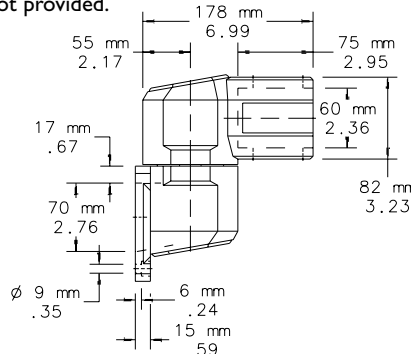


Catalog Number	Weight (lbs.)
CCS2WJVLG	5.0

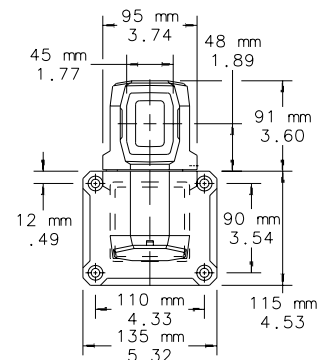


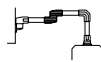
Wall Joint (Horizontal)

Includes access plates for easy wire installation. Turning range of 300 degrees. Cast aluminum finished in RAL 7035 light gray polyester powder paint. Set screws, gasket, and removable access plates included. Mounting fasteners not provided.



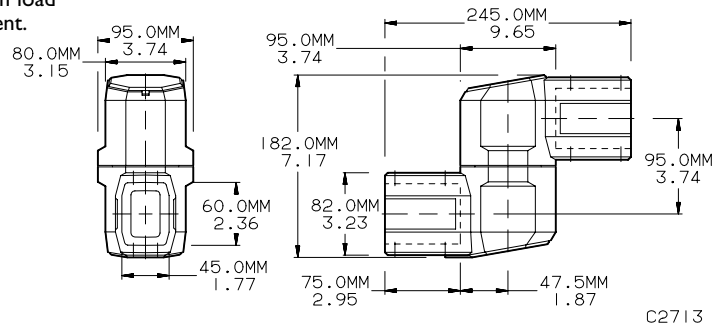
Catalog Number	Weight (lbs.)
CCS2WJHLG	5.0



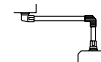


Intermediate Joint

Joint is cast aluminum finished in RAL 7035 light gray polyester powder paint. Turning range is 360 degrees with stop. Includes access plates for easy wire installation, installation hardware, and gasket. Use of the intermediate joint reduces pendant arm load capacity by 43 percent.

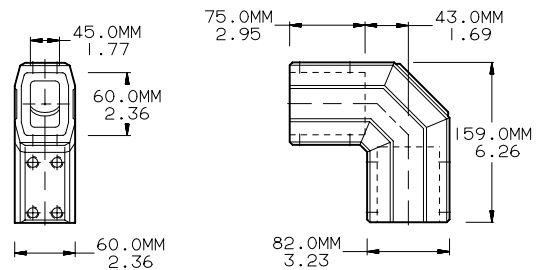


Catalog Number	Weight (lbs.)
CCS2IJLG	5.0

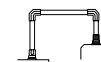


Heavy Duty Elbow

Elbow is made of aluminum with increased wall thickness for additional strength and support. Set screws for tube adjustment. Cast aluminum finished in RAL 7035 light gray polyester powder paint. All installation hardware and gasket are included.

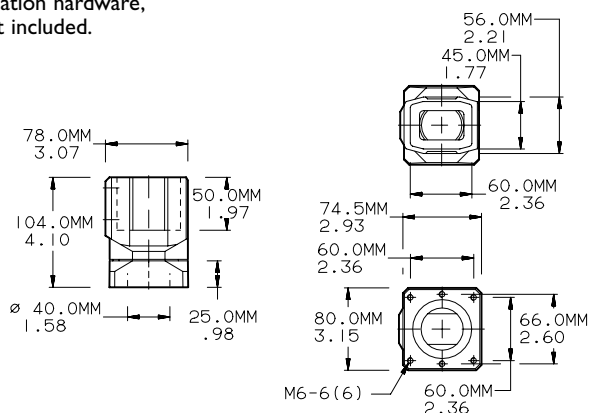


Catalog Number	Weight (lbs.)
CCS2EHDLG	3.0



Flange Coupling

Coupling is capable of 300-degree rotation. Maintenance-free bearing is steel and polyamide. Cast aluminum finished in RAL 7035 light gray polyester powder paint. Installation hardware, mounting fasteners, and gasket included.



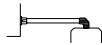
Catalog Number	Weight (lbs.)
CCS2FCLG	2.5



A Pentair Company

Mounting Options

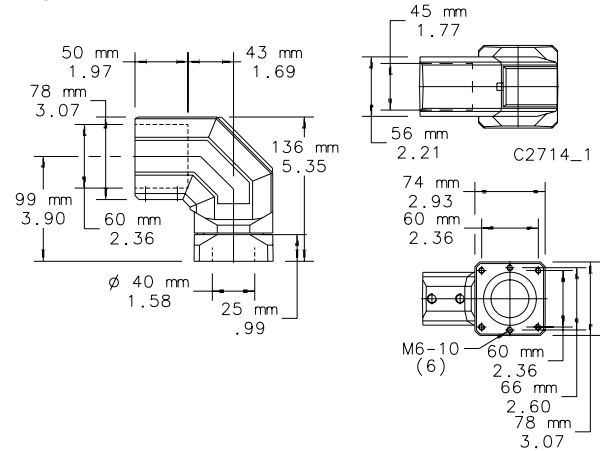
COMPACT® Pendant Arm Series 2



Flange Elbow Coupling

Turning range of 300 degrees. Maintenance-free bearing is steel and polyamide. Includes access plate for easy wire installation. Cast aluminum finished in RAL 7035 light gray polyester powder paint. Installation hardware, mounting fasteners, and gasket included.

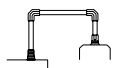
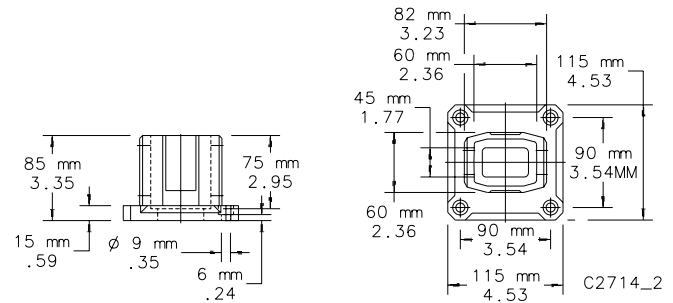
Catalog Number	Weight (lbs.)
CCS2FECLG	3.0



Wall Flange / Base Bracket

Cast aluminum finished in RAL 7035 light gray polyester powder paint. Set screws and gasket are included. Mounting fasteners are not included.

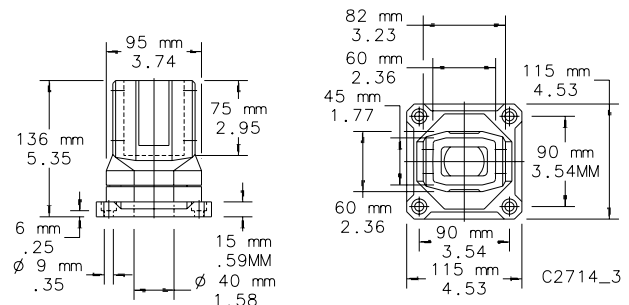
Catalog Number	Weight (lbs.)
CCS2WFBLG	2.5



Rotational Base

Turning range of 300 degrees. Cast aluminum finished in RAL 7035 light gray polyester powder paint. Set screws and gasket are included. Mounting fasteners are not provided.

Catalog Number	Weight (lbs.)
CCS2RBLG	3.5

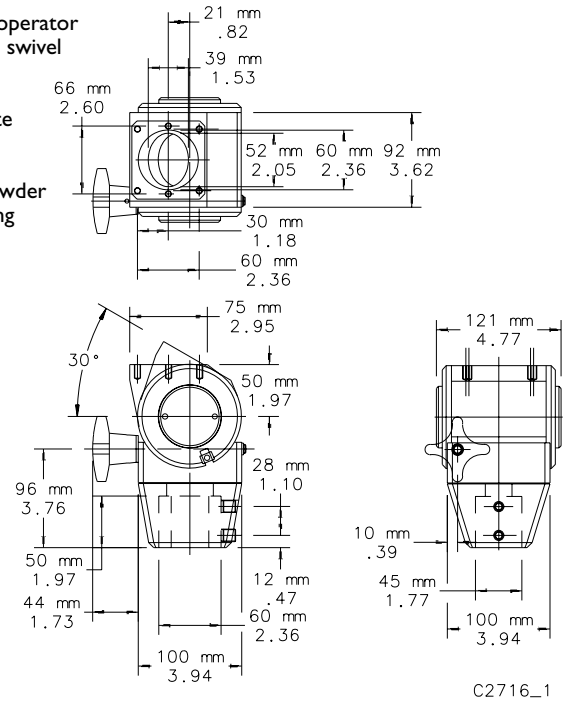




Swivel Tilt Straight

Mounts between pendant arm and operator interface enclosure to provide both swivel and tilt options for the machine operator. Swivel allows 300-degree maximum rotation. Tilt allows infinite adjustment from horizontal to 30 degrees. Cast aluminum finished in RAL 7035 light gray polyester powder paint. Installation hardware, mounting fasteners, and gasket included.

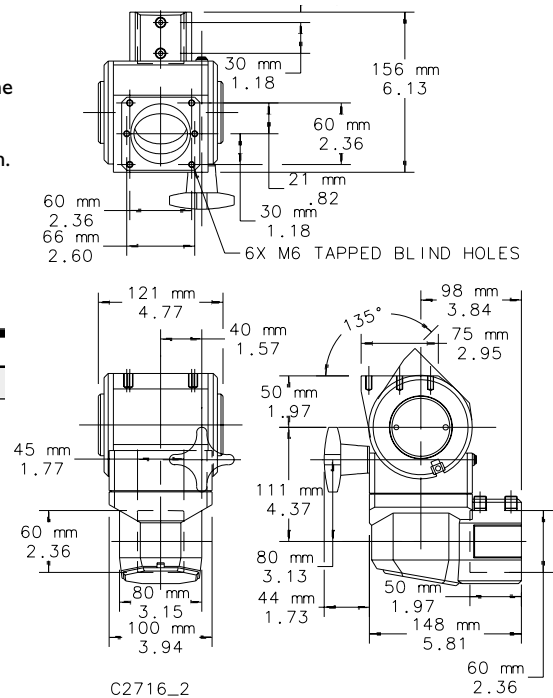
Catalog Number	Weight
CCS2STLG	7.0



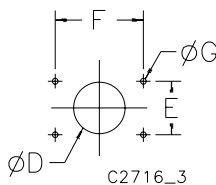
Swivel Tilt 90° Elbow

Mounts between pendant arm and operator interface enclosure to provide both swivel and tilt options for the machine operator. A 90-degree elbow is incorporated into this design. Swivel allows 300-degree maximum rotation. Tilt allows infinite adjustment from horizontal to 30 degrees. Cast aluminum finished in RAL 7035 light gray polyester powder paint. Installation hardware, mounting fasteners, and gasket are included.

Catalog Number	Weight (lbs.)
CCS2ESTLG	7.5



Standard Cutout for Mounting



Dimensions for Cutout	Set-Up Joint	Vertical or Horizontal Wall Joint	Flange or Flange Elbow Coupling ^a / Swivel Tilt Straight or 90° Elbow	Wall Flange or Base Bracket	Rotational Base
ϕD	1.58 (40)	2.76 (70)	1.58 (40)	—	1.58 (40)
E	3.54 (90)	3.54 (90)	2.36 (60)	3.54 (90)	3.54 (90)
F	3.54 (90)	4.33 (110)	2.36 (60)	3.54 (90)	3.54 (90)
ϕG	0.35 (9)	0.35 (9)	0.26 (7)	0.35 (9)	0.35 (9)

Millimeter dimensions () are for reference only; do not convert metric dimensions to inch.

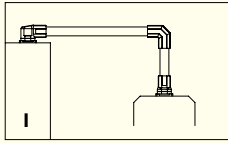
^a See product drawings at beginning of section for alternate shallow enclosure mounting.



A Pentair Company

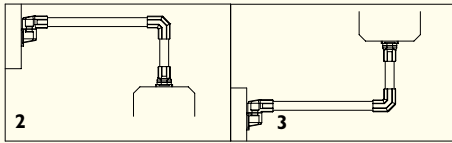
Mounting Options

Configurations: COMPACT® Pendant Arm Series 2

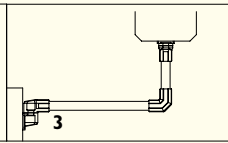


1

Description	Qty	Catalog Number
Set up joint	1	CCS2SJLG
Heavy duty elbow	1	CCS2EHDLG
Flange coupling or Swivel tilt	1	CCS2FCLG
	1	CCS2STLG



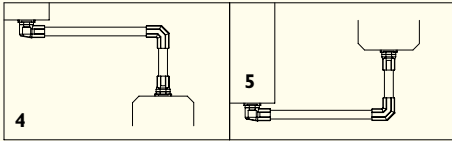
2



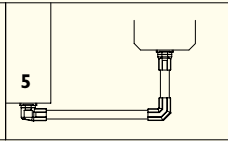
3

2 and 3

Description	Qty	Catalog Number
Wall joint (horizontal)	1	CCS2WJHLG
Heavy duty elbow	1	CCS2EHDLG
Flange coupling or Swivel tilt	1	CCS2FCLG
	1	CCS2STLG



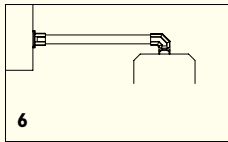
4



5

4 and 5

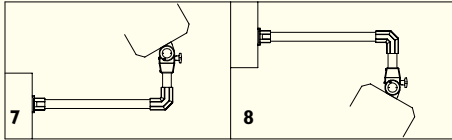
Description	Qty	Catalog Number
Set up joint	1	CCS2SJLG
Heavy duty elbow	1	CCS2EHDLG
Flange coupling or Swivel tilt	1	CCS2FCLG
	1	CCS2STLG



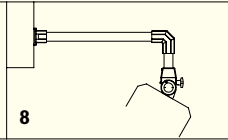
6

6

Description	Qty	Catalog Number
Wall flange / base bracket	1	CCS2WFBLG
Flange elbow coupling or 90° Swivel tilt	1	CCS2FECLG
	1	CCS2ESTLG



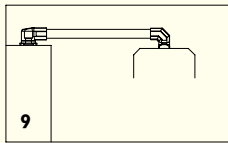
7



8

7 and 8

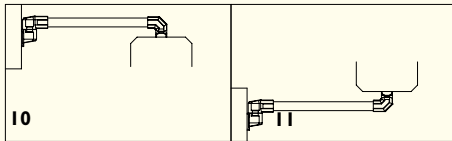
Description	Qty	Catalog Number
Wall flange / base bracket	1	CCS2WFBLG
Heavy duty elbow	1	CCS2EHDLG
Flange coupling or Swivel tilt	1	CCS2FCLG
	1	CCS2STLG



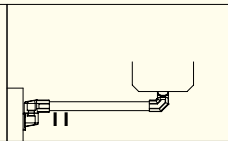
9

9

Description	Qty	Catalog Number
Set up joint	1	CCS2SJLG
Flange elbow coupling or 90° Swivel tilt	1	CCS2FECLG
	1	CCS2ESTLG



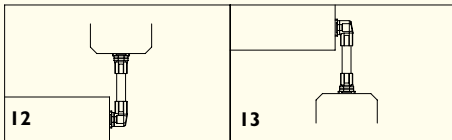
10



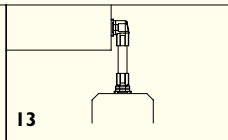
11

10 and 11

Description	Qty	Catalog Number
Wall joint (horizontal)	1	CCS2WJHLG
Flange elbow coupling or 90° Swivel tilt	1	CCS2FECLG
	1	CCS2ESTLG



12

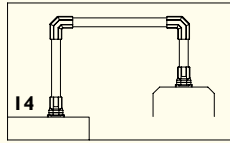


13

12 and 13

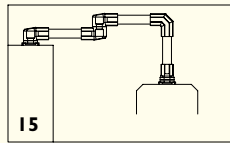
Description	Qty	Catalog Number
Wall joint (vertical)	1	CCS2WJVLG
Flange coupling or Swivel tilt	1	CCS2FCLG
	1	CCS2STLG

C2802-1



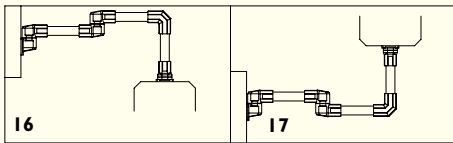
14

Description	Qty	Catalog Number
Rotational base	1	CCS2RBLG
Heavy duty elbow	2	CCS2EHDLG
Flange coupling or Swivel tilt	1	CCS2FCLG CCS2STLG



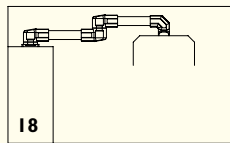
15

Description	Qty	Catalog Number
Set up joint	1	CCS2SJLG
Intermediate joint	1	CCS2IJLG
Heavy duty elbow	1	CCS2EHDLG
Flange coupling or Swivel tilt	1	CCS2FCLG CCS2STLG



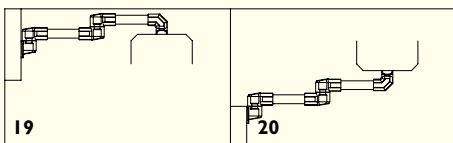
16 and 17

Description	Qty	Catalog Number
Wall joint (horizontal)	1	CCS2WJHLG
Intermediate joint	1	CCS2IJLG
Heavy duty elbow	1	CCS2EHDLG
Flange coupling or Swivel tilt	1	CCS2FCLG CCS2STLG



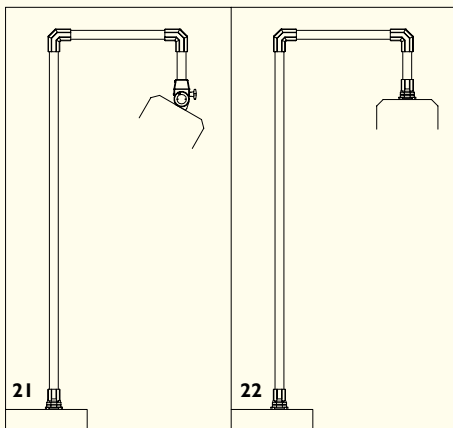
18

Description	Qty	Catalog Number
Set up joint	1	CCS2SJLG
Intermediate joint	1	CCS2IJLG
Flange elbow coupling or 90° Swivel tilt	1	CCS2FECLG CCS2ESTLG



19 and 20

Description	Qty	Catalog Number
Wall joint (horizontal)	1	CCS2WJHLG
Intermediate joint	1	CCS2IJLG
Flange elbow coupling or 90° Swivel tilt	1	CCS2FECLG CCS2ESTLG



21 and 22

Description	Qty	Catalog Number
Wall flange / base bracket	1	CCS2WFBLG
Heavy duty elbow	2	CCS2EHDLG
Flange coupling or Swivel tilt	1	CCS2FCLG CCS2STLG

Note to the Specifier: 1. Select pendant system size using the COMPACT® Series 2 load capacity chart.

2. Tube catalog numbers are not included in configuration tables.

C2802-2



A Pentair Company

Mounting Options

COMPACT® Pendant Arm Series 4



COMPACT® CCI Enclosure with
Series 4 System 50 Pendant Arm

Application

Modular COMPACT® pendant arm systems are used to suspend machine and process control equipment, including operator interface computers. Controls mounted on a pendant arm system can be easily moved into a convenient position for use and then moved out of the way when not needed. Four sizes are available:

- System 50 (50mm x 50mm square tube)
- System 60 (60mm x 60mm square tube)
- System 80 (80mm x 80mm square tube)
- System 80/140 (80mm x 140mm rectangular tube)

Supporting tubes, elbows, brackets, movable joints, and flanged couplings are available that can be sized and configured to the specific application and for eventual mounting to a machine or to a wall.



Construction

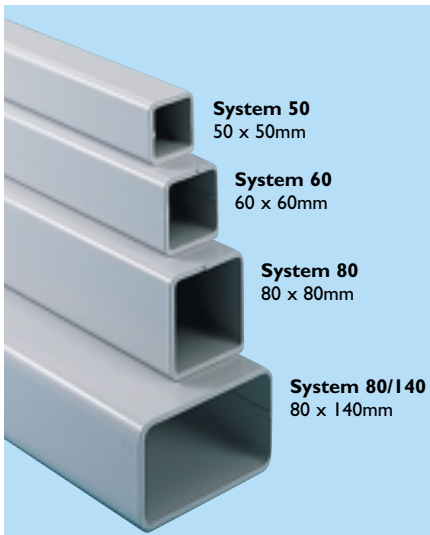
- Heavy cast steel and cast aluminum couplings and heavy wall steel tubing provide excellent structural strength
- Each system includes multiple coupling types and three standard tube lengths (.5m, 1m, and 2m) which combine to form numerous configurations
- Steel tubing has 5mm (0.2-inch) wall thickness. Tubing is cold-formed welded square and rectangular steel tubes
- Tubing provides structural integrity and acts as a conduit for equipment wiring
- Removable access plates (provided with set-up joint, elbow and elbow couplings) simplify cable installation inside tubing
- Heavy duty bearings in all movable joints for convenient, smooth operation and enhanced durability to withstand stresses of repeated use
- Deep tube fittings in all couplings
- Adjustable setscrews allow for accurate alignment of supporting tubes
- Optional pedestal base available
- Gasket is oil-resistant neoprene

Finish

Couplings are RAL 7035 light gray polyester powder paint. Access plates and tubing are light gray. Bellows are black.

Industry Standards

NEMA/EEMAC Type 12
IEC 60529, IP55
DIN 40050



Tube Sizes

Square and rectangular tubes are cold-formed hollow welded steel with 5mm wall thickness. Tubing provides structural integrity and acts as a conduit for equipment wiring. Available in 500, 1000, and 2000mm lengths. All pendant arm connections are sized to fit appropriate tube sizes.

System	External Dimensions	Wall Thickness	Inside Cross Section in. ² /cm ²
□ 50	1.97 (50 sq.)	.20 (5)	2.48/16
□ 60	2.36 (60 sq.)	.20 (5)	3.88/25
□ 80	3.15 (80 sq.)	.20 (5)	7.60/49
□ 80 x 140	3.15 x 5.51 (80 x 140)	.20 (5)	14.11/91

Millimeter dimensions in () are for reference only; do not convert metric dimensions to inch.

System 50	Size	Actual Length	Weight (lb)
CCS5T5	50 x 50	19.25 (489)	7.6
CCS5T10	50 x 50	39.00 (991)	15.1
CCS5T20	50 x 50	78.25 (1988)	30.2

System 60

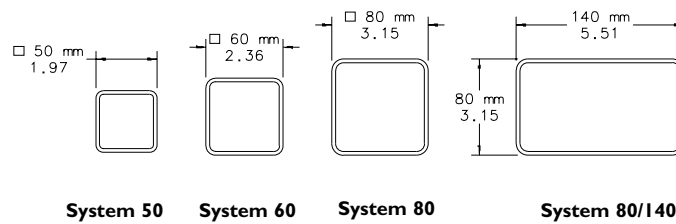
CCS6T5	60 x 60	19.25 (489)	9.3
CCS6T10	60 x 60	39.00 (991)	18.6
CCS6T20	60 x 60	78.25 (1988)	37.1

System 80

CCS8T5	80 x 80	19.25 (489)	13.0
CCS8T10	80 x 80	39.00 (991)	24.5
CCS8T20	80 x 80	78.25 (1988)	49.0

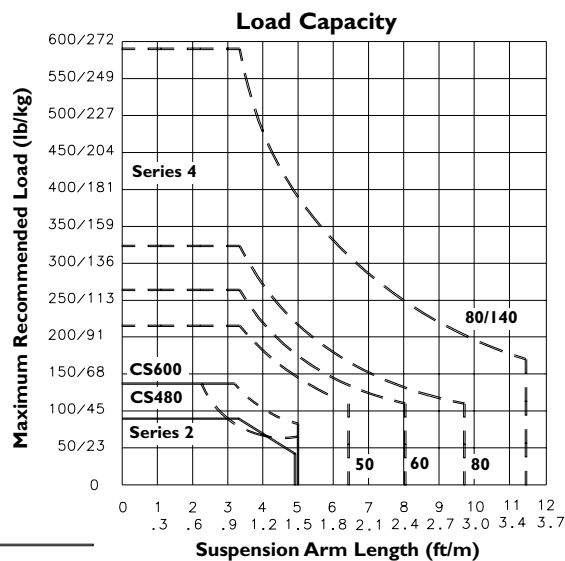
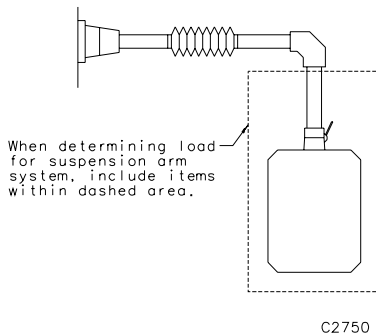
System 80/140

CCS14T5	80 x 140	19.25 (489)	17.0
CCS14T10	80 x 140	39.00 (991)	33.0
CCS14T20	80 x 140	78.25 (1988)	66.0



System Load Capacity

The Series 4 pendant arm load graph is the result of load capacity tests. Please contact Hoffman for specific application information.



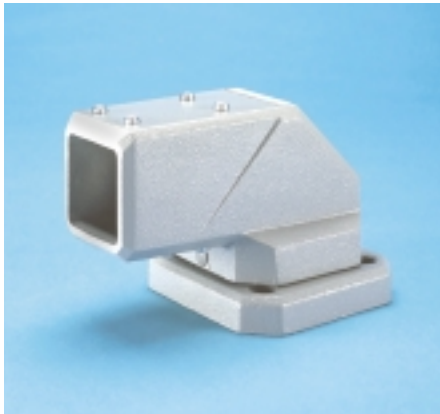
C2750



A Pentair Company

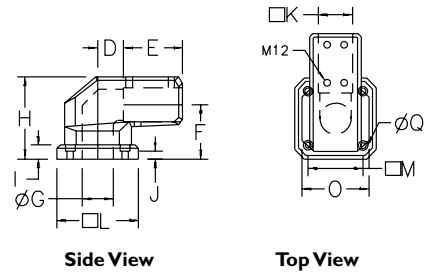
Mounting Options

COMPACT® Pendant Arm Series 4



Set-Up Joint

Cast iron. Mounts equipment to horizontal surface. Permits pendant arm to be rotated or turned 306 degrees. Pivot bearing is maintenance-free. setscrews, removable access plate, and gasket are included. (Mounting hardware not provided.)



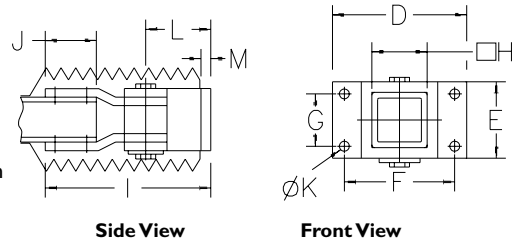
Catalog Number	L	H	D	E	F	ØG	I	J	K	M	O	ØQ	Weight (lbs.)
CCS5SJLG (System 50)	5.28 (134)	5.2 (132)	1.59 (41)	3.54 (90)	3.62 (92)	1.78 (45)	0.98 (25)	0.55 (14)	1.97 (50)	3.47 (88)	4.25 (108)	0.43 (11)	20.5
CCS6SJRLG (System 60)	5.67 (144)	5.98 (152)	1.79 (46)	4.13 (105)	3.82 (97)	2.16 (55)	0.98 (25)	0.55 (14)	2.36 (60)	3.82 (97)	4.65 (118)	0.43 (11)	28.5
CCS8SJLG (System 80)	6.85 (174)	6.38 (162)	2.19 (56)	4.72 (120)	4.21 (107)	2.95 (75)	0.98 (25)	0.47 (12)	3.15 (80)	4.80 (122)	5.98 (152)	0.51 (13)	45.5
CCS14SJLG (System 80/140)	10.24 (260)	8.86 (225)	3.35 (85)	6.10 (155)	5.55 (141)	5.51 (140)	1.34 (34)	0.47 (12)	3.15 x 5.51 (80 x 140)	7.87 (200)	9.14 (232)	0.51 (13)	63.0

Millimeter dimensions () are for reference only; do not convert metric dimensions to inch.



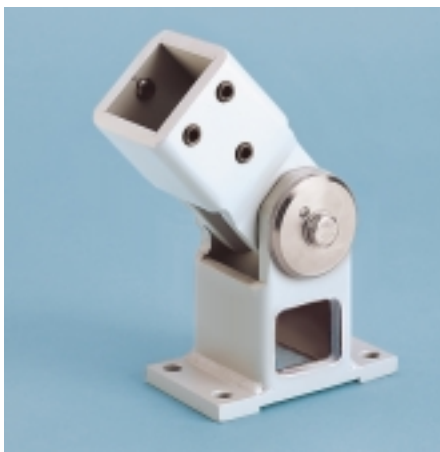
Wall Joint

Welded steel plate construction. Mounts equipment to vertical surface. Swivel range is approximately 180 degrees. Includes bellows with zipper, seals, and setscrews (mounting fasteners are not included). Adjustable tension at pivot point. Rotational limiter is optional. (Mounting hardware not provided.)



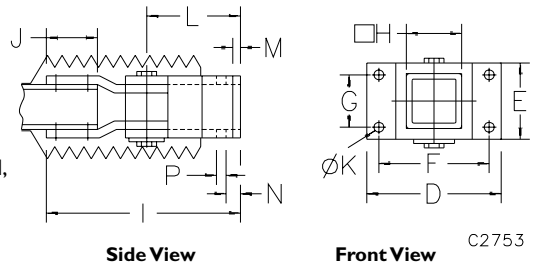
Catalog Number	D	E	F	G	ØH	I	J	ØK	L	M	Weight (lbs.)
CCS5WJRLG (System 50)	5.16 (131)	2.91 (74)	4.21 (107)	1.97 (50)	1.97 (50)	7.48 (190)	2.55 (65)	0.41 (10)	2.95 (75)	0.39 (10)	8.7
CCS6WJRLG (System 60)	5.55 (141)	3.30 (84)	4.53 (115)	2.36 (60)	2.36 (60)	8.27 (210)	2.76 (70)	0.41 (10)	3.54 (90)	0.39 (10)	11.8
CCS8WJRLG (System 80)	6.34 (161)	4.09 (104)	5.43 (138)	3.15 (80)	3.15 (80)	11.81 (300)	3.94 (100)	0.51 (13)	5.31 (135)	0.39 (10)	21.6
CCS14WJRLG (System 80/140)	6.69 (170)	9.06 (230)	4.92 (125)	7.28 (185)	3.15 x 5.51 (80 x 140)	15.43 (392)	6.10 (155)	0.51 (13)	6.38 (162)	0.47 (12)	37.9

Millimeter dimensions () are for reference only; do not convert metric dimensions to inch.



Cable Wall Joint

Welded steel plate construction. Mounts equipment to vertical surface. Provides cable access to inside of pendant system from above or below. Swivel range approximately 180 degrees. Includes bellows with zipper, seal, and setscrews. Adjustable tension at pivot point. Rotation limiter is optional. (Mounting hardware not provided.)



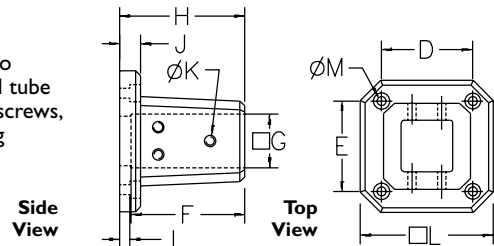
Catalog Number	D	E	F	G	ØH	I	J	ØK	L	M	N	P	Weight (lbs.)
CCS5WJCRLG	5.16 (131)	2.91 (74)	4.21 (107)	1.97 (50)	1.97 (50)	8.66 (220)	2.36 (60)	0.41 (10)	4.13 (105)	0.39 (10)	0.59 (15)	1.57 (40)	10.4
CCS6WJCRLG	5.55 (141)	3.30 (84)	4.53 (115)	2.36 (60)	2.36 (60)	9.45 (240)	2.76 (70)	0.41 (10)	4.72 (120)	0.39 (10)	0.59 (15)	1.97 (50)	14.6
CCS8WJCRLG	6.50 (165)	4.09 (104)	5.43 (138)	3.15 (80)	3.15 (80)	12.99 (330)	3.94 (100)	0.51 (13)	6.50 (165)	0.39 (10)	0.79 (20)	2.36 (60)	20.9

Millimeter dimensions () are for reference only; do not convert metric dimensions to inch.



Wall Flange

Wall flange expands mounting options to include wall-mount as well as horizontal tube applications. Cast iron construction. setscrews, gasket, and seals are included. (Mounting hardware not provided.)



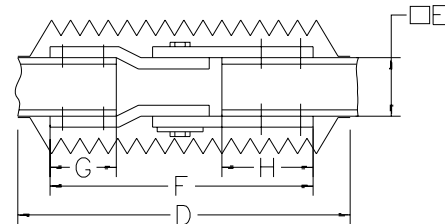
Catalog Number	L	H	D	E	F	G	I	J	K	M	Weight (lbs.)
CCS5WFLG (System 50)	5.28 (134)	4.60 (117)	3.46 (88)	3.46 (88)	4.09 (104)	1.97 (50)	.35 (9)	.79 (20)	M10	.43 (11)	9.4
CCS6WFLG (System 60)	5.51 (140)	4.92 (125)	3.66 (93)	3.66 (93)	4.41 (112)	2.36 (60)	.35 (9)	.79 (20)	M10	.43 (11)	10.8
CCS8WFLG (System 80)	6.85 (174)	6.30 (160)	4.80 (122)	4.80 (122)	5.63 (143)	3.15 (80)	.47 (12)	.98 (25)	M12	.51 (13)	20.1
CCS14WFLG (System 80/140)	6.89 x 9.25 (175 x 235)	7.48 (190)	4.92 (125)	7.28 (185)	6.81 (173)	3.15 x 5.51 (80 x 140)	.47 (12)	.98 (25)	M12	.51 (13)	28.5

Millimeter dimensions () are for reference only; do not convert metric dimensions to inch.



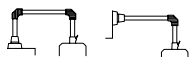
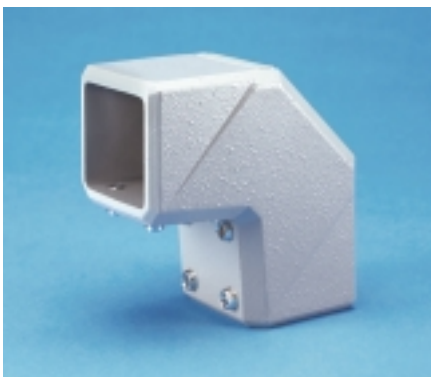
Intermediate Joint

Welded steel plate construction. Mounts to pendant tube. Swivel range is approximately 180 degrees. setscrews and bellows with zipper are included. Rotational limiter is optional.



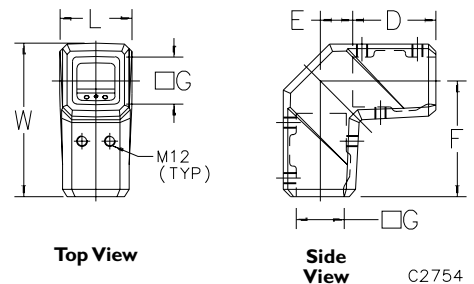
Catalog Number	D	E	F	G	H	Weight (lbs.)
CCS5JRLG (System 50)	11.81 (300)	1.97 (50)	9.06 (230)	2.56 (65)	2.56 (65)	9.7
CCS6JRLG (System 60)	12.20 (310)	2.36 (60)	9.45 (240)	2.76 (70)	2.76 (70)	13.1
CCS8JRLG (System 80)	15.75 (400)	3.15 (80)	12.99 (330)	3.94 (100)	3.94 (100)	21.4
CCS14JRLG (System 80/140)	21.26 (540)	3.15 x 5.51 (80 x 140)	18.11 (460)	6.10 (155)	6.10 (155)	39.9

Millimeter dimensions () are for reference only; do not convert metric dimensions to inch.



Elbow

Cast steel for Systems 50, 60, and 80. Cast aluminum for System 80/140. Removable access plate. Setscrews and gaskets are included.



Catalog Number	L	W	D	E	F	G	Weight (lbs.)
CCS5ELLG (System 50)	3.07 (78)	6.50 (165)	3.45 (90)	1.38 (35)	4.92 (125)	1.97 (50)	9.3
CCS6ELLG (System 60)	3.46 (88)	7.48 (190)	4.13 (105)	1.57 (40)	5.71 (145)	2.36 (60)	10.3
CCS8ELLG (System 80)	4.25 (108)	8.86 (225)	4.72 (120)	1.97 (50)	6.69 (170)	3.15 (80)	15.5
CCS14ELLG (System 80/140)	4.33 (110)	9.84 (250)	3.15 (80)	3.46 (88)	6.61 (168)	3.15 x 5.51 (80 x 140)	15.5

Millimeter dimensions () are for reference only; do not convert metric dimensions to inch.



A Pentair Company

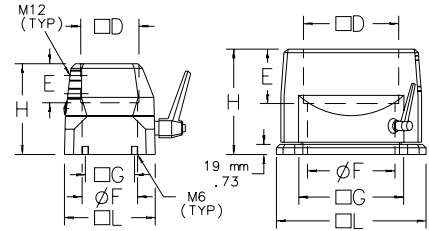
Mounting Options

COMPACT® Pendant Arm Series 4



Flange Coupling

Flange coupling mounts to enclosure, enabling enclosure to be rotated 300 degrees (System 50, 60, and 80) or 330 degrees (System 80/140). Enclosure can be locked in position. Safety stop and maintenance-free bearing. Includes installation instructions, setscrews, gaskets, and mounting hardware.



System 50-60-80

System 80/140

C2755_4



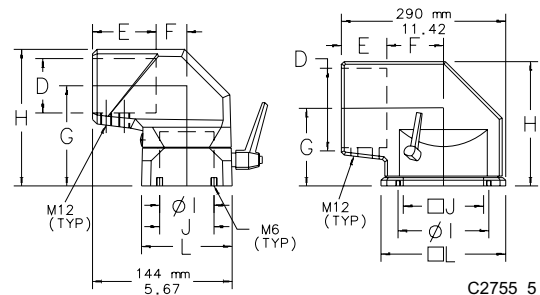
Catalog Number	□ L	H	□ D	E	Ø F	□ G	Weight (lbs.)
CCS5FCLG (System 50)	3.94 (100)	3.94 (100)	1.97 (50)	1.69 (43)	1.97 (50)	2.36 (60)	3.5
CCS6FCLG (System 60)	3.94 (100)	3.94 (100)	2.36 (60)	1.69 (43)	2.52 (64)	2.36 (60)	5.5
CCS8FCLG (System 80)	4.72 (120)	4.33 (110)	3.15 (80)	2.09 (53)	3.58 (91)	3.15 (80)	7.2
CCS14FCLG (System 80/140)	8.66 (220)	6.10 (155)	3.15 x 5.51 (80 x 140)	3.15 (80)	6.06 (142)	6.30 (160)	10.1

Millimeter dimensions () are for reference only; do not convert metric dimensions to inch.



Flange Elbow Coupling

Coupling mounts to enclosure, enabling enclosures to be rotated 300 degrees (System 50, 60, and 80) or 330 degrees (System 80/140). Enclosure can be locked in position. Removable access plates, setscrews, gasket, and mounting hardware are included.



System 50-60-80

System 80/140

C2755_5



Catalog Number	□ L	H	□ D	E	F	G	Ø I	□ J	Weight (lbs.)
CCS5FECLG	3.94 (100)	5.55 (141)	1.97 (50)	2.36 (60)	1.34 (34)	4.17 (106)	1.97 (50)	2.36 (60)	4.5
CCS6FECLG	3.94 (100)	5.95 (151)	2.36 (60)	2.76 (70)	1.34 (34)	4.37 (111)	2.52 (64)	2.36 (60)	7.0
CCS8FECLG	4.72 (120)	6.81 (173)	3.15 (80)	3.54 (90)	2.13 (54)	4.76 (121)	3.58 (91)	3.15 (80)	9.5
CCS14FECLG	8.66 (220)	8.66 (220)	3.15/5.51 (80/140)	3.15 (80)	3.94 (100)	5.43 (138)	6.06 (154)	6.30 (160)	15.5

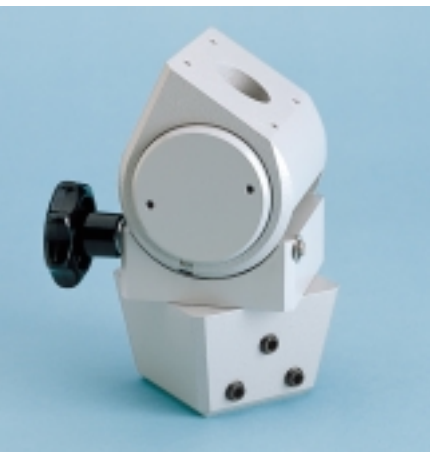
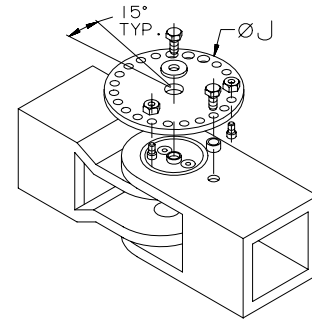


Rotation Limiter

Accessory for use with wall joint, cable wall joint, and intermediate joint. Limits the rotation of these joints, which normally rotate 180 degrees. Rotation limiter provides stops in 15-degree increments. The limiter is a heavy duty steel disk that attaches to the pivot point on each joint. Moveable stop pins provide adjustment.

Catalog Number	∅ J	Weight (lbs.)
CCS56RL (System 50 and 60)	3.77 (96)	0.8
CCS814RL (System 80 and 80/140)	4.70 (119)	1.3

Millimeter dimensions () are for reference only; do not convert metric dimensions to inch.



Swivel Tilt

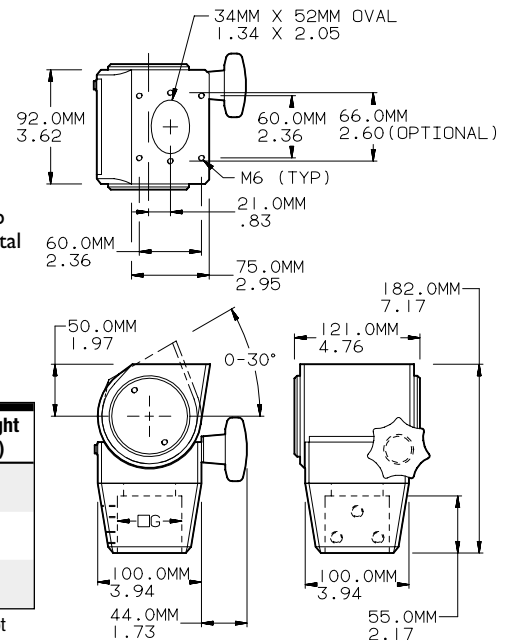
Mounts between suspension arm and operator interface enclosure to provide both swivel and tilt options for machine operator. Cast aluminum assembly with center opening for control cables. Tilt knob allows infinite tilt adjustment from horizontal to 30 degrees. Swivel allows 300-degree maximum rotation. setscrews, seals, and enclosure mounting screws are included.

NOTE: Maximum load for overhead applications is 110 lbs. (50 kg).

Catalog Number	□ G	Weight (lbs.)
CCS5STBLG (System 50)	1.97 (50)	7.0
CCS6STBLG (System 60)	2.36 (60)	7.0
CCS8STBLG (System 80)	3.15 (80)	7.0

Millimeter dimensions () are for reference only; do not convert metric dimensions to inch.

† Not recommended to be used in combination with base with cutout for sloped top PBSK66 or PBSK66SS.



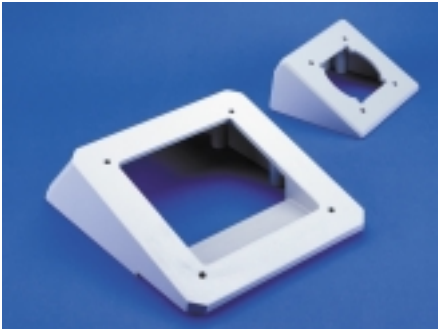
C2719



A Pentair Company

Mounting Options

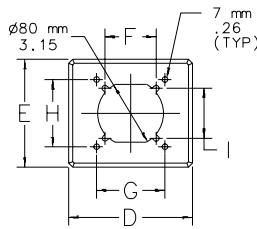
COMPACT® Pendant Arm Series 4



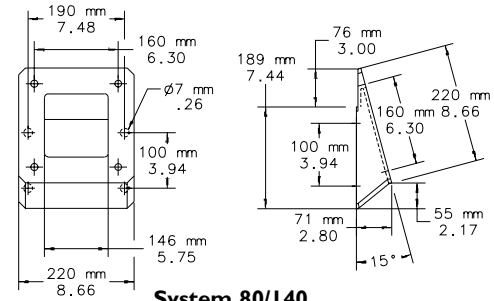
Angle Adapter Plate

Cast aluminum. Provides connection between enclosure and flange coupling. Includes gasket and installation hardware.

Catalog Number	System	Angle	D	E	F	G	H	I	J	K	Weight (lbs.)
CCS568AA15LG	50 60 80	15°	5.83 (148)	5.00 (127)	2.36 (60)	3.15 (80)	3.15 (80)	2.36 (60)	1.54 (39)	4.65 (118)	1.0
CCS568AA30LG	50 60 80	30°	5.83 (148)	5.00 (127)	2.36 (60)	3.15 (80)	3.15 (80)	2.36 (60)	2.66 (66)	4.72 (120)	1.3
CCS14AA15LG	80/140	15°	See drawing for dimensional information.								3.6



System 50 60 80



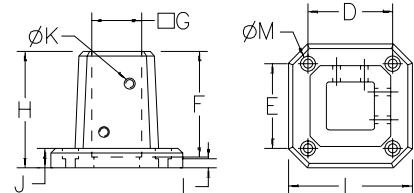
System 80/140

Catalog Number CCS14AA15LG



Base Bracket

For vertical tube mounting or to mount tube to floor. Bracket is cast iron. setscrews, gasket, and seals are included. (Mounting hardware not provided.)



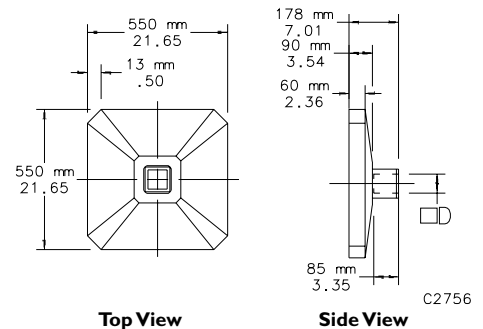
Catalog Number	□ L	H	D	E	F	□ G	I	J	∅ K	∅ M	Weight (lbs.)
CCS5BBLG (System 50)	5.28 (134)	4.60 (117)	3.48 (88)	3.48 (88)	4.09 (104)	1.97 (50)	0.35 (9)	0.79 (20)	M10	0.43 (11)	9.5
CCS6BBLG (System 60)	5.51 (140)	4.92 (125)	3.67 (93)	3.67 (93)	4.41 (112)	2.36 (60)	0.35 (9)	0.79 (20)	M10	0.43 (11)	10.8
CCS8BBLG (System 80)	6.85 (174)	6.30 (160)	4.80 (122)	4.80 (122)	5.63 (143)	3.15 (80)	0.47 (12)	0.98 (25)	M12	0.51 (13)	20.4
CCS14BBLG (System 80/140)	6.89 x 9.25 (175 x 235)	7.48 (190)	4.92 (125)	7.28 (185)	6.81 (173)	3.15 x 5.51 (80 x 140)	0.47 (12)	0.98 (25)	M12	0.51 (13)	28.4



Pedestal Base

Cast aluminum one-piece heavy-duty construction. Includes all hardware for attaching tubes. Optional casters or levelers can be installed on pedestal base. Levelers and fixed or swivel casters are available in pairs (must order two pair).

Catalog Number	□ D	Weight (lbs.)
CCS6PBLG (System 60)	2.36 x 2.36 (60 x 60)	30.9
CCS8PBLG (System 80)	3.15 x 3.15 (80 x 80)	31.5
CCS14PBLG (System 80/140)	3.15 x 5.51 (80 x 140)	32.6



Top View

Side View

C2756



Casters and Levelers for Pedestal Base

Casters or levelers can be installed under the cast aluminum pedestal base. Casters raise pedestal base 0.59 inches (15mm). Four casters, four levelers, or two casters and two levelers can be installed.

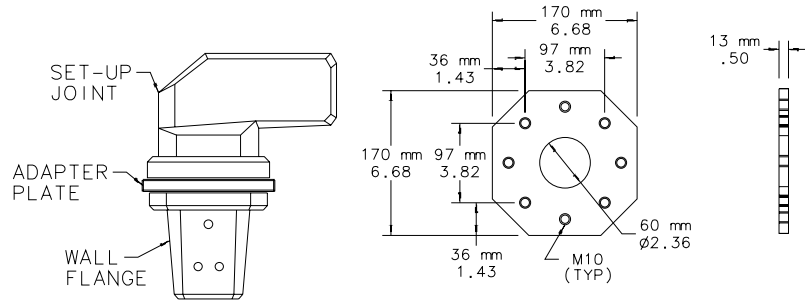
Catalog Number	Description	Weight (lbs.)
CCSPBWF	(2) Fixed Casters	0.3
CCSPBWS	(2) Swivel Casters	0.5
CCSPBLF	(2) Levelers	0.3



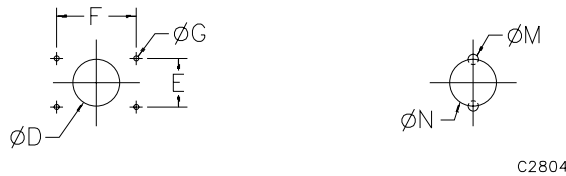
Adapter Plate

Allows CCS6SJ set-up joint and CCS6WF wall flange to be fastened together.

Catalog Number	Description
CCS6ADP	CCS6SJ to CS6WF Adapter Plate



■ **Standard Cutouts for Mounting**



Standard Coupling or Standard Elbow Coupling System	Ø M	Ø N
50	0.33 (8)	2.01 (51)

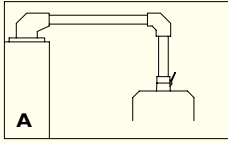
Dimensions for Cutouts	Set-Up Joint				Wall Joint or Cable Wall Joint				Wall Flange or Base Bracket				Flange Coupling or Flange Elbow Coupling				Angle Adapter Plate			
	50	60	80	80/140	50	60	80	80/140	50	60	80	80/140	50	60	80	80/140	50	60	80	80/140
Ø D MAX	2.75 (70)	2.75 (70)	4.13 (105)	5.51 (140)	1.97 (50)	2.36 (60)	3.15 (80)	3.15 x 5.51 (60 x 140)	2.75 (70)	2.75 (70)	4.13 (105)	4.13 (105)	2.01 (51)	2.56 (65)	3.58 (91)	6.06 (154)	2.01 (51)	2.56 (65)	3.58 (91)	6.06 (154)
E	3.82 (91)	3.67 (93)	4.82 (122)	7.87 (200)	1.97 (50)	2.36 (60)	3.15 (80)	7.28 (185)	3.46 (88)	3.66 (93)	4.80 (122)	7.28 (185)	2.36 (60)	2.36 (60)	3.15 (80)	6.30 (160)	3.15 (80)	3.15 (80)	3.15 (80)	3.94 (100)
F	3.82 (91)	3.67 (93)	4.82 (122)	7.87 (200)	4.21 (107)	4.53 (115)	5.43 (138)	4.92 (125)	3.46 (88)	3.66 (93)	4.80 (122)	4.92 (125)	2.36 (60)	2.36 (60)	3.15 (80)	6.30 (160)	4.72 (120)	4.72 (120)	4.72 (120)	7.48 (190)
Ø G	0.43 (11)	0.43 (11)	0.51 (13)	0.51 (13)	0.41 (10)	0.41 (10)	0.51 (13)	0.51 (13)	0.43 (11)	0.43 (11)	0.51 (13)	0.51 (13)	0.26 (6.6)	0.26 (6.6)	0.26 (6.6)	0.26 (6.6)	.26 (6.6)	0.26 (6.6)	0.26 (6.6)	0.34 (8.6)



A Pentair Company

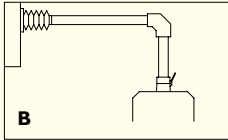
Mounting Options

Configurations: COMPACT® Pendant Arm Series 4



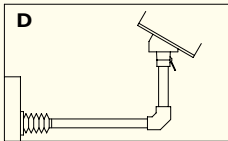
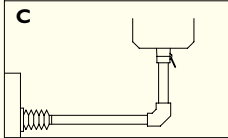
A

Description	Qty	Catalog Number			
		(System 50)	(System 60)	(System 80)	(System 80/140)
Set-up joint	1	CCS5SJLG	CCS6SJLG	CCS8SJLG	CCS14SJLG
Elbow	1	CCS5ELLG	CCS6ELLG	CCS8ELLG	CCS14ELLG
Flange coupling	1	CCS5FCLG	CCS6FCLG	CCS8FCLG	CCS14FCLG
or Swivel tilt	1	or CCS5STBLG	or CCS6STBLG	or CCS8STBLG	—



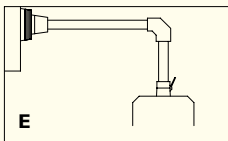
B and C

Description	Qty	Catalog Number			
		(System 50)	(System 60)	(System 80)	(System 80/140)
Wall joint	1	CCS5WJRLG	CCS6WJRLG	CCS8WJRLG	CCS14WJRLG
or Cable wall joint		or CCS5WJCRLG	or CCS6WJCRLG	or CCS8WJCRLG	—
Elbow	1	CCS5ELLG	CCS6ELLG	CCS8ELLG	CCS14ELLG
Flange coupling	1	CCS5FCLG	CCS6FCLG	CCS8FCLG	CCS14FCLG
or Swivel tilt	1	or CCS5STBLG	or CCS6STBLG	or CCS8STBLG	—



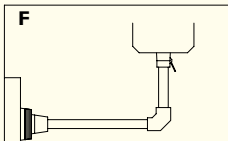
D

Description	Qty	Catalog Number			
		(System 50)	(System 60)	(System 80)	(System 80/140)
Wall joint	1	CCS5WJRLG	CCS6WJRLG	CCS8WJRLG	CCS14WJRLG
or Cable wall joint		or CCS5WJCRLG	or CCS6WJCRLG	or CCS8WJCRLG	—
Elbow	1	CCS5ELLG	CCS6ELLG	CCS8ELLG	CCS14ELLG
Flange coupling	1	CCS5FCLG	CCS6FCLG	CCS8FCLG	CCS14FCLG
Angle adapter 15°	1	CCS568AA15LG	CCS568AA15LG	CCS568AA15LG	CCS14AA15LG
or Angle adapter 30°		or CCS568AA30LG	or CCS568AA30LG	or CCS568AA30LG	—

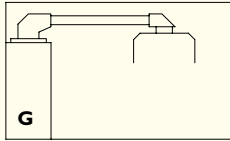


E and F

Description	Qty	Catalog Number			
		(System 50)	(System 60)	(System 80)	(System 80/140)
Wall flange	1	CCS5WFLG	CCS6WFLG	CCS8WFLG	CCS14WFLG
Elbow	1	CCS5ELLG	CCS6ELLG	CCS8ELLG	CCS14ELLG
Flange coupling	1	CCS5FCLG	CCS6FCLG	CCS8FCLG	CCS14FCLG
or Swivel tilt	1	or CCS5STBLG	or CCS6STBLG	or CCS8STBLG	—

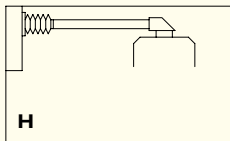


C2803-1



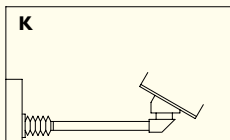
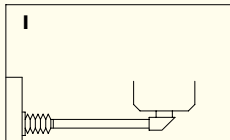
G

Description	Qty	Catalog Number			
		(System 50)	(System 60)	(System 80)	(System 80/140)
Set-up joint	1	CCS5SJLG	CCS6SJLG	CCS8SJLG	CCS14SJLG
Flange elbow coupling	1	CCS5FECLG	CCS6FECLG	CCS8FECLG	CCS14FECLG



H and I

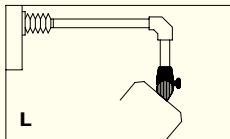
Description	Qty	Catalog Number			
		(System 50)	(System 60)	(System 80)	(System 80/140)
Wall joint or Cable wall joint	1	CCS5WJRLG or CCS5WJCRLG	CCS6WJRLG or CCS6WJCRLG	CCS8WJRLG or CCS8WJCRLG	CCS14WJRLG —
Flange elbow coupling	1	CCS5FECLG	CCS6FECLG	CCS8FECLG	CCS14FECLG



K

Description	Qty	Catalog Number			
		(System 50)	(System 60)	(System 80)	(System 80/140)
Wall joint or Cable wall joint	1	CCS5WJRLG or CCS5WJCRLG	CCS6WJRLG or CCS6WJCRLG	CCS8WJRLG or CCS8WJCRLG	CCS14WJRLG —
Flange elbow coupling	1	CCS5FECLG	CCS6FECLG	CCS8FECLG	CCS14FECLG
Angle adapter 15° or Angle adapter 30°	1	CCS568AA15LG or CCS568AA30LG	CCS568AA15LG or CCS568AA30LG	CCS568AA15LG or CCS568AA30LG	CCS14AA15LG —

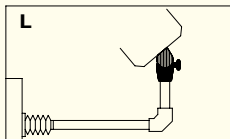
C2803-2



L

Description	Qty	Catalog Number			
		(System 50)	(System 60)	(System 80)	(System 80/140)
Wall joint or Cable wall joint	1	CCS5WJRLG or CCS5WJCRLG	CCS6WJRLG or CCS6WJCRLG	CCS8WJRLG or CCS8WJCRLG	—
Elbow	1	CCS5ELLG	CCS6ELLG	CCS8ELLG	—
Swivel tilt ^a	1	CCS5STBLG	CCS6STBLG	CCS8STBLG	—

^a Maximum load for overhead applications is 110 lbs. (50 kg) including enclosure.



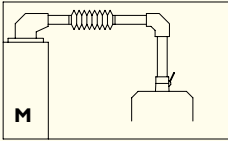
Note to the Specifier: 1. Select pendant system size using the CONCEPT® Series 4 load capacity chart.
2. Tube catalog numbers are not included in configuration tables.



Mounting Options

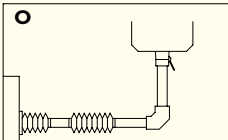
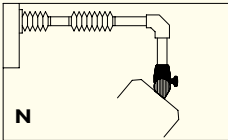
Configurations: COMPACT® Pendant Arm Series 4

M



Description	Qty	Catalog Number			
		(System 50)	(System 60)	(System 80)	(System 80/140)
Set-up joint	1	CCS5SJLG	CCS6SJLG	CCS8SJLG	CCS14SJLG
Intermediate joint	1	CCS5JRLG	CCS6JRLG	CCS8JRLG	CCS14JRLG
Elbow	1	CCS5ELLG	CCS6ELLG	CCS8ELLG	CCS14ELLG
Flange coupling or Swivel tilt	1	CCS5FCLG or CCS5STBLG	CCS6FCLG or CCS6STBLG	CCS8FCLG or CCS8STBLG	CCS14FCLG —

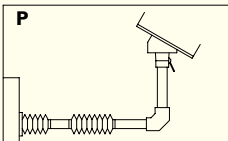
N and O



Description	Qty	Catalog Number			
		(System 50)	(System 60)	(System 80)	(System 80/140)
Wall joint or Cable wall joint	1	CCS5WJRLG or CCS5WJCLG	CCS6WJRLG or CCS6WJCLG	CCS8WJRLG or CCS8WJCLG	CCS14WJRLG —
Intermediate joint	1	CCS5JRLG	CCS6JRLG	CCS8JRLG	CCS14JRLG
Elbow	1	CCS5ELLG	CCS6ELLG	CCS8ELLG	CCS14ELLG
Flange coupling or Swivel tilt ^a	1	CCS5FCLG or CCS5STBLG	CCS6FCLG or CCS6STBLG	CCS8FCLG or CCS8STBLG	CCS14FCLG —

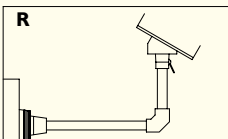
^a Maximum load for overhead applications is 110 lbs. (50 kg) including enclosure.

P



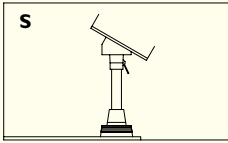
Description	Qty	Catalog Number			
		(System 50)	(System 60)	(System 80)	(System 80/140)
Wall joint or Cable wall joint	1	CCS5WJRLG or CCS5WJCLG	CCS6WJRLG or CCS6WJCLG	CCS8WJRLG or CCS8WJCLG	CCS14WJRLG —
Intermediate joint	1	CCS5JRLG	CCS6JRLG	CCS8JRLG	CCS14JRLG
Elbow	1	CCS5ELG	CCS6ELG	CCS8ELG	CCS14ELG
Flange coupling	1	CCS5FCLG	CCS6FCG	CCS8FCG	CCS14FCLG
Angle adapter 15° or Angle adapter 30°	1	CCS568AA15LG or CCS568AA30LG	CCS568AA15LG or CCS568AA30LG	CCS568AA15LG or CCS568AA30LG	CCS14AA15LG —

R



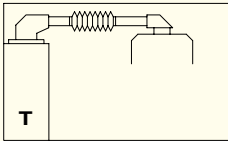
C2803-3

Description	Qty	Catalog Number			
		(System 50)	(System 60)	(System 80)	(System 80/140)
Wall flange	1	CCS5WFG	CCS6WJRLG	CCS8WJRLG	CCS14WJRLG
Elbow	1	CCS5ELLG	CCS6ELLG	CCS8ELLG	CCS14ELLG
Flange coupling	1	CCS5FCLG	CCS6FCLG	CCS8FCLG	CCS14FCLG
Angle adapter 15° or Angle adapter 30°	1	CCS568AA15LG or CCS568AA30LG	CCS568AA15LG or CCS568AA30LG	CCS568AA15LG or CCS568AA30LG	CCS14AA15LG —



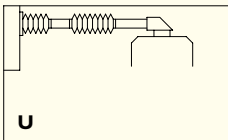
S

Description	Qty	Catalog Number			
		(System 50)	(System 60)	(System 80)	(System 80/140)
Base bracket	1	CCS5BBLG	CCS6BBLG	CCS8BBLG	CCS14BBLG
Flange coupling	1	CCS5FCLG	CCS6FCLG	CCS8FCLG	CCS14FCLG
Angle adapter 15° or Angle adapter 30°	1	CCS568AA15LG or CCS568AA30LG	CCS568AA15LG or CCS568AA30LG	CCS568AA15LG or CCS568AA30LG	CCS14AA15LG —



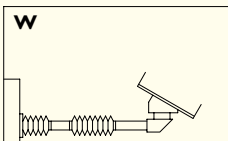
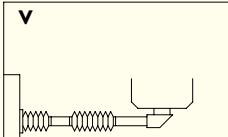
T

Description	Qty	Catalog Number			
		(System 50)	(System 60)	(System 80)	(System 80/140)
Set-up joint	1	CCS5JLG	CCS6JLG	CCS8JLG	CCS14JLG
Intermediate joint	1	CCS5IJRLG	CCS6IJRLG	CCS8IJRLG	CCS14IJRLG
Flange elbow coupling	1	CCS5FECLG	CCS6FECLG	CCS8FECLG	CCS14FECLG



U and V

Description	Qty	Catalog Number			
		(System 50)	(System 60)	(System 80)	(System 80/140)
Wall joint or Cable wall joint	1	CCS5WJRLG or CCS5WJCRLG	CCS6WJRLG or CCS6WJCRLG	CCS8WJRLG or CCS8WJCRLG	CCS14WJRLG —
Intermediate joint	1	CCS5IJRLG	CCS6IJRLG	CCS8IJRLG	CCS14IJRLG
Flange elbow coupling	1	CCS5FECLG	CCS6FECLG	CCS8FECLG	CCS14FECLG



W

Description	Qty	Catalog Number			
		(System 50)	(System 60)	(System 80)	(System 80/140)
Wall joint or Cable wall joint	1	CCS5WJRLG or CCS5WJCRLG	CCS6WJRLG or CCS6WJCRLG	CCS8WJRLG or CCS8WJCRLG	CCS14WJRLG
Intermediate joint	1	CCS5IJRLG	CCS6IJRLG	CCS8IJRLG	CCS14IJRLG
Flange elbow coupling	1	CCS5FECLG	CCS6FECLG	CCS8FECLG	CCS14FECLG
Angle adapter 15° or Angle adapter 30°	1	CCS568AA15LG or CCS568AA30LG	CCS568AA15LG or CCS568AA30LG	CCS568AA15LG or CCS568AA30LG	CCS14AA15LG —

C2803-4

Note to the Specifier: 1. Select pendant system size using the CONCEPT® Series 4 load capacity chart.
2. Tube catalog numbers are not included in configuration tables.



A Pentair Company

Vertical Motion Pendant Arm for NEMA 12 Environments



- System allows operator to easily swing, tilt, swivel, lift, or turn monitor for maximum efficiency, space saving, and comfort
- Monitor can swivel a full 360° and tilt to 20° either up or down
- Mounts to a variety of surfaces, including sturdy machines and posts with optional mounting kits
- Available swing rotation limits protect enclosure from bumping into walls or adjacent equipment
- Heavy-duty steel construction

Finish

RAL 7035 polyester powder paint

Industry Standards

NEMA/EEMAC Type 12

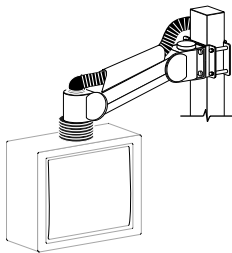
Application

The Hoffman Vertical Motion Pendant Arm has 16 in. of vertical adjustment and can be attached directly to sturdy equipment or mounted on a Hoffman post. The convenient cable management system features an integrated quick-connect tube that provides simple cable routing and isolation. Five feet of tubing is included with the pendant arm; additional tubing is available separately.

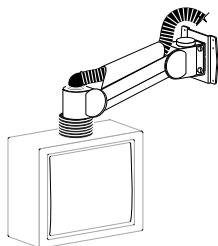
Pendant arm can mount directly to equipment. Available mounting bracket provides additional stability. Available base bracket and post mounting bracket required for post mounting.

Pendant Arm Mounting

Post Mounting

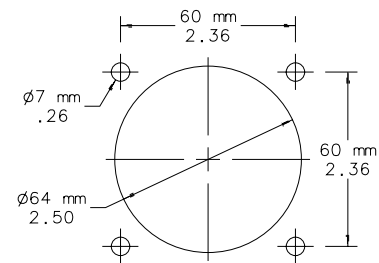


Equipment Mounting



Construction

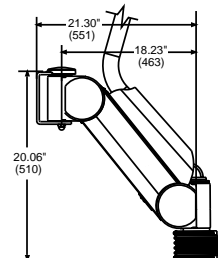
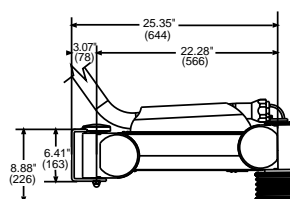
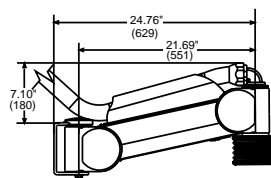
- Meets NEMA 12 standard
- Interfaces with most industrial monitor enclosures. Enclosures must be ordered separately.
- 16 in. (406mm) of vertical adjustment exceeds the 12-7/8 in. (328mm) eye-height variance that includes 95% of the population
- Cable management system with quick-connect tube protects cable and simplifies cable routing
- Arm easily adjusted on-site to counter-balance monitor and enclosure weight for easy equipment changeout
- Arm holds 25-100 lbs (11.4-45.4 kg)



87575836

Standard Sizes Vertical Motion Pendant Arm

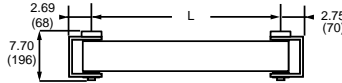
Catalog Number	Weight Capacity		Adjustments		Arm Side-to-side	Vertical		Reach		Weight	
	lbs	kg	Monitor Tilt	Monitor Swivel		in.	mm	in.	mm	lbs	kg
CVMARM	25-100	11.4-45.5	20°	360°	200°	16	406	22	559	38.0	17.2



Mounting Hardware and Optional Components

Extensions

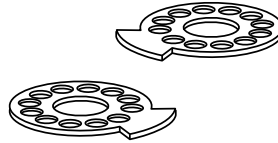
Use with Vertical Motion Pendant Arm to extend monitor up to 30 in. (762mm) from mount. Includes cable management Velcro™ straps for securing cable tube. Depending on application, additional cable tube may be required.



Catalog Number	L		Shipping Wt.	
	in.	mm	lbs	kg
CVMEXT12	12	305	25.0	11.3
CVMEXT18	18	457	27.0	12.3
CVMEXT24	24	610	29.0	13.2
CVMEXT30	30	762	31.0	14.1

Rotation Stop

Fits on pendant arm to limit side-to-side rotation in 7-1/2° increments. Adjusts using 5/32-in. Allen wrench.



Catalog Number	Description	Shipping Wt.	
		lbs	kg
CVMRSTOP	Rotation Stop	1.0	0.5

Mounting Post

Mounting post bolts to the floor to provide a stable vertical pendant arm support. Requires base bracket for mounting to floor and post mounting bracket for mounting vertical pendant arm. See below. Finish is RAL 7035 polyester powder paint. Includes assembly hardware.

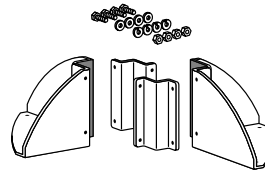


Catalog Number	A	B	Height	Shipping Wt.	
				lbs	kg
CVMP3380	3 (76)	3 (76)	80 (2032)	32.0	14.5
CVMP4480	4 (102)	4 (102)	80 (2032)	82.0	38.6

Millimeter dimensions in ()

Base Bracket

Base bracket fastens post to floor. Finish is RAL 7035 polyester powder paint. Includes assembly hardware.

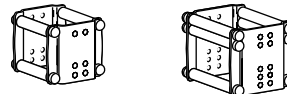


Catalog Number	Use with	Shipping Wt.	
		lbs	kg
CVMBB33	3 x 3 in. (76 x 76mm) post	24.0	10.9
CVMBB44	4 x 4 in. (102 x 102mm) post	28.0	12.7

Post Mounting Bracket

Post mounting bracket fastens vertical pendant arm to post. Finish is RAL 7035 polyester powder paint. Includes assembly hardware.

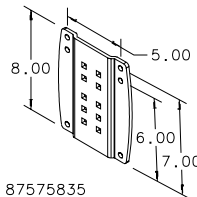
For 3 x 3 in. Post For 4 x 4 in. Post



Catalog Number	Width		Height	Shipping Wt.	
	in.	mm		lbs	kg
CVMPMB33	5.75	145	5.38 138	6.0	2.7
CVMPMB44	6.88	175	6.38 162	8.0	3.6

Base Mounting Bracket

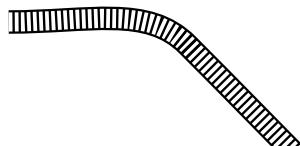
Base mounting bracket fastens vertical pendant arm to equipment. Finish is RAL 7035 polyester powder paint. Includes six 3/8 in.-16 x 8 in. carriage bolts, nuts, and cover caps for fastening to pendant arm.



Catalog Number	Width		Height	Shipping Wt.	
	in.	mm		lbs	kg
CVMBMB	6.63	169	8 203	5.0	2.3

Cable Tube

Cable tube protects cable along vertical pendant arm and extension, if used. A five-foot section is included with pendant arm. Additional tubing is available by the foot, with a five-foot minimum.



Catalog Number	Inside Diameter		Shipping Wt.
	in.	mm	
CVMCT	2	813	3 per 5 ft 1.4 per 1.5m

™ Velcro is a registered trademark of Velcro Industries B.V.



A Pentair Company

Stainless Steel Operator Interface Enclosures and Pendant Arms



Application

These stainless steel front-door control enclosures are particularly well-suited for suspending process and control equipment in the food and pharmaceutical industries where ease of cleaning and corrosion resistance are particularly important.

Designed for use with the CS480 and CS600 stainless steel pendant arm systems.



Construction

- Front door hinged on side
- Foamed gaskets
- Facilities for installing mounting plates
- Stainless steel safety lock mounted at side, away from protected space

Material and Finish

Enclosure	1.5 mm Type 304 stainless steel
Front door	1.5 mm Type 304 stainless steel
Gaskets	Polyurethane foam

Industry Standards

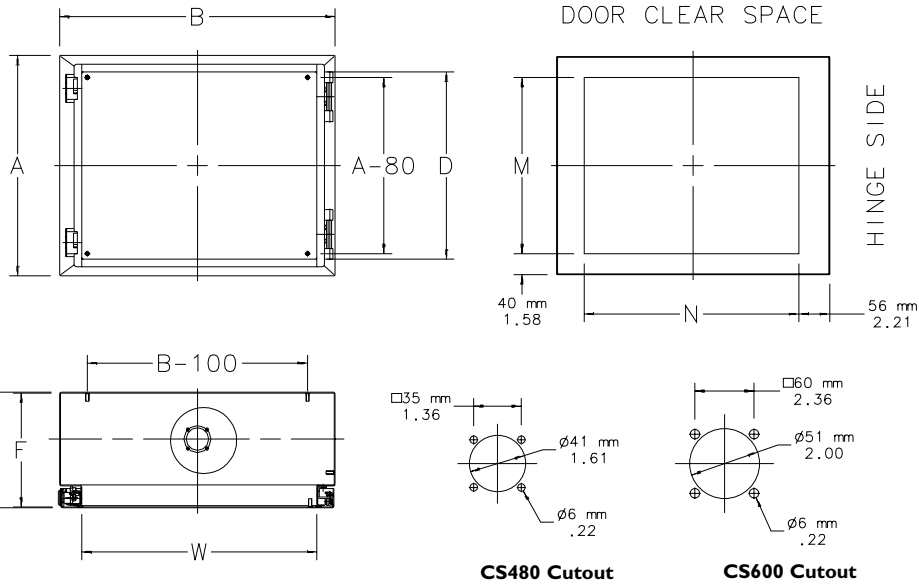
UL 508A, 508, File No. E6199: Type 4, Type 4X, and Type 12
 cUL CSA C22.2 No. 94, File No. E61997: Type 4, Type 4X, and Type 12
 IEC 60529, IP66

Catalog Number	Pendant Cutout	Weight	
		lb	kg
CS480			
CCC48S302513	CS480	14	6.4
CCC48S303513	CS480	14	6.4
CCC48S354016	CS480	16	7.3
CCC48S404016	CS480	20	9.1
CCC48S405021	CS480	26	11.8
CCC48S455521	CS480	28	12.7
CCC48S505521	CS480	30	13.6
CCC48S605521	CS480	32	14.5
CS600			
CCC60S354016	CS600	16	7.3
CCC60S404016	CS600	20	9.1
CCC60S405021	CS600	26	11.8
CCC60S455521	CS600	28	12.7
CCC60S505521	CS600	30	13.6
CCC60S605521	CS600	32	14.5
CCC60S605530	CS600	36	16.3

Standard Sizes CS480/CS600 Stainless Steel Operator Interface Enclosures and Pendant Arms

CS480 Catalog Number	CS600 Catalog Number	Enclosure External Dimensions A x B x C	A	B	C	D	W	F	Door Clear Space		Mounting Plate Catalog Number
									M	N	
CCC48S302513	—	300 x 250 x 130	300 (11.81)	250 (9.84)	130 (5.12)	240 (9.45)	177 (6.96)	125 (4.90)	220 (8.66)	140 (5.51)	CCCP3025
CCC48S303513	—	300 x 350 x 130	300 (11.81)	350 (13.78)	130 (5.12)	240 (9.45)	277 (10.86)	125 (4.90)	220 (8.66)	240 (9.45)	CCCP3035
CCC48S354016	CCC60S354016	350 x 400 x 160	350 (13.78)	400 (15.75)	160 (6.30)	290 (11.42)	327 (12.86)	155 (6.08)	270 (10.63)	290 (11.42)	CCCP3540
CCC48S404016	CCC60S404016	400 x 400 x 160	400 (15.75)	400 (15.75)	160 (6.30)	340 (13.39)	327 (12.86)	155 (6.08)	320 (12.59)	290 (11.42)	CCCP4040
CCC48S405021	CCC60S405021	400 x 500 x 210	400 (15.75)	500 (19.69)	210 (8.27)	340 (13.39)	427 (16.80)	205 (8.05)	320 (12.59)	390 (15.35)	CCCP4050
CCC48S455521	CCC60S455521	450 x 550 x 210	450 (17.72)	550 (21.69)	210 (8.27)	390 (15.35)	477 (18.77)	205 (8.05)	370 (14.57)	440 (17.32)	CCCP4555
CCC48S505521	CCC60S505521	500 x 550 x 210	500 (19.69)	550 (21.69)	210 (8.27)	440 (17.32)	477 (18.77)	205 (8.05)	420 (16.54)	440 (17.32)	CCCP5055
CCC48S605521	CCC60S605521	600 x 550 x 210	600 (23.62)	550 (21.69)	210 (8.27)	540 (21.26)	477 (18.77)	205 (8.05)	520 (20.47)	440 (17.32)	CCCP6055
—	CCC60S605530	600 x 550 x 300	600 (23.62)	550 (21.69)	300 (11.81)	540 (21.26)	477 (18.77)	295 (11.60)	520 (20.47)	440 (17.32)	CCCP6055

Inch dimensions in ().

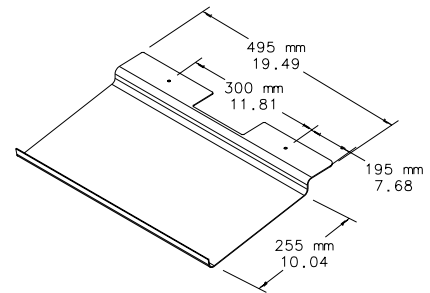


Keyboard Shelf

Shelf is for 350mm and wider enclosures; in stainless steel. 10° slope. Mounting hardware included. Enclosure machining required.



Catalog Number	Description
CCSSKBT	Keyboard shelf



87746342

Mounting plate

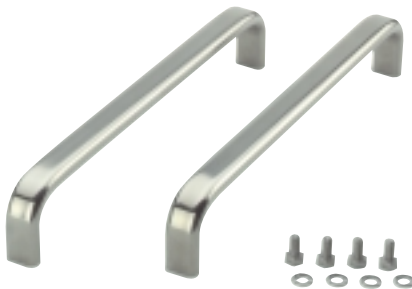
Plate is for mounting equipment on the rear panel. Mounted using pins on the rear panel.



Catalog Number	Dimensions Height	Width
CCCP3025	230 (9.06)	170 (6.69)
CCCP3035	230 (9.06)	270 (10.63)
CCCP3540	280 (11.02)	320 (12.60)
CCCP4040	330 (12.99)	320 (12.60)
CCCP4050	330 (12.99)	420 (16.54)
CCCP4555	380 (14.96)	470 (18.50)
CCCP5055	430 (16.93)	470 (18.50)
CCCP6055	530 (20.87)	470 (18.50)

Handles

Handles are in stainless steel for mounting on enclosure sides. Mounting hardware included. Enclosure machining required.

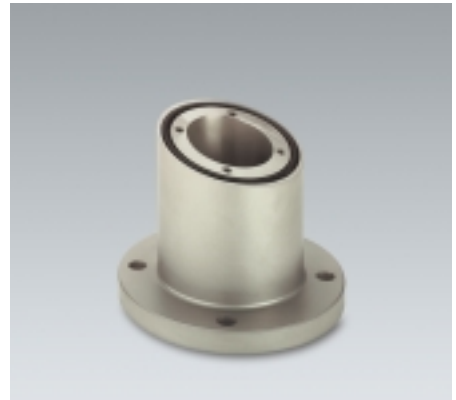
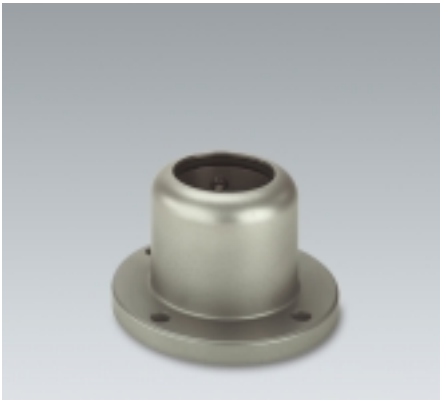


Catalog Number	Description
CCSSHDL	Handles for CC480/600 enclosures



Mounting Options

CS480 Stainless Steel Pendant Arm



Application

The CS480 Stainless Steel Pendant Arm System is particularly well suited for suspending process and control equipment in the food and pharmaceutical industries, where ease of cleaning and corrosion resistance are particularly important.

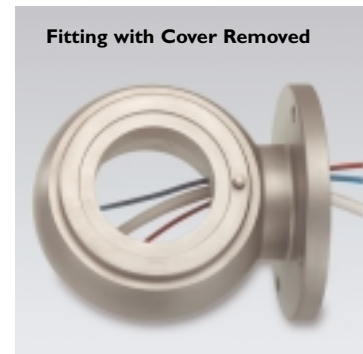
Swivel brackets allow the equipment to swing out for use and to move out of the way when not needed.

A variety of preformed straight and angled tubing and fittings is available to meet the requirements of many different applications. Brackets are available for wall or machine and floor mounting.

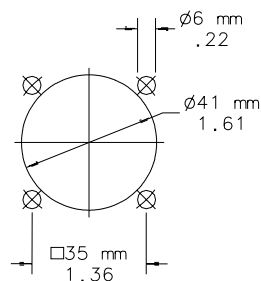
This system is rated for loads as shown the chart that follows. For heavier equipment, see the CS600 section.

Construction

- Tubing clamps into position with setscrews for easy assembly and smooth appearance
- Load capacity 400 N (89.6 lbs) at 1m (39.37 in.). See load capacity chart on next page for details.
- Fixed or swivel mounting, straight or at a 15-degree angle
- 90-degree fittings have a removable cover that allows easy access for wiring
- The coupling hole geometries for enclosure machining are shown in the diagram below.



Coupling Hole Geometry for Enclosure Machining



Materials and Finish

Tubing	Type 304 Polished Stainless Steel
Fittings	Type 304 Polished Stainless Steel

NOTE: Brushed stainless steel finish shown.

Industry Standards

IEC 60529, IP66



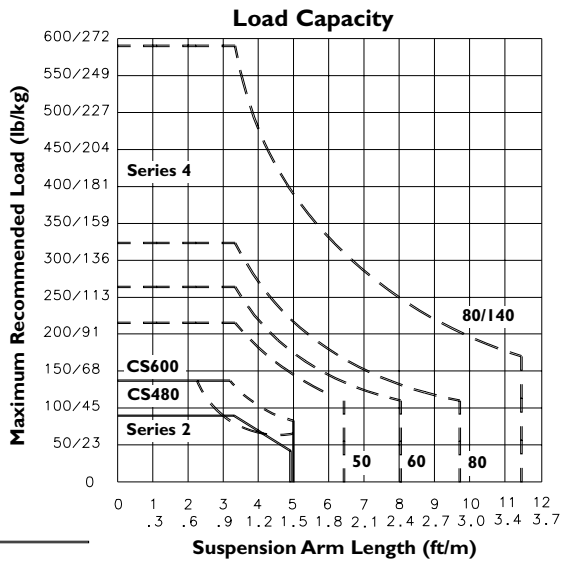
87746343

Load Diagram

The load capacity of the CS480 pendant arm system is shown in the diagram. Choose the CS600 system for larger loads.

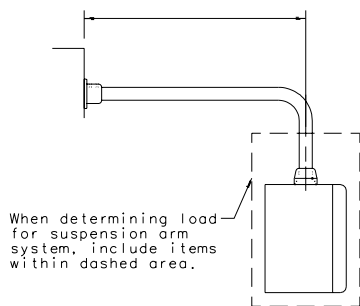
System Combinations

The wide variety of components permits a high level of flexibility in configuring the system. Some possible combinations are shown here.

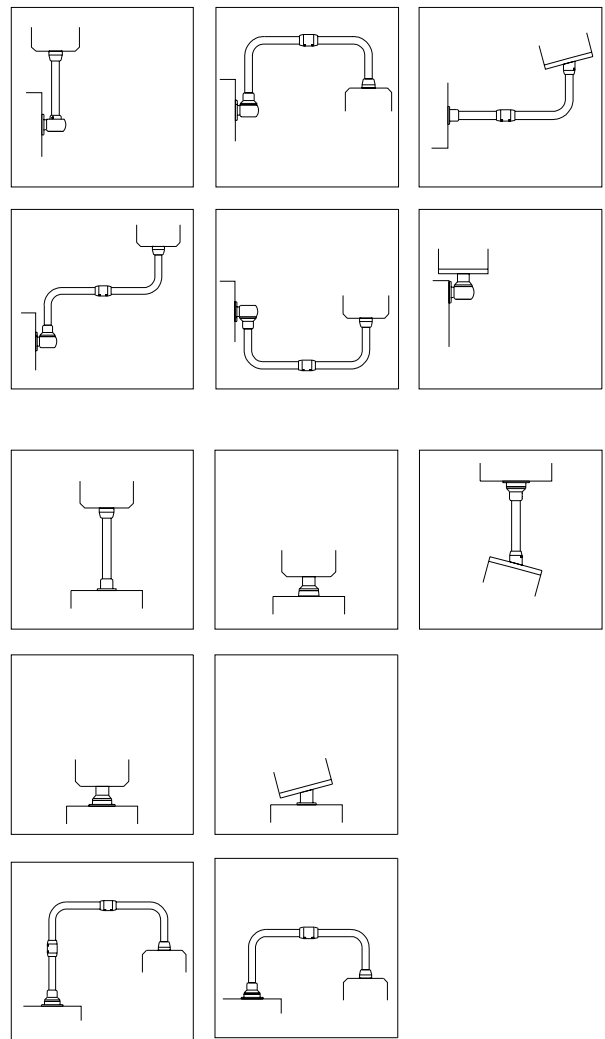


- Series 2 ————
- Series 4 - - - - -
- CS480 - - - - -
- CS600 - - - - -

C2750



87746344

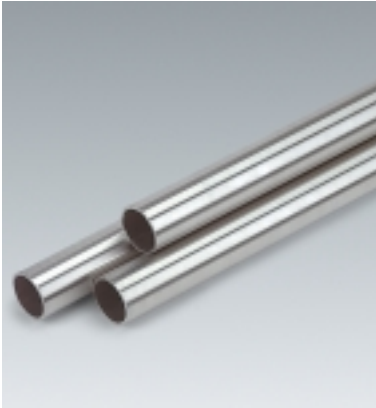




A Pentair Company

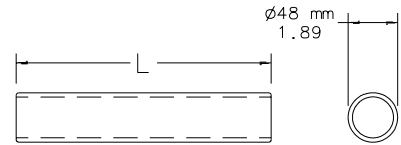
Mounting Options

CS480 Stainless Steel Pendant Arm



Straight Tubing

Straight tubing has an outer diameter of 48.3mm (1.90 in.) and is made from 3.6mm wall thickness Type 304 polished stainless steel.



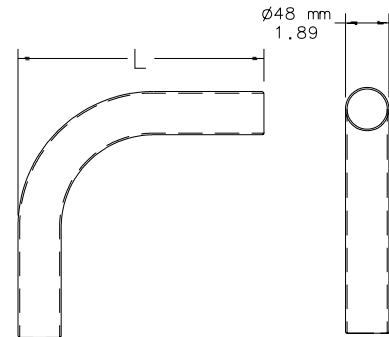
Catalog Number	L		Ship Wt.	
	mm	in.	kg	lbs.
CCSS48T25	250	9.84	1.13	2.5
CCSS48T50	500	19.69	2.13	4.7
CCSS48T75	750	29.53	3.18	7.0
CCSS48T100	1000	39.37	4.40	9.7
CCSS48T125	1250	49.21	5.44	12.0
CCSS48T150	1500	59.06	6.67	14.7

Inch dimensions in ().



L-Shaped Tubing

L-shaped tubing has an outer diameter of 48.3mm (1.90) and is made from 3.6mm-thick Type 304 polished stainless steel. It is used with coupling sleeves and straight tubing to provide the desired system configuration.



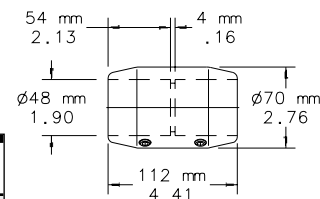
Catalog Number	L		Ship Wt.	
	mm	in.	kg	lbs.
CCSS48TLB25	250 x 250	(9.84 x 9.84)	2.4	5.3
CCSS48TLB50	500 x 500	(19.69 x 19.69)	4.76	10.5

Inch dimensions in ().



Coupling Sleeve

The coupling sleeve joins sections of tubing in the CS480 system. Type 304 polished stainless steel finish (brushed finish shown). Includes gaskets.



Catalog Number	Description	Ship Wt.	
		kg	lbs.
CCSS48CS	CS480 system coupling sleeve	1.4	3.5

87746345

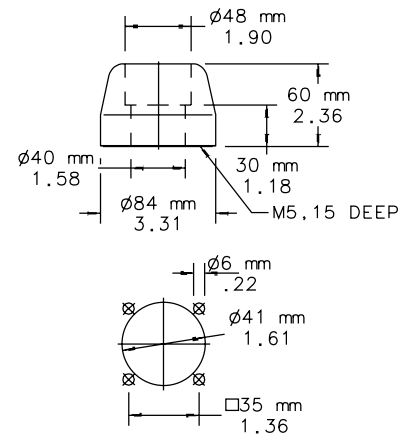
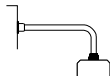




Straight Coupling

Flange coupling for attaching enclosures. Turns through 340° with rotation limiter. Preset torque. Maintenance-free bearings. Type 304 polished stainless steel finish (brushed finish shown). Includes gaskets and mounting hardware.

Catalog Number	Description	Ship Wt. kg	Ship Wt. lbs.
CCSS48FC	Straight coupling for enclosures	1.4	3.5



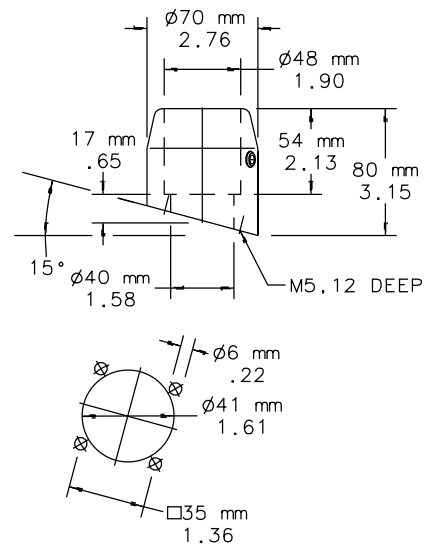
NOTE: Recommended mounting hole size shown.



Angle Coupling

Rigid flange coupling with 15° angle of inclination for attaching enclosures. Type 304 polished stainless steel finish (brushed finish shown). Includes gaskets and mounting hardware.

Catalog Number	Description	Ship Wt. kg	Ship Wt. lbs.
CCSS48AC15	Angle coupling for enclosures	1.0	2.0



87746346

NOTE: Recommended mounting hole size shown.



A Pentair Company

Mounting Options

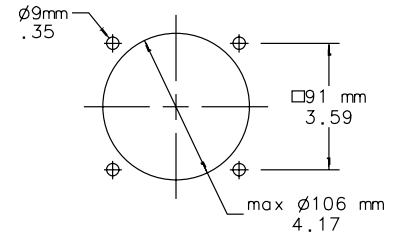
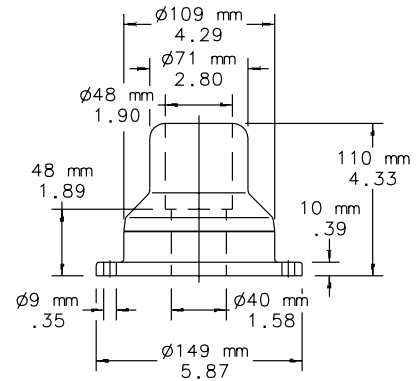
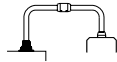
CS480 Stainless Steel Pendant Arm



Swivel Base for External Attachment

Swivel base for mounting to machine or floor. Turns through 340° with rotation limiter. Preset torque. Maintenance-free bearings. Type 304 polished stainless steel finish (brushed finish shown). Includes gaskets. Wall-mounting fasteners not provided.

Catalog Number	Description	Ship Wt.	
		kg	lbs.
CCSS48BBRE	Swivel base, external	4.2	9.5



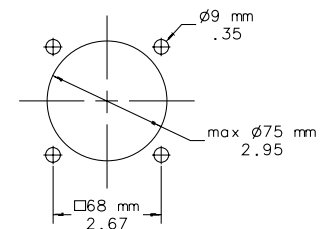
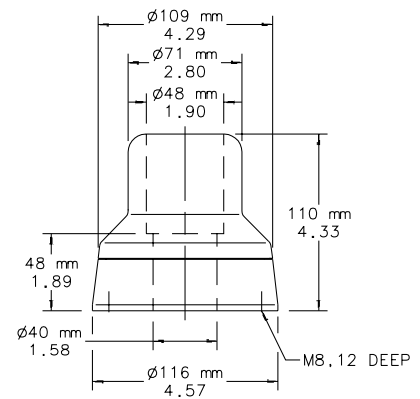
NOTE: Recommended mounting hole size shown.



Swivel Base for Internal Mounting

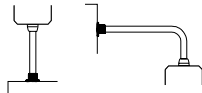
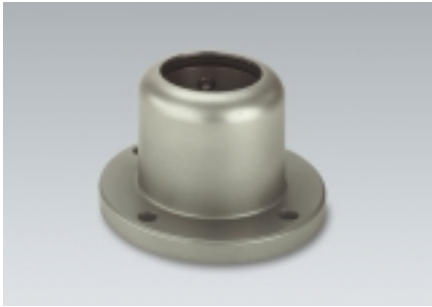
Swivel base for mounting to machine or floor. Turns through 340° with rotation limiter. Preset torque. Maintenance-free bearings. Type 304 polished stainless steel finish (brushed finish shown). Includes gaskets. Wall-mounting fasteners not provided.

Catalog Number	Description	Shipping Weight	
		kg	lbs.
CCSS48BBRI	Swivel base, internal	4.2	9.52



87746348

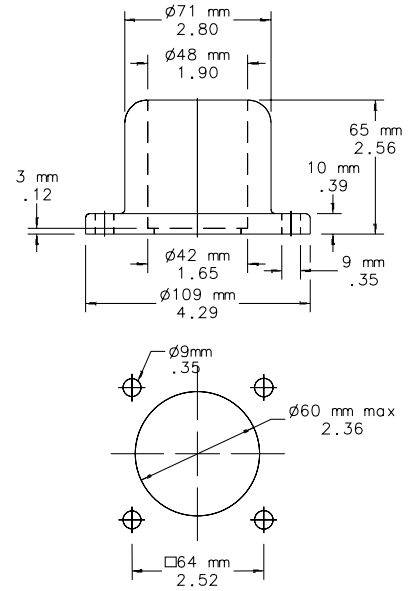
NOTE: Recommended mounting hole size shown.



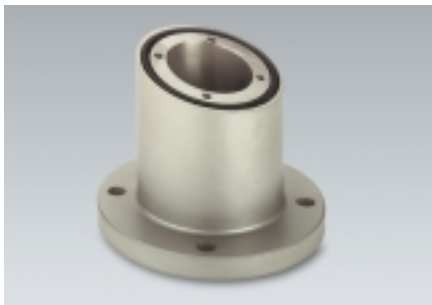
Base Bracket/Wall Flange

Use as base bracket or wall flange to mount to vertical or horizontal surfaces. Type 304 polished stainless steel finish (brushed finish shown). Includes gaskets. Wall-mounting fasteners not provided.

Catalog Number	Description	Ship Wt.	
		kg	lbs.
CCSS48BB	Base bracket/wall flange	1.4	3.5



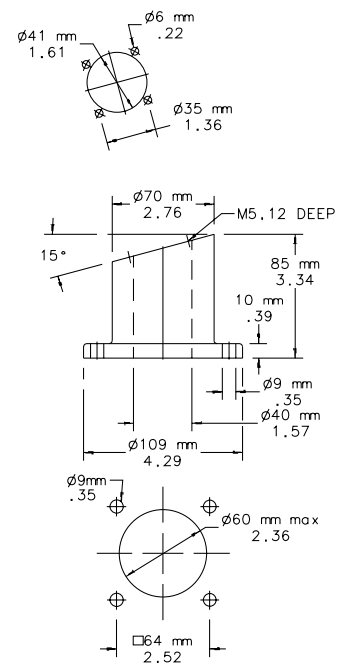
NOTE: Recommended mounting hole size shown.



Base Bracket Angle Coupling

Rigid 15° coupling for direct mounting of enclosures to horizontal and vertical surfaces. Type 304 polished stainless steel finish (brushed finish shown). Includes gaskets and enclosure mounting hardware. Wall-mounting fasteners not provided.

Catalog Number	Description	Ship Wt.	
		kg	lbs.
CCSS48ACBB	Base bracket angle coupling	1.9	4.5



87746349

NOTE: Recommended mounting hole size shown.



A Pentair Company

Mounting Options

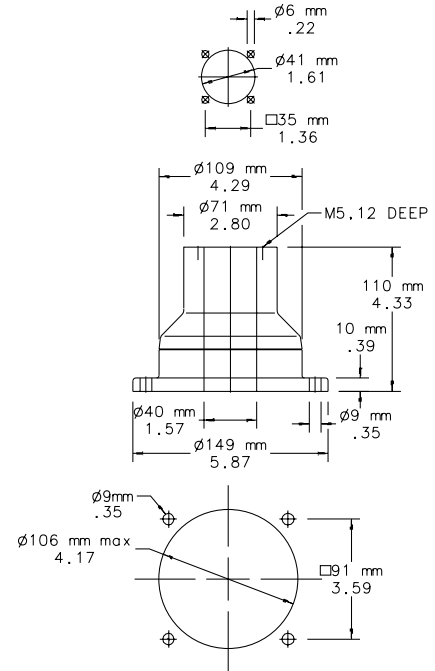
CS480 Stainless Steel Pendant Arm



Swivel Base External Bracket Coupling

Swivel base external bracket coupling for mounting enclosures directly to a machine or the floor. Turns through 340° with rotation limiter. Preset torque. Maintenance-free bearings. Type 304 polished stainless steel finish (brushed finish shown). Includes gaskets and enclosure mounting hardware. Wall-mounting fasteners not provided.

Catalog Number	Description	Ship Wt.	
		kg	lbs.
CCSS48BBCRE	Swivel base external bracket coupling	4.5	9.92



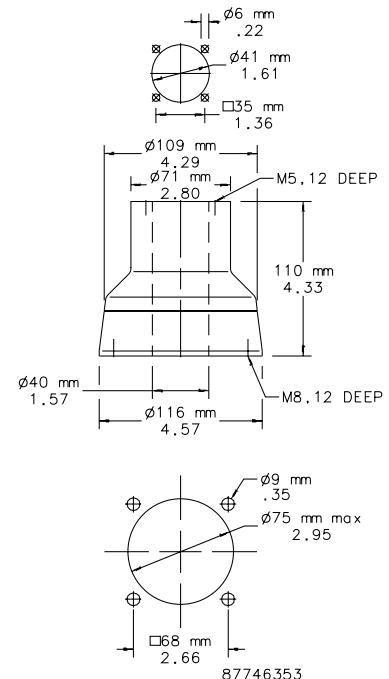
NOTE: Recommended mounting hole size shown.



Swivel Base Internal Bracket Coupling

Swivel base internal bracket coupling for directly mounting enclosures to a machine or the floor. Turns through 340° with rotation limiter. Preset torque. Maintenance-free bearings. Type 304 polished stainless steel finish (brushed finish shown). Includes gaskets and enclosure mounting hardware. Wall-mounting fasteners not provided.

Catalog Number	Description	Ship Wt.	
		kg	lbs.
CCSS48BBCRI	Swivel base internal bracket coupling	4.1	9.03



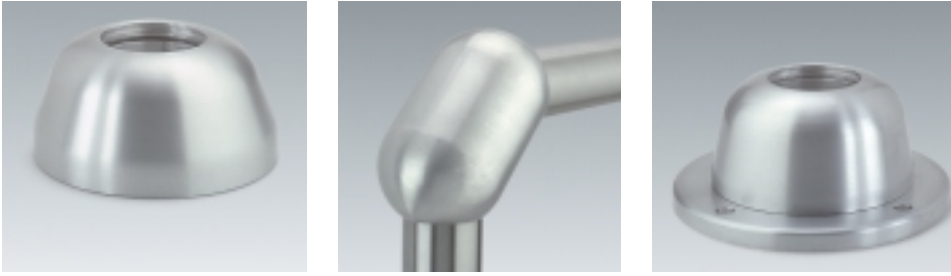
NOTE: Recommended mounting hole size shown.



A Pentair Company

Mounting Options

CS600 Stainless Steel Pendant Arm



Application

The CS600 Stainless Steel Pendant Arm System is particularly well suited for suspending process and control equipment in the food and pharmaceutical industries, where ease of cleaning and corrosion resistance are particularly important.

Swivel brackets allow the equipment to swing out for use and to move out of the way when not needed.

Preformed straight tubing and a variety of fittings are available to meet the requirements of many different applications. Brackets are available for wall or machine and floor mounting.

This system is rated for loads shown in the load chart that follows. See the CS480 section for smaller loads.

Construction

- Tubing clamps into position for easy assembly and smooth appearance
- No external screws to trap dirt.
- Load capacity 600 N (134.89 lbs) at 1m (39.37 in.). See chart for details.
- Fixed or swivel mounting, straight or at a 15-degree angle
- 90-degree fittings have a removable cover that allows easy access for wiring
- Anti-vibration capability
- The coupling hole geometries for enclosure machining are shown in the diagram below.



Materials and Finish

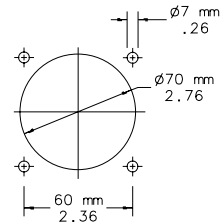
Tubing	Type 304 Stainless Steel
Fittings	Type 304 Stainless Steel

Industry Standards

IEC 60529, IP66



Coupling Hole Geometry for Enclosure Machining



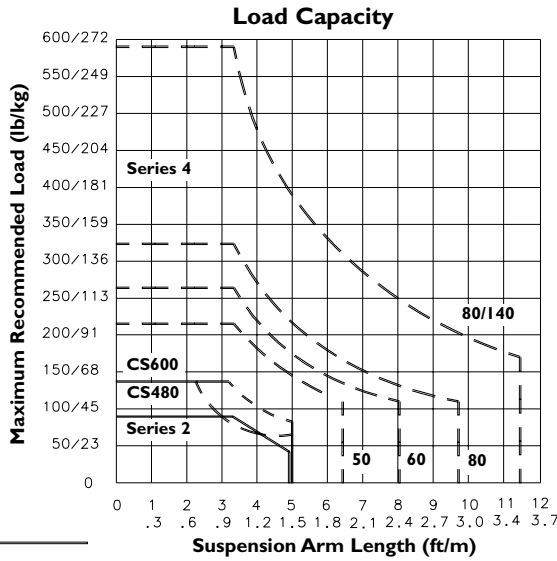
87746359

Load Diagram

The load capacity of the CS600 pendant arm system is shown in the diagram. Choose the CS480 system for smaller loads.

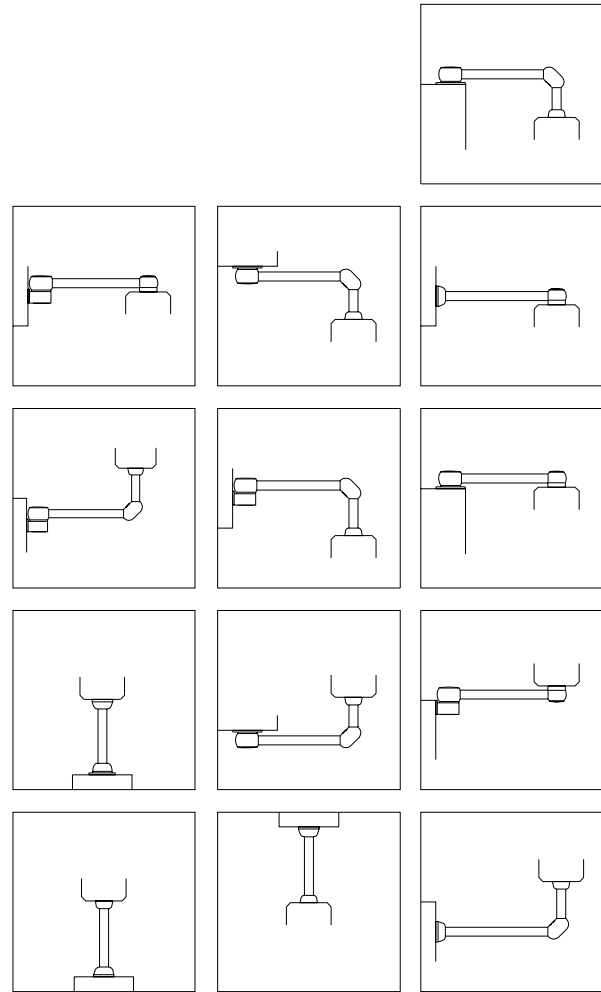
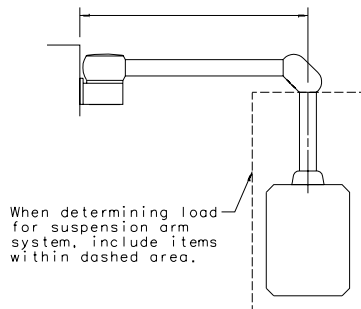
System Combinations

The wide variety of components permits a high level of flexibility in configuring the system. Some possible combinations are shown here.



- Series 2 —————
- Series 4 - - - - -
- CS480 - - - - -
- CS600 - - - - -

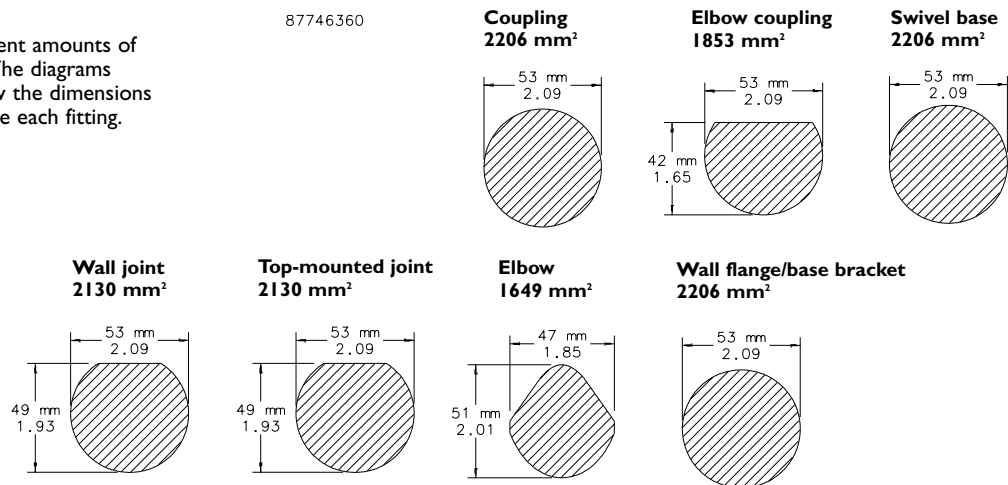
C2750



Cable Entry Space

Different fittings offer different amounts of space for cables and leads. The diagrams below and to the right show the dimensions at the narrowest point inside each fitting.

87746360

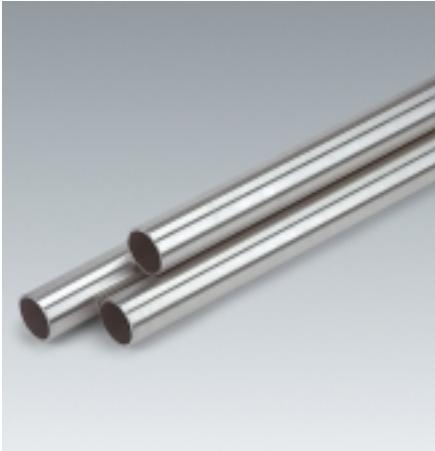




A Pentair Company

Mounting Options

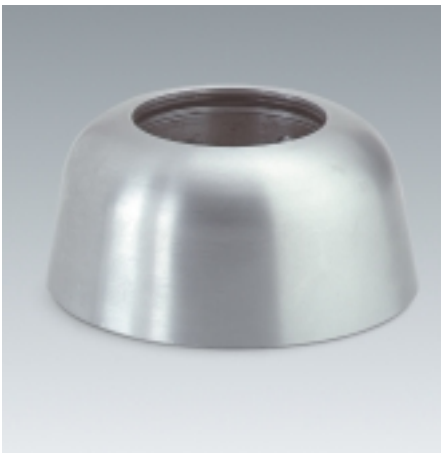
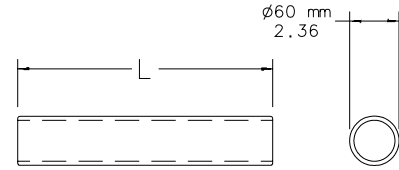
CS600 Stainless Steel Pendant Arm



Tubing

Tubes have 60.3mm (2.37 in.) outer diameter and are made from 3.6mm wall thickness stainless steel.

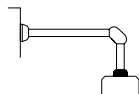
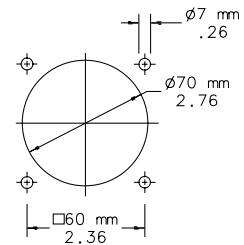
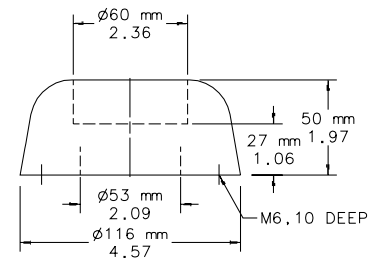
Catalog Number	L		Ship Wt.	
	mm	in.	kg	lbs.
CCSST25	250.0	9.84	1.18	2.6
CCSST50	500.0	19.69	2.36	5.2
CCSST75	750.0	29.53	3.40	7.5
CCSST100	1000.0	39.37	4.63	10.2
CCSST125	1250.0	49.21	5.85	12.9
CCSST150	1500.0	59.06	15.3	6.94



Coupling

Flange coupling for mounting enclosures. Turns through 300° with rotation limiter. Preset torque. Maintenance-free bearings. Includes gaskets and mounting hardware.

Catalog Number	Description	Ship Wt.	
		kg	lbs.
CCSSF6	Stainless steel	2.18	4.8



87746361

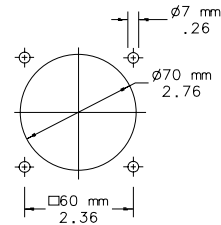
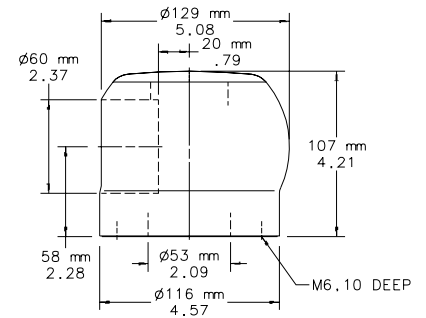
NOTE: Recommended mounting hole size shown.



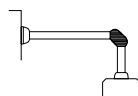
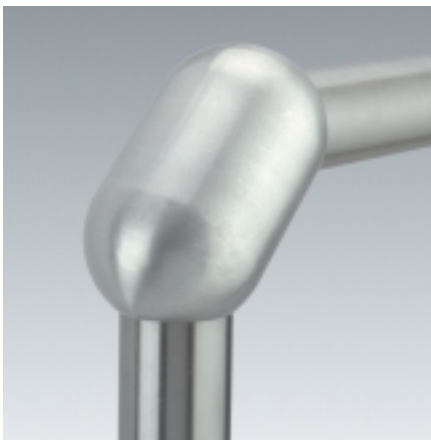
Elbow Coupling

Flange elbow coupling for attaching enclosures. Assembly aperture cover conceals screws for easier cleaning. Turns through 300° with rotation limiter. Preset torque. Maintenance-free bearings. Includes gaskets and mounting hardware.

Catalog Number	Description	Ship Wt.	
		kg	lbs.
CCSSEC	Stainless steel	6.49	14.3



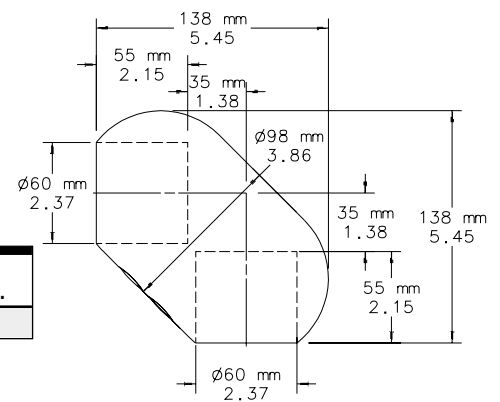
NOTE: Recommended mounting hole size shown.



Elbow

Elbow for connecting two tubes at 90°. Includes screw cover and gaskets.

Catalog Number	Description	Ship Wt.	
		kg	lbs.
CCSSE	Stainless steel	4.45	9.8



87746362



A Pentair Company

Mounting Options

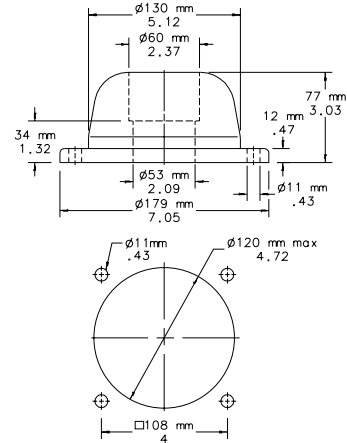
CS600 Stainless Steel Pendant Arm



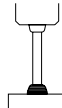
Swivel Base

Swivel base for mounting to machine or floor. Turns through 300° with rotation limiter. Preset torque. Maintenance-free bearings. Includes gaskets. Wall-mounting fasteners not provided.

Catalog Number	Description	Ship Wt.	
		kg	lbs.
CCSSBBT	Stainless steel	5.72	12.6



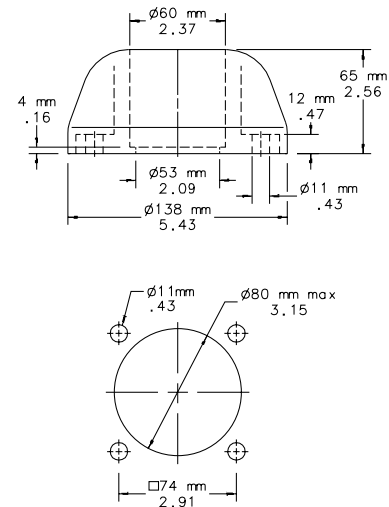
NOTE: Recommended mounting hole size shown.



Wall Flange/Base Bracket

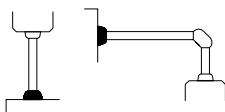
Wall flange or base bracket for mounting to horizontal and vertical surfaces. Includes gaskets. Wall-mounting fasteners not provided.

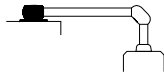
Catalog Number	Description	Ship Wt.	
		kg	lbs.
CCSSWFB	Stainless steel	3.67	8.1



87746363

NOTE: Recommended mounting hole size shown.

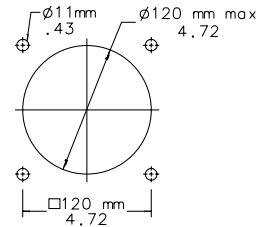
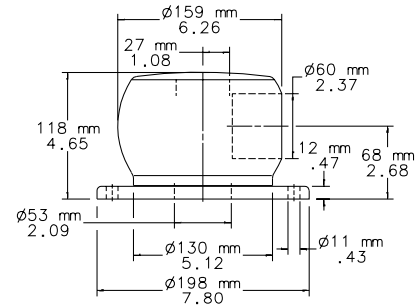




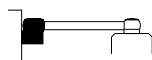
Top-Mounted Joint

Top-mounted joint for mounting to horizontal surfaces. Assembly aperture cover conceals screws for easier cleaning. Turns through 300° with rotation limiter. Preset torque. Maintenance-free bearings. Includes gaskets. Wall-mounting fasteners not provided.

Catalog Number	Description	Ship Wt. kg	lbs.
CCSSJ	Stainless steel	13.65	30.1



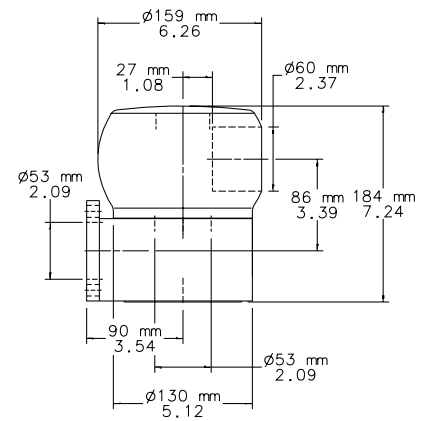
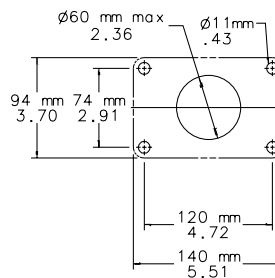
NOTE: Recommended mounting hole size shown.



Wall Joint

Wall joint for mounting to vertical surfaces. Assembly aperture cover conceals screws for easier cleaning. Turns through 300° with rotation limiter. Preset torque. Maintenance-free bearings. Includes gaskets. Wall-mounting fasteners not provided.

Catalog Number	Description	Ship Wt. kg	lbs.
CCSSWJ	Stainless steel	16.01	35.3



87746364

NOTE: Recommended mounting hole size shown.



A Pentair Company

PROLINE® Gold Series Computer Workstation Enclosures



Application

The PROLINE® Gold Series Computer Workstation Enclosure offers a full-featured, ready-to-use solution for protecting computer systems in an industrial environment. A full set of accessories is available.

The enclosure includes an upper front window door, a lower front solid door, a full-length solid rear door, two vented shelves (four on 1200mm-wide models), and a keyboard compartment with a slide-out mouse tray. The upper front has a five-degree slope.

Doors are equipped with a patented PROLINE® latching system and keylocking swing handles or quarter-turn latches. The keyboard compartment has two pushbutton latches, one with keylock.

Enclosures are shipped as described. Optional components are shipped as separate items.

Construction

- 14 gauge steel body
- 14 and 16 gauge steel doors and covers
- Seams continuously welded and ground smooth
- Seamless foam-in-place gasket on all doors and covers
- Smoke gray 0.25-in.-thick polycarbonate window on upper front door
- Quarter-turn latches on upper front door for 1400mm high cabinets
- PROLINE® latching system and keylocking swing door handles on upper front door for 1600mm and 1800mm high cabinets
- Solid lower front and full rear doors with keylocking swing door handles
- Internal rails facilitate mounting of PROLINE® internal components



- Options include solid upper front door and solid front and rear covers with screw fasteners
- Full rear opening provides maximum mounting space and easy access to interior components
- Optional partial subpanel
- Hinges on bottom for 1400mm enclosures
- Solid centerpost on front for 1200mm enclosures

Finish

Cabinet finish is RAL 7035 textured light gray polyester powder paint.

Keyboard door finish is RAL 9005 textured black polyester powder paint.

Industry Standards

UL 508A, 508, File Number E61997: Type 12
cUL CSA C22.2 No. 94, File No. E61997:

Type 12
NEMA/EEMAC Type 12
IEC 60529, IP55

Accessories

See Chapter 1, Modular Enclosure Systems, for additional PROLINE® internal and external components.

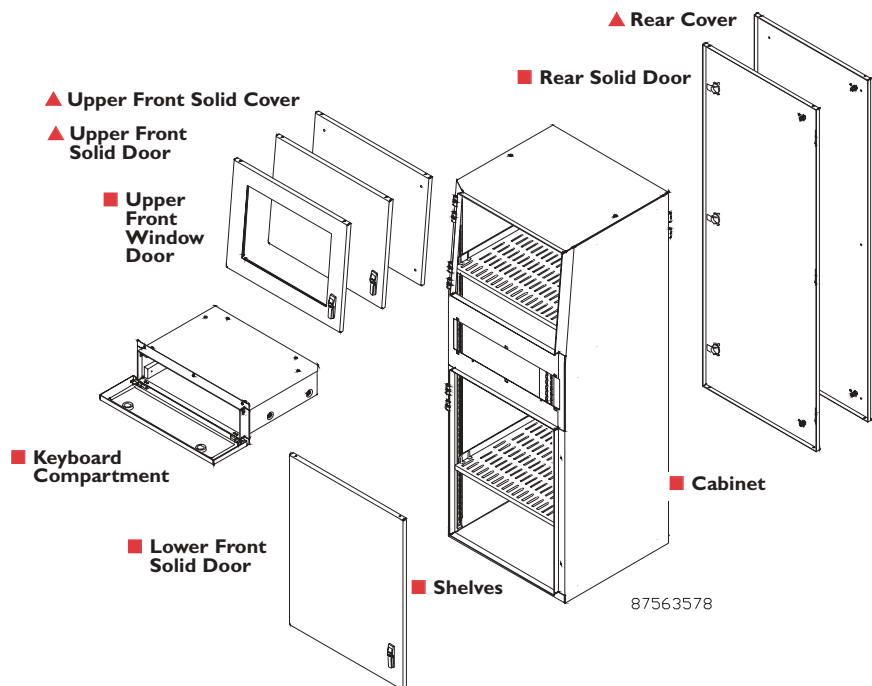
- Casters
- Corrosion Inhibitors
- Data Pocket
- Electric Heaters
- Fan Cooling Products
- Grid Straps and Fasteners
- Handles and Latches
- Key Inserts
- 180° Hinge Kit
- Panels
- Rack Angles
- Touch-Up Paint

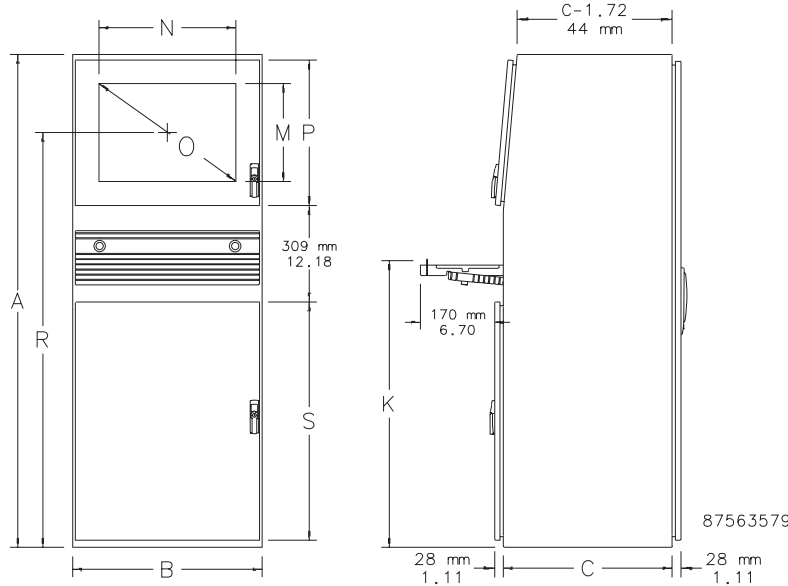
Standard Configuration

- Cabinet
- Keyboard compartment
- Shelf (2)
- Upper front window door
- Lower front solid door
- Rear solid door
- Lifting eyes

Optional Components

- ▲ Upper front solid door
- ▲ Upper front solid cover
- ▲ Rear cover





Standard Sizes PROLINE® Gold Series Computer Workstation Enclosure [Inch dimensions in (.)]

Catalog Number	Nominal Size Ht. x Width x Depth	A mm	B mm	C mm	K mm	M mm	N mm	O mm	P mm	R mm	S mm
PGLD1466CWS	1400 x 600 x 600	1526 (60.08)	608 (23.94)	542 (21.34)	886 (34.88)	319 (12.56)	440 (17.32)	544 (21.42)	471 (18.54)	1288 (50.71)	759 (29.88)
PGLD1468CWS	1400 x 600 x 800	1526 (60.08)	608 (23.94)	742 (29.21)	886 (34.88)	319 (12.56)	440 (17.32)	544 (21.42)	471 (18.54)	1288 (50.71)	759 (29.88)
PGLD1486CWS	1400 x 800 x 600	1526 (60.08)	808 (31.81)	542 (21.34)	886 (34.88)	319 (12.56)	640 (25.20)	715 (28.15)	471 (18.54)	1288 (50.71)	759 (29.88)
PGLD1666CWS	1600 x 600 x 600	1583 (62.32)	608 (23.94)	542 (21.34)	916 (36.06)	316 (12.44)	440 (17.32)	542 (21.34)	468 (18.43)	1331 (52.40)	766 (30.16)
PGLD1668CWS	1600 x 600 x 800	1583 (62.32)	608 (23.94)	742 (29.21)	916 (36.06)	316 (12.44)	440 (17.32)	542 (21.34)	468 (18.43)	1331 (52.40)	766 (30.16)
PGLD1686CWS	1600 x 800 x 600	1583 (62.32)	808 (31.81)	542 (21.34)	916 (36.06)	316 (12.44)	640 (25.20)	714 (28.11)	468 (18.43)	1331 (52.40)	766 (30.16)
PGLD1866CWS	1800 x 600 x 600	1785 (70.28)	608 (23.94)	542 (21.34)	916 (36.06)	517 (20.35)	440 (17.32)	679 (26.73)	669 (26.34)	1431 (56.34)	766 (30.16)
PGLD1868CWS	1800 x 600 x 800	1785 (70.28)	608 (23.94)	742 (29.21)	916 (36.06)	517 (20.35)	440 (17.32)	679 (26.73)	669 (26.34)	1431 (56.34)	766 (30.16)
PGLD1886CWS	1800 x 800 x 600	1785 (70.28)	809 (31.81)	542 (21.34)	916 (36.06)	517 (20.35)	640 (25.20)	823 (32.40)	669 (26.34)	1431 (56.34)	766 (30.16)

Standard Sizes PROLINE® Gold Series Computer Workstation Door Opening Sizes [Inch dimensions in (.)]

Catalog Number	Nominal Size Ht. x Width x Depth	Top Door Opening		Bottom Door Opening		Rear Door Opening	
		Height	Width	Height	Width	Height	Width
PGLD1466CWS	1400 x 600 x 600	406 (16.00)	536 (21.10)	709 (27.91)	536 (21.10)	1454 (57.25)	536 (21.10)
PGLD1468CWS	1400 x 600 x 800	406 (16.00)	536 (21.10)	709 (27.91)	536 (21.10)	1454 (57.25)	536 (21.10)
PGLD1486CWS	1400 x 800 x 600	406 (15.98)	736 (28.98)	709 (27.91)	736 (28.98)	1454 (57.25)	736 (28.98)
PGLD1666CWS	1600 x 600 x 600	436 (17.17)	536 (21.10)	739 (29.09)	536 (21.10)	1511 (59.49)	536 (21.10)
PGLD1668CWS	1600 x 600 x 800	436 (17.17)	536 (21.10)	739 (29.09)	536 (21.10)	1511 (59.49)	536 (21.10)
PGLD1686CWS	1600 x 800 x 600	436 (17.17)	736 (28.98)	739 (29.09)	736 (28.98)	1511 (59.49)	736 (28.98)
PGLD1866CWS	1800 x 600 x 600	637 (25.08)	536 (21.10)	739 (29.09)	536 (21.10)	1711 (67.36)	536 (21.10)
PGLD1868CWS	1800 x 600 x 800	637 (25.08)	536 (21.10)	739 (29.09)	536 (21.10)	1711 (67.36)	536 (21.10)
PGLD1886CWS	1800 x 800 x 600	637 (25.08)	736 (28.98)	739 (29.09)	736 (28.98)	1711 (67.36)	736 (29.98)



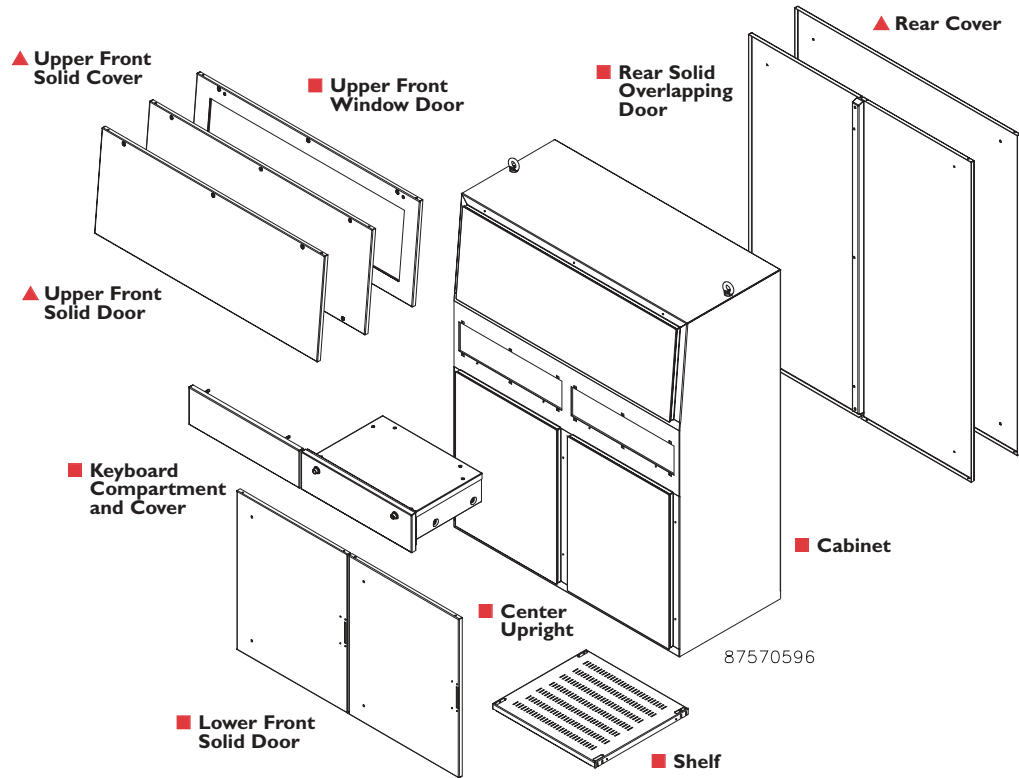
PROLINE® Gold Series Computer Workstation Enclosure

Standard Configuration

- Cabinet
- Keyboard compartment
- Keyboard compartment is on the right side and cover is on the left side
- Shelf (4)
- Upper front window door
- Lower front solid door
- Rear solid overlapping door
- Center upright
- Lifting eyes

Optional Components

- ▲ Upper front solid door
- ▲ Upper front solid cover
- ▲ Rear cover

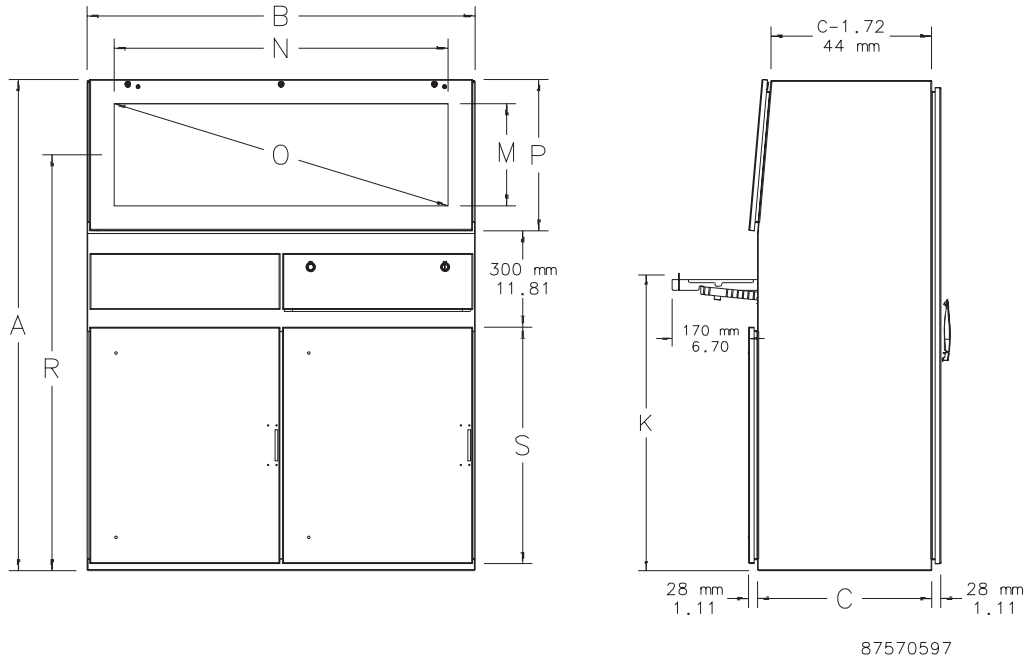


Standard Sizes PROLINE® Gold Series Computer Workstation 1200mm Enclosure [Inch dimensions in (.)]

Catalog Number	Nominal Size Ht. x Width x Depth	A mm	B mm	C mm	K mm	M mm	N mm	O mm	P mm	R mm	S mm
PGLD14126CWS	1400 x 1200 x 600	1526 (60.08)	1208 (47.56)	542 (21.34)	886 (34.88)	319 (12.56)	1040 (40.94)	1088 (42.83)	471 (18.54)	1288 (50.71)	759 (29.88)

Standard Sizes PROLINE® Gold Series Computer Workstation 1200mm Door Opening Sizes [Inch dimensions in (.)]

Catalog Number	Nominal Size Ht. x Width x Depth	Top Door Opening		Bottom Door Opening		Rear Door Opening	
		Height	Width	Height	Width	Height	Width
PGLD14126CWS	1400 x 1200 x 600	406 (16.00)	1136 (44.72)	709 (27.91)	536 per door (21.10)	1454 (57.25)	1136 (44.72)



Optional Components Summary PROLINE® Gold Series Computer Workstation Enclosure

Solid Doors

PROLINE®-style upper front solid doors have 140-degree hidden hinges and locking swing handle. Material is 16 gauge steel (14 gauge for 800mm widths) with RAL 7035 textured light gray polyester powder paint finish.

Catalog Number	H x W mm (in.)		Fits Console A x B
PDS46GLD	471 (18.54)	592 (23.31)	1400 x 600
PDS48GLD	471 (18.54)	792 (31.18)	1400 x 800
PDS412GLD	471 (18.54)	1192 (46.93)	1400 x 1200
PDS56GLD	468 (18.43)	592 (23.31)	1600 x 600
PDS58GLD	468 (18.43)	792 (31.18)	1600 x 800
PDS66GLD	669 (26.34)	592 (23.31)	1800 x 600
PDS68GLD	669 (26.34)	792 (31.18)	1800 x 800

Solid Covers

Covers are available for upper front and rear openings. Covers mount with screws provided. Material is 16 gauge steel (14 gauge for 800mm widths) with RAL 7035 textured light gray polyester powder paint finish.

Catalog Number	Use on Opening	H mm (in.)	W mm (in.)	Fits Console A x B
PCS46CWS	Upper Front	471 (18.54)	592 (23.31)	1400 x 600
PCS48CWS	Upper Front	471 (18.54)	792 (31.18)	1400 x 800
PCS412GLD	Upper Front	471 (18.54)	1192 (46.93)	1400 x 1200
PCS56CWS	Upper Front	468 (18.43)	592 (23.31)	1600 x 600
PCS58CWS	Upper Front	468 (18.43)	792 (31.18)	1600 x 800
PCS66CWS	Upper Front	669 (26.34)	592 (23.31)	1800 x 600
PCS68CWS	Upper Front	669 (26.34)	792 (31.18)	1800 x 800
PCS146GLD	Rear	1482 (58.35)	592 (23.31)	1400 x 600
PCS148GLD	Rear	1482 (58.35)	792 (31.18)	1400 x 800
PCS1412GLD	Rear	1482 (58.35)	1196 (47.10)	1400 x 1200
PCS166	Rear	1539 (60.59)	592 (23.31)	1600 x 600
PCS168	Rear	1539 (60.59)	792 (31.18)	1600 x 800
PCS186	Rear	1739 (68.46)	592 (23.31)	1800 x 600
PCS188	Rear	1739 (68.46)	792 (31.18)	1800 x 800



A Pentair Company

Networking PC Cabinet



- Front doors hinged on left; rear door can be hinged right or left
- Side panels easily removable
- Doors, side panels, and keyboard drawer all keyed alike; two keys supplied with cabinet
- Clear 1/4 in. acrylic window in upper front door
- Louvers on lower quarter of rear door
- Top has one 4-inch cable entry port knockout with cap included and one 6-inch fan-ready cutout with finger guards
- Doors and side panels inset flush with frame
- Base is pre-punched for casters, which are recessed when installed. Caster kit available as an accessory.
- Adjustable gland plate with strain relief at bottom rear of cabinet provides easy, secure cable entry

Finish

RAL 9005 textured low gloss black polyester powder paint

Industry Standards

UL 508A, 508, File Number E61997: Type I
 cUL CSA C22.2 No. 94, File No. E61997:
 Type I
 NEMA Type I
 EIA 310-D (when rack angle accessory is installed)

Accessories

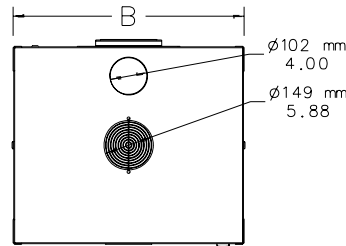
See also the networking accessories in Chapter 3, DataCom Products.

Caster Kit

Rack Angle for lower compartment, 19 RU

Shelf for lower compartment (max. 2)

NOTE: Rack Angle and Shelf cannot be used together.



Application

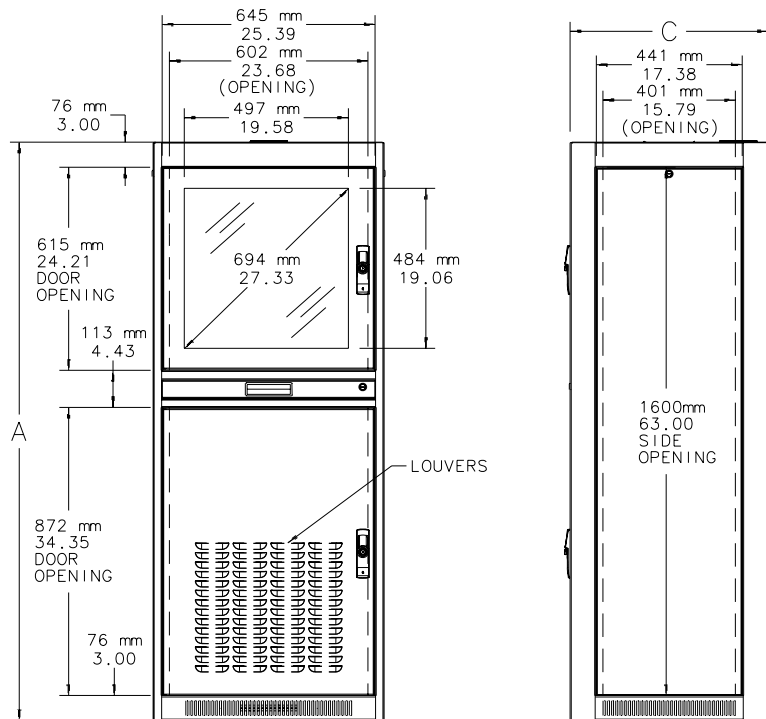
These Hoffman Type I Networking PC Cabinets are designed to house remote computers that are used for data entry and LAN and WAN access. They provide security from unauthorized access as well as physical protection. Ideal applications include light industrial, warehouse, electronic assembly, and other applications where remote network access is required.

The upper section provides ample space for large monitors, with a clear window that allows easy viewing without opening the door. The sliding keyboard tray offers convenient storage and access to the keyboard and mouse. The lower section has space for the processor and, with the addition of an optional shelf, a printer. With the addition of the rack angle accessory, the lower compartment accepts 19 in. rack mount equipment.

This cabinet is designed to draw cold air from the floor via louvers and to exhaust hot air through the top. This creates a "chimney effect" that supplies currents of cool air to internally mounted equipment. Optional 6 inch fans can be added to further increase airflow and provide increased heat dissipation.

Construction

- Welded steel frame with accessory mounting struts
- Steel keyboard with ball-bearing pull-out slides and keylock
- Keylocking flush door handles on both upper and lower front doors
- Quarter-turn keylocks on rear door, side panels, and keyboard door



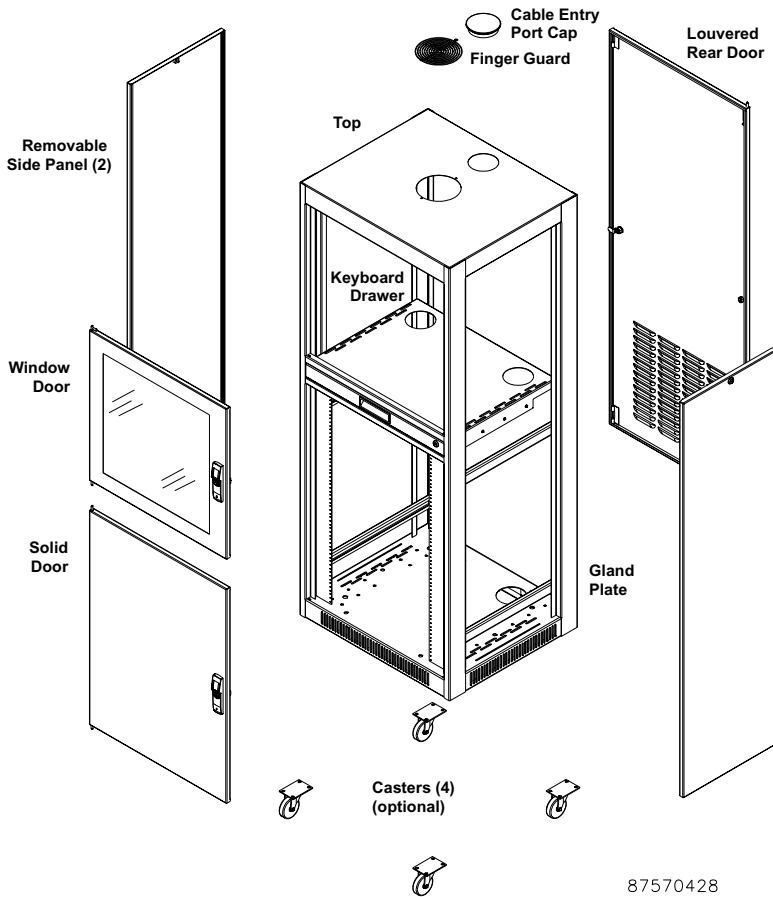
87570427

Standard Size Networking PC Cabinet

Catalog Number	Description	Nominal Size		B	C
		A			
		mm	in.	mm	in.
ENC1776PC	19-inch PC networking cabinet	1752	68.99	700	600



Networking PC Cabinet Components



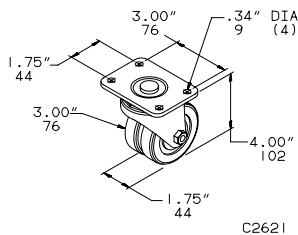
87570428

Networking PC Cabinet Accessories

Caster Kits

Package of four. Mount to predrilled holes in base. Recessed when installed. Load rating 350 lb (159 kg).

Catalog Number	Description
DLCASTERS	Set of four double casters

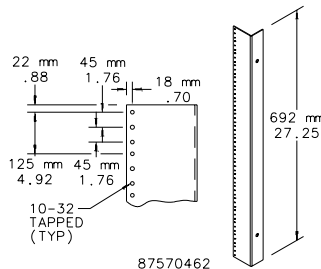


C2621

Rack Angle for Lower Compartment

Provides 19 RU. Allows use of most 19 in. rack mount accessories. See list at right. Package includes two rack angles and mounting hardware. Required for accessories noted in Networking PC Cabinet Accessories table; not compatible with EPCEQS Shelf.

Catalog Number	Length mm in.	Kit Qty.
ERA1910THL	848 33.37	2



87570462

Networking PC Cabinet Accessories

For accessory specifications, see Chapter 3, DataCom Products.

Accessory Name	Accessory Catalog Number	Networking PC Cabinet	
		ENC1776PC	
Cable Eyes	PCE42 PCE86	•	•
Cable Keepers	ELRCK3U ELRCK5U ELRCK9U	•	•
Cable Organizers	ECK19H ECK19HV	•	•
Cable Trough	ECT19	•	•
Drawer, 19in. pullout*†	P19DR1US P19DR2US P19DR3US	•	•
Fans, corded (max. 2)	A4AXFNPG	•	•
Fan Plug (2 fans on 1 cord)	ACORD2	•	•
Paint, touchup	ATPB9005	•	•
Power Strips, panel mount	All	•	•
Power Strip, 19in. rack mt†	A19P20A10 A19P20A8S A19P156F6R	•	•
Screws, Mtg. (Qty 20) (Qty 250)	AS1032 AS1032250	•	•
Shelves, 19in. fixed 19.68 in. deep†	P19SH68B	•	•
Shelves, 19in. pullout 16.72 in. deep†	P19SHP68B	•	•
Shelves, 19in. vented for cabinets: 19.68 in. deep†	P19VSH68B	•	•
Writing Surface, 19in.*†	P19WS	•	•

NOTE: Cabinet modification may be required to install panel-mount power strips.

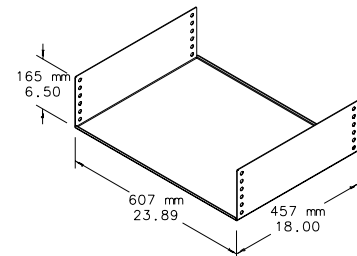
* Writing Surface mounts on top of 19 in. Pullout Drawer.

† Rack angle accessory kit required to mount these accessories in lower compartment.

Shelf

Steel shelf designed for use in the lower compartment of the Networking PC Cabinet. Compartment accommodates up to two shelves. Shelves can be located at 1 in. (25mm) intervals inside cabinet. Shelf installs without rack angles.

Catalog Number	Description
EPCEQS	Shelf



87570461



A Pentair Company

APX-DC Desk Console



Optional Wedge Console accessory

Application

The APX-DC desk console offers a lower profile option for housing operator interface equipment. It is ergonomically designed for either sitting or standing operation. Lower profile allows operators a full, unrestricted view of control processes.

Construction Configured Assembly

- 14 gauge steel, one-piece construction
- All seams continuously welded and ground smooth
- Solid bottom
- 15° slope can be equipped with either a cover or hinged door for convenient access to internal controls and wiring
- Interior has vertical and horizontal hole pattern for full range of APX rack, subpanel, or grid system equipment mounting
- Choice of lower front and rear covers or doors (front doors are reversible)
- 1200mm desk has overlapping rear doors with no centerpost to restrict access
- Full rear opening provides maximum mounting space and easy access to interior components

Finish

Light gray polyester powder paint inside and out. Color is Federal Standard 595 color number 36495 (gloss 45°).

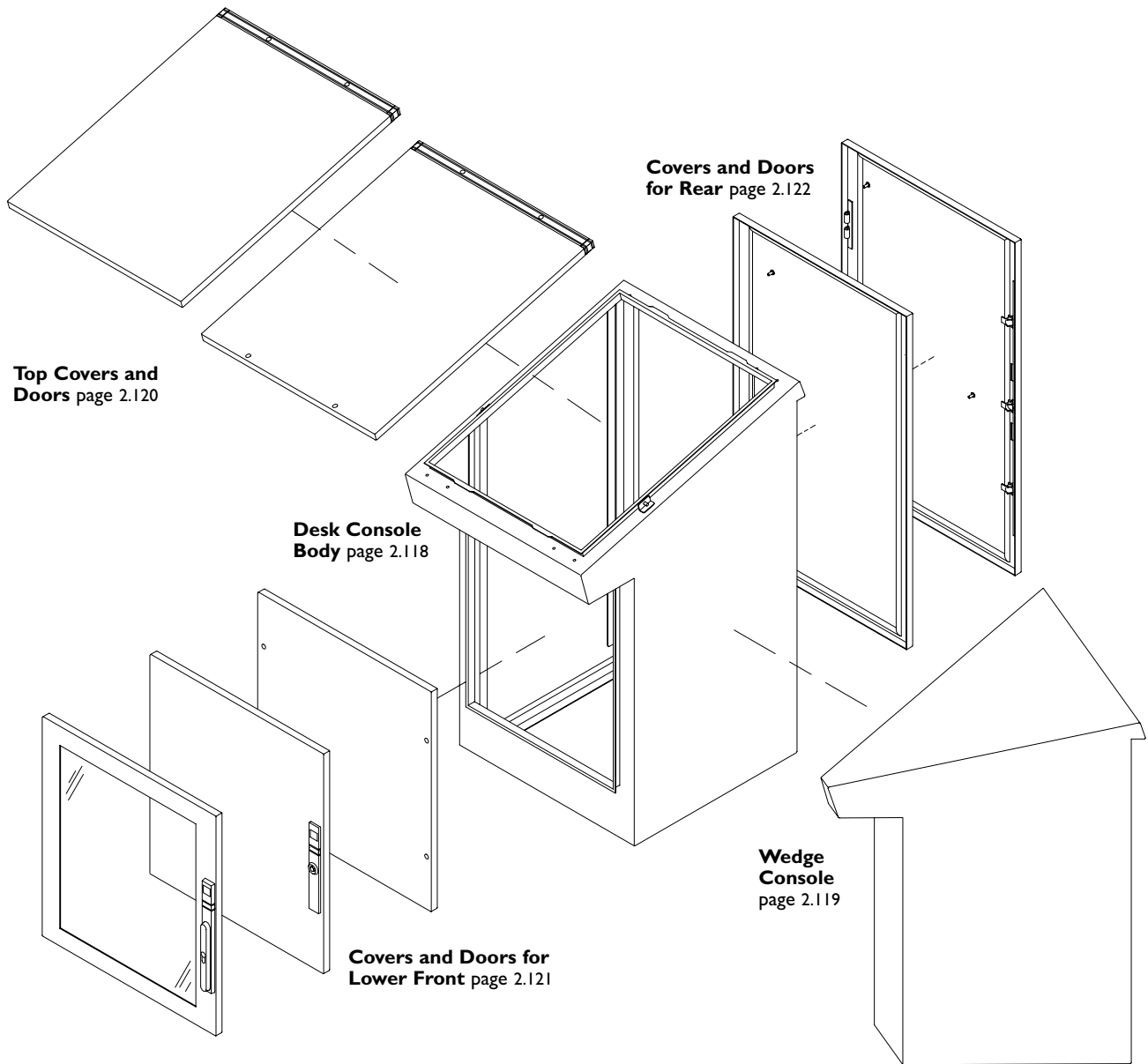
Industry Standards

UL 508A, 508, File Number E61997: Type 12
NEMA Type 12
CSA File Number LR42186: Type 12
IEC 60529, IP55

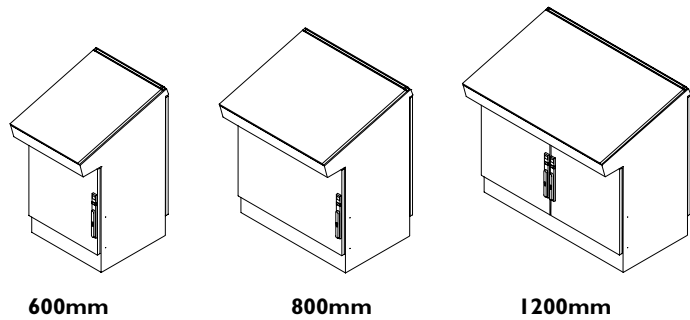
Accessories

See Chapter 12, General Accessories, and following pages

Casters
Corrosion Inhibitors
Data Pocket
Electric Heaters
Fan Cooling Products
Grid Straps and Fasteners
Handle Kit
Handles and Latches
Key Inserts
180° Hinge Kit
Panels
Rack Angles
Touch-Up Paint (ATPMG)



Three Widths —



C2744



A Pentair Company

APX-DC Desk Console

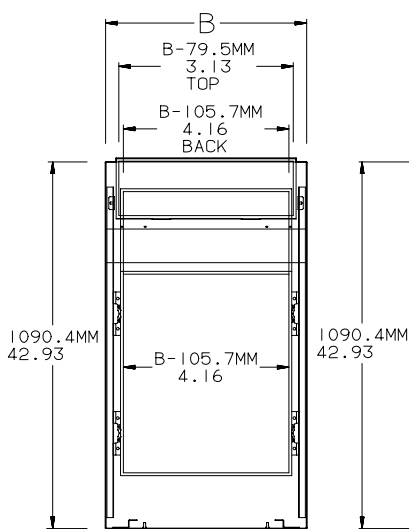


Desk Console Body

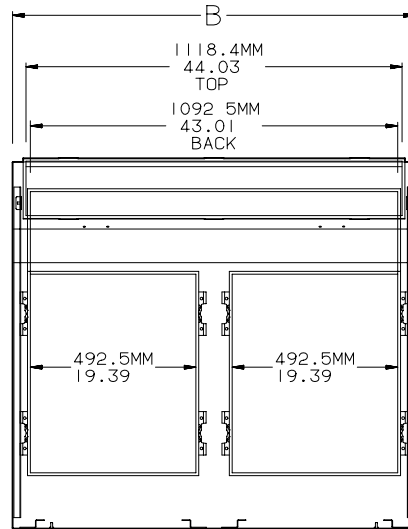
Solid 14 gauge steel one piece construction. Seams continuously welded and ground smooth. Top has 15-degree slope. Solid bottom. Optional bases, levelers, casters, and legs can be attached by drilling holes at pre-marked locations in the solid console bottom. Interior has vertical and horizontal brackets with hole patterns for a full range of APX rack, subpanel, or grid system equipment installation. Front and rear openings also accept a variety of optional APX components. Overlapping doors at rear opening on 1200mm wide unit, but no centerpost at rear opening to restrict access.

Catalog Number	Nominal Size	
	A x B x C metric	B
XDC1166	1100 x 600 x 600	23.53 (598)
XDC1186	1100 x 800 x 600	31.40 (798)
XDC11226	1100 x 1200 x 600	47.14 (1197)

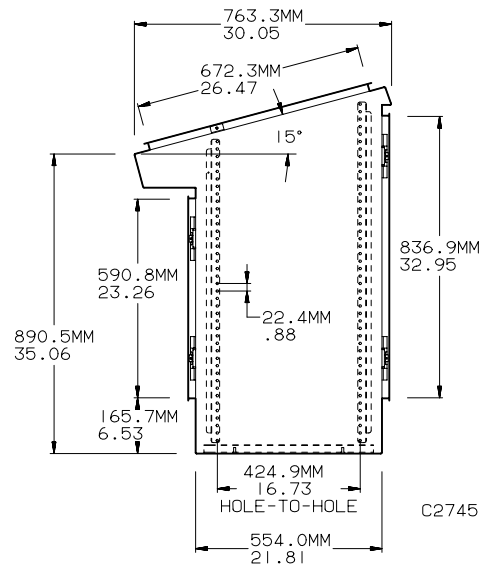
Millimeter dimensions () are for reference only; do not convert metric dimensions to inch.



Single Door



Two Door



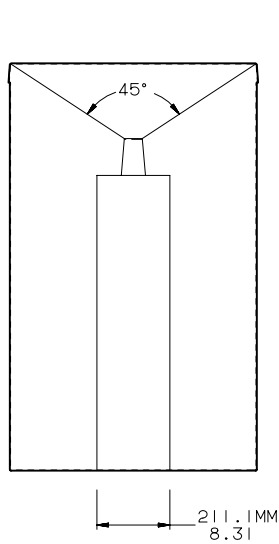
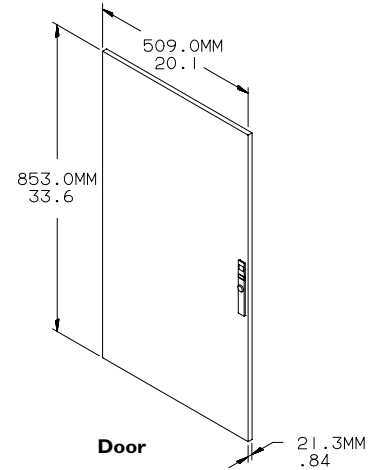
Side View



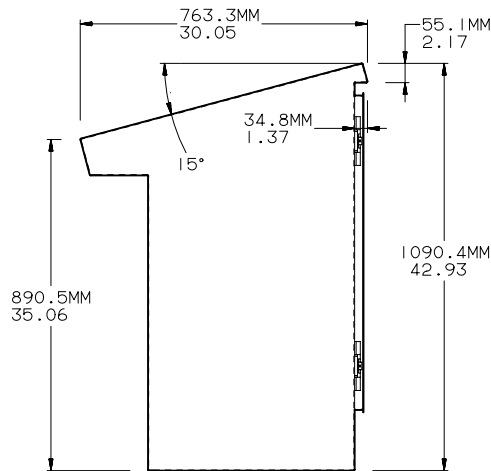
Wedge Console

Optional wedge console can be positioned between two desk console bodies to provide a continuous wraparound work surface. Top has 15-degree slope. Solid bottom. Optional bases, levelers, casters, and legs can be attached by drilling holes at pre-marked locations in the solid console bottom. Hinged rear access door is standard.

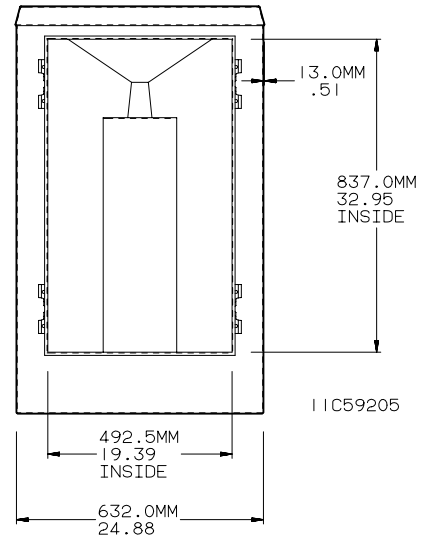
Catalog Number
XDCW45



Front View



Side View



Back View with door removed

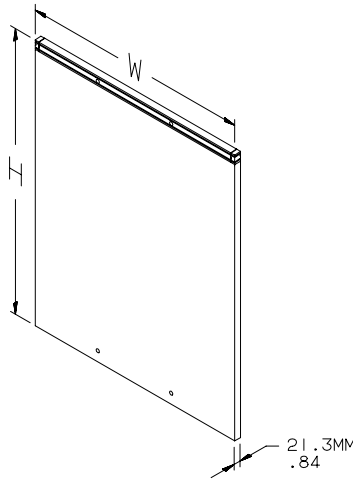
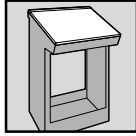


A Pentair Company

APX-DC Desk Console

Top Covers

Covers for the 15-degree top opening are 14 gauge steel finished in light gray with medium gray aluminum accent trim. Ground stud on cover. Two of the four cover screws are incorporated into the accent trim. Seamless foam-in-place gasket assures watertight and dust-tight seal. Mounting hardware is included.

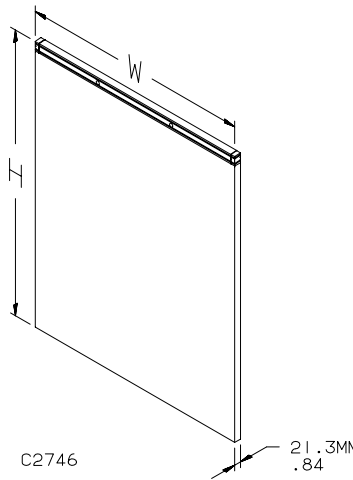
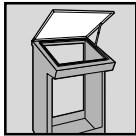


Catalog Number	H	W
XCS76D	30.36 (771)	23.30 (592)
XCS78D	30.36 (771)	31.16 (791)
XCS712D	30.36 (771)	46.91 (1192)

Millimeter dimensions () are for reference only; do not convert metric dimensions to inch.

Top Doors

Doors for the 15-degree top opening are 14 gauge steel finished in light gray with medium gray aluminum accent trim, or 14 gauge stainless steel. Door is reversible. When hinged at bottom, the stop arms hold the door open 105 degrees from closed position. When hinged at top, the stop arms prop the door open 60 degrees from closed position. Quarter-turn latches are incorporated into the accent trim. Doors have ground stud attached. Seamless foam-in-place gasket assures watertight and dust-tight seal. Mounting hardware and door stop arms are included.



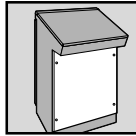
Catalog Number	Description	H	W
XDS76D	Steel	30.36 (771)	23.30 (592)
XDS76DSS	Stainless steel	30.36 (771)	23.30 (592)
XDS78D	Steel	30.36 (771)	31.16 (791)
XDS78DSS	Stainless steel	30.36 (771)	31.16 (791)
XDS712D	Steel	30.36 (771)	46.91 (1192)

Millimeter dimensions () are for reference only; do not convert metric dimensions to inch.



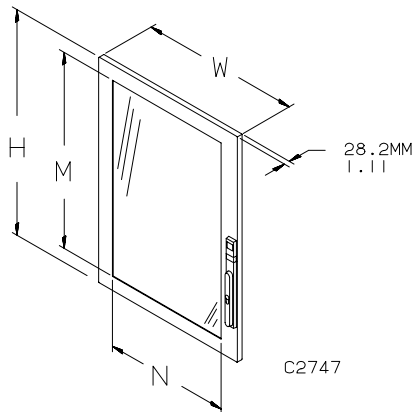
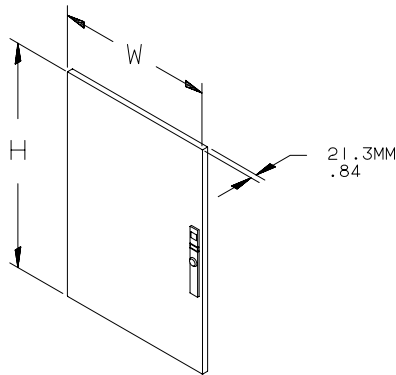
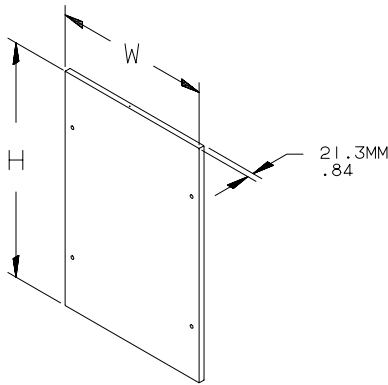
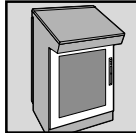
Covers and Doors for Lower Front

Covers and doors have solid 14 gauge steel or Type 304 stainless steel construction. Steel cover is finished in light gray; stainless steel cover has a smooth brushed finish.



Seamless foam-in-place gasket assures watertight and dust-tight seal. Semi-flush cover screws attach cover to console front. A ground stud is provided. Tamper-resistant screws are available.

Solid steel doors are finished in light gray; stainless steel doors have a smooth brushed finish. Hidden hinges attach to mounting blocks for 140-degree swing. Door can be hinged on right or left. Hinges have retained hinge pins. Solid doors have hex insert and provision for a large data pocket. Window door has a flush pushbutton handle with keylock and a polycarbonate window that is .25 inch thick with a smoke gray tint. Order two 600mm wide covers or doors in any combination for 1200mm wide desk console.



Catalog Number	Description	H	W
XCS76R	Steel cover	25.19 (640)	23.30 (592)
XCS76SS	Stainless steel cover	25.19 (640)	23.30 (592)
XCS78R	Steel cover	25.19 (640)	31.16 (791)
XCS78SS	Stainless steel cover	25.19 (640)	31.16 (791)

Millimeter dimensions () are for reference only; do not convert metric dimensions to inch.

Catalog Number	Description	H	W
XDS76R	Steel solid door	25.19 (640)	23.30 (592)
XDS76SS	Stainless steel solid door	25.19 (640)	23.30 (592)
XDS78R	Steel door	25.19 (640)	31.16 (791)
XDS78SS	Stainless steel solid door	25.19 (640)	31.16 (791)

Millimeter dimensions () are for reference only; do not convert metric dimensions to inch.

Catalog Number	Description	H	W	M	N
XDW76	Steel window door	25.19 (640)	23.30 (592)	16.72 (425)	21.29 (541)
XDW76SS	Stainless steel window door	25.19 (640)	23.30 (592)	16.72 (425)	21.29 (541)
XDW78	Steel window door	25.19 (640)	31.16 (791)	25.29 (642)	21.29 (541)
XDW78SS	Stainless steel window door	25.19 (640)	31.16 (791)	25.29 (642)	21.29 (541)

Millimeter dimensions () are for reference only; do not convert metric dimensions to inch.

C2747

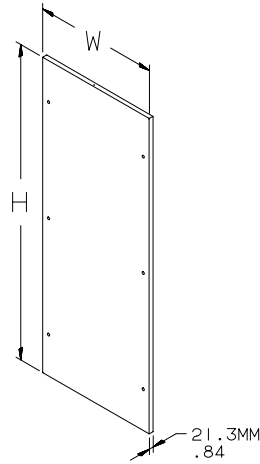
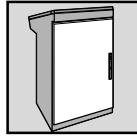


A Pentair Company

APX-DC Desk Console

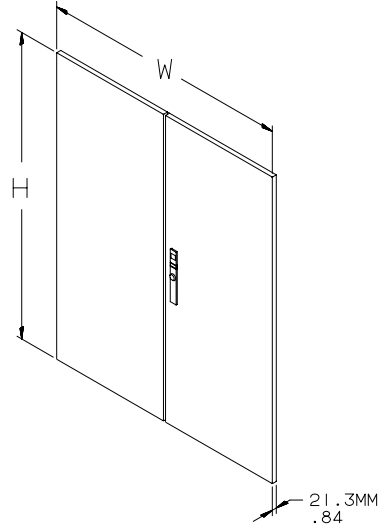
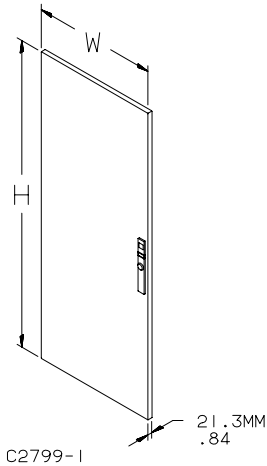
Covers and Doors for Rear

Rear covers and doors are 14 gauge steel construction with a light gray finish. Covers attach to console with semi-flush screws. Doors, hinged left or right, include a standard hex insert and provision for a large data pocket. Other handles and inserts are available. A single cover or pair of overlapping doors are used for closing the rear opening of the 1200mm wide desk console. Foam-in-place gasket.



Catalog Number	Description	H	W
XCS96	Steel cover	34.86 (885)	23.30 (592)
XCS98	Steel cover	34.86 (885)	31.16 (791)
XCS912	Steel cover	34.86 (885)	46.91 (1192)

Millimeter dimensions () are for reference only; do not convert metric dimensions to inch.



Catalog Number	Description	H	W
XDS96	Steel door	34.86 (885)	23.30 (592)
XDS98	Steel door	34.86 (885)	31.16 (791)
XTD912	Overlapping doors	34.86 (885)	46.91 (1192)

Millimeter dimensions () are for reference only; do not convert metric dimensions to inch.



Accessories for Solid Single Doors

Flush Handles, keyed	XFHK or FFHKBL
Flush Handles, padlocking	XFHP or XFHPBL
Flush Handles, die-cast padlocking	XFHPA or XFHPBLA
Flush Handles, pushbutton keyed	XFHKPB or XFHKPBB
Flush Handles, pushbutton nonlock	XFHNLPB or XFHNLPBB
Flush Handles, die-cast keylock pushbutton	XFHKPBA or XFHKPBBA
Flush Handles, double-bit keyed	XFHDBK3 or XFHDBK3B
Key Insert, triangle	XKOTM7
Key Insert, square	XKOTSM7
Bezel/Hex Insert, gray	XFHM10
Bezel/Hex Insert, black	XFHM10B
Hex Insert Key	XKOHM10
Keylocking "L" Handle, gray	XLHK
Keylocking "L" Handle, black	XLHKB
Data Pocket	XDP2C
180° Hinge Kit	XH180

Accessories for Overlapping Doors

Key Insert, triangle	XKOTM7
Key Insert, square	XKOTSM7
Hex Insert Key	XKOHM10
Keylocking "L" Handle, gray	XLHK
Keylocking "L" Handle, black	XLHKB
Data Pocket	XDP2C
180° Hinge Kit	XH180



Internal and External Accessories

Numerous accessories are available for mounting operator interfaces and related equipment to the APX-DC Desk Console. These include panels, shelves, and rack mounting accessories. There are also external accessories, such as door handles and base options. A summary list is provided here. For more detailed information on each of these products, see www.hoffmanonline.com.

- Full Subpanel
- Grid System
- Partial Subpanel
- Rack Angles
- Side-Mounting Kit for Subpanels
- Accessories for Rack Angles
- Swing-Out Panel Mounting Kit
- Base Accessories
- Frame Shelves
- Door Accessories
- Frame Brackets
- Legs
- Grounding Bar System
- Casters



A Pentair Company

APX-DC Desk Console Selection Matrix

Component Selection Matrix Front and Rear Options

APX-DC Desk Console A B C			Front Options						
			Top Cover	Top Door	Lower Front Cover (Steel)	Lower Front Cover (Stainless Steel)	Lower Front Door (Steel)	Lower Front Door (Stainless Steel)	Lower Front Window Door
1100	600	600	XCS76D	XDS76D	XCS76R	XCS76SS	XDS76R	XDS76SS	XDW76
1100	800	600	XCS78D	XDS78D	XCS78R	XCS78SS	XDS78R	XDS78SS	XDW78
1100	1200	600	XCS712D	XDS712D	XCS76R ^a	XCS76SS ^a	XDS76R ^a	XDS76SS ^a	XDW76 ^a

Component Selection Matrix External and Internal Accessories

APX-DC Desk Console A B C			External Accessories				
			Solid Base, 100mm (Steel)	Solid Base, 100mm (Stainless Steel)	Plinth Base 100mm	Plinth Base 200mm	Base Stabilizer (Steel)
1100	600	600	XB166	XB166SS	XPB166	XPB266	XBS6
1100	800	600	XB186	XB186SS	XPB186	XPB286	XBS8
1100	1200	600	XB166 ^a	XB166SS ^a	XPB166 ^a	XPB266SS ^a	XBS6 ^a

Internal Accessories

A	B	C	Full Subpanels	Partial Subpanels	Subpanel Mounting Kit	Grid System	Transformer Rails
1100	600	600	XPF76	XPP_6	XMKPF or XMKP ^d	XGH_S6 and XGH6P6	XTR6
1100	800	600	XPF78	XPP_8	XMKPF or XMKP ^d	XGH_S6 and XGH6P8	XTR6 or XTR8
1100	1200	600	XPF712	XPP412	XMKPF or XMKP ^d	XGH_S6	XTR12 or XTR6

- ^a Order any combination of 2 lower front options.
- ^b Fits only rear of desk console.
- ^c Also XSFP88, XSFP88LR, and XSFP88C will fit rear opening only.
- ^d For mounting the appropriate 600mm wide subpanel (either partial or full height) on side.
- ^e Fits when grid straps are installed.

Other Internal Accessories:

Rack Angles


XRA76TP	XRA1TH	XRA12TH
XRA76TH	XRA3TH	XRA13TH
XRA86TP	XRA6TH	XRA14TH
XRA86TH	XRA7TH	XRA17TH
	XRA9TH	

Use frame bracket XFB8T6 to install these rack angles in 800mm wide consoles.

Accessories for Rack Angles include:

Drawers	A19DR2U and A19DR4U
Drawer Writing Surface	A19WSDR
Guides	XSFG, AG1U5, and AG1U6
Slides	A16SL2U
Fixed Shelf	A19SH5 and A19SH6
PullOut Shelf	A19SHP6
Rack Panels	A19RP____ (23 models)
Screw Package	AS1032 or XSM5
Clip Nut Package (Type "TH" only)	AN1032 or XNM5

Component Selection Matrix Front and Rear Options

Rear Options			 APX-DC Desk Console A B C		
Rear Cover	Rear Door	Overlapping Doors			
XCS96	XDS96		1100	600	600
XCS98	XDS98		1100	800	600
XCS912		XTD912	1100	1200	600

Component Selection Matrix External and Internal Accessories

						External Accessories		
Base Stabilizer (Stainless Steel)	Levelers	Casters	Handles	Legs	APX-DC Desk Console			
					A	B	C	
XBS6SS	XLM10	XC1M10 or XC4M6	XUHK	XLEGSS	1100	600	600	
XBS8SS	XLM10	XC1M10 or XC4M6	XUHK	XLEGSS	1100	800	600	
XBS6SS ^a	XLM10 ^a	XC1M10 or XC4M6	XUHK	XLEGSS	1100	1200	600	

							Internal Accessories		
Swing-Out Panel Kit	Swing-Out Rack Frame	Frame Shelf	Frame Brackets	Printer Shelf	Pencil Tray	APX-DC Desk Console			
						A	B	C	
XSP6	XSFP46 or XSFP86 ^b	XFSH64 ^e or XFSH66	XFB62U	XPSH66	XCPL6	1100	600	600	
XSP8	XSFP48, LR, C ^c	XFSH84 ^e or XFSH86	XFB8T6 or XFB82U	XPSH86	XCPL8	1100	800	600	
					XCPL6 ^a	1100	1200	600	



A Pentair Company

CONCEPT® Console



Application

Designed to house electrical and electronic controls, instruments, and components. Heavy duty construction provides protection from dust, dirt, oil, and water. Pushbuttons, pilot lights, meters, switches, etc., can be mounted on the sloping control panel. Interior components can be mounted on stationary panels located on sides and back of enclosure.

Construction Configured Assembly

- 16 and 14 gauge steel, one-piece construction
- All seams continuously welded and ground smooth
- Ergonomically designed for sitting or standing operation (lower profile allows operator unrestricted view of control process)
- Solid bottom
- 20° sloped top cover for 38-inch-tall console or 30° top cover for 48-inch-tall console
- Quarter-turn latches hold top cover securely closed
- Stops hold top cover open at 90°
- Integral water shedding trough
- Optional back panel mounted on collar studs
- Optional side panels (mounted to collar studs) expand equipment mounting space
- Tool-to-open 3-point latch on front access door; door is removable and reversible; 170° full access opening
- Seamless foam-in-place gasket provides a watertight and dust-tight seal
- Grounding provision on door and body
- Provision for data pocket on lower front door. See table for size.

Finish

ANSI 61 gray polyester powder paint inside and out over phosphatized surfaces.

Industry Standards

UL 508A, 508, File Number E61997: Type 4 and Type 12
 NEMA Type 4, Type 12, and Type 13
 CSA File Number LR42186: Type 4 and Type 12

Accessories

See Chapter 12, General Accessories.

- Corrosion Inhibitors
- Data Pocket
- Electric Heaters
- Fan Cooling Products
- Panels
- Rack Angles
- Touch-Up Paint (ATPPY61)

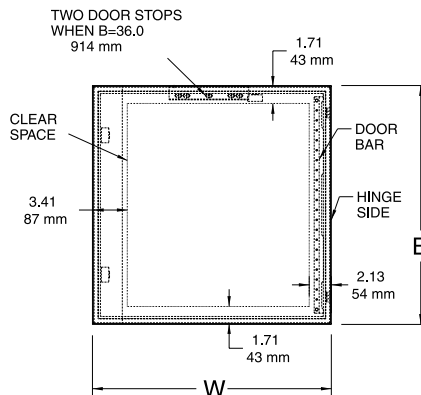
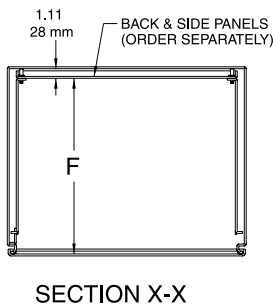
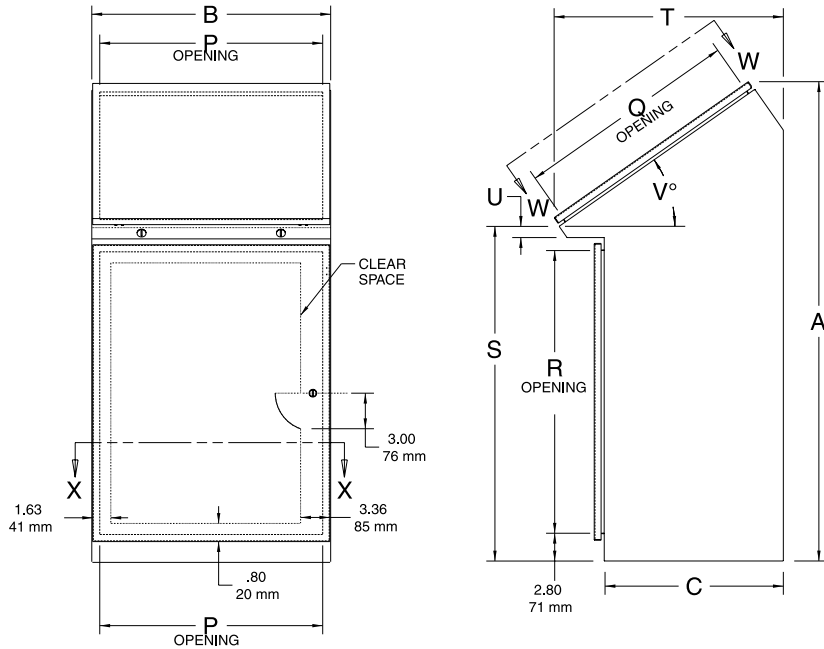
Standard Sizes CONCEPT® Console

Catalog Number	A x B x C	Back Panel Catalog Number*	Back Panel Height x Width	F	P	Q	R	S	T	U	V	W	Data Pocket**
CFC382416	38.00 x 24.00 x 15.00 (965 x 610 x 381)	CP3624	34.20 x 22.20 (869 x 564)	14.57 (370)	22.40 (569)	18.40 (467)	22.37 (568)	30.44 (773)	19.82 (503)	3.79 (96)	20°	20.00 (508)	Small
CFC383616	38.00 x 36.00 x 15.00 (965 x 914 x 381)	CP3636	34.20 x 34.20 (869 x 869)	14.57 (370)	34.40 (874)	18.40 (467)	22.37 (568)	30.44 (773)	19.82 (503)	3.79 (96)	20°	20.00 (508)	Large
CFC482423	48.00 x 24.00 x 18.00 (1219 x 610 x 457)	CP2442	40.20 x 22.20 (1021 x 564)	17.57 (446)	22.40 (569)	23.36 (593)	28.35 (720)	35.35 (898)	23.84 (606)	2.54 (64)	30°	24.00 (610)	Large
CFC483623	48.00 x 36.00 x 18.00 (1219 x 914 x 457)	CP4236	40.20 x 34.20 (1021 x 869)	17.57 (446)	34.40 (874)	23.36 (593)	28.35 (720)	35.35 (898)	23.84 (606)	2.54 (64)	30°	24.00 (610)	Large

Millimeter dimensions () are for reference only; do not convert metric dimensions to inch.

* Back panels must be ordered separately.

** Data pocket must be ordered separately. See General Accessories.



VIEW W-W

View WW



Catalog Number	Description
AC4M6SV	Caster kit, swivel (2 casters per kit)•
AC4M6ST	Caster kit, stationary (2 casters per kit)•
CCPK15	Caster plate kit, 15inch (2 plates per kit)
CCPK18	Caster plate kit, 18inch (2 plates per kit)

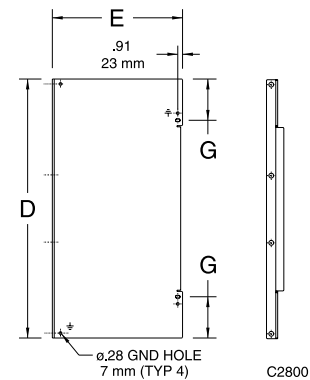
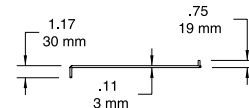
•Order two swivel caster kits or one swivel caster kit plus one stationary caster kit.

Standard Sizes Side Panels

Catalog Number	D	E	G
CPC3816	27.15 (690)	13.65 (347)	4.33 (110)
CPC4823	31.57 (802)	16.65 (423)	3.54 (90)

Millimeter dimensions () are for reference only; do not convert metric dimensions to inch.

NOTE: One panel per kit. Two kits required if a panel is needed on each side.



C2800

Side Panel (optional)





A Pentair Company

CONCEPT® Double-Door Console



Side panel and back panel (optional).

Application

Designed to house electrical and electronic controls, instruments, displays, and other components, these heavy duty enclosures provide protection from dust, dirt, oil, and water. The sloped cover is ideal for mounting pushbuttons, pilot lights, meters, switches, and displays. Interior components can be mounted on stationary panels located on the sides and back of the enclosure.

Construction

- 14 gauge steel, one-piece construction
- All seams continuously welded and ground smooth
- Ergonomically designed for sitting or standing operation
- 3-point latch system on right door with flush slotted insert. Optional handles or inserts are available.
- Overlapping door design furnishes full-width access
- Grounding provision on door and body
- 20° sloped top cover for 38-inch-tall console or 30° top cover for 48-inch-tall console
- Quarter-turn latches hold top cover securely closed
- Stops hold top cover open at 90°
- Integral water shedding trough
- Optional back panel mounted on collar studs
- Optional side panels (mounted to collar studs) expand equipment mounting space
- Solid bottom
- Seamless foam-in-place gasket provides a watertight and dust-tight seal

Finish

ANSI 61 gray polyester powder paint inside and out over phosphatized surfaces. Optional panels are white.

Industry Standards

UL 508A, 508, File Number E61997: Type 12
NEMA/EEMAC Type 12
CSA File Number LR42186: Type 12

Accessories

See Chapter 12, General Accessories.

- Corrosion Inhibitors
- Data Pocket
- Electric Heaters
- Fan Cooling Products
- Panels
- Rack Angles
- Touch-Up Paint (ATPPY61)

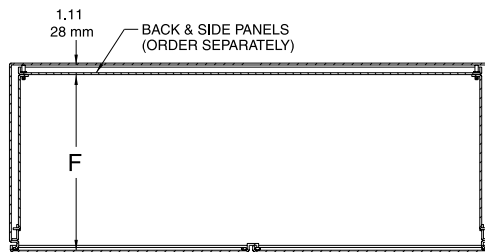
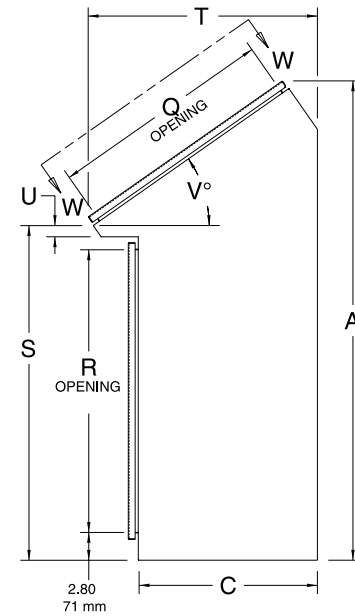
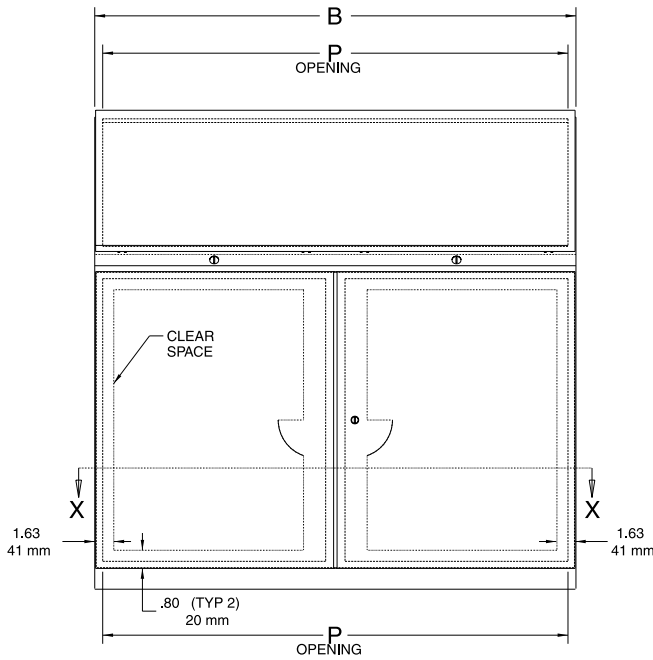
Standard Sizes CONCEPT® Double-Door Console

Catalog Number	A x B x C	Back Panel Catalog Number*	Back Panel Height x Width	F	P	Q	R	S	T	U	V	W	Data Pocket**
CFC384816	38.00 x 48.00 x 15.00 (965 x 1219 x 381)	CP4836	34.20 x 46.20 (869 x 1173)	14.57 (370)	46.40 (1179)	18.40 (467)	22.37 (568)	30.44 (773)	19.82 (503)	3.79 (96)	20°	20 (508)	Large
CFC386016	38.00 x 60.00 x 15.00 (965 x 1524 x 381)	CP6036	34.20 x 58.20 (869 x 1478)	14.57 (370)	58.40 (1483)	18.40 (467)	22.37 (568)	30.44 (773)	19.82 (503)	3.79 (96)	20°	20 (508)	Large
CFC484823	48.00 x 48.00 x 18.00 (1219 x 1219 x 457)	CP4842	40.20 x 46.20 (1021 x 1173)	17.57 (446)	46.40 (1179)	23.36 (593)	28.35 (720)	35.35 (898)	23.84 (606)	2.54 (64)	30°	24 (610)	Large
CFC486023	48.00 x 60.00 x 18.00 (1219 x 1524 x 457)	CP6042	40.20 x 58.20 (1021 x 1478)	17.57 (446)	58.40 (1483)	23.36 (593)	28.35 (720)	35.35 (898)	23.84 (606)	2.54 (64)	30°	24 (610)	Large

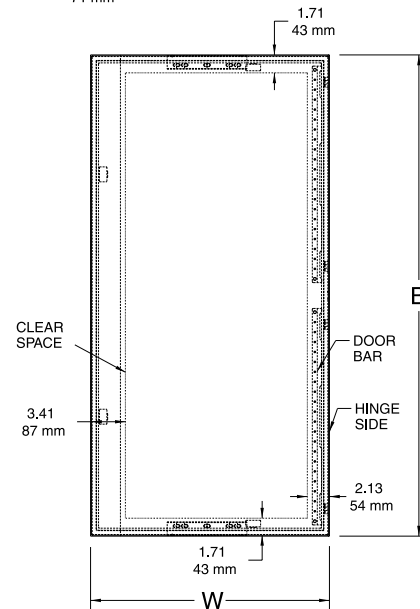
Millimeter dimensions () are for reference only; do not convert metric dimensions to inch.

* Back panels must be ordered separately.

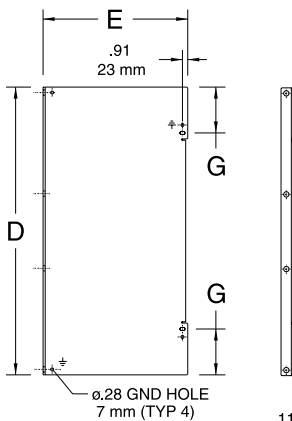
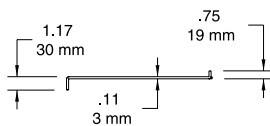
** Data pocket must be ordered separately. See Chapter 12, General Accessories.



SECTION X-X



VIEW W-W



Side Panel
(optional)

11C59206

Standard Sizes Side Panels

Catalog Number	D	E	G
CPC3816	27.15 (690)	13.65 (347)	4.33 (110)
CPC4823	31.57 (802)	16.65 (423)	3.54 (90)

Millimeter dimensions () are for reference only; do not convert metric dimensions to inch.

NOTE: One panel per kit. Two kits required if a panel is needed on each side. Panel kits must be ordered separately.



A Pentair Company

PROLINE-PC Packages



PROLINE-PC Modular Enclosures

This enclosure offers effective protection for computer monitors, keyboards, CPUs, printers, and other peripheral equipment in industrial environments. Three doors, two in front and one in back, provide convenient access. The sealed keyboard compartment maintains enclosure integrity when the compartment door is opened.

The 19-inch diagonal top window door, hinged on the left, offers viewing access for a variety of monitor sizes and has a small flush swing handle with keylock for system security.

The vented frame shelf in the top compartment is constructed of 14 gauge steel and is finished with RAL 7035 light gray textured polyester powder paint.

The keyboard compartment includes a locking feature, an angled palm rest, a cable access port for wiring, and integral mouse pad holders for left-handed or right-handed people.

The bottom compartment includes a solid door hinged on the left with a small keylocking flush swing handle. This compartment can be used to install computer equipment, panel-mounted equipment, or rack-mounted control systems.

The frame is enclosed with solid sides, a solid top, and a 100mm solid base.

A rear-mounted solid door with a keylocking flush swing handle offers rear access to the computer equipment and wiring.

For More Information

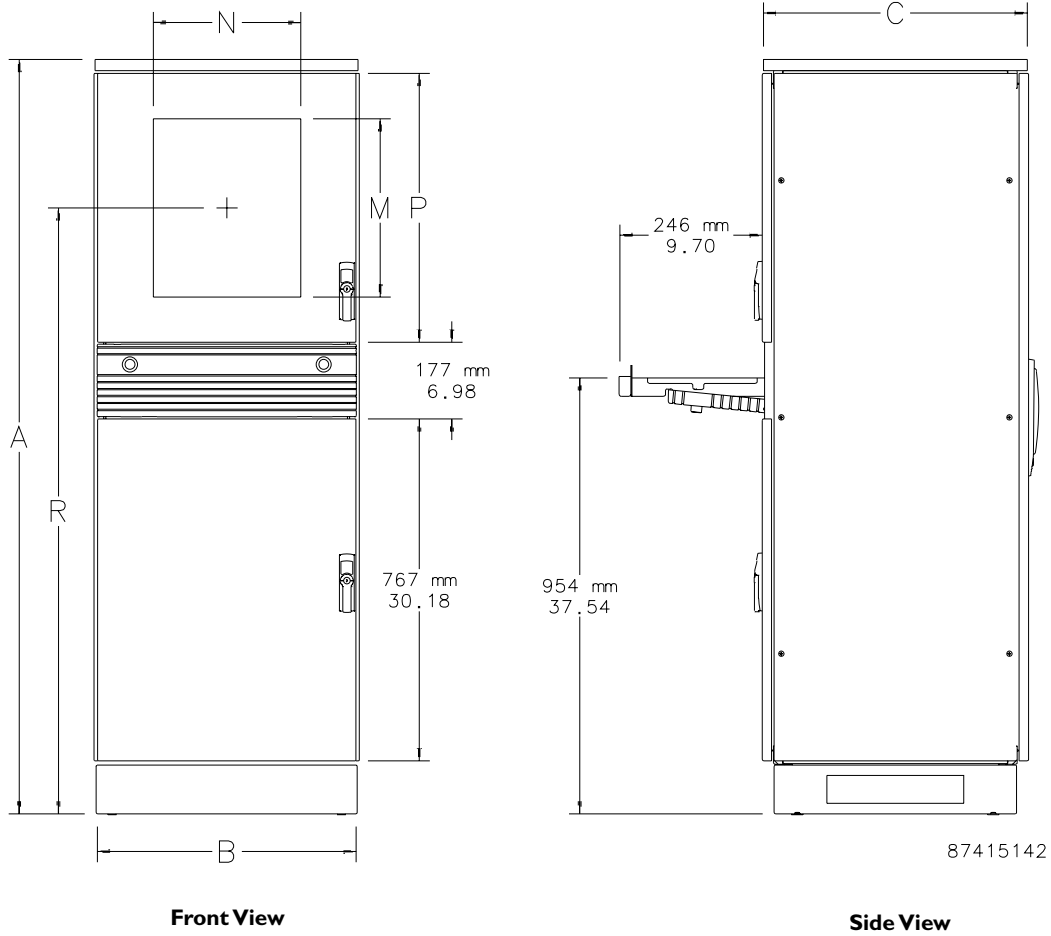
See Chapter 1, Modular Enclosure Systems, for more information about the PROLINE-PC packages.

Standard Sizes PROLINE-PC Packages

Catalog Number	A*	B	C	M	N	P	R	Top Door Opening		Bottom Door Opening	
								Height	Width	Height	Width
PPC1666	1688 (66.46)	608 (23.94)	599 (23.58)	343 (13.50)	365.8 (14.40)	585.7 (23.06)	1363 (53.66)	558.3 (21.98)	536.1 (21.11)	738.9 (29.09)	536.1 (21.11)
PPC1668	1688 (66.46)	608 (23.94)	799 (31.46)	343 (13.50)	365.8 (14.40)	585.7 (23.06)	1363 (53.66)	558.3 (21.98)	536.1 (21.11)	738.9 (29.09)	536.1 (21.11)
PPC1686	1688 (66.46)	808 (31.81)	599 (23.58)	343 (13.50)	565.8 (22.28)	585.7 (23.06)	1363 (53.66)	558.3 (21.98)	736.1 (28.98)	738.9 (29.09)	736.1 (28.98)
PPC1866	1888 (74.33)	608 (23.94)	599 (23.58)	343 (13.50)	365.8 (14.40)	785.7 (30.93)	1463 (57.60)	758.3 (29.85)	536.1 (21.11)	738.9 (29.09)	536.1 (21.11)
PPC1868	1888 (74.33)	608 (23.94)	799 (31.46)	343 (13.50)	365.8 (14.40)	785.7 (30.93)	1463 (57.60)	758.3 (29.85)	536.1 (21.11)	738.9 (29.09)	536.1 (21.11)
PPC1886	1888 (74.33)	808 (31.81)	599 (23.58)	343 (13.50)	565.8 (22.28)	785.7 (30.93)	1463 (57.60)	758.3 (29.85)	736.1 (28.98)	738.9 (29.09)	736.1 (28.98)
PPC2066	2088 (82.20)	608 (23.94)	599 (23.58)	343 (13.50)	365.8 (14.40)	985.7 (38.81)	1563 (61.54)	958.3 (37.73)	536.1 (21.11)	738.9 (29.09)	536.1 (21.11)
PPC2068	2088 (82.20)	608 (23.94)	799 (31.46)	343 (13.50)	365.8 (14.40)	985.7 (38.81)	1563 (61.54)	958.3 (37.73)	536.1 (21.11)	738.9 (29.09)	536.1 (21.11)
PPC2086	2088 (82.20)	808 (31.81)	599 (23.58)	343 (13.50)	565.8 (22.28)	985.7 (38.81)	1563 (61.54)	958.3 (37.73)	736.1 (28.98)	738.9 (29.09)	736.1 (28.98)
PPC2088	2088 (82.20)	808 (31.81)	799 (31.46)	343 (13.50)	565.8 (22.28)	985.7 (38.81)	1563 (61.54)	958.3 (37.73)	736.1 (28.98)	738.9 (29.09)	736.1 (28.98)

* A dimension includes 100mm solid base.

Inch dimensions in ().



NOTE:
See Chapter I, Modular Enclosure Systems, for additional dimensions.



A Pentair Company

PROLINE-SY Packages



PROLINE-SY Modular Enclosures

This enclosure is designed to protect many industrial operator interface systems, including panel- or rack-mounted control systems, operator interface packages, and a variety of other electronic control components.

- The top compartment is open and can accommodate a variety of front cover and door options
- Internal grid straps are factory-installed in top compartment to provide support for operator interfaces
- Two doors, one on the lower front and one on the back of the enclosure, provide convenient access and additional protection
- The bottom door is hinged on the left and has an attractive keylocking flush swing handle
- The solid rear door permits rear access to equipment and wiring and includes a keylocking pushbutton handle
- Standard external components include solid sides, solid top, and a 100mm solid base

Standard Sizes PROLINE-SY Modular Enclosures

Catalog Number	B
PSY1666	608 (23.94)
PSY1686	808 (31.81)

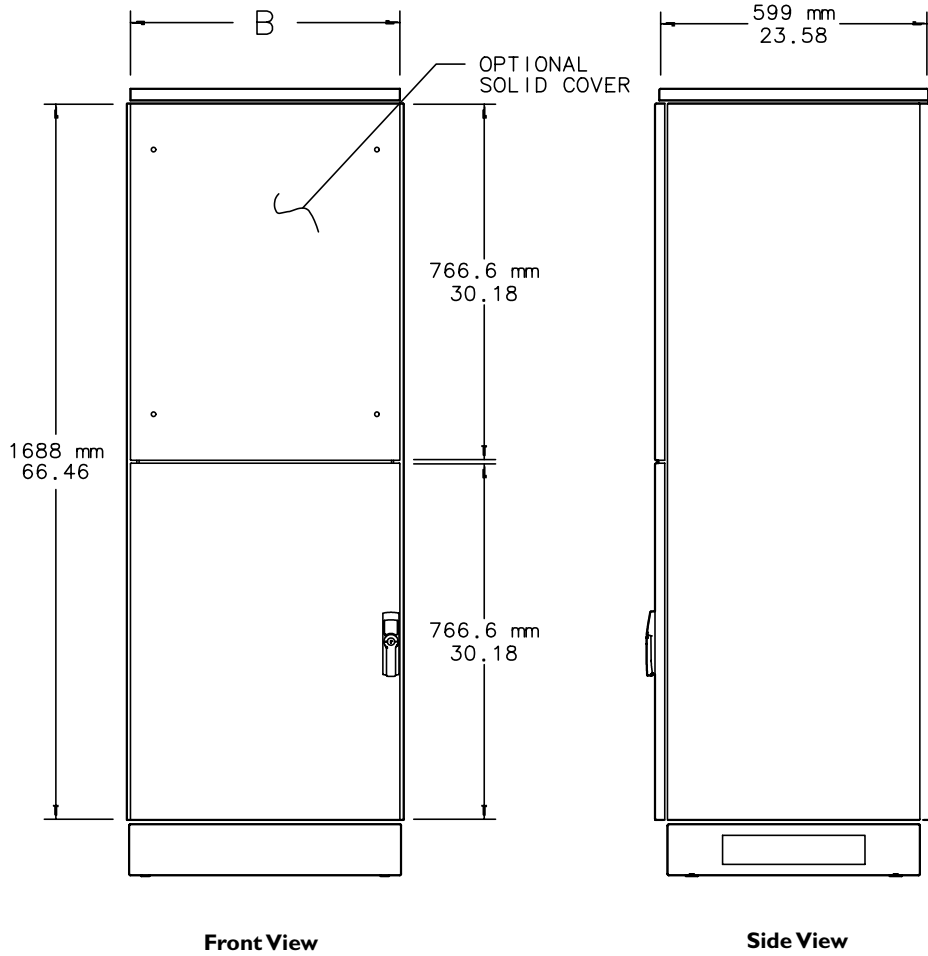
Inch dimensions in ().

NOTE:

Top and bottom door opening size:
29.09 x 21.11 (738.9 x 536.1) on 600mm wide
29.09 x 28.98 (738.9 x 736.1) on 800mm wide

For More Information

See Chapter 1, Modular Enclosure Systems, for more information about the PROLINE-SY packages.

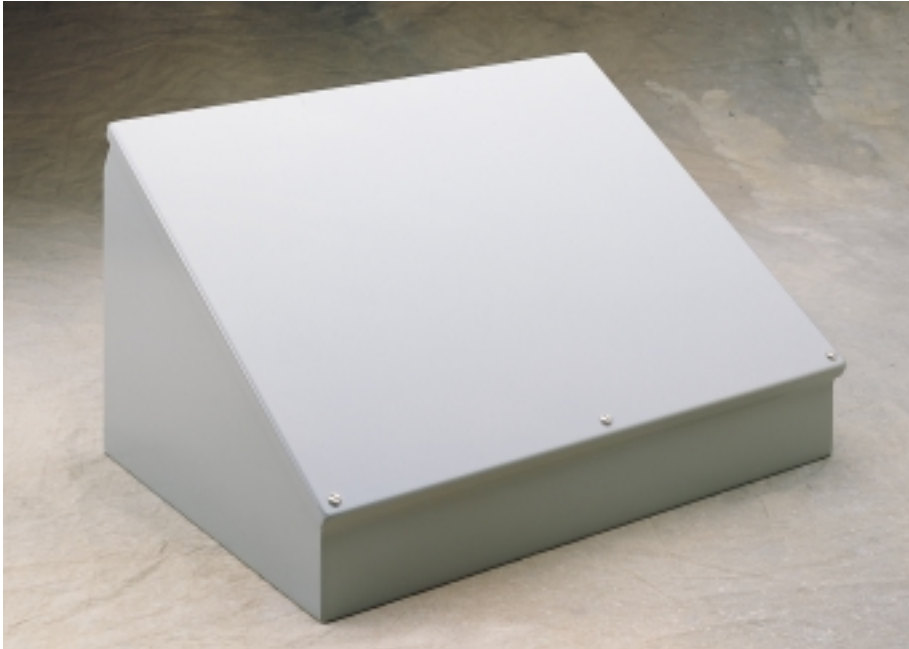


87415146



A Pentair Company

Consolets



Finish

ANSI 61 gray polyester powder paint inside and out over phosphatized surfaces.

Industry Standards

UL 508A, 508, File Number E61997: Type 12 and Type 13
 NEMA/EEMAC Type 12
 CSA File Number LR42186: Type 12
 IEC 60529, IP65

Accessories

See Chapter 12, General Accessories.

- Corrosion Inhibitors
- Latch Kits
- Mounting Bracket Kit
- Pedestals
- Touch-Up Paint (ATPPY61)
- Window Kit

Application

Designed to house a variety of electronic control or instrumentation devices, consolets provide protection from dust, dirt, oil, and water. Flexible design allows for mounting on either of two sides, creating control surfaces of 30 degrees or 60 degrees. Consolets can be mounted on desktops, pedestals, or other flat surfaces.

Construction

- 14 gauge steel
- Seams continuously welded and ground smooth, no holes or knockouts
- Captivated cover screws thread into sealed wells
- Control panel attached with continuous hinge along bottom edge
- Oil-resistant gasket and adhesive
- Bonding provision on cover

See Chapter 6, Corrosion-Resistant Enclosures, for information on related stainless steel products.

Standard Sizes

Pedestal Columns and Bases*

Catalog Number	Size	Description
A44CCOL	4.00 x 4.00 (102 x 102)	Straight Pedestal Column
A66CCOL	6.00 x 6.00 (152 x 152)	Straight Pedestal Column
A18SBASE	18.00 x 18.00 (457 x 457)	Pedestal Base
A24SBASE	24.00 x 24.00 (610 x 610)	Pedestal Base

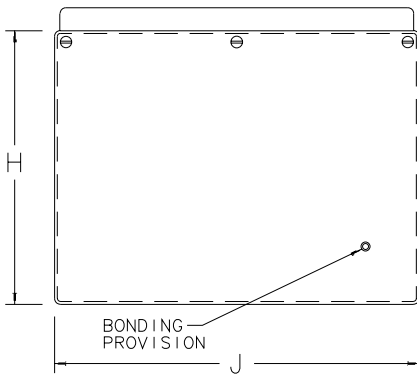
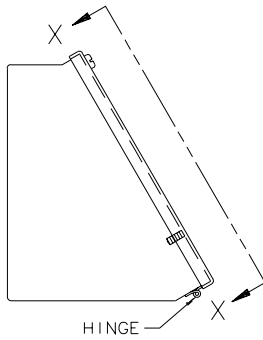
Millimeter dimensions () are for reference only; do not convert metric dimensions to inch.

*See General Accessories for more information.

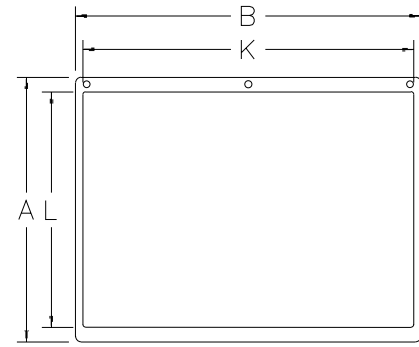
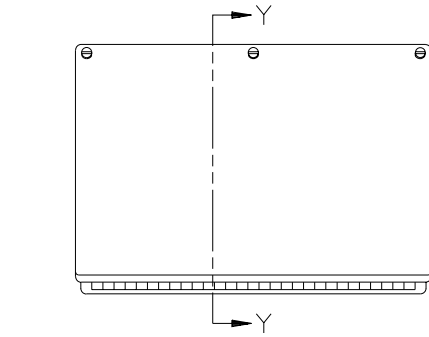
Standard Sizes Consolets

Catalog Number	Enclosure Size A x B x C		E	H	J	K	L	N
	inch	(millimeter)						
C8C8	8.00 x 8.00 x 7.09	(203 x 203 x 180)	5.62 (143)	8.28 (210)	8.28 (210)	7.50 (191)	6.62 (168)	7.44 (189)
C8C12	8.00 x 12.00 x 7.09	(203 x 305 x 180)	5.62 (143)	8.28 (210)	12.28 (312)	11.50 (292)	6.62 (168)	7.44 (189)
C8C16	8.00 x 16.00 x 7.09	(203 x 406 x 180)	5.62 (143)	8.28 (210)	16.28 (414)	15.50 (394)	6.62 (168)	7.44 (189)
C8C20	8.00 x 20.00 x 7.09	(203 x 508 x 180)	5.62 (143)	8.28 (210)	20.28 (515)	19.50 (495)	6.62 (168)	7.44 (189)
C12C12	12.00 x 12.00 x 9.09	(305 x 305 x 231)	7.62 (194)	12.28 (312)	12.28 (312)	11.50 (292)	10.62 (270)	10.91 (277)
C12C16	12.00 x 16.00 x 9.09	(305 x 406 x 231)	7.62 (194)	12.28 (312)	16.28 (414)	15.50 (394)	10.62 (270)	10.91 (277)
C12C20	12.00 x 20.00 x 9.09	(305 x 508 x 231)	7.62 (194)	12.28 (312)	20.28 (515)	19.50 (495)	10.62 (270)	10.91 (277)
C12C24	12.00 x 24.00 x 9.09	(305 x 610 x 231)	7.62 (194)	12.28 (312)	24.28 (617)	23.50 (597)	10.62 (270)	10.91 (277)
C16C16	16.00 x 16.00 x 11.09	(406 x 406 x 282)	9.62 (244)	16.28 (414)	16.28 (414)	15.50 (394)	14.62 (371)	14.38 (365)
C16C20	16.00 x 20.00 x 11.09	(406 x 508 x 282)	9.62 (244)	16.28 (414)	20.28 (515)	19.50 (495)	14.62 (371)	14.38 (365)
C16C24	16.00 x 24.00 x 11.09	(406 x 610 x 282)	9.62 (244)	16.28 (414)	24.28 (617)	23.50 (597)	14.62 (371)	14.38 (365)
C16C30	16.00 x 30.00 x 11.09	(406 x 762 x 282)	9.62 (244)	16.28 (414)	30.28 (769)	29.50 (749)	14.62 (371)	14.38 (365)
C16C36	16.00 x 36.00 x 11.09	(406 x 914 x 282)	9.62 (244)	16.28 (414)	36.28 (922)	35.50 (902)	14.62 (371)	14.38 (365)
C20C20	20.00 x 20.00 x 13.09	(508 x 508 x 332)	11.62 (295)	20.28 (515)	20.28 (515)	18.62 (473)	18.62 (473)	17.84 (453)
C20C24	20.00 x 24.00 x 13.09	(508 x 610 x 332)	11.62 (295)	20.28 (515)	24.28 (617)	22.62 (575)	18.62 (473)	17.84 (453)
C20C30	20.00 x 30.00 x 13.09	(508 x 762 x 332)	11.62 (295)	20.28 (515)	30.28 (769)	28.62 (727)	18.62 (473)	17.84 (453)

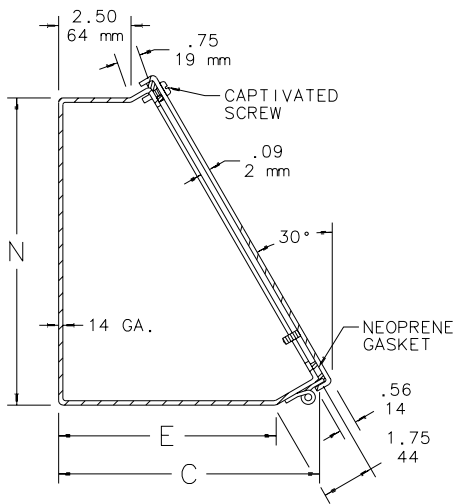
Millimeter dimensions () are for reference only; do not convert metric dimensions to inch.



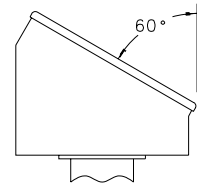
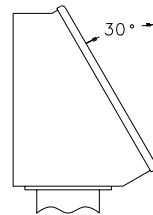
View X-X



View X-X
with Cover Removed



SECTION Y-Y



C2760



Sloping Front 30.5mm and 22.5mm Pushbutton Enclosures



Construction

- 14 gauge steel
- Seams continuously welded and ground smooth
- Captivated cover screws thread into sealed wells
- Grounding stud in body of enclosure
- 4-way pushbutton holes accept all brands of oil-tight pushbuttons, switches, and pilot lights
- Enclosures 7.25 x 6.25 x 6.75 in. (184 x 159 x 171mm) and larger have internal detachable hinge to hold cover open during wiring, yet permit immediate removal
- Larger enclosures with standard mounting brackets removed are ideally suited for mounting on pedestals
- Oil-resistant gasket and adhesive
- Bonding provision on cover

Industry Standards

UL 508A, 508, File Number E61997: Type 12 and Type 13
 NEMA/EEMAC Type 12 and Type 13
 CSA File Number LR42186: Type 12
 IEC 60529, IP65

Accessories

See Chapter 12, General Accessories.

Corrosion Inhibitors
 Oil-Tight Hole Seals
 Pedestals
 Tamper Resistant Screws
 Touch-Up Paint (ATPPY61)

Application

Designed to hold 30.5mm or 22.5mm oil-tight pushbuttons, switches, and pilot lights where slanted control surfaces are desired. Provide protection against dirt, dust, oil, and water.

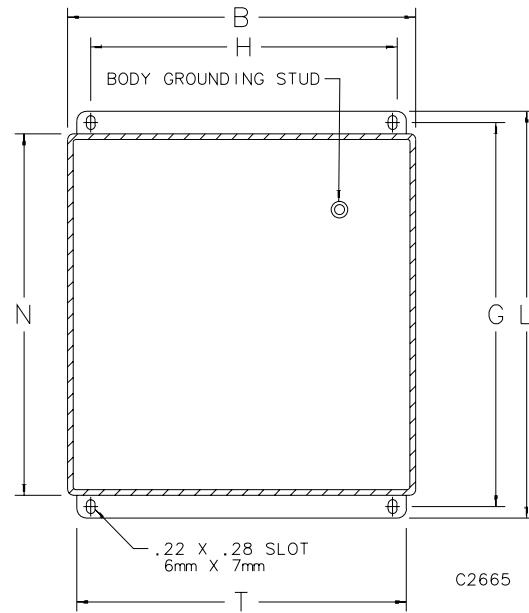
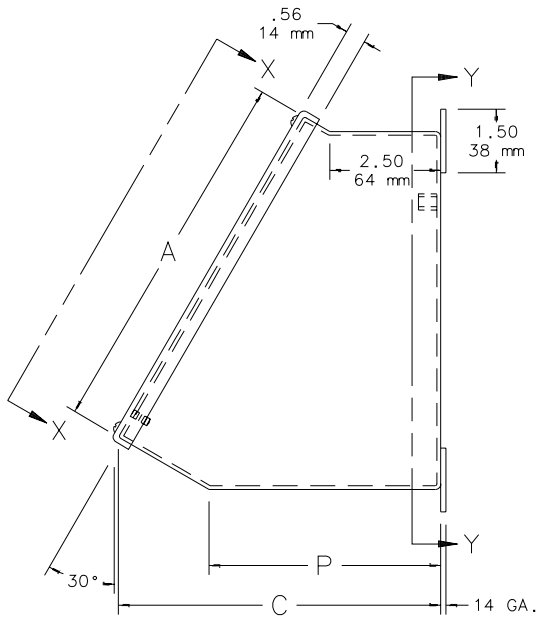
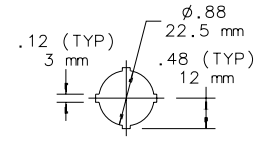
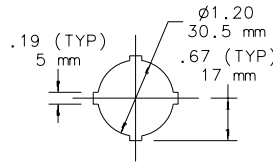
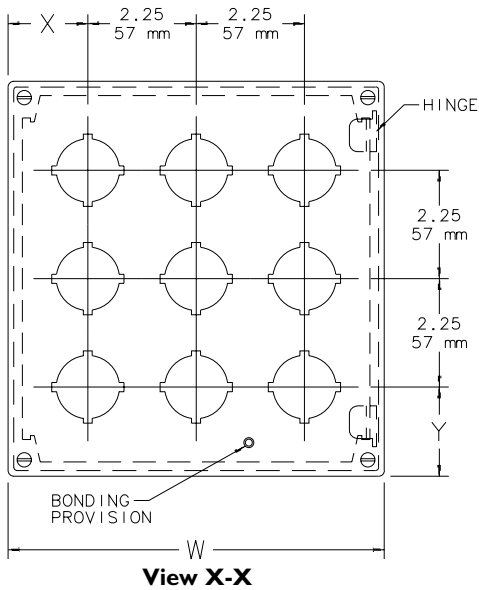
Finish

ANSI 61 gray polyester powder paint inside and out over phosphatized surfaces.

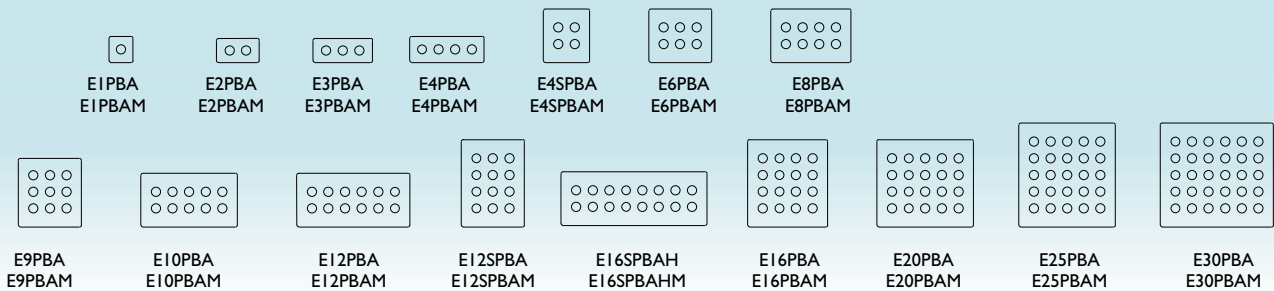
Standard Sizes Sloping Front 30.5mm and 22.5mm Pushbutton Enclosures

Enclosure Catalog Number 30.5mm	Enclosure Catalog Number 22.5mm	Number of Holes	Enclosure Size A x B x C	Mounting G x H	Overall L x W	N	P	T	X	Y
E1PBA	E1PBAM	1	3.50 x 3.25 x 4.84 (89 x 83 x 123)	4.03 x 2.38 (102 x 60)	4.53 x 3.47 (115 x 88)	3.53 (90)	3.34 (85)	3.00 (76)	1.73 (44)	1.86 (47)
E2PBA	E2PBAM	2	3.50 x 5.50 x 4.84 (89 x 140 x 123)	4.03 x 4.62 (102 x 117)	4.53 x 5.72 (115 x 145)	3.53 (90)	3.34 (85)	5.25 (133)	1.73 (44)	1.86 (47)
E3PBA	E3PBAM	3	3.50 x 7.75 x 4.84 (89 x 197 x 123)	4.03 x 6.88 (102 x 175)	4.53 x 7.97 (115 x 202)	3.53 (90)	3.34 (85)	7.50 (191)	1.73 (44)	1.86 (47)
E4PBA	E4PBAM	4	3.50 x 10.00 x 4.84 (89 x 254 x 123)	4.03 x 9.12 (102 x 232)	4.53 x 10.22 (115 x 260)	3.53 (90)	3.34 (85)	9.75 (248)	1.73 (44)	1.86 (47)
E4SPBA	E4SPBAM	4	7.25 x 6.25 x 6.75 (184 x 159 x 171)	7.28 x 5.38 (185 x 137)	7.78 x 6.47 (198 x 164)	6.78 (172)	5.22 (133)	6.00 (152)	2.11 (54)	2.61 (66)
E6PBA	E6PBAM	6	7.25 x 8.50 x 6.75 (184 x 216 x 171)	7.28 x 7.62 (185 x 194)	7.78 x 8.72 (198 x 221)	6.78 (172)	5.22 (133)	8.25 (210)	2.11 (54)	2.61 (66)
E8PBA	E8PBAM	8	7.25 x 10.75 x 6.75 (184 x 273 x 171)	7.28 x 9.88 (185 x 251)	7.78 x 10.97 (198 x 279)	6.78 (172)	5.22 (133)	10.50 (267)	2.11 (54)	2.61 (66)
E9PBA	E9PBAM	9	9.50 x 8.50 x 7.88 (241 x 216 x 200)	9.25 x 7.62 (235 x 194)	9.73 x 8.72 (247 x 221)	8.73 (222)	6.34 (161)	8.25 (210)	2.11 (54)	2.61 (66)
E10PBA	E10PBAM	10	7.25 x 13.00 x 6.75 (184 x 330 x 171)	7.28 x 12.12 (185 x 308)	7.78 x 13.22 (198 x 336)	6.78 (172)	5.22 (133)	12.75 (324)	2.11 (54)	2.61 (66)
E12PBA	E12PBAM	12	7.25 x 15.25 x 6.75 (184 x 387 x 171)	7.28 x 14.38 (185 x 365)	7.78 x 15.47 (198 x 393)	6.78 (172)	5.22 (133)	15.00 (381)	2.11 (54)	2.61 (66)
E12SPBA	E12SPBAM	12	11.75 x 8.50 x 9.00 (298 x 216 x 229)	11.19 x 7.62 (284 x 194)	11.69 x 8.72 (297 x 221)	10.69 272	7.47 190	8.25 210	2.11 (54)	2.61 (66)
E16SPBAH	E16SPBAHM	16	7.25 x 19.75 x 6.75 (184 x 502 x 171)	7.28 x 18.88 (185 x 480)	7.78 x 19.97 (198 x 507)	6.78 (172)	5.22 (133)	19.50 (495)	2.11 (54)	2.61 (66)
E16PBA	E16PBAM	16	11.75 x 10.75 x 9.00 (298 x 273 x 229)	11.19 x 9.88 (284 x 251)	11.69 x 10.97 (297 x 279)	10.69 (272)	7.47 (190)	10.50 (267)	2.11 (54)	2.61 (66)
E20PBA	E20PBAM	20	11.75 x 13.00 x 9.00 (298 x 330 x 229)	11.19 x 12.12 (284 x 308)	11.69 x 13.22 (297 x 336)	10.69 (272)	7.49 (190)	12.75 (324)	2.11 (54)	2.61 (66)
E25PBA	E25PBAM	25	14.00 x 13.00 x 10.12 (356 x 330 x 257)	13.12 x 12.12 (333 x 308)	13.62 x 13.22 (346 x 336)	12.62 (321)	8.59 (218)	12.75 (324)	2.11 (54)	2.61 (66)
E30PBA	E30PBAM	30	14.00 x 15.25 x 10.12 (356 x 387 x 257)	13.12 x 14.38 (333 x 365)	13.62 x 15.47 (346 x 393)	12.62 (321)	8.59 (218)	15.00 (381)	2.11 (54)	2.61 (66)

Millimeter dimensions () are for reference only; do not convert metric dimensions to inch.



Hole Arrangement





A Pentair Company

Extra-Large 30.5mm and 22.5mm Pushbutton Enclosures with Panels



Construction

- 14 gauge steel
- Seams continuously welded and ground smooth
- Captivated cover screws thread into sealed wells
- Cover attached to body with continuous hinge
- 4-way pushbutton holes accept all brands of oil-tight pushbuttons, switches, and pilot lights
- Oil-resistant gasket and adhesive
- Removable 14 gauge panel included, supported by weldnuts
- Bonding provision on cover

Finish

ANSI 61 gray polyester powder paint inside and out over phosphatized surfaces. Panels are white.

Industry Standards

UL 508A, 508, File Number E61997: Type 12 and Type 13
 NEMA/EEMAC Type 12 and Type 13 (see table)
 JIC standards EGP-1-1967 and EMP-1-1967
 CSA File Number LR42186: Type 12
 IEC 60529, IP65

Accessories

See Chapter 12, General Accessories.

- Corrosion Inhibitors
- Oil-Tight Hole Seals
- Pedestals
- Tamper Resistant Screws
- Touch-Up Paint (ATPPY61)

Application

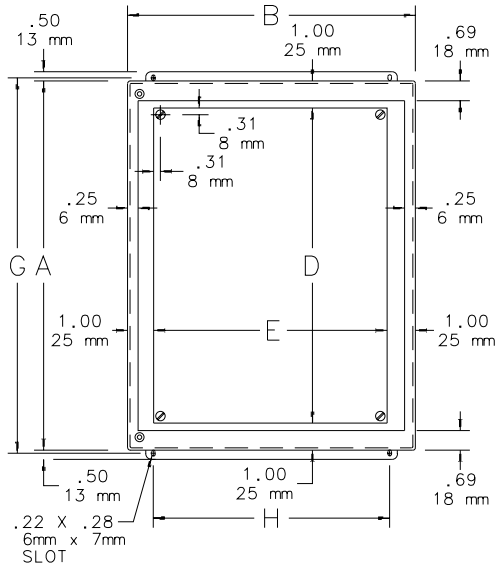
Designed to hold 30.5mm or 22.5mm oil-tight pushbuttons, switches, and pilot lights with extra size to allow 2.50 inches between centers of pushbutton holes. Enclosures provide protection against dirt, dust, oil, and water.

Standard Sizes Extra-Large 30.5mm and 22.5mm Pushbutton Enclosures with Panels

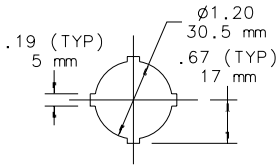
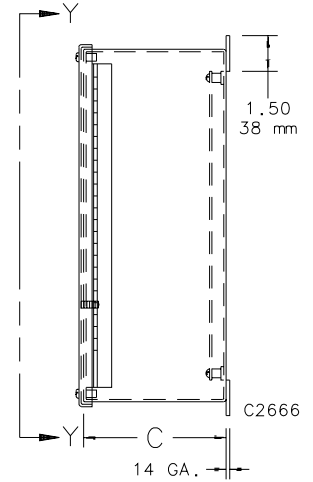
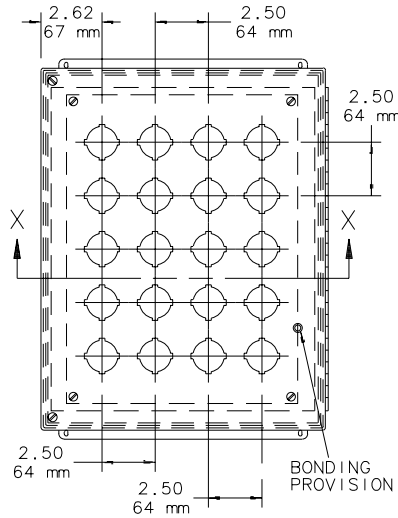
Enclosure Catalog Number		Holes	Number of A x B x C	Enclosure Size D x E	Panel Size G x H	Mounting T
30.5mm	22.5mm					
• E4SPBY25	E4SPBY25M	4	8.50 x 7.50 x 6.00 (216 x 191 x 152)	6.50 x 5.50 (165 x 140)	9.00 x 6.62 (229 x 168)	7.25 (184)
• E6PBY25	E6PBY25M	6	11.00 x 7.50 x 6.00 (279 x 191 x 152)	9.00 x 5.50 (229 x 140)	11.50 x 6.62 (292 x 168)	7.25 (184)
• E9PBY25	E9PBY25M	9	11.00 x 10.00 x 6.00 (279 x 254 x 152)	9.00 x 8.00 (229 x 203)	11.50 x 9.12 (292 x 232)	9.75 (248)
• E12PBY25	E12PBY25M	12	13.50 x 10.00 x 6.00 (343 x 254 x 152)	11.50 x 8.00 (292 x 203)	14.00 x 9.12 (356 x 232)	9.75 (248)
• E16PBY25	E16PBY25M	16	13.50 x 12.50 x 6.00 (343 x 318 x 152)	11.50 x 10.50 (292 x 267)	14.00 x 11.62 (356 x 295)	12.25 (311)
• E20PBY25	E20PBY25M	20	16.00 x 12.50 x 6.00 (406 x 318 x 152)	14.00 x 10.50 (356 x 267)	16.50 x 11.62 (419 x 295)	12.25 (311)
E25PBY25	E25PBY25M	25	16.00 x 15.00 x 6.00 (406 x 381 x 152)	14.00 x 13.00 (356 x 330)	16.50 x 14.12 (419 x 359)	14.75 (375)
E30PBY25	E30PBY25M	30	18.50 x 15.00 x 6.00 (470 x 381 x 152)	16.50 x 13.00 (419 x 330)	19.00 x 14.12 (483 x 359)	14.75 (375)
E36PBY25	E36PBY25M	36	18.50 x 17.50 x 6.00 (470 x 445 x 152)	16.50 x 15.50 (419 x 394)	19.00 x 16.62 (483 x 422)	17.25 (438)
E42PBY25	E42PBY25M	42	21.00 x 17.50 x 6.00 (533 x 445 x 152)	19.00 x 15.50 (483 x 394)	21.50 x 16.62 (546 x 422)	17.25 (438)

Millimeter dimensions () are for reference only; do not convert metric dimensions to inch

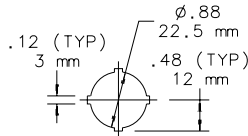
- NEMA Type 13



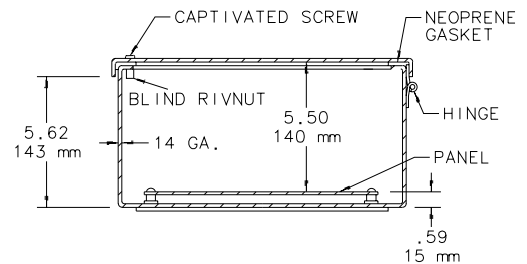
View Y-Y with Cover Removed



30.5mm 4-way

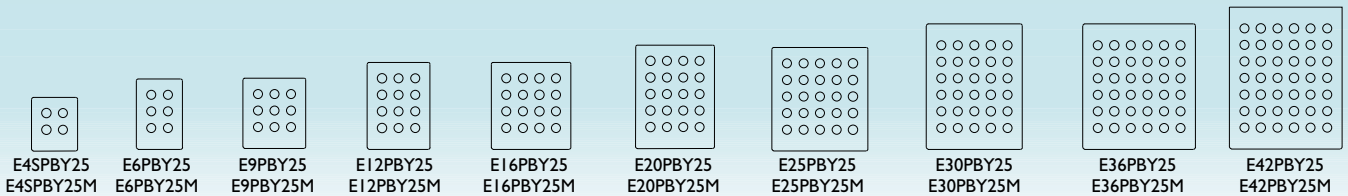


22.5mm 4-way



SECTION X-X

Hole Arrangement





A Pentair Company

Extra-Deep 30.5mm and 22.5mm Pushbutton Enclosures



Construction

- 16 or 14 gauge steel; 14 gauge bodies, 16 gauge covers
- Seams continuously welded and ground smooth
- Captivated cover screws thread into sealed wells
- Grounding stud in body of enclosure
- 4-way pushbutton holes accept all brands of oil-tight pushbuttons, switches, and pilot lights
- Enclosures 6.00 x 4.00 x 4.75 in. (152 x 102 x 121mm) and larger have internal detachable hinge to hold cover open during wiring, yet permit immediate removal
- Oil-resistant gasket and adhesive
- Bonding provision on cover

Industry Standards

Steel Enclosures

UL 508A, 508, File Number E61997: Type 12 and Type 13
 NEMA/EEMAC Type 12 and Type 13
 JIC Standard EGP-1-1967
 CSA File Number LR42186: Type 12
 IEC 60529, IP65

Accessories

See Chapter 12, General Accessories.

Corrosion Inhibitors
 Oil-Tight Hole Seals
 Pedestals
 Tamper Resistant Screws
 Touch-Up Paint (ATPPY61)

Application

Designed to hold 30.5mm or 22.5mm oil-tight pushbuttons, switches, and pilot lights. Enclosures provide protection against dirt, dust, oil, and water. Extra deep design accommodates additional contact blocks for pushbuttons.

Finish

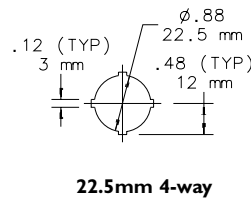
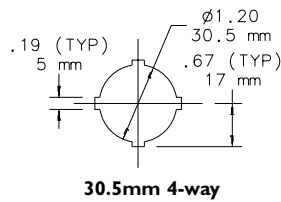
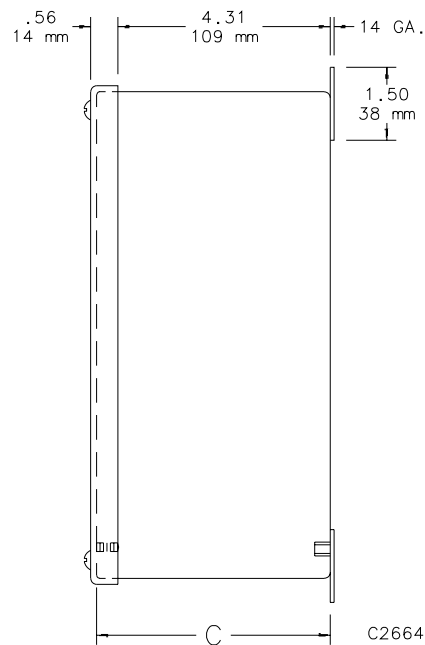
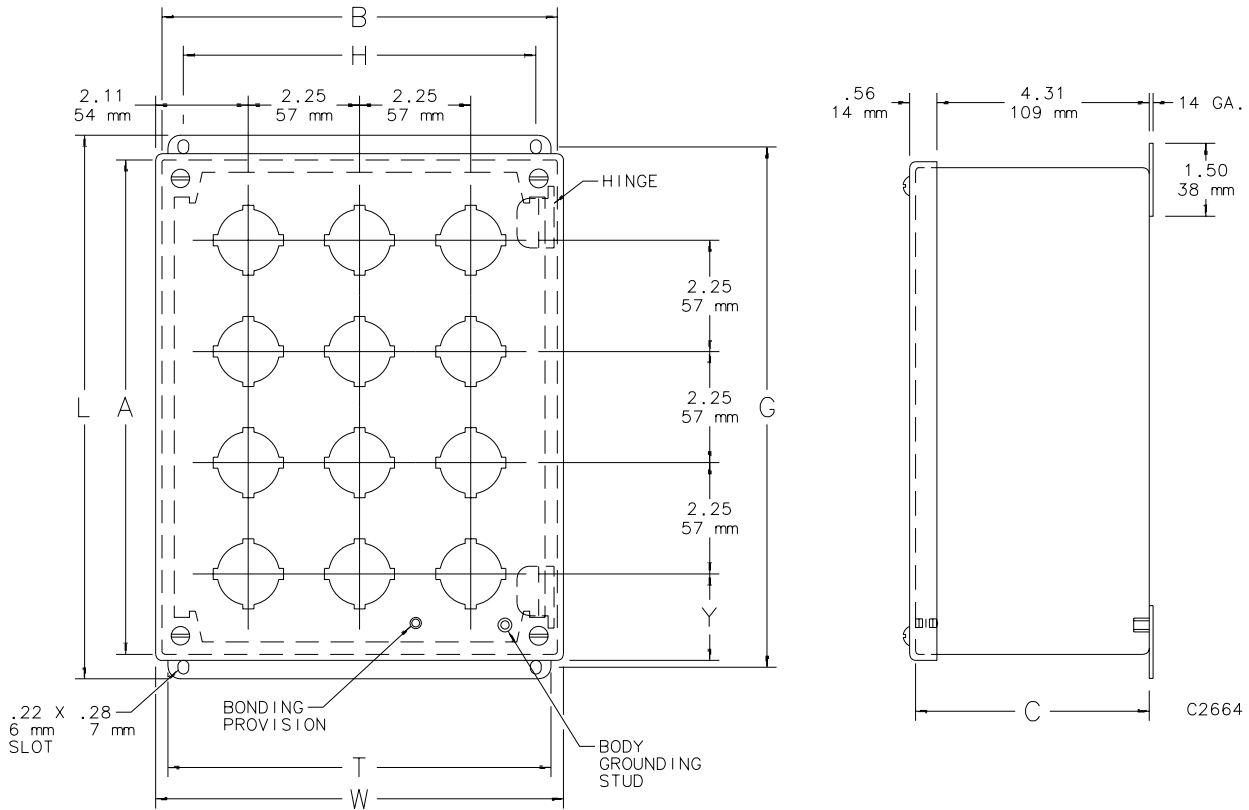
ANSI 61 gray polyester powder paint inside and out over phosphatized surfaces.

See Chapter 6, Corrosion-Resistant Enclosures, for information on related stainless steel products.

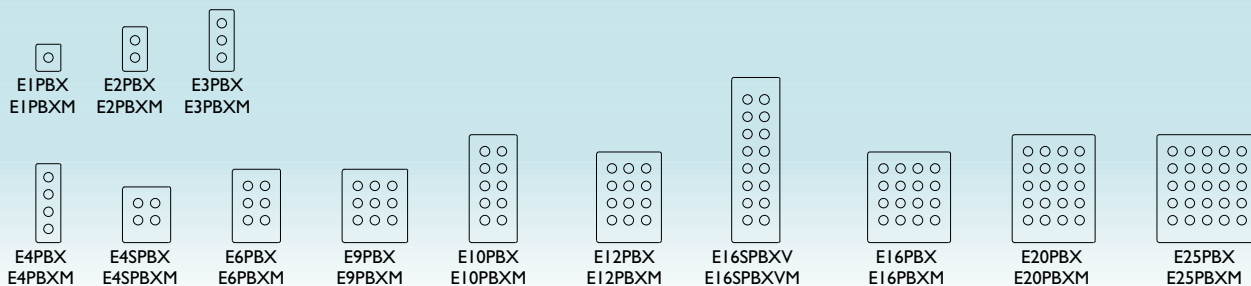
Standard Sizes Extra Deep 30.5mm and 22.5mm Pushbutton Enclosures

Enclosure Catalog Number		Gauge	Number of Holes	Enclosure Size A x B x C	Mounting G x H	Overall L x W	T	Y
30.5mm Hole	22.5mm Hole							
E1PBX	E1PBXM	16	1	4.00 x 4.00 x 4.75 (102 x 102 x 121)	4.50 x 3.12 (114 x 79)	5.00 x 4.22 (127 x 107)	3.75 (95)	2.11 (54)
E2PBX	E2PBXM	14	2	6.00 x 4.00 x 4.75 (152 x 102 x 121)	6.50 x 3.12 (165 x 79)	7.00 x 4.22 (178 x 107)	3.75 (95)	1.98 (50)
E3PBX	E3PBXM	14	3	8.00 x 4.00 x 4.75 (203 x 102 x 121)	8.50 x 3.12 (216 x 79)	9.00 x 4.22 (229 x 107)	3.75 (95)	1.86 (47)
E4PBX	E4PBXM	14	4	10.00 x 4.00 x 4.75 (254 x 102 x 121)	10.50 x 3.12 (267 x 79)	11.00 x 4.22 (279 x 107)	3.75 (95)	1.73 (44)
E4SPBX	E4SPBXM	14	4	7.25 x 6.25 x 4.75 (184 x 159 x 121)	7.75 x 5.38 (197 x 137)	8.25 x 6.47 (210 x 164)	6.00 (152)	2.61 (66)
E6PBX	E6PBXM	14	6	9.50 x 6.25 x 4.75 (241 x 159 x 121)	10.00 x 5.38 (254 x 137)	10.50 x 6.47 (267 x 164)	6.00 (152)	2.61 (66)
E9PBX	E9PBXM	14	9	9.50 x 8.50 x 4.75 (241 x 216 x 121)	10.00 x 7.62 (254 x 194)	10.50 x 8.72 (267 x 221)	8.25 (210)	2.61 (66)
E10PBX	E10PBXM	14	10	14.00 x 6.25 x 4.75 (356 x 159 x 121)	14.50 x 5.38 (368 x 137)	15.00 x 6.47 (381 x 164)	6.00 (152)	2.61 (66)
E12PBX	E12PBXM	14	12	11.75 x 8.50 x 4.75 (298 x 216 x 121)	12.25 x 7.62 (311 x 194)	12.75 x 8.72 (324 x 221)	8.25 (210)	2.61 (66)
E16SPBXV	E16SPBXVM	14	16	20.75 x 6.25 x 4.75 (527 x 159 x 121)	21.25 x 5.38 (540 x 137)	21.75 x 6.47 (552 x 164)	6.00 (152)	2.61 (66)
E16PBX	E16PBXM	14	16	11.75 x 10.75 x 4.75 (298 x 273 x 121)	12.25 x 9.88 (311 x 251)	12.75 x 10.97 (324 x 279)	10.50 (267)	2.61 (66)
E20PBX	E20PBXM	14	20	14.00 x 10.75 x 4.75 (356 x 273 x 121)	14.50 x 9.88 (368 x 251)	15.00 x 10.97 (381 x 279)	10.50 (267)	2.61 (66)
E25PBX	E25PBXM	14	25	14.00 x 13.00 x 4.75 (356 x 330 x 121)	14.50 x 12.12 (368 x 308)	15.00 x 13.22 (381 x 336)	12.75 (324)	2.61 (66)

Millimeter dimensions () are for reference only; do not convert metric to inch.



Hole Arrangement





A Pentair Company

30.5mm and 22.5mm Pushbutton Enclosures



Construction

- 16 or 14 gauge steel; 14 gauge bodies, 16 gauge covers
- Seams continuously welded and ground smooth
- Captivated cover screws thread into sealed wells
- Grounding stud in body of enclosure
- 4-way pushbutton holes accept all brands of oil-tight pushbuttons, switches, and pilot lights
- Enclosures with more than one column of pushbutton holes have internal detachable hinge to hold cover open during wiring, yet permit immediate removal
- Oil-resistant gasket and adhesive
- Bonding provision on cover

Industry Standards

UL 508A, 508, File Number E61997: Type 12 and Type 13
 NEMA/EEMAC Type 12 and Type 13
 JIC Standard EGP-I-1967
 CSA File Number LR42186: Type 12
 IEC 60529, IP65

Accessories

See Chapter 12, General Accessories.
 Corrosion Inhibitors
 Oil-Tight Hole Seals
 Pedestals
 Tamper Resistant Screws
 Touch-Up Paint (ATPPY61)

Application

Designed to hold 30.5mm or 22.5mm oil-tight pushbuttons, switches, and pilot lights. Enclosures provide protection against dirt, dust, oil, and water.

Finish

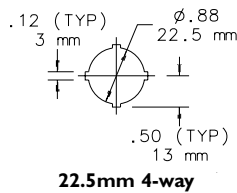
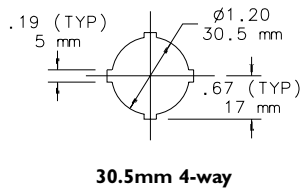
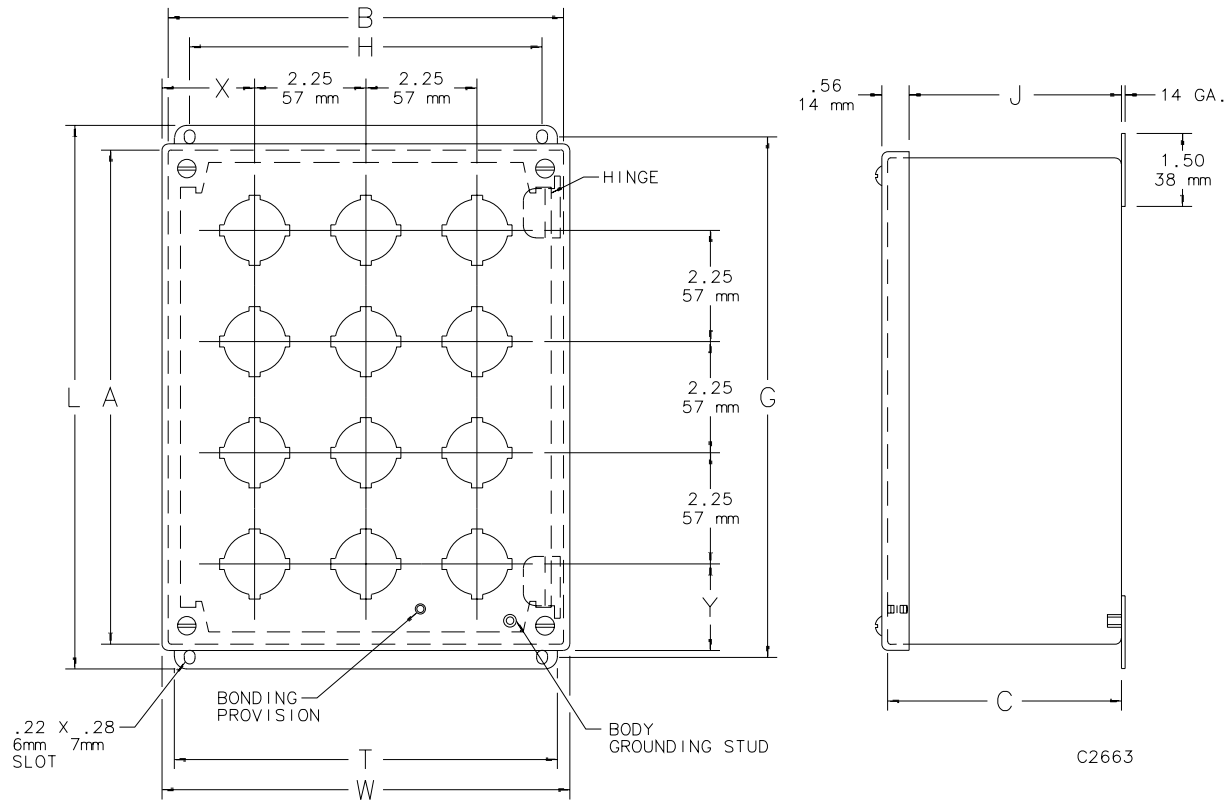
ANSI 61 gray polyester powder paint inside and out over phosphatized surfaces.

See Chapter 6, Corrosion-Resistant Enclosures, for information on related stainless steel products.

Standard Sizes 30.5mm and 22.5mm Pushbutton Enclosures

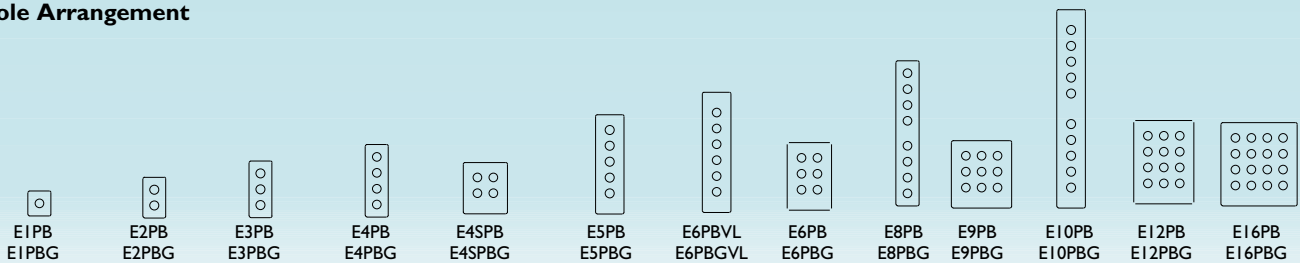
Enclosure Catalog Number	Enclosure Catalog Number	Gauge	Number of Holes	Size A x B x C	Mounting G x H	Overall L x W	J	T	X	Y
30.5mm Hole	22.5mm Hole									
E1PB	E1PBG	16	1	3.50 x 3.25 x 2.75 (89 x 83 x 70)	4.00 x 2.38 (102 x 60)	4.50 x 3.47 (114 x 88)	2.31 (59)	3.00 (76)	1.73 (47)	1.86 (47)
E2PB	E2PBG	16	2	5.75 x 3.25 x 2.75 (146 x 83 x 70)	6.25 x 2.38 (159 x 60)	6.75 x 3.47 (171 x 88)	2.31 (59)	3.00 (76)	1.73 (44)	1.86 (47)
E3PB	E3PBG	14	3	8.00 x 3.25 x 2.75 (203 x 83 x 70)	8.50 x 2.38 (216 x 60)	9.00 x 3.47 (229 x 88)	2.31 (59)	3.00 (76)	1.73 (44)	1.86 (47)
E4PB	E4PBG	14	4	10.25 x 3.25 x 2.75 (260 x 83 x 70)	10.75 x 2.38 (273 x 60)	11.25 x 3.47 (286 x 88)	2.31 (59)	3.00 (76)	1.73 (44)	1.86 (47)
E4SPB	E4SPBG	14	4	7.25 x 6.25 x 3.00 (184 x 159 x 76)	7.75 x 5.38 (197 x 137)	8.25 x 6.47 (210 x 164)	2.56 (65)	6.00 (152)	2.11 (54)	2.61 (66)
E5PB	E5PBG	14	5	12.50 x 3.25 x 2.75 (317 x 83 x 70)	13.00 x 2.38 (330 x 60)	13.50 x 3.47 (343 x 88)	2.31 (59)	3.00 (76)	1.73 (44)	1.86 (47)
E6PBVL	E6PBGVL	14	6	14.75 x 3.25 x 2.75 (375 x 83 x 70)	15.25 x 2.38 (387 x 60)	15.75 x 3.47 (400 x 88)	2.31 (59)	3.00 (76)	1.73 (44)	1.86 (47)
E6PB	E6PBG	14	6	9.50 x 6.25 x 3.00 (241 x 159 x 76)	10.00 x 5.38 (254 x 137)	10.50 x 6.47 (267 x 164)	2.56 (65)	6.00 (152)	2.11 (54)	2.61 (66)
E8PB	E8PBG	14	8	20.25 x 3.25 x 2.75 (514 x 83 x 70)	20.75 x 2.38 (527 x 60)	21.25 x 3.47 (540 x 88)	2.31 (59)	3.00 (76)	1.73 (44)	1.86 (47)
E9PB	E9PBG	14	9	9.50 x 8.50 x 3.00 (241 x 216 x 76)	10.00 x 7.62 (254 x 194)	10.50 x 8.72 (267 x 221)	2.56 (65)	8.25 (210)	2.11 (54)	2.61 (66)
E10PB	E10PBG	14	10	24.75 x 3.25 x 2.75 (629 x 83 x 70)	25.25 x 2.38 (641 x 60)	25.75 x 3.47 (654 x 88)	2.31 (59)	3.00 (76)	1.73 (44)	1.86 (47)
E12PB	E12PBG	14	12	11.75 x 8.50 x 3.00 (298 x 216 x 76)	12.25 x 7.62 (311 x 194)	12.75 x 8.72 (324 x 221)	2.56 (65)	8.25 (210)	2.11 (54)	2.61 (66)
E16PB	E16PBG	14	16	11.75 x 10.75 x 3.00 (298 x 273 x 76)	12.25 x 9.88 (311 x 251)	12.75 x 10.97 (324 x 279)	2.56 (65)	10.50 (267)	2.11 (54)	2.61 (66)

Millimeter dimensions () are for reference only; do not convert metric to inch.



NOTE: E8PB and E10PB have 1.00" (25mm) added between two center holes.

Hole Arrangement





A Pentair Company

Rev. A October 2004

DPB Pushbutton Enclosures



Construction

- Drawn 16 gauge steel, no welded seams or sharp corners
- Cover screws thread into enclosure outside gasket line to prevent leakage through cover screw holes
- Grounding stud in body of enclosure
- Flanged cover
- Oil-resistant gasket and adhesive
- Bonding provision on cover

Finish

ANSI 61 gray polyester powder paint inside and out over phosphatized surfaces.

Industry Standards

UL 508A, 508, File Number E61997: Type 4, Type 12, and Type 13
NEMA/EEMAC Type 4, Type 12 and Type 13
IEC 60529, IP66

Accessories

See Chapter 12, General Accessories.

Corrosion Inhibitors
Oil-Tight Hole Seals
Touch-Up Paint (ATPPY61)

Application

Designed to hold oil-tight pushbuttons, switches, and pilot lights that mount in 30.5mm or 22.5mm 4-way pushbutton holes. Enclosures provide protection against dirt, dust, and water.

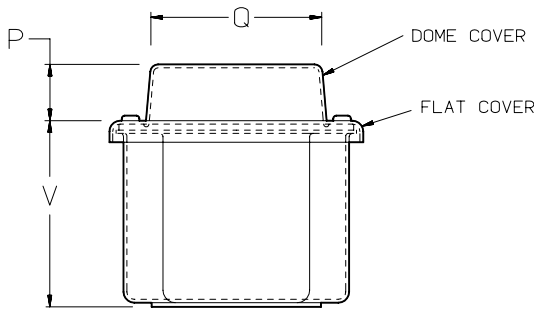
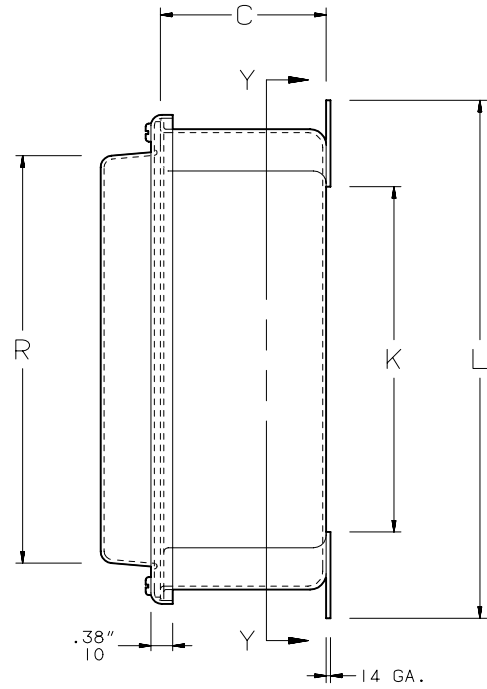
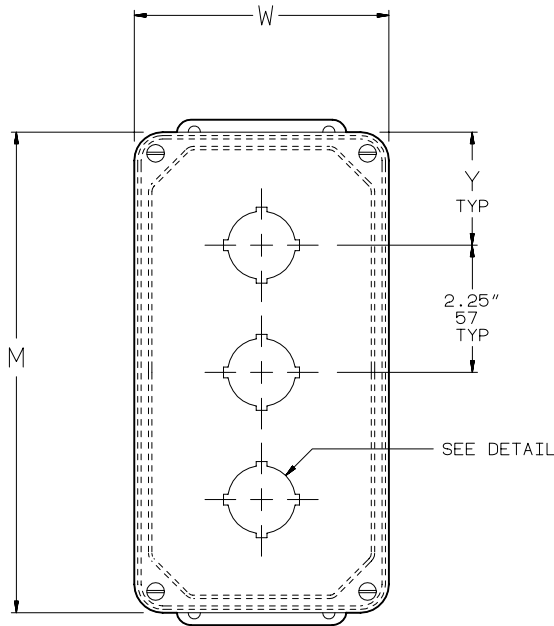
Standard Sizes DPB Pushbutton Enclosures

Enclosure Catalog Number	30.5mm 22.5mm	Number of Holes	Size A x B x C	Mounting G x H	Cover Type															Y*
						F	K	L	M	P	Q	R	S	T	V	W				
* ED1PB1		1	4.50 x 2.88 x 2.62 (114 x 73 x 67)	5.00 x 1.12 (127 x 29)	Flat	—	—	—	—	—	—	—	—	—	—	—	—	—	2.78 (71)	
ED1PB2		1	3.50 x 4.00 x 2.75 (89 x 102 x 70)	4.00 x 2.38 (102 x 60)	Flat	3.00 (76)	1.50 (38)	4.50 (114)	4.00 (102)	—	—	—	2.06 (52)	2.56 (65)	2.98 (76)	4.50 (114)	2.00 (51)			
ED2PB		2	5.75 x 4.00 x 2.75 (146 x 102 x 70)	6.25 x 2.38 (159 x 60)	Flat	3.00 (76)	3.75 (95)	6.75 (171)	6.25 (159)	—	—	—	4.31 (109)	2.56 (65)	2.98 (76)	4.50 (114)	2.00 (51)			
ED3PB		3	8.00 x 4.00 x 2.75 (203 x 102 x 70)	8.50 x 2.38 (216 x 60)	Flat	3.00 (76)	6.00 (152)	9.00 (229)	8.50 (216)	—	—	—	6.56 (167)	2.56 (65)	2.98 (76)	4.50 (114)	2.00 (51)			
ED4PB		4	10.25 x 4.00 x 2.75 (260 x 102 x 70)	10.75 x 2.38 (273 x 60)	Flat	3.00 (76)	8.25 (210)	11.25 (286)	10.75 (273)	—	—	—	8.81 (224)	2.56 (65)	2.98 (76)	4.50 (114)	2.00 (51)			
§ ED1PBX	ED1PBXM	1	3.50 x 4.00 x 3.75 (89 x 102 x 95)	4.00 x 2.38 (102 x 60)	Dome	3.00 (76)	1.50 (38)	4.50 (114)	4.00 (102)	1.00 (25)	3.03 (77)	2.53 (64)	2.06 (52)	2.56 (65)	3.98 (101)	4.50 (114)	2.00 (51)			
§ ED2PBX	ED2PBXM	2	5.75 x 4.00 x 3.75 (146 x 102 x 95)	6.25 x 2.38 (159 x 60)	Dome	3.00 (76)	3.75 (95)	6.75 (171)	6.25 (159)	1.00 (25)	3.03 (77)	4.78 (121)	4.31 (109)	2.56 (65)	3.98 (101)	4.50 (114)	2.00 (51)			
§ ED3PBX	ED3PBXM	3	8.00 x 4.00 x 3.75 (203 x 102 x 95)	8.50 x 2.38 (216 x 60)	Dome	3.00 (76)	6.00 (152)	9.00 (229)	8.50 (216)	1.00 (25)	3.03 (77)	7.03 (179)	6.56 (167)	2.56 (65)	3.98 (101)	4.50 (114)	2.00 (51)			
§ ED4PBX	ED4PBXM	4	10.25 x 4.00 x 3.75 (260 x 102 x 95)	10.75 x 2.38 (273 x 60)	Dome	3.00 (76)	8.25 (210)	11.25 (286)	10.75 (273)	1.00 (25)	3.03 (77)	9.25 (235)	8.81 (224)	2.56 (65)	3.98 (101)	4.50 (114)	2.00 (51)			
* ED1PBM1		1	4.50 x 2.88 x 2.62 (114 x 73 x 67)	5.00 x 1.12 (127 x 29)	Flat	—	—	—	—	—	—	—	—	—	—	—	—	2.78 (71)		
ED1PBM2		1	3.50 x 4.00 x 3.75 (89 x 102 x 95)	4.00 x 2.38 (102 x 60)	Flat	3.00 (76)	1.50 (38)	4.50 (114)	4.00 (102)	—	—	—	2.06 (52)	2.56 (65)	3.98 (101)	4.50 (114)	2.00 (51)			
ED2PBM		2	5.75 x 4.00 x 3.75 (146 x 102 x 95)	6.25 x 2.38 (159 x 60)	Flat	3.00 (76)	3.75 (95)	6.75 (171)	6.25 (159)	—	—	—	4.31 (109)	2.56 (65)	3.98 (101)	4.50 (114)	2.00 (51)			
ED3PBM		3	8.00 x 4.00 x 3.75 (203 x 102 x 95)	8.50 x 2.38 (216 x 60)	Flat	3.00 (76)	6.00 (152)	9.00 (229)	8.50 (216)	—	—	—	6.56 (167)	2.56 (65)	3.98 (101)	4.50 (114)	2.00 (51)			
ED4PBM		4	10.25 x 4.00 x 3.75 (260 x 102 x 95)	10.75 x 2.38 (273 x 60)	Flat	3.00 (76)	8.25 (210)	11.25 (286)	10.75 (273)	—	—	—	8.81 (224)	2.56 (65)	3.98 (101)	4.50 (114)	2.00 (51)			

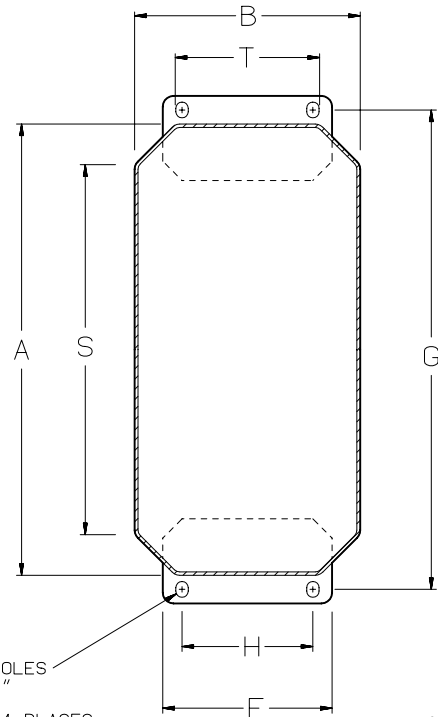
Millimeter dimensions () are for reference only; do not convert metric dimensions to inch.

* For enclosure dimensions, see catalog number A403DSC in Industrial Enclosures, Small Screw Cover DSC Boxes. "Y" dimension locates pushbutton hole.

§ Enclosure depth = P+V for domed cover enclosures.

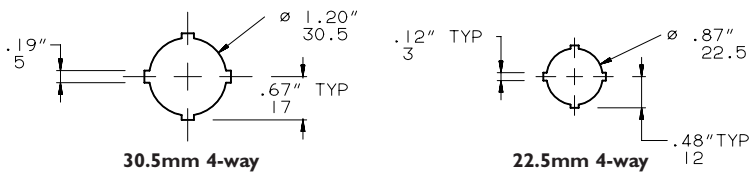


End View



C2662

SECTION Y-Y

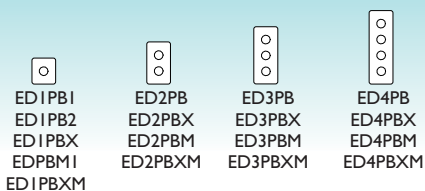


30.5mm 4-way

22.5mm 4-way

- NOTES: 1. External mounting brackets are 14 gauge steel.
2. These drawings do not apply to catalog numbers EDIPB1 and EDIPBM1. For enclosure dimensions, see catalog number A403DSC in Industrial Enclosures, Small Screw Cover DSC Boxes. "Y" dimension locates pushbutton hole.

Hole Arrangement





A Pentair Company

Deep 22.5mm Pushbutton Enclosures



Application

Designed to hold oil-tight pushbuttons, switches, and pilot lights that mount in 22.5mm 4-way pushbutton holes. Enclosures provide protection against dirt, dust, oil, and water.

Construction

- 14 gauge steel
- Seams continuously welded and ground smooth
- Captivated cover screws thread into sealed wells
- Grounding stud in body of enclosure
- Enclosures 8.50 x 5.00 x 4.25 in. (216 x 127 x 108mm) and larger have internal detachable hinge to hold cover open during wiring, yet permit immediate removal
- Oil-resistant gasket and adhesive
- Bonding provision on cover

Industry Standards

UL 508A, 508, File Number E61997: Type 12 and Type 13
 NEMA/EEMAC Type 12 and Type 13
 JIC standards EGP-1-1967 and EMP1 1967
 CSA File Number LR42186: Type 12
 IEC 60529, IP65

Accessories

See Chapter 12, General Accessories.

Corrosion Inhibitors
 Oil-Tight Hole Seals
 Pedestals
 Tamper Resistant Screws
 Touch-Up Paint (ATPPY61)

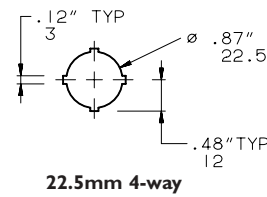
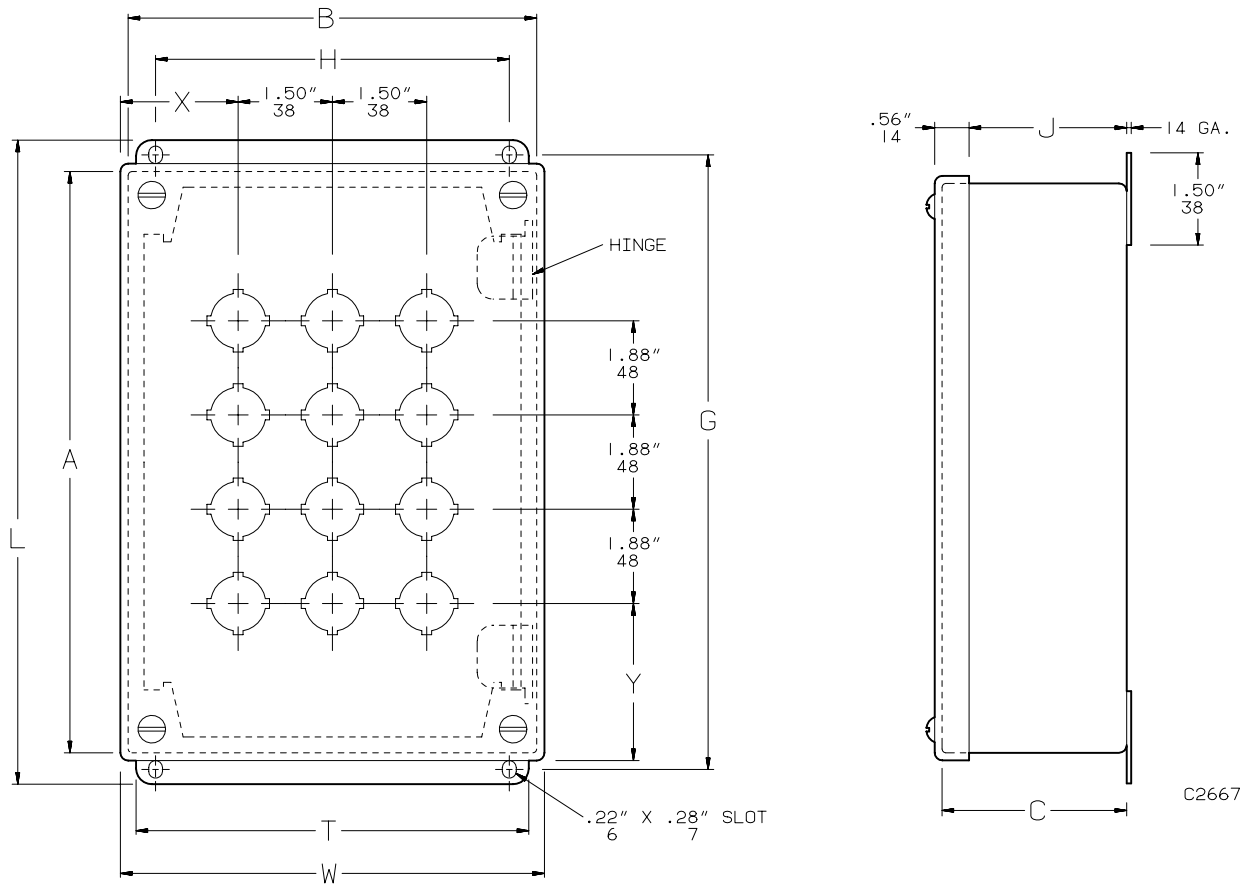
Finish

ANSI 61 gray polyester powder paint inside and out over phosphatized surfaces.

Standard Sizes 22.5mm Pushbutton Enclosures

Enclosure Catalog Number	Number of Holes	Enclosure Size A x B x C	Mounting G x H	Overall L x W	J	T	X	Y
E1PBGXM	1	3.25 x 2.75 x 3.50 (83 x 70 x 89)	3.75 x 1.88 (95 x 48)	4.25 x 2.97 (108 x 75)	3.09 (78)	2.50 (64)	1.48 (38)	1.73 (44)
E2PBGXM	2	5.12 x 2.75 x 3.50 (130 x 70 x 89)	5.62 x 1.88 (143 x 48)	6.12 x 2.97 (155 x 75)	3.09 (78)	2.50 (64)	1.48 (38)	1.55 (39)
E3PBGXM	3	7.25 x 2.75 x 3.50 (184 x 70 x 89)	7.75 x 1.88 (197 x 48)	8.25 x 2.97 (210 x 75)	3.09 (78)	2.50 (64)	1.48 (38)	1.48 (38)
E4PBGXM	4	9.50 x 2.75 x 3.50 (241 x 70 x 89)	10.00 x 1.88 (254 x 48)	10.50 x 2.97 (267 x 75)	3.09 (78)	2.50 (64)	1.48 (38)	1.48 (38)
E6PBGXM	6	8.50 x 5.00 x 4.25 (216 x 127 x 108)	9.00 x 4.12 (229 x 105)	9.50 x 5.22 (241 x 133)	3.84 (98)	4.75 (121)	1.48 (38)	2.11 (54)
E9PBGXM	9	8.50 x 7.25 x 4.25 (216 x 184 x 108)	9.00 x 6.38 (229 x 162)	9.50 x 7.47 (241 x 190)	3.84 (98)	6.25 (159)	1.48 (38)	2.11 (54)
E12PBGXM	12	10.38 x 7.25 x 4.25 (264 x 184 x 108)	10.88 x 6.38 (276 x 162)	11.38 x 7.47 (289 x 190)	3.84 (98)	6.25 (159)	1.48 (38)	1.92 (49)

Millimeter dimensions () are for reference only; do not convert metric dimensions to inch.



Hole Arrangement

