

Pricebook

Canada Reference Guide and Pricebook

Prices effective
January 1, 2014

Eaton ePDU G3

EATON

Powering Business Worldwide

Switch  N to Eaton.



REFERENCE GUIDE AND PRICEBOOK

Table of Contents

Introduction

Input Plug and Output Receptacle Chart.....	3
---	---

Ordering Information, Parts, Accessories and Current List Pricing

Eaton Power Distribution, Monitoring and Enclosures

ePDU Basic	5
ePDU Metered Input (Monitored).....	7
ePDU Switched	8
ePDU Managed.....	9
Eaton Automatic Transfer Switches.....	10
Eaton HotSwap Maintenance Bypass (MBP)	11
ePDU Cables	12
Eclipse Surge Suppressors	13
Eaton S-Series Rack.....	14
Environmental Rack Monitor (ERM).....	18
Remote Power Panel (RPP)	20
Power Distribution Rack (PDR)	24
Eaton Branch Circuit Breakers	26
Eaton Energy Management System Upgrade Kit.....	27
UL Listed Power Distribution Cables	28

Single-phase Products

Catalog Number Ordering Instructions for Single-phase Products.....	31
---	----

Single-phase (Standby)

Eaton 3S UPS (350–750 VA).....	32
--------------------------------	----

Single-phase (Line-interactive)

Eaton 5S UPS (550–1500 VA).....	33
Eaton 5SC UPS (550–1500 VA)	34
Eaton 5P UPS Rackmount (550–3000 VA)	35
Eaton 5P UPS Tower (750–3000 VA)	37
Eaton 5PX UPS Rack/Tower (1000–3000 VA)	38

Single-phase (Online)

Eaton EX UPS (700–3000 VA).....	40
Eaton 9130 UPS Rack (700–3000 VA)	43
Eaton 9130 UPS Tower (700–3000 VA)	46
Eaton 9PX SP UPS Rack/Tower (5-10 kVA)	48
Eaton 9PX UPS Rack/Tower (5–6 kVA).....	50
Eaton 9PX UPS Rack/Tower (8–11kVA).....	52
Eaton 9155 UPS (8–15 kVA)	54
Eaton 9170+ UPS Rack/Tower (3–18 kVA).....	57

Series FERRO

Eaton FERRUPS FE UPS 60 Hz (500–3100 VA)	62
Eaton FERRUPS UPS Rack Series (1.4 kVA–7 kVA)	64
Eaton FERRUPS UPS External Options & Accessories	65

(table of contents continued on next page)

REFERENCE GUIDE AND PRICEBOOK

Table of Contents *(continued)*

Ordering Information, Parts, Accessories and Current List Pricing *(continued)*

Three-phase (Double-conversion)

Eaton BladeUPS (12–60 kW)	67
Eaton 9355 UPS (10–15 kVA)	75
Eaton 9355 UPS (20–30 kVA)	78
Eaton Emergency Lighting UPS (10–30 kVA)	81
Eaton 93E UPS (20–60 kVA)	82
Eaton 9390IT UPS (40–160 kVA)	88

Additional Products

Ultra-isolator Noise Suppressors	91
Power Conditioners	92
Software Products	97
Connectivity Products	98
Surge Protection Products – PSPD Series	100
Surge Protection Products – PSPV Series	105
Surge Protection Devices	106

Services

Single-phase Service Plans Overview	108
Single-phase Service Plans	109
Three-phase Service Plans Overview	114
Three-phase Service Plans	114
Time and Material Service Rate Schedule	129

RMA Policy and Product Warranties

Sales Returned Merchandise Authorization (RMA) Policy	130
Product Warranty Statements	131

Notes: Due to continuing product improvement programs, all specifications and prices are subject to change without notice.

With the exception of batteries, any UPS parts or parts kit pricing that is included in this reference guide is based on a concurrent purchase of a new unit(s). Pricing for parts or parts kits purchases made separately from a concurrent unit purchase must be obtained from the Eaton Customer Support Center at 800.356.5737.

RECEPTACLE CHART

Input Plug and Output Receptacle Chart

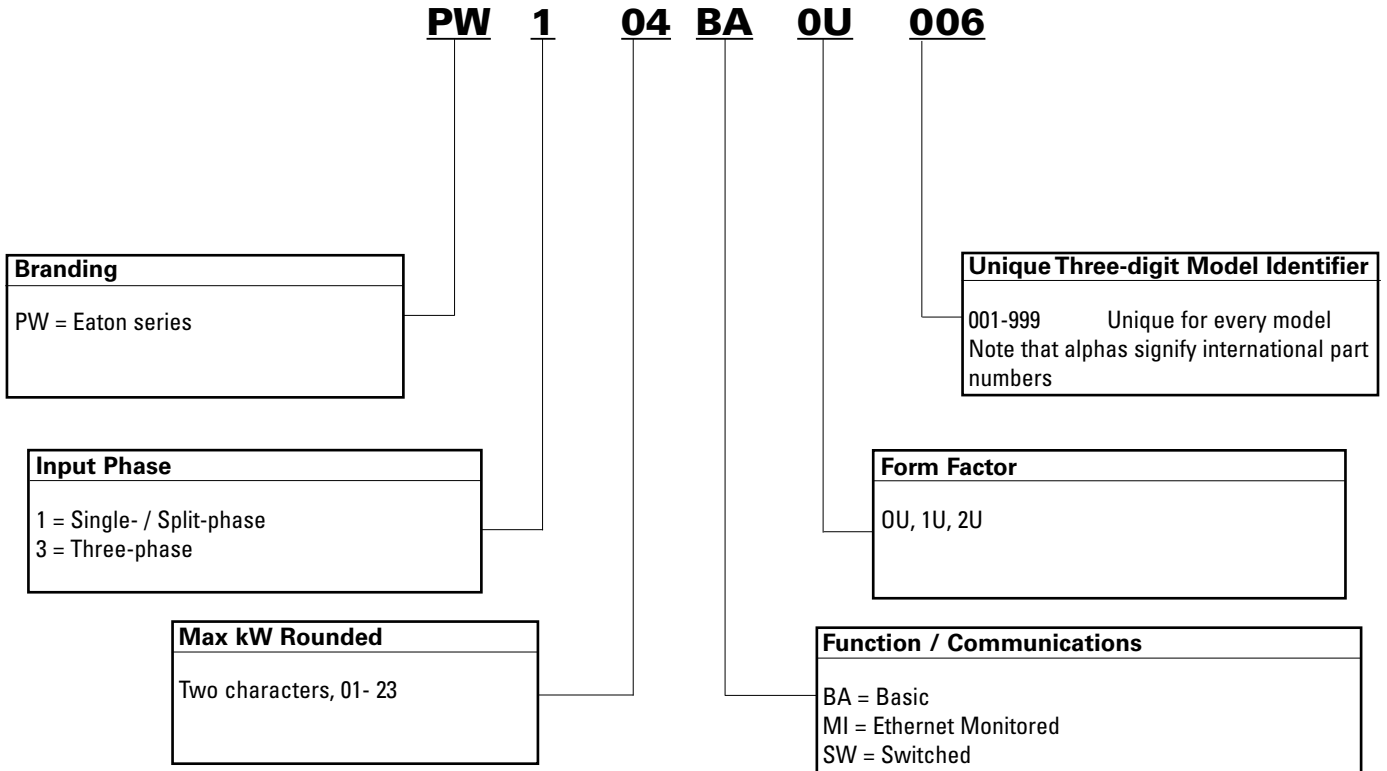
<p>5-15R</p> 	<p>5-15P</p> 	<p>5-20R</p> 	<p>5-20P</p> 
<p>L5-20R</p> 	<p>L5-20P</p> 	<p>L5-30R</p> 	<p>L5-30P</p> 
<p>6-15R</p> 	<p>6-15P</p> 	<p>L6-20R</p> 	<p>L6-20P</p> 
<p>L6-30R</p> 	<p>L6-30P</p> 	<p>L14-30R</p> 	<p>L14-30P</p> 
<p>IEC-320-C13 (female)</p> 	<p>IEC-320-C14 (male)</p> 	<p>IEC-320-C19 (female)</p> 	<p>IEC-320-C20 (male)</p> 
<p>IEC-309, 16A</p> 	<p>IEC-309, 32A</p> 		

R indicates receptacle
P indicates plug
L indicates locking plug or receptacle

EATON POWER DISTRIBUTION, MONITORING AND ENCLOSURES

Eaton ePDU Catalog Numbering System

Eaton Generation 1 (G1) model numbering: Eaton's smart part numbers help our customers understand our numbering system. Follow the example below to see what the letters and numbers mean within our ePDU catalog numbers.



Eaton Generation 2 (G2) model numbering:

ePBZ
BZ = Basic

eMA
MA = Managed

eAM
AM = Advanced Monitored

Eaton Generation 3 (G3) model numbering:

EBA
BA = Basic

EMI
MI= Metered Input

EATON POWER DISTRIBUTION, MONITORING AND ENCLOSURES

Basic ePDUs

Basic ePDUs are designed for reliable and cost-effective power distribution.

- Available in horizontal and vertical design
- Clearly labeled circuits simplify load balancing
- Cost effective solutions to meet Basic needs



New G3 models feature IEC grip outlets and color-coded outlet sections as well as high-operating temperatures (up to 140F).

Basic ePDUs

Catalog Number	Max. kW	Function	Cord Length (ft)	Input Plug	Output Receptacles	Dimensions (H x W x D, inches)	List Price
Horizontal Mount Models							
ePBZ78	2.88	BA	15	L5-30P	(20) 5-20R	1.7 x 17.0 x 3.5	\$330
ePBZ79	4.99	BA	15	L6-30P	(16) C13, (4) C19	1.7 x 17.0 x 5.1	\$330
ePBZ82	1.92	BA	15	L5-20P/5-20P*	(12) 5-20R	1.7 x 17.3 x 2.3	\$189
ePBZ83	1.44	BA	15	5-15P	(12) 5-15R	1.7 x 17.3 x 2.3	\$126
ePBZ84	2.88	BA	10	L5-30P	(10) 5-20R	1.7 x 17.0 x 3.5	\$288
ePBZ85	1.92	BA	10	5-20P	(12) 5-20R	1.7 x 17.3 x 2.3	\$152
ePBZ86	1.44	BA	10	5-15P	(12) 5-15R	1.7 x 17.3 x 2.3	\$126
ePBZ88	3.33	BA	6	C20	(10) C13, (2) C19	1.7 x 19.0 x 2.4	\$165
ePBZ91	4.99	BA	10	L6-30P	(10) C13	1.7 x 17.0 x 3.5	\$266
ePBZ94	4.99	BA	6	L6-30P	(6) C19	1.7 x 19.0 x 2.4	\$292
ePBZ95	3.33	BA	6	L6-20P	(12) C13, (1) C19	1.7 x 19.0 x 2.4	\$165
ePBZ99	1.92	BA	6	L5-20P	(12) 5-20R	1.7 x 19.0 x 2.4	\$152
EFLX13000R-PDU1UIEC	3.33	BA	3	C20	(12) C13, (1) C19	1.7 x 17.3 x 2.4	\$200
EFLX1500R-PDU1U	1.44	BA	3	5-15P	(12) 5-15R	1.7 x 17.3 x 2.4	\$120
EFLX12000R-PDU1U	1.92	BA	3	5-20P	(12) 5-20R	1.7 x 17.3 x 2.4	\$133
EFLX12000R-PDU1UL	1.92	BA	3	5-20P	(5) L5-20R	1.7 x 17.3 x 2.4	\$173
PW101BA1U140	1.44	BA	9	5-15P	(12) 5-15R	1.7 x 19.0 x 7.0	\$322
PW102BA1U158	1.92	BA	9	5-20P	(12) 5-20R	1.7 x 19.0 x 7.0	\$326
PW102BA1U159	1.92	BA	9	L5-20P	(12) 5-20R	1.7 x 19.0 x 7.0	\$339
PW103BA1U190	2.88	BA	9	L5-30P	(12) 5-20R	1.7 x 19.0 x 7.0	\$355
PW103BA1U191	3.33	BA	9	L6-20P	(12) C13	1.7 x 19.0 x 7.0	\$427
PW103BA1U405	3.33	BA	9	C20	(16) C13	1.7 x 19.0 x 7.0	\$307
PW103BA1U406	4.99	BA	9	L6-30P	(16) C13	1.7 x 19.0 x 7.0	\$532
PW105BA1U163	4.99	BA	9	L6-30P	(12) C13	1.7 x 19.0 x 7.0	\$493
PW105BA1U192	4.99	BA	9	L6-30 P	(8) C13, (4) C19	1.7 x 19.0 x 7.0	\$527
PW105BA1U404	4.99	BA	9	L14-30P	(12) 5-15R	1.7 x 19.0 x 7.0	\$597
PW105BA2U420	4.99	BA	9	L6-30P	(4) L6-20R	3.4 x 19.0 x 6.0	\$737
PW105BA2U422	4.99	BA	9	L14-30P	(4) L6-20R	3.4 x 19.0 x 6.0	\$826
PW314BA1U193	14.40	BA	9	CS8365	(6) C19	1.7 x 17.0 x 7.0	\$928
Vertical Mount Models							
ePBZ71	1.92	BA	15	5-20P/L5-20P*	(30) 5-20R	72.0 x 1.5 x 1.5	\$355
EBA300-06	14.4	BA	6	CS8365	(24) C13, (4) C19, (2) L6-30P	66.5 x 2.05 x 2.1	\$1,514
EBA301-10	5.76	BA	10	L15-20P	(30) C13, (6) C19	66.5 x 2.05 x 2.1	\$704
EBA302-10	5.76	BA	10	L21-20P	(30) C13, (6) C19	66.5 x 2.05 x 2.1	\$649
EBA303-10	8.64	BA	10	L15-30P	(30) C13, (6) C19	66.5 x 2.05 x 2.1	\$1,028
EBA304-10	8.64	BA	10	L21-30P	(30) C13, (6) C19	66.5 x 2.05 x 2.1	\$1,028
EBA305-06	12.48	BA	6	CS8365	(30) C13, (6) C19	66.5 x 2.05 x 2.1	\$1,115
EBA306-06	14.4	BA	6	CS8365	(21) C13, (12) C19	66.5 x 2.05 x 2.1	\$1,514
EBA307-06	17.3	BA	6	IEC60309 460P9	(21) C13, (12) C19	66.5 x 2.05 x 2.1	\$1,601
EBA308-10	5.76	BA	10	L21-20P	(21) 5-20R, (6) L6-20R	66.5 x 2.05 x 2.1	\$547
EBA309-10	5.76	BA	10	L21-20P	(39) 5-20R	66.5 x 2.05 x 2.1	\$547
EBA310-10	8.64	BA	10	L21-30P	(30) C13, (6) C19, (1) 5-20R	66.5 x 2.05 x 2.1	\$812
EBA311-10	5.76	BA	10	L15-20P	(42) C13	69.5 x 2.05 x 2.1	\$704
EBA312-10	5.76	BA	10	L21-20P	(42) C13	69.5 x 2.05 x 2.1	\$704
EBA313-10	8.64	BA	10	L15-30P	(42) C13	69.5 x 2.05 x 2.1	\$974
EBA314-10	8.64	BA	10	L21-30P	(42) C13	69.5 x 2.05 x 2.1	\$974
EBA315-10	12.48	BA	10	CS8365	(42) C13	69.5 x 2.05 x 2.1	\$1,298
ePBZ72	1.92	BA	15	5-20P/L5-20P*	(18) 5-20R	48.0 x 1.5 x 1.5	\$266
ePBZ73	1.44	BA	15	5-15P	(18) 5-15R	48.0 x 1.5 x 1.5	\$190
ePBZ74	1.92	BA	15	5-20P/L5-20P*	(14) 5-20R	24.0 x 1.5 x 1.5	\$215
ePBZ75	1.44	BA	15	5-15P	(14) 5-15R	24.0 x 1.5 x 1.5	\$152
ePBZ77	1.92	BA	15	L5-20P/5-20P	(24) 5-20R	60.0 x 1.5 x 1.5	\$279
ePBZ80	4.99	BA	10	L6-30P	(30) C13, (6) C19	52.9 x 1.9 x 2.1	\$381

EATON POWER DISTRIBUTION, MONITORING AND ENCLOSURES

Basic ePDUs (continued)

Basic ePDUs (continued)

Catalog Number	Max. kW	Function	Cord Length (ft)	Input Plug	Output Receptacles	Dimensions (H x W x D, inches)	List Price
Basic ePDUs (continued)							
Vertical Mount Models (continued)							
ePBZ89	1.44	BA	6	C14	(16) C13	28.0 x 2.2 x 1.9	\$126
ePBZ90	2.88	BA	15	L5-30P	(24) 5-20R	40.0 x 1.9 x 2.1	\$343
ePBZ92	4.99	BA	6	L6-30P	(20) C13, (4) C19	42.0 x 2.2 x 1.9	\$355
ePBZ93	3.33	BA	6	L6-20P	(20) C13, (4) C19	42.0 x 2.2 x 1.9	\$292
ePBZ96	1.92	BA	6	L5-20P	(24) 5-20R	60.0 x 1.5 x 1.5	\$254
ePBZ97	1.92	BA	6	5-20P	(24) 5-20R	60.0 x 1.5 x 1.5	\$190
ePBZ98	1.44	BA	6	5-15P	(18) 5-15R	48.0 x 1.5 x 1.5	\$126
PW103BA0U237	3.33	BA	9	L6-20P	(24) C13, (4) C19	66.0 x 1.9 x 2.0	\$667
PW103BA0U257	2.88	BA	9	L5-30P	(24) 5-20R	66.0 x 1.9 x 2.0	\$603
PW105BA0U239	4.99	BA	9	L6-30P	(24) C13, (4) C19	66.0 x 1.9 x 2.0	\$682
PW105BA0U412	4.99	BA	6	L14-30P	(12) 5-15R	10.0 x 7.8 x 3.0	\$444
PW105BA0U421	4.99	BA	9	L14-30P	(24) 5-20R	66.0 x 1.9 x 2.0	\$762
PW309BA0U409	8.65	BA	9	L21-30P	(24) 5-20R	66.0 x 1.9 x 2.0	\$1,119

* These units ship with an adapter allowing for 5-20P input plug.

SERVICES

For detailed information on service plans, please refer to the Single-phase Service section on page 108.

EATON POWER DISTRIBUTION, MONITORING AND ENCLOSURES

Metered Input ePDUs

Metered Input models provide input phase and branch circuit monitoring. These ePDUs feature an LED or pixel LCD display that shows current draw for branch circuit loading and phase balancing. All models offer remote monitoring over a network connection.

- Clearly labeled circuits simplify load balancing
- Local current meter display
- Remote monitoring with network connection



Metered Input ePDUs

Catalog Number	Max. kW	Function	Cord Length (ft)	Input Plug	Output Receptacles	Dimensions (H x W x D, inches)	List Price
Horizontal Mount Models							
PW101MI1U221	1.44	MI	9	5-15P	(12) 5-15R	1.7 x 17.0 x 7.0	\$553
PW101MI1U403	1.44	MI	9	5-15P	(12) 5-20R	1.7 x 17.0 x 7.0	\$611
PW102MI1U160	1.92	MI	9	L5-20P	(12) 5-20R	1.7 x 17.0 x 7.0	\$628
PW103MI1U161	2.88	MI	9	L5-30P	(12) 5-20 R	1.7 x 17.0 x 7.0	\$708
PW103MI1U162	3.33	MI	9	L6-20P	(12) C13	1.7 x 17.0 x 7.0	\$657
PW105MI1U164	4.99	MI	9	L6-30P	(12) C13	1.7 x 17.0 x 7.0	\$868
PW105MI1U165	4.99	MI	9	L6-30P	(6) C13, (4) C19	1.7 x 17.0 x 7.0	\$801
PW105MI2U402	4.99	MI	9	L6-30P	(20) C13	3.4 x 19.0 x 7.0	\$934
PW317MI2U141	17.29	MI	9	IEC30960 460P9W	(12) C19	3.4 x 19.0 x 9.5	\$1,803

Vertical Models (ePDU G2)

EMI100-10	1.44	MI	10	5-15P	(24) 5-15R	66.5 x 2.05 x 2.1	\$714
EMI101-10	1.92	MI	10	5-20P/L5-20P*	(24) 5-20R	66.5 x 2.05 x 2.1	\$764
EMI102-10	2.88	MI	10	L5-30P	(30) 5-30R	66.5 x 2.05 x 2.1	\$848
EMI103-10	3.84	MI	10	C20 (L6-20 cord included)	(18) C13, (2) C19	35.5 x 2.05 x 2.1	\$782
EMI104-10	5.76	MI	10	L6-30P	(36) C13, (6) C19	66.5 x 2.05 x 2.1	\$1,017
EMI300-06	14.4	MI	6	CS8365	(24) C13, (4) C19, (2) L6-30R	66.5 x 2.05 x 2.1	\$1,839
EMI301-10	5.76	MI	10	L15-20P	(30) C13, (6) C19	66.5 x 2.05 x 2.1	\$1,082
EMI302-10	5.76	MI	10	L21-20P	(30) C13, (6) C19	66.5 x 2.05 x 2.1	\$1,082
EMI303-10	8.64	MI	10	L15-30P	(30) C13, (6) C19	66.5 x 2.05 x 2.1	\$1,557
EMI304-10	8.64	MI	10	L21-30P	(30) C13, (6) C19	66.5 x 2.05 x 2.1	\$1,557
EMI305-06	12.48	MI	6	CS8365	(30) C13, (6) C19	66.5 x 2.05 x 2.1	\$1,716
EMI308-10	5.76	MI	10	L21-20P	(21) 5-20R, (6) L6-20R	66.5 x 2.05 x 2.1	\$887
EMI309-10	5.76	MI	10	L21-20P	(39) 5-20R	66.5 x 2.05 x 2.1	\$887
EMI310-10	8.64	MI	10	L21-30P	(30) C13, (6) C19, (1) 5-20R	66.5 x 2.05 x 2.1	\$1,582
EMI311-10	5.76	MI	10	L15-20P	(42) C13	69.5 x 2.05 x 2.1	\$1,082
EMI312-10	5.76	MI	10	L21-20P	(42) C13	69.5 x 2.05 x 2.1	\$1,082
EMI313-10	8.64	MI	10	L15-30P	(42) C13	69.5 x 2.05 x 2.1	\$1,557
EMI314-10	8.64	MI	10	L21-30P	(42) C13	69.5 x 2.05 x 2.1	\$1,557
EMI315-10	12.48	MI	10	CS8365	(42) C13	69.5 x 2.05 x 2.1	\$1,877
EMI316-06	14.4	MI	6	CS8365	(9) C13, (12) C19	66.5 x 2.05 x 2.1	\$1,791
EMI317-06	17.3	MI	6	IEC60309 460P9	(9) C13, (12) C19	66.5 x 2.05 x 2.1	\$2,055
EMI318-10	5.76	MI	10	L21-20P	(30) C13, (6) C19, (3) 5-20R	66.5 x 2.05 x 2.1	\$1,082

* These units ship with an adapter allowing for 5-20P input plug.

Environmental Probes

Catalog Number	Description	Price
EMP001	Environmental Monitoring Probes for AM and MA	\$133

SERVICES

For detailed information on service plans, please refer to the Single-phase Service section on page 108.

EATON POWER DISTRIBUTION, MONITORING AND ENCLOSURES

Switched ePDUs

Outlet switching is included on all models and some models offer branch current monitoring. Outlet switching is ideal for remote site management to reboot outlets or turn outlets off when not being used. All vertical monitors accommodate optional environmental probes.

- Individually control outlets via Serial or Ethernet connection
- Voltage Monitoring and Current Monitoring
- Local current meter display shows current draw



Switched ePDUs

Catalog Number	Max. kW	Function	Cord Length (ft)	Input Plug	Output Receptacles	Dimensions (H x W x D, inches)	List Price
Horizontal Mount Models							
PW103SW2U413	3.33	SW	9	C20	(8) C13	1.7 x 19.0 x 9.5	\$1,002
PW103SW2U414	3.33	SW	9	C20	(8) 5-15R	1.7 x 19.0 x 9.5	\$1,002
PW105SW2U223	4.99	SW	9	L6-30P	(20) C13	1.7 x 19.0 x 9.5	\$1,869
PW105SW2U415	4.99	SW	9	L6-30P	(20) C13, (4) C19	1.7 x 19.0 x 9.5	\$1,869
Vertical Mount Models							
PW101SW0U224	1.44	SW	9	5-15P	(16) 5-15R	68.0 x 1.9 x 2.0	\$1,564
PW102SW0U150	1.92	SW	9	L5-20P	(8) 5-15R	42.0 x 1.9 x 2.0	\$1,208
PW102SW0U151	1.92	SW	9	L5-20P	(24) 5-15R	66.0 x 1.9 x 2.0	\$1,780
PW103SW0U152	2.88	SW	9	L5-30P	(16) 5-15R	66.0 x 1.9 x 2.0	\$1,780
PW103SW0U153	3.33	SW	9	L6-20P	(24) C13	66.0 x 1.9 x 2.0	\$1,780
PW105SW0U154	4.99	SW	9	L6-30P	(16) C13	66.0 x 1.9 x 2.0	\$1,653
PW306SW0U155	5.76	SW	9	L21-20P	(24) 5-15R	66.0 x 1.9 x 2.0	\$1,780
PW309SW0U178	8.65	SW	9	L21-30P	(24) C14	66.0 x 1.9 x 2.0	\$2,034
PW317SW0U400	17.29	SW	9	IEC 60309P 3P + PE	(18) C13, (6) C19	66.0 x 2.0 x 4.0	\$2,938
PW317SW0U401	17.29	SW	9	IEC60309 460P9	(12) C13, (12) C19	66.0 x 2.0 x 4.0	\$2,925

Environmental Probes

Catalog Number	Description	Price
SENSOR-T1-10	Sensor with 1 Temperature Probe	\$101
SENSOR-T1H1-10	Sensor with 1 Temperature Probe 1 Humidity Probe	\$127
SENSOR-T2-10	Sensor with 2 Temperature Probes	\$216
SENSOR-T2H1-10	Sensor with 2 Temperature Probes 1 Humidity Probe	\$229

SERVICES

For detailed information on service plans, please refer to the Single-phase Service section on page 108.

EATON POWER DISTRIBUTION, MONITORING AND ENCLOSURES

Advanced Monitored and Managed ePDUs

Managed ePDUs include outlet switching and metered outlets. Switching allows you to power cycle (reboot) locked servers or turn off unused outlets. Outlet level monitoring of voltage, current, power and energy (KWH) provides necessary measurements to calculate Level 3 PUE and to run capacity /usage analytics.

- Monitor power consumption in kilowatt hours at the individual outlet level requirement
- Readings available via Ethernet connection over a network (utilizing Eaton's Intelligent Power Manager)
- Power consumption readings allow for Power Usage Effectiveness calculations



Advanced Monitored and Managed ePDUs

Catalog Number	Max. kW	Function	Cord Length (ft)	Input Plug	Output Receptacles	Dimensions (H x W x D, inches)	List Price
Vertical Mount Models							
eMA006	5.8	MA	10	L21-20P	(21) C13, (3) C19	60.0 x 2.2 x 2.6	\$1,654
eMA007	12.6	MA	10	CS8365C	(21) C13, (3) C19	68.0 x 2.2 x 2.6	\$1,998
eMA009	17.3	MA	10	IEC309 48A	(12) C13, (12) C19	72.4 x 2.2 x 2.6	\$3,142
eMA010	5.8	MA	10	L6-30P	(20) C13, (4) C19	68.0 x 2.2 x 2.6	\$1,463
eMA011	8.6	MA	10	L21-30P	(21) C13, (3) C19	68.0 x 2.2 x 2.6	\$1,998
eMA012	3.3	MA	10	C20 (L6-20 cord included)	(20) C13, (4) C19	60.0 x 2.2 x 2.6	\$1,298
eMA013	11.5	MA	10	IEC309 16A	(12) C13, (12) C19	68.0 x 2.2 x 2.6	\$2,188
eMA014	17.3	MA	10	IEC309 32A	(12) C13, (12) C19	72.4 x 2.2 x 2.6	\$2,748

Advanced Monitored—Outlet level monitoring of voltage, current, power and energy (KWH). Provides necessary measurements to calculate Level 3 PUE and to run capacity /usage analytics.

Advanced local display and color coded silk screen.

Vertical Mount Models

eAM001	5.8	AM	10	L6-30P	(20) C13, (4) C19	68.0 x 2.2 x 2.6	\$1,311
eAM002	5.8	AM	10	L21-20P	(21) C13, (3) C19	60.0 x 2.2 x 2.6	\$1,489
eAM003	12.6	AM	10	CS8365	(21) C13, (3) C19	68.0 x 2.2 x 2.6	\$1,807
eAM004	8.6	AM	10	L21-30P	(21) C13, (3) C19	68.0 x 2.2 x 2.6	\$1,807
eAM005	17.3	AM	10	IEC60309 460P9	(12) C13, (12) C19	72.4 x 2.2 x 2.6	\$2,850
eAM008	3.3	AM	10	C20 (L6-20 cord included)	(20) C13, (4) C19	60.0 x 2.2 x 2.6	\$1,171

Environmental Probes

Catalog Number	Description	Price
EMP001	Environmental Monitoring Probes for AM and MA units	\$133

Accessories

Catalog Number	Description	Price
KBLT01	Plug Restraint Cable Tray for AM and MA units	\$106

SERVICES

For detailed information on service plans, please refer to the Single-phase Service section on page 108.

EATON POWER DISTRIBUTION, MONITORING AND ENCLOSURES

Eaton Automatic Transfer Switches

eATS (Automatic Transfer Switch) and STS (Source Transfer Switch) ePDUs—Designed for switching non-phase synchronized AC power sources, the automatic transfer switch ePDUs' intelligent circuitry monitors both inputs, providing a fast switch transfer from primary to secondary source power critical equipment without interruption. These ePDUs assure the highest level of redundancy to mission-critical applications.

- 1U configurations available
- Custom designs upon request

eATS (Automatic Transfer Switch) and STS (Source Transfer Switch) ePDUs

Catalog Number	Max. kW	Function	Cord Length (ft)	Input Plug	Output Receptacles	Dimensions (H x W x D, inches)	List Price
Horizontal Mount Models							
PULSTS1400R-1U	1.44	AT	6	(2) 5-15P	(6) 5-15R	1.7 x 19.0 x 9.8	\$382
PULSTS16AMPR-1U	3.33	AT	-	(2) C20	(6) C13, (1) C19	1.7 x 16.9 x 9.8	\$395
PWATSL520004	1.92	AT	9	(2) L5-20P	(8) 5-20R	1.7 x 19.0 x 7.0	\$934
PWATSL530005	2.88	AT	9	(2) L5-30P	(8) 5-20R	1.7 x 19.0 x 7.0	\$1,002
PWATSL530007	2.88	AT	9	(2) L5-30P	(1) L5-30R	1.7 x 19.0 x 7.0	\$1,002
PWATSL630006	4.99	AT	9	(2) L6-30P	(12) C13	1.7 x 19.0 x 7.0	\$1,068
PWATSL630008	4.99	AT	9	(2) L6-30P	(1) L6-30R	1.7 x 19.0 x 7.0	\$1,002
PWATSS515002	1.44	AT	9	(2) 5-15P	(8) 5-15R	1.7 x 19.0 x 7.0	\$801
PWATSS520003	1.92	AT	9	(2) 5-20P	(8) 5-20 R	1.7 x 19.0 x 7.0	\$868
PWATSSC20001	3.33	AT	-	(2) C20	(8) C13, (1) C19	1.7 x 19.0 x 7.0	\$801

EATON POWER DISTRIBUTION, MONITORING AND ENCLOSURES

Eaton HotSwap Maintenance Bypass (MBP)

HotSwap MBP—Facilitating hot-swappable UPS replacement from the rack—the HotSwap MBP is also ideal when exchanging a faulty unit or upgrading to a new UPS. The HotSwap MBP offers receptacles in 5-15R and 5-20R.



- Gain additional receptacles on UPSs
- Provide service continuity during battery replacement, UPS maintenance or upgrade
- Ease installation with flexible mounting options (rear panel, the top, on the left or on the right of the UPS (depending on the UPS model)
- Accommodate most space constraints with minimal depth 1U form factor

HOTSWAP MBP

Catalog Number	Max. kW	Function	Cord Length	Input Connection	Output Receptacles (Quantity)	Dimensions (H x W x D, inches)	List Price
EHBPL1500R-PDU1U	1.44	BA	3'	5-15P	(6) 5-15R	2.1 x 3.8 x 17.3	\$308
EHBPL2000R-PDU1U	1.92	BA	3'	5-20P	(6) 5-15R	2.1 x 3.8 x 17.3	\$368
EHBPL3000R-PDU1U	2.88	BA	3'	L5-30P	(5) 5-20R	2.1 x 3.8 x 17.3	\$535

HotSwap MBP

UPS model (North American only)

15	<u>Eaton Evolution Rack UPS, 650–1550 VA</u>
	<u>Eaton 5PX Rack/Tower UPS, 1000-1500 VA</u>
	<u>Eaton 9130 Rack UPS, 700–1500 VA</u>
	<u>Eaton EX Rack UPS, 1000–1500 VA</u>
20	<u>Eaton Evolution Rack/Tower UPS, 2000 VA</u>
	<u>Eaton 5PX Rack/Tower UPS, 2200 VA</u>
	<u>Eaton 9130 Rack UPS, 2000 VA</u>
30	<u>Eaton EX Rack/Tower UPS, 2200 VA</u>
	<u>Eaton 5PX Rack/Tower UPS, 3000 VA</u>
	<u>Eaton 9130 Rack UPS, 2500–3000 VA</u>
	<u>Eaton EX Rack/Tower UPS, 3000 VA</u>



EATON POWER DISTRIBUTION, MONITORING AND ENCLOSURES

ePDU Cables

- **Adapters** to enable equipment with disparate input/output receptacles to work together
- **Jumpers** to connect two pieces of equipment without cluttering up the cable arrangement
- **Splitters** to add extra equipment to a UPS or PDU without using up more outlets

All Eaton power cables are tested and certified for use with Eaton products, such as ePDUs, rack power modules (RPMs) and UPSs—proven to deliver the reliability and service life needed for the most rigorous data center applications.

- Choose from adapters, jumpers and splitters for any rack power distribution application
- Select from a broad range of input/output connectors
- Streamline cabling in Enclosures by deploying exactly the cable length needed
- Count on assured performance with pre-tested products that meet UL and Eaton standards

Adapter Cables

Catalog Number	Description	Leads	Input Plug	Output	Length (ft)	Price
010-0020	10 ft IEC320-C14 to IEC320-C13 Jumper Cable	1	C14	C13	10	\$22
010-0021	7 ft IEC320-C14 to IEC320-C13 Jumper Cable	1	C14	C13	7	\$18
010-0024	15 ft IEC320-C14 to IEC320-C13 Jumper Cable	1	C14	C13	15	\$26
010-0025	8 ft IEC320-C14 to IEC320-C13 Jumper Cable	1	C14	C13	8	\$20
010-0026	8 ft C19 TO Bare Wire Cable	1	Bare Wire	C19	8	\$21
010-0027	6 ft IEC320-C14 to IEC320-C13 Jumper Cable	1	C14	C13	6	\$17
010-0028	4 ft IEC320-C14 to IEC320-C13 Jumper Cable	1	C14	C13	4	\$14
010-0029	2 ft IEC320-C14 to IEC320-C13 Jumper Cable	1	C14	C13	2	\$12
010-0032	1 ft IEC320-C14 to 5-15R Adapter Cable	1	C19	C14	1	\$20
010-0034	8 ft IEC320-C19 to Bare Wire Adapter Cable	1	C19	Bare	8	\$41
010-9332	8 ft IEC320-C13 to 5-15P Jumper Cable	1	5-15P	C13	8	\$21
010-9334	8 ft IEC320-C19 to 5-15P Adapter Cable	1	5-15P	C19	8	\$27
010-9335	8 ft IEC320-C19 to 5-20P Adapter Cable	1	5-20P	C19	8	\$35
010-9336	8 ft IEC320-C19 to 6-15P Adapter Cable	1	6-15P	C19	8	\$41
010-9337	8 ft IEC320-C19 to 6-20P Adapter Cable	1	6-20P	C19	8	\$41
010-9338	8 ft IEC320-C19 to L5-15P Adapter Cable	1	L5-15 P	C19	8	\$48
010-9339	8 ft IEC320-C19 to L5-20P Adapter Cable	1	L5-20 P	C19	8	\$35
010-9341	8 ft IEC320-C19 to L6-20P Adapter Cable	1	L6-20 P	C19	8	\$41
010-9342	8 ft IEC320-C19 to IEC320-C20 Adapter Cable	1	C20	C19	8	\$41
010-9343	8 ft SCHUCKO to IEC320-C19 Adapter Cable	1	C19	SCHUCKO	8	\$39
010-9345	8 ft AS/NZS 3112 to IEC320-C19 Adapter Cable	1	C19	AS/NZS 3112	8	\$45
010-9351	8 ft British to IEC320-C19 Adapter Cable	1	C19	British Connector	8	\$35
010-9365	8 ft IEC320-C14 to IEC320-C19 Jumper Cable	1	C19	C14	8	\$43
CBL146	30 ft Power Cord Assembly 10/3 SOOW 2" Pigtailed	2	Pigtailed	Pigtailed	30	\$177
CBL147	Cable Assembly High Volt Cover, 15 ft 10/3 SOOW, L6-30P	1	L6-30P		15	\$188
SUB-PWRCORD-908	8 ft L6-30R to L6-30P Adapter Cable	1	L6-30P	L6-30R	8	\$72

Splitter Cables

Catalog Number	Description	Leads	Input Plug	Output	Length (ft)	Price
CBL139	Splitter Cable L14-30P to (2) L6-30R (4ft/2ft)	2	L14-30P	L6-30R	4	\$201
CBL143	Splitter Cable L14-30P to (2) L5-30R (4ft/2ft)	2	L14-30P	L5-30R	4	\$201
CBL148	Splitter Cable L14-20P to (2) L5-20R (4ft/2ft)	2	L14-20P	L5-20R	4	\$215
CBL149	Splitter Cable L21-30P to (3) L5-30R (4ft/2ft/1ft)	3	L21-30P	L5-30R	4	\$200
CBL150	Splitter Cable L21-20P to (3) L5-20R (4ft/2ft/1ft)	3	L21-20P	L5-20R	4	\$292

EATON POWER DISTRIBUTION, MONITORING AND ENCLOSURES

ePDU Cables (*continued*)

Accessories

Catalog Number	Description	Price
010-0322	C19 Receptacle Connector	\$18
035-0113	C13 Outlet Cap	\$4
001-0819-1	Mounting Bracket Right	\$25
001-0819-2	Mounting Bracket Left	\$25
001-1393-1	Mounting Bracket Adjustable Black - RoHS Compliant	\$8
001-1928-1	Side Mounting Bracket	\$34
001-1995-1	Bracket	\$40
SUB-HRDWARE-017	VPC Bracket - Standard, Offset	\$16
SUB-HRDWARE-032	Mounting Bracket	\$7
SUB-HRDWARE-038	Tool-less Mounting Kit	\$4

ECLIPSE SURGE SUPPRESSORS

Pulsar series

The Eclipse is Ideal for all uses—computer, peripheral, stereo and video—total protection against power surges, spikes, nearby lightning strikes and line noise.

- Up to 1020 joule rating
- Master on/off switch
- Instantaneous response time
- Visual alarm(s)
- Audible alarm (except personal)
- Circuit breaker and thermal fuse protection
- 360° rotating plug (except personal)



Eclipse Surge Suppressors

Catalog Number	Style Number	Description	Dimensions (H x W x D, inches)	Weight (lb)	List Price*
ECLL1800-PER	83500	ECLIPSE Personal 120V 1800W (6) 5-15R	2.00 x 1.25 x 11.00	1.0	\$240
ECLL1800-PRO	83501	ECLIPSE Pro 120V 1800W (8) 5-15R	3.88 x 1.31 x 9.75	1.5	\$449
ECLL1800-PROTEL	83502	ECLIPSE ProTel 1800W (8) 5-15R	3.88 x 1.31 x 9.75	1.5	\$489

* List price reflects minimum purchase quantity of 20 pieces.

EATON POWER DISTRIBUTION, MONITORING AND ENCLOSURES

S-Series Rack

Designed for small and medium-sized businesses, the Eaton S-Series Rack manage and support your critical IT equipment. These standard configured racks are scalable and integrate an array of options including cable management, power distribution and backup power to provide a full network solution.

- Fully-welded steel frame that can store up to 2,200 pounds of computer and networking equipment
- Enhanced frame ensures zero leakage around the front perimeter and also features oval grommets in front frame verticals for cable pass-thru between racks
- Split rear doors provide easier access and maneuverability in data center environments
- Top panel with two six-inch wide brushed openings for cable egress
- Guaranteed compatibility with EIA-310 standard size equipment
- A wide range of cable management options enhance cable routing horizontally and vertically
- Split rear doors provide easy access and maneuverability



S-SERIES RACK

Part Number	Description	Dimensions (H x W x D, inches)			List	
		Shipping	Installed	Weight (lb)	Price	
ETN-ENC422442SE	Eaton Rack 42Ux24x40 4 post (no sides/doors/divide/castors)	87 x 38 x 60	81 x 24 x 41	171	\$1,375	
ETN-ENC422442S	Eaton Rack 42Ux24x42 w/doors/top/divider/castors	87 x 38 x 60	81 x 24 x 42	309	\$2,356	
ETN-ENC422448S	Eaton Rack 42Ux24x48 w/doors/top/divider/castors	87 x 38 x 60	81 x 24 x 48	321	\$2,945	
ETN-ENC423042S	Eaton Rack 42Ux30x42 w/doors/top/divider/castors	87 x 38 x 60	81 x 30 x 42	351	\$3,043	
ETN-ENC423048S	Eaton Rack 42Ux30x48 w/doors/top/divider/castors	87 x 38 x 60	81 x 30 x 48	364	\$3,485	
ETN-ENC482442S	Eaton Rack 48Ux24x42 w/doors/top/divider/castors	97 x 38 x 60	91 x 24 x 42	336	\$2,749	
ETN-ENC483042S	Eaton Rack 48Ux30x42 w/doors/top/divider/castors	97 x 38 x 60	91 x 30 x 42	380	\$3,239	
ETN-ENC482448S	Eaton Rack 48Ux24x48 w/doors/top/divider/castors	97 x 38 x 60	91 x 24 x 48	350	\$3,288	
ETN-ENC483048S	Eaton Rack 48Ux30x48 w/doors/top/divider/castors	97 x 38 x 60	91 x 30 x 48	394	\$3,681	
ETN-ENC422442SB	Eaton Rack 42Ux24x42 w/doors/sides/top/leveler/castors	87 x 38 x 60	81 x 25.5 x 42	367	\$2,750	
ETN-ENC422442SC	Eaton Rack 42Ux24x 42 w/doors/sides/top (no castors)	87 x 38 x 60	81 x 24 x 42	327	\$2,601	
ETN-ENC423042SC	Eaton Rack 42Ux30x 42 w/doors/sides/top (no castors)	87 x 38 x 60	81 x 30 x 42	341	\$3,288	
ETN-ENC422442SD	Eaton Rack 42Ux24x 42 w/doors/top (no sides/divider/castors)	87 x 38 x 60	81 x 24 x 42	269	\$1,914	
ETN-ENC423042SD	Eaton Rack 42Ux30x 42 w/doors/top (no sides/divider/castors)	87 x 38 x 60	81 x 30 x 42	299	\$2,601	
ETN-ENC422442SL	Eaton Rack 42Ux24x 42 w/doors/sides/top/castors/combo lock	87 x 38 x 60	81 x 25.5 x 42	370	\$3,239	
ETN-ENZ422440S	Eaton Rack Seismic 42Ux24x42 w/drs/divider/lace (no castors) ¹	90 x 38 x 60	84 x 24 x 42	340	\$4,319	
ETN-ENZ422440SB	Eaton Rack Seismic 42Ux24x42 w/drs/sides/lace (no castors) ¹	90 x 38 x 60	84 x 24 x 42	398	\$4,712	
ETN-ENZ423040S	Eaton Rack Seismic 42Ux30x42 w/drs/divider/lace (no castors) ¹	90 x 38 x 60	84 x 30 x 42	381	\$4,515	
ETN-ENZ423040SB	Eaton Rack Seismic 42Ux30x42 w/drs/sides/lace (no castors) ¹	90 x 38 x 60	84 x 32.5 x 42	437	\$5,104	

Note: 1.) Seismic racks tested to NEBS Zone 4 via Telecordia GR-63-CORE specification with 1300 lbs added load weight, and 50 lbs top of cabinet cable weight

Each side panel will add approximately 3/4" to the width of the rack

Add 65 lbs to installed weights to get estimated shipping weights with pallet and packaging materials

S-SERIES CHIMNEY CABINETS AND OPTIONS

Part Number	Description	Dimensions (H x W x D, inches)			List	
		Shipping	Installed	Weight (lb)	Price	
ETN-ETC422442S	Eaton Chimney Rack 42Ux24x42 w/doors/top/divider/castors	87 x 38 x 60	81 x 30 x 42	322	\$2,552	
ETN-ETC422442SB	Eaton Chimney Rack 42Ux24x42 w/doors/top/sides/castors	87 x 38 x 60	81 x 25.5 x 42	320	\$2,994	
ETN-ETC422448S	Eaton Chimney Rack 42Ux24x48 w/doors/top/divider/castors	87 x 38 x 60	81 x 24 x 48	330	\$3,239	
ETN-ETC422448SB	Eaton Chimney Rack 42Ux24x48 w/doors/top/sides/castors	87 x 38 x 60	81 x 25.5 x 48	335	\$3,779	
ETN-ETC423042S	Eaton Chimney Rack 42Ux30x42 w/doors/top/divider/castors	87 x 38 x 60	81 x 30 x 42	325	\$3,239	
ETN-ETC423042SB	Eaton Chimney Rack 42Ux30x42 w/doors/top/sides/castors	87 x 38 x 60	81 x 31.5 x 42	330	\$3,779	
ETN-ETC423048S	Eaton Chimney Rack 42Ux30x48 w/doors/top/divider/castors	87 x 38 x 60	81 x 30 x 48	335	\$3,681	
ETN-ETC423048SB	Eaton Chimney Rack 42Ux30x48 w/doors/top/sides/castors	87 x 38 x 60	81 x 31.5 x 48	340	\$4,221	

Notes: Depth of enclosures includes front and rear doors

ETN-ENCXXXXXS Configurations Include: Perforated Hi Flow 75% Front Door, Top Panel for Telescopic Chimney, Solid Split Rear Door, 19" EIA Square Holed Rails, Divider Panel with cable pass thru, Casters, PDU Brackets

ETN-ENCXXXXXSB Configurations Include: Perforated Hi Flow 75% Front Door, Top Panel for Telescopic Chimney, Solid Split Rear Door, 19" EIA Square Holed Rails, (2) Solid Side Panels, Casters, PDU Brackets

EATON POWER DISTRIBUTION, MONITORING AND ENCLOSURES

S-Series Rack *(continued)*

S-SERIES CHIMNEYS, PICK ONE WITH REQUIRED HEIGHT FOR "ETN-ETC" CABINETS ABOVE

Part Number	Description	Dimensions (H x W x D, inches)			List Price
		Shipping	Installed	Weight (lb)	
ETN-EXTTC1219	Telescopic Chimney for rack to ceiling heights of 12 to 19 in	24 x 24 x 16	H x 23 x 19.5	30	\$315
ETN-EXTTC1728	Telescopic Chimney for rack to ceiling heights of 17 to 28 in	24 x 24 x 20	H x 23 x 19.5	39	\$373
ETN-EXTTC2645	Telescopic Chimney for rack to ceiling heights of 26 to 45 in	24 x 24 x 30	H x 23 x 19.5	56	\$432
ETN-EXTTC4376	Telescopic Chimney for rack to ceiling heights of 43 to 76 in	24 x 24 x 48	H x 23 x 19.5	87	\$491

S-SERIES RACK OPTIONS

Part Number	Description	Dimensions (H x W x D, inches)			List Price
		Shipping	Installed	Weight (lb)	
Rack Panels and Doors					
ETN-ACC4242DP	S-Series Divider Panel 42U x 42D w/Pass-Thru (Qty-1)	6 x 90 x 50	Side of rack	25	\$221
ETN-ACC4248DP	S-Series Divider Panel 42U x 48D w/Pass-Thru (Qty-1)	6 x 90 x 50	Side of rack	28	\$246
ETN-ACC4842DP	S-Series Divider Panel 48U x 42D w/Pass-Thru (Qty-1)	6 x 90 x 50	Side of rack	28	\$246
ETN-ACC4848DP	S-Series Divider Panel 48U x 48D w/Pass-Thru (Qty-1)	6 x 90 x 50	Side of rack	30	\$270
ETN-ACC4242SP	S-Series Side Panel 42U x 42D (Qty-1)	6 x 90 x 50	Add 3/4" width	45	\$442
ETN-ACC4248SP	S-Series Side Panel 42U x 48D (Qty-1)	6 x 90 x 50	Add 3/4" width	49	\$589
ETN-ACC4842SP	S-Series Side Panel 48U x 42D (Qty-1)	6 x 90 x 50	Add 3/4" width	50	\$491
ETN-ACC4848SP	S-Series Side Panel 48U x 48D (Qty-1)	6 x 90 x 50	Add 3/4" width	56	\$467
ETN-ACC2442TP	S-Series Top Panel 24W x 42D	5 x 32 x 51	No height added	21	\$255
ETN-ACC2448TP	S-Series Top Panel 24W x 48D	5 x 32 x 51	No height added	25	\$290
ETN-ACC3042TP	S-Series Top Panel 30W x 42D	5 x 32 x 51	No height added	23	\$271
ETN-ACC3048TP	S-Series Top Panel 30W x 48D	5 x 32 x 51	No height added	28	\$313
ETN-ACC4224FD	S-Series Front Door 42U x 24W	6 x 90 x 50	Add 1" depth	49	\$334
ETN-ACC4224RD	S-Series Rear Door Split 42U x 24W	6 x 90 x 50	Add 1" depth	54	\$605
ETN-ACC4230FD	S-Series Front Door 42U x 30W	6 x 90 x 50	Add 1" depth	55	\$357
ETN-ACC4230RD	S-Series Rear Door Split 42U x 30W	6 x 90 x 50	Add 1" depth	62	\$618
ETN-ACC4824FD	S-Series Front Door 48U x 24W	6 x 90 x 50	Add 1" depth	55	\$443
ETN-ACC4824RD	S-Series Rear Door Split 48U x 24W	6 x 90 x 50	Add 1" depth	62	\$801
ETN-ACC4830FD	S-Series Front Door 48U x 30W	6 x 90 x 50	Add 1" depth	60	\$473
ETN-ACC4830RD	S-Series Rear Door Split 48U x 30W	6 x 90 x 50	Add 1" depth	65	\$853
ETN-ACC4224RL	S-Series Rails 42U x 24W	8 x 88 x 5	Internal	22	\$395
ETN-ACC4230RL	S-Series Reducer Rails 42U x 30W	4 x 88 x 8	Internal	42	\$427
ETN-ACC4824RL	S-Series Rails 48U x 24W	8 x 88 x 5	Internal	26	\$357
ETN-ACC4830RL	S-Series Reducer Rails 48U x 30W	4 x 88 x 8	Internal	45	\$567
ETN-ACC42VBP	S-Series Vertical Blanking Panels 42U x 30W	5 x 9 x 49	Internal	9	\$199
ETN-ACC48VBP	S-Series Vertical Blanking Panels 48U x 30W	5 x 9 x 49	Internal	10	\$215
Rack and Raised Floor Air Management					
ETN-PBP1U10	Eaton Blanking Panel 19" Tool-less Plastic 1U (Qty-10)	5 x 5 x 20	1U x 19	4	\$50
ETN-PBP1U100	Eaton Blanking Panel 19" Tool-less Plastic 1U (Qty-100)	25 x 10 x 20	1U x 19	40	\$467
ETN-PBP2U10	Eaton Blanking Panel 19" Tool-less Plastic 2U (Qty-10)	5 x 9 x 20	2U x 19	7	\$59
ETN-PBP2U100	Eaton Blanking Panel 19" Tool-less Plastic 2U (Qty-100)	25 x 18 x 20	2U x 19	70	\$516
ETN-PBP8U10	Eaton Blanking Panel 19" Tool-less Plastic 8U (Qty-10)	20 x 11 x 15	8U x 19	15	\$172
ETN-PBP8U100	Eaton Blanking Panel 19" Tool-less Plastic 8U (Qty-100)	21 x 50 x 30	8U x 19	150	\$1,522
ETN-JFT12440	Top fan tray kit (4 fans) for S-Series 24" x 42", 120VAC	5 x 32 x 51	Top of rack	45	\$310
ETN-JFT12445	Top fan tray kit (4 fans) for S-Series 24" x 48", 120VAC	5 x 32 x 51	Top of rack	48	\$344
ETN-JFT13040	Top fan tray kit (4 fans) for S-Series 30" x 42", 120VAC	5 x 32 x 51	Top of rack	50	\$329
ETN-JFT13045	Top fan tray kit (4 fans) for S-Series 30" x 48", 120VAC	5 x 32 x 51	Top of rack	54	\$359
ETN-FLRGR118	Eaton Floor Grommet, 11"W x 8.25"D (Qty-1)	2 x 12 x 17	1 x 11 x 8.25	5	\$94
ETN-FLRGR11810	Eaton Floor Grommet, 11"W x 8.25"D (Qty-10)	20 x 12 x 17	1 x 11 x 8.25	50	\$884
ETN-FLRGR76	Eaton Floor Grommet, 7.5"W x 6.5"D (Qty-1)	2 x 8 x 11	1 x 7.5 x 6.5	4	\$84
ETN-FLRGR7610	Eaton Floor Grommet, 7.5"W x 6.5"D (Qty-10)	20 x 8 x 11	1 x 7.5 x 6.5	40	\$786
Network Switch Air Deflectors for Front to Rear Air Flow					
ETN-6509CVK42	Cisco 6509 Conversion Kit for S-Series Racks 42U x 30" W	6 x 90 x 50	Internal	90	\$938
ETN-6509CVK48	Cisco 6509 Conversion Kit for S-Series Racks 48U x 30" W	6 x 90 x 50	Internal	110	\$977
ETN-6513CVK42	Cisco 6513 Conversion Kit for S-Series Racks 42U x 30" W	6 x 90 x 50	Internal	90	\$938
ETN-6513CVK48	Cisco 6513 Conversion Kit for S-Series Racks 48U x 30" W	6 x 90 x 50	Internal	115	\$977

EATON POWER DISTRIBUTION, MONITORING AND ENCLOSURES

S-Series Rack (continued)

S-SERIES RACK OPTIONS (continued)

Part Number	Description	Dimensions (H x W x D, inches)			List Price
		Shipping	Installed	Weight (lb)	
Rack Shelves					
ETN-FS19201U20	Eaton Shelf Fixed 19" 1U x 20"D 200lbs	3 x 22 x 33	1U x 20	15	\$128
ETN-FS19201U40	Eaton Shelf Fixed 19" 1U x 20"D 400lbs	3 x 22 x 33	1U x 20	17	\$143
ETN-FS19241U20	Eaton Shelf Fixed 19" 1U x 24"D 200lbs	3 x 22 x 33	1U x 24	16	\$133
ETN-FS19241U40	Eaton Shelf Fixed 19" 1U x 24"D 400lbs	3 x 22 x 33	1U x 24	18	\$153
ETN-FS19281U20	Eaton Shelf Fixed 19" 1U x 28"D 200lbs	3 x 22 x 33	1U x 28	17	\$138
ETN-FS19281U40	Eaton Shelf Fixed 19" 1U x 28"D 400lbs	3 x 22 x 33	1U x 28	19	\$158
ETN-RS19241U10	Eaton Shelf Roll-Out 19" 1U x 24"D 100lbs	3 x 22 x 33	1U x 24	18	\$388
ETN-RS19242U20	Eaton Shelf Roll-Out 19" 2U x 24"D 200lbs	3 x 22 x 33	1U x 24	20	\$418
ETN-RS19281U10	Eaton Shelf Roll-Out 19" 1U x 28"D 100lbs	3 x 22 x 33	1U x 28	21	\$398
ETN-RS19282U20	Eaton Shelf Roll-Out 19" 2U x 28"D 200lbs	3 x 22 x 33	1U x 28	23	\$427
ETN-CHASBKT2032	Eaton Chassis Support Brackets Adj 19" (20"-32") 400 lbs.	6 x 6 x 30	2U x 19	14	\$305
EAUS192U1605	Eaton 19" Utility Shelf, 2 post mounting, 50 lbs	12 x 24 x 9	2U x 30	12	\$123
Rack Cable and PDU Management, hardware					
ETN-LACEB42U03	Eaton S-Series Lacing Bar 42U x 3"W	4 x 3 x 88	42U x 3	7	\$64
ETN-LACEB42U08	Eaton S-Series Lacing Bar 42U x 8"W	5 x 15 x 88	42U x 8	12	\$84
ETN-LACEB42U12	Eaton S-Series Lacing Bar 42U x 12"W	5 x 15 x 88	42U x 12	15	\$104
ETN-LACEB48U03	Eaton S-Series Lacing Bar 48U x 3"W	4 x 3 x 88	48U x 3	8	\$74
ETN-LACEB48U08	Eaton S-Series Lacing Bar 48U x 8"W	5 x 15 x 88	48U x 8	14	\$94
ETN-LACEB48U12	Eaton S-Series Lacing Bar 48U x 12"W	5 x 15 x 88	48U x 12	17	\$118
ETN-PWRBAR42U	Eaton S-Series Power Mounting Bar 42U x 9"W	5 x 15 x 88	42U x 9	15	\$123
ETN-PWRBAR48U	Eaton S-Series Power Mounting Bar 48U x 9"W	5 x 15 x 88	48U x 9	17	\$128
ETN-PDUBRCKTW	Eaton S-Series PDU Mounting Brackets	4 x 9 x 6	4.5 x 7.1 x 1	3	\$45
ETN-CMDRNR031U	Eaton Cable D-Ring Kit 1U (Qty-4)	6 x 4 x 9	1U x .75 x 3.3	3	\$28
ETN-CMDRNR032U	Eaton Cable D-Ring Kit 2U (Qty-4)	6 x 4 x 9	2U x .75 x 3.3	4	\$30
ETN-STLDRING	Eaton Cable D-Ring Kit, Plastic, (Qty-4)	6 x 4 x 9	1U x .75 x 3.3	3	\$94
ETN-CMTUNR02	Eaton Fiber Spool 2.5"H	6 x 9 x 4	4 x 2.75 x 3.8	2	\$54
ETN-CMTUNR05	Eaton Fiber Spool 5"H	6 x 9 x 4	4 x 5 x 3.8	3	\$59
ETN-BX45V8	Eaton Velcro Strap 8"L, (Qty-50)	5 x 5 x 10	Internal	2	\$59
ETN-BX45V11	Eaton Velcro Strap 11"L, (Qty-50)	5 x 5 x 10	Internal	2	\$69
ETN-CMVBCKL	Eaton Velcro Buckle Strap 9"L, (Qty-10)	6 x 9 x 4	Internal	1	\$80
ETN-CMVBCKL12	Eaton Velcro Buckle Strap 12"L, (Qty-10)	6 x 9 x 4	Internal	1	\$83
ETN-CMRB19022U	Eaton Cable Strain Relief Bar 2"D	3 x 21 x 8	3.5 x 19 x 3	3	\$74
ETN-CMRB19042U	Eaton Cable Strain Relief Bar 4"D	3 x 21 x 8	3.5 x 19 x 5	4	\$77
ETN-CMRB19062U	Eaton Cable Strain Relief Bar 6"D	3 x 21 x 8	3.5 x 19 x 7	5	\$81
ETN-CMRB19082U	Eaton Cable Strain Relief Bar 8"D	3 x 21 x 8	3.5 x 19 x 9	6	\$84
ETN-CMPD19031U	Eaton Horizontal Ring Manager 1U	3 x 21 x 8	1U x 19 x 4.2	4	\$45
ETN-CMPD19032U	Eaton Horizontal Ring Manager 2U	3 x 21 x 8	2U x 19 x 4.2	4	\$47
ETN-CMBPBRSH1U	Eaton Cable Pass-Thru Panel 1U w/Brush	6 x 9 x 4	1U x 19 x .5	1	\$73
ETN-CMBPBRSH2U	Eaton Cable Pass-Thru Panel 2U w/Brush	6 x 9 x 4	2U x 19 x .5	2	\$52
ETN-CMFD19041U	Eaton PatchLink Horizontal Cable Manager 1U	2 x 4 x 22	1U x 19 x 4	2	\$120
ETN-CMFD19042U	Eaton PatchLink Horizontal Cable Manager 2U	4 x 4 x 22	2U x 19 x 4	2	\$140
ETN-CMFP19032U	Eaton Upper Transition Tray 2U x 3.5"D	9 x 9 x 28	2U x 19 x 4	5	\$104
ETN-CMFP19052U	Eaton Upper Transition Tray 2U x 5.0"D	9 x 9 x 28	2U x 19 x 6	6	\$108
ETN-CMLT19032U	Eaton Lower Transition Tray 2U x 3.5"D	9 x 9 x 28	2U x 19 x 5	5	\$133
ETN-CMLT19052U	Eaton Lower Transition Tray 2U x 5.0"D	9 x 9 x 28	2U x 19 x 6	6	\$138
ETN-CMHD19242U	High Density Cable Organizer, w/rear transition tray 24" cabinet	9 x 9 x 28	2U x 19 x 24	5	\$418
ETN-CMHD19302U	High Density Cable Organizer, w/rear transition tray 30" cabinet	9 x 9 x 28	2U x 19 x 30	7	\$437
ETN-1032CAGE20	Eaton Cage Nut #10-32 Hardware Kit (Qty-20)	5 x 5 x 5	Internal	2	\$19
ETN-M6CAGE20	Eaton Cage Nut M6 Hardware Kit (Qty-20)	5 x 5 x 5	Internal	2	\$19
Top of Rack Cable Management					
ETN-LAD1006B	Eaton S-Series Cable Ladder Rack 6"W x 10'L BLK	2 x 7 x 122	1.5 x 6 x 120	12	\$221
ETN-LAD1012B	Eaton S-Series Cable Ladder Rack 12"W x 10'L BLK	2 x 13 x 122	1.5 x 12 x 120	24	\$246
ETN-JCMTLDRPD	Eaton S-Series Ladder Rack Bracket Perpendicular	6 x 10 x 5	Internal	5	\$94

EATON POWER DISTRIBUTION, MONITORING AND ENCLOSURES

S-Series Rack (continued)

S-SERIES RACK OPTIONS (continued)

Part Number	Description	Dimensions (H x W x D, inches)		List Weight (lb)	Price
		Shipping	Installed		
Top of Rack Cable Management (continued)					
ETN-JCMTLDRPR	Eaton S-Series Ladder Rack Bracket Parallel	6 x 10 x 5	Internal	5	\$74
ETN-JCMT24SP	Eaton S-Series Data Cable Partition Panel 24" Solid	6 x 6 x 48	5 x 24 x 2.5	3	\$74
ETN-JCMT24PP	Eaton S-Series Data Cable Partition Panel 24" Pass-Thru	6 x 6 x 48	5 x 24 x 2.5	3	\$79
ETN-JCMT24PT	Eaton S-Series Power Cable Trough 24"	3 x 33 x 16	5 x 24 x 10	7	\$148
ETN-JCMT30SP	Eaton S-Series Data Cable Partition Panel 30" Solid	6 x 6 x 48	5 x 30 x 2.5	4	\$79
ETN-JCMT30PP	Eaton S-Series Data Cable Partition Panel 30" Pass-Thru	6 x 6 x 48	5 x 30 x 2.5	4	\$84
ETN-JCMT30PT	Eaton S-Series Power Cable Trough 30"	6 x 6 x 48	5 x 30 x 10	8	\$167
Rack shipping and anchoring					
ETN-JANCHOR1	Eaton S-Series Floor Anchor Brackets (S-Series)	6 x 10 x 5	2.8 x 7 x 2.8	11	\$177
ETN-ENCRMP24	Eaton Standard-Duty Ramp for 24"W Racks (S-Series)	1 x 38 x 44	1 x 38 x 44	22	\$50
ETN-ENCRMP30	Eaton Standard-Duty Ramp for 30"W Racks (S-Series)	1 x 38 x 44	1 x 38 x 44	22	\$50
ETN-ACCJCSTR40	S Series Caster Kit - Qty 4 - for 42" Deep cabinet	10 x 10 x 40	4 x 31 x 6	40	\$235
ETN-ACCJCSTR45	S Series Caster Kit - Qty 4 - for 48" Deep cabinet	10 x 10 x 40	4 x 36 x 6	45	\$274

Note: Call factory for heavy duty packaging options

EATON POWER DISTRIBUTION, MONITORING AND ENCLOSURES

Environmental Rack Monitor (ERM)

- Connect and monitor up to two temperature sensors, two humidity sensors and four input contact sensors
- 0U form factor space saving design; does not take valuable space that can be occupied by servers
- Built-in Web server—access, monitor, configure and even reboot the device from anywhere on the Internet using its own dedicated IP address
- Supports SNMP and comes with its own MIB (Management Information Base). Can integrate with any open-standards based Network Management System (NMS) such as HP OpenView
- One-year warranty on rack monitor and all sensors



ENVIRONMENTAL RACK MONITORS

Description	Part Number	Shipping Dimensions (H x W x D, inches)	Shipping Weight (lb)	List Price
Environmental Rack Monitor, 120V AC 2-pin power input ¹	103005775	2.5 x 7.6 x 11.9	1.7	\$392
Environmental Rack Monitor, C13/C14, 100-250V AC, 50/60Hz 3-pin power input	103005912	2.5 x 7.6 x 11.9	2.2	\$392
TH-Module (Black), individual	103005822	2.4 x 6.3 x 8.8	0.7	\$88
Environmental Rack Monitor Water Leak Detector, 3ft	103005780	0.6 x 7.9 x 8.2	0.3	\$137
Environmental Rack Monitor Water Leak Detector, 12ft	103005894	0.6 x 11.2 x 11.4	0.5	\$245
Environmental Rack Monitor Door Contact Sensor	103005781	2.0 x 2.0 x 2.0	0.1	\$29
Environmental Rack Monitor Vibration Sensor	103005782	2.0 x 3.0 x 2.0	0.1	\$35
Environmental Rack Monitor Power Supply, 120V AC	103005783	2.1 x 2.8 x 4.1	0.2	\$22
Environmental Rack Monitor Power Supply, C13/C14 adapter cable, 100-250V AC, 50/60Hz	103005895	2.1 x 2.8 x 4.1	0.2	\$39
Environmental Rack Monitor Smoke Detector/Alarm (220V, IEC C-13)	103005779	2.4 x 6.3 x 8.8	2.2	\$137
Environmental Rack Monitor Smoke Detector/Alarm (110V, 5-15)	103005890	2.4 x 6.3 x 8.8	2.2	\$137

1. Includes one TH-module

EATON POWER DISTRIBUTION, MONITORING AND ENCLOSURES

Eaton Remote Power Panel Part Number Illustration

Eaton is now employing the use of smart part numbers to help our customers understand the product that fits their needs. Follow the example below as reference only. For ordering purposes please select one of the pre-configured part numbers in the price book or use the online configurator available through the Power Quality web site.

B1 4 1 A CC 0 3 2 0 3 001

Series

B1 = Small RPP (24"W x 24"D)
 B2 = Rack RPP (24"W x 42"D)

Input Connection

1 = Direct Connect
 2-3 = Single Input
 4-5 = Dual Input

Panel Main Breaker

1 = Standard kAIC
 2 = High kAIC

Panel Type

A = 208V 225A Bolt-on CH
 B = 208V 400A Bolt-on CH
 C = 208V 225A Plug-on CH
 D = 208V 400A Plug-on CH
 E = 208V 225A Bolt-on SQD
 F = 208V 400A Bolt-on SQD

Front/Rear Configuration

0 = None
 A = Top Only (1 Panel)
 B = Bottom Only (1 Panel)
 C = Top & Bottom (2 Panels)

Generation

001 = Gen 1

Communication

0 = None
 2 = Modbus RTU
 3 = PXGXPDP
 4 = Modbus RTU & PXGXPDP

Door

0 = Solid
 1 = See-Thru Plexi
 2 = Rack Mesh

Display

0 = None
 1 = Single Display
 2 = Dual Display

Metering

0 = None
 1 = System Level
 2 = Premium BCMS 60A
 3 = Premium BCMS 100A

Surge

0 = None
 2 = 100kA/ph
 3 = 200kA/ph

EATON POWER DISTRIBUTION, MONITORING AND ENCLOSURES

Remote Power Panel (RPP)

Eaton RPPs deliver unmatched power distribution with up to 168 factory-installed branch breakers in a highly compact footprint. These products offer ease of installation through standard top and bottom cable entry provisions within a free-standing structure. They include extensive monitoring options such as branch circuit monitoring, which allows you to manage and monitor power effectively.

- Unmatched power distribution in either a highly compact footprint or rack configuration to line and match with IT equipment racks
- Ease of installation through standard top and bottom cable entry provision
- Extensive monitoring options allow you to manage power effectively
- Factory-tested power distribution to ensure highest reliability
- Flexible expansion for your power distribution within a data center
- Includes one year local (250 km) 5x8 Corrective warranty, Local 5x8 start-up



Rack Power Panel
24"W x 42"D x 80"H



Remote Power Panel
24"W x 24"D x 80"H

REMOTE POWER PANEL TOPSELLERS (24"W x 24"D x 80"H)

Part Number	Description	Local Display	Surge Protection	Door Style	List Price
Direct Connection to Panel Main Breakers					
System Level Monitoring (Includes Power Xpert Gateway PDP Card)					
B111AC010113001	Front Only - 2 x 42-pole Panels - 208/120V 225A Bolt-on Cutler-Hammer	Front	None	See-Through Plexi	\$11,212
B111AC012113001	Front Only - 2 x 42-pole Panels - 208/120V 225A Bolt-on Cutler-Hammer	Front	100 kA/ph per Input	See-Through Plexi	\$13,472
B111BC010103001	Front Only - 2 x 42-pole Panels - 208/120V 400A Bolt-on Cutler-Hammer	Front	None	Solid Standard	\$12,287
B111ACC10213001	Front & Back - 4 x 42-pole Panels - 208/120V 225A Bolt-on Cutler-Hammer	Front & Back	None	See-Through Plexi	\$18,510
B111ACC12213001	Front & Back - 4 x 42-pole Panels - 208/120V 225A Bolt-on Cutler-Hammer	Front & Back	100 kA/ph per Input	See-Through Plexi	\$23,030
B111BCC10203001	Front & Back - 4 x 42-pole Panels - 208/120V 400A Bolt-on Cutler-Hammer	Front & Back	None	Solid Standard	\$20,963
Premium Level Monitoring with BCMS (60A max) (Includes Power Xpert Gateway PDP Card)					
B111AC020113001	Front Only - 2 x 42-pole Panels - 208/120V 225A Bolt-on Cutler-Hammer	Front	None	See-Through Plexi	\$14,629
B111AC022113001	Front Only - 2 x 42-pole Panels - 208/120V 225A Bolt-on Cutler-Hammer	Front	100 kA/ph per Input	See-Through Plexi	\$16,889
B111BC020103001	Front Only - 2 x 42-pole Panels - 208/120V 400A Bolt-on Cutler-Hammer	Front	None	Solid Standard	\$15,704
B111ACC20213001	Front & Back - 4 x 42-pole Panels - 208/120V 225A Bolt-on Cutler-Hammer	Front & Back	None	See-Through Plexi	\$22,919
B111ACC22213001	Front & Back - 4 x 42-pole Panels - 208/120V 225A Bolt-on Cutler-Hammer	Front & Back	100 kA/ph per Input	See-Through Plexi	\$27,439
B111BCC20203001	Front & Back - 4 x 42-pole Panels - 208/120V 400A Bolt-on Cutler-Hammer	Front & Back	None	Solid Standard	\$25,372
Premium Level Monitoring with BCMS (100A max) (Includes Power Xpert Gateway PDP Card)					
B111AC030113001	Front Only - 2 x 42-pole Panels - 208/120V 225A Bolt-on Cutler-Hammer	Front	None	See-Through Plexi	\$15,125
B111AC032113001	Front Only - 2 x 42-pole Panels - 208/120V 225A Bolt-on Cutler-Hammer	Front	100 kA/ph per Input	See-Through Plexi	\$17,385
B111BC030103001	Front Only - 2 x 42-pole Panels - 208/120V 400A Bolt-on Cutler-Hammer	Front	None	Solid Standard	\$16,200
B111ACC30213001	Front & Back - 4 x 42-pole Panels - 208/120V 225A Bolt-on Cutler-Hammer	Front & Back	None	See-Through Plexi	\$24,022
B111ACC32213001	Front & Back - 4 x 42-pole Panels - 208/120V 225A Bolt-on Cutler-Hammer	Front & Back	100 kA/ph per Input	See-Through Plexi	\$28,542
B111BCC30203001	Front & Back - 4 x 42-pole Panels - 208/120V 400A Bolt-on Cutler-Hammer	Front & Back	None	Solid Standard	\$26,475
Single Input Main Lug					
System Level Monitoring (Includes Power Xpert Gateway PDP Card)					
B121AC010113001	Front Only - 2 x 42-pole Panels - 208/120V 225A Bolt-on Cutler-Hammer	Front	None	See-Through Plexi	\$11,912
B131ACC10113001	Front & Back - 4 x 42-pole Panels - 208/120V 225A Bolt-on Cutler-Hammer	Front	None	See-Through Plexi	\$15,092
B131BAA10103001	Front & Back - 2 x 42-pole Panels - 208/120V 400A Bolt-on Cutler-Hammer	Front	None	Solid Standard	\$14,238
Premium Level Monitoring with BCMS (60A max) (Includes Power Xpert Gateway PDP Card)					
B121AC020113001	Front Only - 2 x 42-pole Panels - 208/120V 225A Bolt-on Cutler-Hammer	Front	None	See-Through Plexi	\$15,329
B131ACC20113001	Front & Back - 4 x 42-pole Panels - 208/120V 225A Bolt-on Cutler-Hammer	Front	None	See-Through Plexi	\$21,927
B131BAA20103001	Front & Back - 2 x 42-pole Panels - 208/120V 400A Bolt-on Cutler-Hammer	Front	None	Solid Standard	\$17,655

EATON POWER DISTRIBUTION, MONITORING AND ENCLOSURES

Remote Power Panel (RPP) (continued)

REMOTE POWER PANEL TOPSELLERS (24"W x 24"D x 80"H) (continued)

Part Number	Description	Local Display	Surge Protection	Door Style	List Price
Single Input Main Lug (continued)					
Premium Level Monitoring with BCMS (100A max) (Includes Power Xpert Gateway PDP Card)					
B121AC030113001	Front Only - 2 x 42-pole Panels - 208/120V 225A Bolt-on Cutler-Hammer	Front	None	See-Through Plexi	\$15,825
B131ACC30113001	Front & Back - 4 x 42-pole Panels - 208/120V 225A Bolt-on Cutler-Hammer	Front	None	See-Through Plexi	\$23,030
B131BAA30103001	Front & Back - 2 x 42-pole Panels - 208/120V 400A Bolt-on Cutler-Hammer	Front	None	Solid Standard	\$18,152

Dual Input Main Lugs

System Level Monitoring (Includes Power Xpert Gateway PDP Card)					
B141ACC10213001	Front & Back - 4 x 42-pole Panels - 208/120V 225A Bolt-on Cutler-Hammer	Front & Back	None	See-Through Plexi	\$19,689
B141BAA10203001	Front & Back - 2 x 42-pole Panels - 208/120V 400A Bolt-on Cutler-Hammer	Front & Back	None	Solid Standard	\$18,835
Premium Level Monitoring with BCMS (60A max) (Includes Power Xpert Gateway PDP Card)					
B141ACC20213001	Front & Back - 4 x 42-pole Panels - 208/120V 225A Bolt-on Cutler-Hammer	Front & Back	None	See-Through Plexi	\$24,099
B141BAA20203001	Front & Back - 2 x 42-pole Panels - 208/120V 400A Bolt-on Cutler-Hammer	Front & Back	None	Solid Standard	\$19,827
Premium Level Monitoring with BCMS (100A max) (Includes Power Xpert Gateway PDP Card)					
B141ACC30213001	Front & Back - 4 x 42-pole Panels - 208/120V 225A Bolt-on Cutler-Hammer	Front & Back	None	See-Through Plexi	\$25,201
B141BAA30203001	Front & Back - 2 x 42-pole Panels - 208/120V 400A Bolt-on Cutler-Hammer	Front & Back	None	Solid Standard	\$20,323

RACK POWER PANEL TOPSELLERS (24"W x 42"D x 80"H)

Part Number	Description	Local Display	Surge Protection	Door Style	List Price
Direct Connection to Panel Main Breakers					
System Level Monitoring (Includes Power Xpert Gateway PDP Card)					
B211AC010113001	Front Only - 2 x 42-pole Panels - 208/120V 225A Bolt-on Cutler-Hammer	Front	None	See-Through Plexi	\$13,885
B211AC012113001	Front Only - 2 x 42-pole Panels - 208/120V 225A Bolt-on Cutler-Hammer	Front	100 kA/ph per Input	See-Through Plexi	\$16,145
B211BC010103001	Front Only - 2 x 42-pole Panels - 208/120V 400A Bolt-on Cutler-Hammer	Front	None	Solid Standard	\$14,822
B211ACC10213001	Front & Back - 4 x 42-pole Panels - 208/120V 225A Bolt-on Cutler-Hammer	Front & Back	None	See-Through Plexi	\$21,183
B211ACC12213001	Front & Back - 4 x 42-pole Panels - 208/120V 225A Bolt-on Cutler-Hammer	Front & Back	100 kA/ph per Input	See-Through Plexi	\$25,703
B211BCC10203001	Front & Back - 4 x 42-pole Panels - 208/120V 400A Bolt-on Cutler-Hammer	Front & Back	None	Solid Standard	\$23,498
Premium Level Monitoring with BCMS (60A max) (Includes Power Xpert Gateway PDP Card)					
B211AC020113001	Front Only - 2 x 42-pole Panels - 208/120V 225A Bolt-on Cutler-Hammer	Front	None	See-Through Plexi	\$17,303
B211AC022113001	Front Only - 2 x 42-pole Panels - 208/120V 225A Bolt-on Cutler-Hammer	Front	100 kA/ph per Input	See-Through Plexi	\$19,563
B211BC020103001	Front Only - 2 x 42-pole Panels - 208/120V 400A Bolt-on Cutler-Hammer	Front	None	Solid Standard	\$18,240
B211ACC20213001	Front & Back - 4 x 42-pole Panels - 208/120V 225A Bolt-on Cutler-Hammer	Front & Back	None	See-Through Plexi	\$25,593
B211ACC22213001	Front & Back - 4 x 42-pole Panels - 208/120V 225A Bolt-on Cutler-Hammer	Front & Back	100 kA/ph per Input	See-Through Plexi	\$30,113
B211BCC20203001	Front & Back - 4 x 42-pole Panels - 208/120V 400A Bolt-on Cutler-Hammer	Front & Back	None	Solid Standard	\$27,908
Premium Level Monitoring with BCMS (100A max) (Includes Power Xpert Gateway PDP Card)					
B211AC030113001	Front Only - 2 x 42-pole Panels - 208/120V 225A Bolt-on Cutler-Hammer	Front	None	See-Through Plexi	\$17,799
B211AC032113001	Front Only - 2 x 42-pole Panels - 208/120V 225A Bolt-on Cutler-Hammer	Front	100 kA/ph per Input	See-Through Plexi	\$20,059
B211BC030103001	Front Only - 2 x 42-pole Panels - 208/120V 400A Bolt-on Cutler-Hammer	Front	None	Solid Standard	\$18,736
B211ACC30213001	Front & Back - 4 x 42-pole Panels - 208/120V 225A Bolt-on Cutler-Hammer	Front & Back	None	See-Through Plexi	\$26,585
B211ACC32213001	Front & Back - 4 x 42-pole Panels - 208/120V 225A Bolt-on Cutler-Hammer	Front & Back	100 kA/ph per Input	See-Through Plexi	\$31,105
B211BCC30203001	Front & Back - 4 x 42-pole Panels - 208/120V 400A Bolt-on Cutler-Hammer	Front & Back	None	Solid Standard	\$28,900

Single Input Main Lug

System Level Monitoring (Includes Power Xpert Gateway PDP Card)					
B221AC010113001	Front Only - 2 x 42-pole Panels - 208/120V 225A Bolt-on Cutler-Hammer	Front	None	See-Through Plexi	\$14,585
B231ACC10113001	Front & Back - 4 x 42-pole Panels - 208/120V 225A Bolt-on Cutler-Hammer	Front	None	See-Through Plexi	\$17,766
B231BAA10103001	Front & Back - 2 x 42-pole Panels - 208/120V 400A Bolt-on Cutler-Hammer	Front	None	Solid Standard	\$16,774

EATON POWER DISTRIBUTION, MONITORING AND ENCLOSURES

Remote Power Panel (RPP) (continued)

RACK POWER PANEL TOPSELLERS (24"W x 42"D x 80"H) (continued)

Part Number	Description	Local Display	Surge		List Price
			Protection	Door Style	
Single Input Main Lug (continued)					
Premium Level Monitoring with BCMS (60A max) (Includes Power Xpert Gateway PDP Card)					
B221AC020113001	Front Only - 2 x 42-pole Panels - 208/120V 225A Bolt-on Cutler-Hammer	Front	None	See-Through Plexi	\$18,003
B231ACC20113001	Front & Back - 4 x 42-pole Panels - 208/120V 225A Bolt-on Cutler-Hammer	Front	None	See-Through Plexi	\$24,601
B231BAA20103001	Front & Back - 2 x 42-pole Panels - 208/120V 400A Bolt-on Cutler-Hammer	Front	None	Solid Standard	\$20,191
Premium Level Monitoring with BCMS (100A max) (Includes Power Xpert Gateway PDP Card)					
B221AC030113001	Front Only - 2 x 42-pole Panels - 208/120V 225A Bolt-on Cutler-Hammer	Front	None	See-Through Plexi	\$18,499
B231ACC30113001	Front & Back - 4 x 42-pole Panels - 208/120V 225A Bolt-on Cutler-Hammer	Front	None	See-Through Plexi	\$25,593
B231BAA30103001	Front & Back - 2 x 42-pole Panels - 208/120V 400A Bolt-on Cutler-Hammer	Front	None	Solid Standard	\$20,687
Dual Input Main Lugs					
System Level Monitoring (Includes Power Xpert Gateway PDP Card)					
B241ACC10213001	Front & Back - 4 x 42-pole Panels - 208/120V 225A Bolt-on Cutler-Hammer	Front & Back	None	See-Through Plexi	\$22,363
B241BAA10203001	Front & Back - 2 x 42-pole Panels - 208/120V 400A Bolt-on Cutler-Hammer	Front & Back	None	Solid Standard	\$21,371
Premium Level Monitoring with BCMS (60A max) (Includes Power Xpert Gateway PDP Card)					
B241ACC20213001	Front & Back - 4 x 42-pole Panels - 208/120V 225A Bolt-on Cutler-Hammer	Front & Back	None	See-Through Plexi	\$26,772
B241BAA20203001	Front & Back - 2 x 42-pole Panels - 208/120V 400A Bolt-on Cutler-Hammer	Front & Back	None	Solid Standard	\$22,363
Premium Level Monitoring with BCMS (100A max) (Includes Power Xpert Gateway PDP Card)					
B241ACC30213001	Front & Back - 4 x 42-pole Panels - 208/120V 225A Bolt-on Cutler-Hammer	Front & Back	None	See-Through Plexi	\$27,764
B241BAA30203001	Front & Back - 2 x 42-pole Panels - 208/120V 400A Bolt-on Cutler-Hammer	Front & Back	None	Solid Standard	\$22,859

REMOTE AND RACK POWER PANEL TOPSELLERS - OPTIONS

Part Number	Description	List Price
157607364	Transient Suppression Plate - 4'W x 4'D plate	\$276
157607206	Extra Knock-out Plates - 84 holes	\$188
157607208	Extra Blank Plates	\$188
124100030-009	Low Voltage Control Junction Box	\$408

REMOTE AND RACK POWER PANEL TOPSELLERS - BRANCH BREAKERS

For branch breakers, please refer to the Eaton Branch Circuit Breakers section.

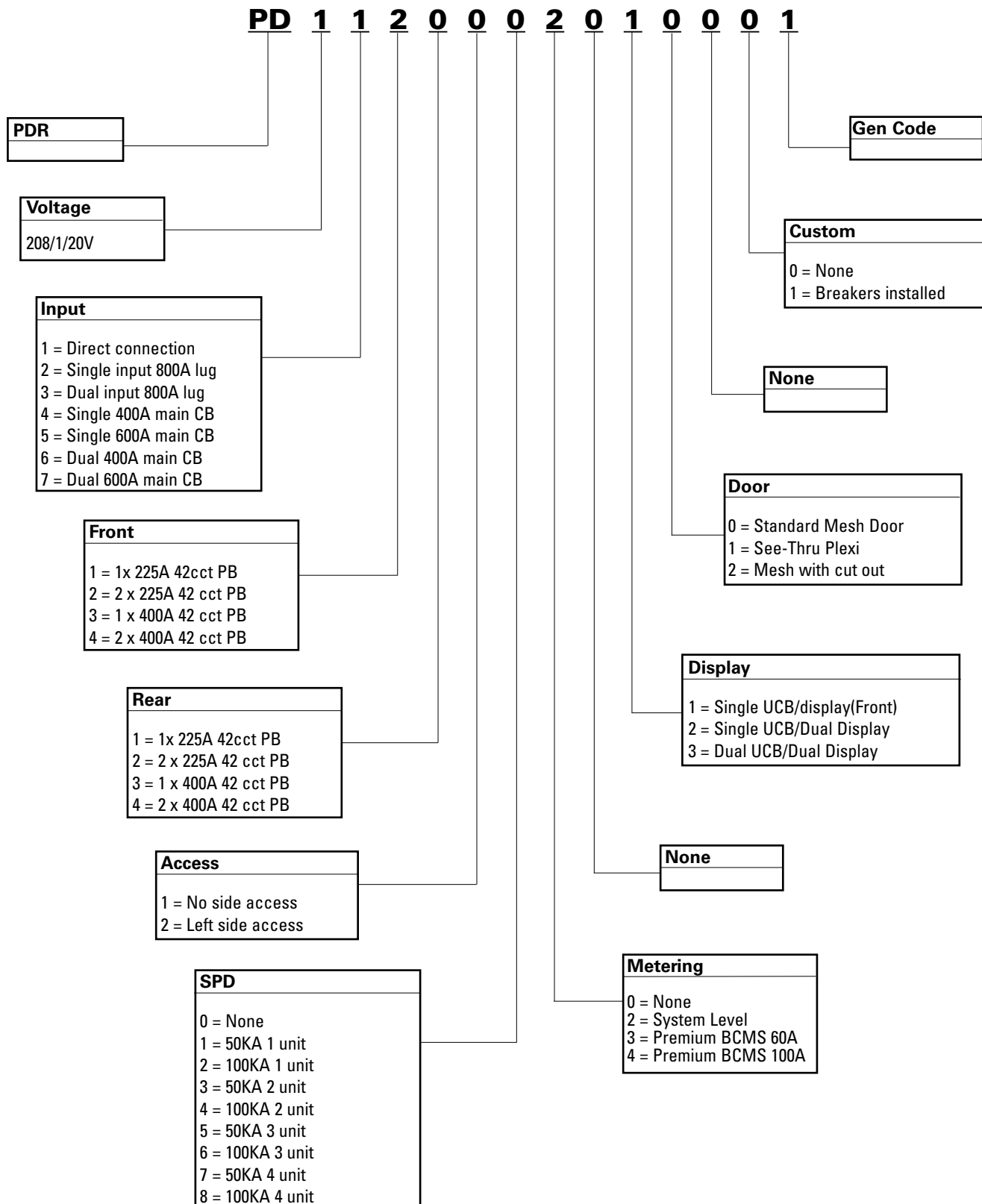
SERVICES

For detailed information on service plans, please refer to the Three-phase Service section on page 114.

EATON POWER DISTRIBUTION, MONITORING AND ENCLOSURES

Eaton Power Distribution Rack Part Number Illustration

Eaton is now employing the use of smart part numbers to help our customers understand the product that fits their needs. Follow the example below as reference only. For ordering purposes please select one of the pre-configured part numbers in the price book or use the online configurator available through the Power Quality web site.



EATON POWER DISTRIBUTION, MONITORING AND ENCLOSURES

Power Distribution Rack (PDR)

Eaton PDRs are designed for high power applications in data center and rack equipment environments. The PDR packs up to four 400A column panelboards into a single EIA standard Enclosure allowing users to take full advantage of all 168 pole positions. The PDR offers top and bottom cable entry for fast, flexible installation. Available options include 100% rated breakers, plexiglas doors and cabinet main input breakers.



- Flexible power distribution with up to 168 factory-installed branch breakers in a highly compact footprint
- Designed for high-density racks, with 400A panels and high power inputs
- Aesthetically pleasing design, with an elegant rack Enclosure in textured black finish
- Free-standing unit with top and bottom cable entry for fast, flexible installation
- Front and/or rear access, column power panels, large LCD for ease of servicing
- Extensive monitoring options, including the Eaton Energy Management System
- Includes one year local (250 km) 5x8 Corrective warranty, Local 5x8 start-up

POWER DISTRIBUTION RACK TOPSELLERS

Part Number	Description	Local Display	Surge Protection	Door Style	List Price
Direct Connection to Panel Main Breakers					
System Level Monitoring					
PD1122002031001	Front & Back - 4 Panels - 208/120V 225A Bolt-on Cutler-Hammer	Front & Back	None	Plexi	\$20,538
PD1120102011001	Front only - 2 Panels - 208/120V 225A Bolt-on Cutler-Hammer	Front	None	Plexi	\$14,982
PD1120032010001	Front only - 2 Panels - 208/120V 225A Bolt-on Cutler-Hammer	Front	50 kA/ph per Input	Mesh	\$16,691
PD1122182030001	Front & Back - 4 Panels - 208/120V 225A Bolt-on Cutler-Hammer	Front & Back	100 kA/ph per Input	Mesh	\$25,995
Premium Level Monitoring with BCMS (60A max)					
PD1122003031001	Front & Back - 4 Panels - 208/120V 225A Bolt-on Cutler-Hammer	Front & Back	None	Plexi	\$24,937
PD1120103011001	Front only - 2 Panels - 208/120V 225A Bolt-on Cutler-Hammer	Front	None	Plexi	\$18,124
PD1120033010011	Front only - 2 Panels - 208/120V 225A Bolt-on Cutler-Hammer	Front	50 kA/ph per Input	Plexi	\$20,108
PD1122183030001	Front & Back - 4 Panels - 208/120V 225A Bolt-on Cutler-Hammer	Front & Back	100 kA/ph per Input	Mesh	\$30,394
Premium Level Monitoring with BCMS (100A max)					
PD1144104030001	Front & Back - 4 Panels - 208/120V 400A Bolt-on Cutler-Hammer	Front & Back	None	Mesh	\$30,217
PD1122004030001	Front & Back - 4 Panels - 208/120V 225A Bolt-on Cutler-Hammer	Front & Back	None	Mesh	\$25,014
PD1120004010001	Front only - 2 Panels - 208/120V 225A Bolt-on Cutler-Hammer	Front	None	Mesh	\$18,014
PD1140004010001	Front only - 2 Panels - 208/120V 400A Bolt-on Cutler-Hammer	Front	None	Mesh	\$21,056
Single Input Main Lug					
System Level Metering					
PD1244102030001	Front & Back - 4 Panels - 208/120V 400A Bolt-on Cutler-Hammer	Front & Back	None	Mesh	\$27,671
PD1222102010001	Front & Back - 4 Panels - 208/120V 225A Bolt-on Cutler-Hammer	Front & Back	None	Mesh	\$22,467
PD1200002011011	Front only - 2 Panels - 208/120V 225A Bolt-on Cutler-Hammer	Front	None	Plexi	\$17,187
PD1222002031011	Front & Back - 4 Panels - 208/120V 225A Bolt-on Cutler-Hammer	Front & Back	None	Plexi	\$22,743
Premium Level Monitoring with BCMS (60A max)					
PD1244103030001	Front & Back - 4 Panels - 208/120V 400A Bolt-on Cutler-Hammer	Front & Back	None	Mesh	\$32,069
PD1222103030001	Front & Back - 4 Panels - 208/120V 225A Bolt-on Cutler-Hammer	Front & Back	None	Mesh	\$26,866
PD1244103030011	Front & Back - 4 Panels - 208/120V 400A Bolt-on Cutler-Hammer	Front & Back	None	Plexi	\$32,345
PD1244003030011	Front & Back - 4 Panels - 208/120V 400A Bolt-on Cutler-Hammer	Front & Back	None	Plexi	\$27,142
Premium Level Monitoring with BCMS (100A max)					
PD1244104030001	Front & Back - 4 Panels - 208/120V 400A Bolt-on Cutler-Hammer	Front & Back	None	Mesh	\$32,422
PD1222104030001	Front & Back - 4 Panels - 208/120V 225A Bolt-on Cutler-Hammer	Front & Back	None	Mesh	\$27,219
PD1244104030011	Front & Back - 4 Panels - 208/120V 400A Bolt-on Cutler-Hammer	Front & Back	None	Plexi	\$32,698
PD1220004011001	Front only - 2 Panels - 208/120V 225A Bolt-on Cutler-Hammer	Front	None	Plexi	\$20,494

EATON POWER DISTRIBUTION, MONITORING AND ENCLOSURES

Power Distribution Rack (PDR) (continued)

POWER DISTRIBUTION RACK TOPSELLERS

Part Number	Description	Local Display	Surge		List Price
			Protection	Door Style	
Dual Input Main Lugs					
System Level Metering					
PD1344102031001	Front & Back - 4 Panels - 208/120V 400A Bolt-on Cutler-Hammer	Front & Back	None	Plexi	\$30,151
PD1322102030001	Front & Back - 4 Panels - 208/120V 225A Bolt-on Cutler-Hammer	Front & Back	None	Mesh	\$24,672
PD1322002031001	Front & Back - 4 Panels - 208/120V 225A Bolt-on Cutler-Hammer	Front & Back	None	Plexi	\$24,948
Premium Level Monitoring with BCMS (60A max)					
PD1322103031001	Front & Back - 4 Panels - 208/120V 225A Bolt-on Cutler-Hammer	Front & Back	None	Plexi	\$33,006
PD1344103031001	Front & Back - 4 Panels - 208/120V 400A Bolt-on Cutler-Hammer	Front & Back	None	Plexi	\$34,550
PD1322003030001	Front & Back - 4 Panels - 208/120V 225A Bolt-on Cutler-Hammer	Front & Back	None	Mesh	\$29,071
PD1344003031001	Front & Back - 4 Panels - 208/120V 400A Bolt-on Cutler-Hammer	Front & Back	None	Plexi	\$34,274
Premium Level Monitoring with BCMS (100A max)					
PD1322104030001	Front & Back - 4 Panels - 208/120V 225A Bolt-on Cutler-Hammer	Front & Back	None	Mesh	\$29,424
PD1344104030001	Front & Back - 4 Panels - 208/120V 400A Bolt-on Cutler-Hammer	Front & Back	None	Mesh	\$34,627
PD1322004031001	Front & Back - 4 Panels - 208/120V 225A Bolt-on Cutler-Hammer	Front & Back	None	Plexi	\$29,699
PD1344004031001	Front & Back - 4 Panels - 208/120V 400A Bolt-on Cutler-Hammer	Front & Back	None	Plexi	\$34,902

Single Input Main Breaker (400A)

System Level Metering					
PD1420102010001	Front only - 2 Panels - 208/120V 225A Bolt-on Cutler-Hammer	Front	None	Mesh	\$17,463
PD1422002030001	Front & Back - 4 Panels - 208/120V 225A Bolt-on Cutler-Hammer	Front & Back	None	Mesh	\$23,019
Premium Level Monitoring with BCMS (60A max)					
PD1420003011001	Front only - 2 Panels - 208/120V 225A Bolt-on Cutler-Hammer	Front	None	See-Through Plexi	\$20,880
PD1420003012001	Front only - 2 Panels - 208/120V 225A Bolt-on Cutler-Hammer	Front	None	Mesh w/ Cut-out	\$20,770
Premium Level Monitoring with BCMS (100A max)					
PD1420004011001	Front only - 2 Panels - 208/120V 225A Bolt-on Cutler-Hammer	Front	None	See-Through Plexi	\$21,045
PD1420004012001	Front only - 2 Panels - 208/120V 225A Bolt-on Cutler-Hammer	Front	None	Mesh w/ Cut-out	\$20,935

Dual Input Main Breaker (600A)

System Level Metering					
PD1722102030001	Front & Back - 4 Panels - 208/120V 225A Bolt-on Cutler-Hammer	Front & Back	None	Mesh	\$27,979
PD1744102030001	Front & Back - 4 Panels - 208/120V 400A Bolt-on Cutler-Hammer	Front & Back	None	Mesh	\$33,183
Premium Level Monitoring with BCMS (60A max)					
PD1722103031001	Front & Back - 4 Panels - 208/120V 225A Bolt-on Cutler-Hammer	Front & Back	None	Plexi	\$32,378
PD1744103030001	Front & Back - 4 Panels - 208/120V 400A Bolt-on Cutler-Hammer	Front & Back	None	Mesh	\$37,581
Premium Level Monitoring with BCMS (100A max)					
PD1722104031001	Front & Back - 4 Panels - 208/120V 225A Bolt-on Cutler-Hammer	Front & Back	None	Plexi	\$32,731
PD1744104030001	Front & Back - 4 Panels - 208/120V 400A Bolt-on Cutler-Hammer	Front & Back	None	Mesh	\$37,934

POWER DISTRIBUTION RACK TOPSELLERS - OPTIONS

Part Number	Description	List Price
103008064-5591	Power Xpert Gateway Communication PDP Card	\$1,310
124100030-009	Control Junction Box	\$408
157607364	Transient Suppression Plate	\$249

Notes: PDRs come with 42-circuit column panelboards with 225A or 400A panel main breakers. Please contact factory for custom configurations.

SERVICES

For detailed information on service plans, please refer to the Three-phase Service section on page 114.

EATON POWER DISTRIBUTION, MONITORING AND ENCLOSURES

Eaton Branch Circuit Breakers

Eaton Cutler-Hammer bolt-on branch circuit breakers can be installed in any 42-pole Cutler-Hammer panelboard providing over-current and high interrupting current protection. Single-, double- and three-pole breakers can be provided from 10 to 100A trip rating and 10 or 22 kAIC.

Single-pole Breakers

Part Number	Trip Rating	kAIC	List Price
BAB1010	10A	10	Call
BAB1015	15A	10	Call
BAB1020	20A	10	Call
BAB1025	25A	10	Call
BAB1030	30A	10	Call
BAB1035	35A	10	Call
BAB1040	40A	10	Call
BAB1045	45A	10	Call
BAB1050	50A	10	Call
BAB1055	55A	10	Call
BAB1060	60A	10	Call
QBHW1015	15A	22	Call
QBHW1020	20A	22	Call
QBHW1025	25A	22	Call
QBHW1030	30A	22	Call
QBHW1035	35A	22	Call
QBHW1040	40A	22	Call
QBHW1045	45A	22	Call
QBHW1050	50A	22	Call
QBHW1055	55A	22	Call
QBHW1060	60A	22	Call

Double-pole Breakers

Three-pole Breakers

Part Number	Trip Rating	kAIC	List Price	Part Number	Trip Rating	kAIC	List Price
BAB2010	10A	10	Call	BAB3015H	15A	10	Call
BAB2015	15A	10	Call	BAB3020H	20A	10	Call
BAB2020	20A	10	Call	BAB3025H	25A	10	Call
BAB2025	25A	10	Call	BAB3030H	30A	10	Call
BAB2030	30A	10	Call	BAB3035H	35A	10	Call
BAB2035	35A	10	Call	BAB3040H	40A	10	Call
BAB2040	40A	10	Call	BAB3045H	45A	10	Call
BAB2045	45A	10	Call	BAB3050H	50A	10	Call
BAB2050	50A	10	Call	BAB3055H	55A	10	Call
BAB2055	55A	10	Call	BAB3060H	60A	10	Call
BAB2060	60A	10	Call	QBHW3015H	15A	22	Call
BAB2070	70A	10	Call	BAB3070H	70A	10	Call
BAB2080	80A	10	Call	BAB3080H	80A	10	Call
BAB2090	90A	10	Call	BAB3090H	90A	10	Call
BAB2100	100A	10	Call	BAB3100H	100A	10	Call
QBHW2015	15A	22	Call	QBHW3020H	20A	22	Call
QBHW2020	20A	22	Call	QBHW3025H	25A	22	Call
QBHW2025	25A	22	Call	QBHW3030H	30A	22	Call
QBHW2030	30A	22	Call	QBHW3035H	35A	22	Call
QBHW2035	35A	22	Call	QBHW3040H	40A	22	Call
QBHW2040	40A	22	Call	QBHW3045H	45A	22	Call
QBHW2045	45A	22	Call	QBHW3050H	50A	22	Call
QBHW2050	50A	22	Call	QBHW3055H	55A	22	Call
QBHW2055	55A	22	Call	QBHW3060H	60A	22	Call
QBHW2060	60A	22	Call	QBHW3070H	70A	22	Call
QBHW2070	70A	22	Call	QBHW3080H	80A	22	Call
QBHW2080	80A	22	Call	QBHW3090H	90A	22	Call
QBHW2090	90A	22	Call	QBHW3100H	100A	22	Call
QBHW2100	100A	22	Call				

EATON POWER DISTRIBUTION, MONITORING AND ENCLOSURES

Eaton Energy Management System Upgrade Kit

Eaton EMS Upgrade Kit (EMS-UGK) extends branch circuit monitoring capabilities to any existing and third-party power distribution equipment, such as RPPs, PDUs or wall-mounted panels. This standalone device monitors, tracks and analyzes power, voltage, current and frequency readings, providing time-stamped metering, alarms, events and statistical information for better energy planning. This practical and affordable solution comes with an easy-to-use software tool to configure startup settings and options.

- Monitors up to 2 x 42-poles panels and 2 main inputs up to 400A through split core CTs
- Subfeed monitoring, 75A and 100A branch breaker CTs optional
- LCD screen for local indication of energy consumption
- Conduit box for enhanced wiring harness protection
- 208/120V or 380-415/220-240V rating for North American and International use
- Power Xpert PDP SNMP and TCP/IP Gateway Card included
- Dimensions: 15"W x 11"H x 5"D



EMS UPGRADE KIT - NORTH AMERICAN MODELS: 120/208V, 50/60Hz

Part Number	Power Monitoring	Display	Conduit Box	List Price
E11101003	1 Panel (42 Poles)	No	No	call
E11201003	2 Panels (84 Poles)	No	No	call
E12101003	1 Panel (42 Poles)	Yes	No	call
E12201003	2 Panels (84 Poles)	Yes	No	call
E11112003	1 Panel (42 Poles) & Panel Main Breaker	No	Yes	call
E11212003	2 Panels (84 Poles) & Panel Main Breaker	No	Yes	call
E12112003	1 Panel (42 Poles) & Panel Main Breaker	Yes	Yes	call
E12212003	2 Panels (84 Poles) & Panel Main Breaker	Yes	Yes	call
E11111003	1 Panel (42 Poles) & Panel Main Breaker	No	No	call
E11211003	2 Panels (84 Poles) & Panel Main Breaker	No	No	call
E12111003	1 Panel (42 Poles) & Panel Main Breaker	Yes	No	call
E12211003	2 Panels (84 Poles) & Panel Main Breaker	Yes	No	call

EMS UPGRADE KIT - INTERNATIONAL MODELS: 380/415 - 220/240V, 50/60Hz

Part Number	Power Monitoring	Display	Conduit Box	List Price
E21101003	1 Panel (42 Poles)	No	No	call
E21201003	2 Panels (84 Poles)	No	No	call
E22101003	1 Panel (42 Poles)	Yes	No	call
E22201003	2 Panels (84 Poles)	Yes	No	call
E21112003	1 Panel (42 Poles) & Panel Main Breaker	No	Yes	call
E21212003	2 Panels (84 Poles) & Panel Main Breaker	No	Yes	call
E22112003	1 Panel (42 Poles) & Panel Main Breaker	Yes	Yes	call
E22212003	2 Panels (84 Poles) & Panel Main Breaker	Yes	Yes	call
E21111003	1 Panel (42 Poles) & Panel Main Breaker	No	No	call
E21211003	2 Panels (84 Poles) & Panel Main Breaker	No	No	call
E22111003	1 Panel (42 Poles) & Panel Main Breaker	Yes	No	call
E22211003	2 Panels (84 Poles) & Panel Main Breaker	Yes	No	call

EMS UPGRADE KIT - OPTIONS

Part Number	Description	List Price
103006704	Subfeed Breaker Monitoring Kit (3 CTs)	call
103006705	100A Branch Breaker CTs Kit (10)	call
103006756	Extra 75A Branch Breaker CTs Kit (5)	call

EATON POWER DISTRIBUTION, MONITORING AND ENCLOSURES

UL Listed Power Distribution Cables

Eaton's line of liquid-tight power distribution cables minimizes electrical and mechanical disturbances including harmonic distortion. These cables are UL listed for use with Integration Technology Equipment (NEC 645) and are exempt from being secured in place, making your power distribution system completely flexible and cost effective.

- Highly flexible and approved for data center environments (NEC 645)
- Custom configurations and colors available



STANDARD NEMA CABLE

NEMA Type	Hubbell PN	Volts	Amps	Phase	Breaker	Wire Qty	Wire Size	Sealtite	Fixed Price	Price Per Foot
5-15R1	5261	120	15	1	1 Pole	3	12 awg	0.5"	Call	Call
5-15R2	5262	120	15	1	1 Pole	3	12 awg	0.5"	Call	Call
5-15R4	5262	120	15	1	1 Pole	3	12 awg	0.5"	Call	Call
5-20R1	5361	120	20	1	1 Pole	3	12 awg	0.5"	Call	Call
5-20R2	5362	120	20	1	1 Pole	3	12 awg	0.5"	Call	Call
5-20R4	5362	120	20	1	1 Pole	3	12 awg	0.5"	Call	Call
5-30R1	9308	120	30	1	1 Pole	3	10 awg	0.5"	Call	Call
5-50R1	9360	120	50	1	1 Pole	3	8 awg	0.5"	Call	Call
6-15R1	5661	208	15	1	2 Pole	3	12 awg	0.5"	Call	Call
6-15R2	5662	208	15	1	2 Pole	3	12 awg	0.5"	Call	Call
6-15R4	5662	208	15	1	2 Pole	3	12 awg	0.5"	Call	Call
6-20R1	5465	208	20	1	2 Pole	3	12 awg	0.5"	Call	Call
6-20R2	5462	208	20	1	2 Pole	3	12 awg	0.5"	Call	Call
6-20R4	5462	208	20	1	2 Pole	3	12 awg	0.5"	Call	Call
6-30R1	9330	208	30	1	2 Pole	3	10 awg	0.5"	Call	Call
14-20R1	8410	120/208	20	1	2 Pole	4	12 awg	0.5"	Call	Call
14-30R1	9430	120/208	30	1	2 Pole	4	10 awg	0.5"	Call	Call
14-50R1	9450	120/208	50	1	2 Pole	4	8 awg	0.75"	Call	Call
L5-15R1	4710	120	15	1	1 Pole	3	12 awg	0.5"	Call	Call
L5-15R2	4700	120	15	1	1 Pole	3	12 awg	0.5"	Call	Call
L5-20R1	2310	120	20	1	1 Pole	3	12 awg	0.5"	Call	Call
L5-30R1	2610	120	30	1	1 Pole	3	10 awg	0.5"	Call	Call
L6-15R1	4560	208	15	2	2 Pole	3	12 awg	0.5"	Call	Call
L6-15R2	4550	208	15	2	2 Pole	3	12 awg	0.5"	Call	Call
L6-20R1	2320	208	20	2	2 Pole	3	12 awg	0.5"	Call	Call
L6-30R1	2620	208	30	2	2 Pole	3	10 awg	0.5"	Call	Call
L14-20R1	2410	120/208	20	2	2 Pole	4	12 awg	0.5"	Call	Call
L14-30R1	2710	120/208	30	2	2 Pole	4	10 awg	0.5"	Call	Call
L15-20R1	2420	208	20	3	3 Pole	4	12 awg	0.5"	Call	Call
L15-30R1	2720	208	30	3	3 Pole	4	10 awg	0.5"	Call	Call
L21-20R1	2510	208	20	3	3 Pole	5	12 awg	0.5"	Call	Call
L21-30R1	2810	208	30	3	3 Pole	5	10 awg	0.5"	Call	Call

Notes: See next page

EATON POWER DISTRIBUTION, MONITORING AND ENCLOSURES

UL Listed Power Distribution Cables *(continued)*

NEMA "IG" ISOLATED GROUND CABLE

NEMA Type	Hubbell PN	Volts	Amps	Phase	Breaker	Wire Qty	Wire Size	Sealtite	Fixed Price	Price Per Foot
5-15R1 IG	5261	120	15	1	1 Pole	4	12 awg	0.5"	Call	Call
5-15R2 IG	5262	120	15	1	1 Pole	4	12 awg	0.5"	Call	Call
5-15R4 IG	5262	120	15	1	1 Pole	4	12 awg	0.5"	Call	Call
5-20R1 IG	5361	120	20	1	1 Pole	4	12 awg	0.5"	Call	Call
5-20R2 IG	5362	120	20	1	1 Pole	4	12 awg	0.5"	Call	Call
5-20R4 IG	5362	120	20	1	1 Pole	4	12 awg	0.5"	Call	Call
5-30R1 IG	9308	120	30	1	1 Pole	4	10 awg	0.5"	Call	Call
6-15R1 IG	5661	208	15	1	2 Pole	4	12 awg	0.5"	Call	Call
6-15R2 IG	5662	208	15	1	2 Pole	4	12 awg	0.5"	Call	Call
6-15R4 IG	5662	208	15	1	2 Pole	4	12 awg	0.5"	Call	Call
6-20R1 IG	5465	208	20	1	2 Pole	4	12 awg	0.5"	Call	Call
6-20R2 IG	5462	208	20	1	2 Pole	4	12 awg	0.5"	Call	Call
6-20R4 IG	5462	208	20	1	2 Pole	4	12 awg	0.5"	Call	Call
6-30R1 IG	9330	208	30	1	2 Pole	4	10 awg	0.5"	Call	Call
L5-15R1 IG	4710	120	15	1	1 Pole	4	12 awg	0.5"	Call	Call
L5-15R2 IG	4700	120	15	1	1 Pole	4	12 awg	0.5"	Call	Call
L5-20R1 IG	2310	120	20	1	1 Pole	4	12 awg	0.5"	Call	Call
L5-30R1 IG	2610	120	30	1	1 Pole	4	10 awg	0.5"	Call	Call
L6-15R1 IG	4560	208	15	2	2 Pole	4	12 awg	0.5"	Call	Call
L6-15R2 IG	4550	208	15	2	2 Pole	4	12 awg	0.5"	Call	Call
L6-20R1 IG	2320	208	20	2	2 Pole	4	12 awg	0.5"	Call	Call
L6-30R1 IG	2620	208	30	2	2 Pole	4	10 awg	0.5"	Call	Call
L14-20R1 IG	2410	120/208	20	2	2 Pole	5	12 awg	0.5"	Call	Call
L14-30R1 IG	2710	120/208	30	2	2 Pole	5	10 awg	0.5"	Call	Call
L15-20R1 IG	2420	208	20	3	3 Pole	5	12 awg	0.5"	Call	Call
L15-30R1 IG	2720	208	30	3	3 Pole	5	10 awg	0.5"	Call	Call
L21-20R1 IG	2510	208	20	3	3 Pole	6	12 awg	0.5"	Call	Call
L21-30R1 IG	2810	208	30	3	3 Pole	6	10 awg	0.5"	Call	Call

Notes:

1. For the cables that have 0.5" conduit, to go to 0.75" conduit, please add \$1.05 per foot to the above list price.
2. For the cables that have 12 awg wire, to go to 10 awg wire conduit, please add \$1.00 per foot to the above list price.
3. Breakers are NOT included in the base price above.
4. The above pricing does NOT include shipping costs.
5. Please see the Cables specifications or contact the factory for details.
6. Add .63 per FT for colored LT.
7. For separate circuits for quads etc, must call for quote.
8. To construct a part number use the following format: <NEMA Type> - <Cable Length in Feet, min of 2 digits>. As an example, a 5-50R1 NEMA type with 2 feet of cable becomes 5-50R1-02.
9. Price is determined by adding the Fixed Price to Price per Foot multiplied by the cable length in feet.

EATON POWER DISTRIBUTION, MONITORING AND ENCLOSURES

UL Listed Power Distribution Cables (*continued*)

RUSSELLSTOLL & IEC CABLES

Device	Volts	Amps	Phase	Breaker	Wire Qty	Wire Size	Sealtite	Fixed Price	Price Per Foot
RS3913	250	20	2	2 Pole	3	12 awg	0.5"	Call	Call
RS3743	250	20	2	2 Pole	3	12 awg	0.5"	Call	Call
RS3913U2	250	20	2	2 Pole	3	12 awg	0.5"	Call	Call
RS3914	250	20	3	3 Pole	4	12 awg	0.5"	Call	Call
RS3933	250	30	2	2 Pole	4	10 awg	0.5"	Call	Call
RS3753	250	30	2	2 Pole	4	10 awg	0.5"	Call	Call
RS3934	250	30	3	3 Pole	4	10 awg	0.5"	Call	Call
RS3754	250	30	3	3 Pole	4	10 awg	0.5"	Call	Call
RS7428-78	600	60	3	3 Pole	4	6 awg	0.75"	Call	Call
9C33U0	250	30	2	2 Pole	3	10 awg	0.5"	Call	Call
9C54U2/C75	250	50	3	3 Pole	4	8 awg	0.75"	Call	Call
HBL360C6W	250	60	2	2 Pole	3	6 awg	0.75"	Call	Call
HBL460C9W	250	60	3	3 Pole	4	6 awg	0.75"	Call	Call
HBL360R9W	250	60	3	3 Pole	4	6 awg	0.75"	Call	Call

"FIELD WIRE" CABLES

Description	Device	Volts	Amps	Phase	Breaker	Wire Qty	Wire Size	Sealtite	Fixed Price	Price Per Foot
FW120	N/A	120	15	1	1 Pole	3	12 awg	0.5"	Call	Call
FW130	N/A	120	15	1	1 Pole	3	10 awg	0.5"	Call	Call
FW220	N/A	120	15	1	2 Pole	3	12 awg	0.5"	Call	Call
FW220N	N/A	120	20	1	2 Pole	4	12 awg	0.5"	Call	Call
FW230	N/A	120	20	1	2 Pole	3	10 awg	0.5"	Call	Call
FW230N	N/A	120	20	1	2 Pole	4	10 awg	0.5"	Call	Call
FW320	N/A	120	30	1	3 Pole	4	12 awg	0.5"	Call	Call
FW320N	N/A	208	15	1	3 Pole	5	12 awg	0.5"	Call	Call
FW330	N/A	208	15	1	3 Pole	4	10 awg	0.5"	Call	Call
FW330N	N/A	208	15	1	3 Pole	5	10 awg	0.5"	Call	Call
FW360	N/A	208	20	1	3 Pole	4	6 awg	0.75"	Call	Call
FW360N	N/A	208	20	1	3 Pole	5	6 awg	1.00"	Call	Call
FW3100	N/A	208	20	1	3 Pole	4	3 awg	1.25"	Call	Call
FW3100N	N/A	208	100	1	3 Pole	5	1 awg	1.50"	Call	Call

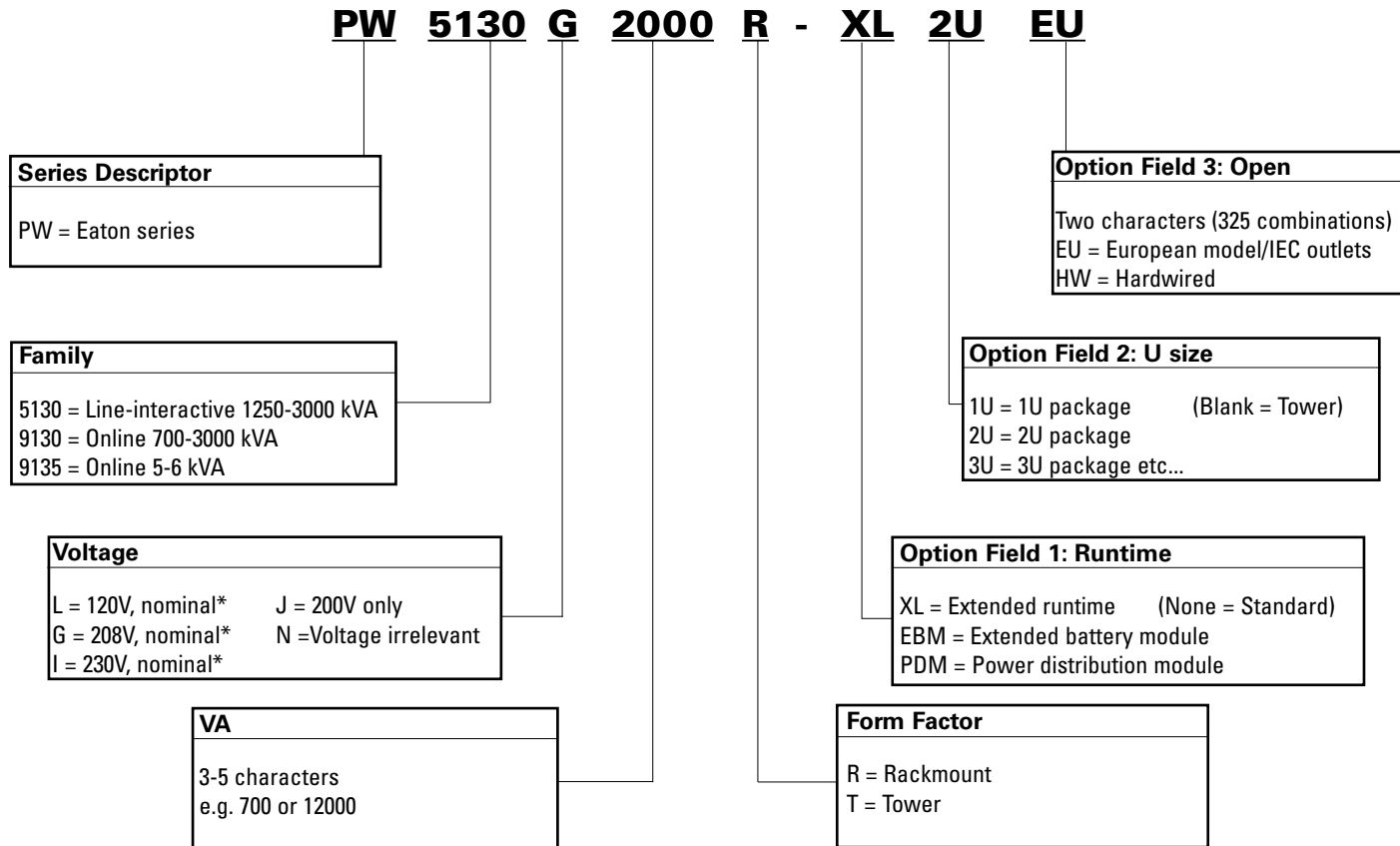
Notes:

1. For the cables that have 0.5" conduit, to go to 0.75" conduit, please add \$1.05 per foot to the above list price. 2. For the cables that have 12 awg wire, to go to 10 awg wire conduit, please add \$1.00 per foot to the above list price. 3. Breakers are NOT included in the base price above. 4. The above pricing does NOT include shipping costs. 5. Please see the Cables specifications or contact the factory for details. 6. Add .63 list per FT for colored LT. 7. For "Field Wire" cables: All single pole field wire cables include a neutral, separate "N" is not required.

EATON CATALOG NUMBER ORDERING INSTRUCTIONS

Single-phase Products

Eaton is now employing the use of smart part numbers to help our customers design the product that fits their needs and makes ordering a snap. Follow the example below to see how to easily select your product's features and create the catalog number for your order.



*Other selectable voltages vary by product

EATON 3S UPS

Eaton series

Now featuring a
3-year warranty with
product registration!

Standby UPS (350–750 VA)

The sleek Eaton 3S delivers high efficiency and energy-saving battery backup and surge protection for your premium home and office equipment — ready to go right out of the box.

- Ease of use: Plug-and-play capability — features HID-compliant USB port for automatic integration with Windows, Mac and Linux (no drivers required)
- EcoControl for 30% greater energy savings than a typical battery backup
- Attractive design and glossy finish make the 3S a perfect fit for the modern office environment
- Up to 10 receptacles — (5) battery backup and surge protection, (5) surge protection
- Protection for devices connected to telephone, fax and Ethernet lines
- User-replaceable batteries
- Integrated graceful shutdown capability for connected devices
- Warranty (US and Canada): Three-year limited warranty (third year of warranty free with online product registration), \$25,000 load protection guarantee



3S NORTH AMERICAN MODELS: 120V, 50/60 Hz

Model	Part Number	Rating (VA/Watts)	Input Connection	Output Receptacles	Dimensions (H x W x D, inches)	Weight (lb)	List Price
3S 350	3S350	350/200	5-15P	(8) 5-15R (4 Battery Backup & 4 Surge Protection only)	3.4 x 5.5 x 13.2	6.6	\$87
3S 550	3S550	550/330	5-15P	(8) 5-15R (4 Battery Backup & 4 Surge Protection only)	3.4 x 5.5 x 13.2	7.3	\$108
3S 750	3S750	750/450	5-15P	(10) 5-15R (5 Battery Backup & 5 Surge Protection only)	3.4 x 6.7 x 13.2	9.7	\$164

SOFTWARE

To enable EcoControl functionality on the 750 VA unit, download Personal Solution-Pac software at www.eaton.com/psp. The Intelligent Power Software Suite is available for download free of charge from www.eaton.com/intelligentpower. See the software and connectivity product sections for more detail.

3S BATTERY BACKUP TIMES (in minutes)

UPS model	Load	50W	100W	150W	200W	250W	300W	350W	400W	450W
3S350		30	12	7	5					
3S550		42	18	11	6	4				
3S750		61	31	20	13	10	7	6	4	3

Note: Battery runtimes are approximate and may vary with equipment, configuration, battery age, temperature, etc.

SERVICES

For detailed information on service plans, please refer to the Single-phase Service section on page 108.

EATON 5S UPS TOWER

Now featuring a 3-year warranty with product registration!

Line-interactive UPS (550 – 1500 VA)

- Power management: Enhance your power protection capabilities and ensure safe system shutdown with the Eaton UPS Companion software. The 5S interface is auto-recognized when plugged into computers with Windows, Macintosh and Linux environments
- LCD display: Access critical UPS information including battery time and outage tracking in a single screen view with the user-friendly LCD
- Data protection: Safeguard your work and data with the UPS Companion software by gracefully shutting down your equipment during power outages
- Eco-Control: Save up to 30 percent on energy consumption by shutting down non-essential peripherals when the connected computer is turned off
- Convenient form factor: Fit the 5S easily into tight spaces with its slim form factor. The versatile 5S can be used as a tower or as a desktop monitor stand
- Surge protection: Provide surge protection for network phone lines, cable TV and satellite applications
- Battery health checks: Schedule daily, weekly or monthly health checks to verify battery performance and ensure it delivers power during the next outage
- Warranty (US and Canada): Three-year limited warranty (third year of warranty free with online product registration), \$25,000 load protection guarantee



5S NORTH AMERICAN MODELS: 120V, 50/60 Hz

Catalog Number	Rating (VA/Watts)	Input Connection	Output Receptacles	Dimensions (H x W x D, inches)	Net Weight (lb)	LCD	Eco Control	List Price
5S550	550/330	5-15P (6 ft)	(8) 5-15R	9.8 x 3.4 x 10.2	12.6	No	No	\$159
5S700	700/420	5-15P (6 ft)	(8) 5-15R	9.8 x 3.4 x 10.2	14.7	No	No	\$176
5S700LCD	700/420	5-15P (6 ft)	(8) 5-15R	9.8 x 3.4 x 10.2	15.1	Yes	Yes	\$186
5S1000LCD	1000/600	5-15P (6 ft)	(10) 5-15R	9.8 x 3.4 x 15.0	21.7	Yes	Yes	\$226
5S1500LCD	1500/900	5-15P (6 ft)	(10) 5-15R	9.8 x 3.4 x 15.0	26.1	Yes	Yes	\$331

5S INTERNATIONAL MODELS: 208 or 230V, 50/60 Hz

Catalog Number	Rating (VA/Watts)	Input Connection	Output Receptacles	Dimensions (H x W x D, inches)	Net Weight (lb)	LCD	Eco Control	List Price
5S700G	700/420	C14	(6) C13	9.8 x 3.4 x 10.2	13.2	No	No	\$213
5S1500G	1500/900	C14	(8) C13	9.8 x 3.4 x 15.0	24.6	No	No	\$381

SOFTWARE

The UPS Companion software is available for download free of charge. See the software and connectivity product sections for more detail.

5S BATTERY BACKUP TIMES (in minutes)

UPS model	Load	30W	60W	90W	120W	150W	180W	210W	240W	270W	300W	330W	360W	390W	420W
5S550		121	56	31	20	14	10	8	6	5	4	1			
5S700		151	75	37	30	21	14	12	11	9	7	6	5	3	2
5S700G		151	75	37	30	21	14	12	11	9	7	6	5	3	2
5S700LCD		86	67	36	27	20	15	11	9	7	6	5	4	2	2

UPS model	Load	120W	180W	240W	300W	360W	420W	480W	540W	600W	660W	720W	780W	840W	900W
5S1000LCD		43	26	18	14	10	9	6	4	3					
5S1500G		79	43	30	22	17	13	10	9	8	6	5	4	3	2
5S1500LCD		71	42	31	22	16	13	10	8	7	6	5	4	3	2

Note: Battery runtimes are approximate and may vary with equipment, configuration, battery age, temperature, etc.

SERVICES

For detailed information on service plans, please refer to the Single-phase Service section on page 108.

EATON 5SC UPS

Now featuring a
3-year warranty with
product registration!

Line-interactive UPS (550 – 1500 VA)

The 5SC offers flexible integration with a small form factor and adjustable input waveform sensitivity, making it ideal for protecting tower servers, network-attached storage (NAS), network equipment, ATMs, tickets machines and kiosks.

- LCD display: Enables you to customize UPS settings, view load and power consumption
- Power management: Integrates with Intelligent Power Manager (IPM) for point-to-point power management (USB/serial) or network-based using server as a proxy
- Battery technology: Extends battery service life by 50% with ABM® technology and offers user-replaceable batteries
- Warranty and service: Protects you with a three-year warranty, which includes the battery
- Reliable power protection: Corrects a wide range of input voltage variations through buck and boost operation; Provides high quality pure-sinewave output capability, protecting any sensitive equipment connected ensuring consistent input voltage to the loads protected
- Convenient form factor: Fits easily into small spaces making the 5SC ideal for protecting tower servers, Network-attached storage (NAS), network equipment, ATMs, ticket machines and kiosks



5SC NORTH AMERICAN MODELS: 120V, 50/60 Hz

Catalog Number	Rating (VA/Watts)	Input Connection	Output Receptacles	Dimensions (H x W x D, inches)	Weight (lb)	List Price
5SC500	500/350	5-15P (6 ft)	(4) 5-15R	8.2 x 5.9 x 9.4	15.2	\$280
5SC750	750/525	5-15P (6 ft)	(6) 5-15R	8.2 x 5.9 x 13.4	23.1	\$403
5SC1000	1000/700	5-15P (6 ft)	(8) 5-15R	8.2 x 5.9 x 13.4	25.6	\$462
5SC1500	1440/1080	5-15P (6 ft)	(8) 5-15R	8.2 x 5.9 x 16.1	34.0	\$594

5SC INTERNATIONAL MODELS: 208 or 230V, 50/60 Hz

Catalog Number	Rating (VA/Watts)	Input Connection	Output Receptacles	Dimensions (H x W x D, inches)	Weight (lb)	List Price
5SC500G	500/350	C14	(4) C13	8.2 x 5.9 x 9.4	15.0	\$322
5SC750G	750/525	C14	(6) C13	8.2 x 5.9 x 13.4	23.1	\$464
5SC1500G	1500/1050	C14	(8) C13	8.2 x 5.9 x 16.1	33.5	\$684

SOFTWARE

The Intelligent Power Software Suite is available for download free of charge. See the software and connectivity product sections for more detail.

5SC BATTERY BACKUP TIMES (in minutes)

UPS model	Wattage											
	18	28	35	70	105	140	175	210	245	280	315	350
5SC500	118	89	64	29	19.6	16.3	12.1	10.4	8.9	7.1	5.3	4.7
Wattage	26	42	53	105	158	210	263	315	368	420	473	525
5SC750	120	89	71	36	24	16.6	12.6	10.6	8.7	7	6	5
5SC750G	124	100	74	38	23	16.5	12.6	10.7	8.8	7	6	4.9
Wattage	35	56	70	140	210	280	350	420	490	560	630	700
5SC1000	111	85	66	35.5	23	17	12.7	10.6	8.7	7	5.9	4.8
Wattage	54	86	108	216	324	432	540	648	756	864	972	1080
5SC1500	136	111	90	40.7	24.9	17.5	12.8	10.5	8.6	6.9	5.9	5
5SC1500G	144	109	90	41	24.7	17.3	12.7	10.4	8.4	6.8	5.8	4.8

Note: Battery runtimes are approximate and may vary with equipment, configuration, battery age, temperature, etc.

SERVICES

For detailed information on service plans, please refer to the Single-phase Service section on page 108.

EATON 5P UPS RACKMOUNT

Now featuring a
3-year warranty with
product registration!



Line-interactive UPS (550–3000 VA)

- Helps save money and protect the environment through energy efficient operation (ENERGY STAR® qualified UPS)
- Enables you to customize UPS settings, view load and power consumption through the graphical interactive LCD screen interface
- Fully integrates with Intelligent Power Software Suite for continuous up time of servers and virtual machines
- Provides more real power (watts) to protect more equipment and leave room for expanding IT systems
- Extends battery service life by 50% with ABM Technology
- Warranty (US and Canada): Three-year limited warranty (third year of warranty free with online product registration), five-year extended warranty plans available, \$150,000 load protection guarantee



5P RACKMOUNT 1U MODELS: 120V, 50/60 Hz

Catalog Number	Description	Rating (VA/Watts)	Input Connection	Output Receptacles	Dimensions (H x W x D, inches)	Weight (lb)	List Price
5P550R	5P 550 VA 120V Rackmount 1U	550/420	5-15P (6 ft)	(5) 5-15R	1.7 (1U) x 17.2 x 14.3	20	\$433
5P750R	5P 750 VA 120V Rackmount 1U	750/600	5-15P (6 ft)	(5) 5-15R	1.7 (1U) x 17.2 x 20.0	31	\$648
5P1000R	5P 1000 VA 120V Rackmount 1U	1000/770	5-15P (6 ft)	(5) 5-15R	1.7 (1U) x 17.2 x 20.0	33	\$826
5P1500R	5P 1500 VA 120V Rackmount 1U	1440/1100	5-15P (6 ft)	(5) 5-15R	1.7 (1U) x 17.2 x 21.8	44	\$1,046

5P RACKMOUNT 1U MODELS: 208/230V, 50/60 Hz

Catalog Number	Description	Rating (VA/Watts)	Input Connection	Output Receptacles	Dimensions (H x W x D, inches)	Weight (lb)	List Price
5P850GR	5P 850 VA 208V Rackmount 1U	850/600	C14	(4) C13	1.7 (1U) x 17.2 x 20.0	30	\$703
5P1550GR	5P 1550 VA 208V Rackmount 1U	1550/1100	C14	(6) C13	1.7 (1U) x 17.2 x 21.8	43	\$1,135

5P RACKMOUNT 2U MODELS: 120V, 50/60 Hz

Catalog Number	Description	Rating (VA/Watts)	Input Connection	Output Receptacles	Dimensions (H x W x D, inches)	Weight (lb)	List Price
5P1500RT	5P 1500 VA 120V Rack/Tower 2U	1440/1440	5-15P (8 ft)	(8) 5-15R	3.4 (2U) x 17.4 x 20.6	65	\$1,113
5P2200RT	5P 2200 VA 120V Rack/Tower 2U	1950/1920	5-20P (8 ft)	(4) 5-15R, (4) 5-20R	3.4 (2U) x 17.4 x 20.6	65	\$1,700
5P3000RT	5P 3000 VA 120V Rack/Tower 2U	3000/2700	L5-30P (10 ft)	(6) 5-20R, (1) L5-30R	3.4 (2U) x 17.4 x 20.6	87	\$2,036

5P RACKMOUNT OPTIONS

Catalog Number	Description	For use with	List Price			
Mounting Hardware						
RK2PA	2-post rail kit (optional) 1U	All Models except 5P550G	TBA			
103007018-5591	Two-post rack mounting rail kit	All RT Models	\$107			
Catalog Number	Description	For use with 5P model	Input Connection	Output Receptacles	Dimensions (H x W x D, inches)	List Price
Power distribution and maintenance bypass						
EHBPL1500R-PDU1U	HotSwap Maintenance Bypass (MBP)	5P550R, 5P750R, 5P1000R, 5P1500R, 5P1500RT	5-15P	(6) 5-15R	2.1 x 17.3 x 3.8	\$308
EHBPL2000R-PDU1U	HotSwap Maintenance Bypass (MBP)	5P2200RT	5-20P	(6) 5-15R	2.1 x 17.3 x 3.8	\$368
EHBPL3000R-PDU1U	HotSwap Maintenance Bypass (MBP)	5P3000RT	L5-30P	(5) 5-20R	2.1 x 17.3 x 3.8	\$535

SOFTWARE AND CONNECTIVITY OPTIONS

Catalog Number	Description	For use with	List Price
Network-MS	Network Card-MS	All Models	\$385
Relay-MS	Relay / Serial Interface Card	All Models	\$138
116750224-001	Environmental Monitoring Probe	All Models (requires Network-MS)	\$304

See software and connectivity product sections for more detail.

EATON 5P UPS RACKMOUNT

(continued)

5P RACKMOUNT BATTERY BACKUP TIMES (in minutes)

UPS model	50	100	200	400	600	700	800	1000	1500	2500
5P550R	37	19	9	3						
5P750R		40	19	8	4					
5P850GR										
5P1000R		51	25	11	7	6				
5P1500R			47	20	12	10	8	5		
5P1550GR										
5P1500RT			56	26	15	11	9	7	3	
5P2200RT			59	33	20	16	13	8	4	
5P3000RT				41	27	22	18	14	9	4

Note: Runtimes are displayed in minutes. Runtimes are approximate and may vary with equipment, configuration, battery age, temperature, etc. View interactive runtime graphs at www.eaton.com/5Prm.

SERVICES

For detailed information on service plans, please refer to the Single-phase Service section on page 108.

EATON 5P UPS TOWER

Now featuring a 3-year warranty with product registration!

Line-interactive UPS (750–3000 VA)

- Helps save money and protect the environment through energy efficient operation (ENERGY STAR® qualified UPS)
- Enables you to customize UPS settings, view load and power consumption through the graphical interactive LCD screen interface
- Fully integrates with Intelligent Power Software Suite for continuous up time of servers and virtual machines
- Provides more real power (watts) to protect more equipment and leave room for expanding IT systems
- Extends battery service life by 50% with ABM Technology
- Warranty (US and Canada): Three-year limited warranty (third year of warranty free with online product registration), five-year extended warranty plans available, \$150,000 load protection guarantee



5P TOWER MODELS: 120V, 50/60 Hz

Catalog Number	Description	Rating (VA/Watts)	Input Connection	Output Receptacles	Dimensions (H x W x D, inches)	Weight (lb)	List Price
5P750	5P 750 VA 120V Tower	750/600	5-15P (6ft)	(8) 5-15R	9.1 x 5.9 x 13.6	24	\$486
5P1000	5P 1000 VA 120V Tower	1000/770	5-15P (6ft)	(8) 5-15R	9.1 x 5.9 x 13.6	25	\$687
5P1500	5P 1500 VA 120V Tower	1440/1100	5-15P (6ft)	(8) 5-15R	9.1 x 5.9 x 17.5	36	\$853
5P3000	5P 3000 VA 120V Tower	3000/2700	L5-30P (10 ft)	(6) 5-20R, (1) L5-30R	3.4 (2U) x 17.4 x 25.4	81	\$1,665

5P TOWER MODELS: 208/230V, 50/60 Hz

Catalog Number	Description	Rating (VA/Watts)	Input Connection	Output Receptacles	Dimensions (H x W x D, inches)	Weight (lb)	List Price
5P850G	5P 850 VA 208V Tower	850/600	C14	(6) C13	9.1 x 5.9 x 13.6	23	\$528
5P1550G	5P 1550 VA 208V Tower	1550/1100	C14	(8) C13	9.1 x 5.9 x 17.5	34	\$926

SOFTWARE AND CONNECTIVITY OPTIONS

Catalog Number	Description	For use with	List Price
Network-MS	Network Card-MS	All Models	\$385
Relay-MS	Relay / Serial Interface Card	All Models	\$138
116750224-001	Environmental Monitoring Probe	All Models (requires Network-MS)	\$304

See software and connectivity product sections for more detail.

5P TOWER BATTERY BACKUP TIMES (in minutes)

UPS model	50	100	200	400	600	700	800	1000	1500	2500
5P750		40	19	8	4					
5P850G										
5P1000		51	25	11	7	6				
5P1500			47	20	12	10	8	5		
5P1550G										
5P3000				41	27	22	18	14	9	4

Note: Runtimes are displayed in minutes. Runtimes are approximate and may vary with equipment, configuration, battery age, temperature, etc. View interactive runtime graphs at www.eaton.com/5P.

SERVICES

For detailed information on service plans, please refer to the Single-phase Service section on page 108.

EATON 5PX UPS RACK/TOWER

Extended Run Capable

Now featuring a
3-year warranty with
product registration!

Line-interactive UPS (1000–3000 VA)

The Eaton 5PX UPS provides advanced power conditioning and unparalleled battery backup for network closets and small data centers.

- Line-interactive topology with sine wave output
- Industry-leading efficiency of up to 99 percent
- Meters energy consumption down to the outlet segments
- Displays critical UPS information in a next-generation graphical LCD
- Protects more devices by providing up to 28 percent more wattage than traditional UPSs
- ABM technology extends battery life by 50 percent
- Extended available runtime by adding up to 4 EBMs
- Comes with free monitoring and management software, perfect for virtualized environments
- Hot-swappable batteries allow you to replace batteries while the UPS stays on
- Load segments enable shutdown of connected devices for increased runtime
- 4-post rail kit included (2-post rail kit optional)
- Warranty (US and Canada): Three-year limited warranty (third year of warranty free with online product registration), five-year extended warranty plans available, \$150,000 load protection guarantee



5PX NORTH AMERICAN MODELS: 120V, 50/60 Hz

Catalog Number	Description	Rating (VA/Watts)	Input Connection	Output Receptacles	Dimensions (H x W x D, inches)	Weight (lb)	List Price
5PX1000RT	Eaton 5PX 1000 VA 120V Rack / Tower 2U	1000/1000	5-15P (8ft)	(8) 5-15R	3.4 (2U) x 17.4 x 20.6	62	\$953
5PX1500RT	Eaton 5PX 1500 VA 120V Rack / Tower 2U	1440/1440	5-15P (8ft)	(8) 5-15R	3.4 (2U) x 17.4 x 20.6	65	\$1,246
5PX1500RTN	Eaton 5PX 1500 VA with Network Card-MS	1440/1440	5-15P (8ft)	(8) 5-15R	3.4 (2U) x 17.4 x 20.6	65	\$1,592
5PX2200RT	Eaton 5PX 2200 VA 120V Rack / Tower 2U	1950/1920	5-20P (8ft)	(4) 5-20R, (4) 5-15R	3.4 (2U) x 17.4 x 20.6	65	\$2,064
5PX2200RTN	Eaton 5PX 2200 VA with Network Card-MS	1950/1920	5-20P (8ft)	(4) 5-20R, (4) 5-15R	3.4 (2U) x 17.4 x 20.6	65	\$2,416
5PX3000RT2U	Eaton 5PX 3000 VA 120V Rack / Tower 2U	3000/2700	L5-30P (10ft)	(6) 5-20R, (1) L5-30R	3.4 (2U) x 17.4 x 25.4	87	\$2,434
5PX3000RTN	Eaton 5PX 3000 VA with Network Card-MS	3000/2700	L5-30P (10ft)	(6) 5-20R, (1) L5-30R	3.4 (2U) x 17.4 x 25.4	87	\$2,749
5PX3000RT3U	Eaton 5PX 3000 VA 120V Rack / Tower 3U	3000/2700	L5-30P (10ft)	(6) 5-20R, (1) L5-30R	5.1 (3U) x 17.4 x 19.6	86	\$2,531

5PX INTERNATIONAL MODELS: 208/230V, 50/60 Hz

Catalog Number	Description	Rating (VA/Watts)	Input Connection	Output Receptacles	Dimensions (H x W x D, inches)	Weight (lb)	List Price
5PX1500IRT	Eaton 5PX 1500 VA 208/230V Rack / Tower 2U	1500/1350	C14	(8) C13	3.4 (2U) x 17.4 x 20.6	61	\$1,407
5PX2200IRT	Eaton 5PX 2200 VA 208/230V Rack / Tower 2U	2200/1980	C20	(1) C19, (8) C13	3.4 (2U) x 17.4 x 20.6	63	\$2,379
5PX3000IRT2U	Eaton 5PX 3000 VA 208/230V Rack / Tower 2U	3000/2700	C20	(1) C19, (8) C13	3.4 (2U) x 17.4 x 25.4	84	\$2,757
5PX3000IRTN	Eaton 5PX 3000 VA with Network Card-MS	3000/2700	C20	(1) C19, (8) C13	3.4 (2U) x 17.4 x 25.4	84	\$3,073

5PX OPTIONS

Catalog Number	Description	Rating (VA)	For use with 5PX model	Dimensions (H x W x D, inches)	Weight (lb)	List Price	
Extended Battery Modules							
5PXEBM48RT	Eaton 5PX 48V EBM Rack / Tower 2U	48V	5PX1000RT, 5PX1500RT, 5PX2200RT	3.4 (2U) x 17.4 x 20.0	72	\$794	
5PXEBM72RT2U	Eaton 5PX 72V EBM Rack / Tower 2U	72V	5PX3000RT2U	3.4 (2U) x 17.4 x 25.5	102	\$1,165	
5PXEBM72RT3U	Eaton 5PX 72V EBM Rack / Tower 3U, short depth	72V	5PX3000RT3U	5.1 (3U) x 17.4 x 19.6	98	\$1,165	
Two-post rail kit							
103007018-5591	Two-post rack mounting rail kit (supports 2U models only)						\$107
Catalog Number	Description	For use with 5PX model	Input Connection	Output Receptacles	Dimensions (H x W x D, inches)	List Price	
Power distribution and maintenance bypass							
EHBPL1500R-PDU1U	HotSwap Maintenance Bypass (MBP)	5PX1000RT, 5PX1500RT	5-15P	(6) 5-15R	2.1 x 17.3 x 3.8	\$308	
EHBPL2000R-PDU1U	HotSwap Maintenance Bypass (MBP)	5PX2200RT	5-20P	(6) 5-15R	2.1 x 17.3 x 3.8	\$368	
EHBPL3000R-PDU1U	HotSwap Maintenance Bypass (MBP)	5PX3000RT2U, 5PX3000RT3U	L5-30P	(5) 5-20R	2.1 x 17.3 x 3.8	\$535	

For detailed information on FlexPDU and HotSwap Maintenance Bypass products, please refer to the Eaton Power Distribution and Enclosures section.

EATON 5PX UPS RACK/TOWER

Eaton series *(continued)*

SOFTWARE AND CONNECTIVITY OPTIONS

Catalog Number	Description	List Price
Network-MS	Network Card-MS	\$279

See software and connectivity product sections for more detail.

View interactive runtime graphs at www.eaton.com/5PX

5PX BATTERY BACKUP TIMES (in minutes)¹

Load (VA/Watts)	Internal Batteries	+1 EBM	+2 EBMs	+3 EBMs	+4 EBMs
5PX1000RT (with 5PXEBM48RT)					
100/70	120	462	796	1131	1466
250/175	69	286	490	695	899
500/350	30	145	254	364	473
750/525	17	83	151	219	286
1000/700	11	59	108	156	204
1000/1000 ²	7	39	71	103	135
5PX1500RT (with 5PXEBM48RT)					
150/105	81	334	550	765	981
375/262	43	187	315	442	569
750/525	18	87	150	214	277
1125/787	9	50	89	129	169
1440/1050	6	35	66	96	126
1440/1440 ²	3	21	41	62	82
5PX2200RT (with 5PXEBM48RT)					
195/136	71	274	465	656	847
488/341	39	154	270	385	501
975/682	16	67	123	179	236
1463/1045	8	36	67	93	128
1950/1365	5	26	48	65	93
2200/1920 ²	3	15	29	36	57
5PX3000RT2U or 5PX3000RT3U (with 5PXEBM72RT2U or 5PXEBM72RT3U)					
300/210	63	273	470	667	864
750/525	31	148	254	360	465
1500/1050	13	64	111	158	206
2250/1575	8	35	64	94	123
3000/2100	6	26	48	70	91
3000/2700 ²	4	19	35	52	68

1. Battery backup times are approximate and may vary with equipment, configuration, battery age, temperature, etc. International model runtimes are available; please visit www.eaton.com/5PX for details. 2. Runtimes shown at full load with maximum power factor.

SERVICES

For detailed information on service plans, please refer to the Single-phase Service section on page 108.

EATON EX UPS

Pulsar series

(this product was formerly known as the Pulsar and Pulsar M UPSs)

Online UPS (700–3000 VA)

Ideal protection for servers, data storage, network equipment, telephony, VoIP and medical equipment—industrial processes.

- True double-conversion
- Hot-swappable batteries
- Two load segments
- USB and RS-232 ports
- Rack/tower configurations provide versatility
- Four-post rail kit included with rack UPS (except where noted)
- Optional two-post rail kit



EX NORTH AMERICAN MODELS: 120V, 50/60 Hz

Catalog Number	Style Number	Description	Rating (VA/Watts)	Input Connection	Output Receptacles	Dimensions (H x W x D, inches)	Weight (lb)	List Price
PULSL700T	86700	120V TWR 0.7 kVA	700/630	5-15P	(4) 5-15R	9.52 x 6.00 x 17.31	25.7	\$823
PULSL1000T	86701	120V TWR 1 kVA	1000/900	5-15P	(4) 5-15R	9.52 x 6.00 x 17.31	33.0	\$990
PULSL1500T	86703	120V TWR 1.5 kVA	1500/1350	5-15P	(4) 5-15R	9.52 x 6.00 x 19.29	39.6	\$1,334
PULSL1000R-XL2U	86702	120V RT2U 1 kVA	1000/900	5-15P	(6) 5-15R	3.46 (2U) x 17.25 x 19.00	39.6	\$1,146
PULSL1500R-XL2U	86704	120V RT2U 1.5 kVA	1500/1350	5-15P	(6) 5-15R	3.46 (2U) x 17.25 x 19.00	45.2	\$1,520
PULSML2200-XL2U	86722	120V RT2U 2.2 kVA	2100/1650	5-20P	(6) 5-20R, (1) L5-20R	3.40 (2U) x 17.30 x 25.20	68.2	\$2,207
PULSML2200-XL3U	86723	120V RT3U 2.2 kVA	2100/1650	5-20P	(6) 5-20R, (1) L5-20R	5.14 (3U) x 17.30 x 19.29	70.0	\$2,207
PULSML3000-XL2U	86732	120V RT2U 3 kVA	3000/2550	L5-30P	(6) 5-20R, (1) L5-30R	3.40 (2U) x 17.30 x 25.20	70.0	\$2,760

EX INTERNATIONAL MODELS: 230V, 50/60 Hz

Catalog Number	Style Number	Description	Rating (VA/Watts)	Input Connection	Output Receptacles	Dimensions (H x W x D, inches)	Weight (lb)	List Price
PULSI1000T	68181	230V TWR 1 kVA	1000/900	IEC C14 (10A Socket)	(6) IEC C13 (10A)	9.52 x 6.00 x 17.31	33.0	\$1,050
PULSI1000R-XL2U	68182	230V RT2U 1 kVA	1000/900	IEC C14 (10A Socket)	(6) IEC C13 (10A)	3.46 (2U) x 17.25 x 19.00	39.6	\$1,207
PULSI1500R-XL2U	68184	230V RT2U 1.5 kVA	1500/1350	IEC C14 (10A Socket)	(6) IEC C13 (10A)	3.46 (2U) x 17.25 x 19.00	-	\$1,715
PULSMI2200-XL2U	68401	230V RT2U 2.2 kVA	2200/1980	IEC C20 (16A) or terminal block on 103007536-6591 PPDM	(8) IEC C13 (10A) (1) IEC C19 (16A)	3.39 (2U) x 17.32 x 25.20	68.3	\$2,268
PULSMI2200-XL3U*	68400	230V RT3U 2.2 kVA	2200/1980	IEC C20 (16A) or terminal block on 103007536-6591 PPDM	(8) IEC C13 (10A) (1) IEC C19 (16A)	5.16 (3U) x 17.32 x 19.29	66.1	\$2,268
PULSMI3000-XL2U	68403	230V RT2U 3 kVA	3000/2700	IEC C20 (16A) or terminal block on 103007536-6591 PPDM	(8) IEC C13 (10A) (1) IEC C19 (16A)	3.39 (2U) x 17.32 x 25.20	68.3	\$3,065
PULSMI3000-XL3U*	68402	230V RT3U 3 kVA	3000/2700	IEC C20 (16A) or terminal block on 103007536-6591 PPDM	(8) IEC C13 (10A) (1) IEC C19 (16A)	5.16 (3U) x 17.32 x 19.29	66.1	\$3,065

*Four-post rail kit not included

EX OPTIONS

Catalog Number	Style Number	Description	Dimensions (H x W x D, inches)	Weight (lb)	List Price
Extended Battery Modules					
PULSL1500T-EBM	86705	120V TWR EBM 1–1.5 kVA	9.52 x 6.00 x 17.32	46.3	\$643
PULSL1500R-EBM	86706	120V RT EBM 1-1.5 kVA	3.40 (2U) x 17.25 x 19.00	58.1	\$774
PULSI1500T-EBM	68185	230V TWR EBM 1–1.5 kVA	9.53 x 6.22 x 15.75	46.3	\$724
PULSI1500R-EBM	68186	230V RT EBM 1-1.5 kVA	3.41 (2U) x 17.32 x 18.9	58.1	\$835
PULSMI3000-EBM	68405	120/230V RT EBM 2–3 kVA	5.16 (3U) x 17.32 x 19.29	92.4	\$1,046
Optional Mounting Hardware					
PULSM-RAIL	68441	2U/3U Four-post rail kit	-	22.0	\$112
-	103007018-5591	Two-post rack mounting rail kit	-	-	\$107

Power distribution and maintenance bypass

For detailed information on FlexPDU and HotSwap Maintenance Bypass products, please refer to the Eaton Power Distribution and Enclosures section.

EATON EX UPS

Pulsar series (continued)

SOFTWARE AND CONNECTIVITY OPTIONS

Catalog Number	Description	List Price
Network-MS	Network Card-MS	\$385

See software and connectivity product sections for more detail.

View interactive runtime graphs at www.eaton.com/ex

EX BATTERY BACKUP TIMES (in minutes)

Load (VA/Watts)	Standard Internal Batteries	+1 EBM	+2 EBMs	+3 EBMs	+4 EBMs
EX 700					
70/49	71	-	-	-	-
140/98	36	-	-	-	-
210/147	25	-	-	-	-
280/196	20	-	-	-	-
350/245	16	-	-	-	-
420/294	12	-	-	-	-
490/343	10	-	-	-	-
560/392	8	-	-	-	-
630/441	6	-	-	-	-
700/490	5	-	-	-	-
EX 1000 / 1000 RT 2U					
100/70	75	290	490	790	980
200/140	40	170	290	440	550
300/210	28	125	210	310	390
400/280	21	92	180	240	310
500/350	18	75	150	205	250
600/420	14	60	110	170	220
700/490	11	52	90	145	190
800/560	9	43	78	125	170
900/630	7	40	70	112	155
1000/700	6	35	60	95	135
EX 1500 / 1500 RT 2U					
150/105	60	212	360	475	700
300/210	32	110	220	280	380
450/315	21	78	155	210	260
600/420	16	60	115	160	200
750/525	13	47	83	140	180
900/630	10	40	71	110	140
1050/735	8	34	60	90	118
1200/840	7	30	52	76	100
1350/945	6	27	48	70	90
1500/1050	5	24	42	62	80
EX 2200 RT 2U & 3U*					
220/154	90	352	587	831	1216
440/308	48	200	340	470	650
660/462	30	130	225	320	450
880/616	22	100	170	260	350
1100/770	16	80	135	215	286
1320/924	13	62	110	180	240
1540/1078	10	50	95	150	200
1760/1232	8	42	80	125	170
1980/1386	7	36	65	110	152
2200/1540	6	30	51	83	134

EATON EX UPS**Pulsar series (continued)****EX BATTERY BACKUP TIMES (in minutes) (continued)**

Load (VA/Watts)	Standard Internal Batteries	+1 EBM	+2 EBMs	+3 EBMs	+4 EBMs
EX 3000 RT 2U & 3U**					
300/210	79	254	454	549	847
600/420	40	130	255	290	445
900/630	25	80	160	205	290
1200/840	18	60	120	162	230
1500/1050	14	48	102	129	187
1800/1260	12	38	82	103	150
2100/1470	9	32	72	86	125
2400/1680	7	27	58	73	100
2700/1890	6	22	50	64	82
3000/2100	5	18	36	47	70
EX 3000 RT 3U XL***					
300/210	-	175	375	549	768
600/420	-	90	215	290	405
900/630	-	55	135	205	265
1200/840	-	42	102	162	212
1500/1050	-	34	88	129	173
1800/1260	-	26	70	103	138
2100/1470	-	23	63	86	116
2400/1680	-	20	51	73	93
2700/1890	-	16	44	64	76
3000/2100	-	13	31	47	65

* Output power rating = 1650W ** Standard configuration power rating = 2550W, with EBM = 2100W *** Output power rating = 2150W up to 12 EBMs can be added for extended runtime of 196–1909 minutes

Note: Backup times are approximate and may vary with equipment, configuration, battery age, temperature, etc.

The Eaton EX has a 0.9 power factor, but runtimes are shown here at 0.7 power factor for easy comparison against competitor's products, which have a 0.7 power factor.

SERVICES

For detailed information on service plans, please refer to the Single-phase Service section on page 108.

EATON 9130 UPS RACKMOUNT

Powerware series

Online UPS (700–3000 VA)

The Eaton 9130 UPS delivers online power quality and scalable battery runtimes for servers, voice and data networks, storage systems and other IT equipment.

- 4-post rail kit (2-post rail kit optional) . UPS unit designed to fit in 19 inch racks
- Fully integrates with Intelligent Power Software Suite for continuous up time of servers and virtual machines. (Included)
- Provides up to 28% more real power (watts) to protect more equipment and leave room for expanding IT systems with a 0.9 power factor
- Simplifies UPS monitoring and management with a bright LCD user interface, intuitive power management software and optional eNotify Remote Monitoring service
- Increases battery service life and system uptime up to 50% with ABM battery-charging technology and hot-swappable batteries
- Maximizes runtimes with optional extended battery modules
- Warranty (US and Canada): Two-year limited warranty, extended warranty, Onsite Flex and Onsite PowerTrust service plans



9130 NORTH AMERICAN RACK MODELS: 120V, 50/60 Hz

Catalog Number	Description	Rating (VA/Watts)	Input Connection ¹	Output Receptacles	Dimensions (H x W x D, inches)	Weight (lb)	List Price
PW9130L700R-XL2U	9130 700 120V RACK	700/630	5-15P	(6) 5-15R	3.4 (2U) x 17.3 x 16.9	35.3	\$1,010
PW9130L1000R-XL2U	9130 1000 120V RACK	1000/900	5-15P	(6) 5-15R	3.4 (2U) x 17.3 x 16.9	35.3	\$1,277
PW9130L1500R-XL2U	9130 1500 120V RACK	1500/1350	5-15P	(6) 5-15R	3.4 (2U) x 17.3 x 16.9	43.0	\$1,870
PW9130L1500R-XL2UN	9130 1500 120V RACK with Network Card-MS	1500/1350	5-15P	(6) 5-15R	3.4 (2U) x 17.3 x 16.9	43.0	\$2,226
PW9130L2000R-XL2U	9130 2000 120V RACK	2000/1800	5-20P	(6) 5-20R, (1) L5-20R	3.4 (2U) x 17.3 x 22.6	63.9	\$2,224
PW9130L2000R-XL2UN	9130 2000 120V RACK with Network Card-MS	2000/1800	5-20P	(6) 5-20R, (1) L5-20R	3.4 (2U) x 17.3 x 22.6	63.9	\$2,565
PW9130L2500R-XL2U	9130 2500 120V RACK	2500/2250	L5-30P	(6) 5-20R, (1) L5-30R	3.4 (2U) x 17.3 x 22.6	65.0	\$2,745
PW9130L3000R-XL2U	9130 3000 120V RACK	3000/2700	L5-30P	(6) 5-20R, (1) L5-30R	3.4 (2U) x 17.3 x 22.6	65.0	\$3,636
PW9130L3000R-XL2UN	9130 3000 120V RACK with Network Card-MS	3000/2700	L5-30P	(6) 5-20R, (1) L5-30R	3.4 (2U) x 17.3 x 22.6	65.0	\$3,992

9130 GLOBAL RACK MODELS: 208V, 50/60 Hz

Catalog Number	Description	Rating (VA/Watts)	Input Connection ¹	Output Receptacles	Dimensions (H x W x D, inches)	Weight (lb)	List Price
PW9130G3000R-XL2U	9130 3000G RACK	3000/2700	L6-20P ²	(1) L6-30R, (1) L6-20R, (2) 6-20R	3.4 (2U) x 17.3 x 22.6	65.0	\$3,524
PW9130G3000R-XL2UEU	9130 3000G EU RACK	3000/2700	L6-20P ²	(8) C13, (1) C19	3.4 (2U) x 17.3 x 22.6	65.0	\$3,524

1. Input cord length is 6 ft

2. C20, w/detachable L6-20P cord

9130 INTERNATIONAL RACK MODELS: 230V, 50/60 Hz

Catalog Number	Description	Rating (VA/Watts)	Input Connection ¹	Output Receptacles	Dimensions (H x W x D, inches)	Weight (lb)	List Price
PW9130i1000R-XL2U	9130 1000 230V RACK	1000/900	C14	(6) C13	3.4 (2U) x 17.3 x 16.9	35.3	\$1,328
PW9130i1500R-XL2U	9130 1500 230V RACK	1500/1350	C14	(6) C13	3.4 (2U) x 17.3 x 16.9	43.0	\$1,901
PW9130i2000R-XL2U	9130 2000 230V RACK	2000/1800	C14	(8) C13, (1) C19	3.4 (2U) x 17.3 x 22.6	63.9	\$2,254
PW9130i3000R-XL2U	9130 3000 230V RACK	3000/2700	C20	(8) C13, (1) C19	3.4 (2U) x 17.3 x 22.6	65.0	\$3,524

1. Input cord length is 6 ft

EATON 9130 UPS RACKMOUNT

Powerware series (continued)

9130 RACK OPTIONS

Catalog Number	Style Number	Description	Input Connection	Output Receptacles	Dimensions (H x W x D, inches)	Weight (lb)	List Price
Extended Battery Modules							
PW9130N1000R-EBM2U ¹	–	PW9130 700/1000 EBM Rack	–	–	3.4 (2U) x 17.3 x 16.9	48.7	\$753
PW9130N1500R-EBM2U ²	–	PW9130 1500 EBM Rack	–	–	3.4 (2U) x 17.3 x 16.9	62.0	\$753
PW9130N3000R-EBM2U ³	–	PW9130 2000/2500/3000 EBM Rack	–	–	3.4 (2U) x 17.3 x 22.6	90.6	\$887
PowerPass[®] Distribution Modules (PPDMs)							
EPPDMG3000R-2U-1 ⁵	103007535-6591	PPDM1-HV-US-P2 3 kVA	IEC320-C20 ⁴	(1) L5-30R & (6) 5-20R	3.5 (2U) x 17.0 x 23.9	76.0	\$1,040
EPPDMG3000R-2U-HW ⁵	103007536-6591	PPDM1-HV-US-HW 3 kVA (ROHS)	Hardwire	Hardwire	3.5 (2U) x 17.0 x 23.9	76.0	\$1,040
EPPDML3000R-2U-HW ⁵	103007537-6591	PPDM2-LV-US-HW 3 kVA (ROHS)	Hardwire	Hardwire	3.5 (2U) x 17.0 x 23.9	20.0	\$831
EPPDML3000R-2U-4 ⁶	103006843-6591	PPDM2-LV-US-P1 3 kVA	L5-30P ⁴	(1) L5-30R & (6) 5-20R	3.5 (2U) x 17.0 x 23.9	20.0	\$831
–	103002731-6591 ⁵	PPDM1-HV-US-P3 3 kVA	C20	(6) 5-20R	3.5 (2U) x 17.0 x 23.9	76.0	\$1,040
Two-post rail kit							
103007018-5591		Two-post rack mounting rail kit (supports 2U models only; 3 kVA PPDM not supported)			-	-	\$107
Power distribution and maintenance bypass							
EHBPL1500R-PDU1U ⁷	-	HotSwap Maintenance Bypass (MBP)	5-15P	(6) 5-15R	2.1 (2U) x 17.3 x 3.8	-	\$308
EHBPL2000R-PDU1U ⁸	-	HotSwap Maintenance Bypass (MBP)	5-20P	(6) 5-15R	2.1 (2U) x 17.3 x 3.8	-	\$368
EHBPL3000R-PDU1U ⁹	-	HotSwap Maintenance Bypass (MBP)	L5-30P	(5) 5-20R	2.1 (2U) x 17.3 x 3.8	-	\$535

For detailed information on FlexPDU and HotSwap Maintenance Bypass products, please refer to the Eaton Power Distribution and Enclosures section.

1. This EBM works with 700/1000 VA models, where available

2. This EBM works with 1500 VA model

3. This EBM works with 2000/2500/3000 VA models, where available

4. Connection cables to the UPS are included with the PPDM; use the input cord from the UPS as input to the PPDM, except for hardwire units

5. These PPDMs work with the following 9130 models: PW9130G3000R-XL2UEU and PW9130I3000R-XL2U.

6. These PPDMs work with the following 9130 models: PW9130L2500R-XL2U and PW9130L3000R-XL2U.

7. This HotSwap MBP works with the following 9130 models: PW9130L700R-XL2U, PW9130L1000R-XL2U, PW9130L1500R-XL2U

8. This HotSwap MBP works with the following 9130 model: PW9130L2000R-XL2U

9. This HotSwap MBP works with the following 9130 models: PW9130L2500R-XL2U, PW9130L3000R-XL2U

SOFTWARE AND CONNECTIVITY OPTIONS

Catalog Number	Description	List Price
Network-MS	Network Card-MS	\$385

See software and connectivity product sections for more detail.

SERVICES

For detailed information on service plans, please refer to the Single-phase Service section on page 108.

EATON 9130 UPS RACKMOUNT

Powerware series (continued)

View interactive runtime graphs
at www.eaton.com/9130rm

9130 RACK MODELS BATTERY BACKUP TIMES (in minutes) @ 0.7 Power Factor*

VA/Watts	Internal Batteries	+1EBM	+2 EBMs	+3 EBMs	+4 EBMs
PW9130L700R-XL2U					
700/490	14	55	102	148	175
525/368	20	77	140	179	239
350/245	32	124	189	282	414
175/123	64	200	395	552	739
PW9130L1000R-XL2U					
1000/700	10	40	73	108	149
750/525	13	58	101	152	219
500/350	24	85	172	249	304
250/175	48	190	310	451	569
PW9130i1000R-XL2U					
1000/700	10	40	78	110	150
750/525	13	55	103	151	223
500/350	22	82	186	250	312
250/175	47	190	328	431	584
PW9130L1500R-XL2U					
1500/1050	7	34	63	88	135
1125/788	11	44	84	129	210
750/525	18	79	148	207	267
375/263	38	167	278	475	540
PW9130i1500R-XL2U					
1500/1050	7	32	61	98	128
1125/788	11	47	83	126	195
750/525	18	81	143	208	262
375/263	38	171	298	416	564
PW9130L2000R-XL2U					
2000/1400	9	45	86	124	163
1500/1050	14	66	115	165	225
1000/700	26	101	185	251	343
500/350	52	197	353	481	629
PW9130i2000R-XL2U					
2000/1400	9	46	83	118	163
1500/1050	13	64	118	170	221
1000/700	25	95	190	242	345
500/350	53	205	346	488	625
PW9130L2500R-XL2U					
2500/2250	7	31	59	87	119
1875/1688	10	43	81	121	154
1250/1125	17	65	120	163	203
625/563	40	145	228	363	491
PW9130L3000R-XL2U					
3000/2100	5	25	48	72	100
2250/1575	8	37	72	102	137
1500/1050	13	60	100	165	223
750/525	34	138	228	326	438
PW9130G3000R-XL2U / PW9130G3000R-XL2UEU / PW9130i3000R-XL2U					
3000/2100	6	25	45	68	96
2250/1575	8	34	70	96	130
1500/1050	14	62	92	156	211
750/525	34	130	212	355	442

*Battery backup times are approximate and may vary with equipment, configuration, battery age, temperature, etc. The 9130 has a 0.9 power factor, but runtimes are shown here at 0.7 power factor for easy comparison against competitors' products, which have a 0.7 power factor.

EATON 9130 UPS TOWER

Powerware series

Online UPS (700–3000 VA)

The Eaton 9130 UPS delivers online power quality and scalable battery runtimes for servers, voice and data networks, storage systems and other IT equipment.

- Cuts energy usage and costs with >95% efficiency rating in high efficiency mode
- Displays critical UPS information on a bright lit, configurable LCD screen
- Ships with free monitoring and management software, perfect for virtualized environments
- True tower form factor
- Provides up to 22% more real power (watts) to protect more equipment and leave room for expanding IT systems with a 0.9 power factor
- Increases battery service life and system uptime up to 50% with ABM battery-charging technology and hot-swappable batteries
- Maximizes runtimes with optional extended battery modules (compatible with all units except the 700 VA tower models)
- Warranty (US and Canada): Two-year limited warranty, extended warranty, Onsite Flex and Onsite PowerTrust service plans



9130 NORTH AMERICAN TOWER MODELS: 120V, 50/60 Hz

Catalog Number	Description	Rating (VA/Watts)	Input Connection ¹	Output Receptacles	Dimensions (H x W x D, inches)	Weight (lb)	List Price
PW9130L700T	PW9130 700 120V TOWER	700/630	5-15P	(6) 5-15R	9.1 x 6.3 x 13.9	26.5	\$951
PW9130L1000T-XL	PW9130 1000 120V TOWER	1000/900	5-15P	(6) 5-15R	9.1 x 6.3 x 15.1	30.9	\$1,227
PW9130L1500T-XL	PW9130 1500 120V TOWER	1500/1350	5-15P	(6) 5-15R	9.1 x 6.3 x 17.0	41.8	\$1,692
PW9130L2000T-XL	PW9130 2000 120V TOWER	2000/1800	5-20P	(1) L5-20, (4) 5-20R	12.8 x 8.4 x 16.2	77.2	\$2,146
PW9130L3000T-XL	PW9130 3000 120V TOWER	3000/2700	L5-30P	(4) 5-20R, (1) L5-30R	12.8 x 8.4 x 16.2	77.2	\$3,361

1. Input cord length is 6 ft

9130 GLOBAL TOWER MODELS: 208V, 50/60 Hz

Catalog Number	Description	Rating (VA/Watts)	Input Connection ¹	Output Receptacles	Dimensions (H x W x D, inches)	Weight (lb)	List Price
PW9130G2000T-XL	PW9130 2000G TOWER	2000/1800	L6-20P ²	(1) L6-20R, (4) 6-20R	12.8 x 8.4 x 16.2	77.2	\$2,136
PW9130G2000T-XLEU	PW9130 2000G EU TOWER	2000/1800	L6-20P ²	(8) C13, (1) C19	12.8 x 8.4 x 16.1	76.1	\$2,136
PW9130G3000T-XL	PW9130 3000G TOWER	3000/2700	L6-20P ³	(1) L6-30R, (1) L6-20R, (2) 6-20R	12.8 x 8.4 x 16.2	77.2	\$3,334
PW9130G3000T-XLEU	PW9130 3000G EU TOWER	3000/2700	L6-20P ³	(8) C13, (1) C19	12.8 x 8.4 x 16.2	77.2	\$3,334

1. Input cord length is 6 ft

2. C14, w/detachable 6' L6-20P cord

3. C20, w/detachable L6-20P

9130 INTERNATIONAL TOWER MODELS: 230V, 50/60 Hz

Catalog Number	Description	Rating (VA/Watts)	Input Connection ¹	Output Receptacles	Dimensions (H x W x D, inches)	Weight (lb)	List Price
PW9130i700T	PW9130 700 230V TOWER	700/630	C14	(6) C13	9.1 x 6.3 x 13.9	26.5	\$931
PW9130i1000T-XL	PW9130 1000 230V TOWER	1000/900	C14	(6) C13	9.1 x 6.3 x 15.1	30.9	\$1,115
PW9130i1500T-XL	PW9130 1500 230V TOWER	1500/1350	C14	(6) C13	9.1 x 6.3 x 17.0	41.8	\$1,650
PW9130i2000T-XL	PW9130 2000 230V TOWER	2000/1800	C14	(8) C13, (1) C19	12.8 x 8.4 x 16.2	77.2	\$2,177
PW9130i3000T-XL	PW9130 3000 230V TOWER	3000/2700	C20	(8) C13, (1) C19	12.8 x 8.4 x 16.2	77.2	\$3,225

1. Input cord length is 6 ft

9130 OPTIONS

Catalog Number	Description	Dimensions (H x W x D, inches)	Weight (lb)	List Price
Extended Battery Modules				
PW9130N1000T-EBM ¹	PW9130 1000 EBM Tower	9.1 x 6.3 x 15.1	41.8	\$623
PW9130N1500T-EBM ²	PW9130 1500 EBM Tower	9.1 x 6.3 x 17.0	52.9	\$785
PW9130N3000T-EBM ³	PW9130 2000/3000 EBM Tower	12.8 x 8.4 x 16.2	110.2	\$898

1. This EBM works with 1000 VA model

2. This EBM works with 1500 VA model

3. This EBM works with 2000/3000 VA models

SOFTWARE AND CONNECTIVITY OPTIONS

Catalog Number	Description	List Price
Network-MS	Network Card-MS	\$385

See software and connectivity product sections for more detail.

EATON 9130 UPS TOWER

Powerware series (continued)

View interactive runtime graphs at www.eaton.com/9130

9130 TOWER MODELS BATTERY BACKUP TIMES (in minutes) @ 0.7 Power Factor*

VA/Watts	Internal Batteries	+1EBM	+2 EBMs	+3 EBMs	+4 EBMs
PW9130L700T					
700/490	8	N/A	N/A	N/A	N/A
525/368	12	N/A	N/A	N/A	N/A
350/245	21	N/A	N/A	N/A	N/A
175/123	37	N/A	N/A	N/A	N/A
PW9130i700T					
700/490	8	N/A	N/A	N/A	N/A
525/368	12	N/A	N/A	N/A	N/A
350/245	19	N/A	N/A	N/A	N/A
175/123	35	N/A	N/A	N/A	N/A
PW9130L1000T-XL					
1000/700	10	40	73	108	149
750/525	13	58	101	152	219
500/350	24	85	172	249	304
250/175	48	190	310	451	569
PW9130i1000T-XL					
1000/700	10	40	78	110	150
750/525	13	55	103	151	223
500/350	22	82	186	250	312
250/175	47	190	328	431	584
PW9130L1500T-XL					
1500/1050	7	34	63	88	135
1125/788	11	44	84	129	210
750/525	18	81	143	208	262
375/263	38	171	298	416	564
PW9130i1500T-XL					
1500/1050	7	32	61	88	135
1125/788	11	47	83	126	195
750/525	18	81	143	208	262
375/263	38	171	298	416	564
PW9130L2000T-XL					
2000/1400	15	61	111	156	194
1500/1050	21	81	145	184	269
1000/700	34	129	198	193	410
500/350	72	225	449	590	766
PW9130G2000T-XL / XLEU / PW9130i2000T-XL					
2000/1400	15	61	111	156	186
1500/1050	21	81	145	184	248
1000/700	34	129	198	293	410
500/350	72	225	449	590	766
PW9130L3000T-XL					
3000/2100	9	35	66	95	132
2250/1575	13	53	100	139	183
1500/1050	22	86	153	221	267
750/525	69	168	298	395	545
PW9130G3000T-XL / XLEU / PW9130i3000T-XL					
3000/2100	9	36	68	101	137
2250/1575	12	49	90	134	165
1500/1050	20	79	143	180	240
750/525	46	161	267	434	547

*Battery backup times are approximate and may vary with equipment, configuration, battery age, temperature, etc. The 9130 has a 0.9 power factor, but runtimes are shown here at 0.7 power factor for easy comparison against competitors' products, which have a 0.7 power factor.

SERVICES
 For detailed information on service plans, please refer to the Single-phase Service section on page 108.

EATON 9PX SP UPS RACK/TOWER SPLIT-PHASE

6-10 kVA Split-phase

Delivering premium backup power and scalable battery runtimes for servers, voice/data networks and storage systems, the Eaton 9PX SP UPS is the ideal solution for both rack and stand-alone installations. With an advanced LCD screen interface and robust power management software, managing a UPS has never been easier with the 9PX—even in virtualized environments.



- SP models offer both 120 and 208 output without a transformer saving, u space, weight and cost
- Graphical LCD screen enables you to customize UPS settings, diagnose UPS alarms and view load and power consumption
- Provides more real power (watts) to protect more equipment and leave room for expanding IT systems
- Delivers added runtime with extended battery modules and extends battery service life by 50% with ABM Technology
- Virtualization-ready UPS includes connectivity card
- Cuts energy usage and costs with 93% efficiency rating in default, online mode
- Maximizes availability with extended battery runtime options, hot-swappable batteries, internal bypass and optional maintenance bypass
- Fully integrates with Intelligent Power Software Suite for continuous up time of servers and virtual machines. (Included)
- 4-post rail kit included (2-post rail kit optional for 9PX6KSP)
- Warranty (US and Canada): Two-year limited warranty, five-year extended warranty plans available, \$250,000 load protection guarantee

9PX SP 6-10 kVA RACK/TOWER: 120/208 or 120/240** OUTPUT, 50/60 Hz, SPLIT-PHASE

Catalog Number	Description	Rating (VA/Watts)	Input Connection	Output Receptacles	Dimensions (H x W x D, inches)	Weight (lb)	List Price
9PX6KSP	6kVA 9PX SP UPS	5500/4900****	L14-30P***	(1) L14-30R, (1) L6-30R, (6) 5-20R, Hardwired	6.8 (4U) x 17.3 x 25.6	157.3	\$7,329
9PX8KSP	8kVA 9PX SP UPS	8000/7200	Hardwired	(2) L14-30R, (1) L6-30R, Hardwired	10.3 (6U) x 17.3 x 27.6	225.0	\$9,646
9PX10KSP	10kVA 9PX SP UPS	10000/9000	Hardwired	(2) L14-30R, (1) L6-30R, Hardwired	10.3 (6U) x 17.3 x 27.6	225.0	\$11,800

UPS and EBM ship with a 4-post rail kit, 9RK *Terminal block with L14-30P cord **** 6K models derated at 100/200, 120/208, 110/220V (see technical specs)

9PX SPLIT-PHASE OPTIONS

Catalog Number	Description	Input Connection	Output Receptacles	Dimensions (H x W x D, inches)	Weight (lb)	List Price
Extended runtime						
9PXEBM240SP	6K SP EBM (add up to 4 EBMs), Use with 9PX6KSP UPS			5.1 (3U) x 17.3 x 26.6	132	\$1,588
EBMCBL240SP	9PX EBM Cable Extension 6kVA Split-Phase, 6ft				\$358	
9PXEBM360SP	8/10K EBM (add up to 4 EBMs) Use with 9PX8KSP, 9PX10KSP UPS			5.1 (3U) x 17.3 x 25.4	163	\$1,588
EBMCBL360SP	9PX EBM Cable Extension 8/10kVA Split-Phase, 6ft				\$358	
Power distribution						
PW105BA2U420	Basic ePDU for additional output receptacles. 2U form factor.	L6-30P	(4) L6-20R	3.5 (2U) x 19.0 x 6.0		\$736
PW105BA0U421	Basic ePDU for additional output receptacles. 0U form factor.	L14-30P	(24) 5-20R	66.0 (0U) x 1.89 x 2.0		\$762
PW105BA2U422	Basic ePDU for additional output receptacles. 2U form factor.	L14-30P	(4) L6-20R	3.5 (2U) x 19.0 x 6.0		\$826
ePBZ79	Basic ePDU for additional output receptacles. 1U form factor.	L6-30P	(16) C13 and (4) C19	1.7 (1U) x 17.0 x 5.1		\$329
CBL139	Splitter Cable L14-30P to (2) L6-30R (4ft/2ft)	L14-30P	(2) L6-30R			\$201
CBL143	Splitter Cable L14-30P to (2) L5-30R (4ft/2ft)	L14-30P	(4) L5-30R			\$201
Mounting Hardware (all modules include 4-post rail kits)						
RK2PC	2-post rack mounting rail kit, works with 9PX6K UPS ONLY					\$111
BINTSYS	Battery integration system - vertical mounting platform with wheels			7.9 x 20.5 x 31.5	30	\$546

SERVICES

For detailed information on service plans, please refer to the Single-phase Service section on page 108.

EATON 9PX SP UPS RACK/TOWER SPLIT-PHASE (continued)

9PX 6 kVA BATTERY BACKUP TIMES (in minutes)**

Load (Watts)	Internal Batteries	+1 EBM	+2 EBMs	+3 EBMs	+4 EBMs
100%	6	16	29	44	61
90%	7	18	32	48	68
80%	8	21	38	56	78
70%	10	25	44	66	90
60%	12	31	53	79	109
50%	15	38	66	96	133
40%	20	49	82	124	195
30%	27	68	113	198	259

9PX 11 kVA BATTERY BACKUP TIMES (in minutes)**

Load (Watts)	Internal Batteries	+1 EBM	+2 EBMs	+3 EBMs	+4 EBMs
9000	5	13	22	33	47
8100	6	15	25	38	52
7200	7	17	30	44	61
6300	8	20	35	51	71
5400	9	24	43	62	86
4500	12	30	53	77	105
3600	16	40	68	99	135
2700	23	55	95	148	193

** Runtimes shown at full load with maximum power factor, are approximate and may vary with equipment, configuration, battery age, temperature, etc. View interactive runtime graphs at www.eaton.com/9PX

EATON 9PX UPS RACK/TOWER

5-6 kVA Bundles

Delivering premium backup power and scalable battery runtimes for servers, voice/data networks and storage systems, the Eaton 9PX UPS is the ideal solution for both rack and stand-alone installations. With an advanced LCD screen interface and robust power management software, managing a UPS has never been easier with the 9PX—even in virtualized environments.



- Graphical LCD screen enables you to customize UPS settings, diagnose UPS alarms and view load and power consumption
- Provides more real power (watts) to protect more equipment and leave room for expanding IT systems
- Delivers added runtime with extended battery modules and extends battery service life by 50% with ABM Technology
- Virtualization-ready UPS includes connectivity card
- Cuts energy usage and costs with 93% efficiency rating in default, online mode
- Maximizes availability with extended battery runtime options, hot-swappable batteries, internal bypass and optional maintenance bypass
- Fully integrates with Intelligent Power Software Suite for continuous up time of servers and virtual machines. (Included)
- 4-post rail kit included (2-post rail kit optional)
- Warranty (US and Canada): Two-year limited warranty, five-year extended warranty plans available, \$250,000 load protection guarantee

9PX 5-6 kVA RACK/TOWER: 208/230V* OUTPUT, 50/60 Hz BUNDLES

Catalog Number	Description	Rating (VA/Watts)	Input Connection ¹	Output Receptacles	Dimensions (H x W x D, inches)	Weight (lb)	List Price
9PX5K	5 kVA 9PX UPS	5000/4500	Terminal block with L6-30P cord	Hardwired + (2) L6-30R, (2) L6-20R	5.1 (3U) x 17.3 x 28.4	106	\$5,624
9PX6K**	6 kVA 9PX UPS	6000/5400	Terminal block with L6-30P cord	Hardwired + (2) L6-30R, (2) L6-20R	5.1 (3U) x 17.3 x 28.4	106	\$6,216
9PX6KG**	6 kVA 9PX UPS Global	6000/5400	Hardwired	Hardwired + (2) C19, (8) C13	5.1 (3U) x 17.3 x 27.0	106	\$6,216

* 9PX 5K, 6K operate at 200, 208 (default), 220, 230, 240V ** 6K models derated at 200, 208, 220V (see technical specs)

9PX 5-6 kVA RACK/TOWER: 120/208/230V** OUTPUT, 50/60 Hz BUNDLES

Catalog Number	Description	Rating (VA/Watts)	Input Connection	Output Receptacles	Dimensions (H x W x D, inches)	Weight (lb)	List Price
9PX5KTF5	5 kVA 9PX UPS and 5 kVA Transformer	5000/4500	Terminal block with L6-30P cord	(1) L6-30R, (2) L6-20R, (18) 5-20R	10.2 (6U) x 17.3 x 28.4	201	\$6,577
9PX5KP1***	5 kVA 9PX UPS and 6 kVA PPDm*	5000/4500	L6-30P	(1) L14-30R, (1) L6-30R, (6) 5-20R	10.2 (6U) x 17.3 x 28.4	203	\$6,661
9PX5KP2***	5 kVA 9PX UPS and 6 kVA PPDm*	5000/4500	Hardwired	Hardwired	10.2 (6U) x 17.3 x 28.4	201	\$6,661
9PX6KTF5	6 kVA 9PX UPS and 5 kVA Transformer	6000/5400	Terminal block with L6-30P cord	(1) L6-30R, (2) L6-20R, (18) 5-20R	10.2 (6U) x 17.3 x 28.4	201	\$7,237
9PX6KP1***	6 kVA 9PX UPS and 6 kVA PPDm*	6000/5400	L6-30P	(1) L14-30R, (1) L6-30R, (6) 5-20R	10.2 (6U) x 17.3 x 28.4	203	\$7,330
9PX6KP2***	6 kVA 9PX UPS and 6 kVA PPDm*	6000/5400	Hardwired	Hardwired	10.2 (6U) x 17.3 x 28.4	201	\$7,330

* PPDm provides external, wrap-around maintenance bypass ** 9PX 5K, 6K operates at 200, 208 (default), 220, 230, 240V *** 6K models derated at 200, 208, 220V (see technical specs)

9PX OPTIONS

Catalog Number	Description	Input Connection	Output Receptacles	Dimensions (H x W x D, inches)	Weight (lb)	List Price
Extended runtime						
9PXEBM180RT	5/6 kVA EBM (add up to 4 EBMs), Cable is 18" in length			5.1 (3U) x 17.3 x 25.4	150	\$1,567
EBMCBL180	6-foot battery extension cable for EBM					\$160
CBLADAPT180	Adapter cable from Eaton 9135/MX UPS or EBM to 5/6 kVA 9PX UPS models					\$135
Mounting Hardware (all modules include 4-post rail kits)						
RK2PC	2-post rack mounting rail kit					\$112
BINTSYS	Battery integration system - vertical mounting platform with wheels			7.9 x 20.5 x 31.5	30	\$547
Power distribution and maintenance bypass						
MBP6K208	Rear-mount 3U, 208V maintenance bypass for 5 and 6 kVA 9PX UPS models	Hardwired	Hardwired + (2) L6-30R			\$608
PW105BA2U420	Basic ePDU for additional output receptacles. 2U form factor.	L6-30P	(4) L6-20R	3.5 (2U) x 19.0 x 6.0		\$737
PW105BA0U421	Basic ePDU for additional output receptacles. 0U form factor.	L14-30P	(24) 5-20R	66.0 (0U) x 1.89 x 2.0		\$762

EATON 9PX UPS RACK/TOWER (continued)

9PX OPTIONS (continued)

Catalog Number	Description	Rating (VA/Watts)	Input Connection	Output Receptacles	Dimensions (H x W x D, inches)	Weight (lb)	List Price
Power distribution and maintenance bypass (continued)							
PW105BA2U422	Basic ePDU for additional output receptacles. 2U form factor.		L14-30P	(4) L6-20R	3.5 (2U) x 19.0 x 6.0		\$826
ePBZ79	Basic ePDU for additional output receptacles. 1U form factor.		L6-30P	(16) C13 and (4) C19	1.7 (1U) x 17.0 x 5.1		\$330
Transformer accessories*							
9PXTFMR5	9PX 5 kVA stepdown transformer	5000	L6-30P	(18) 5-20R	5.1 (3U) x 17.3 x 25.4	95	\$1,120
9PXPPDM1	9PX PowerPass Distribution Module (plug-and-play)	6000	L6-30P	(1) L14-30R, (1) L6-30R, (6) 5-20R	5.1 (3U) x 17.3 x 25.4	97	\$1,278
9PXPPDM2	9PX PowerPass Distribution Module (Hardwired)	6000	Hardwired	Hardwired	5.1 (3U) x 17.3 x 25.4	95	\$1,278

* These transformer accessories may be ordered a la cart but for best pricing they should be purchased as bundled solution.

9PX BATTERY BACKUP TIMES (in minutes)**

Load (Watts)	Internal Batteries	+1 EBM	+2 EBMs	+3 EBMs	+4 EBMs
5400	3.0	16	28	47	58
4050	4.5	24	45	62	90
2700	8.5	38	71	104	133
1350	22.0	85	147	214	287
540	57.0	203	399	554	755

** Runtimes shown at full load with maximum power factor, are approximate and may vary with equipment, configuration, battery age, temperature, etc. View interactive runtime graphs at www.eaton.com/9PX

SERVICES

For detailed information on service plans, please refer to the Single-phase Service section on page 108.

EATON 9PX UPS RACK/TOWER

8-11 kVA Bundles

Delivering premium backup power and scalable battery runtimes for servers, voice/data networks and storage systems, the Eaton 9PX UPS is the ideal solution for both rack and stand-alone installations. With an advanced LCD screen interface and robust power management software, managing a UPS has never been easier with the 9PX—even in virtualized environments.

- Graphical LCD screen enables you to customize UPS settings, diagnose UPS alarms and view load and power consumption
- Provides more real power (watts) to protect more equipment and leave room for expanding IT systems
- Delivers added runtime with extended battery modules and extends battery service life by 50% with ABM Technology
- Virtualization-ready UPS includes connectivity card
- Cuts energy usage and costs with 94% efficiency rating in default, online mode
- Maximizes availability with extended battery runtime options, hot-swappable batteries, internal bypass and optional maintenance bypass
- Fully integrates with Intelligent Power Software Suite for continuous up time of servers and virtual machines. (Included)
- 4-post rail kit included
- Warranty (US and Canada): Two-year limited warranty, five-year extended warranty plans available, \$250,000 load protection guarantee



9PX RACK/TOWER: 208/230V* OUTPUT, 50/60 Hz BUNDLES

Catalog Number	Description	Rating (VA/Watts)	Input Connection ¹	Output Receptacles	Dimensions (H x W x D, inches)	Weight (lb)	List Price
9PX8KHW	8 kVA 9PX UPS power module and 11 kVA EBM	8000/7200	Hardwired	Hardwired	10.2 (6U) x 17.3 x 27.6	190	\$7,471
9PX8K	8 kVA 9PX UPS power module, 11 kVA EBM and 11 kVA MBP	8000/7200	Hardwired	Hardwired + (3) L6-30R	10.2 (6U) x 17.3 x 30.0	205	\$8,014
9PX11KHW**	11 kVA 9PX UPS power module and 11 kVA EBM	11000/10000	Hardwired	Hardwired	10.2 (6U) x 17.3 x 27.6	190	\$9,027
9PX11K**	11 kVA 9PX UPS power module, 11 kVA EBM and 11 kVA MBP	11000/10000	Hardwired	Hardwired + (3) L6-30R	10.2 (6U) x 17.3 x 30.0	205	\$9,474

* 9PX 8K, 11K operate at 200, 208 (default), 220, 230, 240, 250V ** 11K models derated at 200, 208, 220, 250V (see technical specs)

9PX RACK/TOWER: 120/208/230V OUTPUT, 50/60 Hz BUNDLES

Catalog Number	Description	Rating (VA/Watts)	Input Connection	Output Receptacles	Dimensions (H x W x D, inches)	Weight (lb)	List Price
9PX8KTF5	8 kVA 9PX UPS power module, 11 kVA EBM, 11 kVA MBP and 5 kVA Transformer	8000/7200	Hardwired	Hardwired + (2) L6-30R, (18) 5-20R	15.3 (9U) x 17.3 x 30.0	300	\$9,012
9PX11KTF5*	11 kVA 9PX UPS power module, 11 kVA EBM, 11 kVA MBP and 5 kVA Transformer	11000/10000	Hardwired	Hardwired + (2) L6-30R, (18) 5-20R	15.3 (9U) x 17.3 x 30.0	300	\$10,578
9PX11KTF11*	11 kVA 9PX UPS power module, 11 kVA EBM and 10 kW Transformer	11000/10000	Hardwired	Hardwired + (2) L14-30R, (8) 5-20R	15.3 (9U) x 17.3 x 27.6	377	\$11,799

* 11K models derated at 200, 208, 220, 250V (see technical specs)

9PX OPTIONS

Catalog Number	Description	Input Connection	Output Receptacles	Dimensions (H x W x D, inches)	Weight (lb)	List Price
Extended runtime						
9PXEBM240RT	8/11 kVA EBM (add up to 5 EBMs), Cable is 18" in length			5.1 (3U) x 17.3 x 25.4	150	\$1,561
EBMCBL240	6-foot battery extension cable for EBM					\$
CBLADAPT240	Adapter cable from Eaton EX RT UPS or EBM to 8/11 kVA 9PX UPS models					\$
BINTSYS	Battery integration system - vertical mounting platform with wheels			7.9 x 20.5 x 31.5	30	\$547
SC240RT	240V supercharger module to add up to 12 EBMs to 8/11 kVA 9PX UPS models. Includes 4-post rail kit			5.1 (3U) x 17.3 x 26.8	34	\$816
Power distribution and maintenance bypass						
MBP11K208	Rear-mount 3U, 208V maintenance bypass module for 8/11 kVA 9PX UPS models.	Hardwired	Hardwired + (3) L6-30R			\$970
PW105BA2U420	Basic ePDU for additional output receptacles. 2U form factor	L6-30P	(4) L6-20R	3.5 (2U) x 19.0 x 6.0		\$737
PW105BA0U421	Basic ePDU for additional output receptacles. 0U form factor.	L14-30P	(24) 5-20R	66.0 (0U) x 1.89 x 2.0		\$762
PW105BA2U422	Basic ePDU for additional output receptacles. 2U form factor.	L14-30P	(4) L6-20R	3.5 (2U) x 19.0 x 6.0		\$826
ePBZ79	Basic ePDU for additional output receptacles. 1U form factor.	L6-30P	(16) C13 and (4) C19	1.7 (1U) x 17.0 x 5.1		\$330

EATON 9PX UPS RACK/TOWER (continued)

9PX OPTIONS (continued)

Catalog Number	Description	Rating (VA/Watts)	Input Connection	Output Receptacles	Dimensions (H x W x D, inches)	Weight (lb)	List Price
Additional modules							
9PXTFMR5	9PX 5 kVA stepdown transformer	5000/5000	L6-30P	(18) 5-20R	5.1 (3U) x 17.3 x 25.4	95	\$1,120
9PXTFMR11	9PX 10 kW stepdown transformer	10000/10000	Hardwired	Hardwired + (2) L14-30R, (8) 5-20R	5.1 (3U) x 17.3 x 25.4	187	\$3,267
9PX8KPM*	9PX 8 kVA power module	8000/7200	Hardwired	Hardwired	5.1 (3U) x 17.3 x 27.6	46	\$5,814
9PX11KPM*	9PX 11 kVA power module	11000/10000	Hardwired	Hardwired	5.1 (3U) x 17.3 x 27.6	46	\$7,349

* These transformer accessories may be ordered a la cart but for best pricing they should be purchased as bundled solution.

9PX BATTERY BACKUP TIMES (in minutes)**

Load (Watts)	Internal Batteries	+1 EBM	+2 EBMs	+3 EBMs	+4 EBMs	+5 EBMs
10000	3	10	18	25	34	42
7500	5.5	15	25	37	48	61
5000	10	25	42	61	80	98
2500	25	60	97	136	163	184

** Runtimes shown at full load with maximum power factor, are approximate and may vary with equipment, configuration, battery age, temperature, etc. View interactive runtime graphs at www.eaton.com/9PX

SERVICES

For detailed information on service plans, please refer to the Single-phase Service section on page 108.

EATON 9155 UPS

Powerware series

Online double-conversion UPS (8–15 kVA)

This innovative design delivers one of the industry's best combinations of high efficiency, low input current distortion and highest power factor, while conserving valuable space and offering the most cost-effective, highest performance option available today.

- True online double-conversion topology protects equipment from all nine of the most common power problems
- Industry leading power density, providing up to 13 percent more power capacity in a compact tower design including batteries
- Up to 200 percent more standard runtime out of the box, 600 percent more runtime in a smaller footprint with a 3-high module
- Up to a 74 percent footprint reduction
- Flexible voltages, as split-phase architecture creates up to 15 kVA at 100, 120, 208 or 240 Vac with no transformers required
- Flexible on-board power distribution modules (PDMs) allow for hardwired output or up to 15 different output receptacle options, reducing installation and site preparation expenses
- Plug-and-play rack Enclosure power distribution with the on-board PDU
- Inherently scalable from 8–15 kVA, allowing you to pay as you grow or increase capacity with no additional hardware purchases or installation concerns
- Eaton's patented Hot Sync paralleling technology allows for wireless paralleling in the event of communications failure, providing the industry's only truly redundant paralleling technology
- Flexible 0 footprint extended run configurations allow for adding additional runtime in the same industry-leading compact footprint available
- Includes on-site 5x8 startup and operator training by Eaton field technician
- Includes one year of eNotify remote monitoring service (requires connectivity parts and self installation)
- Includes one year local (250 km) 5x8 Corrective warranty, Local 5x8 start-up



9155 MODELS

Model	Part Number ¹	Rating ² (kVA/kW)	Input Connection	Output Receptacles	Dimensions (H x W x D, inches)	Weight ³ (lb)	List Price
PW9155 8 kVA 32 Battery (2-high)	K40811000000000	8/7.2	Hardwired	Optional	32.2 x 12.0 x 33.7	352	\$11,032
PW9155 8 kVA 64 Battery (3-high)	K40812000000000	8/7.2	Hardwired	Optional	47.8 x 12.0 x 33.7	590	\$13,118
PW9155 8 kVA 32 Battery w/Trans. Mod. (3-high)	K40813000000000	8/7.2	Hardwired	Optional	47.8 x 12.0 x 33.7	558	\$15,169
PW9155 10 kVA 32 Battery (2-high)	K41011000000000	10/9	Hardwired	Optional	32.2 x 12.0 x 33.7	352	\$12,656
PW9155 10 kVA 64 Battery (3-high)	K41012000000000	10/9	Hardwired	Optional	47.8 x 12.0 x 33.7	590	\$15,078
PW9155 10 kVA 32 Battery w/Trans. Mod. (3-high)	K41013000000000	10/9	Hardwired	Optional	47.8 x 12.0 x 33.7	558	\$17,339
PW9155 12 kVA 32 Battery (2-high)	K41211000000000	12/10.8	Hardwired	Optional	32.2 x 12.0 x 33.7	352	\$13,309
PW9155 12 kVA 64 Battery (3-high)	K41212000000000	12/10.8	Hardwired	Optional	47.8 x 12.0 x 33.7	590	\$15,754
PW9155 12 kVA 32 Battery w/Trans. Mod. (3-high)	K41213000000000	12/10.8	Hardwired	Optional	47.8 x 12.0 x 33.7	558	\$17,925
PW9155 15 kVA 32 Battery (2-high)	K41511000000000	15/13.5	Hardwired	Optional	32.2 x 12.0 x 33.7	352	\$14,461
PW9155 15 kVA 64 Battery (3-high)	K41512000000000	15/13.5	Hardwired	Optional	47.8 x 12.0 x 33.7	590	\$17,215
PW9155 15 kVA 32 Battery w/Trans. Mod. (3-high)	K41513000000000	15/13.5	Hardwired	Optional	47.8 x 12.0 x 33.7	558	\$19,467

1. 50/60 Hz auto-sensing. All models can be used for frequency/phase conversion with derated 80% load, please refer to manual for details. 2. Input voltage 100/200, 110/220, 120/240, Vac 180° phase displacement, 120/208, 127/220 Vac 120° phase displacement. Output voltages are user-selectable 100/200, 110/220, 120/240 Vac 180° phase displacement. 3. Weight is installed weight, add 47 lb (2-modules high) or 50 lb (3-modules high) to determine shipping weight.

BUILT-IN CONNECTIVITY OPTIONS

Available X-Slot card options (The UPS has two X-Slot bays available; one X-Slot card can be factory installed, the second X-Slot card can be ordered separately and user-installed.)

Description	Value for CTO Digit 8	Part Number (if ordered separately)	List Price
NONE (No Pre-installed X-Slot card)	0	-	\$0
Modbus Card-X-Slot	4	103005425-5591	\$911
Relay Interface Card-X-Slot (AS/400 Compatible)	5	1018460	\$202
Industrial Relay and Display Drive Card X-Slot	6	103003055	\$462

SOFTWARE AND CONNECTIVITY OPTIONS

Description	Part Number	List Price
Power Xpert Gateway UPS Card	PXGXUPS (103007974-5591)	\$621

Bundled with Intelligent Power Software Suite CD and communication cable. See the software and connectivity sections for more details.

EATON 9155 UPS

Powerware series (continued)

OUTPUT RECEPTACLES AND MAINTENANCE BYPASS

Order Number	Description	Dimensions (H x W x D, inches)	Weight (lb)	List Price
See worksheet below:	Power Distribution Module (PDM) with Mechanical Bypass Switch (rear UPS mount)*	16.5 x 12.0 x 7.0	25.0	\$1,020

Receptacle Codes (Qty) NEMA Type

(Select digits 9–12 in the CTO number)

PDM Worksheet CTO	Description	Voltage	Phase	Price Adder per Receptacle Code Chosen
S	Mechanical Bypass Module only			\$1,020
A	(4) 5-15R	120V	Single	\$225
B	(4) 5-20R UL	120V	Single	\$225
D	(4) 6-15R	208V	Dual	\$225
E	(4) 6-20R	208V	Dual	\$225
F	(4) L5-15R	120V	Single	\$225
G	(2) L5-20R*	120V	Single	\$225
H	(2) L5-30R*	120V	Single	\$225
I	(2) L6-15R	208V	Dual	\$225
J	(2) L6-20R*	208V	Dual	\$225
K	(2) L6-30R*	208V	Dual	\$225
L	(2) L14-20R*	120/208V	Dual	\$225
M	(2) L14-30R*	120/208V	Dual	\$225
X	Blank Plate	-	-	\$21
0 (Zero)	Last Product Identifier Number	-	-	-

Notes: If any output receptacles are chosen, the Maintenance Bypass module will be included and will add \$999 to the cost. Maximum 4 choices within CTO part number (9-12). The combined quantities of LOCKING receptacles (denoted with a *) must not exceed four. Please be sure to utilize the "X" designation for any of the 4 total slots not populated. * Please contact factory for custom configuration availability.

* If only mechanical bypass is chosen, remaining three slots should be populated with "0".

9155 OPTIONS

Model Number	Description	Dimensions (H x W x D, inches)	Weight (lb)	List Price
Hot Sync (Parallel Systems)*				
124100017-001	9155 Parallel Tie Cabinet	24.00 x 20.30 x 6.00	80.0	\$1,755
103004336	CAN Bridge Card	-	-	\$562

Note: Up to (3) PW9155s can be paralleled within the Parallel Tie Cabinet and each UPS must include a Hot Sync CAN Bridge Card installed in the 2nd X-Slot.

Extended Battery Module

103004192-5501	PW9155 EBM 64 (2-high Stack)	32.20 x 12.00 x 30.20	480.0	\$6,595
103004193-5501	PW9155 EBM 96 (3-high Stack)	47.80 x 12.00 x 30.20	710.0	\$9,409

Note: Up to (4) EBM64s or (3) EBM96s can be added for additional runtime.

Maintenance Bypass Module (MBM)

BPE20MBB1A	Wall-mounted Maintenance Bypass Module	21.00 x 14.00 x 6.75	34.0	\$1,828
------------	--	----------------------	------	---------

9155 Upgrade Packages

103004195	PW9155 One-step kVA Upgrade Kit			\$1,378
103004196	PW9155 Two-step kVA Upgrade Kit			\$2,760

Seismic Kit

103004194-5501	Seismic kit, Rated Zone 4, UL tested, performance rating based on NEBS GR-63-CORE Standard Vibration Test		136.0	\$2,188
----------------	---	--	-------	---------

Notes: An 8 to 15 kVA upgrade would require purchase of a one and two-step upgrade. Up to three 9155s can be paralleled within the Parallel Tie Cabinet and each UPS must include CAN Bridge Card installed in the second X-Slot. For extended runtime applications, each UPS must have dedicated and identical number of EBMs. Kit includes CAN Bridge Card and Instructions.

* Eaton startup is required for factory warranty of parallel configuration.

9155 SPARE PARTS

Description	Part Number	List Price
PW9155 Spares Kit	106711155	call

Spare parts kits MUST be purchased at the time of the UPS. If not purchasing at the time of the UPS then contact our Service Group, 1-800-356-5737, for pricing.

9155 UPGRADES

Description	Part Number	List Price
9155-2 Unit Parallel Upgrade Kit [†]	103004626	call for quotation
9155-3 Unit Parallel Upgrade Kit [†]	103004627	call for quotation

1. Up to three PW9155s can be paralleled with the parallel cabinet. 2. Each 9155 must have a Hot Sync Bridge CAN Card installed in the second X-Slot communication bay. 3. If extended runtime is required for the application, then each UPS must have its own EBM and the same number of EBM(s). 4. Kit includes CAN Bridge Card and instructions.

EATON 9155 UPS

Powerware series (continued)

9155 BATTERY BACKUP TIMES (in minutes) @ 0.9 Power Factor

Load (VA/Watts)	UPS + Internal					UPS + Internal				
	32 Battery	+1 EBM 64	+2 EBM 64	+3 EBM 64	+4 EBM 64	64 Battery	+1 EBM 96	+2 EBM 96	+3 EBM 96	
15000/13500	4.6	23.0	43.0	65.1	88.6	13.3	43.0	76.7	113.0	
14500/13050	4.9	24.1	45.2	68.3	93.0	14.1	45.2	80.5	119.0	
14000/12600	5.2	25.2	47.3	71.5	97.4	14.9	47.3	84.2	125.0	
13500/12150	5.5	26.4	49.4	74.7	102.0	15.8	49.4	88.1	130.0	
13000/11700	5.8	27.6	51.6	78.1	106.0	16.7	51.6	92.0	136.0	
12500/11250	6.1	28.8	54.0	81.6	111.0	17.6	54.0	96.2	142.0	
12000/10800	6.5	30.2	56.5	85.5	116.0	18.6	56.5	101.0	149.0	
11500/10350	6.9	31.6	59.3	89.7	122.0	19.2	59.3	106.0	156.0	
11000/9900	7.3	33.3	62.4	94.4	129.0	20.2	62.4	111.0	164.0	
10500/9450	7.8	35.1	65.9	99.6	136.0	21.4	65.9	117.0	174.0	
10000/9000	8.4	37.2	69.8	106.0	144.0	22.6	69.8	124.0	184.0	
9500/8550	9.1	39.6	74.2	112.0	153.0	24.1	74.2	132.0	196.0	
9000/8100	9.9	42.3	79.4	120.0	163.0	25.7	79.4	141.0	209.0	
8500/7650	10.8	45.5	85.2	129.0	175.0	27.6	85.2	152.0	225.0	
8000/7200	11.9	49.1	91.9	139.0	189.0	29.8	91.9	164.0	242.0	
7500/6750	13.1	53.2	99.7	151.0	205.0	32.3	99.7	178.0	263.0	
7000/6300	14.6	58.0	109.0	164.0	224.0	35.2	109.0	194.0	286.0	
6500/5850	16.3	63.5	119.0	180.0	245.0	38.6	119.0	212.0	314.0	
6000/5400	18.4	70.0	131.0	198.0	270.0	42.5	131.0	234.0	346.0	
5500/4950	20.1	77.6	145.0	220.0	300.0	47.2	145.0	259.0	383.0	
5000/4500	22.4	86.6	162.0	245.0	334.0	52.6	162.0	289.0	428.0	
4500/4050	25.2	97.4	182.0	276.0	376.0	59.2	182.0	325.0	-	
4000/3600	28.6	110.0	207.0	313.0	426.0	67.1	207.0	369.0	-	
3500/3150	32.8	127.0	238.0	359.0	-	77.0	238.0	423.0	-	
3000/2700	38.3	148.0	277.0	418.0	-	89.7	277.0	-	-	
2500/2250	45.6	176.0	329.0	-	-	107.0	329.0	-	-	

Note: Backup times are approximate and may vary with equipment, configuration, battery age, temperature, etc.

SERVICES

For detailed information on service plans, please refer to the Three-phase Service section on page 112.

EATON 9170+ UPS RACK/TOWER

Powerware series

Online double-conversion UPS (3–18 kVA)

Reliable online, high-frequency, double-conversion power protection that provides flexible solutions for mission-critical applications.

- N + X power and logic redundancy eliminating all system level single point-of-failure
- Easily scalable to adapt to changing IT environments by simply adding power and/or battery modules
- Double-conversion, online design delivers the highest level of protection
- ABM technology significantly increases battery service life
- Hot-swappable battery and power modules, each weighing less than 30 pounds for easy handling and replacement
- Power management software bundle provides monitoring and shutdown capabilities
- Warranty (US and Canada): Two-year limited warranty and \$250,000 load protection guarantee; optional Gold Plans available



9170+ MODELS

Model	Part Number	Dimensions (H x W x D, inches)	Weight (lb)	List Price
9170+ Modules				
Split-phase Power Module (100/200, 120/208, 127/220, 110/220, 120/240V In & Out)	ASY-0673	4.23 x 14.12 x 15.25	17	\$2,113
Universal Power Module (208-240V In & Out)	ASY-0674	4.23 x 14.12 x 15.25	17	\$1,993
Battery Module (two required per slot/string) ¹	ASY-0529	4.23 x 7.012 x 14.75	30	\$411
Optional 20 Amp Charger Module (same form factor as 3 kVA power modules)	ASY-0675	4.23 x 14.12 x 14.75	17	\$2,918

Note: For 9170 replacement modules, contact our Service Group at 800.356.5737 for pricing.

UPS Enclosures

3-slot Enclosure (3 kVA max.), Hardwired Input/Output	0660C030AAAAAAAI	17.80 x 17.00 x 25.40	66	\$3,392
6-slot Enclosure (3, 6 or 9 kVA), Hardwired Input/Output	0660C060AAAAAAAI	31.50 x 17.00 x 25.40	103	\$3,704
9-slot Enclosure (3, 6, 9, 12, 15 or 18 kVA), Hardwired Input/Output	0660C090AAAAAAAI	47.00 x 24.00 x 28.40	158	\$3,975
12-slot Enclosure (3, 6, 9, 12, 15 or 18 kVA), Hardwired Input/Output	0660C120AAAAAAAI	60.70 x 24.00 x 28.40	196	\$4,277
9-slot rack Enclosure	0660C092AAAAAAAI	45.00 x 17.00 x 25.40	158	\$4,291
12-slot rack Enclosure	0660C122AAAAAAAI	58.00 x 17.00 x 25.40	196	\$4,583

External Options

Rack Kit (3- & 6-slot Enclosure only)	ASY-0547	-	15	\$174
Caster option for 3- & 6-slot Enclosure	ASY-0527	-	9	\$215
External battery connection option (matching cabinet for hot-swap battery modules)	ASY-0525	-	8	\$281
Floor Anchoring kit	ASY-0548	-	6	\$72
6-slot external battery Enclosure: black ¹	ASY-0612	31.50 x 17.00 x 25.40	93	\$1,583
9-slot external battery Enclosure: black ¹	ASY-0737	47.00 x 24.00 x 28.40	148	\$2,016
12-slot external battery Enclosure: black ¹	ASY-0738	60.70 x 24.00 x 28.40	186	\$2,751
12-slot Enclosure w/AC for charger option: black	ASY-0739	60.70 x 24.00 x 28.40	196	\$3,037
12-slot rack external battery Enclosure: black	103004136	58.00 x 17.00 x 25.40	186	\$2,538
12-slot rack external battery Enclosure w/AC charger option: black	103004137	58.00 x 17.00 x 25.40	196	\$3,201
Rail Kit Option for 3 & 6 slot rackmount ²	103007312	-	12	\$317

1. External Battery Cabinet connection option (ASY-0525) required with each battery cabinet.

2. Rail kit optional for 3 & 6 slot rackmount chassis - included with 9 & 12 slot rackmount chassis

Wall-mounted Maintenance Bypass Cabinets

3- & 6-slot Enclosure (Make-Before-Break)	BPE14MBB1A	21.0 x 14.0 x 6.75	31	\$1,414
9- & 12-slot Enclosure (Break-Before-Make)	BPE20BBM1A	21.0 x 14.0 x 6.75	34	\$1,589
9- & 12-slot Enclosure (Make-Before-Break)	BPE20MBB1A	21.0 x 14.0 x 6.75	34	\$1,828

EATON 9170+ UPS RACK/TOWER

Powerware series *(continued)*

9170+ PRE-CONFIGURED SYSTEMS

Model Number	Rating	Input Connection	Output Receptacles	Dimensions (H x W x D, inches)	Weight (lb)	List Price
Pre-configured Systems with Hardwire Input and Output Options						
PW3S3K Includes: (1) 3-slot Enclosure (1) power module (2) battery modules (1) caster kit	3 kVA expandable to 3 kVA N+1	Hardwired	Hardwired	19.5 x 17.0 x 25.5	155	\$6,509
PW6S3K Includes: (1) 6-slot Enclosure (1) power module (2) battery modules (1) caster kit	3 kVA expandable to 9 kVA N+X	Hardwired	Hardwired	33.3 x 17.0 x 25.5	155	\$ 6,822
PW6S6K Includes: (1) 6-slot Enclosure (2) power modules (4) battery modules (1) caster kit	6 kVA expandable to 9 kVA N+X	Hardwired	Hardwired	33.3 x 17.0 x 25.5	232	\$ 9,725
PW6S9K Includes: (1) 6-slot Enclosure (3) power modules (6) battery modules (1) caster kit	9 kVA expandable to 9 kVA N+X	Hardwired	Hardwired	33.3 x 17.0 x 25.5	346	\$12,628
PW9S9K Includes: (1) 9-slot Enclosure (3) power modules (6) battery modules	9 kVA expandable to 18 kVA N+X	Hardwired	Hardwired	47.0 x 24.0 x 28.5	389	\$12,684
PW12S9K Includes: (1) 12-slot Enclosure (3) power modules (6) battery modules	9 kVA expandable to 18 kVA N+X	Hardwired	Hardwired	60.7 x 24.0 x 28.5	427	\$12,986
PW12S12K Includes: (1) 12-slot Enclosure (4) power modules (8) battery modules	12 kVA expandable to 18 kVA N+X	Hardwired	Hardwired	60.7 x 24.0 x 28.5	504	\$15,889
PW12S15K Includes: (1) 12-slot Enclosure (5) power modules (10) battery modules	15 kVA expandable to 18 kVA N+X	Hardwired	Hardwired	60.7 x 24.0 x 28.5	581	\$18,792
PW12S18K Includes: (1) 12-slot Enclosure (6) power modules (12) battery modules	18 kVA expandable to 18 kVA N+X	Hardwired	Hardwired	60.7 x 24.0 x 28.5	658	\$21,695

Replacement batteries—contact Sales Support 800.356.5794, option 3.

EATON 9170+ UPS RACK/TOWER

Powerware series (continued)

PRE-CONFIGURED SYSTEMS WITH HARDWIRE INPUT AND RECEPTACLES OUTPUT OPTIONS

Model Number	Rating	Input Connection	Output Receptacles	Dimensions (H x W x D, inches)	Weight (lb)	List Price
PW6S3K-PD Includes: (1) 6-slot Enclosure (1) power modules (2) battery modules (1) caster kit	3 kVA expandable to 9 kVA N+X	Hardwired	(2) L14-30R, (2) L6-30R, (12) 5-20R	33.3 x 17.0 x 25.5	192	\$7,244
PW6S6K-PD Includes: (1) 6-slot Enclosure (2) power modules (4) battery modules (1) caster kit	6 kVA expandable to 9 kVA N+X	Hardwired	(2) L14-30R, (2) L6-30R, (12) 5-20R	33.3 x 17.0 x 25.5	269	\$10,147
PW6S9K-PD Includes: (1) 6-slot Enclosure (3) power modules (6) battery modules (1) caster kit	9 kVA expandable to 9 kVA N+X	Hardwired	(2) L14-30R, (2) L6-30R, (12) 5-20R	33.3 x 17.0 x 25.5	346	\$13,050
PW9S9K-PD Includes: (1) 9-slot Enclosure (3) power modules (6) battery modules	9 kVA expandable to 18 kVA N+X	Hardwired	(2) L14-30R, (2) L6-30R, (12) 5-20R	47.0 x 24.0 x 28.5	389	\$13,106
PW12S9K-PD Includes: (1) 12-slot Enclosure (3) power modules (6) battery modules	9 kVA expandable to 18 kVA N+X	Hardwired	(3) L14-30R, (3) L6-30R, (12) 5-20R	60.7 x 24.0 x 28.5	427	\$13,549
PW12S12K-PD Includes: (1) 12-slot Enclosure (4) power modules (8) battery modules	12 kVA expandable to 18 kVA N+X	Hardwired	(3) L14-30R, (3) L6-30R, (12) 5-20R	60.7 x 24.0 x 28.5	504	\$16,452
PW12S15K-PD Includes: (1) 12-slot Enclosure (5) power modules (10) battery modules	15 kVA expandable to 18 kVA N+X	Hardwired	(3) L14-30R, (3) L6-30R, (12) 5-20R	60.7 x 24.0 x 28.5	581	\$19,355
PW12S18K-PD Includes: (1) 12-slot Enclosure (6) power modules (12) battery modules	18 kVA expandable to 18 kVA N+X	Hardwired	(3) L14-30R, (3) L6-30R, (12) 5-20R	60.7 x 24.0 x 28.5	658	\$22,258
PW3S3K-LPD Includes: (1) 3-slot Enclosure (1) power modules (2) battery modules (1) caster kit	3 kVA expandable to 3 kVA N+1	L14-30P	(1) L14-30R, (1) L6-30R, (4) 5-20R	19.5 x 17.0 x 25.5	155	\$6,881
PW6S3K-LPD Includes: (1) 6-slot Enclosure (1) power modules (2) battery modules (1) caster kit	3 kVA expandable to 9 kVA N+X	14-50P	(2) L14-30R, (2) L6-30R, (12) 5-20R	33.3 x 17.0 x 25.5	192	\$7,396
PW6S6K-LPD Includes: (1) 6-slot Enclosure (2) power modules (4) battery modules (1) caster kit	6 kVA expandable to 9 kVA N+X	14-50P	(2) L14-30R, (2) L6-30R, (12) 5-20R	33.3 x 17.0 x 25.5	269	\$10,298

Notes: 50/60 Hz automatic frequency selection. Input/output voltages: 208–240 Vac or 100/200, 110/220, 120/208, 120/240 and 127/220 Vac. Pre-configured systems (3) and (6) slot Enclosure dimensions include caster kit. Each pre-configured system includes a 6.5-minute runtime. Backup times are approximate and may vary with equipment, configuration, battery age, temperature, etc. Split-phase Power Modules included.

EATON 9170+ UPS RACK/TOWER

Powerware series (continued)

SOFTWARE AND CONNECTIVITY OPTIONS

Catalog Number	Description	List Price
116750222-001	ConnectUPS-BD	\$462

Bundled with Intelligent Power Software Suite CD and communication cable.

See software and connectivity product sections for more detail.

SPLIT-PHASE MODULE ASY-0673 RUNTIME CHART IN MINUTES (FULL LOAD/HALF LOAD)

Load (VA) Number of Strings (two battery modules per string; two battery modules occupy one slot)

	1 String	2 String	3 String	4 String	5 String	6 String	7 String	8 String	9 String	10 String	11 String	12 String
3 kVA	6.5/16	16/40	27.5/67.5	40/98	53.5/132	67.5/167	83/204	98/242	115/283	132/324	149/365	167/408
6 kVA		6.5/16	11/27.5	16/40	21.5/53.5	27.5/68	33.5/83	40/98	46.5/115	53.5/132	60.5/149	67.5/167
9 kVA			6.5/16	9.5/23.5	13/31.5	16/40	20/49	23.5/58	27.5/67.5	31.5/78	35.5/88	40/98
12 kVA				6.5/16	9/21.5	11/27.5	13.5/33.5	16/40	19/46.5	21.5/53.5	24.5/60.5	27.5/68
15 kVA					6.5/16	8/20.5	10/25	12/30	14/35	16/40	18.5/45	20.5/50.5
18 kVA						6.5/16	8/20	9.5/23.5	11/27.5	12.5/30	14.5/35.5	16/40

Note: Additional battery runtimes available up to 8 hr. Please contact your Eaton representative. Split-phase Module is for U.S. use.

	13 String	14 String	15 String	16 String	17 String	18 String	19 String	20 String	21 String	22 String	23 String	24 String
3 kVA	185/456	204/501	223/549	242/595	262/640	283/692	302/750	323/790	345/850	365/900	387/955	408/1015
6 kVA	75/185	83/204	90/223	98/242	106/262	115/285	123/302	132/324	140/345	149/365	157/388	167/408
9 kVA	44/109	49/120	53.5/132	58/143	63/154	68/167	73/179	78/191	83/204	88/210	93/229	98/242
12 kVA	30.5/75	33.5/83	37/90	40/98	43/106	46.5/115	50/123	53.5/132	57/140	60/149	64/157	68/167
15 kVA	23/56	25/62	27.5/67.5	30/73.5	32.5/79.5	35/86	37.5/92	40/98	42.5/105	45/111	48/118	51/124
18 kVA	18/44	20/49	21.5/53.5	23.5/58	25.5/63	27.5/68	29.5/73	31.5/78	33.5/83	35.5/88	38/93	40/98

Note: Battery strings above and to the right of the dark line require additional (N+X) power modules or a 20A charger module.

UNIVERSAL MODULE ASY-0674 RUNTIME CHART IN MINUTES (FULL LOAD/HALF LOAD)

Load (VA) Number of strings (two battery modules per string; two battery modules occupy one slot)

	1 String	2 String	3 String	4 String	5 String	6 String	7 String	8 String	9 String	10 String	11 String	12 String
3 kVA	8/24	24/59	43/95	58/140	80/175	95/125	119/240	135/290	155/335	165/365	200/395	215/450
6 kVA		8/24	16/40	24/59	32/83	40/103	49/114	58/140	69/156	83/175	90/190	103/205
9 kVA			8/24	13/35	18/46	24/59	29/63	35/86	40/103	46/115	54/125	58/140
12 kVA				8/24	13/33	16/40	19.5/43.5	24/59	29/70	33/80	36/90	41/100
15 kVA					8/24	11.5/31	14.5/31.5	18/46	20.5/51	24/58	28/66	31/73
18 kVA						8/24	11/31.5	13/36	15.5/41	18/45	20.5/51	24/58

Note: Additional battery runtimes available up to 8 hours. Please contact your Eaton representative.

	13 String	14 String	15 String	16 String	17 String	18 String	19 String	20 String	21 String	22 String	23 String	24 String
3 kVA	225/500	245/540	270/600	290/620	315/650	335/690	350/720	365/780	375/850	395/890	425/920	450/950
6 kVA	113/335	123/255	135/273	143/290	148/315	156/333	165/350	175/365	183/385	190/395	198/420	205/440
9 kVA	63/150	73/165	80/178	86/190	93/200	100/210	107/225	115/240	121/255	125/270	135/280	143/290
12 kVA	47/110	52/121	56/130	58/140	65/147	70/156	75/165	80/175	85/185	90/195	95/205	100/215
15 kVA	34/83	38/94	41.5/103	44.5/113	46.5/117	51/127	56/130	58/140	61/149	66/158	71/165	73/170
18 kVA	27/65	31.5/72	34.5/77	36/83	38/94	41/100	44/105	45/115	48/122	54/131	57/137	58/140

Battery strings above and to the right of the dark line require additional (N+X) power modules or a 20A charger module.

CUSTOMIZABLE INPUT PLUG OPTIONS¹

Input Plug	Power Module Type	CTO Digit	List Price
L14-20P ²	Split-phase	F	\$112
L14-30P ³	Split-phase	G	\$132
14-50P ⁴	Split-phase	H	\$153

Notes: 1. May be configured to order by contacting sales support: 800.356.5794. 2. Limits chassis to maximum current of 16A and two power modules for 3 kVA redundant. 3. Limits chassis to maximum current of 24A and three power modules for 5 kVA redundant. 4. Limits chassis to maximum current of 40A and four power modules for 8 kVA redundant.

EATON 9170+ UPS RACK/TOWER

Powerware series *(continued)*

CUSTOMIZABLE RECEPTACLE OPTIONS

Output Receptacle	Power Module Type	# of Bays	CTO Digit	List Price
5-20R duplex	Split-phase	1	E	\$ 51
6-20R duplex	All	1	G	\$71
L5-20R twist lock	Split-phase	1	K	\$51
L5-30R twist lock	Split-phase	1	L	\$61
L6-15R twist lock duplex	All	1	M	\$81
L6-20R twist lock	All	1	N	\$71
L6-30R twist lock	All	1	O	\$71
L14-30R twist lock	Split-phase	1	R	\$71
3 x 5-15R duplex	Split-phase	2	W	\$71
3 x 5-20R duplex	Split-phase	2	X	\$71

Maximum of three different types of receptacles per Enclosure

Bays available per Enclosure:
 3-slot has (4) bays
 6-slot has (8) bays
 9-slot has (8) bays
 12-slot has (12) bays

SERVICES

For detailed information on service plans, please refer to the Single-phase Service section on page 108.

EATON FERRUPS FE UPS 60 HZ

Powerware series

Ferroresonant UPS (500–3100 VA)

- Bulletproof power integrity and management for telecommunications and computer loads
- Special configurations and options available—call sales support for details: 1-800-461-9166
- Warranty (US and Canada): Two-year limited warranty and \$250,000 load protection guarantee; optional Gold Plans available

The FERRUPS® can be customized with many options and runtimes. If you do not find the configuration you need in this price book, call 1-800-461-9166.



FERRUPS FE 60 Hz MODELS

CTO Number	Input/Output Voltage	Runtimes Full/Half Load	Input Plug	Output Receptacles	List Price
MODEL FE500 (500 VA/350W)					
FA000AA0A0A0A0A	120V/120V	9/25 min	Hardwire	Hardwire	\$1,978
FA000BB2A0A0A0A	120V/120V	9/25 min	5-15	(4) 5-15	\$1,934
FA010BB2A0A0A0A	120V/120V	20/56 min	5-15	(4) 5-15	\$2,010
FA020BB2A0A0A0A	120V/120V	75/212 min	5-15	(4) 5-15	\$2,171
MODEL FE700 (700 VA/500W)					
FB000AA0A0A0A0A	120V/120V	11/31 min	Hardwire	Hardwire	\$2,219
FB000BB2A0A0A0A	120V/120V	11/31 min	5-15	(4) 5-15	\$2,174
FB020BB2A0A0A0A	120V/120V	34/96 min	5-15	(4) 5-15	\$2,397
FB040BB2A0A0A0A	120V/120V	External Battery	5-15	(4) 5-15	\$2,059
Model FE850 (850 VA/600W)					
FC000AA0A0A0A0A	120V/120V	9/25 min	Hardwire	Hardwire	\$2,471
FC000BB2A0A0A0A	120V/120V	9/25 min	5-15	(4) 5-15	\$2,426
FC010BB2A0A0A0A	120V/120V	38/107 min	5-15	(4) 5-15	\$2,550
Model FE1.15 (1.15 kVA/800W)					
FD000AA0A0A0A0A	120V/120V	8/22 min	Hardwire	Hardwire	\$3,361
FD000BB3A0A0A0A	120V/120V	8/22 min	5-15	(6) 5-15	\$3,316
FD010BB3A0A0A0A	120V/120V	30/85 min	5-15	(6) 5-15	\$3,636
FD020BB3A0A0A0A	120V/120V	70/197 min	5-15	(6) 5-15	\$3,741
Model FE1.4 (1.4 kVA/1 kW)					
FE000AA0A0A0A0A	120V/120V	11/31 min	Hardwire	Hardwire	\$3,646
FE000BB3A0A0A0A	120V/120V	11/31 min	5-15	(6) 5-15	\$3,601
FE010BB3A0A0A0A	120V/120V	22/62 min	5-15	(6) 5-15	\$3,890
Model FE1.8 (1.8 kVA/1.25 kW)					
FF000CC3A0A0A0B	120V/120V	11/30 min	5-20	(6) 5-20	\$5,199
FF010AA0A0A0A0B	120V/120V	86/206 min	Hardwire	Hardwire	\$5,806
FF010CC3A0A0A0B	120V/120V	86/206 min	5-20	(6) 5-20	\$5,760
Model FE2.1 (2.1 kVA/1.5 kW)					
FG000AA0A0A0A0B	120V/120V	9/25 min	Hardwire	Hardwire	\$5,786
FG000CC3A0A0A0B	120V/120V	9/25 min	5-20	(6) 5-20	\$5,741
FG010AA0A0A0A0B	120V/120V	66/163 min	Hardwire	Hardwire	\$6,338
FG010CC3A0A0A0B	120V/120V	66/163 min	5-20	(6) 5-20	\$6,294
Model FE3.1 (3.1 kVA/2.2 kW)					
FH000AA0A0A0A0B	120V/120V	14/35 min	Hardwire	Hardwire	\$7,245
FH000JC3A0A0A0B	120V/120V	14/35 min	L5-30	(6) 5-20	\$7,199
FH010AA0A0A0A0B	120V/120V	37/98 min	Hardwire	Hardwire	\$7,740
FH010JC3A0A0A0B	120V/120V	37/98 min	L5-30	(6) 5-20	\$7,696

Note: See following pages for external battery packs and maintenance bypass switches.

EATON FERRUPS FE UPS 60 HZ

Powerware series (*continued*)

Ferroresonant UPS (4.3–18 kVA)

- Bulletproof power integrity and management for telecommunications and computer loads
- Power factor-corrected, switch-mode and linear power supplies

The FERRUPS can be customized with many options and runtimes. If you do not find the configuration you need in this price book, call 1-800-461-9166.



FERRUPS FE 60 Hz MODELS (*continued*)

Model Number	CTO Number	Input/Output Voltage	Runtimes Full/Half Load	Input Plug	Output Receptacles	List Price
Model FE4.3 (4.3 kVA/3 kW)						
FE4.3 kVA	FI000AA0A0A0A0B	120V/120V	10/24 min	Hardwired	Hardwired	\$10,712
FE4.3 kVA	FI100AA0A0A0A0B	208-208/120V	10/24 min	Hardwired	Hardwired	\$10,410
FE4.3 kVA	FI300AA0A0A0A0B	240-240/120V	10/24 min	Hardwired	Hardwired	\$10,410
Model FE5.3 (5.3 kVA/3.7 kW)						
FE5.3 kVA	FJ000AA0A0A0A0B	120V/120V	20/50 min	Hardwired	Hardwired	\$12,219
FE5.3 kVA	FJ100AA0A0A0A0B	208-208/120V	20/50 min	Hardwired	Hardwired	\$11,917
FE5.3 kVA	FJ300AA0A0A0A0B	240-240/120V	20/50 min	Hardwired	Hardwired	\$11,917
Model FE7 (7 kVA/5 kW)						
FE7 kVA	FK000AA0A0A0A0B	120V/120V	12/33 min	Hardwired	Hardwired	\$15,329
FE7 kVA	FK100AA0A0A0A0B	208-208/120V	12/33 min	Hardwired	Hardwired	\$15,029
FE7 kVA	FK300AA0A0A0A0B	240-240/120V	12/33 min	Hardwired	Hardwired	\$15,029
Model FE10 (10 kVA/7.5 kW)						
FE10 kVA	FL140AA0A0A0A0B	208-208/120V	External	Hardwired	Hardwired	\$16,287
Recommended system options:	EBPS10F	Standard external battery pack (11/26 min)				\$5,524
	BPE04BBM1A	External maintenance bypass switch (break-before-make)				\$1,117
System List						\$22,928
FE10 kVA	FL340AA0A0A0A0B	240-240/120V	External	Hardwired	Hardwired	\$16,287
Recommended system options:	EBPS10F	Standard external battery pack (11/26 min)				\$5,524
	BPE04MBB1A	External maintenance bypass switch (make-before-break)				\$1,236
System List						\$23,047
Model FE12.5 (12.5 kVA/10 kW)						
FE12.5 kVA	FM140AA0A0A0A0B	208-208/120V	External	Hardwired	Hardwired	\$17,389
Recommended system options:	EBPS12F	Standard external battery pack (18/48 min)				\$7,625
	BPE04BBM1A	External maintenance bypass switch (break-before-make)				\$1,117
System List						\$26,131
FE12.5 kVA	FM340AA0A0A0A0B	240-240/120V	External	Hardwired	Hardwired	\$17,389
Recommended system options:	EBPS12F	Standard external battery pack (18/48 min)				\$7,625
	BPE04MBB1A	External maintenance bypass switch (make-before-break)				\$1,236
System List						\$26,250
Model FE18 (18 kVA/15 kW)						
FE18 kVA	FN140AA0A0A0A0B	208-208/120V	External	Hardwired	Hardwired	\$22,369
Recommended system options:	EBPS18F	Standard external battery pack (10/26 min)				\$7,625
	BPE05BBM1A	External maintenance bypass switch (break-before-make)				\$1,376
System List						\$31,370
FE18 kVA	FN340AA0A0A0A0B	240-240/120V	External	Hardwired	Hardwired	\$22,369
Recommended system options:	EBPS18F	Standard external battery pack (10/26 min)				\$7,625
	BPE05MBB1A	External maintenance bypass switch (make-before-break)				\$1,544
System List						\$31,538

Note: See following pages for external battery packs and maintenance bypass switches. Call for other configurations and options.

EATON FERRUPS UPS RACK SERIES 60 HZ

Powerware series

Ferroresonant UPS (1.4 kVA–7 kVA)

- Bulletproof power integrity and management for telecommunications and computer loads
- Power factor-corrected, switch-mode and linear power supplies
- High reliability for industrial and harsh environment
- Ultra-high reliability for standard, commercial environment

The FERRUPS can be customized with many options and runtimes. If you do not find the configuration you need in this price book, call 1-800-461-9166.



FERRUPS RACK SERIES 60 Hz MODELS

CTO Number	Input/Output Voltage	Runtimes Full/Half Load	Input Plug	Output Receptacles	List Price
Model FES1.4 (1.4 kVA/1 kW)					
RC000BB2A0A0A0A	120V–120V	14/36 min	5-15	(4) 5-15	\$7,071
RC000AA0A0A0A0A	120V–120V	14/36 min	Hardwired	Hardwired	\$6,937
Model FER2.1 (2.1 kVA/1.5 kW)					
RH000CC3A0A0A0B	120V–120V	24/58 min	5-20	(6) 5-20	\$8,208
RH000AA0A0A0A0B	120V–120V	24/58 min	Hardwired	Hardwired	\$7,984
Model FER3.1 (3.1 kVA/2.2 kW)					
RI000JB3A0A0A0B	120V–120V	14/35 min	L5-30	(6) 5-15	\$9,022
RI000AA0A0A0A0B	120V–120V	14/35 min	Hardwired	Hardwired	\$8,752
Model FER7 (7 kVA/5 kW)					
RK140AA0A0A0A0B	208–120/208V	External Battery	Hardwired	Hardwired	\$16,510
RK340AA0A0A0A0B	240–120/240V	External Battery	Hardwired	Hardwired	\$16,510
EBPS4.3R	Standard external battery pack (12/33 min)				\$4,698

Note: See following pages for external battery packs and maintenance bypass switches. Call for other configurations and options.

SOFTWARE AND CONNECTIVITY OPTIONS

Description	Part Number	List Price
Serial CheckUPS Cable DB25M to DB9F	INT-0035	\$69
BestLink Web/SNMP Adapter (external)	116750225-001	\$481
IBM AS/400 Kit Standard Cable Kit	IPK-0001	\$134
Handheld Remote and Keypad (FE, FES, FER models only)	RCK-0007	\$392
Caster Assy	CAA-0006	\$201

SERVICES

For detailed information on service plans, please refer to the Single-phase Service section on page 108.

EATON FERRUPS UPS EXTERNAL OPTIONS & ACCESSORIES

Powerware series

FERRUPS EXTERNAL BATTERY PACK BACKUP TIMES (full/half load)

FERRUPS external battery packs offer extended backup times. Please see following pages for typical backup times. Use of the external battery packs require that the FERRUPS UPS be configured with external battery or battery charger options as noted below.

Tower: 1.4–3.1 kVA

Battery Pack	List Price	FE1.15 kVA	FE1.4 kVA	FE1.8 kVA	FE2.1 kVA	FE3.1 kVA
8ME	\$3,694	3h 15m / 9h 11m	2h 20m / 6h 35m	-	-	-
9ME	\$4,034	3h 50m / 10h 50m	3h 10m / 8h 57m	2h 12m / 4h 53m	1h 41m / 3h 54m	57m / 2h 27m
10ME	\$6,934	6h 30m / 18h 23m	5h 20m / 15h 5m	3h 38m / 8h 22m	2h 50m / 6h 37m	1h 41m / 4h 03m
11ME	\$7,681	-	-	5h 09m / 11h 30m	4h 03m / 9h 10m	2h 29m / 5h 44m
12ME ¹	\$10,219	-	-	6h 07m / 14h 06m	4h 46m / 11h 08m	2h 52m / 6h 50m
13ME ¹	\$12,476	-	-	8h 30m / 18h 53m	6h 42m / 15h 04m	4h 07m / 9h 27m
14ME ¹	\$15,311	-	-	12h 08m / 27h 06m	9h 33m / 21h 36m	5h 52m / 13h 30m
15ME ¹	\$20,705	-	-	18h 52m / 44h 45m	15h 12m / 36h 28m	9h 41m / 22h 18m

Tower: 4.3–7 kVA

Battery Pack	List Price	FE4.3 kVA	FE5.3 kVA	FE7 kVA
1FE	\$4,983	40m / 1h 42m	27m / 1h 14m	-
2FE	\$6,979	1h 11m / 2h 51m	49m / 2h 10m	34m / 1h 28m
3FE	\$7,735	1h 49m / 4h 05m	1h 12m / 3h 08m	48m / 2h 13m
4FE ²	\$9,821	2h 06m / 4h 46m	1h 27m / 3h 39m	60m / 2h 33m
5FE ²	\$12,004	3h 04m / 6h 46m	2h 13m / 5h 11m	1h 32m / 3h 41m
6FE ³	\$14,448	4h 27m / 9h 39m	3h 08m / 7h 22m	2h 16m / 5h 14m
7FE ³	\$19,954	7h 12m / 15h 56m	5h 10m / 12h 10m	3h 45m / 8h 39m

Tower: 10–18 kVA

Battery Pack	List Price	FE10 kVA	FE12.5 kVA	Battery Pack	List Price	FE18 kVA
EBPS10F	\$5,524	11m / 26 m	-	EBPS18F	\$7,625	10m / 26m
EBPS12F	\$7,625	-	18m / 48m	16FE	\$9,990	14m / 39m
8FE	\$7,670	27m / 1h 10m	-	17FE	\$15,337	27m / 1h 10m
9FE	\$10,108	41m / 1h 48m	27m / 1h 13m	18FE	\$16,496	37m / 1h 46m
10FE	\$15,392	1h 13m / 2h 59m	49m / 2h 07m	19FE ³	\$23,123	48m / 2h 04m
11FE	\$17,067	1h 51m / 4h 16m	1h 12m / 3h 04m	20FE ³	\$28,941	1h 13m / 3h 01m
12FE ²	\$21,830	2h 09m / 5h 02m	1h 38m / 4h 05m	21FE ³	\$32,991	1h 49m / 4h 17m
13FE ²	\$27,836	3h 07m / 7h 04m	2h 12m / 5h 05m	22FE ³	\$49,329	3h 04m / 7h 05m
14FE ³	\$32,322	4h 26m / 10h 04m	3h 08m / 7h 14m			
15FE ³	\$46,953	7h 20m / 16h 38m	5h 10m / 11h 57m			

Rackmount: 2.1–7 kVA

Battery Pack	List Price	FER2.1 kVA	FER3.1 kVA	FER7 kVA
1RE	\$4,781	1h 41m / 3h 54m	57m / 2h 27m	-
2RE	\$8,297	2h 50m / 6h 37m	1h 41m / 4h 03m	-
EBPS4.3R	\$4,698	-	-	12m / 33m

1. Requires FERRUPS UPS to be configured with optional 15 Amp battery charger.

2. Requires FERRUPS UPS to be configured with optional 10 Amp battery charger.

3. Requires FERRUPS UPS to be configured with optional 20 Amp battery charger.

Note: Backup times are approximate and vary with equipment, configuration, battery age, temperature etc.

EATON FERRUPS UPS EXTERNAL OPTIONS & ACCESSORIES

Powerware series (continued)

MAINTENANCE BYPASS SWITCHES

Part Number	Description	Application	List Price
BPE01MBB1A	BPE01 Make-Before-Break Maintenance Bypass Switch	For use with: FE500 VA–2.1 kVA with 120V input FE3.1 kVA with 120 V input and standard charger	\$682
BPE02BBM1A	BPE02 Break-Before-Make Maintenance Bypass Switch	For use with: FE500 VA–7 kVA with 208V or 220V input	\$934
BPE02MBB1A	BPE02 Make-Before-Break Maintenance Bypass Switch	For use with: FE3.1 kVA with 120V input and 15 Amp charger FE4.3 kVA with 120V input FE500 VA–FE7 kVA with 240V input	\$934
BPE04BBM1A	BPE04 Break-Before-Make Maintenance Bypass Switch	For use with: FE10 kVA–12.5 kVA with 208V input	\$1,117
BPE04MBB1A	BPE04 Make-Before-Break Maintenance Bypass Switch	For use with: FE5.3 kVA–7 kVA with 120V input FE10 kVA–FE12.5 kVA with 240V input	\$1,236
BPE05MBB1A	BPE05 Make-Before-Break Maintenance Bypass Switch	For use with: FE18 kVA with 240V input	\$1,544
BPE05BBM1A	BPE05 Break-Before-Make Maintenance Bypass Switch	For use with: FE18 kVA with 208V input	\$1,376

Note: See FERRUPS CTO Configuration Guides for additional external maintenance bypass switch options.

SPARE PARTS KITS¹

Application	Low Voltage Part Number	High Voltage Part Number	List Price
FE500VA 60 Hz Tower	SPK-FALV	-	call
FE700VA 60 Hz Tower	SPK-FBLV	-	call
FE850VA 60 Hz Tower	SPK-FCLV	SPK-FCHV	call
FE1.15kVA 60 Hz Tower	SPK-FDLV	SPK-FDHV	call
FE1.4kVA 60 Hz Tower	SPK-FELV	SPK-FEHV	call
FE1.8kVA 60 Hz Tower	SPK-FFLV	SPK-FFHV	call
FE2.1kVA 60 Hz Tower	SPK-FGLV	SPK-FGHV	call
FE3.1kVA 60 Hz Tower	SPK-FHLV	SPK-FHHV	call
FE4.3kVA 60 Hz Tower, with 5 Amp Battery Charger	SPK-FILV-5A	SPK-FIHV-5A	call
FE4.3kVA 60 Hz Tower, with 10 Amp Battery Charger	SPK-FILV-10A	SPK-FIHV-10A	call
FE4.3kVA 60 Hz Tower, with 20 Amp Battery Charger	SPK-FILV-20A	SPK-FIHV-20A	call
FE5.3kVA 60 Hz Tower, with 5 Amp Battery Charger	SPK-FJLV-5A	SPK-FJHV-5A	call
FE5.3kVA 60 Hz Tower, with 10 Amp Battery Charger	SPK-FJLV-10A	SPK-FJHV-10A	call
FE5.3kVA 60 Hz Tower, with 20 Amp Battery Charger	SPK-FJLV-20A	SPK-FJHV-20A	call
FE7kVA 60 Hz Tower, with 5 Amp Battery Charger	SPK-FKLV-5A	SPK-FKHV-5A	call
FE7kVA 60 Hz Tower, with 10 Amp Battery Charger	SPK-FKLV-10A	SPK-FKHV-10A	call
FE7kVA 60 Hz Tower, with 20 Amp Battery Charger	SPK-FKLV-20A	SPK-FKHV-20A	call
FE10kVA 60 Hz Tower, with 5 Amp Battery Charger	-	SPK-FLHV-5A	call
FE10kVA 60 Hz Tower, with 10 Amp Battery Charger	-	SPK-FLHV-10A	call
FE10kVA 60 Hz Tower, with 20 Amp Battery Charger	-	SPK-FLHV-20A	call
FE12.5kVA 60 Hz Tower, with 5 Amp Battery Charger	-	SPK-FMHV-5A	call
FE12.5kVA 60 Hz Tower, with 10 Amp Battery Charger	-	SPK-FMHV-10A	call
FE12.5kVA 60 Hz Tower, with 20 Amp Battery Charger	-	SPK-FMHV-20A	call
FE18kVA 60 Hz Tower, with 5 Amp Battery Charger	-	SPK-FNHV-5A	call
FE18kVA 60 Hz Tower, with 10 Amp Battery Charger	-	SPK-FNHV-10A	call
FE18kVA 60 Hz Tower, with 20 Amp Battery Charger	-	SPK-FNHV-20A	call
FES850VA 60 Hz rack	SPK-RALV	SPK-RAHV	call
FES1.4kVA 60 Hz rack	SPK-RCLV	-	call
FER or FES2.1kVA 60 Hz rack	SPK-RHLV	-	call
FER or FES3.1kVA 60 Hz rack	-	SPK-RIHV	call
FER7kVA 60 Hz rack, with 5 Amp Battery Charger	SPK-RKLV-5A	SPK-RKHV-5A	call
FER7kVA 60 Hz rack, with 10 Amp Battery Charger	SPK-RKLV-10A	SPK-RKHV-10A	call

1. Spare parts kits must be ordered at time of FERRUPS UPS order.

EATON BLADEUPS



An Eaton Green Solution

Double-conversion on-demand (8–60 kW)

The Eaton BladeUPS is a revolutionary power quality solution, expanding power protection from 8 kW

to 60 kW in a single industry standard 19-inch rack, and, most significantly, providing this robust, compact solution without generating the additional heat associated with legacy end-of-row, modular UPS products.

- Achieves the highest power density in the marketplace
- Requires only six rack units (6U) per unit
- Reduces single points of failure with an intelligent bypass design that eliminates human error
- Provides the ultimate in reliability through a peer-to-peer paralleling relationship
- Includes one year local (250 km) 5x8 Corrective warranty, Local 5x8 start-up



BLADEUPS (12 kW) MODELS: 208V

Description	Style Number	Rating	Input/Output Voltage	Dimensions (H x W x D, inches)	Weight ¹ (lb)	List Price
BladeUPS 12 kW 208V w/60A 5W in/5W out	ZC1212200100000	12 kVA (12 kW)	208/208	10.5 (6U) x 17.3 x 28.0	322	\$15,849
BladeUPS 12 kW 208V w/60A 5W in/4W out	ZC1212600100000	12 kVA (12 kW)	208/208	10.5 (6U) x 17.3 x 28.0	321	\$15,784
BladeUPS 12 kW 208V w/60A 5W in/RPM ONLY	ZC1212000100000	12 kVA (12 kW)	208/208	10.5 (6U) x 17.3 x 28.0	321	\$15,590
BladeUPS 12 kW 208V w/parallel cord	ZC121P060100000	12 kVA (12 kW)	208/208	10.5 (6U) x 17.3 x 28.0	311	\$15,849
BladeUPS 12 kW 208V w/60A 5W in/5W out w/Power Xpert SNMP/ModBus	ZC1212208100000	12 kVA (12 kW)	208/208	10.5 (6U) x 17.3 x 28.0	322	\$16,431
BladeUPS 12 kW 208V w/60A 5W in/4W out w/Power Xpert SNMP/ModBus	ZC1212608100000	12 kVA (12 kW)	208/208	10.5 (6U) x 17.3 x 28.0	321	\$16,366
BladeUPS 12 kW 208V w/parallel cord w/Power Xpert SNMP/ModBus	ZC121P068100000	12 kVA (12 kW)	208/208	10.5 (6U) x 17.3 x 28.0	311	\$16,431
BladeUPS 8 kW 208V w/ NEMA L21-30P in / L21-30R out	ZC0811100100000	8 kVA (8 kW)	208/208	10.5 (6U) x 17.3 x 28.0	311	\$11,004

1. All weights are installed weight, add 80 lb to determine shipping weight
2. 5W in (wired input plug) is model IEC309-60 HBL560P9W or similar
3. 5W out (output connector) is model IEC309-60 HBL560C9W or similar
4. 4W out (output connector) is model IEC309-60 HBL460C9W or similar

BLADEUPS (12 kW) MODELS: 400V

Description	Style Number	Rating	Input/Output Voltage	Dimensions (H x W x D, inches)	Weight ¹ (lb)	List Price
BladeUPS 12 kW 400V w/IEC 309-32A 5W in/5W out	ZC1224400100000	12 kVA (12 kW)	400/400	10.5 (6U) x 17.3 x 28.0	318	\$15,849
BladeUPS 12kW 400V w/IEC 309-32A 5W in/5W out w/PXGX SNMP/ModBus	ZC1224408100000	12 kVA (12 kW)	400/400	10.5 (6U) x 17.3 x 28.0	314	\$16,431
BladeUPS 12 kW 400V w/IEC 309-32A 5W in/ RPM ONLY out	ZC1224000100000	12 kVA (12 kW)	400/400	10.5 (6U) x 17.3 x 28.0	317	\$15,590
BladeUPS 12kW 400V w/IEC 309-32A 5W in/ RPM ONLY out w/PXGX SNMP/ModBus	ZC1224008100000	12 kVA (12 kW)	400/400	10.5 (6U) x 17.3 x 28.0	318	\$16,172
BladeUPS 12 kW 400V w/parallel cord	ZC122P060100000	12 kVA (12 kW)	400/400	10.5 (6U) x 17.3 x 28.0	314	\$15,849
BladeUPS 12kW 400V w/parallel cord w/PXGX SNMP/ModBus	ZC122P068100000	12 kVA (12 kW)	400/400	10.5 (6U) x 17.3 x 28.0	317	\$16,431

1. All weights are installed weight, add 80 lb to determine shipping weight
2. 5W in (wired input plug) is model IEC309-32 HBL532P6W or similar
3. 5W out (output connector) in model IEC309-32 HBL532C6W or similar

Note: BladeUPS EBMs are not TAA Compliant

BUILT-IN CONNECTIVITY OPTIONS

Option	Select digit "8" in the Style Number	Value for Style Number digit 8	Price Adder
X-Slot 2	Standard Relay Card (<60 Vac rated, IBM AS/400)	3	\$187
	Industrial Relay Card (5A @ 250 Vac)	4	\$428
	Hot Sync CAN Bridge Card	6	\$663
Option	Select digit "9" in the Style Number	Value for Style Number digit 9	Price Adder
X-Slot 1	Standard Relay Card (<60 Vac rated, IBM AS/400)	3	\$187
	Industrial Relay Card (5A @ 250 Vac)	4	\$428
	Power Xpert Gateway UPS Card (Web/SNMP/ModBusTCP)	8	\$575

Note: All parallel configured systems include a Hot Sync CAN Bridge card in the standard part number

EATON BLADEUPS (continued)

BLADEUPS (12–60 kW) MODELS: PRE-ASSEMBLED SYSTEMS IN S-SERIES RACK

Factory Installed and Tested UPS Systems in Eaton 42U Rack

Description	Style Number	Rating	Input/Output Voltage	Dimensions ¹ (H x W x D, inches)	Weight ² (lb)	List Price
BladeUPS Pre-Assembled Bottom Entry 12 kW, 208V	ZP21110XXXXX000	12 kVA (12 kW)	208/208	81.0 x 24.0 x 42.0	683	\$24,153
BladeUPS Pre-Assembled Bottom Entry 12 kW, 208V w/(1) Power Xpert SNMP/ModBus	ZP21115XXXXX000	12 kVA (12 kW)	208/208	81.0 x 24.0 x 42.0	683	\$24,735
BladeUPS Pre-Assembled Bottom Entry 24 kW, 208V	ZP212100XXXX000	24 kVA (24 kW)	208/208	81.0 x 24.0 x 42.0	994	\$39,031
BladeUPS Pre-Assembled Bottom Entry 24 kW, 208V w/(1) Power Xpert SNMP/ModBus	ZP212150XXXX000	24 kVA (24 kW)	208/208	81.0 x 24.0 x 42.0	994	\$39,614
BladeUPS Pre-Assembled Bottom Entry 36 kW, 208V	ZP21310000XX000	36 kVA (36 kW)	208/208	81.0 x 24.0 x 42.0	1316	\$52,746
BladeUPS Pre-Assembled Bottom Entry 36 kW, 208V w/(1) Power Xpert SNMP/ModBus	ZP21315000XX000	36 kVA (36 kW)	208/208	81.0 x 24.0 x 42.0	1316	\$53,328
BladeUPS Pre-Assembled Bottom Entry 48 kW, 208V	ZP21410000XX000	48 kVA (48 kW)	208/208	81.0 x 24.0 x 42.0	1638	\$64,519
BladeUPS Pre-Assembled Bottom Entry 48 kW, 208V w/(1) Power Xpert SNMP/ModBus	ZP21415000XX000	48 kVA (48 kW)	208/208	81.0 x 24.0 x 42.0	1638	\$65,101
BladeUPS Pre-Assembled Bottom Entry 60 kW, 208V	ZP215100000X000	60 kVA (60 kW)	208/208	81.0 x 24.0 x 42.0	1960	\$81,209
BladeUPS Pre-Assembled Bottom Entry 60 kW, 208V w/(1) Power Xpert SNMP/ModBus	ZP215150000X000	60 kVA (60 kW)	208/208	81.0 x 24.0 x 42.0	1960	\$81,791
BladeUPS Pre-Assembled Bottom Entry 60 kW N+1, 208V	ZP2161000000000	60 kVA (60 kW) N+1	208/208	81.0 x 24.0 x 42.0	2282	\$96,346
BladeUPS Pre-Assembled Bottom Entry 60 kW N+1, 208V w/(1) Power Xpert SNMP/ModBus	ZP2161500000000	60 kVA (60 kW) N+1	208/208	81.0 x 24.0 x 42.0	2282	\$96,928
BladeUPS Pre-Assembled Top Entry 12 kW, 208V	ZP22110XXXXX000	12 kVA (12 kW)	208/208	81.0 x 24.0 x 42.0	683	\$24,153
BladeUPS Pre-Assembled Top Entry 12 kW, 208V, w/Power Xpert SNMP/ModBus	ZP22115XXXXX000	12 kVA (12 kW)	208/208	81.0 x 24.0 x 42.0	683	\$24,735
BladeUPS Pre-Assembled Top Entry 24 kW, 208V	ZP222100XXXX000	24 kVA (24 kW)	208/208	81.0 x 24.0 x 42.0	994	\$39,031
BladeUPS Pre-Assembled Top Entry 24 kW, 208V, w/Power Xpert SNMP/ModBus	ZP222150XXXX000	24 kVA (24 kW)	208/208	81.0 x 24.0 x 42.0	994	\$39,614
BladeUPS Pre-Assembled Top Entry 36 kW, 208V	ZP22310000XX000	36 kVA (36 kW)	208/208	80.0 x 24.0 x 42.0	1316	\$52,746
BladeUPS Pre-Assembled Top Entry 36 kW, 208V, w/Power Xpert SNMP/ModBus	ZP22315000XX000	36 kVA (36 kW)	208/208	80.0 x 24.0 x 42.0	1316	\$53,328
BladeUPS Pre-Assembled Top Entry 48 kW, 208V	ZP22410000XX000	48 kVA (48 kW)	208/208	81.0 x 24.0 x 42.0	1638	\$64,519
BladeUPS Pre-Assembled Top Entry 48 kW, 208V, w/Power Xpert SNMP/ModBus	ZP22415000XX000	48 kVA (48 kW)	208/208	81.0 x 24.0 x 42.0	1638	\$65,101
BladeUPS Pre-Assembled Top Entry 60 kW, 208V	ZP225100000X000	60 kVA (60 kW)	208/208	81.0 x 24.0 x 42.0	1960	\$81,209
BladeUPS Pre-Assembled Top Entry 60 kW, 208V, w/Power Xpert SNMP/ModBus	ZP225150000X000	60 kVA (60 kW)	208/208	81.0 x 24.0 x 42.0	1960	\$81,791
BladeUPS Pre-Assembled Top Entry 60 kW N+1, 208V	ZP2261000000000	60 kVA (60 kW) N+1	208/208	81.0 x 24.0 x 42.0	2282	\$96,346
BladeUPS Pre-Assembled Top Entry 60 kW N+1, 208V, w/Power Xpert SNMP/ModBus	ZP2261500000000	60 kVA (60 kW) N+1	208/208	81.0 x 24.0 x 42.0	2282	\$96,928

1. Shipping dimensions are 87"H x 37"W x 60"D. If more than 4 units are installed batteries for 5th and 6th units will ship on a separate pallet maximum 15"H x 32"W x 48"D. Total shipping weight for configurations of 4 UPS modules or less is installed weight plus 345 lbs. For configurations of 5 or 6 UPS modules add 391 lbs. to installed weight.

Additional notes: Factory-installed connectivity for Pre-Assembled Systems: Style Number digits 7 thru 12 (based in number of systems installed) represent the communication card(s) installed in the system. 0 = No connectivity, 2 = ModBus RTU, 3 = Standard relay card, 4 = Industrial relay card, 5 = Power Xpert Gateway UPS Card For systems with more than one UPS module, additional cards can be installed. Please visit the Connectivity Products section for card information, including pricing.

EATON BLADEUPS (continued)

BLADEUPS (12–48 kW) MODELS: PRE-ASSEMBLED SYSTEMS IN S-SERIES RACK

Factory Installed and Tested UPS Systems in Eaton 42U Rack. System capable of expansion to maximum of 48kW

Description	Style Number	Rating	Input/Output Voltage	Dimensions ¹ (H x W x D, inches)	Weight ² (lb)	List Price
BladeUPS Pre-Assembled Bottom Entry 12 kW, 208V	ZP23110XXXXX000	12 kVA (12 kW)	208/208	81.0 x 24.0 x 42.0	661	\$23,118
BladeUPS Pre-Assembled Bottom Entry 12 kW, 208V w/(1) Power Xpert SNMP/ModBus	ZP23115XXXXX000	12 kVA (12 kW)	208/208	81.0 x 24.0 x 42.0	661	\$23,700
BladeUPS Pre-Assembled Bottom Entry 24 kW, 208V	ZP232100XXXX000	24 kVA (24 kW)	208/208	81.0 x 24.0 x 42.0	972	\$37,996
BladeUPS Pre-Assembled Bottom Entry 24 kW, 208V w/(1) Power Xpert SNMP/ModBus	ZP232150XXXX000	24 kVA (24 kW)	208/208	81.0 x 24.0 x 42.0	972	\$38,579
BladeUPS Pre-Assembled Bottom Entry 36 kW, 208V	ZP2331000XXX000	36 kVA (36 kW)	208/208	81.0 x 24.0 x 42.0	1294	\$51,711
BladeUPS Pre-Assembled Bottom Entry 36 kW, 208V w/(1) Power Xpert SNMP/ModBus	ZP2331500XXX000	36 kVA (36 kW)	208/208	81.0 x 24.0 x 42.0	1294	\$52,293
BladeUPS Pre-Assembled Bottom Entry 48 kW, 208V	ZP23410000XX000	48 kVA (48 kW)	208/208	81.0 x 24.0 x 42.0	1616	\$63,484
BladeUPS Pre-Assembled Bottom Entry 48 kW, 208V w/(1) Power Xpert SNMP/ModBus	ZP23415000XX000	48 kVA (48 kW)	208/208	81.0 x 24.0 x 42.0	1616	\$64,066
BladeUPS Pre-Assembled Top Entry 12 kW, 208V	ZP24110XXXXX000	12 kVA (12 kW)	208/208	81.0 x 24.0 x 42.0	661	\$23,118
BladeUPS Pre-Assembled Top Entry 12 kW, 208V, w/Power Xpert SNMP/ModBus	ZP24115XXXXX000	12 kVA (12 kW)	208/208	81.0 x 24.0 x 42.0	661	\$23,700
BladeUPS Pre-Assembled Top Entry 24 kW, 208V	ZP242100XXXX000	24 kVA (24 kW)	208/208	81.0 x 24.0 x 42.0	972	\$37,996
BladeUPS Pre-Assembled Top Entry 24 kW, 208V, w/Power Xpert SNMP/ModBus	ZP242150XXXX000	24 kVA (24 kW)	208/208	81.0 x 24.0 x 42.0	972	\$38,579
BladeUPS Pre-Assembled Top Entry 36 kW, 208V	ZP2431000XXX000	36 kVA (36 kW)	208/208	80.0 x 24.0 x 42.0	1294	\$51,711
BladeUPS Pre-Assembled Top Entry 36 kW, 208V, w/Power Xpert SNMP/ModBus	ZP2431500XXX000	36 kVA (36 kW)	208/208	80.0 x 24.0 x 42.0	1294	\$52,293
BladeUPS Pre-Assembled Top Entry 48 kW, 208V	ZP24410000XX000	48 kVA (48 kW)	208/208	81.0 x 24.0 x 42.0	1616	\$63,484
BladeUPS Pre-Assembled Top Entry 48 kW, 208V, w/Power Xpert SNMP/ModBus	ZP24415000XX000	48 kVA (48 kW)	208/208	81.0 x 24.0 x 42.0	1616	\$64,070

1. Shipping dimensions are 87"H x 37"W x 60"D. If more than 4 units are installed batteries for 5th and 6th units will ship on a separate pallet maximum 15"H x 32"W x 48"D. Total shipping weight for configurations of 4 UPS modules or less is installed weight plus 345 lbs. For configurations of 5 or 6 UPS modules add 391 lbs. to installed weight.

Additional notes: Factory-installed connectivity for Pre-Assembled Systems: Style Number digits 7 thru 12 (based in number of systems installed) represent the communication card(s) installed in the system. 0 = No connectivity, 2 = ModBus RTU, 3 = Standard relay card, 4 = Industrial relay card, 5 = Power Xpert Gateway UPS Card For systems with more than one UPS module, additional cards can be installed. Please visit the Connectivity Products section for card information, including pricing.

BLADEUPS ASSEMBLIES

Description	Style Number	Part Number	Nominal Voltage	Dimensions (H x W x D, inches)	Weight (lb)	List Price
S-Series Rack with 48kW BladeUPS Parallel bar Top w/wireway	P-103000505	ETN-BLADERACK4T	208V or 400V	81.0 x 24.0 x 42.0	452	\$7,522
S-Series Rack with 48kW BladeUPS Parallel bar Bottom w/wireway	P-103000506	ETN-BLADERACK4B	208V or 400V	81.0 x 24.0 x 42.0	452	\$7,522
S-Series Rack with 60kW BladeUPS Parallel bar Top w/wireway	P-103000503	ETN-BLADERACK6T	208V or 400V	81.0 x 24.0 x 42.0	466	\$8,543
S-Series Rack with 60kW BladeUPS Parallel bar Bottom w/wireway	P-103000504	ETN-BLADERACK6B	208V or 400V	81.0 x 24.0 x 42.0	466	\$8,543

EATON BLADEUPS (continued)

BLADEUPS OPTIONS

Description	Style Number	Dimensions (H x W x D, inches)	Weight (lb)	List Price
Extended Battery Modules				
BladeUPS 3U EBM ^{1,2}	103005747-6591	5.2 (3U) x 17.2 x 26.0	170	\$2,227
S-Series Rack (Used to install extra EBMs or MBM)				
S-Series 42Ux24"x42" w/Side Panels, Castors	ETN-ENC422442SB	80.5 (42U) x 24 x 42	2,200	\$2,700
S-Series 42Ux24"x42" w/divider, Castors	ETN-ENC422442S	80.5 (42U) x 24 x 42	2,200	\$2,356
Extension Cable				
BladeUPS 3 Ft EBM Extension Cable	103006348-001	2.4 x 8.5 x 9.7	2	\$319

1. Shipped on pallet with dimensions of 5x40x48. Up to 8 EBMS can be shipped stacked on the same pallet. Contact Customer Care for more information.

2. BladeUPS EBMs are not TAA Compliant

Maintenance Bypass

BladeUPS Maintenance Bypass Module, 208V	103007415-5208	10.5 (6U) x 17.3 x 29.6	76	\$7,905
BladeUPS Maintenance Bypass Module, 400V	103007415-5400	10.5 (6U) x 17.3 x 29.6	76	\$7,905

UPS Paralleling

BladeUPS 60 kW Bus Bar, Bottom Entry	103007571-5591 ²	71.9 x 6.0 x 5.7	54	\$4,843
BladeUPS 60 kW Bus Bar, Top Entry	103007573-5591 ²	71.9 x 6.0 x 5.7	54	\$4,843
BladeUPS 60 kW Universal Wireway	103007569-5591 ²	10.4 (6U) x 19.0 x 34.0	45	\$1,844
BladeUPS 48 kW BusBar, Top Entry	103007828-5591 ²	51.0 x 6.0 x 5.7	40	\$4,077
BladeUPS 48 kW BusBar, Bottom Entry	103007830-5591 ²	51.0 x 6.0 x 5.7	40	\$4,077

2. Please consult Application Engineering when purchasing this item.

3. All bus bar assemblies are rated for 208 or 400V installations.

4. Add 15 lbs for shipping material

Distribution Options

See ePDU options in the Eaton Power Distribution and Enclosures section of this book.

SOFTWARE AND CONNECTIVITY OPTIONS

Bundled with Intelligent Power Software Suite CD and communication cable. See the software and connectivity product sections for more detail.

SERVICES

For detailed information on service plans, please refer to the Three-phase Service section on page 114.

EATON BLADEUPS (continued)

BLADEUPS BATTERY BACKUP TIMES (in minutes)

Load (kW)	Internal Battery	+1 EBM	+2 EBMs	+3 EBMs	+4 EBMs
2	44	85	137	199	258
3	30	56	89	128	165
4	23	42	66	94	120
5	18	33	51	73	94
6	13.6	27	42	60	76
7	11	23	32	50	64
8	9	18	28	43	55
9	7	15	24	38	48
10	6	13	22	33	42
11	5	11	20	30	38
12	4.7	9.5	17	27	34

Note: Backup times are approximate and may vary with equipment, configuration, battery age, temperature, etc.

1 For parallel installations, add same number of EBMs to each 12kW UPS module.

BLADEUPS BATTERY BACKUP TIMES (Parallel UPS, in minutes)

Number of UPS Modules	Total Load (kW)	Configuration	Internal Battery	+1 EBM	+2 EBMs	+3 EBMs	+4 EBMs
2	12	N+1	14	27	42	60	76
3	24	N+1	8.7	18	28	43	55
4	36	N+1	7.3	15	24	38	48
5	48	N+1	6.7	13	23	35	44
6	60	N+1	6.2	13	22	33	42

BLADEUPS OPTIONS: RACK POWER MODULE (RPM)

The RPM delivers up to 36 kW of power in an organized manner to loads of various voltages, power cords and layouts. The 3U RPM can be deployed in the same rack with the UPS and IT equipment; there's no need for a dedicated infrastructure rack. The resulting architecture has fewer cables to manage, fewer distribution points to monitor, and greater flexibility for IT personnel make changes without an electrician.



- Provides plug-and-play primary distribution of power from three-phase input source to secondary power distribution devices
- Serves data center loads with various voltages, power cord configurations and layouts
- Distributes three-phase power to 12 poles, with choice of output receptacle types
- "Power Equalizer" LED gives quick visual indication of each circuits load, reducing possibility of overloads and breakers tripped offline
- Load information available from the front of the rack, no need to check individual power strips in the rear of the cabinet (hot isle)
- Branch circuit monitoring option allows easy load monitoring over the network, with Power Xpert infrastructure
- Installs in only 3U of space in EIA 19-inch rack or Enclosure (or optional wall-mount), all hardware included
- Enables customer installation and changes without the services of a licensed electrician

RPM DIMENSIONS

	Dimensions (H x W x D, inches)	Dimensions (H x W x D, mm)	Weight (lb)	Weight (kg)
Installed	5.2 x 17.4 x 26.3	132 x 442 x 668	32	15
Shipped	16.2 x 21.5 x 31.0	5.2 x 17.4 x 26.3	44	20

RPM TOPSELLERS

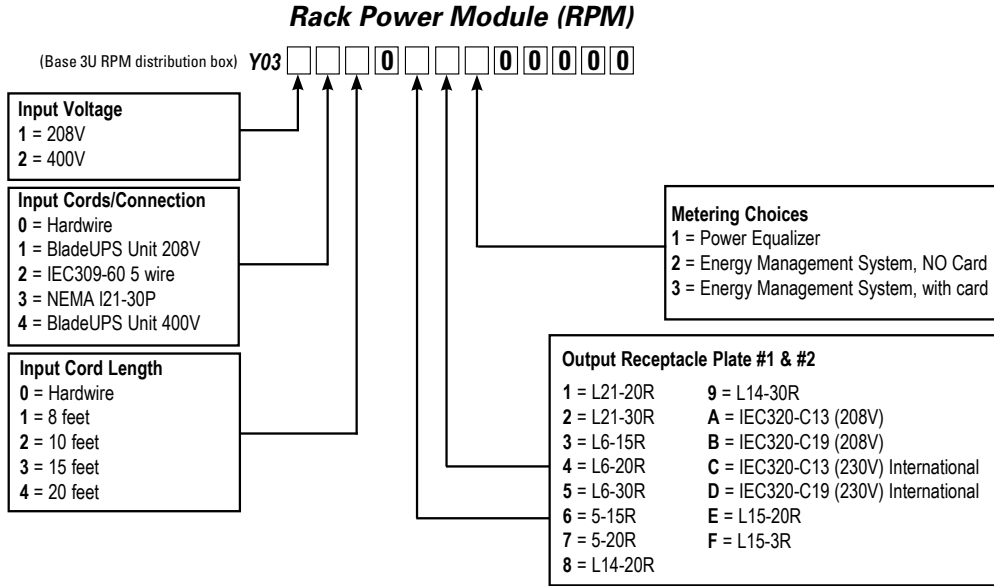
Topseller RPMs are the most popular configurations.

Part Number	Input Cable	Receptacles		Metering	List Price
		Recep 1 (Qty)	Recep 2 (Qty)		
Y03113011100000	BladeUPS 208V 15'	L21-20 (2)	L21-20 (2)	Power Equalizer	\$3,560
Y03113022100000	BladeUPS 208V 15'	L21-30 (2)	L21-30 (2)	Power Equalizer	\$3,675
Y03114022100000	BladeUPS 208V 20'	L21-30 (2)	L21-30 (2)	Power Equalizer	\$3,771
Y03113055100000	BladeUPS 208V 15'	L6-30 (3)	L6-30 (3)	Power Equalizer	\$3,050
Y03113047100000	BladeUPS 208V 15'	L6-20 (3)	5-20 (6)	Power Equalizer	\$3,095
Y03113017100000	BladeUPS 208V 15'	L21-20 (2)	5-20 (6)	Power Equalizer	\$3,273
Y03113027100000	BladeUPS 208V 15'	L21-30 (2)	5-20 (6)	Power Equalizer	\$3,331
Y031220AA300000	IEC309-60 (60A) 10'	IEC C13 (12)	IEC C13 (12)	Energy Management	\$4,728
Y03100044100000	Hardwire (208V)	L6-20 (3)	L6-20 (3)	Power Equalizer	\$3,075
Y03100077100000	Hardwire (208V)	5-20 (6)	5-20 (6)	Power Equalizer	\$2,859
Y032420CD100000	BladeUPS 400V 10'	IEC C13 (12)	IEC C19 (6)	Power Equalizer	\$2,865
Y032440CD100000	BladeUPS 400V 20'	IEC C13 (12)	IEC C19 (6)	Power Equalizer	\$3,069
Y032000CC300000	Hardwire (400V)	IEC C13 (12)	IEC C13 (12)	Energy Management	\$4,179

EATON BLADEUPS (continued)

RPM ACCESSORIES

Description	Part Number	List Price
RPM wall-mount bracket kit	103006226	\$262



RACK POWER MODULE CONFIGURATOR

Description	Quantity	Part Number Digit	Value	List Price
Base 3U RPM Distribution Box	-	1	Y	
		2	0	
		3	3	
Input Voltage	208V	-	4	\$2,138
	400V		2	\$2,138
Input Cords: Connection	Hardwired	-	5	0
	BladeUPS Unit 208V		1	
	IEC309-60 5 wire		2	
	NEMA L21-30P		3	
	BladeUPS Unit 400V		4	
Input Cords: Length	Hardwired	-	6	0
	8 feet	-	1	BladeUPS Unit 208V \$217 IEC309-60 5 wire \$817 NEMA L21-30P \$160 BladeUPS Unit 400V \$217
	10 feet	-	2	BladeUPS Unit 208V \$294 IEC309-60 5 wire \$823 NEMA L21-30P \$179 BladeUPS Unit 400V \$294
	15 feet	-	3	BladeUPS Unit 208V \$402 IEC309-60 5 wire \$900 NEMA L21-30P \$198 BladeUPS Unit 400V \$402
	20 feet	-	4	BladeUPS Unit 208V \$498 IEC309-60 5 wire \$1,015 NEMA L21-30P \$224 BladeUPS Unit 400V \$498
Future Option		-	7	0

EATON BLADEUPS (continued)

RACK POWER MODULE CONFIGURATOR (continued)

Description	Quantity	Part Number Digit	Value	List Price	
Output Receptacle Plate #1 & Output Receptacle Plate #2	L21-20R	2	8 & 9	1	\$511
	L21-30R	2		2	\$568
	L6-15R	3		3	\$313
	L6-20R	3		4	\$332
	L6-30R	3		5	\$256
	5-15R	6		6	\$217
	5-20R	6		7	\$224
	L14-20R	3		8	\$230
	L14-30R	3		9	\$313
	IEC320-C13 (208V)	12		A	\$230
	IEC320-C19 (208V)	6		B	\$205
	IEC320-C13 (230V)	12		C	\$230
	IEC320-C19 (230V)	6		D	\$205
	L15-20	2		E	\$511
	L15-30	2		F	\$568
Metering Choices	Power Equalizer	-	10	1	-
	Energy Management System, NO card	-		2	\$887
	Energy Management System, with card	-		3	\$1,308
Future Option	None	-	11	0	-
		-	12	0	-
		-	13	0	-
		-	14	0	-
		-	15	0	-

How to order: 1. Select base model voltage (208V or 400V), 2. Select input connector option, 3. Select input cord length (corded units only), 4. Select first receptacle plate option, 5. Select second receptacle plate option, 6. Select metering option.

Example of configured model part number: Y03111022300000

BLADEUPS OPTIONS: EATON BLADEUPS PDU WITH MAINTENANCE BYPASS

K-1 RATED TP-1 TRANSFORMER, 480V IN 208V OUT AND (2) 42-POLE PANELBOARDS

The Eaton BladeUPS PDU with Maintenance Bypass saves money and space in the data center or network operations center while offering three functions in one cabinet. The BladeUPS PDU combines step-down transformation, power distribution (up to 84 pole positions) and maintenance bypass into a single cabinet—the perfect complement to a 60 kVA BladeUPS system.

- TP-1, K1-rated input transformer—Energy-star efficiency, 480-208/120V, along with integral voltage transformation, electrical isolation and high efficiency
- Integrated maintenance bypass, including maintenance bypass breaker, rectifier input breaker and UPS output breaker, all rated for 225A, for high availability
- Available with up to two Eaton PRL-1a 42-pole panelboards, or up to four subfeed breakers or full rated lugs. PRL-1a panels accept BAB or QBHW style breakers
- Multiple power functions in a single cabinet mean efficient use of space
- Free-standing, easy-access design that complements other modern data center equipment while providing ease of installation and use for flexible access and deployment options
- Warranty: Eighteen months



EATON BLADEUPS PDU WITH MAINTENANCE BYPASS

Catalog Number	Style Number	Description	Rating (VA/Watts)	Input Connection	Output Receptacles	Dimensions (H x W x D, inches)	Weight (lb)	List Price
124100029-001	124100029-001	PDU for 60 kVA BladeUPS – 2 panels – 480:208V	60 kVA/60 kW	AC input 480V 3 phase 3 wire, ground, 60 Hz	(2) 42-pole panelboards (branch breakers not included)	80 x 30 x 36	1200	\$29,589

EATON BLADEUPS (continued)

EATON BLADEUPS PDU WITH MAINTENANCE BYPASS (continued)

Catalog Number	Style Number	Description	Rating (VA/Watts)	Input Connection	Output Receptacles	Dimensions (H x W x D, inches)	Weight (lb)	List Price
124100029-002	PTE06056BAS4100	PDU with bypass w/ 1 42 pole panelboard	60 kVA/60 kW	Hardwire 480 vac	(1) 42 pole panelboard Eaton PRL1	80 x 30 x 36	1150	\$29,002
124100029-003	PTE06056BAS41LL	PDU with bypass w/ 1 42 pole panelboard, full rated output lugs	60 kVA/60 kW	Hardwire 480 vac	(1) 42 pole panelboard Eaton PRL1, full output lugs	80 x 30 x 36	1170	\$29,883
124100029-004	PTE06056BAS412A	PDU with bypass w/ 1 42 pole panelboard, 2 subfeed breakers	60 kVA/60 kW	Hardwire 480 vac	(1) 42 pole panelboard Eaton PRL1, 2 subfeed breakers	80 x 30 x 36	1210	\$30,036
124100029-005	PTE06056BAS413A	PDU with bypass w/ 1 42 pole panelboard, 3 subfeed breakers	60 kVA/60 kW	Hardwire 480 vac	(1) 42 pole panelboard Eaton PRL1, 3 subfeed breakers	80 x 30 x 36	1225	\$34,616
124100029-006	PTE06056BAS414A	PDU with bypass w/ 1 42 pole panelboard, 4 subfeed breakers	60 kVA/60 kW	Hardwire 480 vac	(1) 42 pole panelboard Eaton PRL1, 4 subfeed breakers	80 x 30 x 36	1240	\$36,683
124100029-007	PTE06056BAS40LL	PDU with bypass w/ full rated output lugs	60 kVA/60 kW	Hardwire 480 vac	Full rated output lugs	80 x 30 x 36	1100	\$29,117
124100029-008	PTE06056BAS402A	PDU with bypass w/ 2 subfeed breakers	60 kVA/60 kW	Hardwire 480 vac	2 subfeed breakers	80 x 30 x 36	1130	\$32,243
124100029-009	PTE06056BAS403A	PDU with bypass w/ 3 subfeed breakers	60 kVA/60 kW	Hardwire 480 vac	3 subfeed breakers	80 x 30 x 36	1145	\$34,144
124100029-010	PTE06056BAS404A	PDU with bypass w/ 4 subfeed breakers	60 kVA/60 kW	Hardwire 480 vac	4 subfeed breakers	80 x 30 x 36	1160	\$36,250
124100029-011	PTE06056BAS42LL	PDU with bypass w/ 2 42 pole panelboard, full rated output lugs	60 kVA/60 kW	Hardwire 480 vac	(2) 42 pole panelboard Eaton PRL1, full output lugs	80 x 30 x 36	1210	\$30,482
124100029-014	124100029-014	PDU for 60 kVA (No XFMR) BladeUPS – 2 panels – 208:208V	60 kVA/60 kW	Hardwire 208 vac	(2) 42 pole panelboards (branch breakers not included)	80 x 30 x 36	656	\$25,392

Note:

1. Please contact Pre-sales Support to specify what trip ratings are needed for the subfeed breakers.
2. All subfeed breakers are standard Eaton FD frames, rated at 225A trip.
3. The PDU with bypass should be discounted at the same multiplier level as the BladeUPS system.
4. Standard Panelboards accept BAB or QBH breakers. Contact Customer Care if other breakers are required.

EATON 9355 UPS

Powerware series

Double-conversion (10–15 kVA)

This innovative design delivers one of the industry's best combinations of high efficiency, low input current distortion and highest power factor, while conserving valuable space and offering the most cost-effective, highest performance option available today.

- True double-conversion topology protects equipment from all nine of the most common power problems
- Industry leading power density, providing up to 20 percent more power capacity in a compact tower design including batteries
- Up to 350 percent more standard runtime
- Up to a 74 percent footprint reduction and up to an 83 percent total size reduction
- Flexible on-board power distribution modules (PDMs) allow for hardwired output or up to 15 different output receptacle options, reducing installation and site preparation expenses
- Plug-and-play rack Enclosure power distribution with the 9355 on-board PDU
- Inherently scalable from 10–15 and 20–30 kVA, allowing you to pay as you grow or increase capacity with no additional hardware purchases or installation concerns
- Eaton's patented Hot Sync paralleling technology allows for wireless paralleling in the event of communications failure, providing the industry's only truly redundant paralleling technology
- Flexible 0 footprint extended run configurations allow for adding additional runtime in the same industry-leading compact footprint
- Includes rear-mounted bypass switch
- Includes on-site 5x8 startup and operator training by Eaton field technician
- Includes one year of eNotify remote monitoring service (requires connectivity parts and self installation)
- Includes one year local (250 km) 5x8 Corrective warranty, Local 5x8 start-up



9355 (10–15 kVA) MODELS

Description	Part Number ¹	Rating	Input/Output	Base	Dimensions (H x W x D, inches) ³	Weight (lb) ²	List Price
			Voltage	Runtime (min)			
PW9355 10 kVA with 32-Battery (2-high)	KA1011100000010	10 kVA/9 kW	208/208	8	32.2 x 12.0 x 33.7	373	\$17,953
PW9355 10 kVA with 64-Battery (3-high)	KA1012100000010	10 kVA/9 kW	208/208	22	47.8 x 12.0 x 33.7	609	\$19,987
PW9355 10 kVA with 32-Battery (2-high)	KA1011200000010	10 kVA/9 kW	220/220 ²	8	32.2 x 12.0 x 33.7	373	\$17,953
PW9355 10 kVA with 64-Battery (3-high)	KA1012200000010	10 kVA/9 kW	220/220 ²	22	47.8 x 12.0 x 33.7	609	\$19,987
PW9355 10 kVA with 32-Battery and input isolation transformer (3-high)	KA1013400000010	10 kVA/9 kW	480/208	8	47.8 x 12.0 x 33.7	577	\$22,876
PW9355 10 kVA with 32-Battery and input isolation transformer (3-high)	KA1013600000010	10 kVA/9 kW	600/208	8	47.8 x 12.0 x 33.7	577	\$22,876
PW9355 15 kVA with 32-Battery (2-high)	KA1511100000010	15 kVA/13.5 kW	208/208	4	32.2 x 12.0 x 33.7	373	\$19,502
PW9355 15 kVA with 64-Battery (3-high)	KA1512100000010	15 kVA/13.5 kW	208/208	13	47.8 x 12.0 x 33.7	609	\$21,584
PW9355 15 kVA with 32-Battery (2-high)	KA1511200000010	15 kVA/13.5 kW	220/220 ²	4	32.2 x 12.0 x 33.7	373	\$19,502
PW9355 15 kVA with 64-Battery (3-high)	KA1512200000010	15 kVA/13.5 kW	220/220 ²	13	47.8 x 12.0 x 33.7	609	\$21,584
PW9355 15 kVA with 32-Battery and input isolation transformer (3-high)	KA1513400000010	15 kVA/13.5 kW	480/208	4	47.8 x 12.0 x 33.7	577	\$24,136
PW9355 15 kVA with 32-Battery and input isolation transformer (3-high)	KA1513600000010	15 kVA/13.5 kW	600/208	4	47.8 x 12.0 x 33.7	577	\$24,136

1. 50/60 Hz auto-sensing.

2. 220V units are wye connected 220/127V input and 220/127V output, three-phase, 4-wire plus ground.

3. Add 47 lbs for 2-high configurations or 50 lbs for 3-high configurations to determine shipping weight.

4. An input neutral is required for all configurations unless the input isolation transformer is used.

5. For parallel systems, change CTO digit #5 to a "2" and add \$300 to the list price and include Parallel Tie Cabinet. Eaton startup is required for factory warranty of parallel configuration.

SURGE PROTECTION

See the surge protection product section for more details.

SOFTWARE AND CONNECTIVITY OPTIONS

Description	Part Number	List Price
Power Xpert Gateway UPS Card	PXGXUPS (103007974-5591)	\$621

Bundled with Intelligent Power Software Suite CD and communication cable. See the software and connectivity sections for more details.

SERVICES

For detailed information on service plans, please refer to the Three-phase Service section on page 114.

EATON 9355 UPS

Powerware series (continued)

9355 OPTIONS

Description	Part Number	Additional Information	Input/Output Voltage	Dimensions (H x W x D, inches)	Weight (lb)	List Price
PW9355 10-15 kVA 2-High Line & Match Extended Battery Module	103004192-5501	64 Batteries	-	32.2 x 12.0 x 30.2	480	\$6,595
PW9355 10-15 kVA 3-High Line & Match Extended Battery Module	103004193-5501	96 Batteries	-	47.8 x 12.0 x 30.2	710	\$9,409
PW9355 Wall Mount Parallel Tie Cabinet, 2-Breaker MBP (225A Bus, 200A Neutral, (1) 225A MBP, & (4) 80A MOB's)	124100020-001*	-	208V/208V	36.0 x 20.0 x 5.75	68'	\$1,844
PW9355 Wall Mount Parallel Tie Cabinet With MIS Breaker (225A MBP, 225A MIS, & (4) 80A MOB's)	124100020-002*	-	208V/208V	60 x 20.0 x 5.75	140	\$4,378
PW9355 Remote EPO Switch	103002939	Wall-mounted	-	-	-	\$511
PW9355 10-15 kVA Seismic Mounting Kit	103004194-5501	Zone 4 Kit	-	-	-	\$2,188
Remote Monitor Panel requires Industrial Relay X-Slot Card part		See section for Connectivity Options & Pricing				
CAN Bridge Parallel Card	103004336*	-	-	-	-	\$574

1. This is a net weight; please add 40 lb for the shipping weight of the panels and 50 lb for panels with panelboard provisions.

* Eaton startup is required for factory warranty of parallel configuration

9355 BYPASS PANELS

Description	Part Number	Input/Output Voltage	Dimensions (H x W x D, inches)	Weight (lb)	List Price
PW9355 15 kVA 3-breaker Maintenance Bypass Panel (100A Bus, 200A Neutral, & 60A MBP, MIB, MIS)	124100027-001	208V/208V	48.0 x 20.0 x 5.8	120	\$3,880
PW9355 15 kVA 3-breaker Maintenance Bypass Panel with integral 120 KA TVSS (100A Bus, 200A Neutral, & 60A MBP, MIB, MIS)	124100027-002	208V/208V	60.0 x 20.0 x 5.8	120	\$7,363
PW9355 15 kVA 3-breaker Maintenance Bypass Panel with 36-Pole Distribution Provisions (Cutler-Hammer GHB 65 kAIC)	124100027-003	208V/208V	72.0 x 20.0 x 5.8	210	\$4,330
PW9355 15 kVA 3-breaker Maintenance Bypass Panel with 36-Pole Distribution Provisions & Integrated TVSS (Cutler-Hammer GHB 65 kAIC)	124100027-004	208V/208V	90.0 x 20.0 x 5.8	225	\$7,984
PW9355 15 kVA 3-breaker Maintenance Bypass Panel with 36-Pole Distribution Provisions (Cutler-Hammer GHBW 22 kAIC)	124100027-006	208V/208V	72.0 x 20.0 x 5.8	210	\$4,330
PW9355 15 kVA 3-breaker Maintenance Bypass Panel with 36-Pole Distribution Provisions (Cutler-Hammer BAB 10 kAIC)	124100027-007	208V/208V	72.0 x 20.0 x 5.8	210	\$4,330
PW9355 15 kVA 3-breaker Maintenance Bypass Panel with 36-Pole Distribution Provisions & Integrated TVSS (Cutler-Hammer GBHW 22 kAIC)	124100027-008	208V/208V	90.0 x 20.0 x 5.8	225	\$7,984
PW9355 15 kVA 3-breaker Maintenance Bypass Panel with 36-Pole Distribution Provisions & Integrated TVSS (Cutler-Hammer BAB 10 kAIC)	124100027-009	208V/208V	90.0 x 20.0 x 5.8	225	\$7,984

1. This is a net weight; please add 40 lb for the shipping weight of the panels and 50 lb for panels with panelboard provisions.

OUTPUT RECEPTACLES

Receptacle Codes	(Qty) NEMA Type	Enter "Receptacle Code" into CTO Digits #	Price Adder for EACH Receptacle Code Chosen
2	(1) L15-30R	9, 10 or 11 only	\$238
3	(1) L21-20R	9, 10 or 11 only	\$238
4	(1) L21-30R	9, 10 or 11 only	\$238
A	(2) 5-15R	9,10,11,12	\$238
B	(2) 5-20R UL	9,10,11,12	\$238
D	(2) 6-15R	9,10,11,12	\$238
E	(2) 6-20R	9,10,11,12	\$238
F	(2) L5-15R	9,10,11,12	\$238
G	(1) L5-20R*	9,10,11,12	\$238
H	(1) L5-30R*	9,10,11,12	\$238
I	(2) L6-15R	9,10,11,12	\$238
J	(1) L6-20R*	9,10,11,12	\$238
K	(1) L6-30R*	9,10,11,12	\$238
L	(1) L14-20R*	9,10,11,12	\$238
M	(1) L14-30R*	9,10,11,12	\$238
X	Blank Panel	9,10,11,12	\$22
N	(2) IEC 320 C13 (120V)	9,10,11,12	\$238
P	(2) IEC 320 C19 (120V)	9,10,11,12	\$238

Note: Arrange receptacle codes in numerical-alphabetical order in digits 9 through 12 of the CTO number

Example 1: a PDM with an L21-20, an L14-30, and Qty 2 IEC320-C19 would have digits 9 through 12 of the CTO arranged as "3MPP"

Example 2: a PDM with a 5-15R, and an L6-30, and an L14-30 would have digits 9 through 12 of the CTO arranged as "AKMX"

The combined quantities of LOCKING receptacles (denoted by *) must not exceed 4 per unit.

Please be sure to utilize the "X" designation for any of the 4 total slots not populated.

EATON 9355 UPS

Powerware series (continued)

BUILT-IN CONNECTIVITY OPTIONS

Description	Value for CTO Digit 8	Part Number (if ordered separately)	List Price
NONE (No Pre-installed X-Slot card)	0	-	\$0
Modbus Card-X-Slot	4	103005425-5591	\$911
Relay Interface Card-X-Slot (AS/400 Compatible)	5	1018460	\$202
Industrial Relay and Display Drive Card X-Slot	6	103003055	\$462

Note: You can have up to two optional connectivity cards installed.

9355 BATTERY BACKUP TIMES (in minutes) @ 0.9 POWER FACTOR

Load (VA/Watts)	UPS + Internal					UPS + Internal				
	32 Battery	+1 EBM 64	+2 EBMs 64	+3 EBMs 64	+4 EBMs 64	64 Battery	+1 EBM 96	+2 EBMs 96	+3 EBMs 96	
15000/13500	4.6	23.0	43.0	65.1	88.6	13.3	43.0	76.7	113.0	
14500/13050	4.9	24.1	45.2	68.3	93.0	14.1	45.2	80.5	119.0	
14000/12600	5.2	25.2	47.3	71.5	97.4	14.9	47.3	84.2	125.0	
13500/12150	5.5	26.4	49.4	74.7	102.0	15.8	49.4	88.1	130.0	
13000/11700	5.8	27.6	51.6	78.1	106.0	16.7	51.6	92.0	136.0	
12500/11250	6.1	28.8	54.0	81.6	111.0	17.6	54.0	96.2	142.0	
12000/10800	6.5	30.2	56.5	85.5	116.0	18.6	56.5	101.0	149.0	
11500/10350	6.9	31.6	59.3	89.7	122.0	19.2	59.3	106.0	156.0	
11000/9900	7.3	33.3	62.4	94.4	129.0	20.2	62.4	111.0	164.0	
10500/9450	7.8	35.1	65.9	99.6	136.0	21.4	65.9	117.0	174.0	
10000/9000	8.4	37.2	69.8	106.0	144.0	22.6	69.8	124.0	184.0	
9500/8550	9.1	39.6	74.2	112.0	153.0	24.1	74.2	132.0	196.0	
9000/8100	9.9	42.3	79.4	120.0	163.0	25.7	79.4	141.0	209.0	
8500/7650	10.8	45.5	85.2	129.0	175.0	27.6	85.2	152.0	225.0	
8000/7200	11.9	49.1	91.9	139.0	189.0	29.8	91.9	164.0	242.0	
7500/6750	13.1	53.2	99.7	151.0	205.0	32.3	99.7	178.0	263.0	
7000/6300	14.6	58.0	109.0	164.0	224.0	35.2	109.0	194.0	286.0	
6500/5850	16.3	63.5	119.0	180.0	245.0	38.6	119.0	212.0	314.0	
6000/5400	18.4	70.0	131.0	198.0	270.0	42.5	131.0	234.0	346.0	
5500/4950	20.1	77.6	145.0	220.0	300.0	47.2	145.0	259.0	383.0	
5000/4500	22.4	86.6	162.0	245.0	334.0	52.6	162.0	289.0	428.0	
4500/4050	25.2	97.4	182.0	276.0	376.0	59.2	182.0	325.0	-	
4000/3600	28.6	110.0	207.0	313.0	426.0	67.1	207.0	369.0	-	
3500/3150	32.8	127.0	238.0	359.0	-	77.0	238.0	423.0	-	
3000/2700	38.3	148.0	277.0	418.0	-	89.7	277.0	-	-	
2500/2250	45.6	176.0	329.0	-	-	107.0	329.0	-	-	

Note: Backup times are approximate and may vary with equipment, configuration, battery age, temperature, etc.

EATON 9355 UPS

Powerware series (continued)

9355 (20–30 KVA) MODELS

20 kVA (18 kW)

Description	Part Number ¹	Input/Output Voltage	Base Runtime (min)	Dimensions (H x W x D, inches) ³	Weight (lb) ³	List Price	System Price
PW9355 20 kVA with Internal Batteries	KB2013100000010	208/208	18	66.0 x 20.0 x 34.1	1160	\$26,743	\$26,743
PW9355 20 kVA Single Feed with Options Cabinet & Internal Batteries	KB2013100000010*	208/208	18	66.0 x 20.0 x 34.1	1160	\$26,743	\$32,561
PW9355 20 kVA with Internal Batteries & Dual Feed Isolation Transformer (2 Opt Cabs)	KB2013100000010 KBT001100000010* KBT002100000010	208/208 Input Isolation options Cab Output Isolation options Cab	18	66.0 x 20.0 x 34.1 66.0 x 20.0 x 34.1 66.0 x 20.0 x 34.1	1160 535 535	\$26,743 \$5,818 \$5,818	\$38,379
PW9355 20 kVA with Internal Batteries & Single Feed Options Cabinet	KB2013200000010 KB2013100000010*	220/220 ² 480/208	18 18	66.0 x 20.0 x 34.1 66.0 x 20.0 x 34.1	1160 1160	\$26,743 \$26,743	\$26,743 \$32,561
PW9355 20 kVA Dual Feed with Options Cabinets & Internal Batteries (2 Opt Cabs)	KB2013100000010 KBT002200000010 KBT001200000010*	480/208 Input Isolation options Cab Output Isolation options Cab	18	66.0 x 20.0 x 34.1 66.0 x 20.0 x 34.1 66.0 x 20.0 x 34.1	1160 535 535	\$26,743 \$5,818 \$5,818	\$38,379
PW9355 20 kVA Single Feed with Options Cabinets & Internal Batteries	KB2013100000010 KBT001300000010*	600/208 Input Isolation options Cab	18	66.0 x 20.0 x 34.1 66.0 x 20.0 x 34.1	1160 535	\$26,743 \$5,818	\$32,561
PW9355 20 kVA Dual Feed with Options Cabinets & Internal Batteries	KB2013100000010 KBT001300000010* KBT002300000010	600/208 Input Isolation options Cab Output Isolation options Cab	18	66.0 x 20.0 x 34.1 66.0 x 20.0 x 34.1 66.0 x 20.0 x 34.1	1160 535 535	\$26,743 \$5,818 \$5,818	\$38,379
PW9355 20 kVA Single Feed with Options Cabinet & Internal Batteries (1 Opt Cab)	KB2013100000010 KBT004200000010*	480/480 Input Isolation options Cab	18	66.0 x 20.0 x 34.1 66.0 x 20.0 x 34.1	1160 792	\$26,743 \$11,636	\$38,379

30 kVA (27 kW)

Description	UPS Part (CTO) Number	Input/Output Voltage	Base Runtime (min)	Dimensions (H x W x D, inches) ³	Weight (lb) ³	List Price	System Price
PW9355 30 kVA with Internal Batteries	KB3013100000010	208/208	11	66.0 x 20.0 x 34.1	1160	\$28,028	\$28,028
PW9355 30 kVA Single Feed with Options Cabinet & Internal Batteries, including Isolation	KB3013100000010*	208/208	11	66.0 x 20.0 x 34.1	1160	\$28,028	\$33,846
PW9355 30 kVA with Internal Batteries & Dual Feed Isolation Transformer (2 Opts Cabs)	KB3013100000010 KBT001100000010* KBT002100000010	208/208 Input Isolation options Cab Output Isolation options Cab	11	66.0 x 20.0 x 34.1 66.0 x 20.0 x 34.1 66.0 x 20.0 x 34.1	1160 535 535	\$28,028 \$5,818 \$5,818	\$39,664
PW9355 30 kVA with Internal Batteries & Single Feed Options Cabinet	KB3013200000010 KB3013100000010*	220/220 ² 480/208	11 11	66.0 x 20.0 x 34.1 66.0 x 20.0 x 34.1	1160 1160	\$28,028 \$28,028	\$28,028 \$33,846
PW9355 30 kVA Dual Feed with Options Cabinets & Internal Batteries (2 Opts Cabs)	KB3013100000010 KBT001200000010* KBT002200000010	480/208 Input Isolation options Cab Output Isolation options Cab	11	66.0 x 20.0 x 34.1 66.0 x 20.0 x 34.1 66.0 x 20.0 x 34.1	1160 535 535	\$28,028 \$5,818 \$5,818	\$39,664
PW9355 30 kVA Single Feed with Options Cabinet & Internal Batteries	KB3013100000010 KBT001300000010*	600/208 Output Isolation options Cab	11	66.0 x 20.0 x 34.1 66.0 x 20.0 x 34.1	1160 535	\$28,028 \$5,818	\$33,846
PW9355 30 kVA Dual Feed with Options Cabinet & Internal Batteries (2 Opts Cabs)	KB3013100000010 KBT001300000010* KBT002300000010	600/208 Input Isolation options Cab Output Isolation options Cab	11	66.0 x 20.0 x 34.1 66.0 x 20.0 x 34.1 66.0 x 20.0 x 34.1	1160 535 535	\$28,028 \$5,818 \$5,818	\$39,664
PW9355 30 kVA Single Feed with Options Cabinet & Internal Batteries (1 Opt Cab)	KB3013100000010 KBT004200000010*	480/480 Input Isolation options Cab	11	66.0 x 20.0 x 34.1 66.0 x 20.0 x 34.1	1160 792	\$28,028 \$11,636	\$39,664

* contains MBP Rotary Style

1. 50/60 Hz auto-sensing.

2. 220V units are wye connected 220/127V input and 220/127V output, three-phase, 4-wire plus ground.

3. Add 47 lb for 2-high configurations or 50 lbs for 3-high configurations to determine shipping weight.

4. An input neutral is required for all configurations unless the input isolation transformer is used.

5. For parallel systems, change CTO digit #5 to a "2" and add \$500 to the list price and include Parallel Tie Cabinet.. Eaton startup is required for factory warranty of parallel configuration.

EATON 9355 UPS

Powerware series (continued)

9355 OPTIONS

Description	Part Number	Rating	Input/Output Voltage	Dimensions (H x W x D, inches)	Weight (lb) ¹	List Price
PW9355 20 & 30 kVA 2 String Line & Match Extended Battery Cabinet	103005183	36	-	66.0 x 20.0 x 34.1	1105.0	\$9,488
PW9355 20 & 30 kVA 4 String Line & Match Extended Battery Cabinet	103004868	72	-	66.0 x 20.0 x 34.1	2060.0	\$14,480
Option Cabinet, Containing Maintenance Bypass, with No Transformer	KBT000000000010	-	208/208	67.0 x 20.0 x 34.1	205.0	\$3,077
PW9355 30 kVA Wall-mount Parallel Tie Cabinet 2-Breaker MBP (400A Bus, 200A Neutral, 1 350A MBP, & (4) 110A MOB's)	124100026-001*	-	208/208	48.0 x 20.0 x 5.8	150.0 ¹	\$3,424
PW9355 30 kVA Wall-mount Parallel Tie Cabinet with MIS Breaker (350A MBP, 350A MIS, & (4) 110A MOB's)	124100026-002*	-	208/208	57.0 x 24.0 x 11.3	235	\$7,919
Remote EPO Switch	103002939	Wall-mounted	-	-	-	\$511
Zone 4 Seismic Kit (UPS Cabinet only)	103004896	Zone 4 Kit	-	-	-	\$591
Remote Monitor Panel requires Industrial Relay X-Slot Card part						See section for Connectivity Options & Pricing
CAN Bridge Parallel Card	103004336*	-	-	-	-	\$562
UPS Optional Output Breaker (125A, Change Digit #5 in CTO number to "3" for RT systems)						\$

1. This is a net weight; please add 40 lb for the shipping weight of the panels and 50 lb for panels with panelboard provisions.

Notes: Up to 3 EBMs can be added to each UPS for extended runtime. To find items and pricing for spare parts, kVA upgrades and parallel upgrades, please refer to the 9355 services page.

* Eaton startup is required for factory warranty of parallel configuration

9355 BYPASS PANELS

Description	Part Number	Input/Output Voltage	Dimensions (H x W x D, inches)	Weight (lb) ¹	List Price
PW9355 20 & 30 kVA 3-breaker Maintenance Bypass Panel (225A Bus, 225A Neutral, & 110A MBP, 125A MIB, 110A MIS)	124100028-001	208/208	48.0 x 20.0 x 5.8	120	\$4,428
PW9355 20 & 30 kVA 3-breaker Maintenance Bypass Panel with integral 120 KA TVSS (225A Bus, 225A Neutral, & 110A MBP, 125A MIB, 110A MIS)	124100028-002	208/208	60.0 x 20.0 x 5.8	120	\$8,407
PW9355 20 & 30kVA 3-Breaker Maintenance Bypass Panel with 36-pole Distribution Provisions (Cutler-Hammer GHB 65 kAIC)	124100028-003	208/208	72.0 x 20.0 x 5.8	210	\$5,107
PW9355 20 & 30 kVA 3-Breaker Maintenance Bypass Panel with 36-pole Distribution Provisions & Integrated TVSS (Cutler-Hammer GHB 65 kAIC)	124100028-004	208/208	90.0 x 20.0 x 5.8	225	\$8,796
PW9355 20 & 30kVA 3-Breaker Maintenance Bypass Panel with 36-pole Distribution Provisions (Cutler-Hammer GBHW 22 kAIC)	124100028-006	208/208	72.0 x 20.0 x 5.8	210	\$5,107
PW9355 20 & 30kVA 3-Breaker Maintenance Bypass Panel with 36-pole Distribution Provisions (Cutler-Hammer BAB 10 kAIC)	124100028-007	208/208	72.0 x 20.0 x 5.8	210	\$5,107
PW9355 20 & 30 kVA 3-Breaker Maintenance Bypass Panel with 36-pole Distribution Provisions & Integrated TVSS (Cutler-Hammer GBHW 22 kAIC)	124100028-008	208/208	90.0 x 20.0 x 5.8	225	\$8,796
PW9355 20 & 30 kVA 3-Breaker Maintenance Bypass Panel with 36-pole Distribution Provisions & Integrated TVSS (Cutler-Hammer BAB 10 kAIC)	124100028-009	208/208	90.0 x 20.0 x 5.8	225	\$8,796

1. This is a net weight; please add 40 lb for the shipping weight of the panels and 50 lb for panels with panelboard provisions.

Note: Please specify preference for breakers.

9355 BUILT-IN CONNECTIVITY OPTIONS

Available X-Slot card options

Description	Value for CTO Digit 8	Part Number (if ordered separately)	List Price
NONE (No pre-installed X-Slot card)	0	-	\$0
Modbus Card-X-Slot	4	103005425-5591	\$991
Relay Interface Card-X-Slot (AS/400 Compatible)	5	1018460	\$202
Industrial Relay and Display Drive Card X-Slot	6	103003055	\$462

Note: UPS has two X-Slots, one of which can be populated or factory installed, with the second X-Slot accessory supplied separately.

SOFTWARE AND CONNECTIVITY OPTIONS

Description	Part Number	List Price
Power Xpert Gateway UPS Card	PXGXUPS (103007974-5591)	\$621

Bundled with Intelligent Power Software Suite CD and communication cable. See the software and connectivity sections for more details.

EATON 9355 UPS

Powerware series (*continued*)

9355 BATTERY BACKUP TIMES (in minutes)

Load (VA/Watts)	UPS w/Internal Battery	Internal Battery +EBC 36	Internal Battery +EBC 72	Internal Battery +2 EBC 72	Internal Battery +3 EBC 72
30000/27000	11	31	56	89	108
29000/26100	11	33	58	90	109
28000/25200	12	35	60	93	111
27000/24300	12	38	62	95	114
26000/23400	13	40	65	98	118
25000/22500	14	43	68	101	124
24000/21600	14	46	71	103	129
23000/20700	15	48	74	106	134
22000/19800	16	51	76	109	144
21000/18900	17	53	79	111	152
20000/18000	18	56	82	114	160
19000/17100	19	58	85	117	175
18000/16200	20	62	88	120	189
17000/15300	22	66	92	130	204
16000/14400	24	71	96	142	219
15000/13500	26	75	101	154	234
14000/12600	28	79	105	166	249
13000/11700	31	84	110	178	265
12000/10800	35	88	114	201	280
11000/9900	38	94	119	226	319
10000/9000	42	101	134	251	355
7500/6750	58	117	188	347	471
5000/4500	90	188	294	543	610

Note: Battery backup times are approximate and may vary with equipment, configuration, battery age, temperature, etc.

SERVICES

For detailed information on service plans, please refer to the Three-phase Service section on page 114.

EATON EMERGENCY LIGHTING UPS

Eaton's Emergency Lighting product line offers a UPS system and line and match battery cabinets to achieve the minimum UL 924 required 90 minutes of runtime. The Eaton Emergency Lighting UPS line combines the industry's highest capacity and smallest footprint, making it the most cost-effective solution to comply with Emergency Lighting.

All solutions are fully tested to comply with UL 924.

- 90 minutes of runtime
- Allows for a manually operated and protected test switch
- 10-30 kVA / 208, 277 and 480V options
- Includes one year local (250 km) 5x8 Corrective warranty, Local 5x8 start-up



SINGLE-PHASE EMERGENCY LIGHTING

Description	Part Number	Individual Description	Quantity Required	Rating (kVA/kW)	Input/Output Voltage	System Runtime (min)	Dimensions (H x W x D, inches)	Weight (lb)	Individual List Price	System List Price
Eaton Emergency Lighting Single-phase 7 kW 277V UPS System	K4101200000000	9155 10 kVA UPS	1						\$14,567	
	BH-10KEL2081P-100	UPS Upgrade	1						\$2,712	
	103004193-5501	9155 Battery Cabinet	2	10/6.8	277/277	134	47.8 x 48.0 x 33.7	2,408	\$8,702	\$47,431
	BH-EBM96EL-600	Battery Upgrade	2						\$926	
Eaton Emergency Lighting Single-phase 9 kW 277V UPS System	BH-KBT001-200	277/277V Transformer	1						\$9,932	
	K4151200000000	9155 15 kVA UPS	1						\$16,632	
	BH-15KEL2081P-100	UPS Upgrade	1						\$3,120	
	103004193-5501	9155 Battery Cabinet	2	15/9	277/277	120	47.8 x 48.0 x 33.7	2,408	\$8,702	\$49,956
UPS System	BH-EBM96EL-600	Battery Upgrade	2						\$926	
	BH-KBT001-200	277/277V Transformer	1						\$9,932	

THREE-PHASE EMERGENCY LIGHTING

Description	Part Number	Individual Description	Quantity Required	Rating (kVA/kW)	Input/Output Voltage	System Runtime (min)	Dimensions (H x W x D, inches)	Weight (lb)	Individual List Price	System List Price
Eaton Emergency Lighting Three-phase 8.5 kW 208V UPS System	KA1012100000010	9355 10 kVA UPS	1						\$18,230	
	BH-10KEL2083P-100	UPS Upgrade	1	10/8.5	208/208	124	47.8 x 36.0 x 33.7	2,029	\$	\$44,284
	103004193-5501	9355 Battery Cabinet	2						\$9,409	
	BH-EBM96EL-600	Battery Upgrade	2						\$	
Eaton Emergency Lighting Three-phase 13 kW 208V UPS System	KA1512100000010	9355 15 kVA UPS	1						\$19,687	
	BH-15KEL2083P-100	UPS Upgrade	1	15/13.1	208/208	113	47.8 x 48.0 x 33.7	2,739	\$	\$56,706
	103004193-5501	9355 Battery Cabinet	3						\$9,409	
	BH-EBM96EL-600	Battery Upgrade	3						\$	
Eaton Emergency Lighting Three-phase 18 kW 208V UPS System	KB2013100000010	9355 20 kVA UPS	1						\$24,393	
	BH-20KEL2083P-100	UPS Upgrade	1	20/18	208/208	114	66.0 x 60.0 x 34.1	5,280	\$	\$63,460
	103004868	9355 Battery Cabinet	2						\$14,480	
	BH-EBC72EL-600	Battery Upgrade	2						\$	
Eaton Emergency Lighting Three-phase 24 kW 208V UPS System	KB3013100000010	9355 30 kVA UPS	1						\$25,565	
	BH-30KEL208SF-100	UPS Upgrade	1	30/24	208/208	108	66.0 x 60.0 x 34.1	5,280	\$	\$65,130
	103004868	9355 Battery Cabinet	2						\$14,480	
	BH-EBC72EL-600	Battery Upgrade	2						\$	
Eaton Emergency Lighting Three-phase 27 kW 208V UPS System	KB3013100000010	9355 30 kVA UPS	1						\$25,565	
	BH-30KEL2083P-100	UPS Upgrade	1	30/27	208/208	90	66.0 x 80.0 x 34.1	7,340	\$	\$81,195
	103004868	9355 Battery Cabinet	3						\$14,480	
	BH-EBC72EL-600	Battery Upgrade	3						\$	
Eaton Emergency Lighting Three-phase 18 kW 480V UPS System	KB2013100000010	9355 20 kVA UPS	1						\$24,393	
	BH-20KEL2083P-100	UPS Upgrade	1						\$	
	103004868	9355 Battery Cabinet	2	20/18	480/277	114	66.0 x 80.0 x 34.1	6,072	\$14,480	\$78,053
	BH-EBC72EL-600	Battery Upgrade	2						\$	
Eaton Emergency Lighting Three-phase 24 kW 480V UPS System	KB0042000000010	9355 Options Cabinet	1						\$	
	BH-KBT004-200	Options Upgrade	1						\$	
	KB3013100000010	9355 30 kVA UPS	1						\$25,565	
	BH-30KEL208SF-100	UPS Upgrade	1						\$	
Eaton Emergency Lighting Three-phase 27 kW 480V UPS System	103004868	9355 Battery Cabinet	2	30/24	480/277	108	66.0 x 80.0 x 34.1	6,072	\$14,480	\$79,723
	BH-EBC72EL-600	Battery Upgrade	2						\$	
	KB0042000000010	9355 Options Cabinet	1						\$	
	BH-KBT004-200	Options Upgrade	1						\$	
Eaton Emergency Lighting Three-phase 27 kW 480V UPS System	KB3013100000010	9355 30 kVA UPS	1						\$25,565	
	BH-30KEL2083P-100	UPS Upgrade	1						\$	
	103004868	9355 Battery Cabinet	3	30/27	480/277	90	66.0 x 100.0 x 34.1	8,132	\$14,480	\$95,788
	BH-EBC72EL-600	Battery Upgrade	3						\$	
UPS System	KB0042000000010	9355 Options Cabinet	1						\$	
	BH-KBT004-200	Options Upgrade	1						\$	

EATON 93E UPS & ACCESSORIES

The Eaton 93E UPS delivers three key benefits that drive a lower total cost of ownership (TCO): internal batteries, compact footprint and energy-efficiency.

Energy-efficient

- Delivers up to 98% efficiency
- Up to 7% more efficient than competitive units
- Helps you qualify for local utility rebates and incentives

Internal batteries

- Deliver up to 21 minutes of runtime
- Pre-wired for easy installation

Compact footprint

- Up to 35% smaller than similarly specified competitive solutions
- Allows dedication of more floor space to revenue-producing equipment

Service

- Includes one year local (250 km) 5x8 Corrective warranty, Local 5x8 start-up



20-30 kVA



40-60 kVA

93E 20 and 30 KVA UPS MODELS (50/60 Hz)

Description	Part Number	Input/Output Voltage	Input Feed	Internal Runtime (min) Load 100%/50%	Dimensions (H x W x D, inches)	Weight (lb)	List Price
20 kVA (16 kW) Requires hardware to upgrade to 30 kVA or add EBCs¹							
20 kVA UPS Single Feed with Internal Batteries	9EF02GG03001003	208 or 220V	Single	12 / 28	53.5 x 20.9 x 31.5	831	\$20,762
20 kVA UPS Single Feed with Internal Batteries & MS Network Card	9EF02GG03021003	208 or 220V	Single	12 / 28	53.5 x 20.9 x 31.5	831	\$21,001
20 kVA UPS Single Feed with Internal Batteries & MS Network/ModBus Card	9EF02GG03031003	208 or 220V	Single	12 / 28	53.5 x 20.9 x 31.5	831	\$21,096
20 kVA UPS Dual Feed with Internal Batteries	9EF02GG03002003	208 or 220V	Dual	12 / 28	53.5 x 20.9 x 31.5	840	\$20,857
20 kVA UPS Dual Feed with Internal Batteries & MS Network Card	9EF02GG03022003	208 or 220V	Dual	12 / 28	53.5 x 20.9 x 31.5	840	\$21,096
20 kVA UPS Dual Feed with Internal Batteries & MS Network/ModBus Card	9EF02GG03032003	208 or 220V	Dual	12 / 28	53.5 x 20.9 x 31.5	840	\$21,191
20 kVA (16 kW) Upgrade to 30 kVA by Firmware, EBC capable²							
20 kVA UPS Single Feed with Internal Batteries	9EA02GG05001003	208 or 220V	Single	21 / 47	53.5 x 20.9 x 31.5	1049	\$22,098
20 kVA UPS Single Feed with Internal Batteries & MS Network Card	9EA02GG05021003	208 or 220V	Single	21 / 47	53.5 x 20.9 x 31.5	1049	\$22,336
20 kVA UPS Single Feed with Internal Batteries & MS Network/ModBus Card	9EA02GG05031003	208 or 220V	Single	21 / 47	53.5 x 20.9 x 31.5	1049	\$22,432
20 kVA UPS Dual Feed with Internal Batteries	9EA02GG05002003	208 or 220V	Dual	21 / 47	53.5 x 20.9 x 31.5	1058	\$22,193
20 kVA UPS Dual Feed with Internal Batteries & MS Network Card	9EA02GG05022003	208 or 220V	Dual	21 / 47	53.5 x 20.9 x 31.5	1058	\$22,432
20 kVA UPS Dual Feed with Internal Batteries & MS Network/ModBus Card	9EA02GG05032003	208 or 220V	Dual	21 / 47	53.5 x 20.9 x 31.5	1058	\$22,527
30 kVA (24 kW) With EBC runtime addition capability²							
30 kVA UPS Single Feed with Internal Batteries	9EA03GG05001003	208 or 220V	Single	12 / 30	53.5 x 20.9 x 31.5	1049	\$23,719
30 kVA UPS Single Feed with Internal Batteries & MS Network Card	9EA03GG05021003	208 or 220V	Single	12 / 30	53.5 x 20.9 x 31.5	1049	\$23,958
30 kVA UPS Single Feed with Internal Batteries & MS Network/ModBus Card	9EA03GG05031003	208 or 220V	Single	12 / 30	53.5 x 20.9 x 31.5	1049	\$24,053
30 kVA UPS Dual Feed with Internal Batteries	9EA03GG05002003	208 or 220V	Dual	12 / 30	53.5 x 20.9 x 31.5	1058	\$23,815
30 kVA UPS Dual Feed with Internal Batteries & MS Network Card	9EA03GG05022003	208 or 220V	Dual	12 / 30	53.5 x 20.9 x 31.5	1058	\$24,053
30 kVA UPS Dual Feed with Internal Batteries & MS Network/ModBus Card	9EA03GG05032003	208 or 220V	Dual	12 / 30	53.5 x 20.9 x 31.5	1058	\$24,149

EATON 93E UPS & ACCESSORIES

(continued)

93E (20-30 KVA) MAINTENANCE BYPASS OPTIONS: INTEGRATED ACCESSORY CABINETS - SIAC-B, IAC-B and WALL MOUNT BYPASS CABINETS

Description	Part Number	Input/Output Voltage	Input Feed	Installation Location	Dimensions (H x W x D, inches)	Weight (lb)	List Price
93E 20-30 kVA SIAC-B - Slim line Bypass for Single Feed Units (right)	9EZHA1010000000	208 or 220V	Single	Right	53.5 x 8.0 x 31.5	165	\$3,435
93E 20-30 kVA SIAC-B - Slim line Bypass for Single Feed Units (left) ³	9EZHA1020000000	208 or 220V	Single	Left	53.5 x 8.0 x 31.5	165	\$3,435
93E 20-30 kVA SIAC-B - Slim line Bypass for Dual Feed Units (right)	9EZHA2010000000	208 or 220V	Dual	Right	53.5 x 8.0 x 31.5	178	\$3,816
93E 20-30 kVA SIAC-B - Slim line Bypass for Dual Feed Units (left) ³	9EZHA2020000000	208 or 220V	Dual	Left	53.5 x 8.0 x 31.5	178	\$3,816
93E 20-30 kVA IAC-B - Maintenance Bypass for Single Feed Units (full width)	9EZBA1000000000	208 or 220V	Single	Either	53.5 x 20.9 x 31.5	237	\$6,774
93E 20-30 kVA IAC-B - Maintenance Bypass for Dual Feed Units (full width)	9EZBA2000000000	208 or 220V	Dual	Either	53.5 x 20.9 x 31.5	237	\$6,965
93E 20-30 kVA Wall Mount Maintenance Bypass Panel ⁴	M1BAAX0X1XXXXXX	208 or 220V	Single ³	Wall	57.0 x 24.0 x 11.3	400	\$5,152
93E 20-30 kVA Wall Mount Maintenance Bypass Panel With 36 Pole Distribution ⁷	M9EZGA110000000	208 or 220V	Single ³	Wall	73.5 x 24.0 x 11.3	400	\$5,534

93E (20-30 KVA) TRANSFORMER OPTIONS: INTEGRATED TRANSFORMER CABINET - (ITC)

Description	Part Number	Input/Output Voltage	Input Feed	Installation Location	Dimensions (H x W x D, inches)	Weight (lb)	List Price
93E 20-30 kVA IAC - 480V input transformer, Single Transformer ⁵	9EZFAA0000000000	480/208V	Single	Line and match	53.5 x 20.9 x 31.5	496	\$7,060
93E 20-30 kVA IAC - 480V input, 480V output Dual Transformers ⁵	9EZFAB0000000000	480/480V	Single	Line and match	53.5 x 20.9 x 31.5	834	\$9,445

93E (20-30 KVA) POWER DISTRIBUTION OPTIONS: INTEGRATED ACCESSORY CABINET - DISTRIBUTION - IAC-D

Description	Part Number	Input Voltage	Subfeed #1 Rating	Subfeed #2 Rating	Subfeed #3 Rating	Dimensions (H x W x D, inches)	Weight (lb)	List Price
93E 20-30 kVA IAC-D - W/42-pole Dist Panelboard and No Subfeed Breakers ^{6,7}	9EZDA0000000000	208 or 220V	None	None	None	53.5 x 20.9 x 31.5	238	\$7,632
93E 20-30 kVA IAC-D - W/42-pole Dist Panelboard 1-125A Subfeed BRKR ^{6,7}	9EZDAA0000000000	208 or 220V	125A	None	None	53.5 x 20.9 x 31.5	258	\$8,109
93E 20-30 kVA IAC-D - W/42-pole Dist Panelboard 2-125A Subfeed BRKR ^{6,7}	9EZDAAA0000000000	208 or 220V	125A	125A	None	53.5 x 20.9 x 31.5	278	\$8,586
93E 20-30 kVA IAC-D - W/42-pole Dist Panelboard 3-125A Subfeed BRKR ^{6,7}	9EZDAAAA0000000000	208 or 220V	125A	125A	125A	53.5 x 20.9 x 31.5	298	\$9,063

Subfeed Breaker Options

Subfeed breakers are also available in 60A and 40A ratings

Subfeed Breaker Options	Breaker Trip Rating changes	Original	New	Pricing change
Subfeed #1 = Part number digit 6 (9EZDA*A*000000000)	From 125A to 60A	A	B	None
Subfeed #2 = Part number digit 7 (9EZDAA*A*000000000)	From 125A to 40A	A	C	None
Subfeed #3 = Part number digit 8 (9EZDAAA*A*000000000)				

93E (20-30 KVA) PARALLELING CABINET OPTIONS: INTEGRATED ACCESSORY CABINET - TIE & BYPASS IAC-TB or TIE ONLY - IAC-T and WALL MOUNT CABINETS

Description	Part Number	Input/Output Voltage	Output Rating	Breaker Ratings (Qty)	Dimensions (H x W x D, inches)	Weight (lb)	List Price
93E 20-30 kVA IAC-TB - Tie/Bypass for 1+1 Redundant with Maintenance Bypass	9EZCA0100000000	208 or 220V	30kVA	125A (4)	53.5 x 20.9 x 31.5	326	\$9,350
93E 20-30 kVA IAC-TB - Tie/Bypass for 2+0 Capacity with Maintenance Bypass	9EZCA0200000000	208 or 220V	60kVA	125A (2)/250A (2)	53.5 x 20.9 x 31.5	326	\$10,017
93E 20-30 kVA IAC-T - Tie for up to 3+1 Redundant system	9EZEAO4000000000	208 or 220V	90kVA	125A (4)	53.5 x 20.9 x 31.5	375	\$10,494
93E 20-30 90 kVA Wall Mount Maintenance Bypass Panel	M1BI0X0X1XXXXXX	208 or 220V	90kVA	400A (2)	57.0 x 24.0 x 11.3	350	\$7,632
93E 20-30 90 kVA Wall Mount Maintenance Bypass Panel With 36 Pole Distribution ⁷	M9EZGA3100000000	208 or 220V	90kVA	400A (2)	57.0 x 24.0 x 11.3	350	\$8,586

EATON 93E UPS & ACCESSORIES

(continued)

93E (20-30 kVA) EXTENDED BATTERY CABINET OPTIONS

Description	Part Number	Number of Batteries	DC Voltage	Number of Strings	Dimensions (H x W x D, inches)	Weight (lb)	List Price
93E 20-30 kVA Extended Battery Cabinet [®]	9EZAAB000000000	36	216V	2	53.5 x 20.9 x 31.5	1182	\$9,827
93E 20-30 kVA Extended Battery Cabinet [®]	9EZAAC000000000	54	216V	3	53.5 x 20.9 x 31.5	1585	\$12,879

Notes:

- Contact service for information on kVA upgrade kits
- External battery cabinet (EBC) can be added at any time, however requires authorized service
- Eaton recommends you use a left side SAIC-B if Extended battery cabinets (EBC) are to be installed
- Wall mount bypass are three-breaker type, therefore for dual feed, separate feed will be required to be supplied by others to feed rectifier
- Mount Transformer or IDC cabinets on the same side as SAIC-B cabinet
- Maximum of 2 Extended Battery Cabinets can be bought for a system. See runtime chart.
- Distribution breakers for 36 pole panel are Eaton type BAB or QBH

93E 20 kVA BATTERY RUNTIME CHART

UPS Part No	9EF-----	UPS Part No	9EA-----	9EA-----	9EA-----	9EA-----	9EA-----
EBC		EBC		9EZAAB----	9EZAAC----	9EZAAB----	9EZAAC----
% Load on UPS	Internal Battery	% Load on UPS	Internal Battery	Qty 1	Qty 1	Qty 2	Qty 2
100%	12	100%	21	55	74	95	138
90%	14	90%	24	71	95	122	177
80%	17	80%	27	81	109	139	203
75%	18	75%	30	87	118	150	219
70%	19	70%	32	95	128	163	237
67%	21	67%	34	100	135	172	251
60%	23	60%	38	113	152	194	283
50%	28	50%	47	139	187	239	348
40%	37	40%	60	179	242	309	450
30%	51	30%	84	250	338	431	-
25%	63	25%	103	310	419	-	-
20%	81	20%	134	403	-	-	-
10%	185	10%	305	-	-	-	-

93E 30 kVA BATTERY RUNTIME CHART

UPS Part No	9EA-----	9EA-----	9EA-----	9EA-----	9EA-----
EBC		9EZAAB----	9EZAAC----	9EZAAB----	9EZAAC----
% Load on UPS	Internal Battery	Qty 1	Qty 1	Qty 2	Qty 2
100%	12	33	45	58	84
90%	14	38	51	51	95
80%	17	44	59	76	110
75%	18	48	64	82	119
70%	20	52	70	89	130
67%	21	55	74	95	138
60%	24	62	84	107	157
50%	30	77	104	133	194
40%	38	100	135	172	251
30%	53	139	187	239	348
25%	65	171	231	294	429
20%	84	221	312	381	-
10%	188	-	-	-	-

Note: Backup times are approximate and may vary with equipment, configuration, battery age, temperature, etc.

EATON 93E UPS & ACCESSORIES

(continued)

93E 40 and 60 KVA UPS MODELS (50/60 Hz)

Description	Part Number	Input/Output Voltage	Input Feed	Internal Runtime (min) Load 100%/50%	Dimensions (H x W x D, inches)	Weight (lb)	List Price
40 kVA (32 kW) Requires hardware to upgrade to 60 kVA or add EBCs¹							
40 kVA UPS Single Feed with Internal Batteries	9EG04GG03001003	208 or 220V	Single	7 / 20	74.0 x 23.6 x 31.5	1301	\$35,644
40 kVA UPS Single Feed with Internal Batteries & MS Network Card	9EG04GG03021003	208 or 220V	Single	7 / 20	74.0 x 23.6 x 31.5	1301	\$35,883
40 kVA UPS Single Feed with Internal Batteries & MS Network/ModBus Card	9EG04GG03031003	208 or 220V	Single	7 / 20	74.0 x 23.6 x 31.5	1301	\$35,978
40 kVA UPS Dual Feed with Internal Batteries	9EG04GG03002003	208 or 220V	Dual	7 / 20	74.0 x 23.6 x 31.5	1315	\$35,740
40 kVA UPS Dual Feed with Internal Batteries & MS Network Card	9EG04GG03022003	208 or 220V	Dual	7 / 20	74.0 x 23.6 x 31.5	1315	\$35,978
40 kVA UPS Dual Feed with Internal Batteries & MS Network/ModBus Card	9EG04GG03032003	208 or 220V	Dual	7 / 20	74.0 x 23.6 x 31.5	1315	\$36,074
40 kVA (32 kW) Upgrade to 30 kVA by Firmware, EBC capable²							
40 kVA UPS Single Feed with Internal Batteries	9EB04GG05001003	208 or 220V	Single	12 / 29	74.0 x 23.6 x 31.5	1499	\$38,029
40 kVA UPS Single Feed with Internal Batteries & MS Network Card	9EB04GG05021003	208 or 220V	Single	12 / 29	74.0 x 23.6 x 31.5	1499	\$38,268
40 kVA UPS Single Feed with Internal Batteries & MS Network/ModBus Card	9EB04GG05031003	208 or 220V	Single	12 / 29	74.0 x 23.6 x 31.5	1499	\$38,363
40 kVA UPS Dual Feed with Internal Batteries	9EB04GG05002003	208 or 220V	Dual	12 / 29	74.0 x 23.6 x 31.5	1513	\$38,125
40 kVA UPS Dual Feed with Internal Batteries & MS Network Card	9EB04GG05022003	208 or 220V	Dual	12 / 29	74.0 x 23.6 x 31.5	1513	\$38,363
40 kVA UPS Dual Feed with Internal Batteries & MS Network/ModBus Card	9EB04GG05032003	208 or 220V	Dual	12 / 29	74.0 x 23.6 x 31.5	1513	\$38,459
60 kVA (48 kW) With EBC runtime addition capability²							
60 kVA UPS Single Feed with Internal Batteries	9EB06GG05001003	208 or 220V	Single	6.6 / 18	74.0 x 23.6 x 31.5	1499	\$42,322
60 kVA UPS Single Feed with Internal Batteries & MS Network Card	9EB06GG05021003	208 or 220V	Single	6.6 / 18	74.0 x 23.6 x 31.5	1499	\$42,561
60 kVA UPS Single Feed with Internal Batteries & MS Network/ModBus Card	9EB06GG05031003	208 or 220V	Single	6.6 / 18	74.0 x 23.6 x 31.5	1499	\$42,656
60 kVA UPS Dual Feed with Internal Batteries	9EB06GG05002003	208 or 220V	Dual	6.6 / 18	74.0 x 23.6 x 31.5	1513	\$42,418
60 kVA UPS Dual Feed with Internal Batteries & MS Network Card	9EB06GG05022003	208 or 220V	Dual	6.6 / 18	74.0 x 23.6 x 31.5	1513	\$42,656
60 kVA UPS Dual Feed with Internal Batteries & MS Network/ModBus Card	9EB06GG05032003	208 or 220V	Dual	6.6 / 18	74.0 x 23.6 x 31.5	1513	\$42,752

93E (40-60 KVA) MAINTENANCE BYPASS OPTIONS: INTEGRATED ACCESSORY CABINETS - SIAC-B, IAC-B and WALL MOUNT BYPASS CABINETS

Description	Part Number	Input/Output Voltage	Input Feed	Installation Location	Dimensions (H x W x D, inches)	Weight (lb)	List Price
93E 40-60 kVA SIAC-B - Slim line Bypass for Single Feed Units (right)	9EZHB1010000000	208 or 220V	Single	Right	74.0 x 8.0 x 31.5	252	\$4,675
93E 40-60 kVA SIAC-B - Slim line Bypass for Single Feed Units (left) ³	9EZHB1020000000	208 or 220V	Single	Left	74.0 x 8.0 x 31.5	252	\$4,675
93E 40-60 kVA SIAC-B - Slim line Bypass for Dual Feed Units (right)	9EZHB2010000000	208 or 220V	Dual	Right	74.0 x 8.0 x 31.5	277	\$5,247
93E 40-60 kVA SIAC-B - Slim line Bypass for Dual Feed Units (left) ³	9EZHB2020000000	208 or 220V	Dual	Left	74.0 x 8.0 x 31.5	277	\$5,247
93E 40-60 kVA IAC-B - Maintenance Bypass for Single Feed Units (full width)	9EZBB1000000000	208 or 220V	Single	Either	74.0 x 20.9 x 31.5	334	\$9,063
93E 40-60 kVA IAC-B - Maintenance Bypass for Dual Feed Units (full width)	9EZBB2000000000	208 or 220V	Dual	Either	74.0 x 20.9 x 31.5	364	\$9,445
93E 40-60 kVA Wall Mount Maintenance Bypass Panel ⁴	M1BFFX0X1XXXXXX	208 or 220V	Single ³	Wall	57.0 x 24.0 x 11.3	700	\$7,632
93E 40-60 kVA Wall Mount Maintenance Bypass Panel With 36 Pole Distribution ⁷	M9EZGB110000000	208 or 220V	Single ³	Wall	73.5 x 24.0 x 11.3	725	\$8,586

EATON 93E UPS & ACCESSORIES

(continued)

93E (40-60 KVA) TRANSFORMER OPTIONS: INTEGRATED TRANSFORMER CABINET - (ITC)

Description	Part Number	Input/Output Voltage	Input Feed	Installation Location	Dimensions (H x W x D, inches)	Weight (lb)	List Price
93E 40-60 kVA IAC - 480V input transformer, Single Transformer ⁵	9EZFBAA000000000	480/208V	Single	Line and match	74.0 x 31.3 x 31.5	918	\$10,876
93E 40-60 kVA IAC - 480V input, 480V output Dual Transformers ⁵	9EZFBBA000000000	480/480V	Single	Line and match	74.0 x 31.3 x 31.5	1446	\$13,738

93E (40-60 KVA) POWER DISTRIBUTION OPTIONS: INTEGRATED ACCESSORY CABINET - DISTRIBUTION - IAC-D

Description	Part Number	Input Voltage	Subfeed #1 Rating	Subfeed #2 Rating	Subfeed #3 Rating	Dimensions (H x W x D, inches)	Weight (lb)	List Price
93E 40-60 kVA IAC-D - W/42-pole Dist Panelboard and No Subfeed Breakers ^{5,7}	9EZDB00000000000	208 or 220V	None	None	None	74.0 x 20.9 x 31.5	315	\$8,109
93E 40-60 kVA IAC-D - W/42-pole Dist Panelboard 1-250A Subfeed BRKR ^{5,7}	9EZDBA0000000000	208 or 220V	250A	None	None	74.0 x 20.9 x 31.5	258	\$8,682
93E 40-60 kVA IAC-D - W/42-pole Dist Panelboard 2-250A Subfeed BRKR ^{5,7}	9EZDBAA000000000	208 or 220V	250A	250A	None	74.0 x 20.9 x 31.5	278	\$9,254
93E 40-60 kVA IAC-D - W/42-pole Dist Panelboard 3-250A Subfeed BRKR ^{5,7}	9EZDBAAA00000000	208 or 220V	250A	250A	250A	74.0 x 20.9 x 31.5	298	\$9,827

Subfeed Breaker Options

Subfeed breakers are also available in 125A and 80A ratings	Breaker Trip Rating changes	Original	New	Pricing change
Subfeed #1 = Part number digit 6 (9EZDA*A*000000000)	From 250A to 125A	A	B	None
Subfeed #2 = Part number digit 7 (9EZDAA*A*000000000)	From 250A to 80A	A	C	None
Subfeed #3 = Part number digit 8 (9EZDAAA*A*000000000)				

93E (40-60 KVA) PARALLELING CABINET OPTIONS: INTEGRATED ACCESSORY CABINET - TIE & BYPASS IAC-TB or TIE ONLY - IAC-T and WALL MOUNT CABINETS

Description	Part Number	Input/Output Voltage	Output Rating	Breaker Ratings (Qty)	Dimensions (H x W x D, inches)	Weight (lb)	List Price
93E 40-60 kVA IAC-TB - Tie/Bypass for 1+1 Redundant with Maintenance Bypass	9EZCB01000000000	208 or 220V	60kVA	250A (4)	74.0 x 20.9 x 31.5	350	\$12,402
93E 40-60 kVA IAC-TB - Tie/Bypass for 2+0 Capacity with Maintenance Bypass	9EZCB02000000000	208 or 220V	120kVA	250A (2) /500A (2)	74.0 x 20.9 x 31.5	456	\$14,310
93E 40-60 kVA IAC-T - Tie for up to 3+1 Redundant system	9EZEB04000000000	208 or 220V	180kVA	250A (4)	74.0 x 20.9 x 31.5	404	\$15,264
93E 40-60 180 kVA Wall Mount Maintenance Bypass Panel	M1BN0X0X1XXXXXX	208 or 220V	180kVA	800A (2)	73.5 x 24.0 x 11.3	350	\$14,787
93E 40-60 180 kVA Wall Mount Maintenance Bypass Panel With 36 Pole Distribution ⁷	M9EZGB310000000	208 or 220V	180kVA	800A (2)	90.0 x 36.0 x 11.3	550	\$15,741

93E (40-60 KVA) EXTENDED BATTERY CABINET OPTIONS

Description	Part Number	Number of Batteries	DC Voltage	Number of Strings	Dimensions (H x W x D, inches)	Weight (lb)	List Price
93E 40-60 kVA Extended Battery Cabinet ⁶	9EZABB00000000000	72	216V	4	74.0 x 31.3 x 31.5	2713	\$19,080
93E 40-60 kVA Extended Battery Cabinet ⁶	9EZABC00000000000	108	216V	6	74.0 x 31.3 x 31.5	3117	\$24,804

Notes:

- Contact service for information on kVA upgrade kits
- External battery cabinet (EBC) can be added at any time, however requires authorized service
- Eaton recommends you use a left side SAIC-B if Extended battery cabinets (EBC) are to be installed
- Wall mount bypass are three-breaker type, therefore for dual feed, separate feed will be required to be supplied by others to feed rectifier
- Mount Transformer or IDC cabinets on the same side as SAIC-B cabinet
- Maximum of 2 Extended Battery Cabinets can be bought for a system. See runtime chart.
- Distribution breakers for 36 pole panel are Eaton type BAB or QBH

SERVICES

For detailed information on service plans, please refer to the Three-phase Service section on page 114.

EATON 93E UPS & ACCESSORIES

(continued)

93E 40 kVA BATTERY RUNTIME CHART

UPS Part No	9EG-----	UPS Part No	9EB-----	9EB-----	9EB-----	9EB-----	9EB-----
EBC		EBC		9EZABB----	9EZABC----	9EZABB----	9EZABC----
% Load on UPS	Internal Battery	% Load on UPS	Internal Battery	Qty 1	Qty 1	Qty 2	Qty 2
100%	7	100%	12	46	65	85	128
90%	9	90%	14	52	73	96	146
80%	11	80%	17	60	85	111	168
75%	12	75%	18	65	92	120	181
70%	13	70%	19	70	99	130	197
67%	14	67%	21	74	105	138	209
60%	16	60%	23	84	119	156	236
50%	20	50%	29	104	147	193	291
40%	26	40%	37	134	190	249	376
30%	36	30%	52	186	263	345	-
25%	44	25%	64	228	324	425	-
20%	57	20%	82	295	418	-	-
10%	128	10%	183	-	-	-	-

93E 60 kVA BATTERY RUNTIME CHART

UPS Part No	9EB-----	9EB-----	9EB-----	9EB-----	9EB-----
EBC		9EZAAB----	9EZAAC----	9EZAAB----	9EZAAC----
% Load on UPS	Internal Battery	Qty 1	Qty 1	Qty 2	Qty 2
100%	6.6	27	39	51	77
90%	7.7	31	44	58	88
80%	9.0	36	51	67	102
75%	10.0	39	56	73	111
70%	11.0	43	61	80	121
67%	12.0	46	65	85	128
60%	14.0	52	73	96	146
50%	18.0	65	92	120	181
40%	23.0	84	119	156	236
30%	33.0	117	166	217	329
25%	40.0	144	204	268	404
20%	52.0	186	263	345	-
10%	114.0	412	-	-	-

Note: Backup times are approximate and may vary with equipment, configuration, battery age, temperature, etc.

EATON 9390IT UPS

Powerware series

Double-conversion

- All-in-one, space efficient, completely integrated system with internal batteries (40 kVA) and distribution delivers optimal end-of-row data center solution
- Industry leading power density, providing up to 23 percent more power capacity in a compact all-in-one tower with internal batteries
- **Industry's smallest footprint at 40 kVA, providing up to a 61 percent footprint reduction**
- Scalable 40 kVA modular building block, allowing for cost-effective expansion to 80 kVA with an on-board tie cabinet and 160 kVA with a four-module tie cabinet
- Up to 40 percent more STANDARD runtime, eliminating the need for external battery cabinets
- On-board pre-wired maintenance bypass and integrated distribution cabinets provide greater redundancy and reduce installation and maintenance costs
- Reduced footprint extended run modules for longer runtime applications
- Inherently 208 or 480 Vac-capable with no transformers
- Patented Powerware Hot Sync® paralleling technology enables paralleling of up to four 9390 UPSs for additional capacity or redundancy
- Power management software suite includes applications for remote UPS monitoring, management and shutdown to help insure system and data integrity
- Includes Eaton Saver System, ESS
- Factory startup (5x8) included standard on all models; one-year parts warranty, 90-day labor warranty from startup date; two-year battery warranty on internal batteries
- 9390IT with distribution from 40-160 kVA (standalone units only)
- Includes on-site 5x8 startup and operator training by Eaton field technician
- Includes one year of eNotify remote monitoring service (requires connectivity parts and self installation)
- Includes one year local (250 km) 5x8 Corrective warranty, Local 5x8 start-up



9390IT (40 kVA) BASE MODELS

Part Number	Description	Rating (kVA/kW)	Input/Output Voltage	Base Run- time (min)	Dimensions (H x W x D, inches)	Weight (lb)	List Price
TA04A1001150010	9390IT 40 kVA UPS with internal batteries	40 kVA/36 kW	208/208	8	73.7 x 27.9 x 31.0	1,445	\$42,253
TA04A2001150010	9390IT 40 kVA UPS with internal batteries	40 kVA/36 kW	480/480	8	73.7 x 27.9 x 31.0	1,445	\$38,975
TA04A1001180010	9390IT 40 kVA extended-run UPS module (no internal batteries)	40 kVA/36 kW	208/208	0	73.7 x 18.9 x 31.6	590	\$38,539
TA04A2001180010	9390IT 40 kVA extended-run UPS module (no internal batteries)	40 kVA/36 kW	480/480	0	73.7 x 18.9 x 31.6	540	\$36,487
TA04A1001153010	9390IT 40 kVA UPS with internal batteries and integrated three-breaker maintenance bypass sidecar (175A BIB, MBP, & MIS breakers)	40 kVA/36 kW	208/208	8	73.7 x 35.9 x 31.0	1,595	\$47,242
TA04A2001153010	9390IT 40 kVA UPS with internal batteries and integrated three-breaker maintenance bypass sidecar (70A BIB, MBP, & MIS breakers)	40 kVA/36 kW	480/480	8	73.7 x 35.9 x 31.0	1,595	\$43,964
TA04A1001183010	9390IT 40 kVA extended-run UPS module and integrated three-breaker maintenance bypass sidecar (175A BIB, MBP, & MIS breakers)	40 kVA/36 kW	208/208	0	73.7 x 26.9 x 31.6	740	\$43,527
TA04A2001183010	9390IT 40 kVA extended-run UPS module and integrated three-breaker maintenance bypass sidecar (70A BIB, MBP, & MIS breakers)	40 kVA/36 kW	480/480	0	73.7 x 26.9 x 31.6	690	\$41,475
TA04A1001159010	9390IT 40 kVA UPS with internal batteries and two-system parallel tie sidecar (with output system load breaker)	40 kVA/36 kW	208/208	8	73.7 x 35.9 x 31.0	1,595	\$47,242
TA04A2001159010	9390IT 40 kVA UPS with internal batteries and two-system parallel tie sidecar (with output system load breaker)	40 kVA/36 kW	480/480	8	73.7 x 35.9 x 31.0	1,595	\$43,964
TA04A1001189010	9390IT 40 kVA with internal batteries and two-system parallel tie sidecar (with output system load breaker and no internal batteries)	40 kVA/36 kW	208/208	0	73.7 x 26.9 x 31.6	740	\$43,527
TA04A2001189010	9390IT 40 kVA with internal batteries and two-system parallel tie sidecar (with output system load breaker and no internal batteries)	40 kVA/36 kW	480/480	0	73.7 x 26.9 x 31.6	690	\$41,475

For Order Notes please go to the bottom of the next page

EATON 9390IT UPS

Powerware series *(continued)*

9390IT WITH DISTRIBUTION

Part Number	Description	Rating (kVA/kW)	Input/Output Voltage	Base Run- time (min)	Dimensions (H x W x D, inches)	Weight (lb)	List Price
TA04A100115K010	9390IT 40 kVA UPS with internal batteries and integrated IT distribution. Includes 12 / L6-30 receptacles with three breaker maintenance bypass (BIB, MBP, & MIS breakers)	40 kVA/36 kW	208/208	8	73.7 x 34.9 x 31.0	1,590	\$53,416
TA04A100115P010	9390IT 40 kVA UPS with internal batteries and integrated IT distribution. Includes 6 / L21-30 receptacles with three breaker maintenance bypass (BIB, MBP, & MIS breakers)	40 kVA/36 kW	208/208	8	73.7 x 34.9 x 31.0	1,590	\$51,089
TA04A100115R010	9390IT 40 kVA UPS with internal batteries and integrated IT distribution. Includes 4 / IEC309-60 receptacles with three breaker maintenance bypass (BIB, MBP, & MIS breakers)	40 kVA/36 kW	208/208	8	73.7 x 34.9 x 31.0	1,590	\$54,383
TA04A100118K010	9390IT 40 kVA extended-run UPS module with integrated IT distribution. Includes 12 / L6-30 receptacles with three breaker maintenance bypass (BIB, MBP, & MIS breakers)	40 kVA/36 kW	208/208	-	73.7 x 26.9 x 31.0	735	\$40,700
TA04A100118P010	9390IT 40 kVA extended-run UPS module with integrated IT distribution. Includes 6 / L21-30 receptacles with three breaker maintenance bypass (BIB, MBP, & MIS breakers)	40 kVA/36 kW	208/208	-	73.7 x 26.9 x 31.0	735	\$38,372
TA04A100118R010	9390IT 40 kVA extended-run UPS module with integrated IT distribution. Includes 4 / IEC309-60 receptacles with three breaker maintenance bypass (BIB, MBP, & MIS breakers)	40 kVA/36 kW	208/208	-	73.7 x 26.9 x 31.0	735	\$41,666
TE04A400118P010	9390IT 40 kVA extended-run UPS module with integrated IT distribution. Includes 4 / L22-30 receptacles with three breaker maintenance bypass (BIB, MBP, & MIS breakers)	40 kVA/36 kW	400/400	-	73.7 x 26.9 x 31.0	735	\$52,383
TE04A400118R010	9390IT 40 kVA extended-run UPS module with integrated IT distribution. Includes 2 / IEC309-60 receptacles with three breaker maintenance bypass (BIB, MBP, & MIS breakers)	40 kVA/36 kW	400/400	-	73.7 x 26.9 x 31.0	735	\$52,924
TB08A100118P010	9390IT 80 kVA extended-run UPS module with integrated IT distribution. Includes 12 / L21-30 receptacles with three breaker maintenance bypass (BIB, MBP, & MIS breakers)	80 kVA/72 kW	208/208	-	73.7 x 26.9 x 31.0	790	\$66,406
TB08A100118R010	9390IT 80 kVA extended-run UPS module with integrated IT distribution. Includes 6 / IEC309-60 receptacles with three breaker maintenance bypass (BIB, MBP, & MIS breakers)	80 kVA/72 kW	208/208	-	73.7 x 26.9 x 31.0	790	\$70,427
TF08A400118P010	9390IT 80 kVA extended-run UPS module with integrated IT distribution. Includes 6 / L22-30 receptacles with three breaker maintenance bypass (BIB, MBP, & MIS breakers)	80 kVA/72 kW	400/400	-	73.7 x 26.9 x 31.0	785	\$68,979
TF08A400118R010	9390IT 80 kVA extended-run UPS module with integrated IT distribution. Includes 4 / IEC309-60 receptacles with three breaker maintenance bypass (BIB, MBP, & MIS breakers)	80 kVA/72 kW	400/400	-	73.7 x 26.9 x 31.0	785	\$71,132
TG12A400118P010	9390IT 120 kVA extended-run UPS module with integrated IT distribution. Includes 9 / L22-30 receptacles with three breaker maintenance bypass (BIB, MBP, & MIS breakers)	120 kVA/108 kW	400/400	-	73.7 x 43.9 x 31.0	1,110	\$77,465
TH16A400118R010	9390IT 160 kVA extended-run UPS module with integrated IT distribution. Includes 6 / IEC209-60 receptacles with three breaker maintenance bypass (BIB, MBP, & MIS breakers)	160 kVA/144 kW	400/400	-	73.7 x 43.9 x 31.0	1,200	\$83,513

1. To order a parallel system, change digit 5 to a B and digit 7 or 8 (Can-Bridge Card) must also be 2. 2. On-board maintenance bypass side-car systems have 65 kAIC breakers @ 208 Vac and 35 kAIC breakers @ 480 Vac. 3. For Load-sync Control, digit 15 must be a 2 and requires one wall-mounted control box for two systems—see miscellaneous parts. 4. For runtimes exceeding 8 minutes, an extended Run-UPS BASE Module and battery cabinet is required

EATON 9390IT UPS

Powerware series (continued)

CONNECTIVITY OPTIONS

Description	CTO Part Number	List Price
HotSync CAN Bridge Card (required to obtain RS485 Port for RMP II/RIM II/SCM II)	103004336	\$574
Power Xpert Gateway UPS Card	103007974-5591	\$621
ModBus Communication Card	103002510-5501	\$911
Standard Relay Card (<60 Vac rated, IBM AS/400)	1018460	\$202
Industrial Relay and Display Drive Card X-Slot (5A @ 250 Vac)	103003055	\$462

9390IT OPTIONS (40 kVA)

Part Number	Description	Input/Output Voltage	Dimensions (H x W x D, inches)	Weight (lb)	List Price
T0411200000001	IDC with MBS and main output breaker	208/208	73.7 x 35.8 x 31.6	350	\$7,993
T0411220000021	IDC with MBS, K-13 isolation transformer	208/208	73.7 x 35.8 x 31.6	1,350	\$10,197
T0415220000021	IDC with MBS, K-13 isolation transformer	480/208	73.7 x 35.8 x 31.6	1,350	\$10,924
T04112040000021	IDC with three-breaker MBS and 42-pole distribution panel	208/208	73.7 x 35.8 x 31.6	350	\$10,219
T04112044000021	IDC with three-breaker MBS and (2) 42-pole distribution panels	208/208	73.7 x 35.8 x 31.6	350	\$12,445
T04112041000021	IDC with three-breaker MBS, 42-pole distribution panel and (1) sub-feed breaker	208/208	73.7 x 35.8 x 31.6	350	\$11,196
TP0442111100010	Parallel tie maintenance bypass cabinet, (4) UPS modules 120 kVA N+1, 160 kVA capacity (150A MOBs, 600A MIS, 600A MBP)	208/208	73.5 x 36.0 x 11.5	600	\$14,765
TP0442211100010	Parallel tie maintenance bypass cabinet, (4) UPS modules 120 kVA N+1, 160 kVA capacity (70A MOBs, 250A MIS, 250A MBP)	480/480	57.0 x 24.0 x 11.5	600	\$7,557

9390IT EXTENDED BATTERY OPTIONS

Part Number	Description	Rating	Input/Output Voltage	Base Run-time (min)	Dimensions (H x W x D, inches)	Weight (lb)	List Price
TS0403E20111100	40 kVA Extended-run battery cabinet	240 Cell	480V Link	26	73.7 x 22.5 x 31.6	2,395	\$16,568
TL0403E33111100	40 kVA Extended-run battery cabinet	240 Cell	480V Link	49	73.7 x 42.7 x 31.6	3,580	\$23,021
TS0803E20111100	80 kVA Extended-run battery cabinet	240 Cell	480V Link	7.6	73.7 x 22.5 x 31.6	2,405	\$16,974
TL0803E33111100	80 kVA Extended-run battery cabinet	240 Cell	480V Link	18	73.7 x 42.7 x 31.6	3,590	\$23,465
TL0803E50111100	80 kVA Extended-run battery cabinet	240 Cell	480V Link	33	73.7 x 42.7 x 31.6	4,835	\$28,827
TL1203E28111100	120 kVA Extended-run battery cabinet	240 Cell	480V Link	7	73.7 x 42.7 x 31.6	3,245	\$21,405
TL1203E28211100	120 kVA Extended-run battery cabinet	480 Cell	480V Link	24	73.7 x 85.4 x 31.6	6,490	\$42,295
TL1203E50211100	120 kVA Extended-run battery cabinet	480 Cell	480V Link	45	73.7 x 85.4 x 31.6	9,670	\$57,134
TL1603E39111100	160 kVA Extended-run battery cabinet	240 Cell	480V Link	6.6	73.7 x 42.7 x 31.6	3,920	\$25,320
TL1603E33211100	160 kVA Extended-run battery cabinet	480 Cell	480V Link	18	73.7 x 85.4 x 31.6	7,180	\$46,627
TL1603E50211100	160 kVA Extended-run battery cabinet	480 Cell	480V Link	33	73.7 x 85.4 x 31.6	9,670	\$57,351

Order Notes

- All weights are installed weight, add 65 lb to determine shipping weight
- Main breaker feeds input of isolation transformer
- All IDC cabinets listed above include three-breaker UPS wrap-around maintenance bypass switch
- 42-pole load centers are Cutler-Hammer series, type PRL1A; use type BAB or QBHW bolt-on breakers
- 40 kVA IDC uses 175A C-H type "JG" breakers at 208V and 70A C-H type "EG" breakers at 480V
- All breakers have adjustable trip settings; please refer to the Installation Manual for details
- For seismic zone 4 construction change digit 10 to 1
- Cabinets ordered remotely will include only one set of side panels and no interconnect (battery cabinet to UPS or battery cabinet to battery)

NON-MATCHING MAINTENANCE BYPASS PANELS (40 kVA)

Part Number	Description	Rating (amps)	Input/Output Voltage	Dimensions (H x W x D, inches)	Weight (lb)	List Price
M90BEA1XXX	Maintenance bypass, 208/208V, three-breaker 10 kAIC (225A MIS/MBP/BIB)	225	208/208	73.0 x 24.0 x 11.5	400	\$4,869
M90BFA1XXX	Maintenance bypass, 208/208V, three-breaker 35 kAIC (175A MIS/MBP/BIB)	175	208/208	73.0 x 24.0 x 11.5	400	\$4,644

EATON 9390IT UPS

Powerware series (continued)

NON-MATCHING MAINTENANCE BYPASS PANELS (40 kVA) (continued)

Part Number	Description	Rating (amps)	Input/Output Voltage	Dimensions (H x W x D, inches)	Weight (lb)	List Price
M90BGA1XXX	Maintenance bypass, 208/208V, three-breaker 65 kAIC (175A MIS/MBP/BIB)	175	208/208	73.0 x 24.0 x 11.5	400	\$5,094
M90BEE1XXX	Maintenance bypass, 480/480V, three-breaker 10 kAIC (100A MIS/MBP/BIB)	100	480/480	73.0 x 24.0 x 11.5	400	\$3,632
M90BFE1XXX	Maintenance bypass, 480/480V, three-breaker 35 kAIC (70A MIS/MBP/BIB)	70	480/480	73.0 x 24.0 x 11.5	400	\$4,419
M90BGE1XXX	Maintenance bypass, 480/480V, three-breaker 65 kAIC (70A MIS/MBP/BIB)	70	480/480	73.0 x 24.0 x 11.5	400	\$4,869

MISCELLANEOUS PARTS

Part Number	Description	List Price
103006244	REPO switch, wall-mount ¹	\$461
103004223	Remote Monitor Panel "RMP II" ²	\$1,204
103004221	Relay Interface Module "RIM II" ²	\$1,181
103004222	Supervisory Contact Module "SCM II" ²	\$1,304
103007974-5591	Power Xpert Gateway UPS Card	\$621
103004336	HotSync CAN Bridge Card, (used for paralleling units and/or RMP II/RIM II/SCM II interface) ³	\$574
103004179	9390 UPS/IDC seismic mounting kit ⁴	\$777
103001040	9390 output sync control box, 208 Vac	\$12,257
103001041	9390 output sync control box, 480 Vac	\$7,647
103003876	UPS/ battery cabinet/ IDC side panel kit	\$798
152601664	Battery cabinet to battery cabinet interconnect cables (IBC-S cabinet)	\$79
152601526	Battery cabinet to battery cabinet interconnect cables (IBC-L cabinet)	\$79

Notes

1. UPS EPO is selectable as N/O or N/C. 2. Requires HotSync CAN Bridge Card to interface with these devices (only one CAN card required for up to four remote devices). Each UPM requires one card for paralleling. Same card can be used for communication to RS485 devices (RMP II, RIM II, SCM II). Remote devices (RMP II, RIM II, SCM II) require protected 120V AC source hardwired to the device. 3. HotSync CAN Bridge Card for parallel operation requires Eaton Service Engineer to configure. 4. 40–80 kVA IDC Seismic kit cannot be installed in the field. Must be factory installed. Order via CTO.

SERVICES

For detailed information on service plans, please refer to the Three-phase Service section on page 114.

9390IT BATTERY BACKUP TIMES (in minutes)*

Load (VA/Watts)	UPS w/Internal Battery
40,000 / 36,000	8.3
36,000 / 32,400	9.9
32,000 / 28,800	11.7
28,000 / 25,200	14.5
24,000 / 21,600	17.2
20,000 / 18,000	21.8
16,000 / 14,400	30.1
12,000 / 10,800	42.7
8,000 / 7,200	60.0
4,000 / 3,600	86.5

* Battery backup times are approximate and may vary with equipment, configuration, battery age, temperature, etc.

POWER-SUPPRESS 100 and POWER-SUPPRESS T7

Ultra-isolator Noise Suppressor and Isolation Provider

The Power-Suppress 100 offers the following advanced features:

- Traps unwanted harmonics
- Removes surge voltages and minimizes reflected THD
- Eliminates load generated feedback
- Available in both hardwired or line cord/receptacle models
- Fast and easy installation
- Long life operation
- Small footprint—saves valuable space
- Meets FCC Category A
- UL 1012, cUL, UL 1449

The Power-Suppress T7 provides these features

- Traps unwanted harmonics
- 20,000,000:1 (146 dB) common-mode reduction
- Normal-mode noise reduction
- Transient suppression system with status indicators
- Exclusive shielding
- K-20 rated
- Over-temperature protection
- Clean, noise-free power output
- High efficiency
- Fast, easy installation
- UL and cUL listed requirements

POWER-SUPPRESS 100: 500 to 7500 VA

Catalog Number	Style Number	Description	Input/Output Voltage	Dimensions (H x W x D, inches)	Weight (lb)	List Price
Line-cord/receptacle models						
T100R-0500	T100R-0500	PWR SUPPRESS T100 RCPT 500 VA	120V IN, 120V OUT	6.5 x 6.1 x 12.0	22	\$919
T100R-0750	T100R-0750	PWR SUPPRESS T100 RCPT 750 VA	120V IN, 120V OUT	6.5 x 6.1 x 12.0	28	\$982
T100R-1000	T100R-1000	PWR SUPPRESS T100 RCPT 1000 VA	120V IN, 120V OUT	6.5 x 6.1 x 12.0	31	\$996
T100R-1800	T100R-1800	PWR SUPPRESS T100 RCPT 1800 VA	120V IN, 120V OUT	10.5 x 11.1 x 17.0	54	\$1,319
T100R-2400	T100R-2400	PWR SUPPRESS T100 RCPT 2400 VA	120V IN, 120V OUT	10.5 x 11.1 x 17.0	58	\$1,495
Terminal style models						
T100H-0500	T100H-0500	PWR SUPPRESS T100 HW 500 VA	120/240V IN, 120/240V OUT	6.4 x 6.1 x 12.0	22	\$939
T100H-0750	T100H-0750	PWR SUPPRESS T100 HW 750 VA	120/240V IN, 120/240V OUT	6.4 x 6.1 x 12.0	28	\$990
T100H-1000	T100H-1000	PWR SUPPRESS T100 HW 1000 VA	120/240V IN, 120/240V OUT	6.4 x 6.1 x 12.0	31	\$1,008
T100H-1800	T100H-1800	PWR SUPPRESS T100 HW 1800 VA	120/240V IN, 120/240V OUT	10.3 x 11.1 x 17.0	54	\$1,183
T100H-2500	T100H-2500	PWR SUPPRESS T100 HW 2500 VA	120/240V IN, 120/240V OUT	10.3 x 11.1 x 17.0	58	\$1,460
T100H-5000	T100H-5000	PWR SUPPRESS T100 HW 5000 VA	120/240V IN, 120/240V OUT	10.3 x 11.1 x 17.0	86	\$2,127
T100H-5001*	T100H-5001	PWR SUPPRESS T100 HW V 5000 VA	240/480V IN, 120/240V OUT	10.3 x 11.1 x 17.0	92	\$2,574
T100H-7500	T100H-7500	PWR SUPPRESS T100 HW 7500 VA	120/240V IN, 120/240V OUT	10.3 x 11.1 x 17.0	116	\$2,581
T100H-7501*	T100H-7501	PWR SUPPRESS T100 HW 7500 VA	240/480V IN, 120/240V OUT	10.3 x 11.1 x 17.0	111	\$3,124

* Please note the higher input voltage on these models

POWER-SUPPRESS T7: 15 to 225 kVA

Catalog Number	Style Number	Description	Dimensions (H x W x D, inches)	Weight (lb)	List Price
T7H208-15K	97201-31	PWR SUPPRESS T7 208/208V 15 kVA	31 x 35 x 18	420	\$11,873
T7H208-30K	97203-31	PWR SUPPRESS T7 208/208V 30 kVA	31 x 35 x 18	490	\$12,126
T7H208-50K	97205-31	PWR SUPPRESS T7 208/208V 50 kVA	43 x 43 x 22	710	\$14,122
T7H208-75K	97207-31	PWR SUPPRESS T7 208/208V 75 kVA	43 x 43 x 22	950	\$16,701
T7H480-100K	97410-31	PWR SUPPRESS T7 480/208V 100 kVA	43 x 43 x 22	990	\$20,119
T7H480-125K	97412-31	PWR SUPPRESS T7 480/208V 125 kVA	43 x 43 x 22	1,140	\$23,261
T7H480-150K	97415-31	PWR SUPPRESS T7 480/208V 150 kVA	43 x 43 x 22	1,240	\$24,848
T7H480-15K	97401-31	PWR SUPPRESS T7 480/208V 15 kVA	35 x 31 x 18	420	\$13,350
T7H480-225K	97422-31	PWR SUPPRESS T7 480/208V 225 kVA	55 x 47 x 28	1,780	\$29,225
T7H480-30K	97403-31	PWR SUPPRESS T7 480/208V 30 kVA	35 x 31 x 18	490	\$12,920
T7H480-50K	97405-31	PWR SUPPRESS T7 480/208V 50 kVA	43 x 43 x 22	710	\$14,320
T7H480-75K	97407-31	PWR SUPPRESS T7 480/208V 75 kVA	43 x 43 x 22	810	\$17,815

POWER-SURE 700

The Power-Sure 700 provides intelligent protection for transmitters & industrial controls.

- Fast microprocessor controlled voltage regulation
- Tight output voltage regulation
- Zero-current switching
- Wide input regulation range
- Triple shielded, computer grade transformer
- Highly efficient—97% typical
- High inrush capability
- Transient protection and high frequency filter
- Includes input circuit breaker
- Manual bypass switch
 - Optional 10-45 kVA
 - Standard 50+ kVA

POWER-SURE 700 POWER CONDITIONERS: 208/208V

Catalog Number	Style Number	Description	Dimensions** (H x W x D, inches)	Weight (lb)	List Price
TBL-010K-6	TBL-010K-6	PWRSURE 700 208/208V 10 kVA	30.2 x 22.2 x 29.0	440	\$18,581
TBL-015K-6	TBL-015K-6	PWRSURE 700 208/208V 15 kVA	30.2 x 22.2 x 29.0	520	\$20,108
TBL-025K-6	TBL-025K-6	PWRSURE 700 208/208V 25 kVA	44.2 x 22.2 x 29.0	700	\$28,999
TBL-030K-6	TBL-030K-6	PWRSURE 700 208/208V 30 kVA	30.2 x 22.2 x 29.0	720	\$25,113
TBL-045K-6	TBL-045K-6	PWRSURE 700 208/208V 45 kVA	30.2 x 22.2 x 29.0	950	\$31,292
TBL-050K-6	TBL-050K-6	PWRSURE 700 208/208V 50 kVA	66.0 x 29.0 x 35.5	970	\$38,166
TBL-075K-6	TBL-075K-6	PWRSURE 700 208/208V 75 kVA	76.0 x 34.4 x 35.5	1100	\$50,342
TBL-100K-6	TBL-100K-6	PWRSURE 700 208/208V 100 kVA	76.0 x 34.4 x 35.5	1660	\$58,229
TBL-125K-6	TBL-125K-6	PWRSURE 700 208/208V 125 kVA	76.0 x 34.4 x 35.5	1980	\$65,802
TBL-150K-6	TBL-150K-6	PWRSURE 700 208/208V 150 kVA	76.0 x 34.4 x 35.5	2200	\$78,298
TBL-225K-6	TBL-225K-6	PWRSURE 700 208/208V 225 kVA	77.4 x 56.0 x 41.5	3300	\$121,022
TBL-300K-6	TBL-300K-6	PWRSURE 700 208/208V 300 kVA	77.4 x 56.0 x 41.5	4000	\$144,200

POWER-SURE 700 POWER CONDITIONERS: 240/208V

Catalog Number	Style Number	Description	Dimensions (H x W x D, inches)	Weight (lb)	List Price
TCL-010K-6	TCL-010K-6	PWRSURE 700 240/208V 10 kVA	30.2 x 22.2 x 29.0	440	\$18,697
TCL-015K-6	TCL-015K-6	PWRSURE 700 240/208V 15 kVA	30.2 x 22.2 x 29.0	520	\$20,108
TCL-030K-6	TCL-030K-6	PWRSURE 700 240/208V 30 kVA	30.2 x 22.2 x 29.0	720	\$24,341
TCL-045K-6	TCL-045K-6	PWRSURE 700 240/208V 45 kVA	30.2 x 22.2 x 29.0	950	\$36,832
TCL-050K-6	TCL-050K-6	PWRSURE 700 240/208V 50 kVA	66.0 x 29.0 x 35.5	970	\$32,196
TCL-075K-6	TCL-075K-6	PWRSURE 700 240/208V 75 kVA	76.0 x 34.4 x 35.5	1100	\$46,511
TCL-100K-6	TCL-100K-6	PWRSURE 700 240/208V 100 kVA	76.0 x 34.4 x 35.5	1660	\$60,434

POWER-SURE 700 POWER CONDITIONERS: 480/208V

Catalog Number	Style Number	Description	Dimensions (H x W x D, inches)	Weight (lb)	List Price
TDL-010K-6	TDL-010K-6	PWRSURE 700 480/208V 10 kVA	30.2 x 22.2 x 29.0	440	\$20,588
TDL-015K-6	TDL-015K-6	PWRSURE 700 480/208V 15 kVA	30.2 x 22.2 x 29.0	520	\$22,776
TDL-025K-6	TDL-025K-6	PWRSURE 700 480/208V 25 kVA	44.2 x 22.2 x 29.0	700	\$24,463
TDL-030K-6	TDL-030K-6	PWRSURE 700 480/208V 30 kVA	30.2 x 22.2 x 29.0	720	\$25,521
TDL-045K-6	TDL-045K-6	PWRSURE 700 480/208V 45 kVA	30.2 x 22.2 x 29.0	950	\$33,376
TDL-050K-6	TDL-050K-6	PWRSURE 700 480/208V 50 kVA	66.0 x 29.0 x 35.5	970	\$33,574
TDL-075K-6	TDL-075K-6	PWRSURE 700 480/208V 75 kVA	76.0 x 34.4 x 35.5	1100	\$50,049
TDL-100K-6	TDL-100K-6	PWRSURE 700 480/208V 100 kVA	76.0 x 34.4 x 35.5	1660	\$54,305
TDL-125K-6	TDL-125K-6	PWRSURE 700 480/208V 125 kVA	76.0 x 34.4 x 35.5	1980	\$54,007
TDL-150K-6	TDL-150K-6	PWRSURE 700 480/208V 150 kVA	76.0 x 34.4 x 35.5	2200	\$60,285
TDL-225K-6	TDL-225K-6	PWRSURE 700 480/208V 225 kVA	77.4 x 56.0 x 41.5	3300	\$105,649
TDL-300K-6	TDL-300K-6	PWRSURE 700 480/208V 300 kVA	77.4 x 56.0 x 41.5	4000	\$111,872

POWER-SURE 700 (continued)**POWER-SURE 700 POWER CONDITIONERS: 480/480V**

Catalog Number	Style		Dimensions (H x W x D, inches)	Weight (lb)	List Price
	Number	Description			
TDN-010K-6	TDN-010K-6	PWRSURE 700 480/480V 10 kVA	30.2 x 22.2 x 29.0	440	\$19,017
TDN-025K-6	TDN-025K-6	PWRSURE 700 480/480V 25 kVA	44.2 x 22.2 x 29.0	700	\$26,805
TDN-030K-6	TDN-030K-6	PWRSURE 700 480/480V 30 kVA	30.2 x 22.2 x 29.0	720	\$26,739
TDN-045K-6	TDN-045K-6	PWRSURE 700 480/480V 45 kVA	30.2 x 22.2 x 29.0	950	\$34,368
TDN-075K-6	TDN-075K-6	PWRSURE 700 480/480V 75 kVA	76.0 x 34.4 x 35.5	1100	\$40,414
TDN-100K-6	TDN-100K-6	PWRSURE 700 480/480V 100 kVA	76.0 x 34.4 x 35.5	1660	\$58,698
TDN-125K-6	TDN-125K-6	PWRSURE 700 480/480V 125 kVA	76.0 x 34.4 x 35.5	1980	\$54,652
TDN-150K-6	TDN-150K-6	PWRSURE 700 480/480V 150 kVA	76.0 x 34.4 x 35.5	2200	\$66,012
TDN-225K-6	TDN-225K-6	PWRSURE 700 480/480V 225 kVA	77.4 x 56.0 x 41.5	3300	\$96,890
TDN-300K-6	TDN-300K-6	PWRSURE 700 480/480V 300 kVA	77.4 x 56.0 x 41.5	4000	\$118,938

POWER-SURE 700 POWER CONDITIONERS: 600/208V

Catalog Number	Style		Dimensions** (H x W x D, inches)	Weight (lb)	List Price
	Number	Description			
TEL-010K-6	TEL-010K-6	PWRSURE 700 600/208V 10 kVA	30.2 x 22.2 x 29.0	440	\$19,364
TEL-015K-6	TEL-015K-6	PWRSURE 700 600/208V 15 kVA	30.2 x 22.2 x 29.0	520	\$20,803
TEL-025K-6	TEL-025K-6	PWRSURE 700 600/208V 25 kVA	44.2 x 22.2 x 29.0	700	\$25,212
TEL-030K-6	TEL-030K-6	PWRSURE 700 600/208V 30 kVA	30.2 x 22.2 x 29.0	720	\$25,433
TEL-045K-6	TEL-045K-6	PWRSURE 700 600/208V 45 kVA	30.2 x 22.2 x 29.0	950	\$33,657
TEL-050K-6	TEL-050K-6	PWRSURE 700 600/208V 50 kVA	66.0 x 29.0 x 35.5	970	\$34,247
TEL-075K-6	TEL-075K-6	PWRSURE 700 600/208V 75 kVA	76.0 x 34.4 x 35.5	1100	\$52,337
TEL-100K-6	TEL-100K-6	PWRSURE 700 600/208V 100 kVA	76.0 x 34.4 x 35.5	1660	\$62,203
TEL-125K-6	TEL-125K-6	PWRSURE 700 600/208V 125 kVA	76.0 x 34.4 x 35.5	1980	\$56,952
TEL-150K-6	TEL-150K-6	PWRSURE 700 600/208V 150 kVA	76.0 x 34.4 x 35.5	2200	\$76,683
TEL-225K-6	TEL-225K-6	PWRSURE 700 600/208V 225 kVA	77.4 x 56.0 x 41.5	3300	\$105,649
TEL-300K-6	TEL-300K-6	PWRSURE 700 600/208V 300 kVA	77.4 x 56.0 x 41.5	4000	\$118,790

POWER-SURE 700 POWER CONDITIONERS: 600/480V

Catalog Number	Style		Dimensions (H x W x D, inches)	Weight (lb)	List Price
	Number	Description			
TEN-010K-6	TEN-010K-6	PWRSURE 700 600/480V 10 kVA	30.2 x 22.2 x 29.0	440	\$19,017
TEN-015K-6	TEN-015K-6	PWRSURE 700 600/480V 15 kVA	30.2 x 22.2 x 29.0	520	\$21,393
TEN-025K-6	TEN-025K-6	PWRSURE 700 600/480V 25 kVA	44.2 x 22.2 x 29.0	700	\$23,575
TEN-030K-6	TEN-030K-6	PWRSURE 700 600/480V 30 kVA	30.2 x 22.2 x 29.0	720	\$26,458
TEN-045K-6	TEN-045K-6	PWRSURE 700 600/480V 45 kVA	30.2 x 22.2 x 29.0	950	\$30,234
TEN-075K-6	TEN-075K-6	PWRSURE 700 600/480V 75 kVA	76.0 x 34.4 x 35.5	1100	\$48,148
TEN-100K-6	TEN-100K-6	PWRSURE 700 600/480V 100 kVA	76.0 x 34.4 x 35.5	1660	\$56,537
TEN-125K-6	TEN-125K-6	PWRSURE 700 600/480V 125 kVA	76.0 x 34.4 x 35.5	1980	\$58,472
TEN-150K-6	TEN-150K-6	PWRSURE 700 600/480V 150 kVA	76.0 x 34.4 x 35.5	2200	\$69,391
TEN-225K-6	TEN-225K-6	PWRSURE 700 600/480V 225 kVA	77.4 x 56.0 x 41.5	3300	\$100,187
TEN-300K-6	TEN-300K-6	PWRSURE 700 600/480V 300 kVA	77.4 x 56.0 x 41.5	4000	\$113,757

** 10 & 15 KVA units utilize the next larger cabinet size when the meter option is included

POWER-SURE 700 OPTIONS

Suffix	Description	List Price Adder
B	Maintenance Bypass 10 kVA to 30 kVA	Call
B	Maintenance Bypass 45 kVA	Call
M1	Standard Meter option	Call
M2	Premium Meter option	Call
S	Integrated Surge Protection	Call
W	Extended Regulation range (+10% to -40%)	C/F

POWER-SURE 800

Power Conditioners (500VA to 25 kVA)

Superior power conditioning for industrial, commercial and medical equipment. Power-Sure 800 power conditioners provide high quality power with inherent surge protection, noise and bi-directional harmonic filtering, as well as superior isolation. Power-Sure 800 units range from office models to floor or wall/panel mounted industrial models and provide an excellent solution for any application with noisy or poor power quality.

- Superior isolation
- Tight voltage regulation
- High immunity to distortion
- Lightning and surge protection
- Protection against power interruptions
- Power factor correction
- Bi-directional harmonic filtering
- Meets ANSI standards for computers with inputs as low as 50% of nominal
- UL 1012, UL 544 and cUL Listed
- K-30 rated design

POWER-SURE 800 POWER CONDITIONERS: 60 Hz Models—Receptacle Style (Plug-and-play)

Catalog Number	Style Number	Description	Dimensions (H x W x D, inches)	Weight (lb)	List Price
T800R-00500	T800R-00500	PWRSURE 800 OFC/RCPT 500 VA	8.5 x 12.8 x 9.5	32	\$1,018
T800R-00700	T800R-00700	PWRSURE 800 OFC/RCPT 700 VA	8.5 x 12.8 x 9.5	35	\$1,388
T800R-00850	T800R-00850	PWRSURE 800 OFC/RCPT 800 VA	8.5 x 12.8 x 9.5	37	\$1,431
T800R-01000	T800R-01000	PWRSURE 800 OFC/RCPT 1 kVA	8.5 x 12.8 x 17.5	46	\$1,520
T800R-01600	T800R-01600	PWRSURE 800 OFC/RCPT 1.6 kVA	8.5 x 12.8 x 17.5	62	\$1,905
T800R-02100	T800R-02100	PWRSURE 800 OFC/RCPT 2.1 kVA	8.5 x 12.8 x 17.5	65	\$2,084
T800R-02500	T800R-02500	PWRSURE 800 OFC/RCPT 2.5 kVA	8.5 x 12.8 x 17.5	68	\$2,185
T800R-03500	T800R-03500	PWRSURE 800 OFC/RCPT 3.5 kVA	8.5 x 12.8 x 17.5	72	\$2,620
T800R-03501	T800R-03501	PWRSURE 800 OFC/RCPT 3.5 kVA	8.5 x 12.8 x 17.5	73	\$2,770
T800R-05000	T800R-05000	PWRSURE 800 OFC/RCPT 5 kVA	15.0 x 23.8 x 22.5	176	Call
T800R-07500	T800R-07500	PWRSURE 800 OFC/RCPT 7.5 kVA	15.0 x 23.8 x 22.5	210	Call
T800R-10000	T800R-10000	PWRSURE 800 OFC/RCPT 10 kVA	15.0 x 23.8 x 22.5	256	Call
T800R-15000	T800R-15000	PWRSURE 800 OFC/RCPT 15 kVA	15.0 x 23.8 x 22.5	314	Call

POWER-SURE 800 POWER CONDITIONERS: 60 Hz Models—Hardwired Wall or Panel Mount

Catalog Number	Style Number	Description	Dimensions (H x W x D, inches)	Weight (lb)	List Price
T800P-00500	T800P-00500	PWRSURE 800 PNL/HW 500 VA	9.0 x 14.0 x 10.0	52	\$1,221
T800P-00750	T800P-00750	PWRSURE 800 PNL/HW 750 VA	9.0 x 14.0 x 10.0	60	\$1,580
T800P-01000	T800P-01000	PWRSURE 800 PNL/HW 1 kVA	9.0 x 14.0 x 10.0	82	\$1,567
T800P-01500	T800P-01500	PWRSURE 800 PNL/HW 1.5 kVA	13.0 x 16.5 x 14.8	106	\$2,258
T800P-02000	T800P-02000	PWRSURE 800 PNL/HW 2 kVA	13.0 x 16.5 x 14.8	125	\$2,182
T800P-03000	T800P-03000	PWRSURE 800 PNL/HW 3 kVA	13.0 x 16.5 x 14.8	142	\$3,385
T800P-05000	T800P-05000	PWRSURE 800 PNL/HW 5 kVA	27.0 x 22.5 x 28.5	437	\$6,075
T800P-08000	T800P-08000	PWRSURE 800 PNL/HW 8 kVA	27.0 x 22.5 x 28.5	495	\$7,480
T800P-10000	T800P-10000	PWRSURE 800 PNL/HW 10 kVA	27.0 x 22.5 x 28.5	537	\$9,134

POWER-SURE 800 POWER CONDITIONERS: 60 Hz Models—Hardwired Floor Mount

Catalog Number	Style Number	Description	Dimensions (H x W x D, inches)	Weight (lb)	List Price
T800F-05000	T800F-05000	PWRSURE 800 FLR/HW 5 kVA	23.0 x 20.0 x 28.5	407	\$6,190
T800F-08000	T800F-08000	PWRSURE 800 FLR/HW 8 kVA	23.0 x 20.0 x 28.5	465	\$7,475
T800F-10000	T800F-10000	PWRSURE 800 FLR/HW 10 kVA	23.0 x 20.0 x 28.5	407	\$8,390
T800F-15000	T800F-15000	PWRSURE 800 FLR/HW 15 kVA	35.0 x 25.0 x 39.5	830	\$13,031
T800F-20000	T800F-20000	PWRSURE 800 FLR/HW 20 kVA	35.0 x 25.0 x 39.5	950	\$15,770
T800F-25000	T800F-25000	PWRSURE 800 FLR/HW 25 kVA	35.0 x 25.0 x 39.5	1070	\$18,008

POWER-SURE 800

CUSTOM OUTPUT RECEPTACLES

Suffix	NEMA	Volts	Amps	Output Panels used*
A	(1) 5-15R	120	15	1
B	(2) 5-15R	120	15	1
C	(1) 5-20R	120	20	1
D	(2) 5-20R	120	20	1
E	(1) 5-30R	120	30	1.5
F	(1) 6-15R	208/240	15	1
G	(2) 6-15R	208/240	15	1
H	(1) 6-20R	208/240	20	1
I	(2) 6-20R	208/240	20	1
J	(1) 6-30R	208/240	30	1.5
K	(1) 6-50R	208/240	50	1.5
L	(1) 14-20R	120/240	20	1
M	(1) 14-30R	120/240	30	1.5
N	(1) L5-15R	120	120	1
P	(2) L5-15R	120	15	1
R	(1) L5-20R	120	20	1
S	(1) L5-30R	120	30	1
T	(1) L6-15R	208/240	15	1
U	(2) L6-15R	208/240	15	1
V	(1) L6-20R	208/240	20	1
W	(1) L6-30R	208/240	30	1
X	(1) L14-30R	120/240	20	1
Y	(1) L14-20R	120/240	30	1

Example:

T800R-100002B2Y Consists of 2 (2)5-15R receptacles and 2 (1)L14-30R receptacles

SOFTWARE

Software Products

UPS MANAGEMENT/SUPERVISORY SOFTWARE

Description	Part Number	List Price
Intelligent Power Manager, Silver edition: support for 11–100 IP addresses - all series	66925	\$785
Intelligent Power Manager, Gold edition: support for unlimited IP addresses - all series	66926	\$3,811
Management-Pac 2–Network Management Systems - Pulsar series	66923	\$509
Intelligent Power Software Suite CD: Bundled free-of-charge with Eaton UPSs (contains: Intelligent Power Manager supervisory software, Intelligent Power Protector protection software, Personal Solution-Pac power management software for non-networked Pulsar series UPSs, LanSafe power management software)	103004871	

EATON POWER XPERT INSIGHT™

Description	Part Number	List Price
Power Xpert Insight		
PXI for up to 10 device connections	PXI-A	Call
PXI for up to 25 device connections	PXI-B	Call
PXI for up to 50 device connections	PXI-C	Call
PXI for up to 100 device connections	PXI-D	Call
PXI for up to 200 device connections	PXI-E	Call
Power Xpert Insight Device Count Upgrades		
PXI 10 to 25 Upgrade	PXI-A2B	Call
PXI 10 to 50 Upgrade	PXI-A2C	Call
PXI 10 to 100 Upgrade	PXI-A2D	Call
PXI 10 to 200 Upgrade	PXI-A2E	Call
PXI 25 to 50 Upgrade	PXI-B2C	Call
PXI 25 to 100 Upgrade	PXI-B2D	Call
PXI 25 to 200 Upgrade	PXI-B2E	Call
PXI 50 to 100 Upgrade	PXI-C2D	Call
PXI 50 to 200 Upgrade	PXI-C2E	Call
PXI 100 to 200 Upgrade	PXI-D2E	Call

EATON POWER SOFTWARE

Description	Part Number	List Price
Power Xpert Software Professional Edition		
Power Xpert Software Professional Edition	PXS-PRO	\$8,267
Power Xpert Software Professional Edition w/ 1 Day Startup*	PXS-PROn1S	\$13,639
Power Xpert Software Professional Edition w/ 2 Day Startup*	PXS-PROn2S	\$17,434
Power Xpert Software Professional Edition w/ 5 Day Startup*	PXS-PROn5S	\$28,865
Power Xpert Software Professional Edition & Power Xpert Reporting	PXS-PROnPXR	\$15,707
Power Xpert Software Enterprise Edition		
Power Xpert Software Enterprise Edition	PXS-ENT	\$16,535
Power Xpert Software Enterprise Edition w/ 1 Day Startup*	PXS-ENTn1S	\$21,080
Power Xpert Software Enterprise Edition w/ 2 Day Startup*	PXS-ENTn2S	\$24,875
Power Xpert Software Enterprise Edition w/ 5 Day Startup*	PXS-ENTn5S	\$36,307
Power Xpert Software Enterprise Edition & Power Xpert Reporting	PXS-ENTnPXR	\$23,562

*N/A = Not available for international sales, services are available in continental USA only.

POWER XPERT SOFTWARE ACCESSORIES

Description	Part Number	List Price
Environmental Monitoring Probe	116750224-001	\$304

The EMP requires connectivity through a communications card like the PXGX card to communicate with PXS

POWER XPERT REPORTING

Description	Part Number	List Price
Power Xpert Reporting - Single Source DB Connections *	PXR	Call
Power Xpert Reporting - up to 2 Source DB Connections *	PXR-2DB	Call
Power Xpert Reporting - up to 5 Source DB Connections *	PXR-5DB	Call
Power Xpert Reporting - up to 10 Source DB Connections *	PXR-10DB	Call
Power Xpert Reporting - up to 25 Source DB Connections *	PXR-25DB	Call
Power Xpert Reporting - up to 50 Source DB Connections *	PXR-50DB	Call

*Number of supported Source Database Connections to either Power Xpert Software or Foreseer

CONNECTIVITY

Connectivity Products

SOFTWARE COMPATIBILITY WITH UPS VIA USB OR SERIAL CABLE (PEER-TO-PEER)

	Powerware Series	Pulsar Series	Eaton BladeUPS
Protection and supervision software			
Intelligent Power Protector	x	x	x
Personal Solution-Pac		x	
Microsoft® Integrated Power Manager		x	
LanSafe	x	x	x

SOFTWARE AND CONNECTIVITY COMPATIBILITY WITH ETHERNET AND CONNECTIVITY CARD (NETWORK)

When purchasing additional software, make sure that it is compatible with your UPS's connectivity card.	Network Card-MS (Network-MS)	ConnectUPS-BD (116750222-001)	BestLink Web/SNMP Adapter (116750225-001)	Network and MODBUS Card-MS (MODBUS-MS)	X-Slot® Modbus Card (103005425-5591)	Power Xpert Gateway UPS (PXGXUPS)	Relay card-MS (Relay-MS)	Relay Interface Card-X-Slot (1018460)	Relay Interface Card-BestDock (1014018)
Supervision software—monitors and manages UPSs and connected devices									
Intelligent Power Manager	x	x		x	x	x			
Foreseer and Power Xpert Software - Professional/Enterprise	x	x		x	x	x			
LanSafe		x			x				
Protection software—graceful shutdown of OSs on servers and PCs									
Intelligent Power Protector	x	x		x	x	x			
NetWatch	x	x		x	x	x			
Network Shutdown Module	x			x					
Power Xpert Software - Professional and Enterprise Editions	x	x			x	x			
LanSafe		x							
Enterprise Power Monitoring Software									
Power Xpert Insight	x	x			x	x			
Power Xpert Software - Professional and Enterprise Editions	x	x			x	x			
Foreseer Services	x	x		x	x	x			
Connectivity compatibility									
3S, 5110, 5115 tower, 5S and 5SC									
5115 RM					x	x		x	
5125					x	x		x	
Evolution	x						x		
5P/5PX	x						x		
EX	x			x			x		
9130	x	x		x					x
9PX	x			x			x		
9155						x		x	
9170+		x							x
FERRUPS			x						
BladeUPS					x	x		x	
9315					x	x		x	
9355					x	x		x	
93E	x			x			x		
9390					x	x		x	
9390IT					x	x		x	
9395					x	x		x	

*Also compatible with the following high voltage series: Ellipse, Ellipse Max, Protection Center, Protection Station

CONNECTIVITY *(continued)*

Connectivity Options

WEB/SNMP PRODUCTS

Description	Part Number	List Price
ConnectUPS-BD Web/SNMP Card (for use with 9130 and 9170+)	116750222-001	\$462
ConnectUPS-E Web/SNMP Adapter (for use with legacy Powerware 9150 and 9305 UPSs)	116750223-001	\$680
Ethernet SNMP/HTTP Adapter (for use with FERRUPS)	116750225-001	\$481
Network Card-MS Web/SNMP (Replaces Part#1030068261/66102) (for use with Evolution, 5130, 5P, 5PX, 9130, 9135, EX RT, 93E)	Network-MS	\$385
Power Xpert Gateway PDP Card (Web/SNMP/Modbus TCP)	103008064-5591	\$1,310
Power Xpert Gateway UPS Card (for use with 9x55 and BladeUPS 9315,9390,9395)	103007974-5591	\$621

INTEGRATION PRODUCTS (EXPANDED CONNECTIVITY & OPEN SYSTEM INTEGRATION) - POWERWARE AND EATON SERIES

Description	Part Number	List Price
Expansion Chassis - Provides additional X-Slots via RS-232 DB9 (Includes Modbus Card)	05147063	\$2,285
Modbus Card-X-Slot	103005425-5591	\$911
Network and MODBUS Card-MS (for use with 5PX, MX, EX RT, 93E, 9130)	MODBUS-MS	\$462

CONNECTIVITY AND ENVIRONMENTAL ACCESSORIES

Description	Part Number	List Price
Environmental Monitoring Probe	116750224-001	\$304

RELAY INTERFACE/REMOTE MONITORING PRODUCTS

Description	Part Number	List Price
Relay Card-MS (new card name and part number replacing style #s 103006828 and 66104)	103006828/RELAY-MS	\$138
Relay Interface Card-BD (AS/400 Compatible)	1014018	\$202
Relay Interface Card-X-Slot (AS/400 Compatible) (for use with 5115,5125,9140,9155,BladeUPS,9315,9390,9395)	1018460	\$202
Cable 25 ft (compatible with AS/400 model 9406; for use with 1014018 or 1018460)	103004349-5501	\$86
Cable 75 ft (compatible with AS/400 model 9406; for use with 1014018 or 1018460)	103004347-5501	\$144
Industrial Relay and Display Drive Card X-Slot. (for use with 9155, 9355, BladeUPS,9390) Provides (4) Form-C Relay contacts (5A @ 250V) for UPS integration into security and alarm systems. Also provides signal information for the Remote Monitor Display Panel (103002687-001)	103003055	\$462
Splitter Cable 3 ft (DB15 male to dual DB15 female; for use with 1014018 or 1018460)	124102028-001	\$218
Relay Card - Contacts (DB25) & RS232 (DB9) - X-Slot. Includes 30 ft cable DB25 - DB9. (compatible with AS/400 model 9406)	103004741-5591	\$433
Cable 10 ft DB9 - DB9 (compatible with AS/400 model 9406; for use with 103006828)	66033	\$138

REMOTE MONITORING PANELS (FOR MONITORING OF UPS STATUS) - POWERWARE SERIES

Description	Part Number	List Price
Remote Monitor Display Panel (Requires Industrial Relay and Display Drive Card Part Number 103003055)	103002687-001	\$462

INTEGRATION SOFTWARE - POWERWARE AND EATON SERIES

Description	Web Download	List Price
IBM Director Snap-in: Network Management System (NMS) software	powerquality.eaton.com	Free-of-charge

SURGE PROTECTION

PSPD SERIES

Eaton's PSPD series of surge protection devices ensure that critical equipment is protected with the safest, most reliable and most advanced UL 1449 3rd Edition certified surge protectors. The array of features, options, and configurations ensures there is a unit for all electrical applications, including service entrances, data centers, critical distribution switchboards and panelboards, and PDU's and RPP's.

- Common voltages and configurations as well as a variety of surge current capacity ratings from 50 through 400 kA provide application flexibility.
- UL 1449 3rd Edition recognized component for the United States and Canada, covered by Underwriters Laboratories certification and follow-up service.
- Utilizes self-protected protected metal oxide varistor (MOV) technology, which provides both high energy capacity and fail-safe operation.
- Side mount units offer factory-sealed assembly, which prevents arc flash and shock hazards.
- Standard units include EMI/RFI filtering to provide effective protection for sensitive electronic loads.
- Side mount units contain no replaceable parts or items that require periodic maintenance thus reducing maintenance costs.



Description	Part Number	Dimensions			List Price	Part Number	Dimensions			List Price
		(H x W x D, inches)	Weight (lb)				(H x W x D, inches)	Weight (lb)		
PSPD 050 (50 kA/phase surge rating)										
Standard with Surge Counter Diagnostics	'K' Option - No Integral Disconnect					'M' Option - Integral Disconnect				
208/120 Wye Three-phase (4W + G)	PSPD050208Y3K	10.5 x 7.5 x 3.5	7.0	Call	PSPD050208Y3M	11.0 x 11.5 x 6.0	14.0	Call		
120/240 Single Split-phase (3W + G)	PSPD050240S3K	10.5 x 7.5 x 3.5	7.0	Call	PSPD050240S3M	11.0 x 11.5 x 6.0	14.0	Call		
240 Delta (3W + G)	PSPD050240D3K	10.5 x 7.5 x 3.5	7.0	Call	PSPD050240D3M	11.0 x 11.5 x 6.0	14.0	Call		
480 Delta (3W + G)	PSPD050480D3K	10.5 x 7.5 x 3.5	7.0	Call	PSPD050480D3M	11.0 x 11.5 x 6.0	14.0	Call		
400/230 Wye Three-phase (4W + G)	PSPD050400Y3K	10.5 x 7.5 x 3.5	7.0	Call	PSPD050400Y3M	11.0 x 11.5 x 6.0	14.0	Call		
480/277 Wye Three-phase (4W + G)	PSPD050480Y3K	10.5 x 7.5 x 3.5	7.0	Call	PSPD050480Y3M	11.0 x 11.5 x 6.0	14.0	Call		
Standard Diagnostics	'K' Option - No Integral Disconnect					'M' Option - Integral Disconnect				
208/120 Wye Three-phase (4W + G)	PSPD050208Y2K	10.5 x 7.5 x 3.5	7.0	Call	PSPD050208Y2M	11.0 x 11.5 x 6.0	14.0	Call		
120/240 Single Split-phase (3W + G)	PSPD050240S2K	10.5 x 7.5 x 3.5	7.0	Call	PSPD050240S2M	11.0 x 11.5 x 6.0	14.0	Call		
240 Delta (3W + G)	PSPD050240D2K	10.5 x 7.5 x 3.5	7.0	Call	PSPD050240D2M	11.0 x 11.5 x 6.0	14.0	Call		
480 Delta (3W + G)	PSPD050480D2K	10.5 x 7.5 x 3.5	7.0	Call	PSPD050480D2M	11.0 x 11.5 x 6.0	14.0	Call		
400/230 Wye Three-phase (4W + G)	PSPD050400Y2K	10.5 x 7.5 x 3.5	7.0	Call	PSPD050400Y2M	11.0 x 11.5 x 6.0	14.0	Call		
480/277 Wye Three-phase (4W + G)	PSPD050480Y2K	10.5 x 7.5 x 3.5	7.0	Call	PSPD050480Y2M	11.0 x 11.5 x 6.0	14.0	Call		
Basic Diagnostics	'K' Option - No Integral Disconnect					'M' Option - Integral Disconnect				
208/120 Wye Three-phase (4W + G)	PSPD050208Y1K	10.5 x 7.5 x 3.5	7.0	Call	PSPD050208Y1M	11.0 x 11.5 x 6.0	14.0	Call		
120/240 Single Split-phase (3W + G)	PSPD050240S1K	10.5 x 7.5 x 3.5	7.0	Call	PSPD050240S1M	11.0 x 11.5 x 6.0	14.0	Call		
240 Delta (3W + G)	PSPD050240D1K	10.5 x 7.5 x 3.5	7.0	Call	PSPD050240D1M	11.0 x 11.5 x 6.0	14.0	Call		
480 Delta (3W + G)	PSPD050480D1K	10.5 x 7.5 x 3.5	7.0	Call	PSPD050480D1M	11.0 x 11.5 x 6.0	14.0	Call		
400/230 Wye Three-phase (4W + G)	PSPD050400Y1K	10.5 x 7.5 x 3.5	7.0	Call	PSPD050400Y1M	11.0 x 11.5 x 6.0	14.0	Call		
480/277 Wye Three-phase (4W + G)	PSPD050480Y1K	10.5 x 7.5 x 3.5	7.0	Call	PSPD050480Y1M	11.0 x 11.5 x 6.0	14.0	Call		
PSPD 080 (80 kA/phase surge rating)										
Standard with Surge Counter Diagnostics	'K' Option - No Integral Disconnect					'M' Option - Integral Disconnect				
208/120 Wye Three-phase (4W + G)	PSPD080208Y3K	10.5 x 7.5 x 3.5	7.0	Call	PSPD080208Y3M	11.0 x 11.5 x 6.0	14.0	Call		
120/240 Single Split-phase (3W + G)	PSPD080240S3K	10.5 x 7.5 x 3.5	7.0	Call	PSPD080240S3M	11.0 x 11.5 x 6.0	14.0	Call		
240 Delta (3W + G)	PSPD080240D3K	10.5 x 7.5 x 3.5	7.0	Call	PSPD080240D3M	11.0 x 11.5 x 6.0	14.0	Call		
480 Delta (3W + G)	PSPD080480D3K	10.5 x 7.5 x 3.5	7.0	Call	PSPD080480D3M	11.0 x 11.5 x 6.0	14.0	Call		
400/230 Wye Three-phase (4W + G)	PSPD080400Y3K	10.5 x 7.5 x 3.5	7.0	Call	PSPD080400Y3M	11.0 x 11.5 x 6.0	14.0	Call		
480/277 Wye Three-phase (4W + G)	PSPD080480Y3K	10.5 x 7.5 x 3.5	7.0	Call	PSPD080480Y3M	11.0 x 11.5 x 6.0	14.0	Call		

SURGE PROTECTION (continued)

PSPD SERIES

Description	Part Number	Dimensions			List Price	Part Number	Dimensions			List Price
		(H x W x D, inches)	Weight (lb)				(H x W x D, inches)	Weight (lb)		
PSPD 080 (80 kA/phase surge rating) (continued)										
Standard Diagnostics	'K' Option - No Integral Disconnect					'M' Option - Integral Disconnect				
208/120 Wye Three-phase (4W + G)	PSPD080208Y2K	10.5 x 7.5 x 3.5	7.0		Call	PSPD080208Y2M	11.0 x 11.5 x 6.0	14.0		Call
120/240 Single Split-phase (3W + G)	PSPD080240S2K	10.5 x 7.5 x 3.5	7.0		Call	PSPD080240S2M	11.0 x 11.5 x 6.0	14.0		Call
240 Delta (3W + G)	PSPD080240D2K	10.5 x 7.5 x 3.5	7.0		Call	PSPD080240D2M	11.0 x 11.5 x 6.0	14.0		Call
480 Delta (3W + G)	PSPD080480D2K	10.5 x 7.5 x 3.5	7.0		Call	PSPD080480D2M	11.0 x 11.5 x 6.0	14.0		Call
400/230 Wye Three-phase (4W + G)	PSPD080400Y2K	10.5 x 7.5 x 3.5	7.0		Call	PSPD080400Y2M	11.0 x 11.5 x 6.0	14.0		Call
480/277 Wye Three-phase (4W + G)	PSPD080480Y2K	10.5 x 7.5 x 3.5	7.0		Call	PSPD080480Y2M	11.0 x 11.5 x 6.0	14.0		Call
Basic Diagnostics	'K' Option - No Integral Disconnect					'M' Option - Integral Disconnect				
208/120 Wye Three-phase (4W + G)	PSPD080208Y1K	10.5 x 7.5 x 3.5	7.0		Call	PSPD080208Y1M	11.0 x 11.5 x 6.0	14.0		Call
120/240 Single Split-phase (3W + G)	PSPD080240S1K	10.5 x 7.5 x 3.5	7.0		Call	PSPD080240S1M	11.0 x 11.5 x 6.0	14.0		Call
240 Delta (3W + G)	PSPD080240D1K	10.5 x 7.5 x 3.5	7.0		Call	PSPD080240D1M	11.0 x 11.5 x 6.0	14.0		Call
480 Delta (3W + G)	PSPD080480D1K	10.5 x 7.5 x 3.5	7.0		Call	PSPD080480D1M	11.0 x 11.5 x 6.0	14.0		Call
400/230 Wye Three-phase (4W + G)	PSPD080400Y1K	10.5 x 7.5 x 3.5	7.0		Call	PSPD080400Y1M	11.0 x 11.5 x 6.0	14.0		Call
480/277 Wye Three-phase (4W + G)	PSPD080480Y1K	10.5 x 7.5 x 3.5	7.0		Call	PSPD080480Y1M	11.0 x 11.5 x 6.0	14.0		Call
PSPD 100 (100 kA/phase surge rating)										
Standard with Surge Counter Diagnostics	'K' Option - No Integral Disconnect					'M' Option - Integral Disconnect				
208/120 Wye Three-phase (4W + G)	PSPD100208Y3K	10.5 x 7.5 x 3.5	7.0		Call	PSPD100208Y3M	11.0 x 11.5 x 6.0	14.0		Call
120/240 Single Split-phase (3W + G)	PSPD100240S3K	10.5 x 7.5 x 3.5	7.0		Call	PSPD100240S3M	11.0 x 11.5 x 6.0	14.0		Call
240 Delta (3W + G)	PSPD100240D3K	10.5 x 7.5 x 3.5	7.0		Call	PSPD100240D3M	11.0 x 11.5 x 6.0	14.0		Call
480 Delta (3W + G)	PSPD100480D3K	10.5 x 7.5 x 3.5	7.0		Call	PSPD100480D3M	11.0 x 11.5 x 6.0	14.0		Call
400/230 Wye Three-phase (4W + G)	PSPD100400Y3K	10.5 x 7.5 x 3.5	7.0		Call	PSPD100400Y3M	11.0 x 11.5 x 6.0	14.0		Call
480/277 Wye Three-phase (4W + G)	PSPD100480Y3K	10.5 x 7.5 x 3.5	7.0		Call	PSPD100480Y3M	11.0 x 11.5 x 6.0	14.0		Call
Standard Diagnostics	'K' Option - No Integral Disconnect					'M' Option - Integral Disconnect				
208/120 Wye Three-phase (4W + G)	PSPD100208Y2K	10.5 x 7.5 x 3.5	7.0		Call	PSPD100208Y2M	11.0 x 11.5 x 6.0	14.0		Call
120/240 Single Split-phase (3W + G)	PSPD100240S2K	10.5 x 7.5 x 3.5	7.0		Call	PSPD100240S2M	11.0 x 11.5 x 6.0	14.0		Call
240 Delta (3W + G)	PSPD100240D2K	10.5 x 7.5 x 3.5	7.0		Call	PSPD100240D2M	11.0 x 11.5 x 6.0	14.0		Call
480 Delta (3W + G)	PSPD100480D2K	10.5 x 7.5 x 3.5	7.0		Call	PSPD100480D2M	11.0 x 11.5 x 6.0	14.0		Call
400/230 Wye Three-phase (4W + G)	PSPD100400Y2K	10.5 x 7.5 x 3.5	7.0		Call	PSPD100400Y2M	11.0 x 11.5 x 6.0	14.0		Call
480/277 Wye Three-phase (4W + G)	PSPD100480Y2K	10.5 x 7.5 x 3.5	7.0		Call	PSPD100480Y2M	11.0 x 11.5 x 6.0	14.0		Call
Basic Diagnostics	'K' Option - No Integral Disconnect					'M' Option - Integral Disconnect				
208/120 Wye Three-phase (4W + G)	PSPD100208Y1K	10.5 x 7.5 x 3.5	7.0		Call	PSPD100208Y1M	11.0 x 11.5 x 6.0	14.0		Call
120/240 Single Split-phase (3W + G)	PSPD100240S1K	10.5 x 7.5 x 3.5	7.0		Call	PSPD100240S1M	11.0 x 11.5 x 6.0	14.0		Call
240 Delta (3W + G)	PSPD100240D1K	10.5 x 7.5 x 3.5	7.0		Call	PSPD100240D1M	11.0 x 11.5 x 6.0	14.0		Call
480 Delta (3W + G)	PSPD100480D1K	10.5 x 7.5 x 3.5	7.0		Call	PSPD100480D1M	11.0 x 11.5 x 6.0	14.0		Call
400/230 Wye Three-phase (4W + G)	PSPD100400Y1K	10.5 x 7.5 x 3.5	7.0		Call	PSPD100400Y1M	11.0 x 11.5 x 6.0	14.0		Call
480/277 Wye Three-phase (4W + G)	PSPD100480Y1K	10.5 x 7.5 x 3.5	7.0		Call	PSPD100480Y1M	11.0 x 11.5 x 6.0	14.0		Call
PSPD 120 (120 kA/phase surge rating)										
Standard with Surge Counter Diagnostics	'K' Option - No Integral Disconnect					'M' Option - Integral Disconnect				
208/120 Wye Three-phase (4W + G)	PSPD120208Y3K	10.5 x 7.5 x 3.5	7.0		Call	PSPD120208Y3M	11.0 x 11.5 x 6.0	14.0		Call
120/240 Single Split-phase (3W + G)	PSPD120240S3K	10.5 x 7.5 x 3.5	7.0		Call	PSPD120240S3M	11.0 x 11.5 x 6.0	14.0		Call
240 Delta (3W + G)	PSPD120240D3K	10.5 x 7.5 x 3.5	7.0		Call	PSPD120240D3M	11.0 x 11.5 x 6.0	14.0		Call
480 Delta (3W + G)	PSPD120480D3K	10.5 x 7.5 x 3.5	7.0		Call	PSPD120480D3M	11.0 x 11.5 x 6.0	14.0		Call
400/230 Wye Three-phase (4W + G)	PSPD120400Y3K	10.5 x 7.5 x 3.5	7.0		Call	PSPD120400Y3M	11.0 x 11.5 x 6.0	14.0		Call
480/277 Wye Three-phase (4W + G)	PSPD120480Y3K	10.5 x 7.5 x 3.5	7.0		Call	PSPD120480Y3M	11.0 x 11.5 x 6.0	14.0		Call

SURGE PROTECTION (continued)

PSPD SERIES

Description	Part Number	Dimensions			List Price	Part Number	Dimensions			List Price
		(H x W x D, inches)	Weight (lb)				(H x W x D, inches)	Weight (lb)		
PSPD 120 (120 kA/phase surge rating) (continued)										
Standard Diagnostics	'K' Option - No Integral Disconnect					'M' Option - Integral Disconnect				
208/120 Wye Three-phase (4W + G)	PSPD120208Y2K	10.5 x 7.5 x 3.5	7.0	Call		PSPD120208Y2M	11.0 x 11.5 x 6.0	14.0	Call	
120/240 Single Split-phase (3W + G)	PSPD120240S2K	10.5 x 7.5 x 3.5	7.0	Call		PSPD120240S2M	11.0 x 11.5 x 6.0	14.0	Call	
240 Delta (3W + G)	PSPD120240D2K	10.5 x 7.5 x 3.5	7.0	Call		PSPD120240D2M	11.0 x 11.5 x 6.0	14.0	Call	
480 Delta (3W + G)	PSPD120480D2K	10.5 x 7.5 x 3.5	7.0	Call		PSPD120480D2M	11.0 x 11.5 x 6.0	14.0	Call	
400/230 Wye Three-phase (4W + G)	PSPD120400Y2K	10.5 x 7.5 x 3.5	7.0	Call		PSPD120400Y2M	11.0 x 11.5 x 6.0	14.0	Call	
480/277 Wye Three-phase (4W + G)	PSPD120480Y2K	10.5 x 7.5 x 3.5	7.0	Call		PSPD120480Y2M	11.0 x 11.5 x 6.0	14.0	Call	
Basic Diagnostics	'K' Option - No Integral Disconnect					'M' Option - Integral Disconnect				
208/120 Wye Three-phase (4W + G)	PSPD120208Y1K	10.5 x 7.5 x 3.5	7.0	Call		PSPD120208Y1M	11.0 x 11.5 x 6.0	14.0	Call	
120/240 Single Split-phase (3W + G)	PSPD120240S1K	10.5 x 7.5 x 3.5	7.0	Call		PSPD120240S1M	11.0 x 11.5 x 6.0	14.0	Call	
240 Delta (3W + G)	PSPD120240D1K	10.5 x 7.5 x 3.5	7.0	Call		PSPD120240D1M	11.0 x 11.5 x 6.0	14.0	Call	
480 Delta (3W + G)	PSPD120480D1K	10.5 x 7.5 x 3.5	7.0	Call		PSPD120480D1M	11.0 x 11.5 x 6.0	14.0	Call	
400/230 Wye Three-phase (4W + G)	PSPD120400Y1K	10.5 x 7.5 x 3.5	7.0	Call		PSPD120400Y1M	11.0 x 11.5 x 6.0	14.0	Call	
480/277 Wye Three-phase (4W + G)	PSPD120480Y1K	10.5 x 7.5 x 3.5	7.0	Call		PSPD120480Y1M	11.0 x 11.5 x 6.0	14.0	Call	
PSPD 160 (160 kA/phase surge rating)										
Standard with Surge Counter Diagnostics	'K' Option - No Integral Disconnect					'M' Option - Integral Disconnect				
208/120 Wye Three-phase (4W + G)	PSPD160208Y3K	10.5 x 7.5 x 3.5	7.0	Call		PSPD160208Y3M	11.0 x 11.5 x 6.0	14.0	Call	
120/240 Single Split-phase (3W + G)	PSPD160240S3K	10.5 x 7.5 x 3.5	7.0	Call		PSPD160240S3M	11.0 x 11.5 x 6.0	14.0	Call	
240 Delta (3W + G)	PSPD160240D3K	10.5 x 7.5 x 3.5	7.0	Call		PSPD160240D3M	11.0 x 11.5 x 6.0	14.0	Call	
480 Delta (3W + G)	PSPD160480D3K	10.5 x 7.5 x 3.5	7.0	Call		PSPD160480D3M	11.0 x 11.5 x 6.0	14.0	Call	
400/230 Wye Three-phase (4W + G)	PSPD160400Y3K	10.5 x 7.5 x 3.5	7.0	Call		PSPD160400Y3M	11.0 x 11.5 x 6.0	14.0	Call	
480/277 Wye Three-phase (4W + G)	PSPD160480Y3K	10.5 x 7.5 x 3.5	7.0	Call		PSPD160480Y3M	11.0 x 11.5 x 6.0	14.0	Call	
Standard Diagnostics	'K' Option - No Integral Disconnect					'M' Option - Integral Disconnect				
208/120 Wye Three-phase (4W + G)	PSPD160208Y2K	10.5 x 7.5 x 3.5	7.0	Call		PSPD160208Y2M	11.0 x 11.5 x 6.0	14.0	Call	
120/240 Single Split-phase (3W + G)	PSPD160240S2K	10.5 x 7.5 x 3.5	7.0	Call		PSPD160240S2M	11.0 x 11.5 x 6.0	14.0	Call	
240 Delta (3W + G)	PSPD160240D2K	10.5 x 7.5 x 3.5	7.0	Call		PSPD160240D2M	11.0 x 11.5 x 6.0	14.0	Call	
480 Delta (3W + G)	PSPD160480D2K	10.5 x 7.5 x 3.5	7.0	Call		PSPD160480D2M	11.0 x 11.5 x 6.0	14.0	Call	
400/230 Wye Three-phase (4W + G)	PSPD160400Y2K	10.5 x 7.5 x 3.5	7.0	Call		PSPD160400Y2M	11.0 x 11.5 x 6.0	14.0	Call	
480/277 Wye Three-phase (4W + G)	PSPD160480Y2K	10.5 x 7.5 x 3.5	7.0	Call		PSPD160480Y2M	11.0 x 11.5 x 6.0	14.0	Call	
Basic Diagnostics	'K' Option - No Integral Disconnect					'M' Option - Integral Disconnect				
208/120 Wye Three-phase (4W + G)	PSPD160208Y1K	10.5 x 7.5 x 3.5	7.0	Call		PSPD160208Y1M	11.0 x 11.5 x 6.0	14.0	Call	
120/240 Single Split-phase (3W + G)	PSPD160240S1K	10.5 x 7.5 x 3.5	7.0	Call		PSPD160240S1M	11.0 x 11.5 x 6.0	14.0	Call	
240 Delta (3W + G)	PSPD160240D1K	10.5 x 7.5 x 3.5	7.0	Call		PSPD160240D1M	11.0 x 11.5 x 6.0	14.0	Call	
480 Delta (3W + G)	PSPD160480D1K	10.5 x 7.5 x 3.5	7.0	Call		PSPD160480D1M	11.0 x 11.5 x 6.0	14.0	Call	
400/230 Wye Three-phase (4W + G)	PSPD160400Y1K	10.5 x 7.5 x 3.5	7.0	Call		PSPD160400Y1M	11.0 x 11.5 x 6.0	14.0	Call	
480/277 Wye Three-phase (4W + G)	PSPD160480Y1K	10.5 x 7.5 x 3.5	7.0	Call		PSPD160480Y1M	11.0 x 11.5 x 6.0	14.0	Call	
PSPD 200 (200 kA/phase surge rating)										
Standard with Surge Counter Diagnostics	'K' Option - No Integral Disconnect					'M' Option - Integral Disconnect				
208/120 Wye Three-phase (4W + G)	PSPD200208Y3K	10.5 x 7.5 x 3.5	7.0	Call		PSPD200208Y3M	11.0 x 11.5 x 6.0	14.0	Call	
120/240 Single Split-phase (3W + G)	PSPD200240S3K	10.5 x 7.5 x 3.5	7.0	Call		PSPD200240S3M	11.0 x 11.5 x 6.0	14.0	Call	
240 Delta (3W + G)	PSPD200240D3K	10.5 x 7.5 x 3.5	7.0	Call		PSPD200240D3M	11.0 x 11.5 x 6.0	14.0	Call	
480 Delta (3W + G)	PSPD200480D3K	10.5 x 7.5 x 3.5	7.0	Call		PSPD200480D3M	11.0 x 11.5 x 6.0	14.0	Call	
400/230 Wye Three-phase (4W + G)	PSPD200400Y3K	10.5 x 7.5 x 3.5	7.0	Call		PSPD200400Y3M	11.0 x 11.5 x 6.0	14.0	Call	
480/277 Wye Three-phase (4W + G)	PSPD200480Y3K	10.5 x 7.5 x 3.5	7.0	Call		PSPD200480Y3M	11.0 x 11.5 x 6.0	14.0	Call	

SURGE PROTECTION (continued)

PSPD SERIES

Description	Part Number	Dimensions (H x W x D, inches)	Weight (lb)	List Price	Part Number	Dimensions (H x W x D, inches)	Weight (lb)	List Price
PSPD 200 (200 kA/phase surge rating) (continued)								
Standard Diagnostics	'K' Option - No Integral Disconnect				'M' Option - Integral Disconnect			
208/120 Wye Three-phase (4W + G)	PSPD200208Y2K	10.5 x 7.5 x 3.5	7.0	Call	PSPD200208Y2M	11.0 x 11.5 x 6.0	14.0	Call
120/240 Single Split-phase (3W + G)	PSPD200240S2K	10.5 x 7.5 x 3.5	7.0	Call	PSPD200240S2M	11.0 x 11.5 x 6.0	14.0	Call
240 Delta (3W + G)	PSPD200240D2K	10.5 x 7.5 x 3.5	7.0	Call	PSPD200240D2M	11.0 x 11.5 x 6.0	14.0	Call
480 Delta (3W + G)	PSPD200480D2K	10.5 x 7.5 x 3.5	7.0	Call	PSPD200480D2M	11.0 x 11.5 x 6.0	14.0	Call
400/230 Wye Three-phase (4W + G)	PSPD200400Y2K	10.5 x 7.5 x 3.5	7.0	Call	PSPD200400Y2M	11.0 x 11.5 x 6.0	14.0	Call
480/277 Wye Three-phase (4W + G)	PSPD200480Y2K	10.5 x 7.5 x 3.5	7.0	Call	PSPD200480Y2M	11.0 x 11.5 x 6.0	14.0	Call
Basic Diagnostics	'K' Option - No Integral Disconnect				'M' Option - Integral Disconnect			
208/120 Wye Three-phase (4W + G)	PSPD200208Y1K	10.5 x 7.5 x 3.5	7.0	Call	PSPD200208Y1M	11.0 x 11.5 x 6.0	14.0	Call
120/240 Single Split-phase (3W + G)	PSPD200240S1K	10.5 x 7.5 x 3.5	7.0	Call	PSPD200240S1M	11.0 x 11.5 x 6.0	14.0	Call
240 Delta (3W + G)	PSPD200240D1K	10.5 x 7.5 x 3.5	7.0	Call	PSPD200240D1M	11.0 x 11.5 x 6.0	14.0	Call
480 Delta (3W + G)	PSPD200480D1K	10.5 x 7.5 x 3.5	7.0	Call	PSPD200480D1M	11.0 x 11.5 x 6.0	14.0	Call
400/230 Wye Three-phase (4W + G)	PSPD200400Y1K	10.5 x 7.5 x 3.5	7.0	Call	PSPD200400Y1M	11.0 x 11.5 x 6.0	14.0	Call
480/277 Wye Three-phase (4W + G)	PSPD200480Y1K	10.5 x 7.5 x 3.5	7.0	Call	PSPD200480Y1M	11.0 x 11.5 x 6.0	14.0	Call
PSPD 250 (250 kA/phase surge rating)								
Standard with Surge Counter Diagnostics	'K' Option - No Integral Disconnect				'M' Option - Integral Disconnect			
208/120 Wye Three-phase (4W + G)	PSPD250208Y3K	10.5 x 7.5 x 6.0	11.5	Call	PSPD250208Y3M	11.0 x 11.5 x 6.0	16.5	Call
120/240 Single Split-phase (3W + G)	PSPD250240S3K	10.5 x 7.5 x 6.0	11.5	Call	PSPD250240S3M	11.0 x 11.5 x 6.0	16.5	Call
240 Delta (3W + G)	PSPD250240D3K	10.5 x 7.5 x 6.0	11.5	Call	PSPD250240D3M	11.0 x 11.5 x 6.0	16.5	Call
480 Delta (3W + G)	PSPD250480D3K	10.5 x 7.5 x 6.0	11.5	Call	PSPD250480D3M	11.0 x 11.5 x 6.0	16.5	Call
400/230 Wye Three-phase (4W + G)	PSPD250400Y3K	10.5 x 7.5 x 6.0	11.5	Call	PSPD250400Y3M	11.0 x 11.5 x 6.0	16.5	Call
480/277 Wye Three-phase (4W + G)	PSPD250480Y3K	10.5 x 7.5 x 6.0	11.5	Call	PSPD250480Y3M	11.0 x 11.5 x 6.0	16.5	Call
Standard Diagnostics	'K' Option - No Integral Disconnect				'M' Option - Integral Disconnect			
208/120 Wye Three-phase (4W + G)	PSPD250208Y2K	10.5 x 7.5 x 6.0	11.5	Call	PSPD250208Y2M	11.0 x 11.5 x 6.0	16.5	Call
120/240 Single Split-phase (3W + G)	PSPD250240S2K	10.5 x 7.5 x 6.0	11.5	Call	PSPD250240S2M	11.0 x 11.5 x 6.0	16.5	Call
240 Delta (3W + G)	PSPD250240D2K	10.5 x 7.5 x 6.0	11.5	Call	PSPD250240D2M	11.0 x 11.5 x 6.0	16.5	Call
480 Delta (3W + G)	PSPD250480D2K	10.5 x 7.5 x 6.0	11.5	Call	PSPD250480D2M	11.0 x 11.5 x 6.0	16.5	Call
400/230 Wye Three-phase (4W + G)	PSPD250400Y2K	10.5 x 7.5 x 6.0	11.5	Call	PSPD250400Y2M	11.0 x 11.5 x 6.0	16.5	Call
480/277 Wye Three-phase (4W + G)	PSPD250480Y2K	10.5 x 7.5 x 6.0	11.5	Call	PSPD250480Y2M	11.0 x 11.5 x 6.0	16.5	Call
Basic Diagnostics	'K' Option - No Integral Disconnect				'M' Option - Integral Disconnect			
208/120 Wye Three-phase (4W + G)	PSPD250208Y1K	10.5 x 7.5 x 6.0	11.5	Call	PSPD250208Y1M	11.0 x 11.5 x 6.0	16.5	Call
120/240 Single Split-phase (3W + G)	PSPD250240S1K	10.5 x 7.5 x 6.0	11.5	Call	PSPD250240S1M	11.0 x 11.5 x 6.0	16.5	Call
240 Delta (3W + G)	PSPD250240D1K	10.5 x 7.5 x 6.0	11.5	Call	PSPD250240D1M	11.0 x 11.5 x 6.0	16.5	Call
480 Delta (3W + G)	PSPD250480D1K	10.5 x 7.5 x 6.0	11.5	Call	PSPD250480D1M	11.0 x 11.5 x 6.0	16.5	Call
400/230 Wye Three-phase (4W + G)	PSPD250400Y1K	10.5 x 7.5 x 6.0	11.5	Call	PSPD250400Y1M	11.0 x 11.5 x 6.0	16.5	Call
480/277 Wye Three-phase (4W + G)	PSPD250480Y1K	10.5 x 7.5 x 6.0	11.5	Call	PSPD250480Y1M	11.0 x 11.5 x 6.0	16.5	Call
PSPD 300 (300 kA/phase surge rating)								
Standard with Surge Counter Diagnostics	'K' Option - No Integral Disconnect				'M' Option - Integral Disconnect			
208/120 Wye Three-phase (4W + G)	PSPD300208Y3K	10.5 x 7.5 x 6.0	11.5	Call	PSPD300208Y3M	11.0 x 11.5 x 6.0	16.5	Call
120/240 Single Split-phase (3W + G)	PSPD300240S3K	10.5 x 7.5 x 6.0	11.5	Call	PSPD300240S3M	11.0 x 11.5 x 6.0	16.5	Call
240 Delta (3W + G)	PSPD300240D3K	10.5 x 7.5 x 6.0	11.5	Call	PSPD300240D3M	11.0 x 11.5 x 6.0	16.5	Call
480 Delta (3W + G)	PSPD300480D3K	10.5 x 7.5 x 6.0	11.5	Call	PSPD300480D3M	11.0 x 11.5 x 6.0	16.5	Call
400/230 Wye Three-phase (4W + G)	PSPD300400Y3K	10.5 x 7.5 x 6.0	11.5	Call	PSPD300400Y3M	11.0 x 11.5 x 6.0	16.5	Call
480/277 Wye Three-phase (4W + G)	PSPD300480Y3K	10.5 x 7.5 x 6.0	11.5	Call	PSPD300480Y3M	11.0 x 11.5 x 6.0	16.5	Call

SURGE PROTECTION (continued)

PSPD SERIES

Description	Part Number	Dimensions (H x W x D, inches)	Weight (lb)	List Price	Part Number	Dimensions (H x W x D, inches)	Weight (lb)	List Price
PSPD 300 (300 kA/phase surge rating) (continued)								
Standard Diagnostics	'K' Option - No Integral Disconnect				'M' Option - Integral Disconnect			
208/120 Wye Three-phase (4W + G)	PSPD300208Y2K	10.5 x 7.5 x 6.0	11.5	Call	PSPD300208Y2M	11.0 x 11.5 x 6.0	16.5	Call
120/240 Single Split-phase (3W + G)	PSPD300240S2K	10.5 x 7.5 x 6.0	11.5	Call	PSPD300240S2M	11.0 x 11.5 x 6.0	16.5	Call
240 Delta (3W + G)	PSPD300240D2K	10.5 x 7.5 x 6.0	11.5	Call	PSPD300240D2M	11.0 x 11.5 x 6.0	16.5	Call
480 Delta (3W + G)	PSPD300480D2K	10.5 x 7.5 x 6.0	11.5	Call	PSPD300480D2M	11.0 x 11.5 x 6.0	16.5	Call
400/230 Wye Three-phase (4W + G)	PSPD300400Y2K	10.5 x 7.5 x 6.0	11.5	Call	PSPD300400Y2M	11.0 x 11.5 x 6.0	16.5	Call
480/277 Wye Three-phase (4W + G)	PSPD300480Y2K	10.5 x 7.5 x 6.0	11.5	Call	PSPD300480Y2M	11.0 x 11.5 x 6.0	16.5	Call
Basic Diagnostics	'K' Option - No Integral Disconnect				'M' Option - Integral Disconnect			
208/120 Wye Three-phase (4W + G)	PSPD300208Y1K	10.5 x 7.5 x 6.0	11.5	Call	PSPD300208Y1M	11.0 x 11.5 x 6.0	16.5	Call
120/240 Single Split-phase (3W + G)	PSPD300240S1K	10.5 x 7.5 x 6.0	11.5	Call	PSPD300240S1M	11.0 x 11.5 x 6.0	16.5	Call
240 Delta (3W + G)	PSPD300240D1K	10.5 x 7.5 x 6.0	11.5	Call	PSPD300240D1M	11.0 x 11.5 x 6.0	16.5	Call
480 Delta (3W + G)	PSPD300480D1K	10.5 x 7.5 x 6.0	11.5	Call	PSPD300480D1M	11.0 x 11.5 x 6.0	16.5	Call
400/230 Wye Three-phase (4W + G)	PSPD300400Y1K	10.5 x 7.5 x 6.0	11.5	Call	PSPD300400Y1M	11.0 x 11.5 x 6.0	16.5	Call
480/277 Wye Three-phase (4W + G)	PSPD300480Y1K	10.5 x 7.5 x 6.0	11.5	Call	PSPD300480Y1M	11.0 x 11.5 x 6.0	16.5	Call
PSPD 400 (400 kA/phase surge rating)								
Standard with Surge Counter Diagnostics	'K' Option - No Integral Disconnect				'M' Option - Integral Disconnect			
208/120 Wye Three-phase (4W + G)	PSPD400208Y3K	10.5 x 7.5 x 6.0	11.5	Call	PSPD400208Y3M	11.0 x 11.5 x 6.0	16.5	Call
120/240 Single Split-phase (3W + G)	PSPD400240S3K	10.5 x 7.5 x 6.0	11.5	Call	PSPD400240S3M	11.0 x 11.5 x 6.0	16.5	Call
240 Delta (3W + G)	PSPD400240D3K	10.5 x 7.5 x 6.0	11.5	Call	PSPD400240D3M	11.0 x 11.5 x 6.0	16.5	Call
480 Delta (3W + G)	PSPD400480D3K	10.5 x 7.5 x 6.0	11.5	Call	PSPD400480D3M	11.0 x 11.5 x 6.0	16.5	Call
400/230 Wye Three-phase (4W + G)	PSPD400400Y3K	10.5 x 7.5 x 6.0	11.5	Call	PSPD400400Y3M	11.0 x 11.5 x 6.0	16.5	Call
480/277 Wye Three-phase (4W + G)	PSPD400480Y3K	10.5 x 7.5 x 6.0	11.5	Call	PSPD400480Y3M	11.0 x 11.5 x 6.0	16.5	Call
Standard Diagnostics	'K' Option - No Integral Disconnect				'M' Option - Integral Disconnect			
208/120 Wye Three-phase (4W + G)	PSPD400208Y2K	10.5 x 7.5 x 6.0	11.5	Call	PSPD400208Y2M	11.0 x 11.5 x 6.0	16.5	Call
120/240 Single Split-phase (3W + G)	PSPD400240S2K	10.5 x 7.5 x 6.0	11.5	Call	PSPD400240S2M	11.0 x 11.5 x 6.0	16.5	Call
240 Delta (3W + G)	PSPD400240D2K	10.5 x 7.5 x 6.0	11.5	Call	PSPD400240D2M	11.0 x 11.5 x 6.0	16.5	Call
480 Delta (3W + G)	PSPD400480D2K	10.5 x 7.5 x 6.0	11.5	Call	PSPD400480D2M	11.0 x 11.5 x 6.0	16.5	Call
400/230 Wye Three-phase (4W + G)	PSPD400400Y2K	10.5 x 7.5 x 6.0	11.5	Call	PSPD400400Y2M	11.0 x 11.5 x 6.0	16.5	Call
480/277 Wye Three-phase (4W + G)	PSPD400480Y2K	10.5 x 7.5 x 6.0	11.5	Call	PSPD400480Y2M	11.0 x 11.5 x 6.0	16.5	Call
Basic Diagnostics	'K' Option - No Integral Disconnect				'M' Option - Integral Disconnect			
208/120 Wye Three-phase (4W + G)	PSPD400208Y1K	10.5 x 7.5 x 6.0	11.5	Call	PSPD400208Y1M	11.0 x 11.5 x 6.0	16.5	Call
120/240 Single Split-phase (3W + G)	PSPD400240S1K	10.5 x 7.5 x 6.0	11.5	Call	PSPD400240S1M	11.0 x 11.5 x 6.0	16.5	Call
240 Delta (3W + G)	PSPD400240D1K	10.5 x 7.5 x 6.0	11.5	Call	PSPD400240D1M	11.0 x 11.5 x 6.0	16.5	Call
480 Delta (3W + G)	PSPD400480D1K	10.5 x 7.5 x 6.0	11.5	Call	PSPD400480D1M	11.0 x 11.5 x 6.0	16.5	Call
400/230 Wye Three-phase (4W + G)	PSPD400400Y1K	10.5 x 7.5 x 6.0	11.5	Call	PSPD400400Y1M	11.0 x 11.5 x 6.0	16.5	Call
480/277 Wye Three-phase (4W + G)	PSPD400480Y1K	10.5 x 7.5 x 6.0	11.5	Call	PSPD400480Y1M	11.0 x 11.5 x 6.0	16.5	Call

SURGE PROTECTION

PSPV SERIES

Eaton's PSPV series is a commercial grade and light industrial surge protection device that combines surge suppression components and EMI/RFI filtering to provide effective protection for sensitive electronic loads. Use of the PSPV can prevent costly downtime and equipment damage from surges (or transients) caused by lightning, utility grid switching, switching of external/internal inductive or capacitive loads and other sources.

- Surge Plane technology ensures reliability and performance by using a low impedance copper platform.
- Compact design enables close mounting to electrical distribution equipment.
- Status indicator lights let you easily monitor supply power, surge suppression component status, and fusing.
- Choose from 6 surge current ratings to meet a variety of application needs.
- UL 1449 3rd Edition certification.



Description	Voltage Rating	Part Number	Dimensions (H x W x D, inches)	Enclosure	Weight (lb)	List Price
PSPV 050 (50 kA/phase surge rating)	120/240 Split Phase (3W+G)	PSPV050240S2K	5.1 x 11.6 x 2.7	NEMA 1	5.0	Call
PSPV 050 (50 kA/phase surge rating)	240 Delta (3W+G)	PSPV050240D2K	5.1 x 11.6 x 2.7	NEMA 1	5.0	Call
PSPV 050 (50 kA/phase surge rating)	120/208 Wye (4W+G)	PSPV050208Y2K	5.1 x 11.6 x 2.7	NEMA 1	5.0	Call
PSPV 050 (50 kA/phase surge rating)	400 Delta (3W+G)	PSPV050480D2K	5.1 x 11.6 x 2.7	NEMA 1	5.0	Call
PSPV 050 (50 kA/phase surge rating)	277/480 Wye (4W+G)	PSPV050480Y2K	5.1 x 11.6 x 2.7	NEMA 1	5.0	Call
PSPV 050 (50 kA/phase surge rating)	400 Delta (3W+G)	PSPV050400D2K	5.1 x 11.6 x 2.7	NEMA 1	5.0	Call
PSPV 050 (50 kA/phase surge rating)	230/400 Wye (4W+G)	PSPV050400Y2K	5.1 x 11.6 x 2.7	NEMA 1	5.0	Call
PSPV 080 (80 kA/phase surge rating)	120/240 Split Phase (3W+G)	PSPV080240S2K	5.1 x 11.6 x 2.7	NEMA 1	5.5	Call
PSPV 080 (80 kA/phase surge rating)	240 Delta (3W+G)	PSPV080240D2K	5.1 x 11.6 x 2.7	NEMA 1	5.5	Call
PSPV 080 (80 kA/phase surge rating)	120/208 Wye (4W+G)	PSPV080208Y2K	5.1 x 11.6 x 2.7	NEMA 1	5.5	Call
PSPV 080 (80 kA/phase surge rating)	400 Delta (3W+G)	PSPV080480D2K	5.1 x 11.6 x 2.7	NEMA 1	5.5	Call
PSPV 080 (80 kA/phase surge rating)	277/480 Wye (4W+G)	PSPV080480Y2K	5.1 x 11.6 x 2.7	NEMA 1	5.5	Call
PSPV 080 (80 kA/phase surge rating)	400 Delta (3W+G)	PSPV080400D2K	5.1 x 11.6 x 2.7	NEMA 1	5.5	Call
PSPV 080 (80 kA/phase surge rating)	230/400 Wye (4W+G)	PSPV080400Y2K	5.1 x 11.6 x 2.7	NEMA 1	5.5	Call
PSPV 100 (100 kA/phase surge rating)	120/240 Split Phase (3W+G)	PSPV100240S2K	5.1 x 11.6 x 2.7	NEMA 1	6.0	Call
PSPV 100 (100 kA/phase surge rating)	240 Delta (3W+G)	PSPV100240D2K	5.1 x 11.6 x 2.7	NEMA 1	6.0	Call
PSPV 100 (100 kA/phase surge rating)	120/208 Wye (4W+G)	PSPV100208Y2K	5.1 x 11.6 x 2.7	NEMA 1	6.0	Call
PSPV 100 (100 kA/phase surge rating)	400 Delta (3W+G)	PSPV100480D2K	5.1 x 11.6 x 2.7	NEMA 1	6.0	Call
PSPV 100 (100 kA/phase surge rating)	277/480 Wye (4W+G)	PSPV100480Y2K	5.1 x 11.6 x 2.7	NEMA 1	6.0	Call
PSPV 100 (100 kA/phase surge rating)	400 Delta (3W+G)	PSPV100400D2K	5.1 x 11.6 x 2.7	NEMA 1	6.0	Call
PSPV 100 (100 kA/phase surge rating)	230/400 Wye (4W+G)	PSPV100400Y2K	5.1 x 11.6 x 2.7	NEMA 1	6.0	Call
PSPV 120 (120 kA/phase surge rating)	120/240 Split Phase (3W+G)	PSPV120240S2K	5.1 x 11.6 x 2.7	NEMA 1	6.0	Call
PSPV 120 (120 kA/phase surge rating)	240 Delta (3W+G)	PSPV120240D2K	5.1 x 11.6 x 2.7	NEMA 1	6.0	Call
PSPV 120 (120 kA/phase surge rating)	120/208 Wye (4W+G)	PSPV120208Y2K	5.1 x 11.6 x 2.7	NEMA 1	6.0	Call
PSPV 120 (120 kA/phase surge rating)	400 Delta (3W+G)	PSPV120480D2K	5.1 x 11.6 x 2.7	NEMA 1	6.0	Call
PSPV 120 (120 kA/phase surge rating)	277/480 Wye (4W+G)	PSPV120480Y2K	5.1 x 11.6 x 2.7	NEMA 1	6.0	Call
PSPV 120 (120 kA/phase surge rating)	400 Delta (3W+G)	PSPV120400D2K	5.1 x 11.6 x 2.7	NEMA 1	6.0	Call
PSPV 120 (120 kA/phase surge rating)	230/400 Wye (4W+G)	PSPV120400Y2K	5.1 x 11.6 x 2.7	NEMA 1	6.0	Call
PSPV 160 (160 kA/phase surge rating)	120/240 Split Phase (3W+G)	PSPV160240S2K	5.1 x 11.6 x 2.7	NEMA 1	6.5	Call
PSPV 160 (160 kA/phase surge rating)	240 Delta (3W+G)	PSPV160240D2K	5.1 x 11.6 x 2.7	NEMA 1	6.5	Call
PSPV 160 (160 kA/phase surge rating)	120/208 Wye (4W+G)	PSPV160208Y2K	5.1 x 11.6 x 2.7	NEMA 1	6.5	Call
PSPV 160 (160 kA/phase surge rating)	400 Delta (3W+G)	PSPV160480D2K	5.1 x 11.6 x 2.7	NEMA 1	6.5	Call
PSPV 160 (160 kA/phase surge rating)	277/480 Wye (4W+G)	PSPV160480Y2K	5.1 x 11.6 x 2.7	NEMA 1	6.5	Call
PSPV 160 (160 kA/phase surge rating)	400 Delta (3W+G)	PSPV160400D2K	5.1 x 11.6 x 2.7	NEMA 1	6.5	Call
PSPV 160 (160 kA/phase surge rating)	230/400 Wye (4W+G)	PSPV160400Y2K	5.1 x 11.6 x 2.7	NEMA 1	6.5	Call
PSPV 200 (200 kA/phase surge rating)	120/240 Split Phase (3W+G)	PSPV200240S2K	5.1 x 11.6 x 2.7	NEMA 1	7.0	Call
PSPV 200 (200 kA/phase surge rating)	240 Delta (3W+G)	PSPV200240D2K	5.1 x 11.6 x 2.7	NEMA 1	7.0	Call
PSPV 200 (200 kA/phase surge rating)	120/208 Wye (4W+G)	PSPV200208Y2K	5.1 x 11.6 x 2.7	NEMA 1	7.0	Call
PSPV 200 (200 kA/phase surge rating)	400 Delta (3W+G)	PSPV200480D2K	5.1 x 11.6 x 2.7	NEMA 1	7.0	Call
PSPV 200 (200 kA/phase surge rating)	277/480 Wye (4W+G)	PSPV200480Y2K	5.1 x 11.6 x 2.7	NEMA 1	7.0	Call
PSPV 200 (200 kA/phase surge rating)	400 Delta (3W+G)	PSPV200400D2K	5.1 x 11.6 x 2.7	NEMA 1	7.0	Call
PSPV 200 (200 kA/phase surge rating)	230/400 Wye (4W+G)	PSPV200400Y2K	5.1 x 11.6 x 2.7	NEMA 1	7.0	Call

SURGE PROTECTION

Surge Protection Devices (SPD)

SPD Type 1 CHSP Service Entrance Surge Protection — UL 1449 3rd Ed. Listed

- Commercial grade AC power protection
- Type 1 surge device for installation before or after the main service disconnect
- Convenient mounting options—universal fit to any manufacturer's equipment
- Clear, visible LED indication displaying status of the surge protector



SPD TYPE 1 CHSP

Catalog Number	Enclosure	Voltage	Phase	Frequency				Surge Current Capacity, Per		List Price
				(Hz)	MCOV ¹	VPR ²	I _n ³	SCCR ⁴	Phase Rating ⁵	
CHSPT1ULTRA	NEMA 4	100/200, 110/220, 120/240	Single	50/60	L-L 300, L-N 150	L-L 1000, L-N 600	20 kA	200 kA	50 kA	Call
CHSPT1MAX	NEMA 4	100/200, 110/220, 120/240	Single	50/60	L-L 300, L-N 150	L-L 1000, L-N 600	20 kA	200 kA	45 kA	Call
CHSPT1MICRO	NEMA 4	100/200, 110/220, 120/240	Single	50/60	L-L 300, L-N 150	L-L 1000, L-N 600	20 kA	200 kA	36 kA	Call
CHSPT1-208Y	NEMA 4	120/208	Three-phase wye	50/60	L-L 300, L-N 150	L-L 1000, L-N 600	20 kA	200 kA	50 kA	Call

Notes:

1. MCOV: Maximum Continuous Operating Voltage that may be applied to the device per mode.
2. VPR: Voltage Protection Rating is the measured limiting voltage after a surge event.
3. I_n: Nominal Discharge Current is the current that the device can withstand for 15 impulses.
4. SCCR: The amount of current the product can withstand under short-circuit conditions
5. Surge Current Capacity: The maximum one time surge current rating per phase

For warranty details, go to www.eaton.com/surgetrap

SPD Type 2 CHSP Service Entrance Surge Protection — UL 1449 3rd Ed.; cUL

- AC power protection
- Universally connects to any manufacturer's loadcenter (breaker box)
- Quick connect design—easy to mount telephone and cable protection modules
- LED status indication
- This product should be connected on the load side of the loadcenter main service disconnect through a dedicated circuit breaker (follow NEC Guidelines)



SPD TYPE 2 CHSP

Catalog Number	Enclosure	Voltage	Phase	Frequency				Surge Current Capacity, Per		List Price
				(Hz)	MCOV ¹	VPR ²	I _n ³	SCCR ⁴	Phase Rating ⁵	
CHSPT2ULTRA	NEMA 4	120/240 Vac rated line voltage	Single	60	150V L-N, 300V L-L	600V L-N, 1000V L-L, 800V N-G, 600V L-G	20 kA	22 kA	108 kA (L1-N 54 kA, L1-G 54 kA, L2-N 54 kA, L2-G 54 kA)	Call
CHSPT2MAX	NEMA 4	120/240 Vac rated line voltage	Single	60	150V L-N, 300V L-L	600V L-N, 1000V L-L, 800V N-G, 600V L-G	10 kA	22 kA	72 kA (L1-N 36 kA, L1-G 36 kA, L2-N 36 kA, L2-G 36 kA)	Call
CHSPT2MICRO	NEMA 4	120/240 Vac rated line voltage	Single	60	150V L-N, 300V L-L	600V L-N, 1000V L-L, 800V N-G, 600V L-G	5 kA	22 kA	36 kA (L1-N 18 kA, L1-G 18 kA, L2-N 18 kA, L2-G 18 kA)	Call

Notes:

1. MCOV: Maximum Continuous Operating Voltage that may be applied to the device per mode.
2. VPR: Voltage Protection Rating is the measured limiting voltage after a surge event.
3. I_n: Nominal Discharge Current is the current that the device can withstand for 15 impulses.
4. SCCR: The amount of current the product can withstand under short-circuit conditions
5. Surge Current Capacity: The maximum one time surge current rating per phase.

For warranty details, go to www.eaton.com/surgetrap

SURGE PROTECTION *(continued)*

Surge Protection Devices (SPD)

Accessories for CHSP Type 2 Service Entrance Protection

CHSP TYPE 2

Catalog Number	Description	Installation	Surge Current Capacity	DC Breakdown Voltage		List Price
CHSPCABLE	Quick Connect design—add additional telephone and AC protection modules; protects two quad shield cables	Indoor installation; or rain-tight when used with recommended Enclosure	10 kA per line	145V	–	Call
CHSPTELE	Quick Connect design—add additional AC and cable protection modules; protects four telephone lines, bi-directional	Indoor installation; or rain-tight when used with recommended Enclosure	20 kA per line	230V	Ring 90–120 Vac/ Tone 48–52 Vdc	Call
CHSPT23PACK	3-Pack: CHSPT2ULTRA+CHSPTELE+CHSPCABLE; Surge protection for AC power, telephone and cable—see individual product features	–	See individual product ratings	–	–	Call

SERVICES

Single-phase Service Plans Overview

SUMMARY OF EATON SERVICE PLANS FOR SINGLE-PHASE MODELS

Single-phase Service Plan Features	Factory Warranty	Extended Warranty-Depot	2 Year Onsite Warranty Upgrade	Flex (onsite)
Comprehensive coverage of the UPS and standard batteries	•	•	•	•
Telephone technical support	•	•	•	•
eNotify remote monitoring			0	0
Connectivity support	•	•	•	•
Expedited delivery of replacement parts, modules and batteries		•	•	•
Onsite startup		0	0	0
Onsite corrective maintenance			•	•
7x24 Next-day response			•	•
UPS preventive maintenance		0	0	0
8-hour response			0	0

• Included feature o Optional feature

1. Unit must be within 250 kilometers of Eaton established service location to qualify for next day response.

2. eNotify Remote Monitoring service requires compatible connectivity card and EMP, not included in Flex or Extended Warranty contract price. eNotify is not available for 3105, 5110, 5115 and FERRUPS.

3. Factory Warranty: Two-year Warranty for 3105, 3S, 5110, 5115, 5125, 5130, 5P, 5PX, 9130, 9135, 9PX, Evolution, Evolution S, EX, MX, EX RT, 9140, 9155, 9170+ and FERRUPS. Eaton 3105, 3S, 5110, 5115, 5125, 5130 and 5PX upgrade to 3-Year Warranty when registered online at www.eaton.com/pq/register.

SELECTING A SERVICE PLAN

Eaton single-phase UPSs come with warranty coverage that typically includes parts and labor for electronics, 7x24 Customer Reliability Center triage and 7x24 technical support access. But to extend the term of the base factory warranty and expedite service delivery, you should recommend a service plan. The best service plans are essentially offered in two categories:

1. Extended Warranty (recommended for UPSs below 5 kVA - return to factory for exchange)

When your customer notifies Eaton about a defective unit, Eaton ships a replacement unit overnight. Upon receipt of the new UPS, the customer returns the defective unit to Eaton via ground shipment. The freight for both units is paid by Eaton.

2. Onsite service and repair (recommended for UPSs 5 kVA and above - upgrade 2 year factory warranty for 7x24 next day or 8-hour response for up to 5 years of onsite coverage)

Onsite service is a standard 7x24, next day or 8-hour (based on availability) response level of coverage – for detailed information, visit www.eaton.com/upsservices. The following features can be added to onsite service to guarantee unparalleled UPS performance:

- Comprehensive coverage of the UPS and batteries; if external (EBM) batteries exist coverage for EBM's must be purchased
- Telephone technical support
- eNotify remote monitoring
- Connectivity support
- Expedited delivery of replacement parts, modules and batteries
- Onsite startup
- Onsite corrective maintenance
- Next-day 24-hour or 8-hour response
- Annual UPS and/or battery preventive maintenance

SERVICES

Single-phase Service Plans

EXTENDED WARRANTY - DEPOT EXCHANGE (CONCURRENT)

Style Number	Description	Range	Applicable UPS Models	List Price
3 & 5 Series 5-Year UPS Extended Warranties				
3SW5Y-0750UC	Ext Warranty-5YR UPS Adv Exchg, New Product	1 - 700	3S	\$25
5SW5Y-0950UC	Ext Warranty-5YR UPS Adv Exchg, New Product	1 - 950	5S, 5SC, 5110, 5115, 5P, 5PX, Evolution	\$69
5SW5Y-1400UC	Ext Warranty-5YR UPS Adv Exchg, New Product	951 - 1400	5S, 5SC, 5110, 5115, 5P, 5PX, Evolution	\$143
5SW5Y-1750UC	Ext Warranty-5YR UPS Adv Exchg, New Product	1401 - 1750	5S, 5SC, 5110, 5115, 5P, 5PX, Evolution	\$186
5SW5Y-2500UC	Ext Warranty-5YR UPS Adv Exchg, New Product	1751 - 2500	5110, 5115, 5P, 5PX, Evolution	\$388
5SW5Y-3000UC	Ext Warranty-5YR UPS Adv Exchg, New Product	2501 - 3000	5110, 5115, 5P, 5PX, Evolution	\$446
3 & 5 Series 5-Year EBM Extended Warranties				
5SW5Y-1750BC	Ext Warranty-5YR EBM Adv Exchg, New Product	1 - 1750	5PX, Evolution	\$454
5SW5Y-3000BC	Ext Warranty-5YR EBM Adv Exchg, New Product	1751 - 3000	5PX, Evolution	\$711
9 Series 3-Year & 5-Year UPS Extended Warranties				
9SW3Y-0700UC	Ext Warranty-3YR UPS Adv Exchg, New Product	1 - 700	9PX, 9130, FERRUPS non hard-wired, 9170+, EX	\$129
9SW3Y-1000UC	Ext Warranty-3YR UPS Adv Exchg, New Product	701 - 1000	9PX, 9130, FERRUPS non hard-wired, 9170+, EX	\$166
9SW3Y-1500UC	Ext Warranty-3YR UPS Adv Exchg, New Product	1001 - 1500	9PX, 9130, FERRUPS non hard-wired, 9170+, EX	\$213
9SW3Y-2200UC	Ext Warranty-3YR UPS Adv Exchg, New Product	1501 - 2000	9PX, 9130, FERRUPS non hard-wired, 9170+, EX	\$283
9SW3Y-2500UC	Ext Warranty-3YR UPS Adv Exchg, New Product	2001 - 2500	9PX, 9130, FERRUPS non hard-wired, 9170+, EX	\$376
9SW3Y-3000UC	Ext Warranty-3YR UPS Adv Exchg, New Product	2501 - 3000	9PX, 9130, FERRUPS non hard-wired, 9170+, EX	\$473
9SW3Y-6000UC	Ext Warranty-3YR UPS Adv Exchg, New Product	3001 - 6000	9PX, 9130, FERRUPS non hard-wired, 9170+, EX	\$725
9SW3Y-11000UC	Ext Warranty-3YR UPS Adv Exchg, New Product	6001 - 11000	9PX, 9130, FERRUPS non hard-wired, 9170+, EX	\$976
9SW3Y-18000UC	Ext Warranty-3YR UPS Adv Exchg, New Product	11001-18000	9PX, 9130, FERRUPS non hard-wired, 9170+, EX	\$1,395
9SW5Y-0700UC	Ext Warranty-5YR UPS Adv Exchg, New Product	1 - 700	9PX, 9130, FERRUPS non hard-wired, 9170+, EX	\$311
9SW5Y-1000UC	Ext Warranty-5YR UPS Adv Exchg, New Product	701 - 1000	9PX, 9130, FERRUPS non hard-wired, 9170+, EX	\$399
9SW5Y-1500UC	Ext Warranty-5YR UPS Adv Exchg, New Product	1001 - 1500	9PX, 9130, FERRUPS non hard-wired, 9170+, EX	\$510
9SW5Y-2200UC	Ext Warranty-5YR UPS Adv Exchg, New Product	1501 - 2000	9PX, 9130, FERRUPS non hard-wired, 9170+, EX	\$680
9SW5Y-2500UC	Ext Warranty-5YR UPS Adv Exchg, New Product	2001 - 2500	9PX, 9130, FERRUPS non hard-wired, 9170+, EX	\$903
9SW5Y-3000UC	Ext Warranty-5YR UPS Adv Exchg, New Product	2501 - 3000	9PX, 9130, FERRUPS non hard-wired, 9170+, EX	\$1,139
9SW5Y-6000UC	Ext Warranty-5YR UPS Adv Exchg, New Product	3001 - 6000	9PX, 9130, FERRUPS non hard-wired, 9170+, EX	\$1,742
9SW5Y-11000UC	Ext Warranty-5YR UPS Adv Exchg, New Product	6001 - 11000	9PX, 9130, FERRUPS non hard-wired, 9170+, EX	\$2,348
9SW5Y-18000UC	Ext Warranty-5YR UPS Adv Exchg, New Product	11001-18000	9PX, 9130, FERRUPS non hard-wired, 9170+, EX	\$2,980
9 Series 3-Year & 5-Year EBM Extended Warranties				
9SW3Y-3000BC	Ext Warranty-3YR EBM Adv Exchg, New Product	1 - 3000	9PX, 9130, FERRUPS non hard-wired, 9170+, EX	\$229
9SW3Y-18000BC	Ext Warranty-3YR EBM Adv Exchg, New Product	3001-18000	9PX, 9130, FERRUPS non hard-wired, 9170+, EX	\$460
9SW5Y-3000BC	Ext Warranty-5YR EBM Adv Exchg, New Product	1 - 3000	9PX, 9130, FERRUPS non hard-wired, 9170+, EX	\$574
9SW5Y-18000BC	Ext Warranty-5YR EBM Adv Exchg, New Product	3001-18000	9PX, 9130, FERRUPS non hard-wired, 9170+, EX	\$1,149
ePDU 5-Year Extended Warranties				
ESW5Y-0001-0400S	ePDU Build To Order, Specialty, 5-Year-Total Warranty (ePDU)	\$0 to \$400	All ePDU BtO, Specialty products based on list price	\$89
ESW5Y-0401-1000S	ePDU Build To Order, Specialty, 5-Year-Total Warranty (ePDU)	\$401 to \$1000	All ePDU BtO, Specialty products based on list price	\$222
ESW5Y-1001-2000S	ePDU Build To Order, Specialty, 5-Year-Total Warranty (ePDU)	\$1001 to \$2000	All ePDU BtO, Specialty products based on list price	\$443
ESW5Y-2001-5000S	ePDU Build To Order, Specialty, 5-Year-Total Warranty (ePDU)	\$2001 to \$5000	All ePDU BtO, Specialty products based on list price	\$1,107
ESW5Y-0001-0400C	ePDU Custom, 5-Year-Total Warranty (ePDU)	\$0 to \$400	All ePDU Custom products based on list price	\$89
ESW5Y-0401-1000C	ePDU Custom, 5-Year-Total Warranty (ePDU)	\$401 to \$1000	All ePDU Custom products based on list price	\$222
ESW5Y-1001-2000C	ePDU Custom, 5-Year-Total Warranty (ePDU)	\$1001 to \$2000	All ePDU Custom products based on list price	\$443
ESW5Y-2001-5000C	ePDU Custom, 5-Year-Total Warranty (ePDU)	\$2001 to \$5000	All ePDU Custom products based on list price	\$1,107
ESW5Y-0001-0400P	ePDU Top Sellers, 5-Year-Total Warranty (ePDU)	\$0 to \$400	All ePDU Top Seller products based on list price	\$71
ESW5Y-0401-1000P	ePDU Top Sellers, 5-Year-Total Warranty (ePDU)	\$401 to \$1000	All ePDU Top Seller products based on list price	\$177
ESW5Y-1001-2000P	ePDU Top Sellers, 5-Year-Total Warranty (ePDU)	\$1001 to \$2000	All ePDU Top Seller products based on list price	\$354
ESW5Y-2001-5000P	ePDU Top Sellers, 5-Year-Total Warranty (ePDU)	\$2001 to \$5000	All ePDU Top Seller products based on list price	\$886

SERVICES

Single-phase Service Plans (continued)

SCHEDULED SERVICES & ONSITE SERVICE PLANS (CONCURRENT)

Style Number	Description	Range	Applicable UPS Models	List Price
UPS & EBM Next Day Warranty Upgrade to Onsite Service Plan (Years 1-2)				
WUN72XXX-2509UC	2YR Onsite Upgrd To Factory Warr 7x24 Next Day Resp 1-2500VA	1-2500	5PX, Evolution	Call
WUN72XXX-6009UC	2YR Onsite Upgrd To Factory Warr 7x24 Next Day Resp 2.5-6kVA	2501-6000	5PX, Evolution, 9PX, 9130, FERRUPS, 9170+, EX	Call
WUN72XXX-11000UC	2YR Onsite Upgrd To Factory Warr 7x24 Next Day Resp 6-11kVA	6001-11000	9PX, 9130, FERRUPS, 9170+, EX	Call
WUN72XXX-18000UC	2YR Onsite Upgrd To Factory Warr 7x24 Next Day Resp 11-18kVA	11001-18000	9PX, 9130, FERRUPS, 9170+, EX	Call
WUN72XXX-7000BC	2YR Onsite Upgrd To Factory Warr 7x24 Next Day Resp 1-7000VA	1-7000	EBM's for 9PX, 9130, FERRUPS, 9170+ 3-6 Slot, EX	Call
WUN72XXX-11000BC	2YR Onsite Upgrd To Factory Warr 7x24 Next Day Resp 7-11kVA	7001-11000	EBM's for 9PX, 9130, FERRUPS, 9170+ 9 Slot, EX	Call
WUN72XXX-18000BC	2YR Onsite Upgrd To Factory Warr 7x24 Next Day Resp 11-18kVA	11001-18000	EBM's for 9PX, 9130, FERRUPS, 9170+ 12 Slot, EX	Call
UPS & EBM 8-Hour Warranty Upgrade to Onsite Service Plan (Years 1-2)				
WU872XXX-2509UC	2YR Onsite Upgrd To Factory Warr 7x24 8hr Resp 1-2500VA	1-2500	5PX, Evolution	Call
WU872XXX-6009UC	2YR Onsite Upgrd To Factory Warr 7x24 8hr Resp 2.5-6kVA	2501-6000	5PX, Evolution, 9PX, 9130, FERRUPS, 9170+, EX	Call
WU872XXX-11000UC	2YR Onsite Upgrd To Factory Warr 7x24 8hr Resp 6-11kVA	6001-11000	9PX, 9130, FERRUPS, 9170+, EX	Call
WU872XXX-18000UC	2YR Onsite Upgrd To Factory Warr 7x24 8hr Resp 11-18kVA	11001-18000	9PX, 9130, FERRUPS, 9170+, EX	Call
WU872XXX-7000BC	2YR Onsite Upgrd To Factory Warr 7x24 8hr Resp 1-7000VA	1-7000	EBM's for 9PX, 9130, FERRUPS, 9170+ 3-6 Slot, EX	Call
WU872XXX-11000BC	2YR Onsite Upgrd To Factory Warr 7x24 8hr Resp 7-11kVA	7001-11000	EBM's for 9PX, 9130, FERRUPS, 9170+ 9 Slot, EX	Call
WU872XXX-18000BC	2YR Onsite Upgrd To Factory Warr 7x24 8hr Resp 11-18kVA	11001-18000	EBM's for 9PX, 9130, FERRUPS, 9170+ 12 Slot, EX	Call
UPS & EBM Next Day Onsite Service Plans Post Warranty (Years 3-5)				
FLN71XXX-2509UC	1YR Flex UPS Onsite Service, 7x24 Next Day Response 2500VA	1-2500	5PX, Evolution	Call
FLN73XXX-2509UC	3YR Flex UPS Onsite Service, 7x24 Next Day Response 2500VA	1-2500	5PX, Evolution	Call
FLN71XXX-6009UC	1YR Flex UPS Onsite Service, 7x24 Next Day Response 2.5-6kVA	2501-6000	5PX, Evolution, 9PX, 9130, FERRUPS, 9170+, EX	Call
FLN73XXX-6009UC	3YR Flex UPS Onsite Service, 7x24 Next Day Response 2.5-6kVA	2501-6000	5PX, Evolution, 9PX, 9130, FERRUPS, 9170+, EX	Call
FLN71XXX-11000UC	1YR Flex UPS Onsite Service, 7x24 Next Day Response 6-11kVA	6001-11000	9PX, 9130, FERRUPS, 9170+, EX	Call
FLN73XXX-11000UC	3YR Flex UPS Onsite Service, 7x24 Next Day Response 6-11kVA	6001-11000	9PX, 9130, FERRUPS, 9170+, EX	Call
FLN71XXX-18000UC	1YR Flex UPS Onsite Service, 7x24 Next Day Response 11-18kVA	11001-18000	9PX, 9130, FERRUPS, 9170+, EX	Call
FLN73XXX-18000UC	3YR Flex UPS Onsite Service, 7x24 Next Day Response 11-18kVA	11001-18000	9PX, 9130, FERRUPS, 9170+, EX	Call
EBN71XXX-7000BC	1YR Flex EBM Onsite Service, 7x24 Next Day Response 1-7000VA	1-7000	EBM's for 9PX, 9130, FERRUPS, 9170+ 3-6 Slot, EX	Call
EBN73XXX-7000BC	3YR Flex EBM Onsite Service, 7x24 Next Day Response 1-7000VA	1-7000	EBM's for 9PX, 9130, FERRUPS, 9170+ 3-6 Slot, EX	Call
EBN71XXX-11000BC	1YR Flex EBM Onsite Service, 7x24 Next Day Response 7-11kVA	7001-11000	EBM's for 9PX, 9130, FERRUPS, 9170+ 9 Slot, EX	Call
EBN73XXX-11000BC	3YR Flex EBM Onsite Service, 7x24 Next Day Response 7-11kVA	7001-11000	EBM's for 9PX, 9130, FERRUPS, 9170+ 9 Slot, EX	Call
EBN71XXX-18000BC	1YR Flex EBM Onsite Service, 7x24 Next Day Response 11-18kVA	11001-18000	EBM's for 9PX, 9130, FERRUPS, 9170+ 12 Slot, EX	Call
EBN73XXX-18000BC	3YR Flex EBM Onsite Service, 7x24 Next Day Response 11-18kVA	11001-18000	EBM's for 9PX, 9130, FERRUPS, 9170+ 12 Slot, EX	Call
UPS & EBM 8-Hour Onsite Service Plans Post Warranty (Years 3-5)				
FL871XXX-2509UC	1YR Flex UPS Onsite Service, 7x24 8hr Response 2500VA	1-2500	5PX, Evolution	Call
FL873XXX-2509UC	3YR Flex UPS Onsite Service, 7x24 8hr Response 2500VA	1-2500	5PX, Evolution	Call
FL871XXX-6009UC	1YR Flex UPS Onsite Service, 7x24 8hr Response 2.5-6kVA	2501-6000	5PX, Evolution, 9PX, 9130, FERRUPS, 9170+, EX	Call
FL873XXX-6009UC	3YR Flex UPS Onsite Service, 7x24 8hr Response 2.5-6kVA	2501-6000	5PX, Evolution, 9PX, 9130, FERRUPS, 9170+, EX	Call
FL871XXX-11000UC	1YR Flex UPS Onsite Service, 7x24 8hr Response 6-11kVA	6001-11000	9PX, 9130, FERRUPS, 9170+, EX	Call
FL873XXX-11000UC	3YR Flex UPS Onsite Service, 7x24 8hr Response 6-11kVA	6001-11000	9PX, 9130, FERRUPS, 9170+, EX	Call
FL871XXX-18000UC	1YR Flex UPS Onsite Service, 7x24 8hr Response 11-18kVA	11001-18000	9PX, 9130, FERRUPS, 9170+, EX	Call
FL873XXX-18000UC	3YR Flex UPS Onsite Service, 7x24 8hr Response 11-18kVA	11001-18000	9PX, 9130, FERRUPS, 9170+, EX	Call
EB871XXX-7000BC	1YR Flex EBM Onsite Service, 7x24 8hr Response 1-7000VA	1-7000	EBM's for 9PX, 9130, FERRUPS, 9170+ 3-6 Slot, EX	Call
EB873XXX-7000BC	3YR Flex EBM Onsite Service, 7x24 8hr Response 1-7000VA	1-7000	EBM's for 9PX, 9130, FERRUPS, 9170+ 3-6 Slot, EX	Call
EB871XXX-11000BC	1YR Flex EBM Onsite Service, 7x24 8hr Response 7-11kVA	7001-11000	EBM's for 9PX, 9130, FERRUPS, 9170+ 9 Slot, EX	Call
EB873XXX-11000BC	3YR Flex EBM Onsite Service, 7x24 8hr Response 7-11kVA	7001-11000	EBM's for 9PX, 9130, FERRUPS, 9170+ 9 Slot, EX	Call
EB871XXX-18000BC	1YR Flex EBM Onsite Service, 7x24 8hr Response 11-18kVA	11001-18000	EBM's for 9PX, 9130, FERRUPS, 9170+ 12 Slot, EX	Call
EB873XXX-18000BC	3YR Flex EBM Onsite Service, 7x24 8hr Response 11-18kVA	11001-18000	EBM's for 9PX, 9130, FERRUPS, 9170+ 12 Slot, EX	Call

SERVICES

Single-phase Service Plans (continued)

SCHEDULED SERVICES & ONSITE SERVICE PLANS (CONCURRENT) (continued)

Style Number	Description	Range	Applicable UPS Models	List Price
UPS Preventive Maintenance				
0005NXXX-6009UC	Onsite UPS PM 7x24, First Unit	1-6000	9PX, 9130, FERRUPS, 9170+, EX	Call
0005NXXX-11000UC	Onsite UPS PM 7x24, First Unit	6001-11000	9PX, 9130, FERRUPS, 9170+, EX	Call
0005NXXX-18000UC	Onsite UPS PM 7x24, First Unit	11001-18000	9PX, 9130, FERRUPS, 9170+, EX	Call
0005N2XX-6009UC	Onsite UPS PM 7x24, Second Unit	1-6000	9PX, 9130, FERRUPS, 9170+, EX	Call
0005N2XX-11000UC	Onsite UPS PM 7x24, Second Unit	6001-11000	9PX, 9130, FERRUPS, 9170+, EX	Call
0005N2XX-18000UC	Onsite UPS PM 7x24, Second Unit	11001-18000	9PX, 9130, FERRUPS, 9170+, EX	Call
Assembly, Startup and Monitoring				
AS00NXXX-6009UC	Scheduled UPS Assembly Service 7x24	1-6000	9PX, 9130, FERRUPS, 9170+, EX	Call
AS00NXXX-11000UC	Scheduled UPS Assembly Service 7x24	6001-11000	9PX, 9130, FERRUPS, 9170+, EX	Call
AS00NXXX-18000UC	Scheduled UPS Assembly Service 7x24	11001-18000	9PX, 9130, FERRUPS, 9170+, EX	Call
SU05NXXX-6009UC	Onsite 1P UPS Startup 7x24, First Unit	1-6000	9PX, 9130, FERRUPS, 9170+, EX	Call
SU05NXXX-11000UC	Onsite 1P UPS Startup 7x24, First Unit	6001-11000	9PX, 9130, FERRUPS, 9170+, EX	Call
SU05NXXX-18000UC	Onsite 1P UPS Startup 7x24, First Unit	11001-18000	9PX, 9130, FERRUPS, 9170+, EX	Call
SU052XXX-6009UC	Onsite 1P UPS Startup 7x24, Second Unit	1-6000	9PX, 9130, FERRUPS, 9170+, EX	Call
SU052XXX-11000UC	Onsite 1P UPS Startup 7x24, Second Unit	6001-11000	9PX, 9130, FERRUPS, 9170+, EX	Call
SU052XXX-18000UC	Onsite 1P UPS Startup 7x24, Second Unit	11001-18000	9PX, 9130, FERRUPS, 9170+, EX	Call
XXXNEXX-6009UC	Enotify Remote Monitoring Per Year	1-6000	9PX, 9130, FERRUPS, 9170+, EX	Call
XXXNEXX-11000UC	Enotify Remote Monitoring Per Year	6001-11000	9PX, 9130, FERRUPS, 9170+, EX	Call
XXXNEXX-18000UC	Enotify Remote Monitoring Per Year	11001-18000	9PX, 9130, FERRUPS, 9170+, EX	Call

SINGLE-PHASE 9170+ AND FERRUPS EBM REFERENCE TABLE

Part Number	VA Range	Applicable UPS Models	Applicable EBM
EB871XXX-7000BC	1-7000	5 and 9 Series, FERRUPS, 9170+ Eaton UPS	9170+ 3-slot, 6-slot; EBPS12.5, EBPS18, 8FE, 2FE 9FE, 16FE 2re, 1rd, 8ME EBPS4.3R, 9ME EBPS10, 24ME 1FE, 25ME 1re
EB873XXX-7000BC	1-7000	5 and 9 Series, FERRUPS, 9170+ Eaton UPS	9170+ 3-slot, 6-slot; EBPS12.5, EBPS18, 8FE, 2FE 9FE, 16FE 2re, 1rd, 8ME EBPS4.3R, 9ME EBPS10, 24ME 1FE, 25ME 1re
EB871XXX-11000BC	7001-11000	9 Series, FERRUPS, 9170+ Eaton UPS	9170+ 9-slot; 10ME 11ME, 12ME 3FE, 4FE 2rd, 13ME, 5FE, 3rd, 10FE, 17FE
EB873XXX-11000BC	7001-11000	9 Series, FERRUPS, 9170+ Eaton UPS	9170+ 9-slot; 10ME 11ME, 12ME 3FE, 4FE 2rd, 13ME, 5FE, 3rd, 10FE, 17FE
EB871XXX-18000BC	11001-18000	9 Series, FERRUPS, 9170+ Eaton UPS	9170+ 12-slot; 14ME, 6FE, 11FE, 12FE, 18FE, 19FE, 15ME, 7FE, 13FE, 20FE, 14FE, 21FE, 15FE, 22FE
EB873XXX-18000BC	11001-18000	9 Series, FERRUPS, 9170+ Eaton UPS	9170+ 12-slot; 14ME, 6FE, 11FE, 12FE, 18FE, 19FE, 15ME, 7FE, 13FE, 20FE, 14FE, 21FE, 15FE, 22FE

Notes:

Flex (FL), Warranty Upgrade (WU) = parts and labor onsite 7x24, next day or 8-hour response (where available)

Important Notes:

- 1) Extended Warranty extends term of Factory Warranty and adds Advanced Exchange
- 2) Factory Warranty - Return Process
 - Customer returns unit to Eaton (customer pays freight)
 - Eaton ground ships replacement unit (on receipt of defective unit)
 - Eaton covers freight to customer
- 3) Advanced Exchange - Return Process
 - Eaton overnight ships replacement unit (on customer contact)
 - Customer returns defective unit in overnight packaging
 - Eaton covers freight in both directions
- 4) Extended Warranty "buy/resell" multiplier matches new product (hardware) multiplier
- 5) Prices apply to equipment installed in Canada
- 6) 9170+ uses the total KVA installed for service pricing (e. 3kVA N+1 = 6kVA)
- 7) Above prices are for concurrently sold services (with a new product sale); for non-concurrent service pricing and availability contact Eaton at 1-800-461-9166 or insideservicesales@eaton.com
- 8) Renewals beyond the initial warranty or extension must be purchased prior to any lapse in coverage or a new battery purchase is required (no grace period)

SERVICES

Single-phase Service Plans (continued)

9155 SCHEDULED SERVICES & ONSITE SERVICE PLANS (CONCURRENT)

Style Number	Description	Range	Applicable UPS Models	List Price
First Year 9155 UPS Coverage (Next Day, 8 and 4-hour response)				
W1FLN75XXX-0010	Flex: Next Day Rsp, 7x24 Cvg Only	8-10	9155 Warranty YR1	\$678
W1FLN75EXX-0010	Flex: Next Day Rsp, 7x24 Cvg, Enotify Only	8-10	9155 Warranty YR1	\$814
W1FL875XXX-0010	Flex: 8 Hr Rsp, 7x24 Cvg Only	8-10	9155 Warranty YR1	\$856
W1FL875EXX-0010	Flex: 8 Hr Rsp, 7x24 Cvg, Enotify Only	8-10	9155 Warranty YR1	\$994
W1FL475XXX-0010	Flex: 4 Hr Rsp, 7x24 Cvg Only	8-10	9155 Warranty YR1	\$1,069
W1FL475EXX-0010	Flex: 4 Hr Rsp, 7x24 Cvg, Enotify Only	8-10	9155 Warranty YR1	\$1,207
W1PVN35EXX-0010	Powertrust Value Service Plan	8-10	9155 Warranty YR1	\$1,361
W1PT825EDX-0010	Powertrust Service Plan 8 Hr	8-10	9155 Warranty YR1	\$1,783
W1PT425EDX-0010	Powertrust Service Plan 4 Hr	8-10	9155 Warranty YR1	\$1,998
W1FLN75XXX-0015	Flex: Next Day Rsp, 7x24 Cvg Only	12-15	9155 Warranty YR1	\$773
W1FLN75EXX-0015	Flex: Next Day Rsp, 7x24 Cvg, Enotify Only	12-15	9155 Warranty YR1	\$909
W1FL875XXX-0015	Flex: 8 Hr Rsp, 7x24 Cvg Only	12-15	9155 Warranty YR1	\$978
W1FL875EXX-0015	Flex: 8 Hr Rsp, 7x24 Cvg, Enotify Only	12-15	9155 Warranty YR1	\$1,116
W1FL475XXX-0015	Flex: 4 Hr Rsp, 7x24 Cvg Only	12-15	9155 Warranty YR1	\$1,222
W1FL475EXX-0015	Flex: 4 Hr Rsp, 7x24 Cvg, Enotify Only	12-15	9155 Warranty YR1	\$1,360
W1PVN35EXX-0015	Powertrust Value Service Plan	12-15	9155 Warranty YR1	\$1,444
W1PT825EDX-0015	Powertrust Service Plan 8 Hr	12-15	9155 Warranty YR1	\$1,926
W1PT425EDX-0015	Powertrust Service Plan 4 Hr	12-15	9155 Warranty YR1	\$2,170
2+ Year 9155 UPS Coverage (Next Day, 8 and 4-hour response)				
W2FLN75XXX-0010	Flex: Next Day Rsp, 7x24 Cvg Only	8-10	9155 Post Warranty	\$1,353
W2FLN75EXX-0010	Flex: Next Day Rsp, 7x24 Cvg, Enotify Only	8-10	9155 Post Warranty	\$1,629
W2FL875XXX-0010	Flex: 8 Hr Rsp, 7x24 Cvg Only	8-10	9155 Post Warranty	\$1,710
W2FL875EXX-0010	Flex: 8 Hr Rsp, 7x24 Cvg, Enotify Only	8-10	9155 Post Warranty	\$1,986
W2FL475XXX-0010	Flex: 4 Hr Rsp, 7x24 Cvg Only	8-10	9155 Post Warranty	\$2,139
W2FL475EXX-0010	Flex: 4 Hr Rsp, 7x24 Cvg, Enotify Only	8-10	9155 Post Warranty	\$2,414
W2PVN35EXX-0010	Powertrust Value Service Plan	8-10	9155 Post Warranty	\$2,724
W2PT825EDX-0010	Powertrust Service Plan 8 Hr	8-10	9155 Post Warranty	\$3,569
W2PT425EDX-0010	Powertrust Service Plan 4 Hr	8-10	9155 Post Warranty	\$3,996
W2FLN75XXX-0015	Flex: Next Day Rsp, 7x24 Cvg Only	12-15	9155 Post Warranty	\$1,545
W2FLN75EXX-0015	Flex: Next Day Rsp, 7x24 Cvg, Enotify Only	12-15	9155 Post Warranty	\$1,820
W2FL875XXX-0015	Flex: 8 Hr Rsp, 7x24 Cvg Only	12-15	9155 Post Warranty	\$1,958
W2FL875EXX-0015	Flex: 8 Hr Rsp, 7x24 Cvg, Enotify Only	12-15	9155 Post Warranty	\$2,232
W2FL475XXX-0015	Flex: 4 Hr Rsp, 7x24 Cvg Only	12-15	9155 Post Warranty	\$2,446
W2FL475EXX-0015	Flex: 4 Hr Rsp, 7x24 Cvg, Enotify Only	12-15	9155 Post Warranty	\$2,720
W2PVN35EXX-0015	Powertrust Value Service Plan	12-15	9155 Post Warranty	\$2,887
W2PT825EDX-0015	Powertrust Service Plan 8 Hr	12-15	9155 Post Warranty	\$3,853
W2PT425EDX-0015	Powertrust Service Plan 4 Hr	12-15	9155 Post Warranty	\$4,341
9155 UPS and Battery Preventive Maintenance (First Year and 2+ Year)				
W100055S036	Sealed Battery Preventive Maintenance, Any Time	8-15	9155 Warranty YR1	\$557
W100055INT	Sealed Battery Preventive Maintenance, Any Time	8-15	9155 Warranty YR1	\$664
W100055S072	Sealed Battery Preventive Maintenance, Any Time	8-15	9155 Warranty YR1	\$1,002
W200055S036	Sealed Battery Preventive Maintenance, Any Time	8-15	9155 Post Warranty	\$1,113
W200055INT	Sealed Battery Preventive Maintenance, Any Time	8-15	9155 Post Warranty	\$1,330
W200055S072	Sealed Battery Preventive Maintenance, Any Time	8-15	9155 Post Warranty	\$2,005
W100065XXX-0010	UPS Preventive Maintenance, Business Hours (5x8)	8-10	9155 Warranty YR1	\$685
W200065XXX-0010	UPS Preventive Maintenance, Business Hours (5x8)	8-10	9155 Post Warranty	\$1,367
W100055XXX-0010	UPS Preventive Maintenance, After Hours (7x24)	8-10	9155 Warranty YR1	\$898
W200055XXX-0010	UPS Preventive Maintenance, After Hours (7x24)	8-10	9155 Post Warranty	\$1,796
W100065XXX-0015	UPS Preventive Maintenance, Business Hours (5x8)	12-15	9155 Warranty YR1	\$689
W200065XXX-0015	UPS Preventive Maintenance, Business Hours (5x8)	12-15	9155 Post Warranty	\$1,377
W100055XXX-0015	UPS Preventive Maintenance, After Hours (7x24)	12-15	9155 Warranty YR1	\$841
W200055XXX-0015	UPS Preventive Maintenance, After Hours (7x24)	12-15	9155 Post Warranty	\$1,681

SERVICES

Single-phase Service Plans *(continued)*

9155 SCHEDULED SERVICES & ONSITE SERVICE PLANS (CONCURRENT) *(continued)*

Style Number	Description	Range	Applicable UPS Models	List Price
9155 Battery Replacement Coverage				
W2BL075AXX	2 Year Battery Labor Coverage Adder, 9155	8-15	9155 External Battery Warranty Extension - First 2YRS	\$460
W2FB075XXX-EB64	Full Battery Coverage EBM 64, 9155	8-15	9155 External Battery Warranty Extension Per YR	\$1,253
W2FB075XXX-EB96	Full Battery Coverage EBM 96, 9155	8-15	9155 External Battery Warranty Extension Per YR	\$1,720
W2FB075XXX-IN32	Full Battery Coverage Internal, 9155	8-15	9155 External Battery Warranty Extension Per YR	\$810
W2FB075XXX-IN64	Full Battery Coverage Internal, 9155	8-15	9155 External Battery Warranty Extension Per YR	\$1,317
9155 Presite, Assembly, Startup and Upgrades				
W200055PSX-0010	Pre Site Survey, After Hours (7x24)	8-10	9155 Startup, Inspection or Assembly	\$1,530
W2AS005000-0010	Scheduled Assembly Service 7x24	8-10	9155 Startup, Inspection or Assembly	\$703
W2SU065XXX-0010	Start Up, Business Hours (5x8), First Unit, 9155	8-10	9155 Startup, Inspection or Assembly	\$1,490
W2SU063XXX-0010	Start Up, Business Hours (5x8), Second Unit, 9155	8-10	9155 Startup, Inspection or Assembly	\$745
W2SU055XXX-0010	Start Up, After Hours (7x24), First Unit, 9155	8-10	9155 Startup, Inspection or Assembly	\$1,796
W2SU053XXX-0010	Start Up, After Hours (7x24), Second Unit, 9155	8-10	9155 Startup, Inspection or Assembly	\$898
W2UP055XXX-0010	Upgrade From 5x8 To 7x24 Startup 10kVA, 9155	8-10	9155 Startup, Inspection or Assembly	\$305
W200055PSX-0015	Pre Site Survey, After Hours (7x24)	12-15	9155 Startup, Inspection or Assembly	\$1,530
W2AS005000-0015	Scheduled Assembly Service 7x24	12-15	9155 Startup, Inspection or Assembly	\$1,149
W2SU065XXX-0015	Start Up, Business Hours (5x8), First Unit, 9155	12-15	9155 Startup, Inspection or Assembly	\$1,681
W2SU063XXX-0015	Start Up, Business Hours (5x8), Second Unit, 9155	12-15	9155 Startup, Inspection or Assembly	\$841
W2SU055XXX-0015	Start Up, After Hours (7x24), First Unit, 9155	12-15	9155 Startup, Inspection or Assembly	\$2,063
W2SU053XXX-0015	Start Up, After Hours (7x24), Second Unit, 9155	12-15	9155 Startup, Inspection or Assembly	\$1,032
W2UP055XXX-0015	Upgrade From 5x8 To 7x24 Startup 10kVA, 9155	12-15	9155 Startup, Inspection or Assembly	\$382

Important Notes:

- 1) 9155 service plans include internal battery coverage; to add external battery coverage purchase Full Battery Coverage
- 2) Eaton 9155 includes a standard 2 year factory warranty (depot exchange)
- 3) Prices apply to equipment installed in Canada and equipment must be within 100 miles of the nearest Eaton field technician
- 4) Above prices are for concurrently sold services (with a new product sale); for non-concurrent service pricing and availability contact Eaton at 1-800-461-9166 or insideservicesales@eaton.com
- 5) Renewals beyond the initial warranty or extension must be purchased prior to any lapse in coverage or a new battery purchase is required (no grace period)

SERVICES

Three-phase Service Plans Overview

Eaton's three-phase UPS service options, provide the uptime, convenience and value that's right for you and your business. You can leverage onsite services to meet your specific needs for UPSs, batteries and related equipment. With 240 customer service engineers in North America, we have more factory-trained personnel than any other UPS manufacturer and customers consistently rank our service number one in quality.

Three-phase Service Plan Features	PowerTrust Value	ProActive	PowerTrust	PowerTrust Preferred	Flex
Parts and Labor for Electronics	•	•	•	•	o
Parts and Labor for Batteries	o	o	o	o	o
5x8 Onsite Corrective Maintenance	•				o
7x24 Onsite Corrective Maintenance		•	•	•	o
Next Business Day Response	•				o
8-Hour Response		•	•	•	o
4-Hour Response		o	o	o	o
5x8 UPS Preventive Maintenance Visit	1 per year	o	1 per year	o	o
7x24 UPS Preventive Maintenance Visit	o	1 per year	o	2 per year	o
Battery Preventive Maintenance Visit	o	o	1 per year	2 per year	o
eNotify Remote Monitoring Service	•	•	•	•	o
Discounted Spare Parts & Upgrade Kits & T&M		30%	30%	30%	

• Included feature o Optional feature

Eaton's most popular on-site UPS support plans come standard with the above features. Additional preventive maintenance visits can be added to any packaged plan. Flex Support Plans should be used whenever a standard packaged service plan doesn't exactly match your needs. Select W1 items when service is to be started during the first year warranty period and W2 items for services to start at year 2 (post warranty) or later. Service may be sold for up to 5 year terms. Startup service may be purchased for the first unit or second unit, with discounts included in the price.

SCHEDULED SERVICES & ONSITE SERVICE PLANS (CONCURRENT)

Style Number	Description	Range	List Price
BladeUPS Specific Plans and Assembly (Unique items to BladeUPS)			
W1PE00NEXX-0015	PowerTrust Express Service Plan	11 - 15	\$749
W1PE00NEXX-0030	PowerTrust Express Service Plan	21 - 30	\$882
W1PE00NEXX-0050	PowerTrust Express Service Plan	31 - 50	\$1,146
W1PE00NEXX-0080	PowerTrust Express Service Plan	51 - 80	\$1,280
W2PE00NEXX-0015	PowerTrust Express Service Plan	11 - 15	\$1,498
W2PE00NEXX-0030	PowerTrust Express Service Plan	21 - 30	\$1,765
W2PE00NEXX-0050	PowerTrust Express Service Plan	31 - 50	\$2,291
W2PE00NEXX-0080	PowerTrust Express Service Plan	51 - 80	\$2,558
W2SUPR05NXXX-0080	BladeUPS Preassembled Startup Level 2 - 7x24, First Unit	51 - 80	\$5,102
W2SUPR06NXXX-0080	BladeUPS Preassembled Startup Level 2 - 5x8, First Unit	51 - 80	\$3,876
W2SUPS05NXXX-0080	BladeUPS Preassembled Startup Level 1 - 7x24, First Unit	51 - 80	\$4,708
W2SUPS06NXXX-0080	BladeUPS Preassembled Startup Level 1 - 5x8, First Unit	51 - 80	\$3,578
W2SUPR052XXX-0080	BladeUPS Preassembled Startup Level 2 - 7x24, Second Unit	51 - 80	\$3,571
W2SUPR062XXX-0080	BladeUPS Preassembled Startup Level 2 - 5x8, Second Unit	51 - 80	\$2,713
W2SUPS052XXX-0080	BladeUPS Preassembled Startup Level 1 - 7x24, Second Unit	51 - 80	\$3,296
W2SUPS062XXX-0080	BladeUPS Preassembled Startup Level 1 - 5x8, Second Unit	51 - 80	\$2,504
Scheduled Services - Startup and Upgrades, Presite, Assembly			
UP05CXXX-0010	Upgrade From 5x8 To 7x24 Startup 10kVA	6 - 10	\$351
UP05CXXX-0015	Upgrade From 5x8 To 7x24 Startup 15kVA	11 - 15	\$440
UP05CXXX-0020	Upgrade From 5x8 To 7x24 Startup 20kVA	16 - 20	\$440
UP05CXXX-0030	Upgrade From 5x8 To 7x24 Startup 30kVA	21 - 30	\$440
UP05CXXX-0050	Upgrade From 5x8 To 7x24 Startup (First Unit)	31 - 50	\$889
UP05CXXX-0080	Upgrade From 5x8 To 7x24 Startup 80kVA	51 - 80	\$941
UP05CXXX-0160	Upgrade From 5x8 To 7x24 Startup 160kVA	81 - 160	\$1,199
W20005NPSX-0010	Pre Site Survey, After Hours (7x24)	6 - 10	\$1,765
W20005NPSX-0015	Pre Site Survey, After Hours (7x24)	11 - 15	\$1,765
W20005NPSX-0020	Pre Site Survey, After Hours (7x24)	16 - 20	\$1,765

SERVICES

Three-phase Service Plans (continued)

SCHEDULED SERVICES & ONSITE SERVICE PLANS (CONCURRENT)

Style Number	Description	Range	List Price
Scheduled Services - Startup and Upgrades, Presite, Assembly (continued)			
W20005NPSX-RPP	Pre Site Survey, After Hours (7x24)	RPP	\$1,765
W20005NPSX-RPPB	Pre Site Survey, After Hours (7x24)	RPPB	\$1,765
W2AS00N000-0015	Scheduled Assembly Service And Set Up 7x24	6 - 15	\$1,326
W2AS00N000-0030	Scheduled Assembly Service And Set Up 7x24	16 - 30	\$1,622
W2AS00N000-0050	Scheduled Assembly Service And Set Up 7x24	31 - 50	\$1,622
W2AS00N000-0080	Scheduled Assembly Service And Set Up 7x24	51 - 80	\$2,027
W2SU05NXXX-0010	Start Up, After Hours (7x24), First Unit	6 - 10	\$2,072
W2SU05NXXX-0015	Start Up, After Hours (7x24), First Unit	11 - 15	\$2,380
W2SU05NXXX-0020	Start Up, After Hours (7x24), First Unit	16 - 20	\$2,647
W2SU05NXXX-0030	Start Up, After Hours (7x24), First Unit	21 - 30	\$2,822
W2SU05NXXX-0050	Start Up, After Hours (7x24), First Unit	31 - 50	\$3,705
W2SU05NXXX-0080	Start Up, After Hours (7x24), First Unit	51 - 80	\$3,923
W2SU05NXXX-0160	Start Up, After Hours (7x24), First Unit	81 - 160	\$4,993
W2SU05NXXX-RPP	Start Up, After Hours (7x24), First Unit	RPP	\$1,765
W2SU05NXXX-RPPB	Start Up, After Hours (7x24), First Unit	RPPB	\$2,259
W2SU06NXXX-0010	Start Up, Business Hours (5x8), First Unit	6 - 10	\$1,719
W2SU06NXXX-0015	Start Up, Business Hours (5x8), First Unit	11 - 15	\$1,940
W2SU06NXXX-0020	Start Up, Business Hours (5x8), First Unit	16 - 20	\$2,205
W2SU06NXXX-0030	Start Up, Business Hours (5x8), First Unit	21 - 30	\$2,380
W2SU06NXXX-0050	Start Up, Business Hours (5x8), First Unit	31 - 50	\$2,816
W2SU06NXXX-0080	Start Up, Business Hours (5x8), First Unit	51 - 80	\$2,983
W2SU06NXXX-0160	Start Up, Business Hours (5x8), First Unit	81 - 160	\$3,794
W2SU06NXXX-RPP	Start Up, Business Hours (5x8), First Unit	RPP	\$1,103
W2SU06NXXX-RPPB	Start Up, Business Hours (5x8), First Unit	RPPB	\$1,410
W2SU052XXX-0010	Start Up, After Hours (7x24), Second Unit	6 - 10	\$1,037
W2SU052XXX-0015	Start Up, After Hours (7x24), Second Unit	11 - 15	\$1,191
W2SU052XXX-0020	Start Up, After Hours (7x24), Second Unit	16 - 20	\$1,323
W2SU052XXX-0030	Start Up, After Hours (7x24), Second Unit	21 - 30	\$1,410
W2SU052XXX-0050	Start Up, After Hours (7x24), Second Unit	31 - 50	\$1,852
W2SU052XXX-0080	Start Up, After Hours (7x24), Second Unit	51 - 80	\$1,962
W2SU052XXX-0160	Start Up, After Hours (7x24), Second Unit	81 - 160	\$2,496
W2SU052XXX-RPP	Start Up, After Hours (7x24), Second Unit	RPP	\$882
W2SU052XXX-RPPB	Start Up, After Hours (7x24), Second Unit	RPPB	\$1,130
W2SU062XXX-0010	Start Up, Business Hours (5x8), Second Unit	6 - 10	\$860
W2SU062XXX-0015	Start Up, Business Hours (5x8), Second Unit	11 - 15	\$970
W2SU062XXX-0020	Start Up, Business Hours (5x8), Second Unit	16 - 20	\$1,103
W2SU062XXX-0030	Start Up, Business Hours (5x8), Second Unit	21 - 30	\$1,191
W2SU062XXX-0050	Start Up, Business Hours (5x8), Second Unit	31 - 50	\$1,407
W2SU062XXX-0080	Start Up, Business Hours (5x8), Second Unit	51 - 80	\$1,491
W2SU062XXX-0160	Start Up, Business Hours (5x8), Second Unit	81 - 160	\$1,897
W2SU062XXX-RPP	Start Up, Business Hours (5x8), Second Unit	RPP	\$552
W2SU062XXX-RPPB	Start Up, Business Hours (5x8), Second Unit	RPPB	\$706
First Year UPS Coverage (Next Day response, 5x8 and 7x24)			
W1FLN7NEDX-0010	Flex: Next Day Rsp, 7x24 Cvg, Enotify, P&L Disc	6 - 10	\$1,064
W1FLN7NEDX-0015	Flex: Next Day Rsp, 7x24 Cvg, Enotify, P&L Disc	11 - 15	\$1,191
W1FLN7NEDX-0020	Flex: Next Day Rsp, 7x24 Cvg, Enotify, P&L Disc	16 - 20	\$1,445
W1FLN7NEDX-0030	Flex: Next Day Rsp, 7x24 Cvg, Enotify, P&L Disc	21 - 30	\$1,730
W1FLN7NEDX-0050	Flex: Next Day Rsp, 7x24 Cvg, Enotify, P&L Disc	31 - 50	\$2,243
W1FLN7NEDX-0080	Flex: Next Day Rsp, 7x24 Cvg, Enotify, P&L Disc	51 - 80	\$2,808
W1FLN7NEDX-0160	Flex: Next Day Rsp, 7x24 Cvg, Enotify, P&L Disc	81 - 160	\$3,573
W1FLN7NEXX-0010	Flex: Next Day Rsp, 7x24 Cvg, Enotify Only	6 - 10	\$940
W1FLN7NEXX-0015	Flex: Next Day Rsp, 7x24 Cvg, Enotify Only	11 - 15	\$1,049
W1FLN7NEXX-0020	Flex: Next Day Rsp, 7x24 Cvg, Enotify Only	16 - 20	\$1,286

SERVICES

Three-phase Service Plans (continued)

SCHEDULED SERVICES & ONSITE SERVICE PLANS (CONCURRENT) (continued)

Style Number	Description	Range	List Price
First Year UPS Coverage (Next Day response, 5x8 and 7x24) (continued)			
W1FLN7NEXX-0030	Flex: Next Day Rsp, 7x24 Cvg, Enotify Only	21 - 30	\$1,542
W1FLN7NEXX-0050	Flex: Next Day Rsp, 7x24 Cvg, Enotify Only	31 - 50	\$2,010
W1FLN7NEXX-0080	Flex: Next Day Rsp, 7x24 Cvg, Enotify Only	51 - 80	\$2,517
W1FLN7NEXX-0160	Flex: Next Day Rsp, 7x24 Cvg, Enotify Only	81 - 160	\$3,178
W1FLN7NXDX-0010	Flex: Next Day Rsp, 7x24 Cvg, P&L Disc Only	6 - 10	\$905
W1FLN7NXDX-0015	Flex: Next Day Rsp, 7x24 Cvg, P&L Disc Only	11 - 15	\$1,034
W1FLN7NXDX-0020	Flex: Next Day Rsp, 7x24 Cvg, P&L Disc Only	16 - 20	\$1,162
W1FLN7NXDX-0030	Flex: Next Day Rsp, 7x24 Cvg, P&L Disc Only	21 - 30	\$1,377
W1FLN7NXDX-0050	Flex: Next Day Rsp, 7x24 Cvg, P&L Disc Only	31 - 50	\$1,714
W1FLN7NXDX-0080	Flex: Next Day Rsp, 7x24 Cvg, P&L Disc Only	51 - 80	\$2,102
W1FLN7NXDX-0160	Flex: Next Day Rsp, 7x24 Cvg, P&L Disc Only	81 - 160	\$2,865
W1FLN7NXXX-0010	Flex: Next Day Rsp, 7x24 Cvg Only	6 - 10	\$782
W1FLN7NXXX-0015	Flex: Next Day Rsp, 7x24 Cvg Only	11 - 15	\$892
W1FLN7NXXX-0020	Flex: Next Day Rsp, 7x24 Cvg Only	16 - 20	\$1,003
W1FLN7NXXX-0030	Flex: Next Day Rsp, 7x24 Cvg Only	21 - 30	\$1,189
W1FLN7NXXX-0050	Flex: Next Day Rsp, 7x24 Cvg Only	31 - 50	\$1,480
W1FLN7NXXX-0080	Flex: Next Day Rsp, 7x24 Cvg Only	51 - 80	\$1,811
W1FLN7NXXX-0160	Flex: Next Day Rsp, 7x24 Cvg Only	81 - 160	\$2,474
W1FLN8NEDX-0010	Flex: Next Day Rsp, 5x8 Cvg, Enotify, P&L Disc	6 - 10	\$906
W1FLN8NEDX-0015	Flex: Next Day Rsp, 5x8 Cvg, Enotify, P&L Disc	11 - 15	\$1,014
W1FLN8NEDX-0020	Flex: Next Day Rsp, 5x8 Cvg, Enotify, P&L Disc	16 - 20	\$1,242
W1FLN8NEDX-0030	Flex: Next Day Rsp, 5x8 Cvg, Enotify, P&L Disc	21 - 30	\$1,491
W1FLN8NEDX-0050	Flex: Next Day Rsp, 5x8 Cvg, Enotify, P&L Disc	31 - 50	\$1,946
W1FLN8NEDX-0080	Flex: Next Day Rsp, 5x8 Cvg, Enotify, P&L Disc	51 - 80	\$2,445
W1FLN8NEDX-0160	Flex: Next Day Rsp, 5x8 Cvg, Enotify, P&L Disc	81 - 160	\$3,078
W1FLN8NEXX-0010	Flex: Next Day Rsp, 5x8 Cvg, Enotify Only	6 - 10	\$784
W1FLN8NEXX-0015	Flex: Next Day Rsp, 5x8 Cvg, Enotify Only	11 - 15	\$873
W1FLN8NEXX-0020	Flex: Next Day Rsp, 5x8 Cvg, Enotify Only	16 - 20	\$1,083
W1FLN8NEXX-0030	Flex: Next Day Rsp, 5x8 Cvg, Enotify Only	21 - 30	\$1,304
W1FLN8NEXX-0050	Flex: Next Day Rsp, 5x8 Cvg, Enotify Only	31 - 50	\$1,712
W1FLN8NEXX-0080	Flex: Next Day Rsp, 5x8 Cvg, Enotify Only	51 - 80	\$2,156
W1FLN8NEXX-0160	Flex: Next Day Rsp, 5x8 Cvg, Enotify Only	81 - 160	\$2,684
W1FLN8NXDX-0010	Flex: Next Day Rsp, 5x8 Cvg, P&L Disc Only	6 - 10	\$747
W1FLN8NXDX-0015	Flex: Next Day Rsp, 5x8 Cvg, P&L Disc Only	11 - 15	\$855
W1FLN8NXDX-0020	Flex: Next Day Rsp, 5x8 Cvg, P&L Disc Only	16 - 20	\$960
W1FLN8NXDX-0030	Flex: Next Day Rsp, 5x8 Cvg, P&L Disc Only	21 - 30	\$1,140
W1FLN8NXDX-0050	Flex: Next Day Rsp, 5x8 Cvg, P&L Disc Only	31 - 50	\$1,417
W1FLN8NXDX-0080	Flex: Next Day Rsp, 5x8 Cvg, P&L Disc Only	51 - 80	\$1,739
W1FLN8NXDX-0160	Flex: Next Day Rsp, 5x8 Cvg, P&L Disc Only	81 - 160	\$2,372
W1FLN8NXXX-0010	Flex: Next Day Rsp, 5x8 Cvg Only	6 - 10	\$625
W1FLN8NXXX-0015	Flex: Next Day Rsp, 5x8 Cvg Only	11 - 15	\$714
W1FLN8NXXX-0020	Flex: Next Day Rsp, 5x8 Cvg Only	16 - 20	\$801
W1FLN8NXXX-0030	Flex: Next Day Rsp, 5x8 Cvg Only	21 - 30	\$952
W1FLN8NXXX-0050	Flex: Next Day Rsp, 5x8 Cvg Only	31 - 50	\$1,185
W1FLN8NXXX-0080	Flex: Next Day Rsp, 5x8 Cvg Only	51 - 80	\$1,450
W1FLN8NXXX-0160	Flex: Next Day Rsp, 5x8 Cvg Only	81 - 160	\$1,978
W1PVN3NEXX-0010	PowerTrust Value Service Plan	6 - 10	\$1,571
W1PVN3NEXX-0015	PowerTrust Value Service Plan	11 - 15	\$1,666
W1PVN3NEXX-0020	PowerTrust Value Service Plan	16 - 20	\$1,965
W1PVN3NEXX-0030	PowerTrust Value Service Plan	21 - 30	\$2,274
W1PVN3NEXX-0050	PowerTrust Value Service Plan	31 - 50	\$2,771
W1PVN3NEXX-0080	PowerTrust Value Service Plan	51 - 80	\$3,345
W1PVN3NEXX-0160	PowerTrust Value Service Plan	81 - 160	\$3,964
W1PVN3NEXX-RPP	PowerTrust Value Service Plan	RPP	\$790
W1PVN3NEXX-RPPB	PowerTrust Value Service Plan	RPPB	\$929

SERVICES**Three-phase Service Plans (continued)****SCHEDULED SERVICES & ONSITE SERVICE PLANS (CONCURRENT) (continued)**

Style Number	Description	Range	List Price
First Year UPS Coverage (8-hour response, 5x8 and 7x24)			
W1FL87NEDX-0010	Flex: 8 Hr Rsp, 7x24 Cvg, Enotify, P&L Disc	6 - 10	\$1,270
W1FL87NEDX-0015	Flex: 8 Hr Rsp, 7x24 Cvg, Enotify, P&L Disc	11 - 15	\$1,429
W1FL87NEDX-0020	Flex: 8 Hr Rsp, 7x24 Cvg, Enotify, P&L Disc	16 - 20	\$1,711
W1FL87NEDX-0030	Flex: 8 Hr Rsp, 7x24 Cvg, Enotify, P&L Disc	21 - 30	\$2,046
W1FL87NEDX-0050	Flex: 8 Hr Rsp, 7x24 Cvg, Enotify, P&L Disc	31 - 50	\$2,638
W1FL87NEDX-0080	Flex: 8 Hr Rsp, 7x24 Cvg, Enotify, P&L Disc	51 - 80	\$3,290
W1FL87NEDX-0160	Flex: 8 Hr Rsp, 7x24 Cvg, Enotify, P&L Disc	81 - 160	\$4,229
W1FL87NEXX-0010	Flex: 8 Hr Rsp, 7x24 Cvg, Enotify Only	6 - 10	\$1,146
W1FL87NEXX-0015	Flex: 8 Hr Rsp, 7x24 Cvg, Enotify Only	11 - 15	\$1,288
W1FL87NEXX-0020	Flex: 8 Hr Rsp, 7x24 Cvg, Enotify Only	16 - 20	\$1,552
W1FL87NEXX-0030	Flex: 8 Hr Rsp, 7x24 Cvg, Enotify Only	21 - 30	\$1,859
W1FL87NEXX-0050	Flex: 8 Hr Rsp, 7x24 Cvg, Enotify Only	31 - 50	\$2,404
W1FL87NEXX-0080	Flex: 8 Hr Rsp, 7x24 Cvg, Enotify Only	51 - 80	\$2,999
W1FL87NEXX-0160	Flex: 8 Hr Rsp, 7x24 Cvg, Enotify Only	81 - 160	\$3,835
W1FL87NXDX-0010	Flex: 8 Hr Rsp, 7x24 Cvg, P&L Disc Only	6 - 10	\$1,111
W1FL87NXDX-0015	Flex: 8 Hr Rsp, 7x24 Cvg, P&L Disc Only	11 - 15	\$1,270
W1FL87NXDX-0020	Flex: 8 Hr Rsp, 7x24 Cvg, P&L Disc Only	16 - 20	\$1,429
W1FL87NXDX-0030	Flex: 8 Hr Rsp, 7x24 Cvg, P&L Disc Only	21 - 30	\$1,693
W1FL87NXDX-0050	Flex: 8 Hr Rsp, 7x24 Cvg, P&L Disc Only	31 - 50	\$2,108
W1FL87NXDX-0080	Flex: 8 Hr Rsp, 7x24 Cvg, P&L Disc Only	51 - 80	\$2,584
W1FL87NXDX-0160	Flex: 8 Hr Rsp, 7x24 Cvg, P&L Disc Only	81 - 160	\$3,523
W1FL87NXXX-0010	Flex: 8 Hr Rsp, 7x24 Cvg Only	6 - 10	\$987
W1FL87NXXX-0015	Flex: 8 Hr Rsp, 7x24 Cvg Only	11 - 15	\$1,129
W1FL87NXXX-0020	Flex: 8 Hr Rsp, 7x24 Cvg Only	16 - 20	\$1,270
W1FL87NXXX-0030	Flex: 8 Hr Rsp, 7x24 Cvg Only	21 - 30	\$1,507
W1FL87NXXX-0050	Flex: 8 Hr Rsp, 7x24 Cvg Only	31 - 50	\$1,875
W1FL87NXXX-0080	Flex: 8 Hr Rsp, 7x24 Cvg Only	51 - 80	\$2,293
W1FL87NXXX-0160	Flex: 8 Hr Rsp, 7x24 Cvg Only	81 - 160	\$3,131
W1FL87NXXX-RPP	Flex: 8 Hr Rsp, 7x24 Cvg Only	RPP	\$545
W1FL87NXXX-RPPB	Flex: 8 Hr Rsp, 7x24 Cvg Only	RPPB	\$681
W1FL88NEDX-0010	Flex: 8 Hr Rsp, 5x8 Cvg, Enotify, P&L Disc	6 - 10	\$1,072
W1FL88NEDX-0015	Flex: 8 Hr Rsp, 5x8 Cvg, Enotify, P&L Disc	11 - 15	\$1,204
W1FL88NEDX-0020	Flex: 8 Hr Rsp, 5x8 Cvg, Enotify, P&L Disc	16 - 20	\$1,456
W1FL88NEDX-0030	Flex: 8 Hr Rsp, 5x8 Cvg, Enotify, P&L Disc	21 - 30	\$1,746
W1FL88NEDX-0050	Flex: 8 Hr Rsp, 5x8 Cvg, Enotify, P&L Disc	31 - 50	\$2,263
W1FL88NEDX-0080	Flex: 8 Hr Rsp, 5x8 Cvg, Enotify, P&L Disc	51 - 80	\$2,830
W1FL88NEDX-0160	Flex: 8 Hr Rsp, 5x8 Cvg, Enotify, P&L Disc	81 - 160	\$3,603
W1FL88NEXX-0010	Flex: 8 Hr Rsp, 5x8 Cvg, Enotify Only	6 - 10	\$949
W1FL88NEXX-0015	Flex: 8 Hr Rsp, 5x8 Cvg, Enotify Only	11 - 15	\$1,062
W1FL88NEXX-0020	Flex: 8 Hr Rsp, 5x8 Cvg, Enotify Only	16 - 20	\$1,297
W1FL88NEXX-0030	Flex: 8 Hr Rsp, 5x8 Cvg, Enotify Only	21 - 30	\$1,557
W1FL88NEXX-0050	Flex: 8 Hr Rsp, 5x8 Cvg, Enotify Only	31 - 50	\$2,027
W1FL88NEXX-0080	Flex: 8 Hr Rsp, 5x8 Cvg, Enotify Only	51 - 80	\$2,539
W1FL88NEXX-0160	Flex: 8 Hr Rsp, 5x8 Cvg, Enotify Only	81 - 160	\$3,210
W1FL88NXDX-0010	Flex: 8 Hr Rsp, 5x8 Cvg, P&L Disc Only	6 - 10	\$913
W1FL88NXDX-0015	Flex: 8 Hr Rsp, 5x8 Cvg, P&L Disc Only	11 - 15	\$1,045
W1FL88NXDX-0020	Flex: 8 Hr Rsp, 5x8 Cvg, P&L Disc Only	16 - 20	\$1,173
W1FL88NXDX-0030	Flex: 8 Hr Rsp, 5x8 Cvg, P&L Disc Only	21 - 30	\$1,393
W1FL88NXDX-0050	Flex: 8 Hr Rsp, 5x8 Cvg, P&L Disc Only	31 - 50	\$1,733
W1FL88NXDX-0080	Flex: 8 Hr Rsp, 5x8 Cvg, P&L Disc Only	51 - 80	\$2,124
W1FL88NXDX-0160	Flex: 8 Hr Rsp, 5x8 Cvg, P&L Disc Only	81 - 160	\$2,899
W1FL88NXXX-0010	Flex: 8 Hr Rsp, 5x8 Cvg Only	6 - 10	\$790
W1FL88NXXX-0015	Flex: 8 Hr Rsp, 5x8 Cvg Only	11 - 15	\$903
W1FL88NXXX-0020	Flex: 8 Hr Rsp, 5x8 Cvg Only	16 - 20	\$1,016
W1FL88NXXX-0030	Flex: 8 Hr Rsp, 5x8 Cvg Only	21 - 30	\$1,205
W1FL88NXXX-0050	Flex: 8 Hr Rsp, 5x8 Cvg Only	31 - 50	\$1,498

SERVICES

Three-phase Service Plans (continued)

SCHEDULED SERVICES & ONSITE SERVICE PLANS (CONCURRENT) (continued)

Style Number	Description	Range	List Price
First Year UPS Coverage (8-hour response, 5x8 and 7x24) (continued)			
W1FL88NXXX-0080	Flex: 8 Hr Rsp, 5x8 Cvg Only	51 - 80	\$1,835
W1FL88NXXX-0160	Flex: 8 Hr Rsp, 5x8 Cvg Only	81 - 160	\$2,504
W1PA81NEDX-0010	Proactive Service Plan 8 Hr	6 - 10	\$2,304
W1PA81NEDX-0015	Proactive Service Plan 8 Hr	11 - 15	\$2,399
W1PA81NEDX-0020	Proactive Service Plan 8 Hr	16 - 20	\$2,768
W1PA81NEDX-0030	Proactive Service Plan 8 Hr	21 - 30	\$3,150
W1PA81NEDX-0050	Proactive Service Plan 8 Hr	31 - 50	\$3,784
W1PA81NEDX-0080	Proactive Service Plan 8 Hr	51 - 80	\$4,613
W1PA81NEDX-0160	Proactive Service Plan 8 Hr	81 - 160	\$5,641
W1PP81NEDX-0010	PowerTrust Preferred Service Plan 8 Hr	6 - 10	\$3,341
W1PP81NEDX-0015	PowerTrust Preferred Service Plan 8 Hr	11 - 15	\$3,369
W1PP81NEDX-0020	PowerTrust Preferred Service Plan 8 Hr	16 - 20	\$3,827
W1PP81NEDX-0030	PowerTrust Preferred Service Plan 8 Hr	21 - 30	\$5,679
W1PP81NEDX-0050	PowerTrust Preferred Service Plan 8 Hr	31 - 50	\$6,355
W1PP81NEDX-0080	PowerTrust Preferred Service Plan 8 Hr	51 - 80	\$7,363
W1PP81NEDX-0160	PowerTrust Preferred Service Plan 8 Hr	81 - 160	\$8,479
W1PP81ZEDX-0030	PowerTrust Preferred Service Plan 8 Hr Int Batt	31 - 50	\$4,252
W1PP81ZEDX-0050	PowerTrust Preferred Service Plan 8 Hr Int Batt	21 - 30	\$4,929
W1PP81ZEDX-0080	PowerTrust Preferred Service Plan 8 Hr Int Batt	51 - 80	\$5,935
W1PT82NEDX-0010	PowerTrust Service Plan 8 Hr	6 - 10	\$2,057
W1PT82NEDX-0015	PowerTrust Service Plan 8 Hr	11 - 15	\$2,223
W1PT82NEDX-0020	PowerTrust Service Plan 8 Hr	16 - 20	\$2,593
W1PT82NEDX-0030	PowerTrust Service Plan 8 Hr	21 - 30	\$3,730
W1PT82NEDX-0050	PowerTrust Service Plan 8 Hr	31 - 50	\$4,409
W1PT82NEDX-0080	PowerTrust Service Plan 8 Hr	51 - 80	\$5,193
W1PT82NEDX-0160	PowerTrust Service Plan 8 Hr	81 - 160	\$6,222
W1PT82NEDX-RPP	PowerTrust Service Plan 8 Hr	RPP	\$1,113
W1PT82NEDX-RPPB	PowerTrust Service Plan 8 Hr	RPPB	\$1,302
W1PT82ZEDX-0030	PowerTrust Service Plan 8 Hr Int Batt	31 - 50	\$3,016
W1PT82ZEDX-0050	PowerTrust Service Plan 8 Hr Int Batt	21 - 30	\$3,697
W1PT82ZEDX-0080	PowerTrust Service Plan 8 Hr Int Batt	51 - 80	\$4,479
First Year UPS Coverage (4-hour response, 5x8 and 7x24)			
W1FL47NEDX-0010	Flex: 4 Hr Rsp, 7x24 Cvg, Enotify, P&L Disc	6 - 10	\$1,517
W1FL47NEDX-0015	Flex: 4 Hr Rsp, 7x24 Cvg, Enotify, P&L Disc	11 - 15	\$1,711
W1FL47NEDX-0020	Flex: 4 Hr Rsp, 7x24 Cvg, Enotify, P&L Disc	16 - 20	\$2,027
W1FL47NEDX-0030	Flex: 4 Hr Rsp, 7x24 Cvg, Enotify, P&L Disc	21 - 30	\$2,423
W1FL47NEDX-0050	Flex: 4 Hr Rsp, 7x24 Cvg, Enotify, P&L Disc	31 - 50	\$3,105
W1FL47NEDX-0080	Flex: 4 Hr Rsp, 7x24 Cvg, Enotify, P&L Disc	51 - 80	\$3,900
W1FL47NEDX-0160	Flex: 4 Hr Rsp, 7x24 Cvg, Enotify, P&L Disc	81 - 160	\$5,028
W1FL47NEXX-0010	Flex: 4 Hr Rsp, 7x24 Cvg, Enotify Only	6 - 10	\$1,393
W1FL47NEXX-0015	Flex: 4 Hr Rsp, 7x24 Cvg, Enotify Only	11 - 15	\$1,569
W1FL47NEXX-0020	Flex: 4 Hr Rsp, 7x24 Cvg, Enotify Only	16 - 20	\$1,870
W1FL47NEXX-0030	Flex: 4 Hr Rsp, 7x24 Cvg, Enotify Only	21 - 30	\$2,236
W1FL47NEXX-0050	Flex: 4 Hr Rsp, 7x24 Cvg, Enotify Only	31 - 50	\$2,872
W1FL47NEXX-0080	Flex: 4 Hr Rsp, 7x24 Cvg, Enotify Only	51 - 80	\$3,609
W1FL47NEXX-0160	Flex: 4 Hr Rsp, 7x24 Cvg, Enotify Only	81 - 160	\$4,633
W1FL47NXDX-0010	Flex: 4 Hr Rsp, 7x24 Cvg, P&L Disc Only	6 - 10	\$1,358
W1FL47NXDX-0015	Flex: 4 Hr Rsp, 7x24 Cvg, P&L Disc Only	11 - 15	\$1,552
W1FL47NXDX-0020	Flex: 4 Hr Rsp, 7x24 Cvg, P&L Disc Only	16 - 20	\$1,746
W1FL47NXDX-0030	Flex: 4 Hr Rsp, 7x24 Cvg, P&L Disc Only	21 - 30	\$2,072
W1FL47NXDX-0050	Flex: 4 Hr Rsp, 7x24 Cvg, P&L Disc Only	31 - 50	\$2,577
W1FL47NXDX-0080	Flex: 4 Hr Rsp, 7x24 Cvg, P&L Disc Only	51 - 80	\$3,193
W1FL47NXDX-0160	Flex: 4 Hr Rsp, 7x24 Cvg, P&L Disc Only	81 - 160	\$4,322
W1FL47NXXX-0010	Flex: 4 Hr Rsp, 7x24 Cvg Only	6 - 10	\$1,234
W1FL47NXXX-0015	Flex: 4 Hr Rsp, 7x24 Cvg Only	11 - 15	\$1,410

SERVICES

Three-phase Service Plans (*continued*)

SCHEDULED SERVICES & ONSITE SERVICE PLANS (CONCURRENT) (*continued*)

Style Number	Description	Range	List Price
First Year UPS Coverage (4-hour response, 5x8 and 7x24) continued			
W1FL47NXXX-0020	Flex: 4 Hr Rsp, 7x24 Cvg Only	16 - 20	\$1,588
W1FL47NXXX-0030	Flex: 4 Hr Rsp, 7x24 Cvg Only	21 - 30	\$1,883
W1FL47NXXX-0050	Flex: 4 Hr Rsp, 7x24 Cvg Only	31 - 50	\$2,344
W1FL47NXXX-0080	Flex: 4 Hr Rsp, 7x24 Cvg Only	51 - 80	\$2,903
W1FL47NXXX-0160	Flex: 4 Hr Rsp, 7x24 Cvg Only	81 - 160	\$3,927
W1FL47NXXX-RPP	Flex: 4 Hr Rsp, 7x24 Cvg Only	RPP	\$681
W1FL47NXXX-RPPB	Flex: 4 Hr Rsp, 7x24 Cvg Only	RPPB	\$854
W1FL48NEDX-0010	Flex: 4 Hr Rsp, 5x8 Cvg, Enotify, P&L Disc	6 - 10	\$1,270
W1FL48NEDX-0015	Flex: 4 Hr Rsp, 5x8 Cvg, Enotify, P&L Disc	11 - 15	\$1,429
W1FL48NEDX-0020	Flex: 4 Hr Rsp, 5x8 Cvg, Enotify, P&L Disc	16 - 20	\$1,711
W1FL48NEDX-0030	Flex: 4 Hr Rsp, 5x8 Cvg, Enotify, P&L Disc	21 - 30	\$2,046
W1FL48NEDX-0050	Flex: 4 Hr Rsp, 5x8 Cvg, Enotify, P&L Disc	31 - 50	\$2,638
W1FL48NEDX-0080	Flex: 4 Hr Rsp, 5x8 Cvg, Enotify, P&L Disc	51 - 80	\$3,320
W1FL48NEDX-0160	Flex: 4 Hr Rsp, 5x8 Cvg, Enotify, P&L Disc	81 - 160	\$4,241
W1FL48NEXX-0010	Flex: 4 Hr Rsp, 5x8 Cvg, Enotify Only	6 - 10	\$1,146
W1FL48NEXX-0015	Flex: 4 Hr Rsp, 5x8 Cvg, Enotify Only	11 - 15	\$1,288
W1FL48NEXX-0020	Flex: 4 Hr Rsp, 5x8 Cvg, Enotify Only	16 - 20	\$1,552
W1FL48NEXX-0030	Flex: 4 Hr Rsp, 5x8 Cvg, Enotify Only	21 - 30	\$1,859
W1FL48NEXX-0050	Flex: 4 Hr Rsp, 5x8 Cvg, Enotify Only	31 - 50	\$2,404
W1FL48NEXX-0080	Flex: 4 Hr Rsp, 5x8 Cvg, Enotify Only	51 - 80	\$3,027
W1FL48NEXX-0160	Flex: 4 Hr Rsp, 5x8 Cvg, Enotify Only	81 - 160	\$3,848
W1FL48NXDX-0010	Flex: 4 Hr Rsp, 5x8 Cvg, P&L Disc Only	6 - 10	\$1,111
W1FL48NXDX-0015	Flex: 4 Hr Rsp, 5x8 Cvg, P&L Disc Only	11 - 15	\$1,270
W1FL48NXDX-0020	Flex: 4 Hr Rsp, 5x8 Cvg, P&L Disc Only	16 - 20	\$1,429
W1FL48NXDX-0030	Flex: 4 Hr Rsp, 5x8 Cvg, P&L Disc Only	21 - 30	\$1,693
W1FL48NXDX-0050	Flex: 4 Hr Rsp, 5x8 Cvg, P&L Disc Only	31 - 50	\$2,108
W1FL48NXDX-0080	Flex: 4 Hr Rsp, 5x8 Cvg, P&L Disc Only	51 - 80	\$2,612
W1FL48NXDX-0160	Flex: 4 Hr Rsp, 5x8 Cvg, P&L Disc Only	81 - 160	\$3,536
W1FL48NXXX-0010	Flex: 4 Hr Rsp, 5x8 Cvg Only	6 - 10	\$987
W1FL48NXXX-0015	Flex: 4 Hr Rsp, 5x8 Cvg Only	11 - 15	\$1,129
W1FL48NXXX-0020	Flex: 4 Hr Rsp, 5x8 Cvg Only	16 - 20	\$1,270
W1FL48NXXX-0030	Flex: 4 Hr Rsp, 5x8 Cvg Only	21 - 30	\$1,507
W1FL48NXXX-0050	Flex: 4 Hr Rsp, 5x8 Cvg Only	31 - 50	\$1,875
W1FL48NXXX-0080	Flex: 4 Hr Rsp, 5x8 Cvg Only	51 - 80	\$2,323
W1FL48NXXX-0160	Flex: 4 Hr Rsp, 5x8 Cvg Only	81 - 160	\$3,142
W1PA41NEDX-0010	Proactive Service Plan 4 Hr	6 - 10	\$2,552
W1PA41NEDX-0015	Proactive Service Plan 4 Hr	11 - 15	\$2,681
W1PA41NEDX-0020	Proactive Service Plan 4 Hr	16 - 20	\$3,086
W1PA41NEDX-0030	Proactive Service Plan 4 Hr	21 - 30	\$3,525
W1PA41NEDX-0050	Proactive Service Plan 4 Hr	31 - 50	\$4,250
W1PA41NEDX-0080	Proactive Service Plan 4 Hr	51 - 80	\$5,223
W1PA41NEDX-0160	Proactive Service Plan 4 Hr	81 - 160	\$6,438
W1PP41NEDX-0010	PowerTrust Preferred Service Plan 4 Hr	6 - 10	\$3,587
W1PP41NEDX-0015	PowerTrust Preferred Service Plan 4 Hr	11 - 15	\$3,651
W1PP41NEDX-0020	PowerTrust Preferred Service Plan 4 Hr	16 - 20	\$4,144
W1PP41NEDX-0030	PowerTrust Preferred Service Plan 4 Hr	21 - 30	\$6,056
W1PP41NEDX-0050	PowerTrust Preferred Service Plan 4 Hr	31 - 50	\$6,824
W1PP41NEDX-0080	PowerTrust Preferred Service Plan 4 Hr	51 - 80	\$7,974
W1PP41NEDX-0160	PowerTrust Preferred Service Plan 4 Hr	81 - 160	\$9,276
W1PP41ZEDX-0030	PowerTrust Preferred Service Plan 4 Hr Int Batt	31 - 50	\$4,628
W1PP41ZEDX-0050	PowerTrust Preferred Service Plan 4 Hr Int Batt	21 - 30	\$5,398
W1PP41ZEDX-0080	PowerTrust Preferred Service Plan 4 Hr Int Batt	51 - 80	\$6,548
W1PT42NEDX-0010	PowerTrust Service Plan 4 Hr	6 - 10	\$2,306
W1PT42NEDX-0015	PowerTrust Service Plan 4 Hr	11 - 15	\$2,504
W1PT42NEDX-0020	PowerTrust Service Plan 4 Hr	16 - 20	\$2,910
W1PT42NEDX-0030	PowerTrust Service Plan 4 Hr	21 - 30	\$4,107

SERVICES

Three-phase Service Plans (continued)

SCHEDULED SERVICES & ONSITE SERVICE PLANS (CONCURRENT) (continued)

Style Number	Description	Range	List Price
First Year UPS Coverage (4-hour response, 5x8 and 7x24) continued			
W1PT42NEDX-0050	PowerTrust Service Plan 4 Hr	31 - 50	\$4,877
W1PT42NEDX-0080	PowerTrust Service Plan 4 Hr	51 - 80	\$5,805
W1PT42NEDX-0160	PowerTrust Service Plan 4 Hr	81 - 160	\$7,020
W1PT42ZEDX-0030	PowerTrust Service Plan 4 Hr Int Batt	31 - 50	\$3,393
W1PT42ZEDX-0050	PowerTrust Service Plan 4 Hr Int Batt	21 - 30	\$4,163
W1PT42ZEDX-0080	PowerTrust Service Plan 4 Hr Int Batt	51 - 80	\$5,091
First Year Preventive Maintenance			
W10005NEXT	Sealed Battery Preventive Maintenance, Any Time	EBM	\$786
W10005NIDC-9390	IDC Preventive Maintenance, After Hours (7x24)	IDC	\$398
W10005NINT	Sealed Battery Preventive Maintenance, Any Time	INT	\$766
W10005NPCX-0010	UPS Performance Check, After Hours (7x24)	6 - 10	\$828
W10005NPCX-0015	UPS Performance Check, After Hours (7x24)	11 - 15	\$776
W10005NPCX-0020	UPS Performance Check, After Hours (7x24)	16 - 20	\$846
W10005NPCX-0030	UPS Performance Check, After Hours (7x24)	21 - 30	\$882
W10005NPCX-0050	UPS Performance Check, After Hours (7x24)	31 - 50	\$916
W10005NPCX-0080	UPS Performance Check, After Hours (7x24)	51 - 80	\$1,059
W10005NPCX-0160	UPS Performance Check, After Hours (7x24)	81 - 160	\$1,129
W10005NS020	Sealed Battery Preventive Maintenance, Any Time	20	\$356
W10005NS024	Sealed Battery Preventive Maintenance, Any Time	24	\$428
W10005NS030	Sealed Battery Preventive Maintenance, Any Time	30	\$536
W10005NS032	Sealed Battery Preventive Maintenance, Any Time	32	\$571
W10005NS036	Sealed Battery Preventive Maintenance, Any Time	36	\$642
W10005NS040	Sealed Battery Preventive Maintenance, Any Time	40	\$714
W10005NS048	Sealed Battery Preventive Maintenance, Any Time	48	\$771
W10005NS054	Sealed Battery Preventive Maintenance, Any Time	54	\$868
W10005NS060	Sealed Battery Preventive Maintenance, Any Time	60	\$964
W10005NS064	Sealed Battery Preventive Maintenance, Any Time	64	\$1,029
W10005NS072	Sealed Battery Preventive Maintenance, Any Time	72	\$1,156
W10005NS080	Sealed Battery Preventive Maintenance, Any Time	80	\$1,285
W10005NS090	Sealed Battery Preventive Maintenance, Any Time	90	\$1,205
W10005NS096	Sealed Battery Preventive Maintenance, Any Time	96	\$1,285
W10005NS108	Sealed Battery Preventive Maintenance, Any Time	108	\$1,445
W10005NS120	Sealed Battery Preventive Maintenance, Any Time	120	\$1,606
W10005NS128	Sealed Battery Preventive Maintenance, Any Time	128	\$1,483
W10005NS144	Sealed Battery Preventive Maintenance, Any Time	144	\$1,671
W10005NS150	Sealed Battery Preventive Maintenance, Any Time	150	\$1,739
W10005NS216	Sealed Battery Preventive Maintenance, Any Time	216	\$2,506
W10005NXXX-0010	UPS Preventive Maintenance, After Hours (7x24)	6 - 10	\$1,037
W10005NXXX-0015	UPS Preventive Maintenance, After Hours (7x24)	11 - 15	\$970
W10005NXXX-0020	UPS Preventive Maintenance, After Hours (7x24)	16 - 20	\$1,059
W10005NXXX-0030	UPS Preventive Maintenance, After Hours (7x24)	21 - 30	\$1,103
W10005NXXX-0050	UPS Preventive Maintenance, After Hours (7x24)	31 - 50	\$1,146
W10005NXXX-0080	UPS Preventive Maintenance, After Hours (7x24)	51 - 80	\$1,323
W10005NXXX-0160	UPS Preventive Maintenance, After Hours (7x24)	81 - 160	\$1,410
W10005NXXX-RPP	RPP Preventive Maintenance, After Hours (7x24)	RPP	\$533
W10005NXXX-RPPB	RPP BCMS Preventive Maintenance, After Hours (7x24)	RPPB	\$681
W10006NIDC-9390	IDC Preventive Maintenance, Business Hours (5x8)	IDC	\$353
W10006NPCX-0010	UPS Performance Check, Business Hours (5x8)	6 - 10	\$828
W10006NPCX-0015	UPS Performance Check, Business Hours (5x8)	11 - 15	\$776
W10006NPCX-0020	UPS Performance Check, Business Hours (5x8)	16 - 20	\$846
W10006NPCX-0030	UPS Performance Check, Business Hours (5x8)	21 - 30	\$882
W10006NPCX-0050	UPS Performance Check, Business Hours (5x8)	31 - 50	\$916
W10006NPCX-0080	UPS Performance Check, Business Hours (5x8)	51 - 80	\$1,059
W10006NPCX-0160	UPS Performance Check, Business Hours (5x8)	81 - 160	\$1,129
W10006NXXX-0010	UPS Preventive Maintenance, Business Hours (5x8)	6 - 10	\$790

SERVICES**Three-phase Service Plans (continued)****SCHEDULED SERVICES & ONSITE SERVICE PLANS (CONCURRENT) (continued)**

Style Number	Description	Range	List Price
First Year Preventive Maintenance (continued)			
W10006NXXX-0015	UPS Preventive Maintenance, Business Hours (5x8)	11 - 15	\$795
W10006NXXX-0020	UPS Preventive Maintenance, Business Hours (5x8)	16 - 20	\$882
W10006NXXX-0030	UPS Preventive Maintenance, Business Hours (5x8)	21 - 30	\$970
W10006NXXX-0050	UPS Preventive Maintenance, Business Hours (5x8)	31 - 50	\$1,059
W10006NXXX-0080	UPS Preventive Maintenance, Business Hours (5x8)	51 - 80	\$1,191
W10006NXXX-0160	UPS Preventive Maintenance, Business Hours (5x8)	81 - 160	\$1,280
W10006NXXX-RPP	RPP Preventive Maintenance, Business Hours (5x8)	RPP	\$447
W10006NXXX-RPPB	RPP BCMS Preventive Maintenance, Business Hours (5x8)	RPPB	\$499
W1BP05NS048	PowerTrust Preferred Service Plan Battery PM Portion	48	\$114
W1BP05NS060	PowerTrust Preferred Service Plan Battery PM Portion	60	\$499
W1BP05NS064	PowerTrust Preferred Service Plan Battery PM Portion	64	\$628
W1BP05NS072	PowerTrust Preferred Service Plan Battery PM Portion	72	\$886
W1BP05NS080	PowerTrust Preferred Service Plan Battery PM Portion	80	\$1,142
W1BP05NS090	PowerTrust Preferred Service Plan Battery PM Portion	90	\$981
W1BP05NS096	PowerTrust Preferred Service Plan Battery PM Portion	96	\$1,142
W1BP05NS108	PowerTrust Preferred Service Plan Battery PM Portion	108	\$1,463
W1BP05NS120	PowerTrust Preferred Service Plan Battery PM Portion	120	\$1,784
W1BP05NS128	PowerTrust Preferred Service Plan Battery PM Portion	128	\$1,542
W1BP05NS144	PowerTrust Preferred Service Plan Battery PM Portion	144	\$1,913
W1BP05NS150	PowerTrust Preferred Service Plan Battery PM Portion	150	\$2,051
W1BP05NSEXT	PowerTrust Preferred Service Plan Battery PM Portion	EXT	\$1,534
W1BT06NS048	PowerTrust Service Plan Battery PM Portion	48	\$143
W1BT06NS060	PowerTrust Service Plan Battery PM Portion	60	\$356
W1BT06NS064	PowerTrust Service Plan Battery PM Portion	64	\$428
W1BT06NS072	PowerTrust Service Plan Battery PM Portion	72	\$571
W1BT06NS080	PowerTrust Service Plan Battery PM Portion	80	\$714
W1BT06NS090	PowerTrust Service Plan Battery PM Portion	90	\$892
W1BT06NS096	PowerTrust Service Plan Battery PM Portion	96	\$999
W1BT06NS108	PowerTrust Service Plan Battery PM Portion	108	\$1,213
W1BT06NS120	PowerTrust Service Plan Battery PM Portion	120	\$1,428
W1BT06NS128	PowerTrust Service Plan Battery PM Portion	128	\$1,569
W1BT06NS144	PowerTrust Service Plan Battery PM Portion	144	\$1,856
W1BT06NS150	PowerTrust Service Plan Battery PM Portion	150	\$1,962
W1BT06NSEXT	PowerTrust Service Plan Battery PM Portion	EXT	\$766
First Year UPS Upgrade Items (response upgrades, monitoring, discount adder)			
W1XX4XNXXX-0010	4 Hr Rsp Upgrade	6 - 10	\$246
W1XX4XNXXX-0015	4 Hr Rsp Upgrade	11 - 15	\$281
W1XX4XNXXX-0020	4 Hr Rsp Upgrade	16 - 20	\$318
W1XX4XNXXX-0030	4 Hr Rsp Upgrade	21 - 30	\$377
W1XX4XNXXX-0050	4 Hr Rsp Upgrade	31 - 50	\$467
W1XX4XNXXX-0080	4 Hr Rsp Upgrade	51 - 80	\$611
W1XX4XNXXX-0160	4 Hr Rsp Upgrade	81 - 160	\$798
W1XXXXNEXX-0010	Enotify Upgrade	6 - 10	\$159
W1XXXXNEXX-0015	Enotify Upgrade	11 - 15	\$159
W1XXXXNEXX-0020	Enotify Upgrade	16 - 20	\$281
W1XXXXNEXX-0030	Enotify Upgrade	21 - 30	\$351
W1XXXXNEXX-0050	Enotify Upgrade	31 - 50	\$529
W1XXXXNEXX-0080	Enotify Upgrade	51 - 80	\$706
W1XXXXNEXX-0160	Enotify Upgrade	81 - 160	\$706
W1XXXXNXDX-0010	Part&Labor Discount Upgrade	6 - 10	\$124
W1XXXXNXDX-0015	Part&Labor Discount Upgrade	11 - 15	\$142
W1XXXXNXDX-0020	Part&Labor Discount Upgrade	16 - 20	\$159
W1XXXXNXDX-0030	Part&Labor Discount Upgrade	21 - 30	\$188
W1XXXXNXDX-0050	Part&Labor Discount Upgrade	31 - 50	\$234
W1XXXXNXDX-0080	Part&Labor Discount Upgrade	51 - 80	\$291

SERVICES

Three-phase Service Plans (continued)

SCHEDULED SERVICES & ONSITE SERVICE PLANS (CONCURRENT) (continued)

Style Number	Description	Range	List Price
First Year UPS Upgrade Items (response upgrades, monitoring, discount adder) (continued)			
W1XXXXNXDX-0160	Part&Labor Discount Upgrade	81 - 160	\$394
W1FLXXNEDX-0010	Flex: Enotify, P&L Disc Only	6 - 10	\$281
W1FLXXNEDX-0015	Flex: Enotify, P&L Disc Only	11 - 15	\$301
W1FLXXNEDX-0020	Flex: Enotify, P&L Disc Only	16 - 20	\$440
W1FLXXNEDX-0030	Flex: Enotify, P&L Disc Only	21 - 30	\$541
W1FLXXNEDX-0050	Flex: Enotify, P&L Disc Only	31 - 50	\$762
W1FLXXNEDX-0080	Flex: Enotify, P&L Disc Only	51 - 80	\$995
W1FLXXNEDX-0160	Flex: Enotify, P&L Disc Only	81 - 160	\$1,100

Battery Labor and Full Battery Replacement Coverage (FBC)

W2BL07NAXX	2 Year Battery Labor Coverage Adder	Batteries below 200W/jar	\$531
W2BL07NBXX	3 Year Battery Labor Coverage Adder	Batteries 200W/jar and above	\$1,191
W2FB07CXXX-E36	Full Battery Coverage EBC 36, 9355	EBC 36	\$2,870
W2FB07CXXX-E72	Full Battery Coverage EBC 72, 9355	EBC 72	\$4,042
W2FB07NXXX-9E54	Full Battery Coverage EBC 54, 93E	54	\$3,143
W2FB07NXXX-9E72	Full Battery Coverage EBC 72, 93E	72	\$4,042
W2FB07NXXX-9E08	Full Battery Coverage EBC 108, 93E	107	\$5,837
W2FB07NXXX-IH34	Full Battery Coverage Internal, 9355 93E	Internal - 108 jars	\$2,123
W2FB07NXXX-IH44	Full Battery Coverage Internal, 9355 93E	Internal - 144 jars	\$2,881

FBC ordering notes: Full Battery Coverage (FBC) is priced per cabinet (40 jars)/per year, can only be bought when batteries are new (less than 6 months old) and requires purchase of module corrective coverage and an annual battery PM. FBC includes battery parts, freight and labor if battery fails or is rated below 80% of capacity; should be purchased in 5 year length.

Second Year+ UPS Coverage (Next Day response, 5x8 and 7x24)

W2FLN7NEDX-0010	Flex: Next Day Rsp, 7x24 Cvg, Enotify, P&L Disc	6 - 10	\$2,126
W2FLN7NEDX-0015	Flex: Next Day Rsp, 7x24 Cvg, Enotify, P&L Disc	11 - 15	\$2,382
W2FLN7NEDX-0020	Flex: Next Day Rsp, 7x24 Cvg, Enotify, P&L Disc	16 - 20	\$2,891
W2FLN7NEDX-0030	Flex: Next Day Rsp, 7x24 Cvg, Enotify, P&L Disc	21 - 30	\$3,460
W2FLN7NEDX-0050	Flex: Next Day Rsp, 7x24 Cvg, Enotify, P&L Disc	31 - 50	\$4,487
W2FLN7NEDX-0080	Flex: Next Day Rsp, 7x24 Cvg, Enotify, P&L Disc	51 - 80	\$5,614
W2FLN7NEDX-0160	Flex: Next Day Rsp, 7x24 Cvg, Enotify, P&L Disc	81 - 160	\$7,144
W2FLN7NEXX-0010	Flex: Next Day Rsp, 7x24 Cvg, Enotify Only	6 - 10	\$1,879
W2FLN7NEXX-0015	Flex: Next Day Rsp, 7x24 Cvg, Enotify Only	11 - 15	\$2,100
W2FLN7NEXX-0020	Flex: Next Day Rsp, 7x24 Cvg, Enotify Only	16 - 20	\$2,573
W2FLN7NEXX-0030	Flex: Next Day Rsp, 7x24 Cvg, Enotify Only	21 - 30	\$3,083
W2FLN7NEXX-0050	Flex: Next Day Rsp, 7x24 Cvg, Enotify Only	31 - 50	\$4,020
W2FLN7NEXX-0080	Flex: Next Day Rsp, 7x24 Cvg, Enotify Only	51 - 80	\$5,032
W2FLN7NEXX-0160	Flex: Next Day Rsp, 7x24 Cvg, Enotify Only	81 - 160	\$6,357
W2FLN7NXDX-0010	Flex: Next Day Rsp, 7x24 Cvg, P&L Disc Only	6 - 10	\$1,808
W2FLN7NXDX-0015	Flex: Next Day Rsp, 7x24 Cvg, P&L Disc Only	11 - 15	\$2,064
W2FLN7NXDX-0020	Flex: Next Day Rsp, 7x24 Cvg, P&L Disc Only	16 - 20	\$2,326
W2FLN7NXDX-0030	Flex: Next Day Rsp, 7x24 Cvg, P&L Disc Only	21 - 30	\$2,754
W2FLN7NXDX-0050	Flex: Next Day Rsp, 7x24 Cvg, P&L Disc Only	31 - 50	\$3,430
W2FLN7NXDX-0080	Flex: Next Day Rsp, 7x24 Cvg, P&L Disc Only	51 - 80	\$4,202
W2FLN7NXDX-0160	Flex: Next Day Rsp, 7x24 Cvg, P&L Disc Only	81 - 160	\$5,734
W2FLN7NXXX-0010	Flex: Next Day Rsp, 7x24 Cvg Only	6 - 10	\$1,561
W2FLN7NXXX-0015	Flex: Next Day Rsp, 7x24 Cvg Only	11 - 15	\$1,782
W2FLN7NXXX-0020	Flex: Next Day Rsp, 7x24 Cvg Only	16 - 20	\$2,008
W2FLN7NXXX-0030	Flex: Next Day Rsp, 7x24 Cvg Only	21 - 30	\$2,379
W2FLN7NXXX-0050	Flex: Next Day Rsp, 7x24 Cvg Only	31 - 50	\$2,962
W2FLN7NXXX-0080	Flex: Next Day Rsp, 7x24 Cvg Only	51 - 80	\$3,622
W2FLN7NXXX-0160	Flex: Next Day Rsp, 7x24 Cvg Only	81 - 160	\$4,946
W2FLN8NEDX-0010	Flex: Next Day Rsp, 5x8 Cvg, Enotify, P&L Disc	6 - 10	\$1,813
W2FLN8NEDX-0015	Flex: Next Day Rsp, 5x8 Cvg, Enotify, P&L Disc	11 - 15	\$2,026
W2FLN8NEDX-0020	Flex: Next Day Rsp, 5x8 Cvg, Enotify, P&L Disc	16 - 20	\$2,487
W2FLN8NEDX-0030	Flex: Next Day Rsp, 5x8 Cvg, Enotify, P&L Disc	21 - 30	\$2,986

SERVICES

Three-phase Service Plans (continued)

SCHEDULED SERVICES & ONSITE SERVICE PLANS (CONCURRENT) (continued)

Style Number	Description	Range	List Price
Second Year+ UPS Coverage (Next Day response, 5x8 and 7x24) (continued)			
W2FLN8NEDX-0050	Flex: Next Day Rsp, 5x8 Cvg, Enotify, P&L Disc	31 - 50	\$3,894
W2FLN8NEDX-0080	Flex: Next Day Rsp, 5x8 Cvg, Enotify, P&L Disc	51 - 80	\$4,891
W2FLN8NEDX-0160	Flex: Next Day Rsp, 5x8 Cvg, Enotify, P&L Disc	81 - 160	\$6,156
W2FLN8NEXX-0010	Flex: Next Day Rsp, 5x8 Cvg, Enotify Only	6 - 10	\$1,565
W2FLN8NEXX-0015	Flex: Next Day Rsp, 5x8 Cvg, Enotify Only	11 - 15	\$1,744
W2FLN8NEXX-0020	Flex: Next Day Rsp, 5x8 Cvg, Enotify Only	16 - 20	\$2,169
W2FLN8NEXX-0030	Flex: Next Day Rsp, 5x8 Cvg, Enotify Only	21 - 30	\$2,609
W2FLN8NEXX-0050	Flex: Next Day Rsp, 5x8 Cvg, Enotify Only	31 - 50	\$3,426
W2FLN8NEXX-0080	Flex: Next Day Rsp, 5x8 Cvg, Enotify Only	51 - 80	\$4,309
W2FLN8NEXX-0160	Flex: Next Day Rsp, 5x8 Cvg, Enotify Only	81 - 160	\$5,368
W2FLN8NXDX-0010	Flex: Next Day Rsp, 5x8 Cvg, P&L Disc Only	6 - 10	\$1,495
W2FLN8NXDX-0015	Flex: Next Day Rsp, 5x8 Cvg, P&L Disc Only	11 - 15	\$1,709
W2FLN8NXDX-0020	Flex: Next Day Rsp, 5x8 Cvg, P&L Disc Only	16 - 20	\$1,922
W2FLN8NXDX-0030	Flex: Next Day Rsp, 5x8 Cvg, P&L Disc Only	21 - 30	\$2,280
W2FLN8NXDX-0050	Flex: Next Day Rsp, 5x8 Cvg, P&L Disc Only	31 - 50	\$2,837
W2FLN8NXDX-0080	Flex: Next Day Rsp, 5x8 Cvg, P&L Disc Only	51 - 80	\$3,479
W2FLN8NXDX-0160	Flex: Next Day Rsp, 5x8 Cvg, P&L Disc Only	81 - 160	\$4,745
W2FLN8NXXX-0010	Flex: Next Day Rsp, 5x8 Cvg Only	6 - 10	\$1,247
W2FLN8NXXX-0015	Flex: Next Day Rsp, 5x8 Cvg Only	11 - 15	\$1,428
W2FLN8NXXX-0020	Flex: Next Day Rsp, 5x8 Cvg Only	16 - 20	\$1,604
W2FLN8NXXX-0030	Flex: Next Day Rsp, 5x8 Cvg Only	21 - 30	\$1,903
W2FLN8NXXX-0050	Flex: Next Day Rsp, 5x8 Cvg Only	31 - 50	\$2,369
W2FLN8NXXX-0080	Flex: Next Day Rsp, 5x8 Cvg Only	51 - 80	\$2,899
W2FLN8NXXX-0160	Flex: Next Day Rsp, 5x8 Cvg Only	81 - 160	\$3,958
W2PVN3NEXX-0010	PowerTrust Value Service Plan	6 - 10	\$3,143
W2PVN3NEXX-0015	PowerTrust Value Service Plan	11 - 15	\$3,331
W2PVN3NEXX-0020	PowerTrust Value Service Plan	16 - 20	\$3,934
W2PVN3NEXX-0030	PowerTrust Value Service Plan	21 - 30	\$4,549
W2PVN3NEXX-0050	PowerTrust Value Service Plan	31 - 50	\$5,543
W2PVN3NEXX-0080	PowerTrust Value Service Plan	51 - 80	\$6,688
W2PVN3NEXX-0160	PowerTrust Value Service Plan	81 - 160	\$7,925
W2PVN3NEXX-RPP	PowerTrust Value Service Plan	RPP	\$1,577
W2PVN3NEXX-RPPB	PowerTrust Value Service Plan	RPPB	\$1,859
Second Year+ UPS Coverage (8-hour response, 5x8 and 7x24)			
W2FL87NEDX-0010	Flex: 8 Hr Rsp, 7x24 Cvg, Enotify, P&L Disc	6 - 10	\$2,539
W2FL87NEDX-0015	Flex: 8 Hr Rsp, 7x24 Cvg, Enotify, P&L Disc	11 - 15	\$2,857
W2FL87NEDX-0020	Flex: 8 Hr Rsp, 7x24 Cvg, Enotify, P&L Disc	16 - 20	\$3,420
W2FL87NEDX-0030	Flex: 8 Hr Rsp, 7x24 Cvg, Enotify, P&L Disc	21 - 30	\$4,093
W2FL87NEDX-0050	Flex: 8 Hr Rsp, 7x24 Cvg, Enotify, P&L Disc	31 - 50	\$5,276
W2FL87NEDX-0080	Flex: 8 Hr Rsp, 7x24 Cvg, Enotify, P&L Disc	51 - 80	\$6,578
W2FL87NEDX-0160	Flex: 8 Hr Rsp, 7x24 Cvg, Enotify, P&L Disc	81 - 160	\$8,459
W2FL87NEXX-0010	Flex: 8 Hr Rsp, 7x24 Cvg, Enotify Only	6 - 10	\$2,291
W2FL87NEXX-0015	Flex: 8 Hr Rsp, 7x24 Cvg, Enotify Only	11 - 15	\$2,576
W2FL87NEXX-0020	Flex: 8 Hr Rsp, 7x24 Cvg, Enotify Only	16 - 20	\$3,104
W2FL87NEXX-0030	Flex: 8 Hr Rsp, 7x24 Cvg, Enotify Only	21 - 30	\$3,717
W2FL87NEXX-0050	Flex: 8 Hr Rsp, 7x24 Cvg, Enotify Only	31 - 50	\$4,807
W2FL87NEXX-0080	Flex: 8 Hr Rsp, 7x24 Cvg, Enotify Only	51 - 80	\$5,997
W2FL87NEXX-0160	Flex: 8 Hr Rsp, 7x24 Cvg, Enotify Only	81 - 160	\$7,673
W2FL87NXDX-0010	Flex: 8 Hr Rsp, 7x24 Cvg, P&L Disc Only	6 - 10	\$2,221
W2FL87NXDX-0015	Flex: 8 Hr Rsp, 7x24 Cvg, P&L Disc Only	11 - 15	\$2,541
W2FL87NXDX-0020	Flex: 8 Hr Rsp, 7x24 Cvg, P&L Disc Only	16 - 20	\$2,856
W2FL87NXDX-0030	Flex: 8 Hr Rsp, 7x24 Cvg, P&L Disc Only	21 - 30	\$3,388
W2FL87NXDX-0050	Flex: 8 Hr Rsp, 7x24 Cvg, P&L Disc Only	31 - 50	\$4,218
W2FL87NXDX-0080	Flex: 8 Hr Rsp, 7x24 Cvg, P&L Disc Only	51 - 80	\$5,168
W2FL87NXDX-0160	Flex: 8 Hr Rsp, 7x24 Cvg, P&L Disc Only	81 - 160	\$7,048

SERVICES

Three-phase Service Plans (continued)

SCHEDULED SERVICES & ONSITE SERVICE PLANS (CONCURRENT) (continued)

Style Number	Description	Range	List Price
Second Year+ UPS Coverage (8-hour response, 5x8 and 7x24) (continued)			
W2FL87NXXX-0010	Flex: 8 Hr Rsp, 7x24 Cvg Only	6 - 10	\$1,973
W2FL87NXXX-0015	Flex: 8 Hr Rsp, 7x24 Cvg Only	11 - 15	\$2,259
W2FL87NXXX-0020	Flex: 8 Hr Rsp, 7x24 Cvg Only	16 - 20	\$2,539
W2FL87NXXX-0030	Flex: 8 Hr Rsp, 7x24 Cvg Only	21 - 30	\$3,011
W2FL87NXXX-0050	Flex: 8 Hr Rsp, 7x24 Cvg Only	31 - 50	\$3,749
W2FL87NXXX-0080	Flex: 8 Hr Rsp, 7x24 Cvg Only	51 - 80	\$4,586
W2FL87NXXX-0160	Flex: 8 Hr Rsp, 7x24 Cvg Only	81 - 160	\$6,260
W2FL87NXXX-RPP	Flex: 8 Hr Rsp, 7x24 Cvg Only	RPP	\$1,089
W2FL87NXXX-RPPB	Flex: 8 Hr Rsp, 7x24 Cvg Only	RPPB	\$1,363
W2FL88NEDX-0010	Flex: 8 Hr Rsp, 5x8 Cvg, Enotify, P&L Disc	6 - 10	\$2,145
W2FL88NEDX-0015	Flex: 8 Hr Rsp, 5x8 Cvg, Enotify, P&L Disc	11 - 15	\$2,406
W2FL88NEDX-0020	Flex: 8 Hr Rsp, 5x8 Cvg, Enotify, P&L Disc	16 - 20	\$2,913
W2FL88NEDX-0030	Flex: 8 Hr Rsp, 5x8 Cvg, Enotify, P&L Disc	21 - 30	\$3,490
W2FL88NEDX-0050	Flex: 8 Hr Rsp, 5x8 Cvg, Enotify, P&L Disc	31 - 50	\$4,524
W2FL88NEDX-0080	Flex: 8 Hr Rsp, 5x8 Cvg, Enotify, P&L Disc	51 - 80	\$5,662
W2FL88NEDX-0160	Flex: 8 Hr Rsp, 5x8 Cvg, Enotify, P&L Disc	81 - 160	\$7,206
W2FL88NEXX-0010	Flex: 8 Hr Rsp, 5x8 Cvg, Enotify Only	6 - 10	\$1,897
W2FL88NEXX-0015	Flex: 8 Hr Rsp, 5x8 Cvg, Enotify Only	11 - 15	\$2,123
W2FL88NEXX-0020	Flex: 8 Hr Rsp, 5x8 Cvg, Enotify Only	16 - 20	\$2,596
W2FL88NEXX-0030	Flex: 8 Hr Rsp, 5x8 Cvg, Enotify Only	21 - 30	\$3,113
W2FL88NEXX-0050	Flex: 8 Hr Rsp, 5x8 Cvg, Enotify Only	31 - 50	\$4,056
W2FL88NEXX-0080	Flex: 8 Hr Rsp, 5x8 Cvg, Enotify Only	51 - 80	\$5,080
W2FL88NEXX-0160	Flex: 8 Hr Rsp, 5x8 Cvg, Enotify Only	81 - 160	\$6,419
W2FL88NIDX-0010	Flex: 8 Hr Rsp, 5x8 Cvg, P&L Disc Only	6 - 10	\$1,829
W2FL88NIDX-0015	Flex: 8 Hr Rsp, 5x8 Cvg, P&L Disc Only	11 - 15	\$2,089
W2FL88NIDX-0020	Flex: 8 Hr Rsp, 5x8 Cvg, P&L Disc Only	16 - 20	\$2,348
W2FL88NIDX-0030	Flex: 8 Hr Rsp, 5x8 Cvg, P&L Disc Only	21 - 30	\$2,784
W2FL88NIDX-0050	Flex: 8 Hr Rsp, 5x8 Cvg, P&L Disc Only	31 - 50	\$3,466
W2FL88NIDX-0080	Flex: 8 Hr Rsp, 5x8 Cvg, P&L Disc Only	51 - 80	\$4,248
W2FL88NIDX-0160	Flex: 8 Hr Rsp, 5x8 Cvg, P&L Disc Only	81 - 160	\$5,794
W2FL88NXXX-0010	Flex: 8 Hr Rsp, 5x8 Cvg Only	6 - 10	\$1,579
W2FL88NXXX-0015	Flex: 8 Hr Rsp, 5x8 Cvg Only	11 - 15	\$1,805
W2FL88NXXX-0020	Flex: 8 Hr Rsp, 5x8 Cvg Only	16 - 20	\$2,030
W2FL88NXXX-0030	Flex: 8 Hr Rsp, 5x8 Cvg Only	21 - 30	\$2,409
W2FL88NXXX-0050	Flex: 8 Hr Rsp, 5x8 Cvg Only	31 - 50	\$2,999
W2FL88NXXX-0080	Flex: 8 Hr Rsp, 5x8 Cvg Only	51 - 80	\$3,668
W2FL88NXXX-0160	Flex: 8 Hr Rsp, 5x8 Cvg Only	81 - 160	\$5,009
W2PA81NEDX-0010	Proactive Service Plan 8 Hr	6 - 10	\$4,611
W2PA81NEDX-0015	Proactive Service Plan 8 Hr	11 - 15	\$4,797
W2PA81NEDX-0020	Proactive Service Plan 8 Hr	16 - 20	\$5,536
W2PA81NEDX-0030	Proactive Service Plan 8 Hr	21 - 30	\$6,300
W2PA81NEDX-0050	Proactive Service Plan 8 Hr	31 - 50	\$7,567
W2PA81NEDX-0080	Proactive Service Plan 8 Hr	51 - 80	\$9,225
W2PA81NEDX-0160	Proactive Service Plan 8 Hr	81 - 160	\$11,281
W2PP81NEDX-0010	PowerTrust Preferred Service Plan 8 Hr	6 - 10	\$6,681
W2PP81NEDX-0015	PowerTrust Preferred Service Plan 8 Hr	11 - 15	\$9,591
W2PP81NEDX-0020	PowerTrust Preferred Service Plan 8 Hr	16 - 20	\$10,508
W2PP81NEDX-0030	PowerTrust Preferred Service Plan 8 Hr	21 - 30	\$11,357
W2PP81NEDX-0050	PowerTrust Preferred Service Plan 8 Hr	31 - 50	\$12,714
W2PP81NEDX-0080	PowerTrust Preferred Service Plan 8 Hr	51 - 80	\$14,725
W2PP81NEDX-0160	PowerTrust Preferred Service Plan 8 Hr	81 - 160	\$16,956
W2PP81ZEDX-0030	PowerTrust Preferred Service Plan 8 Hr Int Batt	31 - 50	\$8,505
W2PP81ZEDX-0050	PowerTrust Preferred Service Plan 8 Hr Int Batt	21 - 30	\$9,860
W2PP81ZEDX-0080	PowerTrust Preferred Service Plan 8 Hr Int Batt	51 - 80	\$11,871
W2PT82NEDX-0010	PowerTrust Service Plan 8 Hr	6 - 10	\$5,544
W2PT82NEDX-0015	PowerTrust Service Plan 8 Hr	11 - 15	\$5,872

SERVICES

Three-phase Service Plans (continued)

SCHEDULED SERVICES & ONSITE SERVICE PLANS (CONCURRENT) (continued)

Style Number	Description	Range	List Price
Second Year+ UPS Coverage (8-hour response, 5x8 and 7x24) (continued)			
W2PT82NEDX-0020	PowerTrust Service Plan 8 Hr	16 - 20	\$6,613
W2PT82NEDX-0030	PowerTrust Service Plan 8 Hr	21 - 30	\$7,459
W2PT82NEDX-0050	PowerTrust Service Plan 8 Hr	31 - 50	\$8,820
W2PT82NEDX-0080	PowerTrust Service Plan 8 Hr	51 - 80	\$10,386
W2PT82NEDX-0160	PowerTrust Service Plan 8 Hr	81 - 160	\$12,443
W2PT82NEDX-RPP	PowerTrust Service Plan 8 Hr	RPP	\$2,223
W2PT82NEDX-RPPB	PowerTrust Service Plan 8 Hr	RPPB	\$2,604
W2PT82ZEDX-0030	PowerTrust Service Plan 8 Hr Int Batt	31 - 50	\$6,032
W2PT82ZEDX-0050	PowerTrust Service Plan 8 Hr Int Batt	21 - 30	\$7,392
W2PT82ZEDX-0080	PowerTrust Service Plan 8 Hr Int Batt	51 - 80	\$8,958
Second Year+ UPS Coverage (4-hour response, 5x8 and 7x24)			
W2FL47NEDX-0010	Flex: 4 Hr Rsp, 7x24 Cvg, Enotify, P&L Disc	6 - 10	\$3,032
W2FL47NEDX-0015	Flex: 4 Hr Rsp, 7x24 Cvg, Enotify, P&L Disc	11 - 15	\$3,420
W2FL47NEDX-0020	Flex: 4 Hr Rsp, 7x24 Cvg, Enotify, P&L Disc	16 - 20	\$4,056
W2FL47NEDX-0030	Flex: 4 Hr Rsp, 7x24 Cvg, Enotify, P&L Disc	21 - 30	\$4,846
W2FL47NEDX-0050	Flex: 4 Hr Rsp, 7x24 Cvg, Enotify, P&L Disc	31 - 50	\$6,212
W2FL47NEDX-0080	Flex: 4 Hr Rsp, 7x24 Cvg, Enotify, P&L Disc	51 - 80	\$7,799
W2FL47NEDX-0160	Flex: 4 Hr Rsp, 7x24 Cvg, Enotify, P&L Disc	81 - 160	\$10,055
W2FL47NEXX-0010	Flex: 4 Hr Rsp, 7x24 Cvg, Enotify Only	6 - 10	\$2,786
W2FL47NEXX-0015	Flex: 4 Hr Rsp, 7x24 Cvg, Enotify Only	11 - 15	\$3,139
W2FL47NEXX-0020	Flex: 4 Hr Rsp, 7x24 Cvg, Enotify Only	16 - 20	\$3,738
W2FL47NEXX-0030	Flex: 4 Hr Rsp, 7x24 Cvg, Enotify Only	21 - 30	\$4,469
W2FL47NEXX-0050	Flex: 4 Hr Rsp, 7x24 Cvg, Enotify Only	31 - 50	\$5,743
W2FL47NEXX-0080	Flex: 4 Hr Rsp, 7x24 Cvg, Enotify Only	51 - 80	\$7,219
W2FL47NEXX-0160	Flex: 4 Hr Rsp, 7x24 Cvg, Enotify Only	81 - 160	\$9,267
W2FL47NXDX-0010	Flex: 4 Hr Rsp, 7x24 Cvg, P&L Disc Only	6 - 10	\$2,717
W2FL47NXDX-0015	Flex: 4 Hr Rsp, 7x24 Cvg, P&L Disc Only	11 - 15	\$3,104
W2FL47NXDX-0020	Flex: 4 Hr Rsp, 7x24 Cvg, P&L Disc Only	16 - 20	\$3,492
W2FL47NXDX-0030	Flex: 4 Hr Rsp, 7x24 Cvg, P&L Disc Only	21 - 30	\$4,140
W2FL47NXDX-0050	Flex: 4 Hr Rsp, 7x24 Cvg, P&L Disc Only	31 - 50	\$5,155
W2FL47NXDX-0080	Flex: 4 Hr Rsp, 7x24 Cvg, P&L Disc Only	51 - 80	\$6,389
W2FL47NXDX-0160	Flex: 4 Hr Rsp, 7x24 Cvg, P&L Disc Only	81 - 160	\$8,643
W2FL47NXXX-0010	Flex: 4 Hr Rsp, 7x24 Cvg Only	6 - 10	\$2,468
W2FL47NXXX-0015	Flex: 4 Hr Rsp, 7x24 Cvg Only	11 - 15	\$2,822
W2FL47NXXX-0020	Flex: 4 Hr Rsp, 7x24 Cvg Only	16 - 20	\$3,174
W2FL47NXXX-0030	Flex: 4 Hr Rsp, 7x24 Cvg Only	21 - 30	\$3,765
W2FL47NXXX-0050	Flex: 4 Hr Rsp, 7x24 Cvg Only	31 - 50	\$4,686
W2FL47NXXX-0080	Flex: 4 Hr Rsp, 7x24 Cvg Only	51 - 80	\$5,807
W2FL47NXXX-0160	Flex: 4 Hr Rsp, 7x24 Cvg Only	81 - 160	\$7,856
W2FL47NXXX-RPP	Flex: 4 Hr Rsp, 7x24 Cvg Only	RPP	\$1,363
W2FL47NXXX-RPPB	Flex: 4 Hr Rsp, 7x24 Cvg Only	RPPB	\$1,704
W2FL48NEDX-0010	Flex: 4 Hr Rsp, 5x8 Cvg, Enotify, P&L Disc	6 - 10	\$2,539
W2FL48NEDX-0015	Flex: 4 Hr Rsp, 5x8 Cvg, Enotify, P&L Disc	11 - 15	\$2,857
W2FL48NEDX-0020	Flex: 4 Hr Rsp, 5x8 Cvg, Enotify, P&L Disc	16 - 20	\$3,420
W2FL48NEDX-0030	Flex: 4 Hr Rsp, 5x8 Cvg, Enotify, P&L Disc	21 - 30	\$4,093
W2FL48NEDX-0050	Flex: 4 Hr Rsp, 5x8 Cvg, Enotify, P&L Disc	31 - 50	\$5,276
W2FL48NEDX-0080	Flex: 4 Hr Rsp, 5x8 Cvg, Enotify, P&L Disc	51 - 80	\$6,638
W2FL48NEDX-0160	Flex: 4 Hr Rsp, 5x8 Cvg, Enotify, P&L Disc	81 - 160	\$8,483
W2FL48NEXX-0010	Flex: 4 Hr Rsp, 5x8 Cvg, Enotify Only	6 - 10	\$2,291
W2FL48NEXX-0015	Flex: 4 Hr Rsp, 5x8 Cvg, Enotify Only	11 - 15	\$2,576
W2FL48NEXX-0020	Flex: 4 Hr Rsp, 5x8 Cvg, Enotify Only	16 - 20	\$3,104
W2FL48NEXX-0030	Flex: 4 Hr Rsp, 5x8 Cvg, Enotify Only	21 - 30	\$3,717
W2FL48NEXX-0050	Flex: 4 Hr Rsp, 5x8 Cvg, Enotify Only	31 - 50	\$4,807
W2FL48NEXX-0080	Flex: 4 Hr Rsp, 5x8 Cvg, Enotify Only	51 - 80	\$6,058
W2FL48NEXX-0160	Flex: 4 Hr Rsp, 5x8 Cvg, Enotify Only	81 - 160	\$7,696

SERVICES

Three-phase Service Plans (continued)

SCHEDULED SERVICES & ONSITE SERVICE PLANS (CONCURRENT) (continued)

Style Number	Description	Range	List Price
Second Year+ UPS Coverage (4-hour response, 5x8 and 7x24) (continued)			
W2FL48NXDX-0010	Flex: 4 Hr Rsp, 5x8 Cvg, P&L Disc Only	6 - 10	\$2,221
W2FL48NXDX-0015	Flex: 4 Hr Rsp, 5x8 Cvg, P&L Disc Only	11 - 15	\$2,541
W2FL48NXDX-0020	Flex: 4 Hr Rsp, 5x8 Cvg, P&L Disc Only	16 - 20	\$2,856
W2FL48NXDX-0030	Flex: 4 Hr Rsp, 5x8 Cvg, P&L Disc Only	21 - 30	\$3,388
W2FL48NXDX-0050	Flex: 4 Hr Rsp, 5x8 Cvg, P&L Disc Only	31 - 50	\$4,218
W2FL48NXDX-0080	Flex: 4 Hr Rsp, 5x8 Cvg, P&L Disc Only	51 - 80	\$5,226
W2FL48NXDX-0160	Flex: 4 Hr Rsp, 5x8 Cvg, P&L Disc Only	81 - 160	\$7,071
W2FL48NXXX-0010	Flex: 4 Hr Rsp, 5x8 Cvg Only	6 - 10	\$1,973
W2FL48NXXX-0015	Flex: 4 Hr Rsp, 5x8 Cvg Only	11 - 15	\$2,259
W2FL48NXXX-0020	Flex: 4 Hr Rsp, 5x8 Cvg Only	16 - 20	\$2,539
W2FL48NXXX-0030	Flex: 4 Hr Rsp, 5x8 Cvg Only	21 - 30	\$3,011
W2FL48NXXX-0050	Flex: 4 Hr Rsp, 5x8 Cvg Only	31 - 50	\$3,749
W2FL48NXXX-0080	Flex: 4 Hr Rsp, 5x8 Cvg Only	51 - 80	\$4,644
W2FL48NXXX-0160	Flex: 4 Hr Rsp, 5x8 Cvg Only	81 - 160	\$6,285
W2PA41NEDX-0010	Proactive Service Plan 4 Hr	6 - 10	\$5,104
W2PA41NEDX-0015	Proactive Service Plan 4 Hr	11 - 15	\$5,360
W2PA41NEDX-0020	Proactive Service Plan 4 Hr	16 - 20	\$6,172
W2PA41NEDX-0030	Proactive Service Plan 4 Hr	21 - 30	\$7,052
W2PA41NEDX-0050	Proactive Service Plan 4 Hr	31 - 50	\$8,503
W2PA41NEDX-0080	Proactive Service Plan 4 Hr	51 - 80	\$10,446
W2PA41NEDX-0160	Proactive Service Plan 4 Hr	81 - 160	\$12,877
W2PP41NEDX-0010	PowerTrust Preferred Service Plan 4 Hr	6 - 10	\$10,030
W2PP41NEDX-0015	PowerTrust Preferred Service Plan 4 Hr	11 - 15	\$10,154
W2PP41NEDX-0020	PowerTrust Preferred Service Plan 4 Hr	16 - 20	\$11,143
W2PP41NEDX-0030	PowerTrust Preferred Service Plan 4 Hr	21 - 30	\$12,109
W2PP41NEDX-0050	PowerTrust Preferred Service Plan 4 Hr	31 - 50	\$12,714
W2PP41NEDX-0080	PowerTrust Preferred Service Plan 4 Hr	51 - 80	\$14,727
W2PP41NEDX-0160	PowerTrust Preferred Service Plan 4 Hr	81 - 160	\$16,957
W2PP41ZEDX-0030	PowerTrust Preferred Service Plan 4 Hr Int Batt	31 - 50	\$9,257
W2PP41ZEDX-0050	PowerTrust Preferred Service Plan 4 Hr Int Batt	21 - 30	\$10,795
W2PP41ZEDX-0080	PowerTrust Preferred Service Plan 4 Hr Int Batt	51 - 80	\$13,092
W2PT42NEDX-0010	PowerTrust Service Plan 4 Hr	6 - 10	\$6,039
W2PT42NEDX-0015	PowerTrust Service Plan 4 Hr	11 - 15	\$6,435
W2PT42NEDX-0020	PowerTrust Service Plan 4 Hr	16 - 20	\$7,247
W2PT42NEDX-0030	PowerTrust Service Plan 4 Hr	21 - 30	\$8,212
W2PT42NEDX-0050	PowerTrust Service Plan 4 Hr	31 - 50	\$9,755
W2PT42NEDX-0080	PowerTrust Service Plan 4 Hr	51 - 80	\$11,607
W2PT42NEDX-0160	PowerTrust Service Plan 4 Hr	81 - 160	\$14,040
W2PT42NEDX-RPP	PowerTrust Service Plan 4 Hr	RPP	\$2,496
W2PT42NEDX-RPPB	PowerTrust Service Plan 4 Hr	RPPB	\$2,946
W2PT42ZEDX-0030	PowerTrust Service Plan 4 Hr Int Batt	31 - 50	\$6,786
W2PT42ZEDX-0050	PowerTrust Service Plan 4 Hr Int Batt	21 - 30	\$8,328
W2PT42ZEDX-0080	PowerTrust Service Plan 4 Hr Int Batt	51 - 80	\$10,181
Second Year+ UPS Upgrade Items (response upgrades, monitoring, discount adder)			
W2XX4XNXXX-0010	4 Hr Rsp Upgrade	6 - 10	\$494
W2XX4XNXXX-0015	4 Hr Rsp Upgrade	11 - 15	\$563
W2XX4XNXXX-0020	4 Hr Rsp Upgrade	16 - 20	\$634
W2XX4XNXXX-0030	4 Hr Rsp Upgrade	21 - 30	\$754
W2XX4XNXXX-0050	4 Hr Rsp Upgrade	31 - 50	\$937
W2XX4XNXXX-0080	4 Hr Rsp Upgrade	51 - 80	\$1,221
W2XX4XNXXX-0160	4 Hr Rsp Upgrade	81 - 160	\$1,596
W2XXXNEXX-0010	Enotify Upgrade	6 - 10	\$318
W2XXXNEXX-0015	Enotify Upgrade	11 - 15	\$318
W2XXXNEXX-0020	Enotify Upgrade	16 - 20	\$564
W2XXXNEXX-0030	Enotify Upgrade	21 - 30	\$706

SERVICES

Three-phase Service Plans (continued)

SCHEDULED SERVICES & ONSITE SERVICE PLANS (CONCURRENT) (continued)

Style Number	Description	Range	List Price
Second Year+ UPS Upgrade Items (response upgrades, monitoring, discount adder) (continued)			
W2XXXXNEXX-0050	Enotify Upgrade	31 - 50	\$1,057
W2XXXXNEXX-0080	Enotify Upgrade	51 - 80	\$1,410
W2XXXXNEXX-0160	Enotify Upgrade	81 - 160	\$1,410
W2XXXXNXDX-0010	Part&Labor Discount Upgrade	6 - 10	\$246
W2XXXXNXDX-0015	Part&Labor Discount Upgrade	11 - 15	\$281
W2XXXXNXDX-0020	Part&Labor Discount Upgrade	16 - 20	\$318
W2XXXXNXDX-0030	Part&Labor Discount Upgrade	21 - 30	\$377
W2XXXXNXDX-0050	Part&Labor Discount Upgrade	31 - 50	\$467
W2XXXXNXDX-0080	Part&Labor Discount Upgrade	51 - 80	\$580
W2XXXXNXDX-0160	Part&Labor Discount Upgrade	81 - 160	\$787
W2FLXXNEDX-0010	Flex: Enotify, P&L Disc Only	6 - 10	\$564
W2FLXXNEDX-0015	Flex: Enotify, P&L Disc Only	11 - 15	\$599
W2FLXXNEDX-0020	Flex: Enotify, P&L Disc Only	16 - 20	\$882
W2FLXXNEDX-0030	Flex: Enotify, P&L Disc Only	21 - 30	\$1,080
W2FLXXNEDX-0050	Flex: Enotify, P&L Disc Only	31 - 50	\$1,525
W2FLXXNEDX-0080	Flex: Enotify, P&L Disc Only	51 - 80	\$1,994
W2FLXXNEDX-0160	Flex: Enotify, P&L Disc Only	81 - 160	\$2,197
Second Year+ Preventive Maintenance			
W20005NEXT	Sealed Battery Preventive Maintenance, Any Time	EBM	\$1,428
W20005NIDC-9390	IDC Preventive Maintenance, After Hours (7x24)	IDC	\$793
W20005NINT	Sealed Battery Preventive Maintenance, Any Time	INT	\$1,428
W20005NPCX-0010	UPS Performance Check, After Hours (7x24)	6 - 10	\$1,657
W20005NPCX-0015	UPS Performance Check, After Hours (7x24)	11 - 15	\$1,552
W20005NPCX-0020	UPS Performance Check, After Hours (7x24)	16 - 20	\$1,693
W20005NPCX-0030	UPS Performance Check, After Hours (7x24)	21 - 30	\$1,765
W20005NPCX-0050	UPS Performance Check, After Hours (7x24)	31 - 50	\$1,833
W20005NPCX-0080	UPS Performance Check, After Hours (7x24)	51 - 80	\$2,118
W20005NPCX-0160	UPS Performance Check, After Hours (7x24)	81 - 160	\$2,258
W20005NS020	Sealed Battery Preventive Maintenance, Any Time	20	\$714
W20005NS024	Sealed Battery Preventive Maintenance, Any Time	24	\$857
W20005NS030	Sealed Battery Preventive Maintenance, Any Time	30	\$1,070
W20005NS032	Sealed Battery Preventive Maintenance, Any Time	32	\$1,142
W20005NS036	Sealed Battery Preventive Maintenance, Any Time	36	\$1,285
W20005NS040	Sealed Battery Preventive Maintenance, Any Time	40	\$1,428
W20005NS048	Sealed Battery Preventive Maintenance, Any Time	48	\$1,541
W20005NS054	Sealed Battery Preventive Maintenance, Any Time	54	\$1,733
W20005NS060	Sealed Battery Preventive Maintenance, Any Time	60	\$1,927
W20005NS064	Sealed Battery Preventive Maintenance, Any Time	64	\$1,285
W20005NS072	Sealed Battery Preventive Maintenance, Any Time	72	\$2,313
W20005NS080	Sealed Battery Preventive Maintenance, Any Time	80	\$2,569
W20005NS090	Sealed Battery Preventive Maintenance, Any Time	90	\$2,409
W20005NS096	Sealed Battery Preventive Maintenance, Any Time	96	\$2,313
W20005NS108	Sealed Battery Preventive Maintenance, Any Time	108	\$2,891
W20005NS120	Sealed Battery Preventive Maintenance, Any Time	120	\$3,212
W20005NS128	Sealed Battery Preventive Maintenance, Any Time	128	\$2,969
W20005NS144	Sealed Battery Preventive Maintenance, Any Time	144	\$3,339
W20005NS150	Sealed Battery Preventive Maintenance, Any Time	150	\$3,479
W20005NS216	Sealed Battery Preventive Maintenance, Any Time	216	\$5,010
W20005NXXX-0010	UPS Preventive Maintenance, After Hours (7x24)	6 - 10	\$2,072
W20005NXXX-0015	UPS Preventive Maintenance, After Hours (7x24)	11 - 15	\$1,940
W20005NXXX-0020	UPS Preventive Maintenance, After Hours (7x24)	16 - 20	\$2,116
W20005NXXX-0030	UPS Preventive Maintenance, After Hours (7x24)	21 - 30	\$2,205
W20005NXXX-0050	UPS Preventive Maintenance, After Hours (7x24)	31 - 50	\$2,291
W20005NXXX-0080	UPS Preventive Maintenance, After Hours (7x24)	51 - 80	\$2,647
W20005NXXX-0160	UPS Preventive Maintenance, After Hours (7x24)	81 - 160	\$2,822

SERVICES

Three-phase Service Plans (*continued*)

SCHEDULED SERVICES & ONSITE SERVICE PLANS (CONCURRENT) (*continued*)

Style Number	Description	Range	List Price
Second Year+ Preventive Maintenance (continued)			
W20005NXXX-RPP	RPP Preventive Maintenance, After Hours (7x24)	RPP	\$1,062
W20005NXXX-RPPB	RPP BCMS Preventive Maintenance, After Hours (7x24)	RPPB	\$1,363
W20006NIDC-9390	IDC Preventive Maintenance, Business Hours (5x8)	IDC	\$706
W20006NPCX-0010	UPS Performance Check, Business Hours (5x8)	6 - 10	\$1,657
W20006NPCX-0015	UPS Performance Check, Business Hours (5x8)	11 - 15	\$1,552
W20006NPCX-0020	UPS Performance Check, Business Hours (5x8)	16 - 20	\$1,693
W20006NPCX-0030	UPS Performance Check, Business Hours (5x8)	21 - 30	\$1,765
W20006NPCX-0050	UPS Performance Check, Business Hours (5x8)	31 - 50	\$1,833
W20006NPCX-0080	UPS Performance Check, Business Hours (5x8)	51 - 80	\$2,118
W20006NPCX-0160	UPS Performance Check, Business Hours (5x8)	81 - 160	\$2,258
W20006NXXX-0010	UPS Preventive Maintenance, Business Hours (5x8)	6 - 10	\$811
W20006NXXX-0015	UPS Preventive Maintenance, Business Hours (5x8)	11 - 15	\$1,326
W20006NXXX-0020	UPS Preventive Maintenance, Business Hours (5x8)	16 - 20	\$1,326
W20006NXXX-0030	UPS Preventive Maintenance, Business Hours (5x8)	21 - 30	\$1,622
W20006NXXX-0050	UPS Preventive Maintenance, Business Hours (5x8)	31 - 50	\$1,622
W20006NXXX-0080	UPS Preventive Maintenance, Business Hours (5x8)	51 - 80	\$2,027
W20006NXXX-0160	UPS Preventive Maintenance, Business Hours (5x8)	81 - 160	\$2,027
W20006NXXX-RPP	RPP Preventive Maintenance, Business Hours (5x8)	RPP, PDR	\$1,326
W20006NXXX-RPPB	RPP BCMS Preventive Maintenance, Business Hours (5x8)	RPP w/BCMS, EMS UGK	\$1,326
W2BP05NS048	PowerTrust Preferred Service Plan Battery PM Portion	48	\$229
W2BP05NS060	PowerTrust Preferred Service Plan Battery PM Portion	60	\$999
W2BP05NS064	PowerTrust Preferred Service Plan Battery PM Portion	64	\$1,255
W2BP05NS072	PowerTrust Preferred Service Plan Battery PM Portion	72	\$1,770
W2BP05NS080	PowerTrust Preferred Service Plan Battery PM Portion	80	\$2,283
W2BP05NS090	PowerTrust Preferred Service Plan Battery PM Portion	90	\$1,962
W2BP05NS096	PowerTrust Preferred Service Plan Battery PM Portion	96	\$2,283
W2BP05NS108	PowerTrust Preferred Service Plan Battery PM Portion	108	\$2,926
W2BP05NS120	PowerTrust Preferred Service Plan Battery PM Portion	120	\$3,568
W2BP05NS128	PowerTrust Preferred Service Plan Battery PM Portion	128	\$3,083
W2BP05NS144	PowerTrust Preferred Service Plan Battery PM Portion	144	\$3,824
W2BP05NS150	PowerTrust Preferred Service Plan Battery PM Portion	150	\$4,104
W2BP05NSEXT	PowerTrust Preferred Service Plan Battery PM Portion	EXT	\$3,069
W2BT06NS048	PowerTrust Service Plan Battery PM Portion	48	\$286
W2BT06NS060	PowerTrust Service Plan Battery PM Portion	60	\$714
W2BT06NS064	PowerTrust Service Plan Battery PM Portion	64	\$857
W2BT06NS072	PowerTrust Service Plan Battery PM Portion	72	\$1,142
W2BT06NS080	PowerTrust Service Plan Battery PM Portion	80	\$1,428
W2BT06NS090	PowerTrust Service Plan Battery PM Portion	90	\$1,784
W2BT06NS096	PowerTrust Service Plan Battery PM Portion	96	\$1,999
W2BT06NS108	PowerTrust Service Plan Battery PM Portion	108	\$2,426
W2BT06NS120	PowerTrust Service Plan Battery PM Portion	120	\$2,854
W2BT06NS128	PowerTrust Service Plan Battery PM Portion	128	\$3,140
W2BT06NS144	PowerTrust Service Plan Battery PM Portion	144	\$3,711
W2BT06NS150	PowerTrust Service Plan Battery PM Portion	150	\$3,924
W2BT06NSEXT	PowerTrust Service Plan Battery PM Portion	EXT	\$1,534

SERVICES

Three-phase Service Plans Overview

TIME AND MATERIAL SERVICE RATE SCHEDULE

The following rate schedule applies to all services rendered on non-contracted and non-warranty equipment and to all services performed on contracted equipment where the service performed is outside the scope of the contracted coverage. Labor rates are based on the actual time of delivery. Specific contract customers may be eligible for discounts on time and material charges.

3-Phase Products - Portal to Portal Labor per Hour (Onsite and Travel Time)	Current List Price
Mon. – Fri., Business Hours (8AM – 5PM):	\$270
Mon. – Fri., After Business Hours (5PM – 8AM):	\$345
Weekends and Holidays (Saturday 12:01AM – Sunday Midnight):	\$430

3-Phase Products - Minimum Labor Billing (minimum value range equal to above rates x hourly minimum)	
Equipment below 200kVA, Five day or less response (4 hour min.):	\$1,080 to \$1,720
Equipment 200kVA and above or Multi Module, Five day or less response (6 hour min.):	\$1,620 to \$2,580
Equipment 200kVA and above or Multi Module, Two day or less response (8 hour min.):	\$2,160 to \$3,440

1-Phase Products - Portal to Portal Labor per Hour (Onsite and Travel Time)	
Mon. – Fri., Business Hours (8AM – 5PM):	\$215
Mon. – Fri., After Business Hours (5PM – 8AM), Weekends and Holidays:	\$345

1-Phase Products - Minimum Labor Billing (minimum value range equal to above rates x hourly minimum)	
Equipment below 200kVA, Five day or less response (4 hour min.):	\$860 to \$1,380
Equipment 200kVA and above or Multi Module, Five day or less response (6 hour min.):	\$1,290 to \$2,070
Equipment 200kVA and above or Multi Module, Two day or less response (8 hour min.):	\$1,720 to \$2,760

Travel & Living Expenses	
Transportation:	
3-Phase Products:	Automobile mileage included in labor rates
1-Phase Products:	Automobile mileage at \$ 0.75 per mile
All others (air fare, car rental, tolls, etc.):	Actual
Lodging & Meals:	Actual

Calculation of Labor and Mileage Charges:	Portal to Portal (travel labor and mileage)
--	--

Materials/Spare Parts	Current List Price
Minimum billing:	\$130 Domestic, \$320 International

Parts Expedite Fees	
Mon. – Fri., Business Hours (8AM – 5PM):	\$130
Mon. – Fri., After Business Hours (5PM – 8AM):	\$290
Weekends and Holidays:	\$465

Freight Expense	
Freight – FOB Factory:	Actual
Same Day Delivery:	\$180 plus Actual Freight

Depot Repair Labor:	\$145 per hour
Minimum Billing:	\$145
Expediting Fee:	\$120

Note: Three-phase products include Eaton BladeUPS, Best Power Unity UT3; single-phase products include Eaton 9155, Powerware 9150, Best Power Unity UT3K, UT8K

RMA POLICY AND PRODUCT WARRANTIES

Sales Returned Merchandise Authorization (RMA) Policy

Written authority from Eaton must be obtained before any return or credit will be allowed.

Sales RMAs will be issued for new, unused equipment that is:

- A. Within 30 days of original shipment date
- B. Returned in original sealed packaging
- C. Returned in unmodified, untampered, original condition
- D. A current design

Cancellations and Erroneous Orders:

Any order for standard Eaton products may not be cancelled within thirty days of the date scheduled for shipment/delivery by Eaton. Otherwise the order may be cancelled in accordance with the following:

- Sales RMAs issued for cancellations and erroneous orders will be subject to a minimum 15% restocking/cancellation fee
- Restocking/cancellation fee for standard product will be 15%
- Restocking/cancellation fee for special, custom or configured products will be a minimum of 50%
- The buyer is responsible for both inbound and outbound freight charges

Note: Charges may be waived by mutual agreement between buyer and seller. Proper approval and authorization must be obtained and documented in writing before the transaction is initiated.

Erroneous Shipments:

Sales RMAs necessary as a result of shipping/order entry errors will be issued and transacted with no charge to the buyer. Eaton will pay inbound freight, and outbound freight will be similar service level as original shipment.

RMA Expiration:

An RMA is valid for 60 calendar days from date of authorization by Eaton, after which it is subject to cancellation.

Sales Contracts:

An active Sales Contract with clauses relating to return of product for sales credits may supersede the Sales RMA policy statements above.

To request a Sales RMA please contact:

Phone: 1.800.461.9166 x3412

Fax: 416-798-3532

Email: EPQCrma@Eaton.com

For repairs, warranties, and replacements:

Phone: 1.800.461.9166 - Option 4, 1

Fax: 416-798-3352

WARRANTY

Eaton Corporation Load Protection Guarantee (US and Canada)

UPS MODELS: 3105, 3S, 5S, 5SC, 5110, 5115, 5125, 5P, 5PX, 9130, 9135, 9140, 9PX, 9155, 9170+ AND FERRUPS

GUARANTOR: The Guarantor for the load protection guaranty set forth herein is Eaton ("Company").

LIMITED GUARANTY: This load protection guaranty (this "Guaranty") applies only to the original End-user (the "End-user") of any 3105, 3S, 5S, 5SC, 5110, 5115, 5125, 5130, 5P, 5PX, 9130, 9135, 9140, 9PX, 9155, 9170+ and FERRUPS Products (individually and collectively, the "Product") and cannot be transferred. This Guaranty applies even in the event that the Product is initially sold by Company for resale to an End-User.

WHAT THIS GUARANTY COVERS: For the lifetime of the Product, Guarantor promises to repair or replace, at Guarantor's option, the equipment (valued up to the limits shown below*) that is damaged by an AC power line surge, spike or other transient when properly connected to Guarantor's uninterruptible power system ("UPS"). Reimbursement for or restoration of data loss excluded. This Guaranty applies only if all of the following circumstances arise:

1. The UPS is plugged into properly grounded and wired outlets, using no extension cords, adapters, other ground wires or other electrical connectors;
2. The installation of the UPS complies with all applicable electrical and safety codes described by the National Electric Code (NEC);
3. The UPS was used under normal operating conditions and in accordance with all labels and instructions; and
4. The UPS was not damaged by accident (other than AC power line transient), misuse or abuse.

***Cumulative Limits to be paid by Guarantor under this Load Protection Guaranty:**

\$25,000 for UPS Model 3105 and 3S

\$150,000 for UPS Models 5SC, 5110, 5115, 5125, 5P and 5PX

\$250,000 for UPS Models 9130, 9135, 9140, 9PX, 9155, 9170+ and FERRUPS products

WHAT THIS GUARANTY DOES NOT COVER: Any reimbursement or repair to End-user's equipment does not include reimbursement for or restoration of any data loss. This Guaranty does not cover any defects or damages caused by: (a) failure to properly store the Product before installation, including the charge of batteries no later than the date indicated on the packaging; (b) shipping and delivery of the Product if shipping is FOB Factory; (c) neglect, accident, abuse, misuse, misapplication, or incorrect installation of Product; (d) repair or alteration of Product not authorized in writing by Company personnel or performed by an authorized Company Customer Service Engineer or Agent; (e) improper testing, operation, maintenance, adjustment, or modification of any kind to the Product not authorized in writing by Company personnel or performed by an authorized Company Customer Service Engineer or Agent; or (f) use of the Product under other than normal operating conditions or in a manner inconsistent with the Product's labels or instructions.

This Guaranty is not valid: (a) unless the End-user returns to Company the Warranty Registration Card or completes the registration form on www.powerquality.eaton.com/productregistration within thirty (30) days of purchase; or (b) if the Product's serial numbers have been removed or are illegible.

Company shall not be responsible for any charges for testing, checking, removal or installation of any items.

LIMITATION OF LIABILITY: THE REMEDIES OF THE END-USER SET FORTH HEREIN ARE EXCLUSIVE AND ARE THE SOLE REMEDIES FOR ANY FAILURE OF COMPANY TO COMPLY WITH ITS OBLIGATIONS HEREUNDER. EXCEPT AS OTHERWISE PROVIDED FOR IN THIS GUARANTY, IN NO EVENT SHALL COMPANY BE LIABLE IN CONTRACT, IN TORT (INCLUDING NEGLIGENCE OR STRICT LIABILITY) OR OTHERWISE FOR DAMAGE TO PROPERTY OR EQUIPMENT OTHER THAN THE PRODUCTS, INCLUDING LOSS OF PROFITS OR REVENUE, LOSS OF USE OF PRODUCTS, LOSS OF DATA, COST OF CAPITAL, CLAIMS OF CUSTOMERS OF THE END-USER OR ANY SPECIAL, INDIRECT, INCIDENTAL OR CONSEQUENTIAL DAMAGES WHATSOEVER. THE TOTAL CUMULATIVE LIABILITY OF COMPANY HEREUNDER WHETHER THE CLAIMS ARE BASED IN CONTRACT (INCLUDING INDEMNITY), IN TORT (INCLUDING NEGLIGENCE OR STRICT LIABILITY) OR OTHERWISE, SHALL NOT EXCEED THOSE SET FORTH ABOVE.

Company shall not be responsible for failure to provide repair or replacement under this Guaranty due to causes beyond Company's reasonable control.

END-USER'S OBLIGATIONS: In order to receive the benefits of this Guaranty, the End-user must use the Product in a normal way; follow the Product's operation and maintenance manual; and protect against further damage to the Product if there is a covered defect.

OTHER LIMITATIONS: Company's obligations under this Guaranty are expressly conditioned upon receipt by Company of all payments due to it (including interest charges, if any). During such time as Company has not received payment of any amount due to it for the Product, in accordance with the contract terms under which the Product is sold, Company shall have no obligation under this Guaranty.

COSTS NOT RELATED TO GUARANTY: The End-user shall be invoiced for, and shall pay for, all services not expressly provided for by the terms of this Guaranty, including without limitation, site calls involving an inspection that determines no corrective maintenance is required. Any costs for replacement equipment, installation, materials, freight charges, travel expenses or labor of Company representatives outside the terms of this Guaranty will be borne by the End-user.

TO MAKE A CLAIM: In the USA, call the Customer Reliability Center 7x24 at 800.356.5737. Outside of the USA, contact your local Eaton product sales or service representative, or call the Customer Reliability Center in the USA at 919.870.3149. For comments or questions about this Load Protection Guaranty, write to the Customer Quality Representative, 3301 Spring Forest Road, Raleigh, North Carolina 27616 USA.

WARRANTY

Limited Warranty

UPS MODELS: 3105, 3S, 5S, 5SC, 5110, 5115, 5125, 5P AND 5PX (USA AND CANADA)

WARRANTOR: The warrantor for the limited warranties set forth herein is Eaton ("Company").

LIMITED WARRANTY: This limited warranty (this "Warranty") applies only to the original End-user (the "End-user") of any 3105, 3S, 5S, 5SC, 5110, 5115, 5125, 5P and 5PX Products (individually and collectively, the "Product") purchased on or after August 19th, 2009, and cannot be transferred. This Warranty applies even in the event that the Product is initially sold by Company for resale to an End-user.

LIMITED WARRANTY PERIOD: The period covered by this Warranty for Product installed [and currently located] in the fifty (50) United States, the District of Columbia and Canada is twenty-four (24) months from the date of purchase, or thirty (30) months from the date of shipment. For units that are registered online at www.eaton.com/PQ/Register, the warranty is extended to thirty-six (36) months from the date of purchase, or forty-two (42) months from the date of shipment.

WHAT THIS LIMITED WARRANTY COVERS: The warrantor warrants that the Product and battery (individually and collectively, the "Warranted Items") are free of defects in material and workmanship. If, in the opinion of Company, a Warranted Item is defective and the defect is within the terms of this Warranty, Company's sole obligation will be to repair or replace such defective Warranted Item (including by providing service, parts and labor, as applicable), at the option of Company.

PROCEDURES FOR REPAIR OR REPLACEMENT OF WARRANTED ITEMS: The Warranted Item will be repaired or replaced at a Company site or such other location as determined by Company.

If the Warranted Item is to be replaced by Company, and the End-user supplies a credit card number or purchase order for the value of the replacement product, Company will use commercially reasonable business efforts to ship (via standard ground shipment and at no cost to the End-user) the replacement Warranted Item to the End-user within one (1) business day after Company receives notice of the warranty claim. In such case, the End-user must return (at Company's expense) the defective Warranted Item to Company in the same packaging as the replacement Warranted Item received by the End-user or as otherwise instructed by Company. If Company does not receive the defective Warranted Item, Company will either charge the End-user's credit card, or send the End-user an invoice (which the End-user agrees to pay), for the value of the replacement product.

If the Warranted Item is to be replaced by Company, but the End-user is unwilling or unable to supply a credit card number or purchase order for the value of the replacement product, Company will use commercially reasonable business efforts to ship (via standard ground shipment and at no cost to the End-user) the replacement Warranted Item to the End-user within one (1) business day after Company receives the defective product from the End-user.

In any case, Company will provide shipping instructions and will pay its designated carrier for all shipping charges for return of defective equipment and replacement of Warranted Items. Any returned Warranted Item or parts that are replaced may be new or reconditioned. All Warranted Items returned to Company and all parts replaced by Company shall become the property of Company.

WHAT THIS LIMITED WARRANTY DOES NOT COVER: This Warranty does not cover any defects or damages caused by: (a) failure to properly store the Product before installation, including the charge of batteries no later than the date indicated on the packaging; (b) shipping and delivery of the Product if shipping is FOB Factory; (c) neglect, accident, abuse, misuse, misapplication or incorrect installation; (d) repair or alteration not authorized in writing by Company personnel or performed by an authorized Company Customer Service Engineer or Agent; (e) improper testing, operation, maintenance, adjustment or modification of any kind not authorized in writing by Company personnel or performed by an authorized Company Customer Service Engineer or Agent; or (f) use of the Product under other than normal operating conditions or in a manner inconsistent with the Product's labels or instructions.

This Warranty is not valid if the Product's serial numbers have been removed or are illegible. Any Warranted Items repaired or replaced pursuant to this Warranty will be warranted for the remaining portion of the original Warranty subject to all the terms thereof.

WARRANTY

Limited Warranty (*continued*)

Company shall not be responsible for any charges for testing, checking, removal or installation of Warranted Items.

COMPANY DOES NOT WARRANT EQUIPMENT NOT MANUFACTURED BY COMPANY. IF PERMITTED BY THE APPLICABLE MANUFACTURER, COMPANY SHALL PASS THROUGH SUCH MANUFACTURER'S WARRANTIES TO END-USER.

COMPANY DOES NOT WARRANT SOFTWARE, INCLUDING SOFTWARE EMBEDDED IN PRODUCTS, THAT IS NOT CREATED BY COMPANY. WITHOUT LIMITING THE FOREGOING, COMPANY SPECIFICALLY DOES NOT WARRANT SOFTWARE (SUCH AS LINUX) THAT WAS CREATED USING AN "OPEN SOURCE" MODEL OR IS DISTRIBUTED PURSUANT TO AN OPEN SOURCE LICENSE.

THIS WARRANTY IS THE SOLE AND EXCLUSIVE WARRANTY OFFERED BY COMPANY WITH RESPECT TO THE PRODUCTS AND SERVICES AND, EXCEPT FOR SUCH FOREGOING WARRANTY COMPANY DISCLAIMS ALL OTHER WARRANTIES INCLUDING BUT NOT LIMITED TO ANY IMPLIED WARRANTIES OF MERCHANTABILITY, TITLE, NON-INFRINGEMENT AND FITNESS FOR A PARTICULAR PURPOSE. CORRECTION OF NON-CONFORMITIES IN THE MANNER AND FOR THE PERIOD OF TIME PROVIDED ABOVE SHALL CONSTITUTE COMPANY'S SOLE LIABILITY AND END-USER'S EXCLUSIVE REMEDY FOR FAILURE OF COMPANY TO MEET ITS WARRANTY OBLIGATIONS, WHETHER CLAIMS OF THE END-USER ARE BASED IN CONTRACT, IN TORT (INCLUDING NEGLIGENCE OR STRICT LIABILITY) OR OTHERWISE.

LIMITATION OF LIABILITY: The remedies of the End-user set forth herein are exclusive and are the sole remedies for any failure of Company to comply with its obligations hereunder. In no event shall Company be liable in contract, in tort (including negligence or strict liability) or otherwise for damage to property or equipment other than the Products, including loss of profits or revenue, loss of use of Products, loss of data, cost of capital, claims of customers of the End-user or any special, indirect, incidental or consequential damages whatsoever. The total cumulative liability of Company hereunder whether the claims are based in contract (including indemnity), in tort (including negligence or strict liability) or otherwise, shall not exceed the price of the Product on which such liability is based.

Company shall not be responsible for failure to provide service or parts due to causes beyond Company's reasonable control.

END-USER'S OBLIGATIONS: In order to receive the benefits of this Warranty, the End-user must use the Product in a normal way; follow the Product's operation and maintenance manual; and protect against further damage to the Product if there is a covered defect.

OTHER LIMITATIONS: Company's obligations under this Warranty are expressly conditioned upon receipt by Company of all payments due to it (including interest charges, if any). During such time as Company has not received payment of any amount due to it for the Product, in accordance with the contract terms under which the Product is sold, Company shall have no obligation under this Warranty. Also during such time, the period of this Warranty shall continue to run and the expiration of this Warranty shall not be extended upon payment of any overdue or unpaid amounts.

COSTS NOT RELATED TO WARRANTY: The End-user shall be invoiced for, and shall pay for, all services not expressly provided for by the terms of this Warranty, including without limitation, site calls involving an inspection that determines no corrective maintenance is required. Any costs for replacement equipment, installation, materials, freight charges, travel expenses or labor of Company representatives outside the terms of this Warranty will be borne by the End-user.

OBTAINING WARRANTY SERVICE: In the USA, call the Customer Reliability Center 7x24 at 800.843.9433. Outside of the USA, contact your local Eaton product sales or service representative, or call the Customer Reliability Center in the USA at 919.870.3028. For comments or questions about this Warranty, write to the Customer Quality Representative, 3301 Spring Forest Road, Raleigh, North Carolina 27616 USA.

WARRANTY

Two-Year Limited Warranty

UPS MODELS: 9130, 9135, 9140, 9PX AND FERRUPS UP TO 3.1 kVA (USA AND CANADA)

WARRANTOR: The warrantor for the limited warranties set forth herein is Eaton ("Company").

LIMITED WARRANTY: This limited warranty (this "Warranty") applies only to the original End-user (the "End-user") of any 9130, 9135, 9140, 9PX and FERRUPS up to 3.1 kVA Products (individually and collectively, the "Product") purchased on or after June 1, 2004, and cannot be transferred. This Warranty applies even in the event that the Product is initially sold by Company for resale to an End-user.

LIMITED WARRANTY PERIOD: The period covered by this Warranty for Product installed [and currently located] in the fifty (50) United States, the District of Columbia and Canada is twenty-four (24) months from the date of purchase, or thirty (30) months from the date of shipment.

WHAT THIS LIMITED WARRANTY COVERS: The warrantor warrants that the Product and battery (individually and collectively, the "Warranted Items") are free of defects in material and workmanship. If, in the opinion of Company, a Warranted Item is defective and the defect is within the terms of this Warranty, Company's sole obligation will be to repair or replace such defective Warranted Item (including by providing service, parts and labor, as applicable), at the option of Company.

PROCEDURES FOR REPAIR OR REPLACEMENT OF WARRANTED ITEMS: The Warranted Item will be repaired or replaced at a Company site or such other location as determined by Company.

If the Warranted Item is to be replaced by Company, and the End-user supplies a credit card number or purchase order for the value of the replacement product, Company will use commercially reasonable business efforts to ship (via standard ground shipment and at no cost to the End-user) the replacement Warranted Item to the End-user within one (1) business day after Company receives notice of the warranty claim. In such case, the End-user must return (at Company's expense) the defective Warranted Item to Company in the same packaging as the replacement Warranted Item received by the End-user or as otherwise instructed by Company. If Company does not receive the defective Warranted Item, Company will either charge the End-user's credit card, or send the End-user an invoice (which the End-user agrees to pay), for the value of the replacement product.

If the Warranted Item is to be replaced by Company, but the End-user is unwilling or unable to supply a credit card number or purchase order for the value of the replacement product, Company will use commercially reasonable business efforts to ship (via standard ground shipment and at no cost to the End-user) the replacement Warranted Item to the End-user within one (1) business day after Company receives the defective product from the End-user.

In any case, Company will provide shipping instructions and will pay its designated carrier for all shipping charges for return of defective equipment and replacement of Warranted Items. Any returned Warranted Item or parts that are replaced may be new or reconditioned. All Warranted Items returned to Company and all parts replaced by Company shall become the property of Company.

WHAT THIS LIMITED WARRANTY DOES NOT COVER: This Warranty does not cover any defects or damages caused by: (a) failure to properly store the Product before installation, including the charge of batteries no later than the date indicated on the packaging; (b) shipping and delivery of the Product if shipping is FOB Factory; (c) neglect, accident, abuse, misuse, misapplication or incorrect installation; (d) repair or alteration not authorized in writing by Company personnel or performed by an authorized Company Customer Service Engineer or Agent; (e) improper testing, operation, maintenance, adjustment or modification of any kind not authorized in writing by Company personnel or performed by an authorized Company Customer Service Engineer or Agent; or (f) use of the Product under other than normal operating conditions or in a manner inconsistent with the Product's labels or instructions.

This Warranty is not valid if the Product's serial numbers have been removed or are illegible. Any Warranted Items repaired or replaced pursuant to this Warranty will be warranted for the remaining portion of the original Warranty subject to all the terms thereof.

WARRANTY

Two-Year Limited Warranty (*continued*)

Company shall not be responsible for any charges for testing, checking, removal or installation of Warranted Items.

COMPANY DOES NOT WARRANT EQUIPMENT NOT MANUFACTURED BY COMPANY. IF PERMITTED BY THE APPLICABLE MANUFACTURER, COMPANY SHALL PASS THROUGH SUCH MANUFACTURER'S WARRANTIES TO END-USER.

COMPANY DOES NOT WARRANT SOFTWARE, INCLUDING SOFTWARE EMBEDDED IN PRODUCTS, THAT IS NOT CREATED BY COMPANY. WITHOUT LIMITING THE FOREGOING, COMPANY SPECIFICALLY DOES NOT WARRANT SOFTWARE (SUCH AS LINUX) THAT WAS CREATED USING AN "OPEN SOURCE" MODEL OR IS DISTRIBUTED PURSUANT TO AN OPEN SOURCE LICENSE.

THIS WARRANTY IS THE SOLE AND EXCLUSIVE WARRANTY OFFERED BY COMPANY WITH RESPECT TO THE PRODUCTS AND SERVICES AND, EXCEPT FOR SUCH FOREGOING WARRANTY COMPANY DISCLAIMS ALL OTHER WARRANTIES INCLUDING BUT NOT LIMITED TO ANY IMPLIED WARRANTIES OF MERCHANTABILITY, TITLE, NON-INFRINGEMENT AND FITNESS FOR A PARTICULAR PURPOSE. CORRECTION OF NON-CONFORMITIES IN THE MANNER AND FOR THE PERIOD OF TIME PROVIDED ABOVE SHALL CONSTITUTE COMPANY'S SOLE LIABILITY AND END-USER'S EXCLUSIVE REMEDY FOR FAILURE OF COMPANY TO MEET ITS WARRANTY OBLIGATIONS, WHETHER CLAIMS OF THE END-USER ARE BASED IN CONTRACT, IN TORT (INCLUDING NEGLIGENCE OR STRICT LIABILITY) OR OTHERWISE.

LIMITATION OF LIABILITY: The remedies of the End-user set forth herein are exclusive and are the sole remedies for any failure of Company to comply with its obligations hereunder. In no event shall Company be liable in contract, in tort (including negligence or strict liability) or otherwise for damage to property or equipment other than the Products, including loss of profits or revenue, loss of use of Products, loss of data, cost of capital, claims of customers of the End-user or any special, indirect, incidental or consequential damages whatsoever. The total cumulative liability of Company hereunder whether the claims are based in contract (including indemnity), in tort (including negligence or strict liability) or otherwise, shall not exceed the price of the Product on which such liability is based.

Company shall not be responsible for failure to provide service or parts due to causes beyond Company's reasonable control.

END-USER'S OBLIGATIONS: In order to receive the benefits of this Warranty, the End-user must use the Product in a normal way; follow the Product's operation and maintenance manual; and protect against further damage to the Product if there is a covered defect.

OTHER LIMITATIONS: Company's obligations under this Warranty are expressly conditioned upon receipt by Company of all payments due to it (including interest charges, if any). During such time as Company has not received payment of any amount due to it for the Product, in accordance with the contract terms under which the Product is sold, Company shall have no obligation under this Warranty. Also during such time, the period of this Warranty shall continue to run and the expiration of this Warranty shall not be extended upon payment of any overdue or unpaid amounts.

COSTS NOT RELATED TO WARRANTY: The End-user shall be invoiced for, and shall pay for, all services not expressly provided for by the terms of this Warranty, including without limitation, site calls involving an inspection that determines no corrective maintenance is required. Any costs for replacement equipment, installation, materials, freight charges, travel expenses or labor of Company representatives outside the terms of this Warranty will be borne by the End-user.

OBTAINING WARRANTY SERVICE: In the USA, call the Customer Reliability Center 7x24 at 800.843.9433. Outside of the USA, contact your local Eaton product sales or service representative, or call the Customer Reliability Center in the USA at 919.870.3028. For comments or questions about this Warranty, write to the Customer Quality Representative, 3301 Spring Forest Road, Raleigh, North Carolina 27616 USA.

WARRANTY

Two-Year Limited Warranty

UPS MODELS: 9155, 9170+ AND FERRUPS 4.3–18 kVA (USA AND CANADA)

WARRANTOR: The warrantor for the limited warranties set forth herein is Eaton (“Company”).

LIMITED WARRANTY: This limited warranty (this “Warranty”) applies only to the original end-user (the “End-user”) of any 9155, 9170 and FERRUPS 4.3–18 kVA Products (individually and collectively, the “Product”) purchased on or after June 1, 2004, and cannot be transferred. This Warranty applies even in the event that the Product is initially sold by Company for resale to an End-user.

LIMITED WARRANTY PERIOD: The period covered by this Warranty for Product installed [and currently located] in the fifty (50) United States, the District of Columbia and Canada is twenty-four (24) months from the date of purchase for parts, or thirty (30) months from the date of shipment for parts, and ninety (90) days from the date of purchase for labor, as further clarified in the following sections.

WHAT THIS LIMITED WARRANTY COVERS: The warrantor warrants that the Product and battery (individually and collectively, the “Warranted Items”) are free of defects in material and workmanship. If, in the opinion of Company, a Warranted Item is defective and the defect is within the terms of this Warranty, Company’s sole obligation will be to repair or replace such defective Warranted Items (including by providing service, parts and labor, as applicable), at the option of Company, and such repair or replacement shall be at either the End-user’s location, Company’s site, or such other location as determined by Company. All Warranted Items returned to Company and all parts replaced by Company shall become the property of Company. Expenses for any labor to repair the Warranted Item beyond the initial ninety (90) days are the sole responsibility of the End-user.

PROCEDURES FOR REPAIR OR REPLACEMENT OF WARRANTED ITEMS: When shipment is required of End-user: When Company determines that the Warranted Item will be repaired or replaced at a Company site or such other location, and the End-user must ship to Company the defective Warranted Item, the following procedures are required.

If the Warranted Item is to be replaced by Company, and the End-user supplies a credit card number or purchase order for the value of the replacement product, Company will use commercially reasonable business efforts to ship (via standard ground shipment and at no cost to the End-user) the replacement Warranted Item to the End-user within one (1) business day after Company receives notice of the warranty claim. In such case, the End-user must return (at Company’s expense) the defective Warranted Item to Company in the same packaging as the replacement Warranted Item received by the End-user or as otherwise instructed by Company. If Company does not receive the defective Warranted Item, Company will either charge the End-user’s credit card, or send the End-user an invoice (which the End-user agrees to pay), for the value of the replacement product.

If the Warranted Item is to be replaced by Company, but the End-user is unwilling or unable to supply a credit card number or purchase order for the value of the replacement product, Company will use commercially reasonable business efforts to ship (via standard ground shipment and at no cost to the End-user) the replacement Warranted Item to the End-user within one (1) business day after Company receives the defective product from the End-user.

In any case, Company will provide shipping instructions and will pay its designated carrier for all shipping charges for return of defective equipment and replacement of Warranted Items. Any returned Warranted Item or parts that are replaced may be new or reconditioned. All Warranted Items returned to Company and all parts replaced by Company shall become the property of Company.

WHAT THIS LIMITED WARRANTY DOES NOT COVER: This Warranty does not cover any defects or damages caused by: (a) failure to properly store the Product before installation, including the charge of batteries no later than the date indicated on the packaging; (b) shipping and delivery of the Product if shipping is FOB Factory; (c) neglect, accident, abuse, misuse, misapplication or incorrect installation; (d) repair or alteration not authorized in writing by Company personnel or performed by an authorized Company Customer Service Engineer or Agent; (e) improper testing, operation, maintenance, adjustment or modification of any kind not authorized in writing by Company personnel or performed by an authorized Company Customer Service Engineer or Agent; or (f) use of the Product under other than normal operating conditions or in a manner inconsistent with the Product’s labels or instructions.

This Warranty is not valid if the Product’s serial numbers have been removed or are illegible. Any Warranted Items repaired or replaced pursuant to this Warranty will be warranted for the remaining portion of the original Warranty subject to all the terms thereof.

Company shall not be responsible for any charges for testing, checking, removal or installation of Warranted Items.

WARRANTY

Two-Year Limited Warranty (*continued*)

COMPANY DOES NOT WARRANT EQUIPMENT NOT MANUFACTURED BY COMPANY. IF PERMITTED BY THE APPLICABLE MANUFACTURER, COMPANY SHALL PASS THROUGH SUCH MANUFACTURER'S WARRANTIES TO END-USER.

COMPANY DOES NOT WARRANT SOFTWARE, INCLUDING SOFTWARE EMBEDDED IN PRODUCTS, THAT IS NOT CREATED BY COMPANY. WITHOUT LIMITING THE FOREGOING, COMPANY SPECIFICALLY DOES NOT WARRANT SOFTWARE (SUCH AS LINUX) THAT WAS CREATED USING AN "OPEN SOURCE" MODEL OR IS DISTRIBUTED PURSUANT TO AN OPEN SOURCE LICENSE.

THIS WARRANTY IS THE SOLE AND EXCLUSIVE WARRANTY OFFERED BY COMPANY WITH RESPECT TO THE PRODUCTS AND SERVICES AND, EXCEPT FOR SUCH FOREGOING WARRANTY COMPANY DISCLAIMS ALL OTHER WARRANTIES INCLUDING BUT NOT LIMITED TO ANY IMPLIED WARRANTIES OF MERCHANTABILITY, TITLE, NON-INFRINGEMENT AND FITNESS FOR A PARTICULAR PURPOSE. CORRECTION OF NON-CONFORMITIES IN THE MANNER AND FOR THE PERIOD OF TIME PROVIDED ABOVE SHALL CONSTITUTE COMPANY'S SOLE LIABILITY AND END-USER'S EXCLUSIVE REMEDY FOR FAILURE OF COMPANY TO MEET ITS WARRANTY OBLIGATIONS, WHETHER CLAIMS OF THE END-USER ARE BASED IN CONTRACT, IN TORT (INCLUDING NEGLIGENCE OR STRICT LIABILITY), OR OTHERWISE.

LIMITATION OF LIABILITY: The remedies of the End-user set forth herein are exclusive and are the sole remedies for any failure of Company to comply with its obligations hereunder. In no event shall Company be liable in contract, in tort (including negligence or strict liability) or otherwise for damage to property or equipment other than the Products, including loss of profits or revenue, loss of use of Products, loss of data, cost of capital, claims of customers of the End-user or any special, indirect, incidental or consequential damages whatsoever. The total cumulative liability of Company hereunder whether the claims are based in contract (including indemnity), in tort (including negligence or strict liability) or otherwise, shall not exceed the price of the Product on which such liability is based.

Company shall not be responsible for failure to provide service or parts due to causes beyond Company's reasonable control.

END-USER'S OBLIGATIONS: In order to receive the benefits of this Warranty, the End-user must use the Product in a normal way; follow the Product's operation and maintenance manual; and protect against further damage to the Product if there is a covered defect.

OTHER LIMITATIONS: Company's obligations under this Warranty are expressly conditioned upon receipt by Company of all payments due to it (including interest charges, if any). During such time as Company has not received payment of any amount due to it for the Product, in accordance with the contract terms under which the Product is sold, Company shall have no obligation under this Warranty. Also during such time, the period of this Warranty shall continue to run and the expiration of this Warranty shall not be extended upon payment of any overdue or unpaid amounts.

COSTS NOT RELATED TO WARRANTY: The End-user shall be invoiced for, and shall pay for, all services not expressly provided for by the terms of this Warranty, including without limitation, site calls involving an inspection that determines no corrective maintenance is required. Any costs for replacement equipment, installation, materials, freight charges, travel expenses or labor of Company representatives outside the terms of this Warranty will be borne by the End-user.

OBTAINING WARRANTY SERVICE: In the USA, call the Customer Reliability Center 7x24 at 800.843.9433. Outside of the USA, contact your local Eaton product sales or service representative, or call the Customer Reliability Center in the USA at 919.870.3028. For comments or questions about this Warranty, write to the Customer Quality Representative, 3301 Spring Forest Road, Raleigh, North Carolina 27616 USA.

WARRANTY

Limited Warranty (Global)

UPS MODEL: BLADEUPS

WARRANTOR: The warrantor for the limited warranties set forth herein is Eaton (“Eaton”).

LIMITED WARRANTY: This limited warranty (this “Warranty”) applies only to the original Purchaser (the “End-user”) of any BladeUPS Products (individually and collectively, the “Product”) purchased and registered with Eaton and cannot be transferred. This restriction applies even in the event that the Product is initially sold by Eaton for resale to an End-user. This Warranty gives you specific legal rights, and you may also have other rights which vary from State to State (or jurisdiction to jurisdiction).

LIMITED WARRANTY PERIOD: The period covered by this Warranty for the Product is eighteen (18) months from date of Product shipment.

WHAT THIS LIMITED WARRANTY COVERS: Eaton warrants that the Product and battery (individually and collectively, the “Warranted Items”) are free of defects in material and workmanship. If, in the opinion of Eaton, a Warranted Item is defective and the defect is within the terms of this Warranty, Eaton’s sole obligation will be to repair or replace such defective Warranted Item (including providing service, parts and labor, as applicable), at the option of Eaton.

PROCEDURES FOR REPAIR OR REPLACEMENT OF WARRANTED ITEMS: The Warranted Item will be repaired or replaced at an Eaton site or such other location as determined by Eaton.

If the Warranted Item is to be replaced by Eaton, and the End-user supplies a credit card number or purchase order for the value of the replacement product, Eaton will use commercially reasonable business efforts to ship (via standard ground shipment and at no cost to the End-user) the replacement Warranted Item to the End-user within one (1) business day after Eaton receives notice of the warranty claim. In such case, the End-user must return (at Eaton’s expense) the defective Warranted Item to Eaton in the same packaging as the replacement Warranted Item received by the End-user or as otherwise instructed by Eaton. If Eaton does not receive the defective Warranted Item, Eaton will either charge the End-user’s credit card, or send the End-user an invoice (which the End-user agrees to pay), for the value of the replacement product.

If the Warranted Item is to be replaced by Eaton, but the End-user is unwilling or unable to supply a credit card number or purchase order for the value of the replacement product, Eaton will use commercially reasonable business efforts to ship (via standard ground shipment and at no cost to the End-user) the replacement Warranted Item to the End-user within one (1) business day after Eaton receives the defective product from the End-user.

In any case, Eaton will provide shipping instructions and will pay its designated carrier for all shipping charges for return of defective equipment and replacement of Warranted Items. Any returned Warranted Item or parts that are replaced may be new or re-conditioned. All Warranted Items returned to Eaton and, in any replacement endeavor, all parts removed by Eaton shall become the property of Eaton.

WHAT THIS LIMITED WARRANTY DOES NOT COVER: This Warranty does not cover any defects or damages caused by: (a) failure to properly store the Product before installation, including the charge of batteries no later than the date indicated on the packaging; (b) shipping and delivery of the Product if shipping is FOB Factory; (c) damage caused by fire, flood, lightning, vandalism, acts of God, End-user’s neglect, misuse, misapplication, incorrect connection or external damage; or that has been subject to repair or alteration by End-user (or a third party) not authorized by Eaton in writing; (d) repair or alteration not performed by an authorized Eaton Customer Service Engineer or Agent; (e) improper testing, operation, maintenance, adjustment or modification of any kind not authorized in writing by Eaton personnel or performed by an authorized Eaton Customer Service Engineer or Agent; or (f) use of the Product under other than normal operating conditions or in a manner inconsistent with the Product’s labels or instructions.

This Warranty is not valid if the Product’s serial numbers have been removed or are illegible. Any Warranted Items repaired or replaced pursuant to this Warranty will be warranted for the remaining portion of the original Warranty subject to all the terms thereof.

Eaton shall not be responsible for any charges for testing, checking, removal or installation of Warranted Items.

EATON DOES NOT WARRANT EQUIPMENT NOT MANUFACTURED BY EATON. IF PERMITTED BY THE APPLICABLE MANUFACTURER, EATON SHALL PASS THROUGH SUCH MANUFACTURER’S WARRANTIES TO END-USER.

WARRANTY

Limited Warranty (Global) *(continued)*

EATON DOES NOT WARRANT SOFTWARE, INCLUDING SOFTWARE EMBEDDED IN PRODUCTS, THAT IS NOT CREATED BY EATON. WITHOUT LIMITING THE FOREGOING, EATON SPECIFICALLY DOES NOT WARRANT SOFTWARE (SUCH AS LINUX) THAT WAS CREATED USING AN "OPEN SOURCE" MODEL OR IS DISTRIBUTED PURSUANT TO AN OPEN SOURCE LICENSE.

THIS WARRANTY IS THE SOLE AND EXCLUSIVE WARRANTY OFFERED BY EATON WITH RESPECT TO THE PRODUCTS AND SERVICES AND, EXCEPT FOR SUCH FOREGOING WARRANTY EATON DISCLAIMS ALL OTHER WARRANTIES INCLUDING BUT NOT LIMITED TO ANY IMPLIED WARRANTIES OF MERCHANTABILITY, TITLE, NON-INFRINGEMENT AND FITNESS FOR A PARTICULAR PURPOSE. CORRECTION OF NON-CONFORMITIES IN THE MANNER AND FOR THE PERIOD OF TIME PROVIDED ABOVE SHALL CONSTITUTE EATON'S SOLE LIABILITY AND END-USER'S EXCLUSIVE REMEDY FOR FAILURE OF EATON TO MEET ITS WARRANTY OBLIGATIONS, WHETHER CLAIMS OF THE END-USER ARE BASED IN CONTRACT, IN TORT (INCLUDING NEGLIGENCE OR STRICT LIABILITY) OR OTHERWISE. SOME STATES OR JURISDICTIONS DO NOT ALLOW THE EXCLUSION OF EXPRESS OR IMPLIED WARRANTIES, SO THE ABOVE EXCLUSION MAY NOT APPLY TO YOU. IN THAT EVENT, SUCH WARRANTIES ARE LIMITED IN DURATION TO THE LIMITED WARRANTY PERIOD. SOME STATES OR JURISDICTIONS DO NOT ALLOW LIMITATIONS ON HOW LONG AN IMPLIED WARRANTY LASTS OR THE EXCLUSION OR LIMITATION OF INCIDENTAL OR CONSEQUENTIAL DAMAGES, SO THE ABOVE LIMITATIONS AND/OR EXCLUSIONS MAY NOT APPLY TO YOU.

LIMITATION OF LIABILITY: The remedies of the End-user set forth herein are exclusive and are the sole remedies for any failure of Eaton to comply with its obligations hereunder. In no event shall Eaton be liable for any indirect, incidental, special or consequential damages of any kind or type whatsoever, resulting from or in connection with any claim or cause of action, whether brought in contract or in tort (including negligence or strict liability). Some States or jurisdictions do not allow the exclusion of limitation of incidental or consequential damages, so the above limitation or exclusion may not apply to you. Eaton shall not be responsible for failure to provide service or parts due to causes beyond Eaton's reasonable control. In no case will Eaton's liability under this Warranty exceed the replacement value of the Warranted Items.

END-USER'S OBLIGATIONS: In order to receive the benefits of this Warranty, the End-user must register the product warranty (via mail or online at www.eaton.com/powerquality "warranty registration"); use the Product in a normal way; follow the Product's operation and maintenance manual; and protect against further damage to the Product if there is a covered defect.

OTHER LIMITATIONS: Eaton's obligations under this Warranty are expressly conditioned upon receipt by Eaton of all payments due from End-user (including interest charges, if any). During such time as Eaton has not received payment of any amount due to it for the Product, in accordance with the contract terms under which the Product is sold, Eaton shall have no obligation under this Warranty. Also during such time, the period of this Warranty shall continue to run and the expiration of this Warranty shall not be extended upon payment of any overdue or unpaid amounts.

COSTS NOT RELATED TO WARRANTY: The End-user shall be invoiced for, and shall pay for, all services not expressly provided for by the terms of this Warranty, including without limitation, site calls involving an inspection that determines no corrective maintenance is required. Any costs for replacement equipment, installation, materials, freight charges, travel expenses or labor of Eaton representatives outside the terms of this Warranty will be borne by the End-User.

OBTAINING WARRANTY SERVICE: In the United States, call the Customer Reliability Center 7x24 at 800.356.5737. Outside of the United States, contact your local Eaton product sales or service representative, or call the Customer Reliability Center in the United States at 919.870.3028. For comments or questions about this Warranty, write to the Customer Quality Representative, 3301 Spring Forest Road, Raleigh, North Carolina 27616 USA.

WARRANTY

Two-Year Limited Warranty (USA and Canada)

CONNECTIVITY DEVICES

WARRANTOR: The warrantor for the limited warranties set forth herein is Eaton (“Company”).

LIMITED WARRANTY: This limited warranty (this “Warranty”) applies only to the original End-user (the “End-user”) of any 3, 5 and 9 series Connectivity Devices (the “Product”) purchased on or after June 1, 2004, and cannot be transferred. This Warranty applies even in the event that the Product is initially sold by Company for resale to an End-user.

LIMITED WARRANTY PERIOD: The period covered by this Warranty for the Product installed [and currently located] in the fifty (50) United States, the District of Columbia, and Canada is twenty-four (24) months from the date of purchase.

WHAT THIS LIMITED WARRANTY COVERS: The warrantor warrants that the Product (the “Warranted Item”) is free from defects in material and workmanship. If, in the opinion of Company, a Warranted Item is defective and the defect is within the terms of this Warranty, Company’s sole obligation will be to repair or replace such defective Warranted Item (including by providing service, parts and labor, as applicable), at the option of Company.

PROCEDURES FOR REPAIR OR REPLACEMENT OF WARRANTED ITEMS: The Warranted Item will be repaired or replaced at a Company site or such other location as determined by Company.

If the Warranted Item is to be replaced by Company, and the End-user supplies a credit card number or purchase order for the value of the replacement Product, Company will use commercially reasonable business efforts to ship (via standard ground shipment and at no cost to the End-user) the replacement Warranted Item to the End-user within one (1) business day after Company receives notice of the warranty claim. In such case, the End-user must return (at Company’s expense) the defective Warranted Item to Company in the same packaging as the replacement Warranted Item received by the End-user or as otherwise instructed by Company. If Company does not receive the defective Warranted Item, Company will either charge the End-user’s credit card, or send the End-User an invoice (which the End-user agrees to pay), for the value of the replacement Product.

If the Warranted Item is to be replaced by Company, but the End-user is unwilling or unable to supply a credit card number or purchase order for the value of the replacement Product, Company will use commercially reasonable business efforts to ship (via standard ground shipment and at no cost to the End-user) the replacement Warranted Item to the End-user within one (1) business day after Company receives the defective Product from the End-user.

In any case, Company will provide shipping instructions and will pay its designated carrier for all shipping charges for return of defective equipment and replacement of Warranted Items. Any returned Warranted Item or parts that are replaced may be new or reconditioned. All Warranted Items returned to Company and all parts replaced by Company shall become the property of Company.

WHAT THIS LIMITED WARRANTY DOES NOT COVER: This Warranty does not cover any defects or damages caused by: (a) failure to properly store the Product before installation; (b) shipping and delivery of the Product if shipping is FOB Factory; (c) neglect, accident, abuse, misuse, misapplication or incorrect installation; (d) repair or alteration not authorized in writing by Company personnel or performed by an authorized Company Customer Service Engineer or Agent; (e) improper testing, operation, maintenance, adjustment or modification of any kind not authorized in writing by Company personnel or performed by an authorized Company Customer Service Engineer or Agent; or (f) use of the Product under other than normal operating conditions or in a manner inconsistent with the Product’s labels or instructions.

This Warranty is not valid if the Product’s serial numbers have been removed or are illegible. Any Warranted Items repaired or replaced pursuant to this Warranty will be warranted for the remaining portion of the original Warranty subject to all the terms thereof.

Company shall not be responsible for any charges for testing, checking, removal or installation of Warranted Items.

COMPANY DOES NOT WARRANT EQUIPMENT NOT MANUFACTURED BY COMPANY. IF PERMITTED BY THE APPLICABLE MANUFACTURER,

COMPANY SHALL PASS THROUGH SUCH MANUFACTURER’S WARRANTIES TO END-USER.

COMPANY DOES NOT WARRANT SOFTWARE (IF APPLICABLE TO THE PRODUCT), INCLUDING SOFTWARE EMBEDDED IN PRODUCTS, THAT IS NOT CREATED BY COMPANY. WITHOUT LIMITING THE FOREGOING, COMPANY SPECIFICALLY DOES NOT WARRANT SOFTWARE (SUCH AS LINUX) THAT WAS CREATED USING AN “OPEN SOURCE” MODEL OR IS DISTRIBUTED PURSUANT TO AN OPEN SOURCE LICENSE.

WARRANTY

Two-Year Limited Warranty (USA and Canada) *(continued)*

COMPANY DOES NOT WARRANT SOFTWARE (IF APPLICABLE TO THE PRODUCT), INCLUDING SOFTWARE EMBEDDED IN PRODUCTS, THAT IS NOT CREATED BY COMPANY. WITHOUT LIMITING THE FOREGOING, COMPANY SPECIFICALLY DOES NOT WARRANT SOFTWARE (SUCH AS LINUX) THAT WAS CREATED USING AN "OPEN SOURCE" MODEL OR IS DISTRIBUTED PURSUANT TO AN OPEN SOURCE LICENSE.

THIS WARRANTY IS THE SOLE AND EXCLUSIVE WARRANTY OFFERED BY COMPANY WITH RESPECT TO THE PRODUCTS AND SERVICES AND, EXCEPT FOR SUCH FOREGOING WARRANTY COMPANY DISCLAIMS ALL OTHER WARRANTIES INCLUDING BUT NOT LIMITED TO ANY IMPLIED WARRANTIES OF MERCHANTABILITY, TITLE, NON-INFRINGEMENT, AND FITNESS FOR A PARTICULAR PURPOSE. CORRECTION OF NON-CONFORMITIES IN THE MANNER AND FOR THE PERIOD OF TIME PROVIDED ABOVE SHALL CONSTITUTE COMPANY'S SOLE LIABILITY AND END-USER'S EXCLUSIVE REMEDY FOR FAILURE OF COMPANY TO MEET ITS WARRANTY OBLIGATIONS, WHETHER CLAIMS OF THE END-USER ARE BASED IN CONTRACT, IN TORT (INCLUDING NEGLIGENCE OR STRICT LIABILITY), OR OTHERWISE.

LIMITATION OF LIABILITY: The remedies of the End-user set forth herein are exclusive and are the sole remedies for any failure of Company to comply with its obligations hereunder. In no event shall Company be liable in contract, in tort (including negligence or strict liability) or otherwise for damage to property or equipment other than the Products, including loss of profits or revenue, loss of use of Products, loss of data, cost of capital, claims of customers of the End-user or any special, indirect, incidental or consequential damages whatsoever. The total cumulative liability of Company hereunder whether the claims are based in contract (including indemnity), in tort (including negligence or strict liability) or otherwise, shall not exceed the price of the Product on which such liability is based.

Company shall not be responsible for failure to provide service or parts due to causes beyond Company's reasonable control.

END-USER'S OBLIGATIONS: In order to receive the benefits of this Warranty, the End-user must use the Product in a normal way; follow the Product's user's guide; and protect against further damage to the Product if there is a covered defect.

OTHER LIMITATIONS: Company's obligations under this Warranty are expressly conditioned upon receipt by Company of all payments due to it (including interest charges, if any). During such time as Company has not received payment of any amount due to it for the Product, in accordance with the contract terms under which the Product is sold, Company shall have no obligation under this Warranty. Also during such time, the period of this Warranty shall continue to run and the expiration of this Warranty shall not be extended upon payment of any overdue or unpaid amounts.

COSTS NOT RELATED TO WARRANTY: The End-User shall be invoiced for, and shall pay for, all services not expressly provided for by the terms of this Warranty, including without limitation, site calls involving an inspection that determines no corrective maintenance is required. Any costs for replacement equipment, installation, materials, freight charges, travel expenses or labor of Company representatives outside the terms of this Warranty will be borne by the End-User.

OBTAINING WARRANTY SERVICE: In the USA, call the Customer Reliability Center 7x24 at 800.356.5737. Outside of the USA, contact your local product sales or service representative, or call the Customer Reliability Center in the USA at 919.870.3149. For comments or questions about this Warranty, write to the Customer Quality Representative, 3301 Spring Forest Road, Raleigh, North Carolina 27616 USA.

WARRANTY

Limited Warranty (USA and Canada)

EPDU ENCLOSURE POWER DISTRIBUTION UNITS

WARRANTOR: The warrantor for the limited warranties set forth herein is Eaton ("Company").

RACKMOUNTED LIMITED WARRANTY: This limited warranty (this "Warranty") applies only to the original End-user (the "End-user") of any Eaton Rackmounted Power Distribution Units (the "Product") purchased on or after July 1, 2012, and cannot be transferred. This Warranty applies even in the event that the Product is initially sold by Company for resale to an End-user.

LIMITED WARRANTY PERIOD: The period covered by this Warranty for Product installed [and currently located] in the fifty (50) United States, the District of Columbia and Canada is twenty-four (24) months from the date of purchase, or thirty (30) months from the date of shipment. For units that are registered online at www.eaton.com/PQ/Register, the warranty is extended to thirty-six (36) months from the date of purchase, or fortytwo (42) months from the date of shipment.

WHAT THIS LIMITED WARRANTY COVERS: The warrantor warrants that the Product (the "Warranted Item") is free from defects in material and workmanship. If, in the opinion of Company, a Warranted Item is defective and the defect is within the terms of this Warranty, Company's sole obligation will be to repair or replace such defective Warranted Item (including by providing service, parts and labor, as applicable), at the option of Company.

PROCEDURES FOR REPAIR OR REPLACEMENT OF WARRANTED ITEMS:

Standard Product: Defined as ePDU product with the product number sequence PWxxxxxxx or eXXXXX, (whereas x can be any value). The Warranted item will be repaired or replaced by the Company.

Custom Product: Defined as ePDU product with any product number sequence that does not equal a standard product as noted above. The Warranted item will be repaired at a Company site or such other location as determined by Company.

If the Warranted Item is to be replaced by Company, and the End-user supplies a credit card number or purchase order for the value of the replacement Product, Company will use commercially reasonable business efforts to ship (via standard ground shipment and at no cost to the End-user) the replacement Warranted Item to the End-user within one (1) business day after Company receives notice of the warranty claim. In such case, the End-user must return (at Company's expense) the defective Warranted Item to Company in the same packaging as the replacement Warranted Item received by the End-user or as otherwise instructed by Company. If Company does not receive the defective Warranted Item, Company will either charge the End-user's credit card, or send the End-user an invoice (which the End-user agrees to pay), for the value of the replacement Product.

If the Warranted Item is to be replaced by Company, but the End-user is unwilling or unable to supply a credit card number or purchase order for the value of the replacement Product, Company will use commercially reasonable business efforts to ship (via standard ground shipment and at no cost to the End-user) the replacement Warranted Item to the End-user within one (1) business day after Company receives the defective Product from the End-user.

In any case, Company will provide shipping instructions and will pay its designated carrier for all shipping charges for return of defective equipment and replacement of Warranted Items. Any returned Warranted Item or parts that are replaced may be new or reconditioned. All Warranted Items returned to Company and all parts replaced by Company shall become the property of Company.

WHAT THIS LIMITED WARRANTY DOES NOT COVER: This Warranty does not cover any defects or damages caused by: (a) failure to properly store the Product before installation; (b) shipping and delivery of the Product if shipping is FOB Factory; (c) neglect, accident, abuse, misuse, misapplication or incorrect installation; (d) repair or alteration not authorized in writing by Company personnel or performed by an authorized Company Customer Service Engineer or Agent; (e) improper testing, operation, maintenance, adjustment or modification of any kind not authorized in writing by Company personnel or performed by an authorized Company Customer Service Engineer or Agent; or (f) use of the Product under other than normal operating conditions or in a manner inconsistent with the Product's labels or instructions.

This Warranty is not valid if the Product's serial numbers have been removed or are illegible. Any Warranted Items repaired or replaced pursuant to this Warranty will be warranted for the remaining portion of the original Warranty subject to all the terms thereof.

Company shall not be responsible for any charges for testing, checking, removal or installation of Warranted Items.

WARRANTY

Two-Year Limited Warranty (USA and Canada) *(continued)*

COMPANY DOES NOT WARRANT EQUIPMENT NOT MANUFACTURED BY COMPANY. IF PERMITTED BY THE APPLICABLE MANUFACTURER, COMPANY SHALL PASS THROUGH SUCH MANUFACTURER'S WARRANTIES TO END-USER.

COMPANY DOES NOT WARRANT SOFTWARE (IF APPLICABLE TO THE PRODUCT), INCLUDING SOFTWARE EMBEDDED IN PRODUCTS, THAT IS NOT CREATED BY COMPANY. WITHOUT LIMITING THE FOREGOING, COMPANY SPECIFICALLY DOES NOT WARRANT SOFTWARE (SUCH AS LINUX) THAT WAS CREATED USING AN "OPEN SOURCE" MODEL OR IS DISTRIBUTED PURSUANT TO AN OPEN SOURCE LICENSE.

THIS WARRANTY IS THE SOLE AND EXCLUSIVE WARRANTY OFFERED BY COMPANY WITH RESPECT TO THE PRODUCTS AND SERVICES AND, EXCEPT FOR SUCH FOREGOING WARRANTY COMPANY DISCLAIMS ALL OTHER WARRANTIES INCLUDING BUT NOT LIMITED TO ANY IMPLIED WARRANTIES OF MERCHANTABILITY, TITLE, NON-INFRINGEMENT AND FITNESS FOR A PARTICULAR PURPOSE. CORRECTION OF NON-CONFORMITIES IN THE MANNER AND FOR THE PERIOD OF TIME PROVIDED ABOVE SHALL CONSTITUTE COMPANY'S SOLE LIABILITY AND END-USER'S EXCLUSIVE REMEDY FOR FAILURE OF COMPANY TO MEET ITS WARRANTY OBLIGATIONS, WHETHER CLAIMS OF THE END-USER ARE BASED IN CONTRACT, IN TORT (INCLUDING NEGLIGENCE OR STRICT LIABILITY), OR OTHERWISE.

LIMITATION OF LIABILITY: The remedies of the End-user set forth herein are exclusive and are the sole remedies for any failure of Company to comply with its obligations hereunder. In no event shall Company be liable in contract, in tort (including negligence or strict liability) or otherwise for damage to property or equipment other than the Products, including loss of profits or revenue, loss of use of Products, loss of data, cost of capital, claims of customers of the End-user or any special, indirect, incidental or consequential damages whatsoever. The total cumulative liability of Company hereunder whether the claims are based in contract (including indemnity), in tort (including negligence or strict liability) or otherwise, shall not exceed the price of the Product on which such liability is based.

Company shall not be responsible for failure to provide service or parts due to causes beyond Company's reasonable control.

END-USER'S OBLIGATIONS: In order to receive the benefits of this Warranty, the End-user must use the Product in a normal way; follow the Product's user's guide; and protect against further damage to the Product if there is a covered defect.

OTHER LIMITATIONS: Company's obligations under this Warranty are expressly conditioned upon receipt by Company of all payments due to it (including interest charges, if any). During such time as Company has not received payment of any amount due to it for the Product, in accordance with the contract terms under which the Product is sold, Company shall have no obligation under this Warranty. Also during such time, the period of this Warranty shall continue to run and the expiration of this Warranty shall not be extended upon payment of any overdue or unpaid amounts.

COSTS NOT RELATED TO WARRANTY: The End-user shall be invoiced for, and shall pay for, all services not expressly provided for by the terms of this Warranty, including without limitation, site calls involving an inspection that determines no corrective maintenance is required. Any costs for replacement equipment, installation, materials, freight charges, travel expenses or labor of Company representatives outside the terms of this Warranty will be borne by the End-user.

OBTAINING WARRANTY SERVICE: In the USA, call the Customer Reliability Center 7x24 at 800.356.5737. Outside of the USA, contact your local Eaton product sales or service representative, or call the Customer Reliability Center in the USA at 919.870.3149. For comments or questions about this Warranty, write to the Customer Quality Representative, 3301 Spring Forest Road, Raleigh, North Carolina 27616 USA.

WARRANTY

Limited Factory Warranty For Eaton Three-phase UPS Products

THREE-PHASE PRODUCTS

WARRANTOR: The warrantor for the limited warranties set forth herein is Eaton ("Eaton").

LIMITED WARRANTY: This limited warranty (this "Warranty") applies only to the original End-user (the "End-user") of the Eaton three-phase UPS Products (the "Product") and cannot be transferred. This Warranty applies even in the event that the Product is initially sold by Eaton for resale to an End-user.

LIMITED WARRANTY PERIOD: The period covered by this Warranty for Product installed [and currently located] in the fifty (50) United States and the District of Columbia is twelve (12) months from the date of Product startup or eighteen (18) months from date of Product shipment, whichever occurs first, for parts coverage and 90 days from the date of Product startup for labor coverage. The period covered by this Warranty for Product installed [and currently located] outside of the fifty (50) United States and the District of Columbia is twelve (12) months from the date of Product startup or eighteen (18) months from date of Product shipment, whichever occurs first, for parts coverage.

WHAT THIS LIMITED WARRANTY COVERS: The warrantor warrants that the Eaton three-phase UPS electronics, Eaton-built accessories, and Eaton-built battery cabinets, (individually and collectively, the "Warranted Items") are free from defects in material and workmanship. If, in the opinion of Eaton, a Warranted Item is defective and the defect is within the terms of this Warranty, Eaton's sole obligation will be to repair or replace such defective item (including by providing service, parts and labor, as applicable), at the option of Eaton. The Warranted Item will be repaired or replaced onsite at the End-user's location or such other location as determined by Eaton. Any parts that are replaced may be new or reconditioned. All parts replaced by Eaton shall become the property of Eaton.

WHAT THIS LIMITED WARRANTY DOES NOT COVER: This Warranty does not cover any defects or damages caused by: (a) failure to properly store the Product before installation, including the "trickle charge" of batteries no later than the date indicated on the packaging; (b) shipping and delivery of the Product if shipping is FOB Factory; (c) neglect, accident, fire, flood, lightning, vandalism, acts of God, Customer's neglect, abuse, misuse, misapplication, incorrect installation; (d) repair or alteration, not authorized in writing by Eaton personnel or performed by an authorized Eaton Customer Service Engineer or Agent; or (e) improper testing, operation, maintenance, adjustment or any modification of any kind not authorized in writing by Eaton personnel or performed by an authorized Eaton Customer Service Engineer or Agent.

This Warranty is not valid: (a) unless an authorized Eaton Customer Service Engineer (in USA) or Agent (outside of USA) performs startup and commissioning of the Product; (b) if the Product is moved to a new location by someone other than an authorized Eaton Customer Service Engineer (in USA) or Agent (outside of USA); or (c) if the Product's serial numbers have been removed or are illegible. Any Warranted Items repaired or replaced pursuant to this Warranty will be warranted for the remaining portion of the original Warranty subject to all the terms thereof. Labor warranty is not provided for Product located outside of the fifty (50) United States or the District of Columbia. Any equipment, parts or materials included in the Product and not manufactured by Eaton are warranted solely by the manufacturer of such equipment, parts or materials and are not included as part of this warranty. Batteries are not warranted by Eaton.

THIS WARRANTY IS THE END-USER'S SOLE REMEDY AND IS EXPRESSLY IN LIEU OF, AND THERE ARE NO OTHER, EXPRESSED OR IMPLIED GUARANTEES OR WARRANTIES (INCLUDING ANY IMPLIED WARRANTY OF MERCHANTABILITY OR FITNESS FOR ANY PURPOSE, WHICH ARE EXPRESSLY DISCLAIMED).

LIMITATION OF LIABILITY: In no event shall Eaton be liable for any indirect, incidental, special or consequential damages of any kind or type whatsoever, or based on any claim or cause of action, however denominated. Eaton shall not be responsible for failure to provide service or parts due to causes beyond Eaton's reasonable control. In no case will Eaton's liability under this Warranty exceed the replacement value of the Warranted Items.

END-USER'S OBLIGATIONS: In order to receive the benefits of this Warranty, the End-user must use the Product in a normal way; follow the Product's operators and maintenance manual; and protect against further damage to the Product if there is a covered defect.

OTHER LIMITATIONS: Eaton's obligations under this Warranty are expressly conditioned upon receipt by Eaton of all payments due to it (including interest charges, if any). During such time as Eaton has not received payment of any amount due to it for the Product, in accordance with the contract terms under which the Product is sold, Eaton shall have no obligation under this Warranty. Also during such time, the period of this Warranty shall continue to run and the expiration of this Warranty shall not be extended upon payment of any overdue or unpaid amounts.

COSTS NOT RELATED TO WARRANTY: The End-user shall be invoiced for, and shall pay for, all services not expressly provided for by the terms of this Warranty, including without limitation, site calls involving an inspection that determines no corrective maintenance is required. Any costs for replacement equipment, installation, materials, freight charges, travel expenses or labor of Eaton representatives outside the terms of this Warranty will be borne by the End-user.

OBTAINING WARRANTY SERVICE: In the USA, call the Eaton Customer Reliability Center 7x24 at 800.843.9433. Outside of the USA, call your local Eaton sales or service representative, or call the Eaton Customer Reliability Center in the USA at 919.870.3028. For comment or questions about this Limited Factory Warranty, write to the Customer Quality Representative, 3301 Spring Forest Road, Raleigh, North Carolina 27616 USA.

WARRANTY

Limited Factory Warranty For Eaton 9355 UPS Products

9355

WARRANTOR: The warrantor for the limited warranties set forth herein is Eaton Corporation, an Ohio Corporation ("Eaton").

LIMITED WARRANTY: This limited warranty (this "Warranty") applies only to the original End-user (the "End-user") of the 9355 UPS Products (the "Product") and cannot be transferred. This Warranty applies even in the event that the Product is initially sold by Eaton for resale to an End-user.

WHAT THIS LIMITED WARRANTY COVERS: The warrantor warrants, within the terms of this Warranty, that the Eaton three-phase UPS electronics, Eaton-built accessories and Eaton-built battery cabinets, (individually and collectively, the "Warranted Items") are free from defects in material and workmanship.

For Product installed (and currently located) in the fifty (50) United States and the District of Columbia, if, in the opinion of Eaton, a Warranted Item is defective, Eaton's sole obligation, at the option of Eaton, will be to refurbish or replace such defective Warranted Item (including the costs of providing diagnosis, service, and labor ["labor coverage"]). The defective Warranted Item will be refurbished or replaced onsite at the End-user's location or such other location as determined by Eaton. Any parts that are replaced may be new or reconditioned. All parts replaced by Eaton shall become the property of Eaton.

For Product installed (and currently located) outside the fifty (50) United States and the District of Columbia, if, in the opinion of Eaton, a Warranted Item is defective, Eaton's sole obligation, at the option of Eaton, will be to refurbish or replace such defective Warranted Item. (not including the costs of labor coverage). The defective Warranted Item will be refurbished or replaced onsite at the End-User's location or such other location as determined by Eaton. Any parts that are replaced may be new or reconditioned. All parts replaced by Eaton shall become the property of Eaton.

LIMITED WARRANTY PERIOD:

The period covered by this Warranty for Product installed (and currently located) in the fifty (50) United States and the District of Columbia is ninety (90) days from the date of Product purchase for labor coverage and twelve (12) months from the date of Product purchase or eighteen (18) months from date of Product shipment, whichever occurs first, for the refurbishment/replacement of parts.

The period covered by this Warranty for Product installed (and currently located) outside of the fifty (50) United States and the District of Columbia is twelve (12) months from the date of Product purchase or eighteen (18) months from date of Product shipment, whichever occurs first, for the refurbishment/replacement of parts.

WHAT THIS LIMITED WARRANTY DOES NOT COVER:

This Warranty does not cover any defects or damages caused by: (a) failure to properly store the Product before installation, including the "trickle charge" of batteries no later than the date indicated on the packaging; (b) shipping and delivery of the Product if shipping is FOB Factory; (c) neglect, accident, fire, flood, lightning, vandalism, acts of God, Customer's neglect, abuse, misuse, misapplication, incorrect installation; (d) repair or alteration, not authorized in writing by Eaton personnel or performed by an authorized Eaton Customer Service Engineer or Agent; or (e) improper testing, operation, maintenance, adjustment or any modification of any kind not authorized in writing by Eaton personnel or performed by an authorized Eaton Customer Service Engineer or Agent.

This Warranty is not valid: if the Product's serial numbers have been removed or are illegible. Any Warranted Items repaired or replaced pursuant to this Warranty will be warranted for the remaining portion of the original Warranty subject to all the terms thereof. Labor warranty is not provided for Product located outside of the fifty (50) United States or the District of Columbia. **Any equipment, parts or materials included in the Product and not manufactured by Eaton are warranted solely by the manufacturer of such equipment, parts or materials and are not included as part of this warranty. Batteries are not warranted by Eaton.**

THIS WARRANTY IS THE END-USER'S SOLE REMEDY AND IS EXPRESSLY IN LIEU OF, AND THERE ARE NO OTHER, EXPRESSED OR IMPLIED GUARANTEES OR WARRANTIES (INCLUDING ANY IMPLIED WARRANTY OF MERCHANTABILITY OR FITNESS FOR ANY PURPOSE, WHICH ARE EXPRESSLY DISCLAIMED).

LIMITATION OF LIABILITY: In no event shall Eaton be liable for any indirect, incidental, special or consequential damages of any kind or type whatsoever, or based on any claim or cause of action, however denominated. Eaton shall not be responsible for failure to provide service or parts due to causes beyond Eaton's reasonable control. In no case will Eaton's liability under this Warranty exceed the replacement value of the Warranted Items.

WARRANTY

Limited Factory Warranty For Eaton 9355 UPS Products *(continued)*

END-USER'S OBLIGATIONS: In order to receive the benefits of this Warranty, the End-user must register the product warranty (via mail or online at www.eaton.com/powerquality "product registration"); use the Product in a normal way; follow the Product's operators and maintenance manual; and protect against further damage to the Product if there is a covered defect.

OTHER LIMITATIONS: Eaton's obligations under this Warranty are expressly conditioned upon receipt by Eaton of all payments due to it (including interest charges, if any). During such time as Eaton has not received payment of any amount due to it for the Product, in accordance with the contract terms under which the Product is sold, Eaton shall have no obligation under this Warranty. Also during such time, the period of this Warranty shall continue to run and the expiration of this Warranty shall not be extended upon payment of any overdue or unpaid amounts.

COSTS NOT RELATED TO WARRANTY: The End-user shall be invoiced for, and shall pay for, all services not expressly provided for by the terms of this Warranty, including without limitation, site calls involving an inspection that determines no corrective maintenance is required. Any costs for replacement equipment, installation, materials, freight charges, travel expenses or labor of Eaton representatives outside the terms of this Warranty will be borne by the End-user.

OBTAINING WARRANTY SERVICE: In the USA, call the Eaton Customer Reliability Center 7x24 at 800.843.9433. Outside of the USA, call your local Eaton sales or service representative, or call the Eaton Customer Reliability Center in the USA at 919.870.3028. For comment or questions about this Limited Factory Warranty, write to the Customer Quality Representative, 3301 Spring Forest Road, Raleigh, North Carolina 27616 USA.

WARRANTY

Limited Factory Warranty For Eaton 93E UPS Products

93E

WARRANTOR: The warrantor for the limited warranties set forth herein is Eaton ("Eaton").

LIMITED WARRANTY: This limited warranty (this "Warranty") applies only to the original Purchaser (the "End-User") of the Eaton 93E UPS Products (the "Product") and cannot be transferred. This restriction applies even in the event that the Product is initially sold by Eaton for resale to an End-User. This Warranty gives you specific legal rights, and you may also have other rights which vary from State to State (or jurisdiction to jurisdiction).

WHAT THIS LIMITED WARRANTY COVERS: Eaton warrants, within the terms of this Warranty, that the Eaton three-phase UPS electronics, Eaton-built accessories, and Eaton-built battery cabinets, (individually and collectively, the "Warranted Items") are free from defects in material and workmanship.

For Product installed (and currently located) in the fifty (50) United States and the District of Columbia, if, in the opinion of Eaton, a Warranted Item is defective, Eaton's sole obligation, at the option of Eaton, will be to refurbish or replace such defective Warranted Item (including the costs of providing diagnosis, service, and labor ["labor coverage"]). The defective Warranted Item will be refurbished or replaced onsite at the End-User's location or such other location as determined by Eaton. Any parts that are replaced may be new or reconditioned. In any replacement endeavor, all parts removed by Eaton shall become the property of Eaton.

For Product installed (and currently located) outside the fifty (50) United States and the District of Columbia, if, in the opinion of Eaton, a Warranted Item is defective, Eaton's sole obligation, at the option of Eaton, will be to refurbish or replace such defective Warranted Item. (not including the costs of labor coverage). The defective Warranted Item will be refurbished or replaced onsite at the End-User's location or such other location as determined by Eaton. Any parts that are replaced may be new or reconditioned. In any replacement endeavor, all parts removed by Eaton shall become the property of Eaton.

LIMITED WARRANTY PERIOD: The period covered by this Warranty for Product installed (and currently located) in the fifty (50) United States and the District of Columbia is six (6) months from the date of Product purchase for labor coverage when no startup is performed by an authorized Eaton Customer Service Engineer or Agent or twelve (12) months from the date of Product purchase with startup performed by an authorized Eaton Customer Service Engineer or Agent and twelve (12) months from the date of Product purchase or eighteen (18) months from date of Product shipment, whichever occurs first, for the refurbishment/replacement of parts.

The period covered by this Warranty for Product installed (and currently located) outside of the fifty (50) United States and the District of Columbia is twelve (12) months from the date of Product purchase or eighteen (18) months from date of Product shipment, whichever occurs first, for the refurbishment/replacement of parts.

WHAT THIS LIMITED WARRANTY DOES NOT COVER: This Warranty does not cover any defects or damages caused by: (a) failure to properly store the Product before installation, including the "trickle charge" of batteries no later than the date indicated on the packaging; (b) shipping and delivery of the Product if shipping is FOB Factory; (c) neglect, accident, fire, flood, lightning, vandalism, acts of God, End-User's neglect, abuse, misuse, misapplication, incorrect installation; (d) repair or alteration, not authorized in writing by Eaton personnel or performed by an authorized Eaton Customer Service Engineer or Agent; or (e) improper testing, operation, maintenance, adjustment, or any modification of any kind not authorized in writing by Eaton personnel or performed by an authorized Eaton Customer Service Engineer or Agent.

This Warranty is not valid: if the Product's serial numbers have been removed or are illegible. Any Warranted Items repaired or replaced pursuant to this Warranty will be warranted for the remaining portion of the original Warranty subject to all the terms thereof. Eaton does not provide a labor warranty for Product located outside of the fifty (50) United States or the District of Columbia. Any equipment, parts or materials included in the Product and not manufactured by Eaton are warranted solely by the manufacturer of such equipment, parts or materials and are not included as part of this Warranty. Batteries are not warranted by Eaton.

THIS WARRANTY IS THE END-USER'S SOLE REMEDY AND IS EXPRESSLY IN LIEU OF, AND THERE ARE NO OTHER, EXPRESSED OR IMPLIED GUARANTEES OR WARRANTIES (INCLUDING ANY IMPLIED WARRANTY OF MERCHANTABILITY OR FITNESS FOR ANY PURPOSE, WHICH ARE EXPRESSLY DISCLAIMED). SOME STATES OR JURISDICTIONS DO NOT ALLOW THE EXCLUSION OF EXPRESS OR IMPLIED WARRANTIES, SO THE ABOVE EXCLUSION MAY NOT APPLY TO YOU. IN THAT EVENT, SUCH WARRANTIES ARE LIMITED IN DURATION TO THE LIMITED WARRANTY PERIOD. SOME STATES OR JURISDICTIONS DO NOT ALLOW LIMITATIONS ON HOW LONG AN IMPLIED WARRANTY LASTS OR THE EXCLUSION OR LIMITATION OF INCIDENTAL OR CONSEQUENTIAL DAMAGES, SO THE ABOVE LIMITATIONS AND/OR EXCLUSIONS MAY NOT APPLY TO YOU.

LIMITATION OF LIABILITY: In no event shall Eaton be liable for any indirect, incidental, special or consequential damages of any kind or type whatsoever, resulting from or in connection with any claim or cause of action, whether brought in contract or in tort (including negligence and strict liability). Some States or jurisdictions do not allow the exclusion of limitation of incidental or consequential damages, so the above limitation or exclusion may not apply to you. Eaton shall not be responsible for failure to provide service or parts due to causes beyond Eaton's reasonable control. In no case will Eaton's liability under this Warranty exceed the replacement value of the Warranted Items.

WARRANTY

Limited Factory Warranty For Eaton 93E UPS Products (*continued*)

END-USER'S OBLIGATIONS: In order to receive the benefits of this Warranty, the End-User must register the product warranty (via mail or online at www.powerquality.eaton.com/Product-Registration "product registration"); use the Product in a normal way; follow the Product's operators and maintenance manual; and protect against further damage to the Product if there is a covered defect.

OTHER LIMITATIONS: Eaton's obligations under this Warranty are expressly conditioned upon receipt by Eaton of all payments due from End-User (including interest charges, if any). During such time as Eaton has not received payment of any amount due to it for the Product, in accordance with the contract terms under which the Product is sold, Eaton shall have no obligation under this Warranty. Also during such time, the period of this Warranty shall continue to run and the expiration of this Warranty shall not be extended upon payment of any overdue or unpaid amounts.

COSTS NOT RELATED TO WARRANTY: The End-User shall be invoiced for, and shall pay for, all services not expressly provided for by the terms of this Warranty, including without limitation, site calls involving an inspection that determines no corrective maintenance is required. Any costs for replacement equipment, installation, materials, freight charges, travel expenses or labor of Eaton representatives outside the terms of this Warranty will be borne by the End-User.

OBTAINING WARRANTY SERVICE: In the United States, call the Eaton Customer Reliability Center 7x24 at 800-843-9433. Outside of the United States, call your local Eaton sales or service representative, or call the Eaton Customer Reliability Center in the United States at 919-870-3028. For comment or questions about this Limited Factory Warranty, write to the Customer Quality Representative, 3301 Spring Forest Road, Raleigh, North Carolina 27616 USA.

WARRANTY

Pulsar series

LIMITED WARRANTY & PROPRIETARY RIGHTS FOR PULSAR SERIES SINGLE-PHASE PRODUCTS (T-11)

STANDARD LIMITED WARRANTY FORM (APPLICABLE WITHIN THE UNITED STATES, CANADA AND LATIN AMERICA)

EATON STANDARD SINGLE-PHASE LIMITED WARRANTY

Eaton warrants single phase products manufactured by Eaton to be free from defects in materials and workmanship for the following applicable time periods beginning with the date of purchase by or for the first End-user ("Purchaser"):

The following products are covered by a one (1) year warranty period:

- Power-Sure 700 Power Conditioners

The following products are covered by a two (2) year warranty period:

- Nova AVR, Evolution, Evolution S, EX, MX, MX Frame and EX RT
- Power-Suppress 100 Ultra-Isolator Noise Suppressors and Power-Sure 800 Power Conditioners

The following products are covered by a three (3) year warranty period:

- Eclipse Personal

The following products are covered by a five (5) year warranty period:

- Power-Suppress T7

The following products are covered by a ten (10) year warranty period;

- Eclipse Pro and Eclipse ProTel

The terms and conditions of this standard limited warranty also apply to extended warranty coverage for the Pulsar series.

Any defects in materials or workmanship must be reported to Eaton within the applicable warranty period. Where labor is not included in the warranty, any labor performed by Eaton shall be billed to Purchaser at, and Purchaser agrees to pay, Eaton standard labor rates then in effect for all warranty work performed hereunder. Eaton shall have the sole right to determine if any defective parts are to be repaired at the job site or whether they are to be returned to the factory for repair or replacement. All items returned to Eaton for repair or replacement must be sent freight prepaid to its factory. Purchaser must obtain Eaton Return Materials Authorization ("RMA") prior to returning items. The conditions stated herein must be met for Eaton warranty to be valid. Eaton will not be liable for any damage done by unauthorized repair work, unauthorized replacement parts, from any misapplication of the subject product, for damage due to accident, abuse or act of God (such as earthquake, flood, inclement weather, rain or fire), or relating to Purchaser's failure to follow proper environmental conditions for the product.

In no event shall Eaton be liable for loss, damage, or expense directly or indirectly arising from the use of or any defects in the subject product, or from any other cause, except as expressly stated in this warranty. EXCEPT AS EXPRESSLY STATED IN THIS WARRANTY, EATON MAKES NO WARRANTIES, EXPRESS OR IMPLIED, INCLUDING ANY WARRANTY AS TO MERCHANTABILITY OR FITNESS FOR A PARTICULAR PURPOSE OR USE OR NON-INFRINGEMENT. SOME STATES OR JURISDICTIONS DO NOT ALLOW THE EXCLUSION OF EXPRESS OR IMPLIED WARRANTIES, SO THE ABOVE EXCLUSION MAY NOT APPLY TO YOU. IN THAT EVENT, SUCH WARRANTIES ARE LIMITED IN DURATION TO THE LIMITED WARRANTY PERIOD. SOME STATES OR JURISDICTIONS DO NOT ALLOW LIMITATIONS ON HOW LONG AN IMPLIED WARRANTY LASTS OR THE EXCLUSION OR LIMITATION OF INCIDENTAL OR CONSEQUENTIAL DAMAGES, SO THE ABOVE LIMITATIONS AND/OR EXCLUSIONS MAY NOT APPLY TO YOU.

Eaton is not liable for and Purchaser waives any right of action it has or may have against Eaton for any consequential or special damages arising out of any breach of warranty, and for any damages Purchaser may claim for damage to any property or injury or death to any person arising out of its purchase or the use, operation or maintenance of the subject product. In no event will Eaton be liable for any labor subcontracted or performed by Purchaser for preparation of the warranted item for return to an Eaton factory or for preparation work for field repair or replacement, and Eaton will not be responsible to pay any invoice therefore. Some States and jurisdictions do not allow the exclusion or limitation of incidental or consequential damages, so the above limitation or exclusion may not apply to you.

This warranty shall be exclusive of any and all other warranties express or implied and may be modified only by a writing signed by an authorized officer of Eaton. This warranty shall extend to the Purchaser but to no one else. Accessories supplied by Eaton, but manufactured by others, carry any warranty the manufacturers have made to Eaton, and which can be passed on to Purchaser.

EATON makes no warranty with respect to whether the products sold hereunder infringe any patent, U.S. or foreign, and Purchaser represents that any

WARRANTY

Pulsar series (*continued*)

specially ordered products do not infringe any patent. Purchaser agrees to indemnify and hold EATON harmless from any liability by virtue of any patent claims where Purchaser has ordered a product conforming to Purchaser's specifications, or conforming to Purchaser's specific design. Purchaser has not relied and shall not rely on any oral representation regarding any products sold hereunder and any oral representation shall not bind EATON and shall not be part of any warranty.

This warranty gives you specific legal rights, and you may also have other rights which vary from State to State or jurisdiction to jurisdiction.

PROPRIETARY RIGHTS STATEMENT

The information in this manual is the property of EATON, and represents a proprietary article in which EATON retains any and all intellectual property rights, including exclusive rights of use and/or manufacture and/or sale. Possession of this information does not convey any permission to reproduce, print, manufacture, or have made the article or articles shown herein. Such permission may be granted only by specific written authorization signed by an authorized officer of EATON.

IBM, PC-AT, ES/9000, and AS/400 are trademarks of International Business Machines Corporation. Other trademarks that may be used herein are owned by their respective companies and are referred to in an editorial fashion only.

Eaton DPQD, 8709 Kerns Street, San Diego, CA 92154 · 800.279.7776 · www.eaton.com/powerquality · www.eaton.com/mgeops

For Single-phase Warranty applicable outside of the United States, Canada and Latin America, contact the appropriate EATON Regional Office.

Learn more at
powerquality.eaton.com
1.800.356.5794

Eaton

Electrical Sector
1111 Superior Avenue
Cleveland, OH 44114 USA
Eaton.com

8609 Six Forks Road
Raleigh, NC 27615 U.S.A.
Toll Free: 1.800.356.5794
Eaton.com

Eaton Industries (Canada) Company
Power Quality Division
380 Garlingview Drive
Toronto, ON M9W5X9 Canada
EatonCanada.ca

© 2014 Eaton
All Rights Reserved
Printed in USA
SLT02LTA_CAN
January 1, 2014

Eaton is a registered trademark
of Eaton.

All other trademarks are property
of their respective owners.