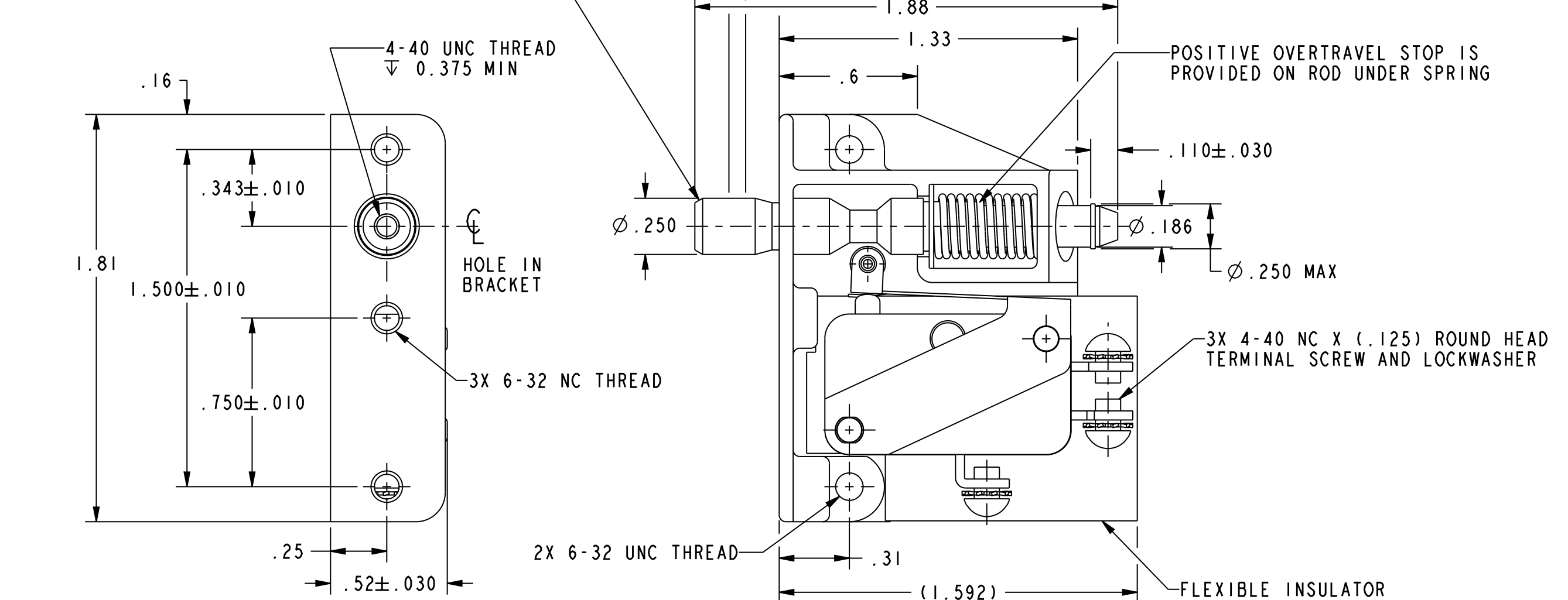


HONEYWELL PART NUMBER
23AC2
PRODUCT CODE
KC-R0030

REV	DOCUMENT	CHANGED BY	CHECK
4	0051824	DSK 04MAY09	CMH

PUSH TO OPERATE-RETURNS AUTOMATICALLY TO POSITION SHOWN  
 PULL TO OPERATE-REMAINS IN OPERATED POSITION UNTIL RESET FOR AUTOMATIC RETURN BY NEXT FULL STROKE "PUSH" OPERATION



- NOTES:-
- 1 - UNIT INCLUDES CATALOG LISTING V3-13 BASIC SWITCH (1)
  - 2 - NOTCH IN ACTUATOR ROD WILL PERMIT .035 DISPLACEMENT BETWEEN END OF ROD AND HOLE IN BRACKET
  - 3 - BASIC SWITCH PLASTIC PARTS ARE MADE OF MINERAL FILLED PHENOLICS
  - 4 - ACTUATOR ROD MADE OF HIGH STRENGTH PLASTIC

RELEASE NO. SR 8861

<b>CHARACTERISTICS</b>	<b>ELECTRICAL DATA</b>		DESIGN UNITS: INCH TOLERANCES UNLESS NOTED:	DRAWN	MBF	23MAR60	<b>Honeywell</b>				
	CONTACT ARRANGEMENT	BREAK DISTANCE		CHECK	GCH	04APR60					
TOTAL TRAVEL .250 APPROX PUSH DIRECTION .187 APPROX PULL DIRECTION	S P D T	.040 APPROX	NO PLACES x ± ONE PLACE .x ± TWO PLACE .xx ± THREE PLACE .xxx ± ANGLES x ±	THIS DRAWING COVERS A PROPRIETARY ITEM AND IS THE PROPERTY OF HONEYWELL. THIS DRAWING IS NOT TO BE COPIED OR USED WITHOUT THE PERMISSION OF HONEYWELL.			TITLE <b>ASSEMBLY-SWITCH</b>				
FULLY DEPRESSED FORCE 4 LB MAX	15 A-1/3 HP-125 OR 250 VAC 1/2 A-125 VDC; 1/4 A-250 VDC		THIRD ANGLE PROJECTION	INTERPRET PER ASME Y14.5M-1994 OTHER HONEYWELL ENGINEERING STANDARDS MAY APPLY							SIZE
				Pro/ENGINEER	3D		<b>B</b>	<b>I</b>	-	<b>23AC2</b>	<b>4</b>
							SCALE	2:1		SHEET	1 OF 1