

# Meter Mounting Equipment

Arkansas, W. Tennessee,  
N. Mississippi Market



**MILBANK<sup>®</sup>**





*Charles A. Milbank  
1879-1966*



*Bill Martin  
1916-1998*



*Robert F. Waldrop  
1922-2002*



*Robert F. Waldrop, II  
Chairman*



*Katrina Waldrop Henke  
Vice Chairman*

## Milbank: Quality Metering Products for 80+ Years

**M**ilbank Manufacturing Company was established in 1927 by Charles A. Milbank. Originally, the company manufactured high voltage switches; however, by 1941 Milbank devoted itself primarily to the manufacture of sheet metal enclosures and related equipment for the electrical generation and distribution industry. Today we are an industry leader in the manufacture of electrical meter sockets. Through a national network of manufacturer's representatives we provide wholesale electrical distributors with quality electrical products for the utility, contractor, industrial and OEM markets.

As the meter standards have changed, Milbank has been successful in adapting its product line to these changes. Our full scale engineering department designs products to meet customer specifications and satisfy all utility requirements. Milbank's employee base of over

1,000 workers, along with our five manufacturing facilities comprising almost 550,000 square feet give us the flexibility to schedule, produce, and ship orders quickly. Currently, Milbank manufactures over 10,000 different catalog items, and this list continues to grow. Our unique product offering includes: Residential & Commercial Meter Sockets; Residential & Commercial Meter Pedestals; RV/MH Power Outlets, Service Pedestals, and Transformers; Commercial & Industrial Electrical Enclosures; Circuit Breakers; Disconnects & Safety Switches; Safety Sockets; Utility & Residential Secondary Pedestals; Hubs, and related accessories. If you don't find a unit in this catalog to service your needs, send us your specifications and we will be happy to work with you.

Our success has come from a loyal customer base that can rely on us to build quality products at

a fair price in a timely manner. Our willingness and ability to design and produce new products to meet our customer demands is an important factor to remain competitive in today's electrical market.

Milbank has been serving the electric utility & wholesale distribution industries for more than 80 years with innovative, quality engineered products. So remember us for all of your meter mounting and related requirements, and we will be happy to serve you as we have in the past—with dependable service and quality products!

We take great pride in being one of the few family-owned businesses left in our industry. We are a third generation run business and truly believe that...

***FAMILY MAKES A  
DIFFERENCE!***

<b>CATALOG NUMBER LOGIC</b> .....	4
<b>DISCONNECTS (30-200 AMP)</b>	
30 & 60 AMP FUSIBLE/NON-FUSIBLE AC DISCONNECTS .....	5
AC DISCONNECT WITH GFCI PROTECTION / SPA BOX .....	6
<b>SINGLE POSITION</b>	
125 & 200 AMP-4 TERMINAL-RINGLESS-600 VAC .....	7
200 AMP-5 & 7 TERMINAL-HEAVY DUTY LEVER BYPASS-RINGLESS-600 VAC .....	8
320 AMP-4 & 5 TERMINAL-HEAVY DUTY LEVER BYPASS-RINGLESS-600 VAC .....	9
320 AMP-7 TERMINAL-HEAVY DUTY LEVER BYPASS-RINGLESS-600 VAC .....	10
<b>METER MAINS</b>	
100 & 200 AMP-4 TERMINAL-RINGLESS METER MAIN .....	11
200 AMP-4 TERMINAL-METER MAIN W/BREAKERS-RINGLESS .....	12
200 AMP-7 TERMINAL-METER MAIN-RINGLESS .....	13
320 AMP-4 TERMINAL-RINGLESS-METER MAIN WITH SIDE WIREWAY .....	14
400 AMP-320 CONTINUOUS-METER MAIN COMBINATION W/LOAD CENTER .....	15
<b>MULTIPLE POSITION</b>	
100 & 200 AMP/POSITION-4 TERMINAL-HORIZONTAL GANGS-RINGLESS .....	16
125 & 200 AMP/POSITION-4 TERMINAL-CONDOMINIUM METERING BANKS .....	17-18
CONDOMINIUM METERING BANKS .....	19-20
<b>POWER OUTLETS &amp; METERED PEDESTALS</b>	
100 AMP-4 TERMINAL-SERVICE POWER OUTLET .....	21-22
200 AMP-METERED PEDESTALS-RINGLESS .....	23
<b>MISCELLANEOUS</b>	
CT ENCLOSURES .....	24
COMMERCIAL METER PEDESTALS OVERVIEW, APPLICATIONS & ACCESSORIES .....	25-26
UQFP PLUG-IN SERIES CIRCUIT BREAKERS .....	27
ACCESSORIES .....	28-29
NEMA & UL RATINGS .....	30
CONDUIT & AMPACITY INFORMATION .....	32
ENERGIZATION OF ELECTRICAL EQUIPMENT .....	33
MATERIALS AND FINISHES .....	34
ADDITIONAL MILBANK PRODUCTS .....	35
<b>CATALOG INDEX</b> .....	31

# Catalog Number Logic

CATALOG NUMBER LOGIC

**U = UL Listed**  
**S = Non-UL Listed**  
**UAP = UL / Alum / Painted**

**Milbank Drawing Number**

**TG = Triplex Ground**  
**QG = Quadplex Ground**

**KK = Horn By-Pass Provision**

**Specific Utility Designation**

**Barrel Lock**

**U7040-RL-TG-KK-5T9-BL-AUT**

**HUB OPENINGS / CLOSING PLATES**

<b>O</b>	Plain Top	<b>WL</b>	1"	For -RL Opening
<b>RL</b>	Small Hub Opening	<b>YL</b>	1¼"	For -RL Opening
<b>R</b>	Large Hub Opening	<b>ZL</b>	1½"	For -RL Opening
<b>XL</b>	Small Closing Plate	<b>DL</b>	2"	For -RL Opening
<b>X</b>	Large Closing Plate	<b>EL</b>	2½"	For -RL Opening
<b>RXL</b>	Large Hub Opening adapted to small Closing Plate.	<b>F</b>	3"	For -R Opening
		<b>G</b>	3½"	For -R Opening
<b>RRL</b>	Large Hub Opening adapted to small Hub Opening	<b>H</b>	4"	For -R Opening

**Fifth Terminal Designation**

- 5T6 installed at 6:00
- 5T9 installed at 9:00

**Barrel Lock / Guard Provision**

**U2448-X-QG-5T9-K3-BLG-ARE**

**Milbank Drawing Number**

**TG = Triplex Ground**  
**QG = Quadplex Ground**

**Specific Utility Designation**

**Lugs [1Ø or 3Ø – 350 or 600 kcmil]**

- Single [K1, K3, K5, K7]
- Twin [K2, K4, K6, K8]



U3802



U3832

### PROFILE

Milbank's air conditioner disconnect has a removable hinged cover which makes wiring a breeze. Our compact design meets all wire bending space requirements in the NEC and, also, complies with article 440-14 in the NEC. To insure the safest conditions, we designed our disconnect pullers to be removable or they may be reinstalled in the off position. Another safety feature is the padlock provision on the front cover. As with all Milbank products, our enclosure is constructed of G90U galvanized steel and finished with an attractive, light gray, baked powder coating. Our state of the art finish combines epoxy and polyester hybrid resins into a hybrid powder coating which is then electrostatically applied. This offers a durable, nonfading finish.

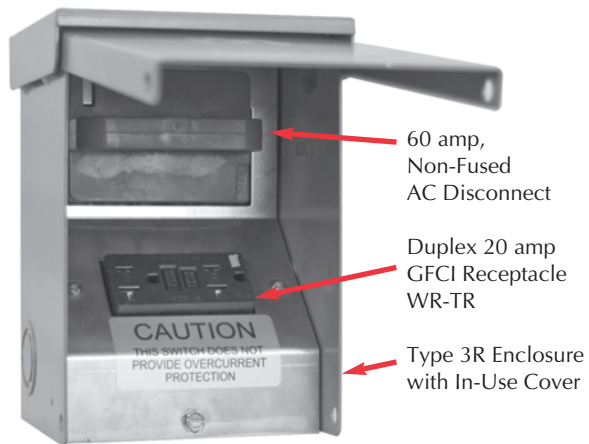
### TECHNICAL INFORMATION

AMP	TYPE	CATALOG NUMBER	MAX H.P.	WT. @ #	LINE & LOAD WIRE RANGE		GROUND WIRE RANGE	DIMENSIONS			WIRE RATING	
					CU	AL	CU/AL	D"	W"	H"	CU °C	AL °C
60	NON FUSIBLE	<b>U3802</b>	10	3.25	#14-#2 AWG	#12-#2 AWG	#14-4 AWG	2-1/2	5	7-1/2	60°/75°	60°/75°
60	NON AUTO	<b>U3812</b>	10	3.3	#14-#2 AWG	#12-#2 AWG	#14-4 AWG	2-1/2	5	7-1/2	60°/75°	60°/75°
30	FUSIBLE	<b>U3832</b>	3	2.5	#14-#3 AWG	#14-#3 AWG	#14-3 AWG	2-1/8	5	7	60°/75°	60°
60	FUSIBLE	<b>U3860</b>	10	3.3	#14-#3 AWG	#14-#3 AWG	#14-3 AWG	3	5	9-1/4	60°/75°	60°/75°

- ✓ UL Listed as Enclosed Pullout Switch
- ✓ 1Ø, 240 VAC
- ✓ Type 3R Rainproof
- ✓ One-inch concentric knockouts

*Utility requirements for this equipment may vary. Always consult the serving utility for their requirements before ordering or installing equipment in this catalog.*

## Combination AC Disconnect / 20 Amp GFCI Receptacle—Together in 1 Box



**U3822-20GWR**

- Meets NEC #210.63 Requirements\*
- UL Listed as Power Outlet
- Type 3R Enclosure
- In-Use Cover\*\*
- Duplex Ground Connector
- 1" Concentric Knockouts

\* NEC® #210.63 Heating, Air-Conditioning and Refrigeration Equipment Outlet.  
...The receptacle shall be located on the same level and within 7.5 m (25 ft.) of the heating, air-conditioning and refrigeration equipment.

### AC DISCONNECT

- 1Ø, 240 Volt
- 60 amp, Non-Fused

### GFCI RECEPTACLE

- 20 amp
- Reset/Test Button
- Weather Resistant/Tamper Resistant
- Meets NEC #406.8 Requirements\*

\* NEC® #210.68 Ground-Fault Circuit – Interruptor protection for personnel.  
\* NEC® #406.8 receptacles in damp or wet locations.

AMP	TYPE	CATALOG NUMBER	MAX H.P.	WT. @ #	LINE & LOAD CONNECTOR WIRE RANGE		GROUND CONNECTOR WIRE RANGE	DIMENSIONS			WIRE RATING	
					CU	AL	CU/AL	D"	W"	H"	CU °C	AL °C
60	NONFUSIBLE	U3822-20GWR	10	6	#14-#2 AWG	#12-#2 AWG	#14-4 AWG	4.8	5.25	7.4	60°/75°	60°/75°

To ensure the safest conditions, Milbank disconnect pullers are designed to be reversible so they may be reinstalled in the OFF position. All units are designed with a padlock provision on the cover for security.

**\*\*Note: U3822-20GWR** cover rated as *IN-USE COVER* (Cover may be closed with cords plugged into receptacle). Units supplied with WRTR receptacle.

\*Reprinted with permission from NFPA 70-2002, *National Electrical Code*®, Copyright 2001, National Fire Protection Association, Quincy, MA 02269. This reprinted material is not the complete and official position of the NFPA on the referenced subject, which is represented only by the standard in its entirety. National Electrical Code® and NEC® are registered trademarks of the National Fire Protection Association, Quincy, MA.

## Hot Tub Disconnect or Sub Panel Breaker Enclosure—Type 3R

### Spa Box with GFCI Protection



U4881-O-50GB

- 240 Volt ground fault protection
- UL listed, Type 3R rainproof
- Milbank reliability
- Easy installation
- 2 pole, 50 amp GFCI breaker protection
- Compact size:  
8-1/2" H x 7-1/2" W x 3-3/4" D
- 3 or 4 wire installation
- 1Ø, 120 / 240 VAC
- Standard package of 12
- 2 extra one-pole breaker spaces
- 100 amp overall rating



### Sub Panel Breaker Enclosure

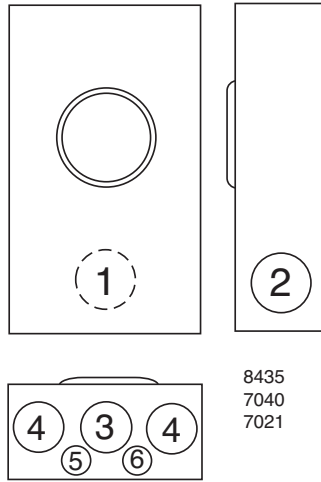
- Use as a 100 amp, 4 circuit sub pane enclosure
- U4881-O has provision for (2) 2-pole or (4) 1-pole small frame breakers

AMP	TYPE	CATALOG NUMBER	WT. @ #	LINE & LOAD CONNECTOR WIRE RANGE		GROUND CONNECTOR WIRE RANGE	DIMENSIONS		
				CU	AL	CU/AL	D"	W"	H"
—	BREAKER PROVISION	U4881-O	7	#14-1/0	#14-1/0	#14-1/0	3 3/4	7 1/2	8 1/2
50	BREAKER	U4881-O-50GB	8	#14-1/0	#14-1/0	#14-1/0	3 3/4	7 1/2	8 1/2
60	BREAKER	U4881-O-60GB	8	#14-1/0	#14-1/0	#14-1/0	3 3/4	7 1/2	8 1/2

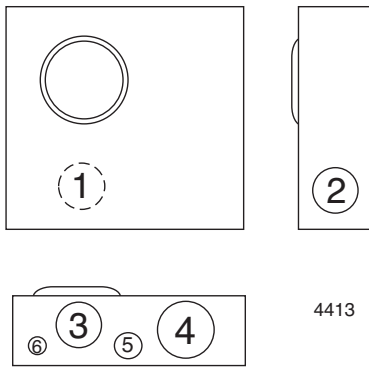




U8435-RL-TG


 8435  
7040  
7021

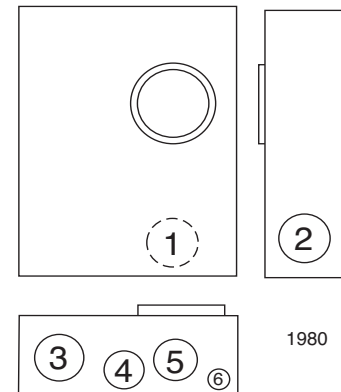

U7040-RL-TG



4413



U1980-O



1980

**125 & 200 AMP-4 TERMINAL-RINGLESS**

AMP	SERVICE	CATALOG NUMBER	HUB	CONNECTORS CU/AL		BY-PASS	DIMENSIONS			CONCENTRIC K.O.'S					
				LINE	LOAD		D"	W"	H"	1	2	3	4	5	6
125	OH/UG	<b>U8435-RL-TG</b>	H.O.	#6-2/0	#6-2/0	NONE	3 <sup>5</sup> / <sub>16</sub>	8	11 <sup>1</sup> / <sub>2</sub>	1 <sup>1</sup> / <sub>2</sub>	1 <sup>1</sup> / <sub>2</sub>	2	1 <sup>1</sup> / <sub>4</sub>	-	1 <sup>1</sup> / <sub>4</sub>
200	OH	<b>U7021-RL-TG</b>	H.O.	#6-350 kcmil	#6-350 kcmil	NONE	4 <sup>1</sup> / <sub>8</sub>	8	15 <sup>1</sup> / <sub>2</sub>	2 <sup>1</sup> / <sub>2</sub>	2 <sup>1</sup> / <sub>2</sub>	2 <sup>1</sup> / <sub>2</sub>	-	1 <sup>1</sup> / <sub>4</sub>	1 <sup>1</sup> / <sub>4</sub> , 1 <sup>1</sup> / <sub>2</sub>
200	OH/UG	<b>U7040-RL-TG</b>	H.O.	#6-350 kcmil	#6-350 kcmil	NONE	4 <sup>1</sup> / <sub>8</sub>	11	15 <sup>1</sup> / <sub>2</sub>	2 <sup>1</sup> / <sub>2</sub>	2 <sup>1</sup> / <sub>2</sub>	2 <sup>1</sup> / <sub>2</sub>	2 <sup>1</sup> / <sub>2</sub>	1 <sup>1</sup> / <sub>4</sub> , 1 <sup>1</sup> / <sub>2</sub>	1 <sup>1</sup> / <sub>4</sub>
200	UG	<b>U1980-O</b>	BLANK	#6-350 kcmil	#6-350 kcmil	NONE	4 <sup>1</sup> / <sub>2</sub>	13	15 <sup>1</sup> / <sub>4</sub>	2 <sup>1</sup> / <sub>2</sub>	2 <sup>1</sup> / <sub>2</sub>	3	1 <sup>1</sup> / <sub>2</sub>	2 <sup>1</sup> / <sub>2</sub>	1 <sup>1</sup> / <sub>4</sub> , 1 <sup>1</sup> / <sub>2</sub>
200	UG	<b>U4413-O</b>	BLANK	#6-350 kcmil	#6-350 kcmil	NONE	4 <sup>1</sup> / <sub>2</sub>	13	15 <sup>1</sup> / <sub>4</sub>	2 <sup>1</sup> / <sub>2</sub>	2 <sup>1</sup> / <sub>2</sub>	2 <sup>1</sup> / <sub>2</sub>	3	1 <sup>1</sup> / <sub>2</sub>	1 <sup>1</sup> / <sub>4</sub> , 1 <sup>1</sup> / <sub>2</sub>

**HUBS:** For proper hub selection see the hub suffix chart on the accessory page.

**FIFTH TERMINAL:** For field mounted fifth terminal, order catalog number **K5T** to fit into square opening at the 9 o'clock position of the *new style block* (#6-350 kcmil.) Order catalog number **5T8K2** to fit into round opening at the 9 o'clock position of the *old style block* (#2-350 kcmil.) Order catalog number **5T8K2** for **U8435**. For the **U7040** & **U1980-O**, order catalog number **K5T**.

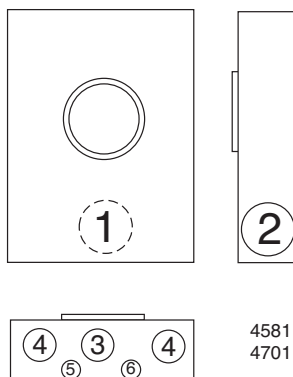
**CONNECTORS:** Extruded aluminum connectors are tin plated. Units are supplied with triplex neutral.

*Utility requirements for this equipment may vary. Always consult the serving utility for their requirements before ordering or installing equipment in this catalog.*

200 AMP-5 & 7 TERMINAL-HEAVY DUTY LEVER BYPASS-RINGLESS-600 VAC



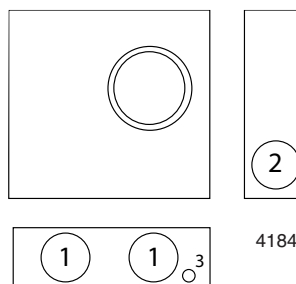
U4581-RL-QG



U4701-RL-QG



U4184-X



**200 AMP-5 & 7 TERMINAL-RINGLESS-600 VAC**

TERM	SERVICE	CATALOG NUMBER	HUB	CONNECTORS CU/AL		BY-PASS	DIMENSIONS			CONCENTRIC K.O.'S					
				LINE	LOAD		D"	W"	H"	1	2	3	4	5	6
5	OH/UG	<b>U4581-RL-QG</b>	H.O.	#6-350 kcmil	#6-350 kcmil	LEVER	4 <sup>7</sup> / <sub>8</sub>	13	19	3	2 <sup>1</sup> / <sub>2</sub>	3	3	1/4	1/4, 1/2
7	OH/UG	<b>U4184-X</b>	C.P.	#6-350 kcmil	#6-350 kcmil	LEVER	6	18	19 <sup>1</sup> / <sub>4</sub>	4	4	1/4, 1/2	-	-	-
7	OH/UG	<b>U4701-RL-QG</b>	H.O.	#6-350 kcmil	#6-350 kcmil	LEVER	4 <sup>7</sup> / <sub>8</sub>	13	19	3	2 <sup>1</sup> / <sub>2</sub>	3	3	1/4	1/4, 1/2

**CONNECTORS:** Extruded aluminum connectors are tin plated.

The **U4581** has a manual center disconnect on the neutral / center phase.

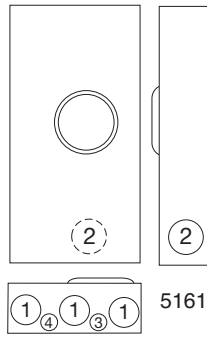
**LEVER BYPASS:** Lever supplies clamping action and operates bypass device.

**BONDING LINK:** **U4581-RL-QG** is factory bonded. Can be field isolated.

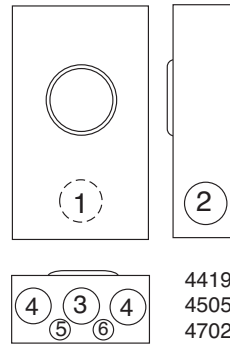


*Utility requirements for this equipment may vary. Always consult the serving utility for their requirements before ordering or installing equipment in this catalog.*



**320 AMP CONTINUOUS  
400 AMP MAX**


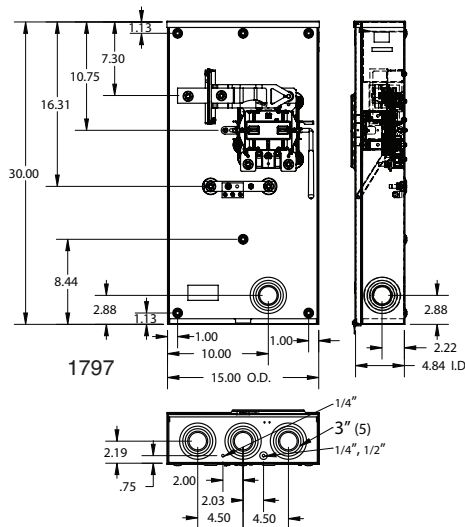
U5161-X-K3L-K2L



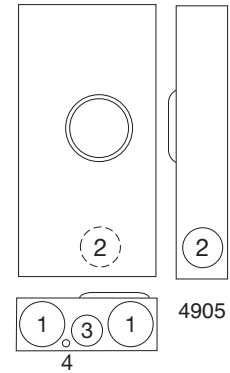
U4505-X



U1797-O-K3L-K2L



U4905-X


**320 AMP-4 & 5 TERMINAL-RINGLESS**

TERM	SERVICE	CATALOG NUMBER	HUB	CONNECTORS CU/AL		BY-PASS	DIMENSIONS			CONCENTRIC K.O.'S					
				LINE	LOAD		D"	W"	H"	1	2	3	4	5	6
4	OH/UG	<b>U4702-X</b>	C.P.	3/8"-16 STUD	3/8"-16 STUD	LEVER	4 <sup>7</sup> / <sub>8</sub>	15	28 <sup>1</sup> / <sub>4</sub>	3	3	3	3	1/4	1/4, 1/2
4	OH/UG	<b>U5161-X-K3L-K2L</b>	C.P.	(1) #4-600 or (2) 1/0-250	(2) #6-350	LEVER	4 <sup>7</sup> / <sub>8</sub>	15	30	3	(1) 3	1/4, 1/2	1/4	-	-
4	UG	<b>U1797-O-K3L-K2L*</b>	C.P.	#4-600 or (2) 1/20-250	TWIN #6-350	LEVER	4 <sup>7</sup> / <sub>8</sub>	15	30	3	3	3	3	1/4	1/4, 1/2
4	OH/UG	<b>U4905-X</b>	C.P.	3/8"-16 STUD	3/8"-16 STUD	LEVER	5 <sup>3</sup> / <sub>4</sub>	16	38 <sup>3</sup> / <sub>4</sub>	4	3 <sup>1</sup> / <sub>2</sub>	3	1/4, 1/2	-	-
5	OH/UG	<b>U4505-X</b>	C.P.	3/8"-16 STUD	3/8"-16 STUD	LEVER	4 <sup>7</sup> / <sub>8</sub>	15	28 <sup>1</sup> / <sub>4</sub>	3	3	3	3	1/4	1/4, 1/2
5	OH/UG	<b>U4419-X</b>	C.P.	3/8"-16 STUD	3/8"-16 STUD	LEVER	4 <sup>7</sup> / <sub>8</sub>	15	29	3	2 <sup>1</sup> / <sub>2</sub>	3	3	1/4	1/4, 1/2

**HUBS:** For proper hub selection see the hub suffix chart on the accessory page.

**LEVER BYPASS:** Lever supplies clamping action and operates bypass device.

**CONNECTORS:** Stud type units supplied with 3/8"-16 hex head nuts with Belleville washers. For single lug connector kits, order as extra **K1539** (350 kcmil), **K3082** (350 kcmil) or **K3441** (600 kcmil). For twin lug connectors order as extra **K1350** (350 kcmil) or **K3442** (350 kcmil). Separate kits are required for both line and load.

**DISCONNECT:** The **U4419** has a manual center disconnect on the neutral / center phase.

**PHASES:** The **U4505** & **U4419** are 1Ø3W or 3Ø3W, and the **U4702** is 1Ø3W.

**FIFTH TERMINAL:** For field installed fifth terminal order catalog no. **K3865**.

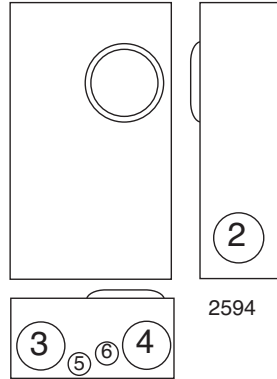
\*SIDE WIREWAY

*Utility requirements for this equipment may vary. Always consult the serving utility for their requirements before ordering or installing equipment in this catalog.*

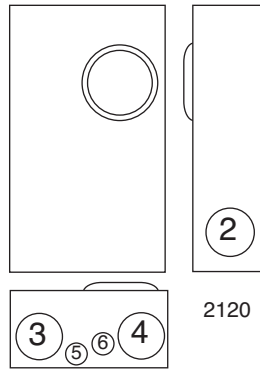
320 AMP-7 TERMINAL-HEAVY DUTY LEVER BYPASS-SIDE WIREWAY-RINGLESS-600 VAC



U2594-X



2594



2120



U2120-X

**320 AMP-7 TERMINAL-SIDE WIREWAY-RINGLESS-3Ø4W**

SERVICE	CATALOG NUMBER	HUB	CONNECTORS CU/AL		BY-PASS	DIMENSIONS			CONCENTRIC K.O.'S					
			LINE	LOAD		D"	W"	H"	1	2	3	4	5	6
OH/UG	<b>U2594-X</b>	C.P.	3/8"-16 STUD	3/8"-16 STUD	LEVER	6 1/2	19	34 1/8	-	3	-	4	1 1/2, 3/4, 1	1/4
UG	<b>U2120-X</b>	C.P.	3/8"-16 STUD	3/8"-16 STUD	LEVER	6 1/2	17 3/4	31 3/4	4	3	4	4	1/4	1 1/2, 3/4, 1

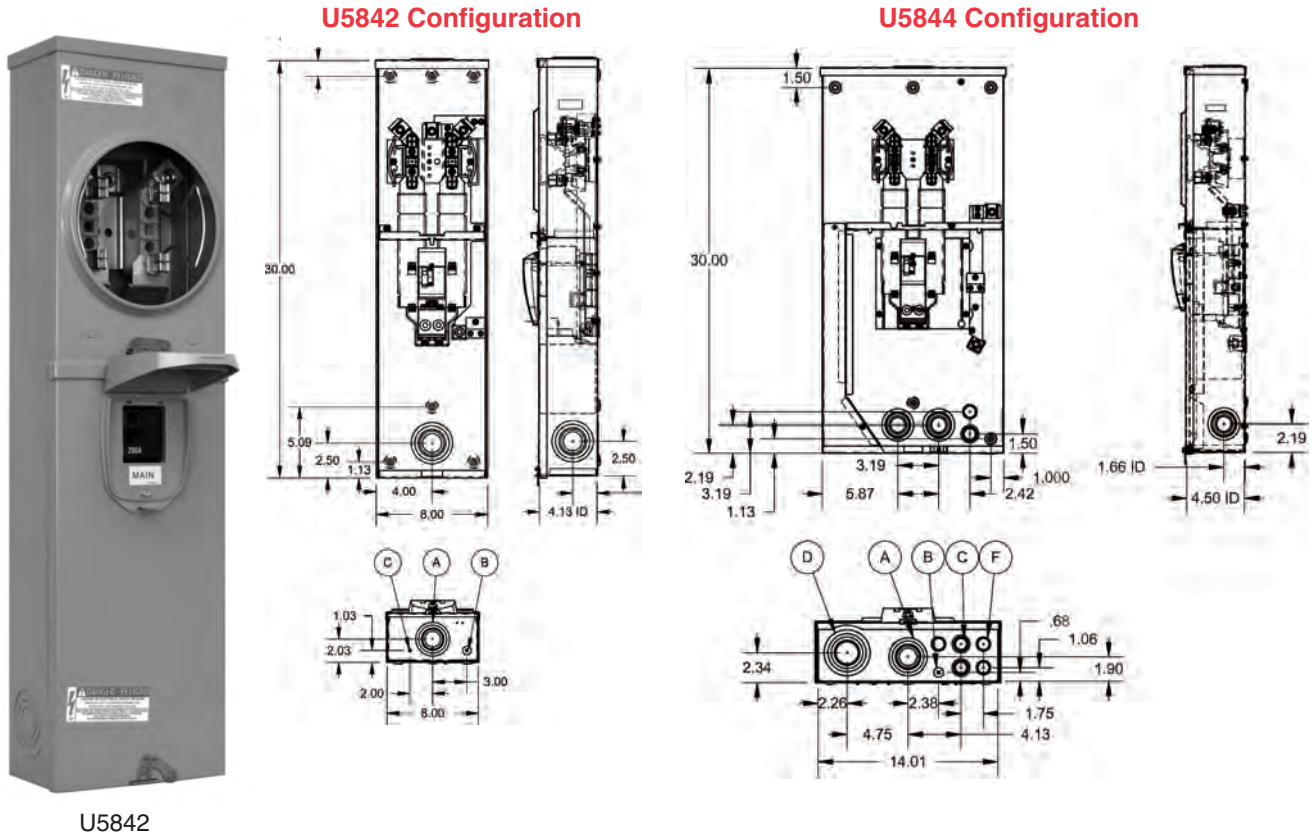
**HUBS:** For proper hub selection see the hub suffix chart on the accessory page.

**LEVER BYPASS:** Lever supplies clamping action and operates bypass device.

**CONNECTORS:** Stud type units supplied with 3/8"-16 hex head nuts with Belleville washers. For single lug connector kits, order as extra: **K3082** (350 kcmil) or **K3441** (600 kcmil). For twin lug connectors order as extra: **K3442** (350 kcmil). Separate kits are required for both line and load.



*Utility requirements for this equipment may vary. Always consult the serving utility for their requirements before ordering or installing equipment in this catalog.*



U5842

**RINGLESS METER MAIN MODELS**

CATALOG NUMBER	AMP	MAIN	TERM	SERVICE	WT (#)
U5842-RL-100	100	100a	4	OH	26
U5842-RL-200	200	200a	4	OH	26
U5844-PXL	200	2p*	4	OH/UG	37
U5844-PXL-100	100	100a	4	OH/UG	37
U5844-PXL-150	150	150a	4	OH/UG	37
U5844-PXL-200	200	200a	4	OH/UG	37

**AIC RATING:** All models are rated 22K AIC when Siemens breakers are used.

**HUB:** OH/UG units supplied with one (1) closing plate packed inside.

**FIFTH TERMINAL:** For field installed 208Y/120 network service order **K5T**. Installs in the 9 o'clock position.

\*2 pole position.

**MAIN CIRCUIT BREAKER CHART**

Amperage	60	100	150	200
10KAIC Breaker Model	Q260	Q2100	QN2150	QN2200
22KAIC Breaker Model	Q260H	Q2100H	QN2150H	QN2200H



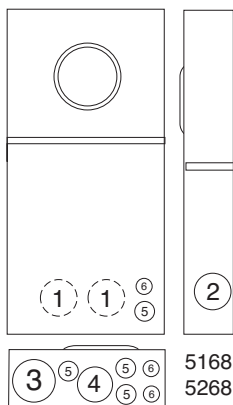
*Utility requirements for this equipment may vary. Always consult the serving utility for their requirements before ordering or installing equipment in this catalog.*



200 AMP-4 TERMINAL-RINGLESS-METER MAIN WITH BREAKERS/BRKR. PROVISION-240V



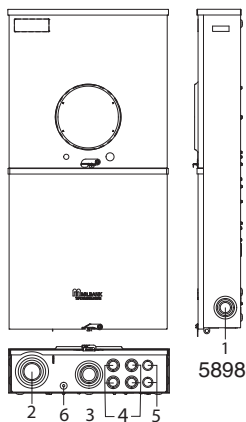
U5168-XTL-200



5168  
5268



U5268-XTL-200



U5898-O-200



**K5815** – QN w/Q Interlock Kit  
(shown installed)  
for Standby Power Hookup

**200 AMP-4 TERMINAL-METER MAIN-22K AIC-120/240 VOLT-1Ø3W**

AVAIL. CIRCUITS	SERVICE	CATALOG NUMBER	HUB	CONNECTORS		BY-PASS	DIMENSIONS			CONCENTRIC K.O.'S					
				LINE	LOAD		D"	W"	H"	1	2	3	4	5	6
8	OH/UG	<b>U5168-XTL-200</b>	C.P.	#6-350 kcmil	#6-300 kcmil Breaker*	NONE	4 <sup>1</sup> / <sub>2</sub>	14 <sup>1</sup> / <sub>8</sub>	32	2	2	3	2 <sup>1</sup> / <sub>2</sub>	1 <sup>1</sup> / <sub>2</sub> , 3 <sup>3</sup> / <sub>4</sub> , 1	1 <sup>1</sup> / <sub>2</sub> , 3 <sup>3</sup> / <sub>4</sub>
20	OH/UG	<b>U5268-XTL-200</b>	C.P.	#6-350 kcmil	Breaker	NONE	4 <sup>1</sup> / <sub>2</sub>	14 <sup>1</sup> / <sub>8</sub>	32	2	2	3	2 <sup>1</sup> / <sub>2</sub>	1 <sup>1</sup> / <sub>2</sub> , 3 <sup>3</sup> / <sub>4</sub> , 1	1 <sup>1</sup> / <sub>2</sub> , 3 <sup>3</sup> / <sub>4</sub>
8	UG	<b>U5898-O-200</b>	C.P.	#6-350 kcmil	#6-350 kcmil	NONE	4 <sup>1</sup> / <sub>2</sub>	17	34 <sup>1</sup> / <sub>2</sub>	2	3	2 <sup>1</sup> / <sub>2</sub>	1	1 <sup>1</sup> / <sub>2</sub> , 3 <sup>3</sup> / <sub>4</sub>	1 <sup>1</sup> / <sub>4</sub> , 1 <sup>1</sup> / <sub>2</sub>

**HUB:** Supplied with (2) closing plates packed inside. Order hubs as a separate item. See accessory page for hub options and twin hub openings.

**INTERIOR:** **U5168** and **U5898** units have 8-circuit interior; **U5268** units have 20-circuit interior.

**FIFTH TERMINAL:** Order **K5T** and field install for 208Y/120 network systems. Installs in the 9 o'clock position only for **U5168** and **U5268**. In **U5898**, it can be rotated to 6 o'clock position..

**BREAKERS:** Rated 22K AIC with Milbank **QNR2200H** main installed.

**INTERLOCK KIT:** For generator auxiliary circuit breaker interlock, order **K5815** for large **QN** with small frame **Q**; order **K5820** for large frame **QN** with large frame **QN**.

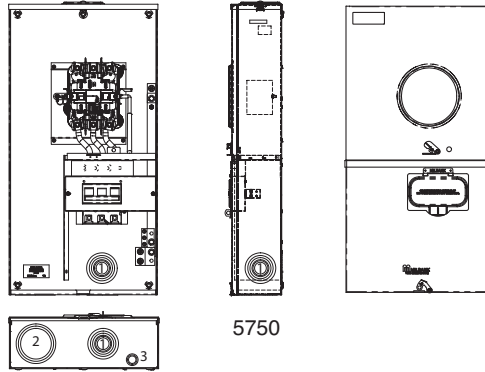
**\*SUB-FEED LUGS:** #6-350 kcmil sub-feed lugs provided on 8-circuit interior. Order **K3701** for 20-circuit interior.

*Utility requirements for this equipment may vary. Always consult the serving utility for their requirements before ordering or installing equipment in this catalog.*





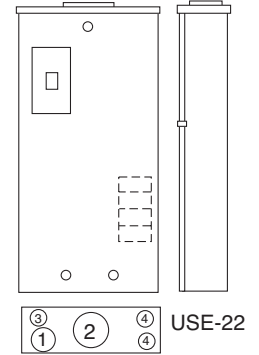
U5750-RXL-200-BL



5750



USE-22-200-MB



USE-22

**200 AMP MAIN POWER OUTLET-BRANCH PROVISIONS-1Ø3W-10K AIC RATING**

SERVICE	CATALOG NUMBER	BREAKERS INSTALLED	ADDITIONAL CIRCUITS *	HUB	CONNECTORS			DIMENSIONS			CONCENTRIC K.O.'S			
					LINE	D"	W"	H"	1	2	3	4		
OH	USE-22-200-MB	UQFB-M-200	4-Branch	2"	2/0-300 kcmil	4	8 <sup>1</sup> / <sub>8</sub>	22 <sup>5</sup> / <sub>8</sub>	1	2	1/2, 3/4	1/2, 3/4		
OH	USE-AP-200-MB	UQFB-M-200	4-Branch	2"	#4-250	5	8	26	1	2	1/2, 3/4	1/2, 3/4		

**NOTE:** The neutral bus/ground bar is factory installed.

**USE-22-200-MB:** 200 amp main with provisions for 200 AMP direct wire feeder. 200 amp bolt-on breaker wired in series with plug-in style bus. Space for four single pole or two 2-pole plug-in, branch circuit breakers. One 2" hub included. Quadplex style breakers may be used in accordance with the NEC.

**200 AMP-7 TERMINAL-METER MAIN-RINGLESS-3Ø4W**

AMPS	CATALOG NUMBER	HUB	CONNECTOR CU/AL		BY-PASS	DIMENSIONS			CONCENTRIC K.O.'S				
			LINE	LOAD		D"	W"	H"	1	2	3		
200	U5750-RXL-200-BL	C.P.	#6-350	C/B	LEVER	5 <sup>3</sup> / <sub>4</sub>	17 <sup>3</sup> / <sub>8</sub>	34	1 <sup>1</sup> / <sub>4</sub> -3	3-4	1/2-2		

**HUBS:** For proper hub selection see the hub suffix chart on the accessory page.

**BYPASS:** The lever supplies clamping action on the meter spade and also operates the bypass device.

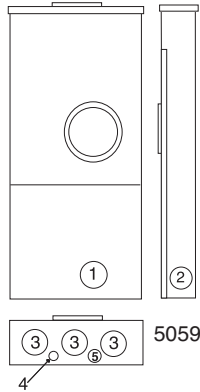
**BREAKER:** Factory installed 200 amp, 3-pole, 10,000 AIC

*Utility requirements for this equipment may vary. Always consult the serving utility for their requirements before ordering or installing equipment in this catalog.*

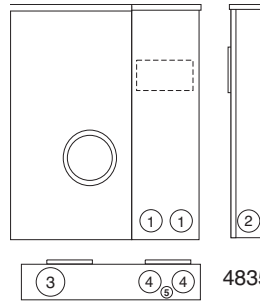
320 AMP-4 TERMINAL-RINGLESS-METER MAIN WITH SIDE WIREWAY-240V



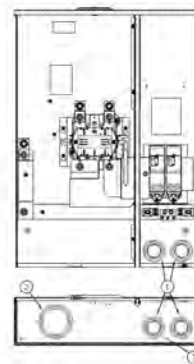
U5059-X-2/200-K3L



U4835-X-2/200-BL



(U4031 AND U4835  
PREWIRED WITH  
MILBANK LARGE  
FRAME BREAKERS)



5894



U5894-X-2/200-MLK

**320 AMP METER MAIN WITH BREAKERS-SIDE WIREWAY-1Ø3W-RINGLESS-120/240 VAC**

SERVICE	CATALOG NUMBER	HUB	CONNECTORS CU/AL		FIFTH TERM. KIT	BY- PASS	DIMENSIONS			CONCENTRIC K.O.'S				
			LINE	LOAD			D"	W"	H"	1	2	3	4	5
OH/UG	U4835-X-2/200-BL	C.P.	3/8"-16 STUDS	#1/0-300 KCMIL	K3866	LEVER	5 <sup>3</sup> / <sub>4</sub>	25	30	3	3	4	3	1/4, 1/2
OH/UG	U5059-X-2/200-K3L	C.P.	#4-600 KCMIL	#1/0-300 KCMIL	K3866	LEVER	4 <sup>7</sup> / <sub>8</sub>	15	42	3	3	3	1/4	1/4, 1/2

**LEVER BYPASS:** Lever supplies clamping action and operates bypass device.

**CONNECTORS:** Sockets are supplied with 3/8" - 16 hex head nuts with Belleville washers. For connector lug kits, order as extra from chart on accessory page. Lug kit required for line side only.

**\*BREAKERS:** Supplied with (2) bolt-in Milbank **UQFBH-200** breakers. Rated at 22K AIC. Supplied with (2) plug-in Milbank **UQFPH-200** breakers.

SERVICE	CATALOG NUMBER	HUB	CONNECTORS CU/AL		FIFTH TERM. KIT	BY- PASS	DIMENSIONS			CONCENTRIC K.O.'S				
			LINE	LOAD			D"	W"	H"	1	2	3	4	5
OH/UG	U5890-X-2/200	C.P.	STUDS	1/0-300	K3865	LEVER	6	24 <sup>1</sup> / <sub>2</sub>	35	4	2 <sup>1</sup> / <sub>2</sub>	1/4	—	—
OH/UG	U5892-X-2/200**①	C.P.	STUDS	1/0-300	K3865	LEVER	6	29 <sup>1</sup> / <sub>2</sub>	35	4	2 <sup>1</sup> / <sub>2</sub>	1/4	—	—
OH/UG	U5894-X-2/200-MLK*②	C.P.	STUDS	1/0-300	K3865	LEVER	6	29 <sup>1</sup> / <sub>2</sub>	35	4	2 <sup>1</sup> / <sub>2</sub>	1/4	—	—

**BREAKERS:** U5890 installed with Milbank **QN2200H** breakers. U5894 and U5895 installed with left breaker **QN2200H** and right breaker **QN2200RH**.

① **SUB-FEED LUGS:** #6-350 kcmil sub-feed lugs provided on 8-circuit interior. Order **K3701** for 20-circuit interior or **-MLK** for factory installed.

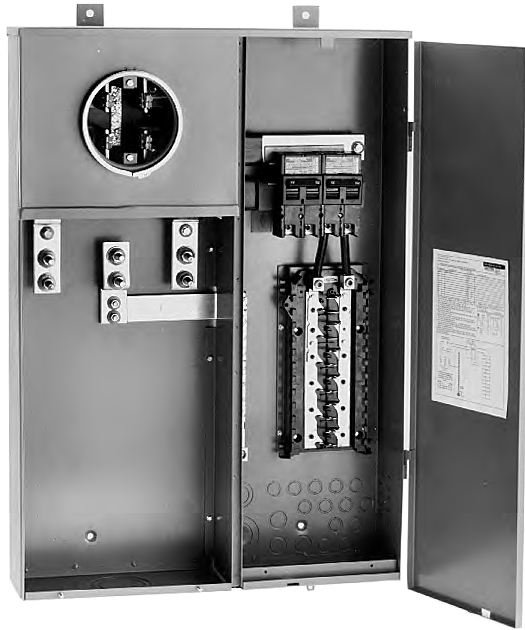
② **SIDE WIREWAY**

\*12-circuit load center

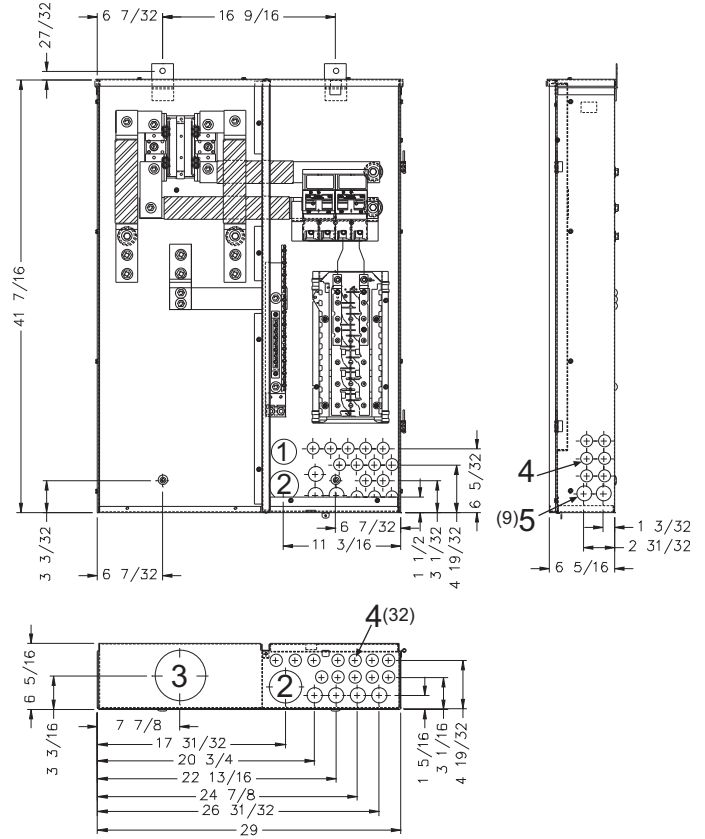
\*\*24-circuit load center

*Utility requirements for this equipment may vary. Always consult the serving utility for their requirements before ordering or installing equipment in this catalog.*





M400-UG-APS-LC



**SPLIT MAIN W/ 24/40 CIRCUIT LOAD CENTER- 4 TERMINAL-1Ø3W-TYPE 3R-RING TYPE-120/240 VAC**

SERV	CATALOG NUMBER	PRIMARY DISCONNECT	SECONDARY DISCONNECT	BY-PASS	DIMENSIONS			CONCENTRIC K.O.'S					WT. #
					D"	W"	H"	1	2	3	4	5	
UG	M400-UG-APS-LC ①	200 Amp / 2 Pole Circuit Breaker	200 Amp / 2 Pole Circuit Breaker	NONE	6 <sup>5</sup> / <sub>16</sub>	29	41 <sup>7</sup> / <sub>16</sub>	1 <sup>1</sup> / <sub>2</sub>	2 <sup>1</sup> / <sub>2</sub>	4	3 <sup>3</sup> / <sub>4</sub>	1	110#

**UL LISTING:** UL listed Service Entrance Equipment File E42827.

**NEUTRAL:** Bonded neutral and ground factory Installed.

**LINE SIDE CONNECTORS:** Two 1/2" studs per phase on 1 3/4" centers.

**SHORT CIRCUIT CURRENT WITHSTAND RATING:** 10,000 AIC standard  
22,000 AIC available. Consult factory.

① **BREAKERS:** Two 200 Amp 2-pole main breakers factory installed, and semi-flush flange kit packed inside meter section. Universal Copper 24/40 Circuit interior accepts Challenger, GE, Murrery, Siemens / ITE, and Cutler-Hammer / Westinghouse universal type plug-in branch circuit breakers.

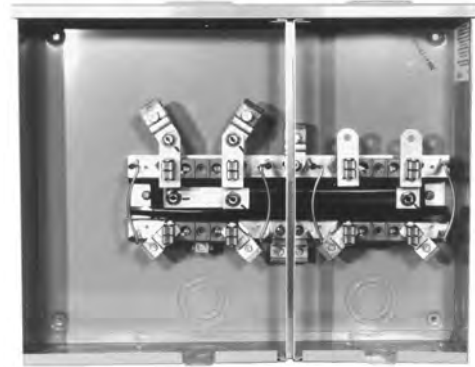
*Utility requirements for this equipment may vary. Always consult the serving utility for their requirements before ordering or installing equipment in this catalog.*



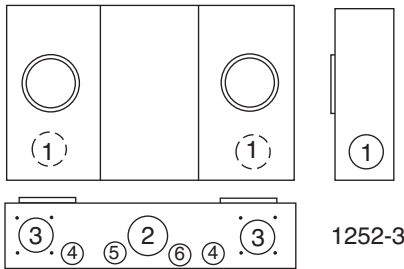
100 & 200 AMP-4 TERMINAL-HORIZONTAL GANGS-RINGLESS-300V



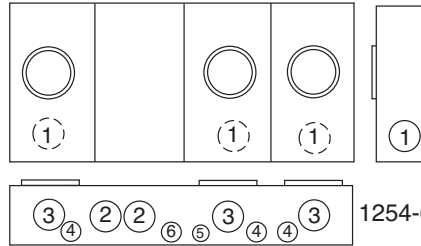
U1252-R



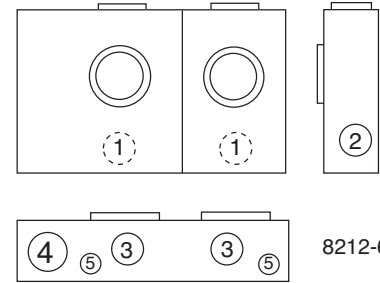
U8212-RL (4" side wireway / OH/UG service)



1252-3



1254-6



8212-6

100 & 200 AMP / POSITION-4 TERMINAL-RINGLESS-1Ø3W-OH/UG\*

AMPS	NO. OF POS.	CATALOG NUMBER	HUB	CONNECTOR CU/AL		BY-PASS	DIMENSIONS			CONCENTRIC K.O.'S					
				LINE	LOAD		D"	W"	H"	1	2	3	4	5	6
100	2	U8212-RL	H.O.	#6-350 kcmil	#6-2/0	NONE	4 1/2	20 5/16	16	2	2	2	2 1/2	1/4, 1/2	-
100	3	U8213-RL	H.O.	#6-350 kcmil	#6-2/0	NONE	4 1/2	28 1/2	16	2	2	2	2 1/2	1/4, 1/2	-
100	4	U8214-RL	H.O.	#6-350 kcmil	#6-2/0	NONE	4 1/2	40 11/16	16	2	2	2	2 1/2	1/4, 1/2	-
100	5	U8215-RL	H.O.	#6-350 kcmil	#6-2/0	NONE	4 1/2	48 7/8	16	2	2	2	2 1/2	1/4, 1/2	-
100	6	U8216-XL	C.P.	#6-350 kcmil	#6-2/0	NONE	4 1/2	57 1/16	16	2	2	2	2 1/2	1/4, 1/2	-
200	2	U4252-RXL-K2	C.P.	3/8"-16 STUD	#6-350 kcmil	NONE	5 1/8	26 1/2	14	2 1/2	3	2 1/2	1 1/2	1/4	1
200	2	U1252-REL-K1	2 1/2	3/8"-16 STUD	#6-350 kcmil	NONE	5 1/8	26 1/2	14	2 1/2	3	2 1/2	1 1/2	1/4	1/2, 3/4, 1
200	3	U1253-X	C.P.	3/8"-16 STUD	#6-350 kcmil	NONE	5 1/8	34 11/16	14	2 1/2	3	2 1/2	1 1/2	1/4	1/4, 1/2, 1
200	4	U1254-X	C.P.	3/8"-16 STUD	#6-350 kcmil	NONE	5 1/8	42 7/8	16	2 1/2	3	2 1/2	1 1/2	1/4	1/4, 1/2, 1
200	5	U1255-X	C.P.	3/8"-16 STUD	#6-350 kcmil	NONE	5 1/8	54 7/8	16	2 1/2	3	2 1/2	1 1/2	1/4	1/4, 1/2, 1
200	6	U1256-X	C.P.	3/8"-16 STUD	#6-350 kcmil	NONE	5 1/8	63 1/16	18	2 1/2	3	2 1/2	1 1/2	1/4	1/4, 1/2, 1

**HUB:** For proper hub selection refer to the hub suffix chart on the accessory page. For the **U1254-6** two hub openings are supplied and the extra opening is closed with a closing plate as standard. For the **U8212** a hub opening is supplied at each end and the extra opening is closed with a closing plate as standard.

**FIFTH TERMINAL:** For field mounted fifth terminal for **U8212-6**, order **5T8K2** (6 o'clock position). For field mounted fifth terminal for **U4252 & U1252-6**, order catalog number **K5T** (9 o'clock position).

**CONNECTORS:** Extruded aluminum connectors are tin plated.

**BUSSING:** Bussing is 5/16" x 1" aluminum on the **U1252-1253, U4252** and the **U8212-6**. On the **U1254-6** gangs the bussing is 3/8" x 1" aluminum.

**NOTE:** See chart on page 32 for gang socket overall ampacities.

Utility requirements for this equipment may vary. Always consult the serving utility for their requirements before ordering or installing equipment in this catalog.







U5882-X



U5884-X

**CONDOMINIUM METERING BANKS**
**125A / POSITION**

CATALOG NUMBER	AMP	POSITIONS	TERM	SERVICE	LINE	LOAD	WT (#)
U5902-X	100	2	4	OH/UG	1/0-350	#6-350	58
U5903-X	100	3	4	OH/UG	1/0-350	#6-350	88
U5904-X	100	4	4	OH/UG	1/0-350	#6-350	107
U5905-X	100	5	4	OH/UG	1/0-350	#6-350	128
U5906-X	100	6	4	OH/UG	1/0-350	#6-350	146

**OPTIONAL:** 100 Amp are available with 100 Amp breakers from factory.

**200A / POSITION**

CATALOG NUMBER	AMP	POSITIONS	TERM	SERVICE	LINE	LOAD	WT (#)
U5882-X	200	2	4	OH/UG	1/0-350	#6-350	58
U5883-X	200	3	4	OH/UG	1/0-350	#6-350	88
U5884-X	200	4	4	OH/UG	1/0-350	#6-350	107
U5885-X	200	5	4	OH/UG	1/0-350	#6-350	128
U5886-X	200	6	4	OH/UG	1/0-350	#6-350	146

**OPTIONAL:** 200 Amp are available with 200 Amp breakers from factory.

**AIC RATING:** All models are rated 22K AIC.

**HUB:** Units supplied with one (1) closing plate. Order hubs separately, see accessory page.

**FIFTH TERMINAL:** For field installed 208Y/120 network service, order **K5T**. Installs in the 9 o'clock position.

**CIRCUIT BREAKER CHART**

Manufacturer	10K Models	22K Models
Siemens	QP, QN	QPH, QNH
Cutler-Hammer	BR, HPQ, QPGF	—
Square D G.E. (50 Amp Max.)	Homeline THQL, THQL-GF	—

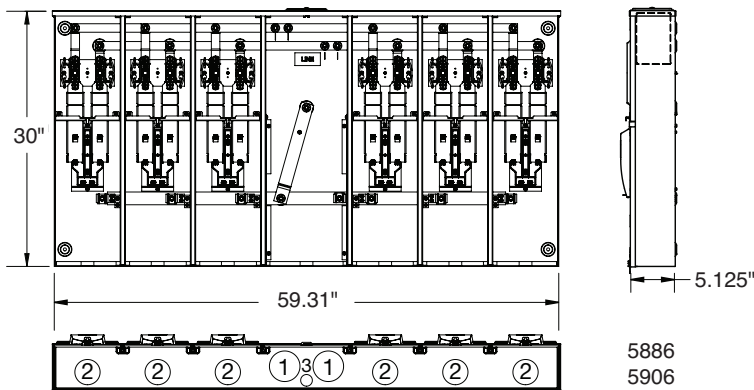
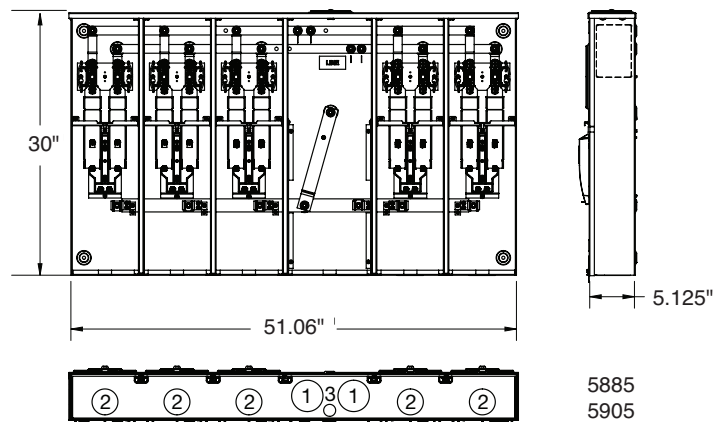
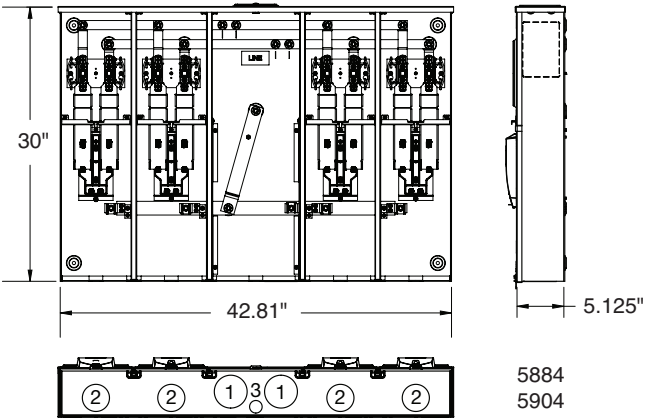
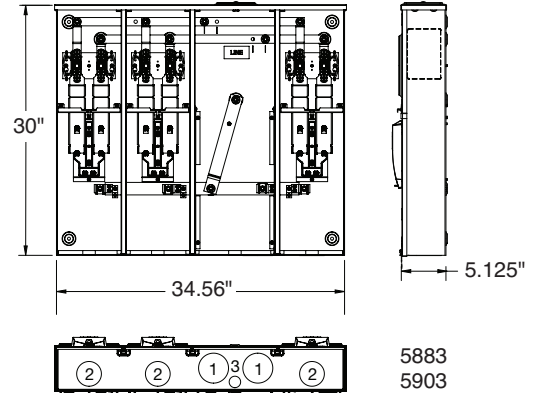
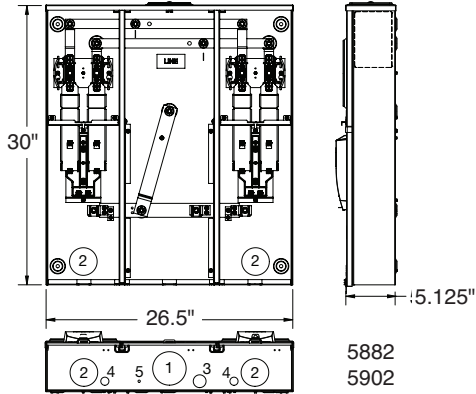


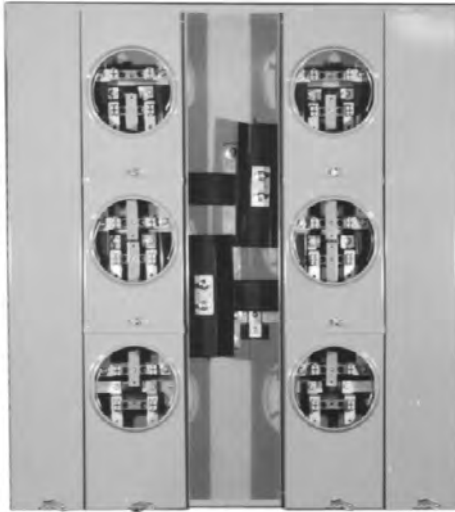
*Utility requirements for this equipment may vary. Always consult the serving utility for their requirements before ordering or installing equipment in this catalog.*

## CONDOMINIUM METERING BANKS

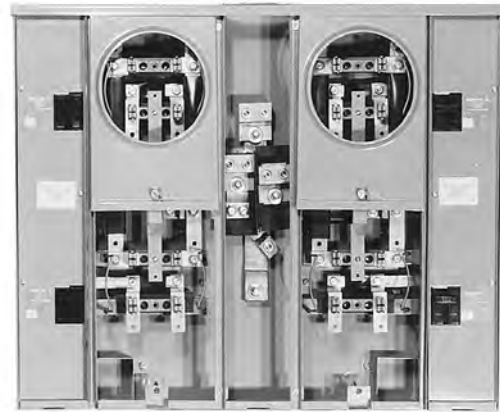
### Dimensional Information

KNOCKOUTS				
1	2	3	4	5
3	2½	1	7/8	¼





U2866-X



U2854-X  
(Order circuit breakers as extra)

125 AMP/POSITION

VERTICAL

200 AMP/POSITION

NO. OF POS.	CATALOG NUMBER	MAIN BUS RATING	LINE CONNECTOR SIZE
2	U2852-X	200 AMP	*3/8"-16 STUD
3	U2853-X	200 AMP	*3/8"-16 STUD

NO. OF POS.	CATALOG NUMBER	MAIN BUS RATING	LINE CONNECTOR SIZE
2	U2862-X	250 AMP	*3/8"-16 STUD
3	U2863-X	300 AMP	*3/8"-16 STUD

125 AMP/POSITION

RECTANGULAR

200 AMP/POSITION

NO. OF POS.	CATALOG NUMBER	MAIN BUS RATING	LINE CONNECTOR SIZE
4	U2854-X	400 AMP	*3/8"-16 STUD
5	U2855-X ①	400 AMP	*3/8"-16 STUD
6	U2856-X ①	400 AMP	*3/8"-16 STUD

NO. OF POS.	CATALOG NUMBER	MAIN BUS RATING	LINE CONNECTOR SIZE
4	U2864-X	400 AMP	*3/8"-16 STUD
5	U2865-X	600 AMP	*3/8"-16 STUD
6	U2866-X	600 AMP	*3/8"-16 STUD

CONNECTOR KITS \*

SIZE	SUFFIX	KIT NUMBER	COMPATIBLE WITH	WIRE RANGE
SINGLE	-K1	K1539	U2852-56 U2862-66	#6-350 kcmil
	-K3	K1540	U2854-56 U2864-66	#4-600 kcmil
TWIN	-K2	K1350	U2854-56 U2863-66	#6-350 kcmil
	-K4	K1541	U2864-66	#2-600 kcmil

\*CONNECTORS: For line wire connector kits, order separately.

FIFTH TERMINALS: For field mounted fifth terminal order catalog number K2381. Order one per meter position (9 o'clock position only).

BREAKERS: Units have provision for one double pole main per meter position. Breakers not included. Order as extra Milbank.

① NOT STOCKED

PLUG-IN BREAKER COMPATIBILITY CHART

AMPS	CUTLER-HAMMER (WESTINGHOUSE)	SIEMENS (ITE)	SIEMENS MURRAY / CROUSE-HINDS	G.E.	SQ-D
125-200	HQP / BR / WBJ	-	MD	Q LINE	-
≤ 100	QP / BR / HQP	QP	MP	Q LINE	HOMELINE

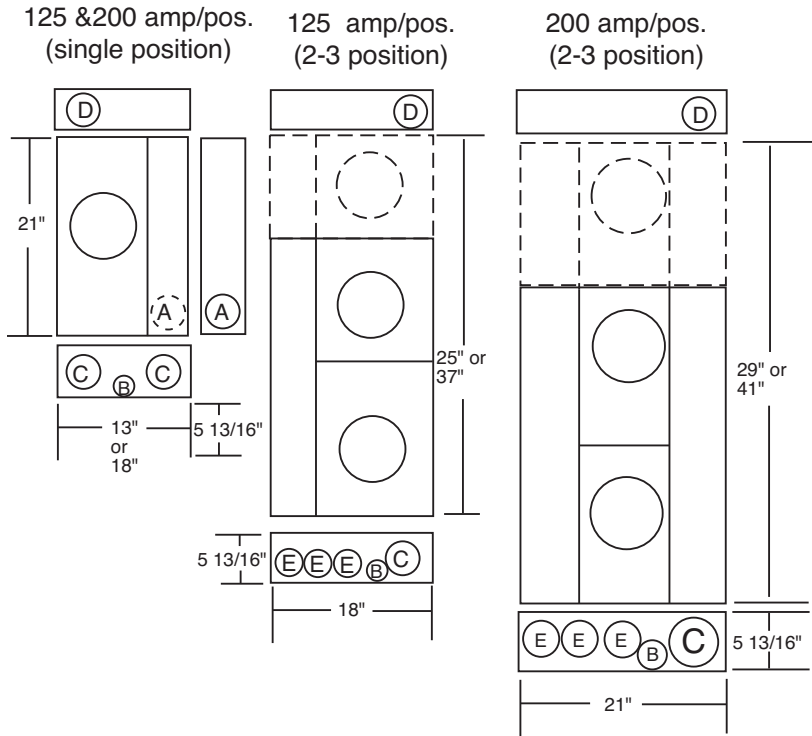
Utility requirements for this equipment may vary. Always consult the serving utility for their requirements before ordering or installing equipment in this catalog.





U2852-X

### VERTICAL



## CONDOMINIUM METERING BANKS

### RECTANGULAR

125 amp/pos.  
(4, 5 & 6 position)

200 amp/pos.  
(4, 5 & 6 position)

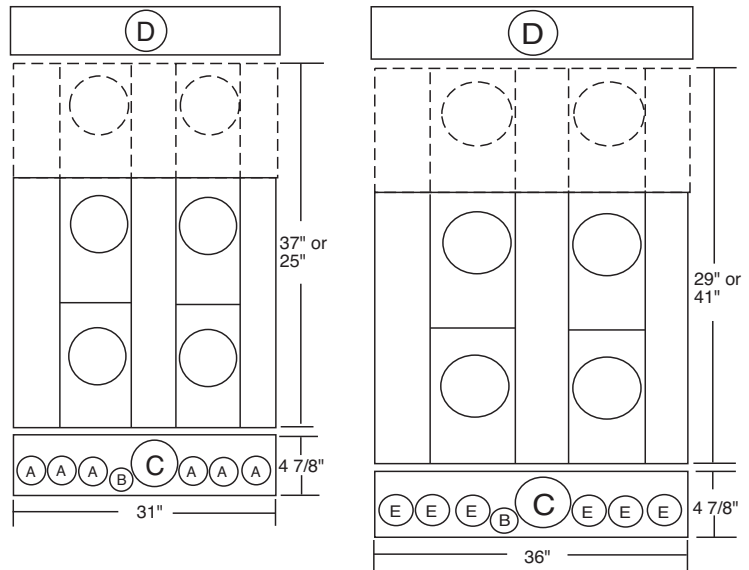
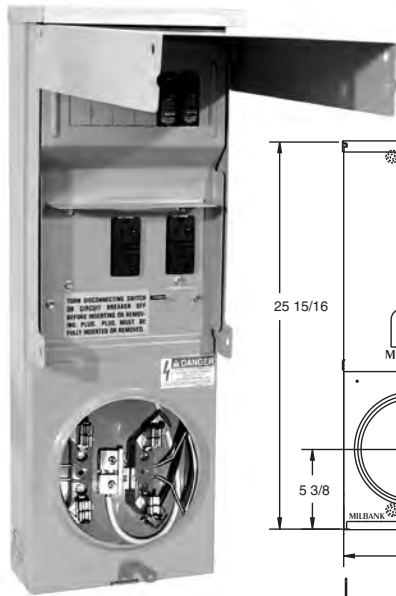
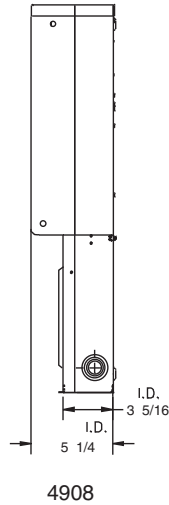
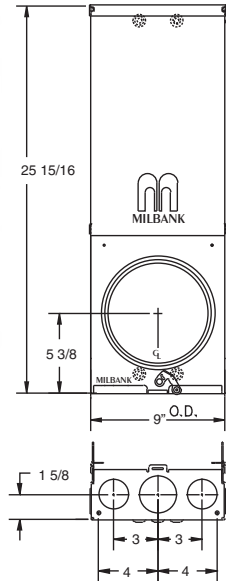


FIG.	DIMENSIONS
A	1 1/4" CONCENTRIC K.O.
B	1/4, 1/2" CONCENTRIC K.O.
C	3" CONCENTRIC K.O.
D	4" HUB OPENING
E	2" CONCENTRIC K.O.

TEMP POWER



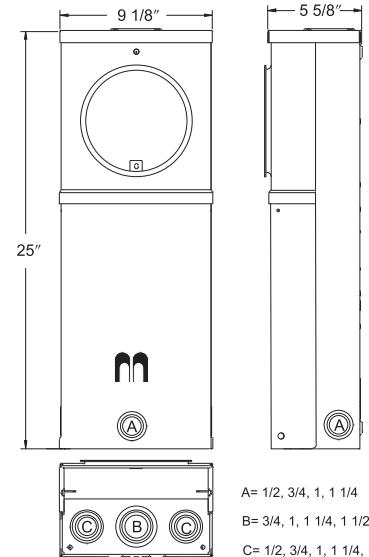
U4908-O-11GR



4908



U5100-XL-75



5100

A= 1/2, 3/4, 1, 1 1/4  
 B= 3/4, 1, 1 1/4, 1 1/2, 2  
 C= 1/2, 3/4, 1, 1 1/4, 1 1/2

Loop feed not available.

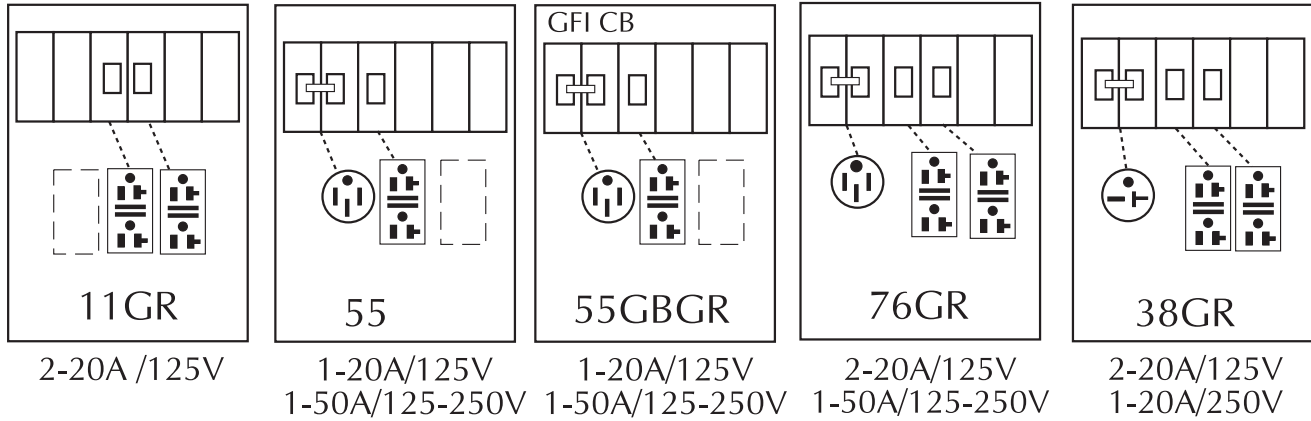
**SPECIFICATIONS**

- Available in ringless style (**U4908** series) or ring type (**U4909** series).
- UL Listed 100 Amp, 120/240 Volt – 1Ø Underground Service Power Outlet. (**U4908-UG** and **U5101-OH**)
- Type 3R welded enclosure for durable outdoor use.
- Hub opening with closure plate. (**U5101**)
- Wire terminations accept copper or aluminum conductors. (**U4908**)  
 Service-Line & Neutral: (1) #6-2/0 Load Ground: (2) 1/0-#14 & (4) #6-#14  
 Load Neutral: (2) 1/0-#14 & (4) #6-#14 Service Ground: #2-#8
- Wire terminations accept copper or aluminum conductors. Loop feed not available. (**U5101**)  
 Line: (1) #6-250 kcmil Ground: (2) 1/0-#14 & (4) #6-#14 Neutral: (2) 1/0-#14 & (4) #6-#14
- Four terminal, ringless meter socket with stainless steel locking hasp.

Utility requirements for this equipment may vary. Always consult the serving utility for their requirements before ordering or installing equipment in this catalog.



**U5100 & U5101 STANDARD CONFIGURATIONS**



**ORDERING INFORMATION**

CATALOG #	SOCKET TYPE	DESCRIPTION
U4908-O-(*)	Ringless	(* Add suffix from above chart to complete catalog number (ie: U4908-O-11GR)
U5101-XL-(*)	Ringless	(* Add suffix from above chart to complete catalog number (ie: U5101-XL-11GR)

\* Cover may not close completely while in use with Twist-Locking devices.

Available without meter and available as ring type.

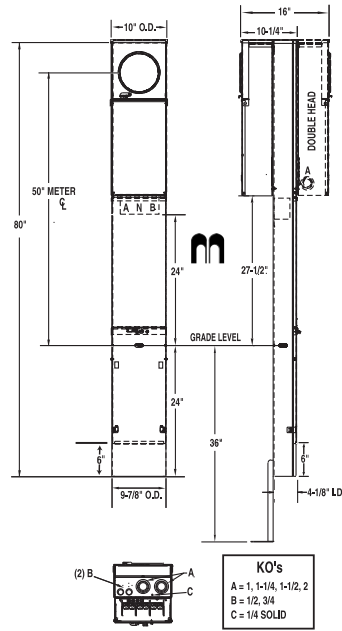
Other configurations available, consult factory.



Utility requirements for this equipment may vary. Always consult the serving utility for their requirements before ordering or installing equipment in this catalog.



**U5136-0-200S-10GR**  
with series wired main



## SPECIFICATIONS

- 200 amp maximum, 120/240 volt, single phase, three wire meter socket
- Ringless meter socket with horn bypass and stainless steel latch
- Short circuit withstand rating 22K AIC.
- Wire terminations accept copper or aluminum conductors
- Line & Neutral: (2) #6-350 kcmil per phase
- Line Ground: (4) #14-1/0
- Load (CB): 2/0 to 300 kcmil per pole
- Load Neutral: (1) #6-350 kcmil
- Load Ground: (2) #14-1/0, (4) #14/6
- Milbank plug-in main circuit breaker. Available in 100, 125, 150 & 200 amp. Type UQFPH-M.
- Four-circuit plated copper interior accepts (2) 2-pole or (4) 1-pole standard plug-in type circuit breakers up to a total of 125 amps maximum. Acceptable manufacturers: Cutler-Hammer, GE or Siemens
- Factory installed receptacle bridge and receptacle / circuit breakers.

### SINGLE PEDESTAL (DIRECT BURIAL)

CATALOG NUMBER	MAIN BREAKER	MAIN CB	BRANCH	WT (#)
<b>U5136-0-100S</b>	UQFPH-M-100	100	4 Circuit	82
<b>U5136-0-200S</b>	UQFPH-M-200	200	4 Circuit	82
<b>U5136-0</b> (parallel wired)	provision for UQFPH-M Series	—	4 Circuit	80

### DOUBLE PEDESTAL (DIRECT BURIAL)

CATALOG NUMBER	MAIN BREAKER	MAIN CB	BRANCH	WT (#)
<b>U5137-0-100S</b>	(2) UQFPH-M-100	100	4 Circuit	115
<b>U5137-0-200S</b>	(2) UQFPH-M-200	200	4 Circuit	115
<b>U5137-0</b> (parallel wired)	provision for (2) UQFPH-M Series	—	4 Circuit	111

K5415 Stabilizer Foot sold separately. Pad mount pedestals require **K5035** pad mount kit. Order separately.

Pad mount available.

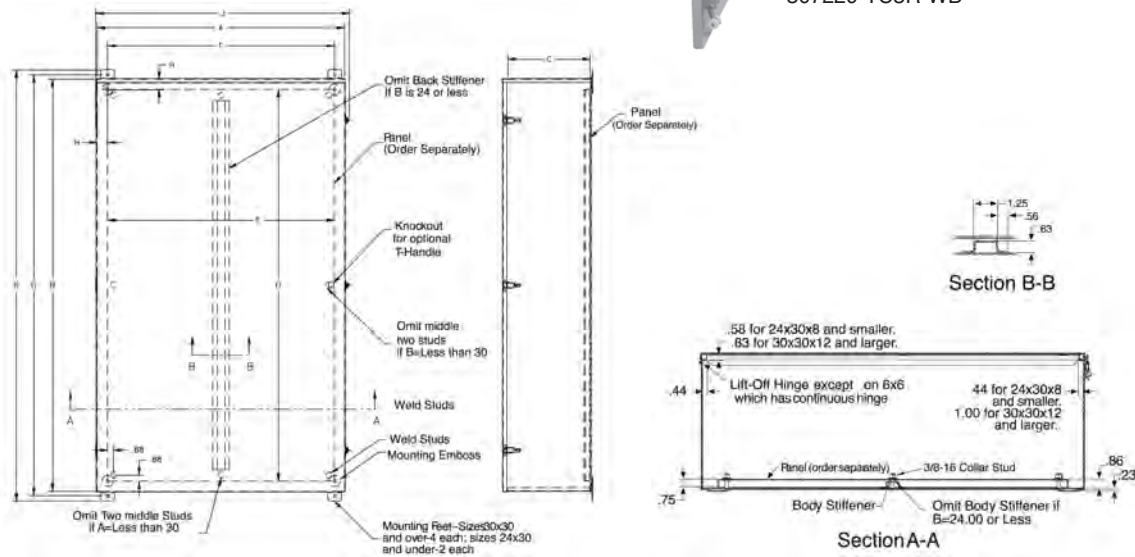
*Utility requirements for this equipment may vary. Always consult the serving utility for their requirements before ordering or installing equipment in this catalog.*



403214-TC3R-SP1



307220-TC3R-WB



**OUTDOOR TRANSFORMER CABINETS—NEMA 3R**

CATALOG NUMBER	DIMENSIONS		
	D"	W"	H"
403214-TC3R-SP1	14	40	32
543214-TC3R-SP1	14	54	32
307220-TC3R-WB*	20	30	72
363616-CT3R-WB*	16	36	36

\*Wood backboard factory installed.

Bottom panel kit available for 307220-TC3R-WB, order A-3020-BTMKIT.



# Commercial Pedestals

- *Attractive*
- *Easy to install*
- *Secure*
- *Cost effective*

**Un-Strut  
Your  
Stuff...**



Milbank Commercial Pedestals are pad-mounted, weatherproof electrical enclosures consisting of a utility pull section with optional meter socket, and a customer section containing distribution and control equipment. Milbank

Commercial Pedestals are an attractive, secure, easy to install and cost-effective solution when underground remote site power distribution and control equipment is required, replacing unsightly and inefficient strut and backboard structures.



Strut and backboard design



Commercial Pedestal

UL Listed as Industrial Control Equipment (File E113855).



Ringless Socket



Ring-type Socket



Utility Lug Landing



Customer Interior

## STANDARD FEATURES –COMMERCIAL PEDESTALS

- Type 3R rainproof, vandal-resistant cabinet of polyurethane powder-coated steel (aluminum or stainless steel also available)
- UL listed as enclosed industrial control equipment (UL508)
- Isolated, lockable & sealable utility metering & lug landing sections
- Lockable customer section for distribution & control equipment with internal deadfront
- Print pocket inside customer section door contains wiring schematics and installation instructions
- Most load centers are UL listed for use with various manufacturers' circuit breakers
- All stainless steel external hardware (screws, bolts, hinges, handles, hasps and sealing screws)
- Meets EUSERC 308 and other utility standards.



## APPLICATIONS

These units are ideal for controlling and metering:

- Traffic signals
- Street lighting
- Irrigation / sprinkler systems
- Cell towers / telephone vaults
- Pump stations
- Temporary power for fairgrounds, swap meets, outdoor markets, portable offices, holiday lights, etc.
- Outdoor lighting for athletic fields, tennis and basketball courts, parking lots, landscaping and subdivision entrances, etc.



## AVAILABLE FACTORY-INSTALLED OPTIONS

- Meter sockets – ring type or **ringless**, to 400 amp (unmetered and dual-metered pedestals also available)
- Main and branch breakers or T fuses
- Distribution – copper load centers & panel boards
- Clocks / timers / relays
- Photoelectric cells and controls
- Power receptacles – pin & sleeve, twist lock or straight blade
- Contactors – definite purpose, electrical or mechanically held, IEC and mercury types
- Surge protection & lightning arrestors
- Reserve inlet generator receptacle with interlocked circuit breakers
- Motor starters, relays
- Push button controls
- Thermostat controls, fans and heating strips
- Power blocks and terminal blocks
- Steel, aluminum and plywood back boards
- Transformers
- Interlock devices for circuit breakers
- Available in steel, aluminum (raw painted or anodized) or stainless steel construction with powder-coated finish available in 8 standard colors or special ordered RAL colors.
- Available for applications up to 400 amp, 120V, 208V, 240V, 277V, 480V – 1Ø or 3Ø.

## ACCESSORIES



**K3865**  
Fifth terminal kit for use with ringless meter sockets

**105J**  
Fifth terminal kit for use with ring-type meter sockets



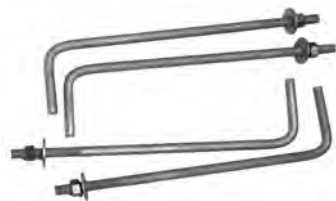
**CP-TC7D** 7-day time clock kit

**CP-TC24H** 24-hour time clock kit

**CP-TCWIRE** Male four-pin connector and wiring harness for use with time clocks other than shown



**CP-16FPAD**  
Fiberglass pedestal mounting base for 16" pedestal (direct buried)



**CP-ABK5/8**  
Anchor bolt kit (includes four 5/8 - 13 x 18" anchor bolts)



**CP-16PDMNT-CALT**  
Pedestal mounting base for 16" pedestal

**CP-24PDMNT-CALT**  
Pedestal mounting base for 24" pedestal (includes mounting hardware)

**CP-32PDMNT**  
Pedestal mounting base for 32" pedestal (includes mounting hardware)



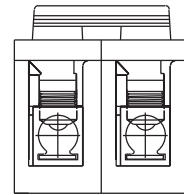
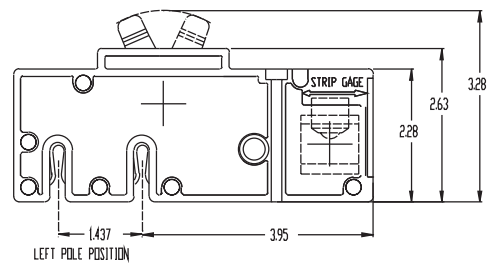
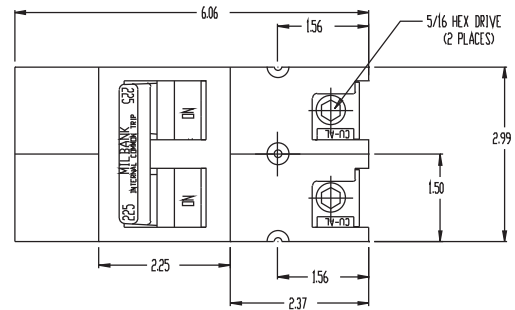
**CP-PE-HOA-3POS**  
HOA switch – for field installation



UQFP



UQFP-M



**200 AMP FRAME—PLUG-IN—10,000 AIC & 22,000 AIC  
TWO-POLE—COMMON TRIP**

AMPS	10K AIC PLUG-IN	22K AIC PLUG-IN	10K AIC PLUG-IN	22K AIC PLUG-IN	WIRE RANGE	
					CU	AL
100	UQFP-100	UQFPH-100	UQFP-M-100	UQFPH-M-100	#3-#1	#1-1/0
125	UQFP-125	UQFPH-125	UQFP-M-125	UQFPH-M-125	#3-#1	#1-1/0
150	UQFP-150	UQFPH-150	UQFP-M-150	UQFPH-M-150	1/0-300	2/0-300
175	UQFP-175	UQFPH-175	UQFP-M-175	UQFPH-M-175	1/0-300	2/0-300
200	UQFP-200	UQFPH-200	UQFP-M-200	UQFPH-M-200	1/0-300	2/0-300

**UL LISTED:** For use with 60°C or 75°C wire.

**UQFP:** For parallel main circuit breaker applications

**UQFP-M:** For series main circuit breaker applications. Split load tab features allow for feed through capability.

**STANDARD PACKAGING:** 5 units per 16 lb. carton.

*Utility requirements for this equipment may vary. Always consult the serving utility for their requirements before ordering or installing equipment in this catalog.*



### INTERCHANGEABLE UNIT HUBS



**LARGE "R" OPENING (HEAVY DUTY)**

SUFFIX	SIZE	MILBANK NO.
F	3"	A8110
G	3½"	A8111
H	4"	A8112

**SMALL "RL" OPENING (STANDARD)**

SUFFIX	SIZE	MILBANK NO.
WL	1"	A7514
YL	1¼"	A7515
ZL	1½"	A7516
DL	2"	A7517
EL	2½"	A7518



**HUB ADAPTER PLATE**  
(Converts 4" opening to 2½")  
**S8324**



**REMOVABLE HUB CLOSING PLATE**

DESCRIPTION	SUFFIX	CAT. #
STANDARD (for -RL opening)	-XL	A7551
LARGE (for -R opening)	-X	A9064

### ANTI-INVERSION CLIP



**K4802**

### BYPASS LINK



**K8180**  
(Bypass links sold in pairs)

### ISOLATED NEUTRAL KIT

**K1047**



### CONNECTOR KITS



**SINGLE**

For use with 3/8"-16 stud type units only



**TWIN**

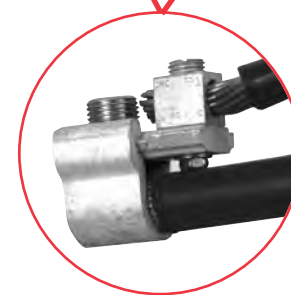
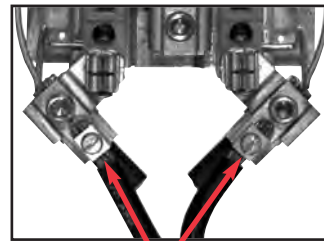
SUFFIX	CATALOG #	(3 per set) – 1 Ø
K1	<b>K1539</b>	6-350 kcmil
K3	<b>K1540</b>	4-600 kcmil or (2) 1/0-250 kcmil
K3L	<b>K1540L</b>	4-600 kcmil or (2) 1/0-250 kcmil Non-rotating

SUFFIX	CATALOG #	(4 per set) – 3 Ø
K5	<b>K3082</b>	6-350 kcmil
K7	<b>K3441</b>	4-600 kcmil or (2) 1/0-250 kcmil

SUFFIX	CATALOG #	(3 per set) – 1 Ø
K2	<b>K1350</b>	6-350 kcmil
K2L	<b>K1350L</b>	6-350 kcmil Non-rotating
K4	<b>K1541</b>	4-600 kcmil

SUFFIX	CATALOG #	(4 per set) – 3 Ø
K6	<b>K3442</b>	6-350 kcmil
K8	<b>K3083</b>	4-600 kcmil

### TAP CONNECTORS (3 per set)

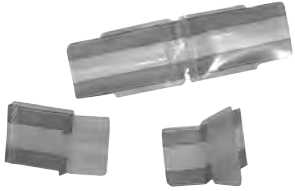


Replaces the line or load side slide-in nut assembly on Milbank 200 amp sockets. Allows for a 100 amp tap location in addition to the #6-350 kcmil load-side connector. **K5022** Includes Safety Barrier Extensions– for applications over 300 VAC.

- K4977-INT**  
INTERNAL HEX
- K5022-INT**  
INTERNAL HEX

**DISCONNECT SLEEVE \***

M5-144  
 (\*NOT TO BE USED WITH LEVER  
 BYPASS SOCKETS)



**TRIPLEX GROUND**



**K1190**  
 (For factory installed triplex  
 ground add suffix "-TG" to the  
 catalog number.)

**FIFTH TERMINALS**



**100-200 amp  
 "PLUG-IN" FIFTH TERMINAL  
 5T8K2**



**HEAVY DUTY JAW  
 CLAMPING  
 K3865  
 (K3866 w/out neutral wire)**



**200 amp  
 FIFTH TERMINAL  
 K5T  
 (New style block with square hole)**



**FOR CONDO  
 METERING BANKS  
 (125-200 amp)  
 K2381**

**SEALING RINGS**



**SNAP ACTION  
 MR-2**



**SCREW TYPE  
 (Stainless Steel)  
 MR-4**

**CLOSING COVERS**





**METER CLOSING PLATE**  
 (Ring type / Ringless)  
**6003** (Gray Plastic)  
**6116** (Clear Plastic)



**METAL CLOSING PLATE**  
 (For Ringless sockets)  
**CP-21**  
 (For Ring type sockets)  
**MCP**

**NEMA and UL** are standard writing organizations commonly recognized in the North American continent. The following ratings are based on similar application descriptions and expected performance. UL requires enclosure testing by qualified evaluators. The Milbank Test Lab is certified in the UL Client Test Data Program. They also send site inspectors to check manufacturer adherence to prescribed manufacturing methods and material specifications. NEMA does not require independent testing, which leaves compliance totally up to the manufacturer.

<b>RATING</b>	<b>NEMA</b> National Electrical Manufacturers Association (NEMA Standard 250)	 <b>UL</b> Underwriters Laboratories Inc. (UL 50 and UL 508)	 <b>CSA</b> Canadian Standards* CAN/CSA-C22.2 No. 94-M91
<b>TYPE 1</b>	<i>Enclosures are intended for indoor use primarily to provide a degree of protection against limited amounts of falling dirt.</i> <small>(NEMA Standard 7-15-1991)</small>	<i>Indoor use primarily to provide a degree of protection against limited amounts of falling dirt.</i>	<i>General purpose enclosure. Protects against accidental contact with live parts.</i>
<b>TYPE 3</b>	<i>Enclosures are intended for outdoor use primarily to provide a degree of protection against rain, sleet, wind-blown dust, and damage from external ice formation.</i> <small>(NEMA Standard 7-15-1991)</small>	<i>Outdoor use primarily to provide a degree of protection against rain, sleet, windblown dust, and damage from external ice formation.</i>	<i>An Enclosure for either indoor or outdoor use, constructed so as to provide a degree of protection against rain, snow, and windblown dust; undamaged by the external formation of ice on the enclosure.</i>
<b>TYPE 3R</b>	<i>Enclosures are intended for outdoor use primarily to provide a degree of protection against rain, sleet, and damage from external ice formation.</i> <small>(NEMA Standard 7-15-1991)</small>	<i>Outdoor use primarily to provide a degree of protection against rain, sleet, and damage from external ice formation.</i>	<i>An Enclosure for either indoor or outdoor use, constructed so as to provide a degree of protection against rain, snow, and windblown dust, splashing and hose-directed water; undamaged by the external formation of ice on the enclosure.</i>
<b>TYPE 4</b>	<i>Enclosures are intended for indoor and outdoor use primarily to provide a degree of protection against windblown dust and rain, splashing water, hose-directed water, and damage from external ice formation.</i> <small>(NEMA Standard 1-10-1979)</small>	<i>Indoor or outdoor use primarily to provide a degree of protection against windblown dust and rain, splashing water, hose-directed water, and damage from external ice formation.</i>	<i>An Enclosure for either indoor or outdoor use, constructed so as to provide a degree of protection against rain, snow, and windblown dust, splashing and hose-directed water; undamaged by the external formation of ice on the enclosure.</i>
<b>TYPE 4X</b>	<i>Enclosures are intended for indoor and outdoor use primarily to provide a degree of protection against corrosion, windblown dust and rain, splashing water, hose-directed water, and damage from external ice formation.</i> <small>(NEMA Standard 1-10-1979)</small>	<i>Indoor or outdoor use primarily to provide a degree of protection against corrosion, windblown dust and rain, splashing water, hose-directed water, and damage from external ice formation.</i>	<i>An Enclosure for either indoor or outdoor use, constructed so as to provide a degree of protection against rain, snow, and windblown dust, splashing and hose-directed water; undamaged by the external formation of ice on the enclosure; resists corrosion.</i>
<b>TYPE 12</b>	<i>Enclosures are intended for indoor use primarily to provide a degree of protection against circulating dust, falling dirt, and dripping noncorrosive liquids.</i> <small>(NEMA Standard 7-15-1991)</small>	<i>Indoor use primarily to provide a degree of protection against circulating dust, falling dirt, and dripping noncorrosive liquids.</i>	<i>An Enclosure for either indoor use, constructed so as to provide a degree of protection against circulating dust, lint, fibers, and flyings; dripping and light splashing of non-corrosive liquids; not provided with knockouts.</i>
<b>TYPE 13</b>	<i>Enclosures are intended for indoor use primarily to provide a degree of protection against dust, spraying of water, oil, and noncorrosive coolant.</i>	<i>Indoor use primarily to provide a degree of protection against lint, dust, seepage, external condensation, and spraying of water, oil, and noncorrosive liquids.</i>	<i>Indoor use; provides a degree of protection against circulating dust, lint, fibers, and flyings; seepage and spraying of noncorrosive liquids, including oils and coolants.</i>
<b>DISCLAIMERS</b>	<i>The definitions on this page are reproduced with permission from NEMA. These descriptions are not intended to be complete representations of National Electrical Manufacturers Association standards.</i>	<i>The preceding definitions were reproduced with permission from Underwriters Laboratories Inc. Enclosures for Electrical Equipment. UL 50, Copywrite 1995.</i>  <i>Underwriters Laboratories Inc. (UL) shall not be responsible for the use of or reliance upon a UL Standard by anyone. UL shall not incur any obligation or liability for damages, including consequential damages, arising out of or connection with the use, interpretation of or reliance upon a UL Standard.</i>	<i>*Our enclosures are tested to CSA Standards by Underwriters Laboratories and bear the CUL Listing Mark.</i>  <i>The definitions on this page are reproduced with permission from CSA. These descriptions are not intended to be complete representations of CSA standards.</i>

CATALOG #	PAGE #	CATALOG #	PAGE #	CATALOG #	PAGE #
6003	.29	MR-4	.29	U5168-XTL-200	.12
6116	.29	Q2100	.11	U5268-XTL-200	.12
105J	.26	Q2100H	.11	U5750-RXL-200-BL	.13
307220-TC3R-WB	.24	Q260	.11	U5842-RL-100	.11
363616-CT3R-WB	.24	Q260H	.11	U5842-RL-200	.11
403214-TC3R-SP1	.24	QN2150	.11	U5844-PXL	.11
543214-TC3R-SP1	.24	QN2150H	.11	U5844-PXL-100	.11
5T8K2	.29	QN2200	.11	U5844-PXL-150	.11
A7514	.28	QN2200H	.11	U5844-PXL-200	.11
A7515	.28	S8324	.28	U5882-X	.17
A7516	.28	U1252-REL-K1	.16	U5883-X	.17
A7517	.28	U1253-X	.16	U5884-X	.17
A7518	.28	U1254-X	.16	U5885-X	.17
A7551	.28	U1255-X	.16	U5886-X	.17
A8110	.28	U1256-X	.16	U5890-X-2/200	.14
A8111	.28	U1797-O-K3L-K2L	.9	U5892-X-2/200	.14
A8112	.28	U1980-O	.7	U5894-X-2/200-MLK	.14
A9064	.28	U2120-X	.10	U5902-X	.17
CP-16FPAD	.26	U2594-X	.10	U5903-X	.17
CP-16PDMNT-CALT	.26	U2852-X	.19	U5904-X	.17
CP-21	.29	U2853-X	.19	U5905-X	.17
CP-24PDMNT-CALT	.26	U2854-X	.19	U5906-X	.17
CP-32PDMNT	.26	U2855-X	.19	U7021-RG-TG	.7
CP-ABK/8	.26	U2856-X	.19	U7040-RL-TG	.7
CP-PE-HOA-3POS	.26	U2862-X	.19	U8212-RL	.16
CP-TC24H	.26	U2863-X	.19	U8213-RL	.16
CP-TC7D	.26	U2864-X	.19	U8214-RL	.16
CP-TCWIRE	.26	U2865-X	.19	U8215-RL	.16
K1047	.28	U2866-X	.19	U8216-RL	.16
K1190	.29	U3313-X-2/K3	.9	U8435-RL-TG	.7
K1350	.19, 28	U3822-20GWR	.6	UQFB-M-200	.13
K1350L	.28	U3830	.5	UQFP-100	.27
K1539	.19, 28	U3860	.5	UQFP-125	.27
K1540	.19, 28	U4252-RXL-K2	.16	UQFP-150	.27
K1540L	.28	U4413-O	.7	UQFP-175	.27
K1541	.19, 28	U4419-X	.9	UQFP-200	.27
K2381	.29	U4505-X	.9	UQFPH-100	.27
K3082	.28	U4581-RL-QG	.8	UQFPH-125	.27
K3083	.28	U4701-RL-QG	.8	UQFPH-150	.27
K3441	.28	U4702-X	.9	UQFPH-175	.27
K3442	.28	U4835-X-2/200-BL	.14	UQFPH-200	.27
K3865	.26	U4881-O	.6	UQFPH-M-100	.23, 27
K3865	.29	U4881-O-50GB	.6	UQFPH-M-125	.27
K3866	.29	U4881-O-60GB	.6	UQFPH-M-150	.27
K4802	.28	U4908-O	.21, 22	UQFPH-M-175	.27
K4977-INT	.28	U5059-X-2/200-K3L	.14	UQFPH-M-200	.23, 27
K5022-INT	.28	U5101-XL	.21, 22	UQFP-M-100	.27
K5T	.29	U5136-O	.23	UQFP-M-125	.27
K8180	.28	U5136-O-100S	.23	UQFP-M-150	.27
M400-UG-APS-LC	.15	U5136-O-200S	.23	UQFP-M-175	.27
M5-144	.29	U5137-O	.23	UQFP-M-200	.27
MCP	.29	U5137-O-100S	.23	USE-22-200-MB	.13
MR-2	.29	U5137-O-200S	.23	USE-AP-200-M	.13

**MAXIMUM NUMBER OF CONDUCTORS IN CONDUIT ♦**  
 Table from 2008 NEC Code Reference: Rigid Metal Conduit

CONDUIT AND AMPACITY INFORMATION

TYPE	CONDUCTOR SIZE (AWG / kcmil)	CONDUIT TRADE SIZES (INCHES)									
		1/2	3/4	1	1 1/4	1 1/2	2	2 1/2	3	3 1/2	4
THHN, THWN, THWN-2	12	9	16	26	46	62	102	146	225	301	387
	10	6	10	17	29	39	64	92	142	189	244
	8	3	6	9	16	22	37	53	82	109	140
	6	2	4	7	12	16	27	38	59	79	101
	4	1	2	4	7	10	16	23	36	48	62
	3	1	1	3	6	8	14	20	31	41	53
	2	1	1	3	5	7	11	17	26	34	44
	1	1	1	1	4	5	8	12	19	25	33
	1/0	1	1	1	3	4	7	10	16	21	27
	2/0	0	1	1	2	3	6	8	13	18	23
3/0	0	1	1	1	3	5	7	11	15	19	
4/0	0	1	1	1	2	4	6	9	12	16	
XHH, XHHW, XHHW-2	4	1	2	4	7	10	16	24	37	49	63
	2	1	1	3	5	7	12	17	26	35	45
	1/0	1	1	1	3	4	7	10	16	22	28
	2/0	0	1	1	2	3	6	9	13	18	23
	4/0	0	1	1	1	2	4	6	9	12	16
	250	0	0	1	1	1	3	5	7	10	13
	350	0	0	1	1	1	2	3	6	7	10
	500	0	0	0	1	1	1	2	4	5	7
750	0	0	0	0	1	1	1	3	4	5	

♦ This table is for concentric stranded conductors only. For cables with compact conductors refer to NEC. Refer to latest NEC Code or Local Codes for updated requirements.

**\* ALLOWABLE AMPACITIES OF INSULATED COPPER & \*\* ALUMINUM CONDUCTORS (3W IN CONDUIT) 75°C (167°F)**

*CU		AL or **Cu-Clad AL	
A	B	A	C
18	-	-	-
16	-	-	-
14	20†	-	-
12	25†	12	20†
10	35†	10	30†
8	50	8	40
6	65	6	50
4	85	4	65
3	100	3	75
2	115	2	90
1	130	1	100
1/0	150	1/0	120
2/0	175	2/0	135
3/0	200	3/0	155
4/0	230	4/0	180
250	255	250	205
300	285	300	230
350	310	350	250
400	335	400	270
500	380	500	310
600	420	600	340
700	460	700	375
750	475	750	385

**A** = Size: AWG/MCM  
**\*B** = Ampere Rating for Insulation Types: **FEPW, RH, RHW, THW, THWN, XHHW, USE, 2W.**  
**\*\*C** = Ampere Rating for Insulation Types: **RH, RHW, THW, THWN, XHHW, USE**  
 (Per NEC table 310-16)

**AMPACITY CORRECTION FACTORS**

AMBIENT TEMP. C°	CORRECTION FACTOR	AMBIENT TEMP. F°
21 - 25	1.05	70 - 77
26 - 30	1.00	78 - 86
31 - 35	.94	87 - 95
36 - 40	.88	96 - 104
41 - 45	.82	105 - 113
46 - 50	.75	114 - 122
51 - 55	.67	123 - 131
56 - 60	.58	132 - 140
61 - 65	.33	141 - 158

Overall ampere ratings of U/L listed Milbank multiple position meter sockets are based on **2008 N.E.C. Handbook Article 220-84** and **ANSI / UL-414** (except where restricted by line connector size.) These requirements provide for a diversity factor / demand factor being utilized in determining the overall (main bus / lug) rating of a gang socket. All Milbank U/L listed gang sockets meet or exceed these diversity factor/demand factor requirements. Standard overall ampacity ratings for U/L listed and non U/L listed gang sockets are as shown in the chart below. Ampere ratings of meter sockets are based on the meter socket being wired with 75° C insulated wire conductor, sized in accordance with **Table 310-16** of the **National Electric Code**.

**GANG SOCKET OVERALL AMPACITIES**

NO. OF METER POSITIONS	100A / POS. AMPACITY	125A / POS. AMPACITY	150A / POS. AMPACITY	200A / POS. AMPACITY
2	200A	200A	200A	400A
3	200A	225A	225A	270A
4	200A	250A	270A	360A
5	225A	285A	338A	450A
6	270A	330A	396A	528A

† Unless otherwise permitted elsewhere in the Code, the overcurrent protection for conductor types marked with an obelisk (†) shall not exceed 15 amps for 14 AWG, 20 amps for 12 AWG, and 30 amps for 10 AWG copper; or 15 amps for 12 AWG and 25 amps for 10 AWG aluminum and copper-clad aluminum after any correction factors for ambient temperature and number of conductors have been applied.



## IMPORTANT NOTE

In addition to national and local electrical codes, many utilities have specific requirements for metering equipment. Always consult the serving utility for their specifications and requirements prior to ordering or installing Milbank meter mounting equipment.

## BEFORE ENERGIZING

- A. Give equipment a thorough visual examination to determine that:
  - 1) No shipping or installation damage exists.
  - 2) Proper clearances have been maintained.
  - 3) All connections have been made.
  - 4) Equipment is clean and dry.
- B. Make a thorough examination to:
  - 1) Verify tightness of all bolted connections (see table below).
  - 2) Manually operate all circuit breakers, switches, relays, etc.
  - 3) Check rigidity of all mountings, bus bars and components.
  - 4) Use test equipment to check continuity of circuitry and integrity of insulation.
- C. All switches and circuit breakers should be in the “off” position.
- D. Verify that manual meter bypass (if applicable) is in non-bypass position.
- E. Install cover and/or close doors.
- F. If installation is not being energized at this time, follow “after-energizing” steps listed below. These steps will secure the installation in case of accidental energization.

## WHEN ENERGIZING

- A. Use caution and follow established safety procedures:
  - 1) Wear safety apparel.
  - 2) Use safety equipment.
  - 3) Take action to prevent injury to yourself and others in the event of failure of the installation.
  - 4) Take action to prevent/decrease damage to property in the event of failure of the installation.
  - 5) If you are unsure how to safely energize the installation, get someone who is knowledgeable to do it.

## AFTER ENERGIZING

- A. Secure the installation:
  - 1) To prevent accidental contact with energized parts, cover all openings with approved filler devices.
  - 2) To prevent unauthorized access, secure all covers and/or doors with approved security devices.
  - 3) Attach/post information to advise others of potential hazards associated with the installation.

### RECOMMENDED TORQUE FOR GENERAL APPLICATIONS\*

NOMINAL SIZE	JOINT DESCRIPTION		HEAD TYPE	TORQUE ( INCH LBS. )
	SCREW	NUT		
10	BRASS	Brass Nut or Extruded Hole	ALL	20-25 in. lbs.
10	STEEL	CU or AL Busbar $\leq 1/8"$	ALL	25-30 in. lbs
10	STEEL	Steel Nut or EH; CU or AL Busbar $> 1/8"$	ALL	30-35 in. lbs
12	STEEL	Aluminum Extruded Hole	ALL	30-35 in. lbs
12	STEEL	Steel Nut or Extruded Hole	ALL	40-50 in. lbs.
1/4	STEEL	Aluminum Extruded Hole	ALL	40-50 in. lbs.
1/4	STEEL	Steel Nut or EH; CU or AL Busbar	ALL	50-60 in. lbs.
5/16	STEEL	Aluminum Extruded Hole	HEX	60-70 in. lbs.
5/16	STEEL	Steel Nut or EH; CU or AL Busbar	HEX	100-150 in. lbs.
3/8	STEEL	Steel Nut	HEX	150-200 in. lbs.
1/2	STEEL	Steel Nut	HEX	200-250 in. lbs.

\*Interior labels typically indicate the required torque for wire connectors and studs, and should be referenced first.

**EH:** Extruded Hole

**CU:** Copper

**AL:** Aluminum

## MATERIALS

### STEEL QUALITY

The meter equipment listed in this catalog is made of galvanized steel (AISI\* G90) to afford the best possible weather proofing. \*American Iron and Steel Institute.

### STEEL SHEET

16 gauge, galvanized, sheet: 0.90 oz./ sq.ft. class zinc-coated.  
(AISI G90)

14 gauge, galvanized, sheet: 0.90 oz./ sq.ft. class zinc-coated.

### ALUMINUM EXTRUSION

Wire-Terminals: Alloy; 6061-T6, Tin-plated for CU/AL wire.

Bus Bar: Alloy; 6101-o & 6063-O

### ALUMINUM SHEET

3000 series aluminum sheet, H14, or 5052 series aluminum sheet, H32. Where applicable thicknesses range from .064 – .125

### COPPER SHEET & BUS

Electrolytic copper with tin plating in most applications.

### INSULATING MATERIALS

- In most units, support bases for current-carrying components are molded from fiberglass reinforced high-strength, track resistant, thermoset polyester molding compounds.
- Clear or black safety shields and polarity barriers are molded from high-strength, track resistant, polycarbonate molding compounds.
- Various sheet insulating materials, as appropriate for the application are utilized in the fabrication of flat, formed and punched component parts and barriers.

## FINISH

### PROCESS

Light gray “state of the art” electrostatically applied powder paint offers a durable, non-fading finish. For further information concerning the chemical analysis of the weather resistant finish, please contact the factory.

### METAL FASTENERS

Zinc-coated with a chromate dip.

## RATING

### NEMA RATING

All Milbank meter sockets, CT cans and meter socket / breaker units have a type 3R rating.

**Other quality products available from Milbank**

ADDITIONAL MILBANK PRODUCTS

**Commercial Pedestals**

- Attractive
- Easy to install
- Secure
- Cost effective




**Un-Strut Your Stuff...**

816.483.5314 phone  
816.483.6357 fax  
www.milbankmfg.com  
ComPed 2/09 (7.5K)

**MILBANK®**  
MADE IN THE USA


**Milbank® Commercial and Industrial Products**



**MILBANK®**  
MADE IN THE USA

**Recreational Vehicle Park Electrical Products & Accessories**

Voyager Series  
Millennium Series



**MILBANK®**  
MADE IN THE USA

*In addition to your local utility's meter mounting equipment, Milbank also manufactures supporting products, such as...*

- Air Conditioner Disconnects**
- Hot Tub Disconnects**
- RV/Mobile Home Power Outlets**
- Terminal Boxes**
- Temporary Power Outlets**
- Commercial Pedestals**
- Commercial Enclosures**
- CT Enclosures**
- Circuit Breakers**
- Enclosed Circuit Breakers**
- Safety Switches**
- Test Switches**

**Contact your local distributor or go to [www.milbankmfg.com](http://www.milbankmfg.com) to find additional product literature.**

# Meter Mounting Equipment & More!

**Commercial Electrical Enclosures**

**Residential & Commercial Metering**

**Commercial Meter Pedestals**

**Disconnect Devices**

**Current Transformer Enclosures**

**RV/MH Pedestals**

**Temporary Power Outlets**

**Circuit Breakers**

**Distribution Unit Substations**

**Enclosed Circuit Breakers**

**Safety Switches**

**Test Switches**



## **PORTER SALES**

6001 Murray Street  
Little Rock, AR 72209  
Tel: 501-570-8100  
Fax: 501-570-8190

## **MILBANK MFG. CO.**

PO Box 419028  
Kansas City, MO 64141-0028  
Tel: 816-483-5314 Fax: 816-483-6357  
Toll Free: 877-483-5314  
[www.milbankmfg.com](http://www.milbankmfg.com)

**MILBANK®**



[www.milbankmfg.com](http://www.milbankmfg.com)

**ARK/WTN/NMS 3/11 (750)**