

**300' IR PTZ
Pg 27**



**See What's New
2013**



PoE Switches Pg 34



**Wireless
Pg 15**

LUXCON *video*

Learn the Surveillance Industry from us!

- ONE CALL FOR EVERYTHING CCTV
 - LIVE AND RECORDED TRAININGS
 - TRAINING ON DEMAND
 - HASSLE FREE WARRANTY
 - SYSTEM DESIGN SUPPORT
 - NEW VIDEO TRAININGS
 - INTUITIVE WEBSITES for LEARNING
 - WWW.LUXONVIDEO.COM
 - WWW.LUXONUNIVERSITY.COM
-

Visit ***WWW.LUXONVIDEO.COM*** for:

- Lens Calculators
- Hard Drive Calculators
- Voltage Drop Calculators
- Product Spec Sheets and Manuals
- CCTV Glossary
- Images
- Order Tracking
- Video Image Comparison



LUXON
UNIVERSITY

Luxon University is an extra online resource to help increase your knowledge of CCTV systems. You will find video tutorials, powerpoint presentations, and information for certification. Look for "Luxon University" at www.luxonvideo.com

Contents

2013 Product Catalog

Hybrid (Analog/IP) Video Recorders

04

32/16/8/4 Channel Network & Hybrid Video Recorders, Software

Network (IP) Cameras

10

2 Mega Pixel IP Cameras, Wireless IP Solutions, Solar Power Solutions

Analog Cameras

16

Varifocal Indoor Domes, Weatherproof Vandal Domes, Fixed Indoor Domes, Wide Dynamic Range Domes, Long Range WDR IR, Weatherproof IR's, Box, License Plate Recognition, Covert, Value Line IR's, PTZ's

Accessories

28

IR Illuminators, LCD Monitors, Monitor Mounts, Camera Mounts and Housings, Lenses, PoE Switches, Power Supplies & Surge Protection

Unshielded Twisted Pair (UTP)

36

Passive UTP Baluns, Passive UTP Hubs, Active UTP Hubs, UTP Application Guide

Glossary & Images / INDEX

41

Glossary & Images, Part Number and Page

For complete Specs and Capabilities go to www.luxonvideo.com

NEW!

NEW 3 Year Warranty!*



No IP License Fees!



Record up to 80 Mega Pixels of IP Resolution!

NVRH1-32

— 32 Ch Analog/IP Recorder

RECORDS UP TO 32 IP OR 16 IP AND 16 ANALOG CAMERAS. SOFTWARE FEATURES ON NEXT PAGE.

NVRH1-32 SERIES

MODEL #	LIST	DESCRIPTION
NVRH1-32-3TB	\$7533	32 Channel NVR, 960/960 fps, 3TB HD
NVRH1-32-6TB	\$8763	32 Channel NVR, 960/960 fps, 6TB HD
NVRH1-32-9TB	\$9400	32 Channel NVR, 960/960 fps, 9TB HD
NVRH1-32-12TB	\$9995	32 Channel NVR, 960/960 fps, 12TB HD



For complete Specs and Capabilities go to www.luxonvideo.com

LIN8 SERIES

MODEL #	LIST	DESCRIPTION
LIN8-240-500GB	\$2290	8 Channel NVR, 240/240 fps, 500GB HD
LIN8-240-1TB	\$2478	8 Channel NVR, 240/240 fps, 1TB HD
LIN8-240-2TB	\$2713	8 Channel NVR, 240/240 fps, 2TB HD
LIN8-240-4TB	\$3328	8 Channel NVR, 240/240 fps, 4TB HD

LIN8

— 8 Ch Analog/IP Recorder

IP Recording Ability

RECORD UP TO 8 MEGA PIXELS OF
IP RESOLUTION!

LIN16 SERIES

MODEL #	LIST	DESCRIPTION
LIN16-480-1TB	\$3178	16 Channel NVR, 480/480 fps, 1TB HD
LIN16-480-3TB	\$3500	16 Channel NVR, 480/480 fps, 3TB HD
LIN16-480-6TB	\$4028	16 Channel NVR, 480/480 fps, 6TB HD

LIN16

— 16 Ch Analog/IP Recorder

IP Recording Ability

RECORD UP TO 16 MEGA PIXELS
OF IP RESOLUTION!

Optional Accessories

- Rack Mount Ears (LINRACKEARS) \$24
- Remote Control (REMOTE2) \$50
- 16 CH Loop out Cable (LINDVI) \$72.50
- 16 CH Audio Cable (LINAUDIOCABLE16) \$50

2 Year Warranty!*



--- For Software Capabilities see pgs 8-9



Two Year Warranty!*



IP Recording Ability

RECORD UP TO 4 IP CAMERAS AT 8 MEGA PIXELS OF IP RESOLUTION!

LIN104M

— 4 Ch Analog/IP Recorder

LIN104M SERIES

MODEL #	LIST	DESCRIPTION
LIN104M-120-500GB	\$782	4 Channel Hybrid, 120 fps, 500GB HD
LIN104M-120-1TB	\$876	4 Channel Hybrid, 120 fps, 1TB HD
LIN104M-120-2TB	\$1144	4 Channel Hybrid, 120 fps, 2TB HD
LIN104M-120-3TB	\$1294	4 Channel Hybrid, 120 fps, 3TB HD

LIN108M SERIES

MODEL #	LIST	DESCRIPTION
LIN108M-240-500GB	\$1110	8 Channel Hybrid, 240 fps, 500GB HD
LIN108M-240-1TB	\$1198	8 Channel Hybrid, 240 fps, 1TB HD
LIN108M-240-2TB	\$1466	8 Channel Hybrid, 240 fps, 2TB HD
LIN108M-240-3TB	\$1616	8 Channel Hybrid, 240 fps, 3TB HD

LIN108M

— 8 Ch Analog/IP Recorder

LIN116M SERIES

MODEL #	LIST	DESCRIPTION
LIN116M-480-1TB	\$1900	16 Channel Hybrid, 480 fps, 1TB HD
LIN116M-480-2TB	\$2050	16 Channel Hybrid, 480 fps, 2TB HD
LIN116M-480-3TB	\$2200	16 Channel Hybrid, 480 fps, 3TB HD

LIN116M

— 16 Ch Analog/IP Recorder

--- For Full Software Capabilities see pgs 7-9



The new budget friendly 4-8 and 16 Channel **LIN MINI** Series Hybrid recorders are not only a great price, but come with the many great features including hybrid functionality, a robust Graphic User Interface, and expanded remote management capabilities. The user-friendly operation, low maintenance, essential surveillance functions, and great value, make these units perfect for deployments in smaller facilities.

The GUI - Built for Efficiency

As opposed to typical and laborious menu driven interfaces, the LIN Mini Series Graphical User Interface (GUI) maximizes user effectiveness while minimizing training time. The visual layouts and intuitive controls of the LIN Mini's GUI, ensures that users can simply point-and-click to see who is entering the building, search through alarms for the week, or take immediate command of an unraveling event!



Hybrid - The Power of Choice

The LIN104M, LIN108M, & LIN116M can be connected to either analog or IP Cameras (Maximum 8 Megapixels of IP Resolution). With support for over 60+ brands of IP Cameras you can have confidence about camera compatibility. There are no hidden or added licensing fees, and no fees on IP channels the LIN Mini's truly define hybrid and the next generation of video surveillance.

Mobility that Really Goes the Distance

Login and view your system by app through your iPhone, iPad, or Android device. You can also view through a remote computer, or laptop. If you have internet connection - you have video! One of the biggest advantages of the LIN Mini's is that they record and replay simultaneously and can be remotely viewed by a number of independent authorized users.

H.264 - Revolution in Quality

Industry leading H.264 compression ensures that the LIN Mini's drastically reduce video file sizes while maintaining the integrity and quality of images. Amplifying the benefits of H.264 is the LIN's Hardware Compression that enhances system performance by utilizing very little PC CPU and RAM resources.



The Features - Specialized Settings for Special Needs

Offices facing busy streets-just one example of facilities whose motion based recordings could eat up valuable storage space. One of the many solutions the LIN Mini's offer is Masking through which users can partition off areas from triggering motion based recordings. Other features include: Smart recording features which allow users to maximize storage while recording continuously, multiple event responses and much more.



LIN MINI SERIES SOFTWARE FEATURES

- Supports 60+ IP Camera Brands
- Industry Leading Software - Powerful yet extremely easy to use and navigate
- Simple playback & export of video locally and remotely
- Comprehensive mobile access through iPhone & Android
- Automated email motion/sensor alerts with attached JPEG image and custom message.
- E-maps - showcasing camera, sensor and relay positions
- Simultaneously view live video during playback
- Unified Software Platform for all LIN/NVR series. Same look and feel locally and remotely
- Automated PTZ preset upon motion/sensor
- Up to 256 user accounts with individually assigned passwords and user privileges
- Free Software Suite that includes Remote ibackup (automated backup of remote system), iEnhance (Optimizes video and can convert to popular formats), Remote isetup (Access many more system settings remotely and make changes) and more!
- Free CMS central management software included to provide total remote command of 16 remote systems and up to 1000 remote systems with CMSGOLD from one central location

For the complete Spec Sheet go to www.luxonvideo.com

The Easiest Playback/Search Interface in the Industry!

NVR & LIN SOFTWARE FEATURES

MONITORING

For environments that depend on live video, the NVR Software offers many features for fast and responsive event management:

- Video - up to 32 analog (BNC Connectors) and /or IP cameras
- Audio - up to 32 channel in and 1 channel out
- Spot Monitor - Analog AND IP video transmission; user can select any combination of channels to output with auto scan and 1, 4, 8, 9, 13 and 16 screen split modes
- 8 sensors & relays (NVR)
- E-maps showcasing camera, sensor and relay positions
- Simultaneously view live video during playback
- Integrated Auto Gain Control (AGC) balances image noise (NVR)



Live Display

- Most Advanced Graphical User Interface (GUI) with:
 - Advanced GUI mode for easy access to system tools
 - Compact GUI mode for maximum image display
- Channel Auto scan with 1, 4, 8, 9, 13 & 16 screen splits
- Digital zoom incorporated for greater detail in live video
- Noise reduction filter enabled for crisper images (NVR)

Alarm/Notifications

- Starting video recording on multiple cameras
- Sending footage to spot monitor
- PTZ tracking and enlarging triggered video (NVR)
- Following sensor with relay protocols (e.g. locking gates etc.)
- Launching the triggered channel's corresponding Emap
- Sending emails, snapshots and files to FTP, SMS/MMS
- Customizable warning sounds
- Sending video to Central Management System



Main Monitor View

INTELLIGENCE- *NVRH1-32 only*

To reduce security staffing and/or to manage high-volume video, software also provides intelligence that is triggered by:

- Search by Scene Change, Missing Object, Suspicious Object
- Intelligent Search
- Video loss or HDD failure; initiates "Watchdog" function if needed to bring system back from faulty to normal operation

RECORDING

- Continuous, Motion, Event, or Audio recording
- Smart - Activity based escalation of recording fps (low - high)
- Video Mask - prevent high activity regions from triggering motion based recording
- Video Shield - prevent recording of unwanted or restricted areas
- System will auto recycle storage space when disk is full
- Two types of de-interlace method (for analog cameras)



Software included with every NVR & LIN Recorder!*

FORENSICS

For rapid retrieval/export of pertinent data this NVR software provides:

Search

- Defined parameter search by date, time, camera, area, event, and event log file
- Visual Search that breaks down video by day, hour, minute, 10 seconds and second
- Time search to scroll through by moments
- Easy retrieval and playback of footage by "Book marking" significant segments
- Advanced event log search by event, operation, system and network activities

Playback

- Built-in sensitive playback controls (including frame-by-frame)
- Digital zoom incorporated for greater detail in playback video
- System can save up-to-10 seconds of pre-alarm footage from temporary to permanent storage

Backup

- Easily export/backup to DVD-RW/ CD-RW, flash memory, external HDD, NAS, SAN and RAID (NVR)
- Software ensures easy backup and playback
- System starts automatic back up of footage when external storage devices are inserted
- Direct burn to CD/DVD-RW during backup
- Export single images to BMP files or segments to AVI files
- Saved images "Watermarked" to validate authenticity (NVR)

REMOTE

Multicasting

- Multicast video streams to drastically lower network, server and camera loads for effective remote viewing
- Remote backup capability

Viewing

From laptops to cell phones, you can track video whenever and wherever

- Remote Access with DDNS function
 - Windows, iPhone, & Android mobile devices

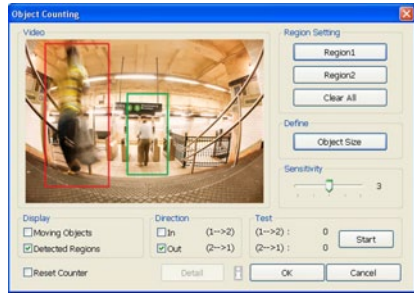
CMS

With CMS (central management software), you have total remote command of up to 1000 remote systems from one central location

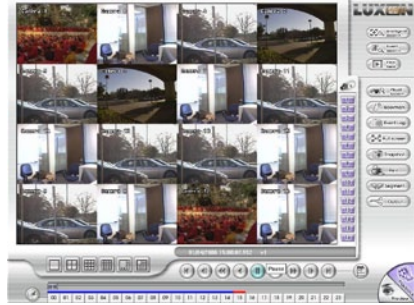
- Monitor with E-maps, record and playback
- Control sensors and relays
- Setup and modify your recorders configurations
- 2-way audio

USER ACCESS

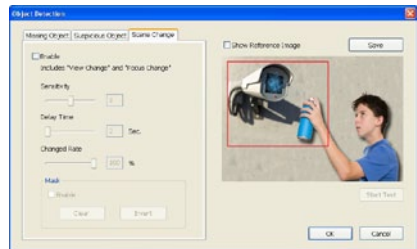
- Up to 256 user accounts with individually assigned passwords and user privileges



Object Counting



Search & Playback



Scene Change, Missing Object, Suspicious Object



Full HD
1080P

ONVIF



MIPB1600V

Bullet IP Cameras

Weatherproof with IR & Varifocal Lens



MIPB1.3V

Full 30fps @ 1080P

FEATURES

- External Varifocal Lens Adjustment
- IP66 Weatherproof (-22°F to 125°F)
- Wide Dynamic (digital) and 3-DNR
- Mechanical IR Cut Filter (ICR)
- Cable Concealed Mounting Bracket
- PoE - IEEE 802.3af Class 0
- Micro SD Card (backup 10 sec. files)
- Alarm In/Out
- Triple Streaming
- Three Level Motion Detection and Alarm
- Controllable frame rate and bandwidth
- Audio In/Out Cable (not with MIPB1.3V)
- BNC Service Cable for easy focus (not with MIPB1.3V)

	MIPB5V	MIPB1600V	NEW! MIPB1.3V
LIST	Coming 2014!	\$740	\$590
Image Sensor	1/3.2" 5 Megapixel CMOS	1/2.7" 2 Megapixel CMOS	1/4" Megapixel CMOS
Resolution	2592 x 1945 (5MP) @ 15fps 2048 x 1536 (3MP) @ 15fps 1920 x 1080 (1080p) @ 30fps	1920 x 1080 (1080p) @ 30fps 1280 x 720 (720P) @ 30fps 640 x 480 (VGA) @ 30fps	1280 x 800 (1.3MP) @ 30fps 1280 x 720 (720P) @ 30fps 640 x 480 (VGA) @ 30fps
Weather Rating		Weather Proof (IP66)	(-22°F to 125°F)
Compression		H.264/ M-JPEG/ MPEG4	(3GPP)
Lens	3.6mm-16mm F1.2	3.6mm-16mm F1.2	3.3mm-12mm F 1.4
IR Distance	35 LEDs 75' IR	35 LEDs 75' IR	35 LEDs 60' IR
Min. Illumination	Color (0.5), B/W (0.00 with IR)	Color (0.1), B/W (0.00 with IR)	Color (1.0), B/W (0.00 with IR)
Angle of View	19° ~ 64° (H), 14° ~ 45° (V)	24° ~ 98° (H), 14° ~ 52° (V)	24° ~ 60° (H), 15° ~ 38° (V)
Features: (adjustable)	Digital WDR, Day/Night w/IR, Brightness, Contrast, Hue, Saturation, Sharpness, Shutter Speed, AGC, Sense-Up, Flip, Mirror, Noise reduction, White Balance, Motion Detection, Privacy Mask		
Camera Dimensions		Ø83mm x 175 mm (H)	Ø83mm x 117mm (H)
Power		12VDC/600mA or POE 802.3af (7W)	

High Definition in Complete Darkness!

IP Dome Cameras

Outdoor and Indoor with IR & Varifocal Lens

Full HD
1080

ONVIF



MIPVD1600V



MIPD2V



MIPD1.3

FEATURES

(MIPVD1600V & MIPD2V only)

- Varifocal Lens Adjustment
- IR Cut Filter (ICR), IR LEDs, 3-DNR
- BNC Service Cable for easy focus
- Alarm In/Out, Audio In/Out
- IP66 Weatherproof (-22°F to 125°F) (VD only)

(All above IP Cameras)

- Wide Dynamic (digital)
- PoE - IEEE 802.3af Class 0
- Triple Streaming
- Three Level Motion Detection and Alarm
- Controllable frame rate and bandwidth

	MIPVD1600V	MIPD2V	NEW!	MIPD1.3
<i>LIST</i>	\$870	\$700		\$340
<i>Style</i>	Vandal/ Weatherproof Varifocal Lens with IR	Indoor Varifocal Lens with IR		Indoor Fixed Lens
<i>Image Sensor</i>	1/2.7" 2 Megapixel CMOS	1/2.7" 2 Megapixel CMOS		1/4" Megapixel CMOS
<i>Resolution</i>	1920 x 1080 (1080p) @ 30fps 1280 x 720 (720P) @ 30fps 640 x 480 (VGA) @ 30fps	1920 x 1080 (1080p) @ 30fps 1280 x 720 (720P) @ 30fps 640 x 480 (VGA) @ 30fps		1280 x 800 (1.3MP) @ 30fps 1280 x 720 (720P) @ 30fps 640 x 480 (VGA) @ 30fps
<i>Weather Rating</i>	Weather Proof (IP66) (-22°F to 125°F)	Indoor Only		Indoor Only
<i>Compression</i>		H.264/ M-JPEG/ MPEG4	(3GPP)	
<i>Lens</i>	3mm-9mm F1.8	3mm-9mm F1.8		4mm F 1.4
<i>IR Distance</i>	18 LEDs 45' IR	18 LEDs 45' IR		NA
<i>Min. Illumination</i>	Color (0.1), B/W (0.00 with IR)			Color (1)
<i>Angle of View</i>	36° ~ 127° (H), 22° ~ 69° (V)			50° (H), 30° (V)
<i>Features: (adjustable)</i>	Digital WDR, Day/Night w/IR, Brightness, Contrast, Hue, Saturation, Sharpness, Shutter Speed, AGC, Sense-Up, Flip, Mirror, Noise reduction, White Balance, Motion Detection, Privacy Mask			
<i>Camera Dimensions</i>	Ø137mm x 102 mm (H)	Ø132mm x 108 mm (H)		Ø110mm x 90mm (H)
<i>Power</i>	12VDC/600mA or POE 802.3af (7W)			



IP Mega Pixel Cameras



MIPFVD2



MIPW2

(lens not included)



MIPC2

FEATURES (MIPFVD2 only)

- 1/3" Progressive Scan CMOS
- H.264 / MJPEG / MPEG4
- Electronic Day/Night
- IP66 Weatherproof (-22°F to 140°F)
- ONVIF Compliant
- POE 802.3af (4W) or 12VDC/500mA

FEATURES (MIPW2 & MIPC2 only)

- 1/2.7" 2 Megapixel CMOS
- H.264/ M-JPEG/ MPEG4
- IR Cut Filter (ICR) (MIPC2 only)
- Digital WDR
- ONVIF Compliant
- POE 802.3af (5W) or 12VDC/500mA

Full HD
1080

NEW!

	MIPFVD2	MIPW2	MIPC2
LIST	\$390	\$420	\$580
Style	Vandal/ Weatherproof Flat Dome	Indoor Wireless Cube	Box Camera
Image Sensor	1/3" progressive scan CMOS	1/2.7" 2 Megapixel CMOS	1/2.7" 2 Megapixel CMOS
Resolution	1600 x 1200 (2MP) @ 12.5fps 1280 x 960 @ 25fps 1280 x 720 (720P) @ 25fps	1920 x 1080 (1080p) @ 30fps 1280 x 720 (720P) @ 30fps 640 x 480 (VGA) @ 30fps	1920 x 1080 (1080p) @ 30fps 1280 x 720 (720P) @ 30fps 640 x 480 (VGA) @ 30fps
Weather Rating	Weather Proof (IP66) (-22°F to 140°F)	Indoor Only	Indoor Only unless placed in an Outdoor Housing
Compression		H.264/ M-JPEG/ MPEG4	
Lens	4mm (3-Axis Rotation)	4.2mm @ F1.6	Lens not included. Use lens part # MVL358MI or MVL550MI
Min. Illumination	Color (0.05), B/W (0.1)	Color (0.5)	Color (0.1), B/W (0.05)
Angle of View	68° (H), 35° (V)	53° (H), 30° (V)	Determined by your Lens
Features: (adjustable)	Digital Day/Night, Brightness, Contrast, Hue, Saturation, Motion Detection, Tampering Alarm, Network Disconnect, IP Address Conflict	Digital WDR, Day/Night w/IR, Brightness, Contrast, Hue, Saturation, Sharpness, Shutter Speed, AGC, Sense-Up, Flip, Mirror, Noise reduction, White Balance, Motion Detection, Privacy Mask	
Camera Dimensions	∅ 100mm x 97mm x 46 mm	59mm (W) x 94mm (H) x 46mm (D)	65mm (W) x 58mm (H) x 132mm (L)
Power	12VDC/500mA or POE 802.3af (5W)		

2 Mega Pixel IP PTZ

FEATURES

- 1/3" Progressive Scan CMOS
- 320x Zoom (20x Optical, 16x Digital)
- Day/Night with (ICR)
- Wide Dynamic (digital) and 3D-DNR
- H.264 / MJPEG / MPEG4
- IP66 Weatherproof (-25°F to 150°F)
- 24VAC / 3A
- ONVIF Compliant
- Scheduled PTZ Movement
- Dual Streaming
- Preset Speed up to 400°/sec
- Alarm In/Out, Audio In/Out Cable
- BNC Service Cable for easy focus
- 360° Endless Pan with Auto Flip

NEW LOWER PRICE !



Mount Options

- Wall Mount (MIPZ2 - WMOUNT) \$80
- 8" Ceiling Mount (MIPZ2-CMOUNT) \$80
- Corner Mount (MIPZ2-CM) \$80
- Pole Mount (MIPZ2-PM) \$80

Ceiling Mount



Wall Mount



Pole Mount with Wall Mount attached



Corner Mount with Wall Mount attached



MIPZ2	
<i>LIST</i>	\$2400
<i>Image Sensor</i>	1/3" Progressive Scan CMOS
<i>Resolution</i>	1920 x 1080 (1080p) @ 25fps 1280 x 960 @ 25fps 1280 x 720 (720p) @ 25fps
<i>Weather Rating</i>	Weather Proof (IP66) (-22°F to 150°F)
<i>Compression</i>	H.264 / MJPEG / MPEG4
<i>Focal Length / Zoom</i>	320x Zoom ~ 5mm - 94mm (20x Optical, 16x Digital)
<i>Day/Night / WDR</i>	Day/Night (ICR), DWDR
<i>Min. Illumination</i>	Color (0.05), B/W (0.005), (0.00with IR)
<i>Angle of View</i>	3° ~ 58° (H) (V)
<i>Features: (adjustable)</i>	Day/Night w/IR, DWDR, Contrast, Hue, Saturation, Sharpness, Shutter Speed, AGC, Sense-Up, Flip, Mirror, Noise reduction, AWB, Motion Detection, Privacy Mask
<i>Camera Dimensions</i>	Ø 220 x 325mm (H)
<i>Weight</i>	5Kg (11.02lbs)
<i>Power</i>	24 VAC, 40W (Heater On), 20W(Heater Off)

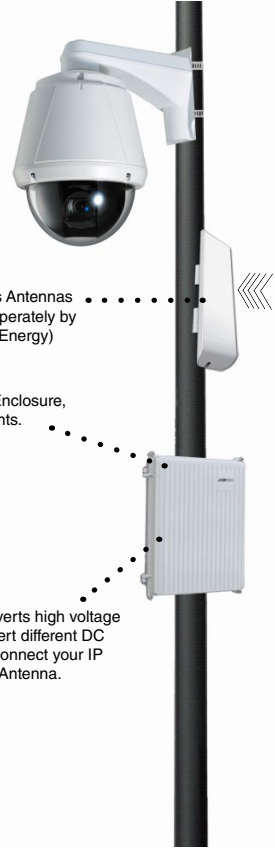
Wireless Solutions

Transmit IP Video for Miles

FEATURES

- Industrial Rated Electronics (-40°F to 150°F)
- Weather Proof NEMA 4X Enclosure, Powder Coated White to help lower inside temperature in Direct Sunlight
- Pre-wired Electronics - Just plug in your IP Camera & Antenna to power by PoE and connect together.
- Mount to a Wall or Light Pole
- 2.4GHz / 5GHz Wireless Antennas - (See VORP ENERGY for Antenna options)
- Input Power: 100-120VAC / 200-240VAC
- Output Power: Standard 802.3af & a† PoE for cameras
24VDC PoE for Antenna
24VAC for IP PTZ with heater/blower

NEW!



Wireless Antennas
(Sold Separately by
Vorp Energy)

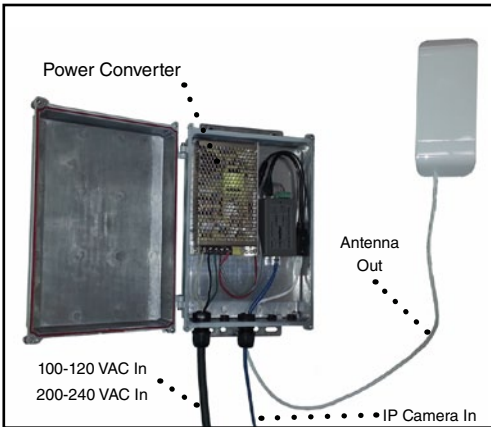
NEMA 4X Rugged White Cast Aluminum Enclosure,
(10"x 8"x 3") includes wall/pole mounts.

Pre-wired Electronics - Converts high voltage
to low. PoE devices convert different DC
voltages, inject power, & connect your IP
Camera & Wireless Antenna.

Camera, Pole, Wireless
Antennas not included

Applications:

- Parking Lot Light Poles
- Outpost Buildings
- Warehouses & Farms
- Anywhere you need to transmit video!



INDUSTRIAL POE ANTENNA/CAMERA POWER SOLUTION

MODEL #	LIST	ENCLOSURE TYPE	# POWER OUTPUTS FOR CAMERAS	OUTPUT POWER FOR CAMERA	OUTPUT VOLTAGE FOR ANTENNA
SPB-1AF-24	\$510	Cast Aluminum	1	PoE 802.3af	24 VDC PoE
SPB-1AT-24	\$596	Cast Aluminum	1	PoE 802.3a†	24 VDC PoE
SPB-24VAC-24	\$596	Cast Aluminum	1	24VAC @ 2A	24 VDC PoE
SPB-4AF-24	\$1050	Powder Coated Steel	4	PoE 802.3af/a†	24 VDC PoE

IP Solar Power Solutions

Transmit IP Video up to 20 Miles

FEATURES

- Transmit Video 24 hours a day and up to 5 days of backup power
- Industrial Rated Electronics (-40°F to 150°F)
- Weather Proof NEMA 4X Enclosure, Powder Coated Steel
- Pre-wired Electronics - Just mount panel and enclosure to pole then plug in your IP Camera & Antenna into included electronics
- Designed to Mount to a 4" Pole or a Wall
- Output Power: (Antenna) 24VDC PoE
(Camera) 802.3af & af PoE or 24VAC
- Kit Includes:
 - Solar Panel & Pole Mount
 - Powder Coated Steel Enclosure with Pole Mount
 - Charge Control, Converters, Injectors, Switches
- Kit Does Not Include:
 - IP Camera (Sold Separately)
 - Batteries (Sold Separately)
 - 2.4GHz / 5GHz Wireless Antennas
(See VORP ENERGY for Antenna options)

Battery Options

If you choose to purchase your Batteries locally be sure to use Sealed Lead Acid (AGM) or GEL type. Systems that use the 240 Watt Solar Panel must wire (2) of the same AHr Batteries in Series to get the needed 24VDC output.

- 12VDC 50Ah AGM Battery (B1250) \$200
- 12VDC 100Ah AGM Battery (B12100) \$400



Camera, Pole, &
Antenna Not Included

INDUSTRIAL POE ANTENNA/CAMERA POWER SOLUTION

MODEL #	LIST	SIZED FOR ZONE	SOLAR PANEL SIZE	POWER FOR # CAMERAS	# POWER OUTPUTS FOR CAMERA	MINIMUM BATTERY REQUIRED
SS120-16W	\$2570	1, 2	120 Watt	1	PoE 802.3af	(1) 12V 100Ahr
SS240-30W-2IP	\$3585	1, 2	240 Watt	2	(2) PoE 802.3af	(2) 12V 100Ahr
SS240-30W-1AT	\$3157	1, 2, 3 @ > +35°F	240 Watt	1	PoE 802.3 aT	(1) 12V 100Ahr
SS240-16W	\$3157	3, 4, 5	240 Watt	1	PoE 802.3af	(2) 12V 100Ahr

ADDITIONAL POWER OUTPUT OPTIONS

MODEL #	LIST	TERMINATION	OUTPUT VOLTAGE	INPUT VOLTAGE	AMPS / WATTS
CV-12DC24AC	\$240	Screw Terminal	24VAC	12VDC	1.7A, 40W
CV-24DC24AC	\$240	Screw Terminal	24VAC	24VDC	1.7A, 40W
VE-DC/DC-18	\$170	PoE	18 VDC PoE	9-36 VDC	1.0A, 18W
VE-DC/DC-24	\$170	PoE	24 VDC PoE	9-36 VDC	0.8A, 19W
VE-DC/DC-48M	\$170	PoE	48 VDC PoE	9-36 VDC	0.5A, 24W

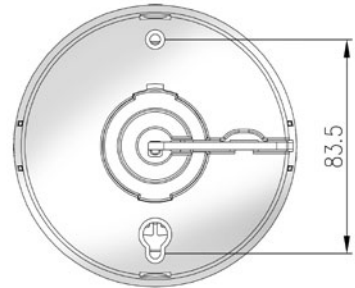
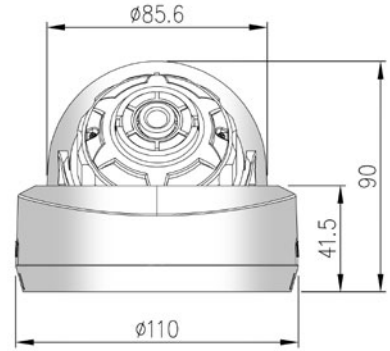
Indoor Varifocal Dome

FEATURES

- 1/3" SONY Super HAD II CCD
- Base/Dome Size: 110/85mm
- Extra Video-Out Port (RCA) for easy focus after installation
- 3-Axis Camera Mount (Tri-Axis)
- Weight (.6 lbs)

Super Low Light and Digital Wide Dynamic!

	D7VDN	D7VIR
<i>LIST</i>	\$238	\$270
<i>Resolution (TVL)</i>	650 Color / 720 B/W	
<i>WDR Day/Night</i>	DWDR 40db, Day/Night, ICR	
<i>Lens</i>	2.8mm-12mm Varifocal	
<i>Min. Illumination (in Lux)</i>	Color (0.001), B/W (0.0001), (0.00 with IR) D7VIR Smart IR with Distance @ 75'	
<i>Features</i>	OSD, Digital Wide Dynamic up to 40db, Privacy & Motion Zones, SDNR, BLC, AGC, AWB, Super Low Light Sense up (1024x)	
<i>Power</i>	24VAC/200mA 12VDC/350mA	24VAC/300mA 12VDC/600mA



(D7VDN)



(D7VIR)

Three Year Warranty!*

Weatherproof Vandal Domes

Super Low Light and Digital Wide Dynamic!

	VD7VDN	VD7VIR
<i>LIST</i>	\$306	\$350
<i>Resolution (TVL)</i>	650 Color / 720 B/W	
<i>WDR Day/Night</i>	DWDR 40db, Day/Night, ICR	
<i>Lens</i>	2.8mm-12mm Varifocal	
<i>Min. Illumination (in Lux)</i>	Color (0.001), B/W (0.0001), (0.00 with IR) VD7VIR Smart IR with Distance @ 75'	
<i>Features</i>	OSD, Digital Wide Dynamic up to 40db, Privacy & Motion Zones, SDNR, BLC, AGC, AWB, Super Low Light Sense up (1024x)	
<i>Power</i>	24VAC/200mA 12VDC/350mA	24VAC/300mA 12VDC/600mA

FEATURES

- 1/3" SONY Super HAD II CCD
- Flush or Surface Mount
- Base/Dome Size: 118/85mm
- Extra Video-Out Port (RCA) for easy focus after installation
- 3-Axis Camera Mount (Tri-Axis)
- Optional Wall Mount (WMOUNT1)
- Optional Ceiling Mount (CMOUNT1)
- Optional Flush Mount (FLUSHMOUNT1)
- Weight (1.2 lbs)
- Operating Temperature (-25°F to 130°F)
- Vandal/Weatherproof Housing (IP 67) Rated

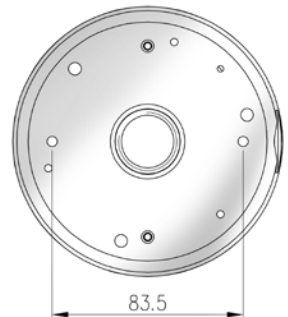
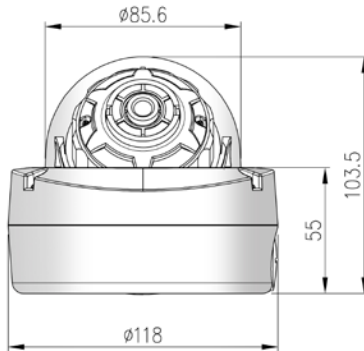
Three Year Warranty!*



(VD7VDN)



(VD7VIR)



Fixed Indoor Dome

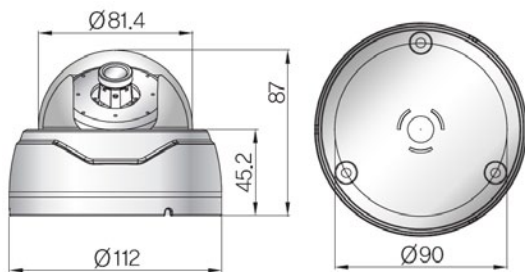
	D6B1	D6B1IR	D6W1	D6W1IR
<i>LIST</i>	\$114	\$138	\$114	\$138
<i>Dome Color</i>	Black	Black	White	White
<i>Resolution (TVL)</i>	600 Color / 700 B/W			
<i>Day/Night</i>	No	Day/Night with IR	No	Day/Night with IR
<i>Lens</i>	3.6 mm	3.6 mm	3.6 mm	3.6 mm
<i>Min. Illumination (in Lux)</i>	Color (0.1)	Color (0.1), (0.00 with IR)	Color (0.1)	Color (0.1), (0.00 with IR)
<i>Illumination Distance</i>	NA	75'	NA	75"
<i>Features</i>	AGC, BLC, AWB, Flickerless			
<i>Base/Dome Size</i>	112mm/81mm			
<i>Power</i>	DC12V/300mA	DC12V/500mA	DC12V/300mA	DC12V/500mA



(D6B1 / D6B1IR)



(D6W1 / D6W1IR)



FEATURES

- 1/3" High Sensitive CCD
- Base/Dome Size: 112mm/81mm
- 3.6mm Lens
- 3-Axis Camera Mount (Tri-Axis)
- (IR Camera only) IR distance 75'
- Weight (0.5 lbs)
- 12 VDC

Three Year Warranty!

Wide Dynamic Range Domes

80db Wide Dynamic

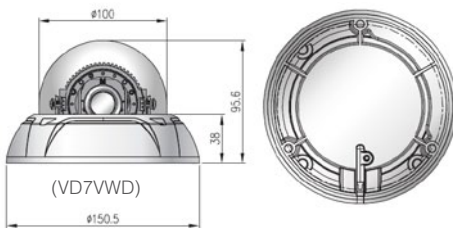
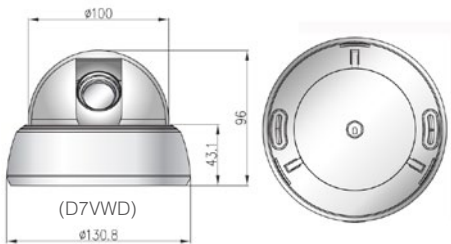
	VD7VWD	D7VWD
<i>LIST</i>	\$430	\$390
<i>Housing</i>	Weather/ Vandal Dome (IP67)	Indoor Dome
<i>Resolution (TVL)</i>	600 Color / 700 B/W	
<i>WDR Day/Night</i>	True WDR 80db, Day/Night, ICR	
<i>Lens</i>	2.8mm-12mm Varifocal	
<i>Min. Illumination (in Lux)</i>	Color (0.01), B/W (0.0003), (0.00 with IR)	
<i>Features</i>	OSD, Digital Wide Dynamic up to 80db, Privacy & Motion Zones, 3D-DNR, BLC, AGC, AWB, Digital Zoom, Low Light Sense up	
<i>Base/Dome Size</i>	150mm/100mm	130mm/100mm
<i>Power</i>	24VAC/300mA	12VDC/600mA

FEATURES

- 1/3" SONY Super HAD II CCD
- Extra Video-Out Port (RCA) for easy focus after installation
- 3-Axis Camera Mount (Tri-Axis)

VD7VWD only:

- Optional Wall Mount (WMOUNT2)
- Optional Ceiling Mount (CMOUNT2)
- Optional Tray Base (TBASE2)
- Weight (1.2 lbs)
- Operating Temperature (-25°F to 130°F)
- Vandal/Weatherproof Housing (IP 67)



(D7VWD)



(VD7VWD)

Three Year Warranty!

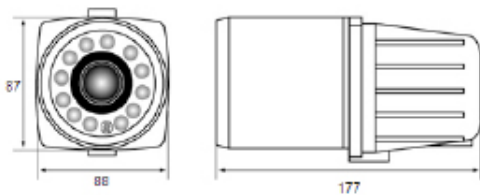
Long Range WDR IR Camera



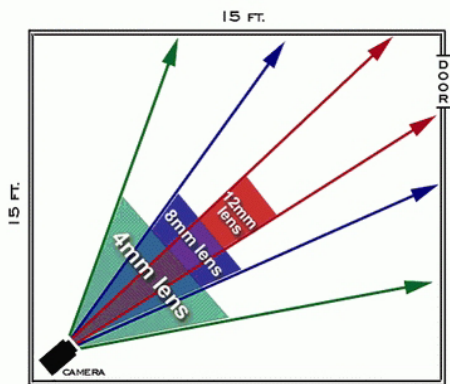
BIR6V5-50	
<i>LIST</i>	\$560
<i>Resolution (TVL)</i>	600
<i>Day/Night</i>	Day/Night, ICR
<i>Lens</i>	5-50mm
<i>Illumination Distance</i>	220'
<i>Additional</i>	OSD, Shading, Privacy, D-WDR, Intelligent IR, DNR, Test Video Out, ICR, External Zoom Control, BLC
<i>Power</i>	DC12V/700 mA

FEATURES

- 1/3" SONY Super HAD II CCD
- Weight (2.80 lbs)
- Weatherproof Housing (IP 66)
- OSD (On Screen Display Controls)
- External Zoom Control
- Intelligent IR
- D-WDR, Day/Night, ICR
- Extra Video-Out Port (RCA) for easy focus after installation
- Privacy, Shading, D-WDR
- Built in LED's & Sensor
- Operating Temp (-22°F to 122°F)
- 12 VDC/700mA



As you zoom in on a subject, your field of view gets more narrow.



Weatherproof IR Cameras

	BIR61	BIR6D1	BIR6V1
<i>LIST</i>	\$174	\$206	\$296
<i>Resolution (TVL)</i>	600 Color / 700 BW		
<i>Illumination Distance</i>	90'	90'	140'
<i>Lens</i>	3.6mm	6mm	2.8mm-12mm
<i>Diameter</i>	68mm	68mm	80mm
<i>Features</i>	AGC, BLC, Flickerless		
<i>Power</i>	DC12V/300 mA		DC12V/500mA, AC24V/250mA



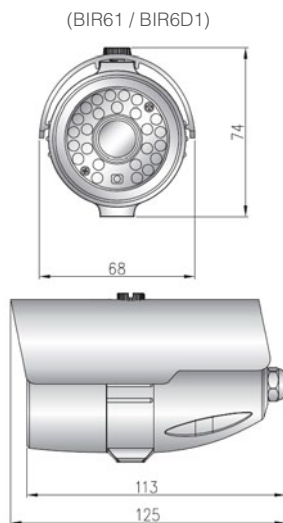
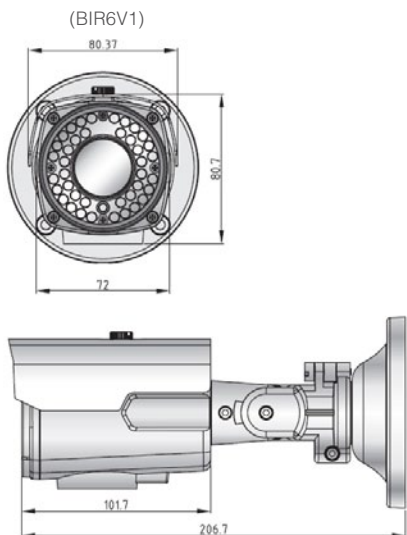
(BIR6V1)



(BIR61 / BIR6D1)

FEATURES

- 1/3" SONY CCD
- Weight (0.70 lbs)
- Weatherproof Housing (IP 67)
- Built in LED's & Sensor
- Intelligent IR (600TVL models only)
- Operating Temp (-25°F to 125°F)



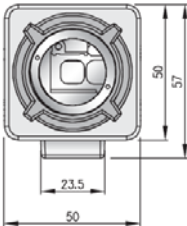
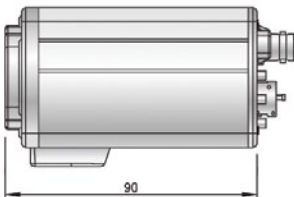
Box Cameras

Three Year Warranty!



FEATURES

- 1/3" SONY Super HAD II or Pixim Seawolf
- Weight (0.66 lbs)
- Dual Voltage - Non Polarity Sensitive
- Super Low Light Day/Night
- Lens Not Included
- Use Auto Iris Lenses

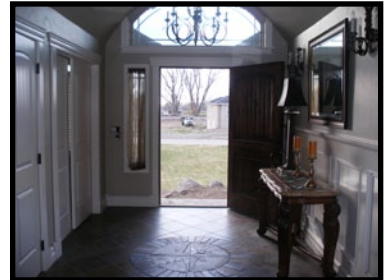


	C7DN	C7WD
<i>LIST</i>	\$190	\$330
<i>Sensor</i>	1/3" Sony Super HAD II	1/3" PIXIM Seawolf
<i>Resolution (TVL)</i>	650 Color / 720 B/W	690 TVL
<i>Wide Dynamic</i>	DWDR	WDR 120db
<i>Day/Night</i>	Super Low Light, Day/Night, ICR	
<i>Min. Illumination (in Lux)</i>	Color (0.01), B/W (0.0003, DSS on) (0.00 with IR)	Color (0.01), B/W (0.001, DSS on) (0.00 with IR)
<i>Features</i>	OSD, DSS, Digital Zoom, Sense up, 3DNR, Privacy and Motion Zone Functions, AWB, BLC	
<i>Power</i>	AC24V/250mA DC12V/500 mA	AC24V/250mA DC12V/500 mA

Wide Dynamic OFF



Wide Dynamic ON



License Plate Recognition

The **LPC8000** is designed to capture license plate images with exceptional image quality. The advanced special filter+IR+DSP design is optimized for license plate capture under any circumstances. The **LPC8000** combines an extremely high sensitive CCD and smart IR to provide a high contrast license plate image from vehicles moving up to 50 mph.

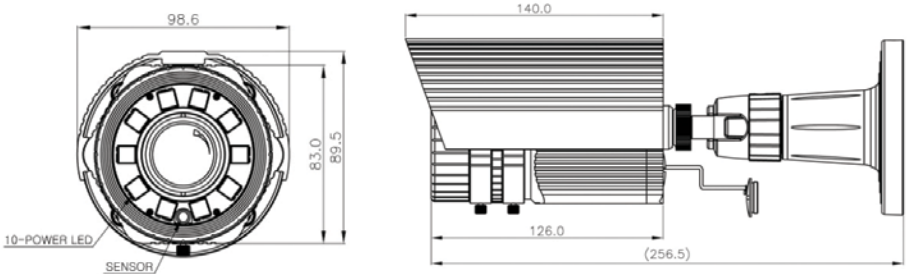
	LPC8000
<i>LIST</i>	\$1190

700 TVL



FEATURES

- 1/3" Sony Exview HAD II CCD
- 700 TVL Resolution
- Reflective filter and IR LED provide maximum legibility under headlight glare
- Plate capture up to 50mph
- License plate capture distance 16ft ~ 100ft
- Weatherproof (IP67 Rating)
- 24VAC Power



Covert Cameras



(CVTSMOKE600)



(CVTFIRE420)

COMPARE MODELS

	CVTSMOKE600	CVTFIRE420
<i>LIST</i>	\$148	\$300
<i>Description</i>	Smoke Detector Camera	Ceiling Sprinkler Camera
<i>Resolution (TVL)</i>	600	420
<i>Lens Size</i>	3.8mm	3.7mm Pinhole
<i>Min. Illumination (in Lux)</i>	Color (0.3)	Color (0.1)
<i>Power</i>	DC12V/300 mA	DC12V/150 mA

COMPARE MODELS

	CVTPIR580	CVTPIR420
<i>LIST</i>	\$188	\$109
<i>Description</i>	PIR Camera	PIR Camera
<i>Resolution (TVL)</i>	580	420
<i>Lens Size</i>	3.8mm Pinhole	3.7mm Pinhole
<i>Min. Illumination (in Lux)</i>	Color (0.05)	Color (0.8)
<i>Power</i>	DC12V/300 mA	DC12V/150 mA



(CVTPIR580 & CVTPIR420)

Value Line IR Cameras

NEW!
COMPARE MODELS

Model #	LIST	Resolution (TVL)	Lens	Illumination Distance	Features	Additional
VLBIR600	\$120	600	3.6mm	50'	Weatherproof	Cable inside Bracket
VLBIR600V	\$240	600	2.8-12mm	130'	Weatherproof	Cable inside Bracket
VLBIR650V5-50	\$440	650	5-50mm	200'	Weatherproof	Cable inside Bracket
VLVDTIR600	\$118	600	3.6mm	50'	Weatherproof	Vandal Resistant
VLVDTIR600V	\$196	600	2.8-12mm	90'	Weatherproof	Vandal Resistant



(VLVDTIR600)



(VLBIR650V5-50)



(VLVDTIR600V)



(VLBIR600V)



(VLBIR600)

In/Outdoor PTZ 18x/36x

FEATURES

NEW!

- 1/4" or 1/3" SONY Chipset
- 650 TVL Color / 700 TVL B/W
- Junction Box for easy clean install
- Day/Night ICR (36x has Wide Dynamic)
- Weatherproof Vandal Housing (IP 67) with Heater and Fan
- Operating Temp (-25°F ~ 140°F)
- Dome Size: 150mm
- Weight (10.5 lbs)
- Up to 400°/sec
- 24 VAC / 1.5A

Optional Mounts

- Corner Mount (ZCM) \$80
- Pole Mount (ZPM) \$80



COMPARE MODELS

	Z18W	Z18C	Z36W	Z36C
<i>LIST</i>	\$1180		\$1580	
<i>Mount</i>	Wall	Ceiling	Wall	Ceiling
<i>Sensor</i>	1/3" Sony Exview HAD CCD		1/4" Sony Super HAD II CCD	
<i>Resolution (TVL)</i>	650 Color / 700 B/W		650 Color / 700 B/W	
<i>Day/Night, WDR</i>	Day/Night, ICR		Wide Dynamic, Day/Night, ICR	
<i>Zoom</i>	216x Zoom, 18x Optical - 4.5mm ~ 85mm 12x Digital		1,152x Zoom, 36x Optical - 3.3mm ~ 122mm 32x Digital	
<i>Min. Illumination (in Lux)</i>	Color (0.2), B/W (0.02) B/W (0.00, IR LED on)		Color (0.001), B/W (0.0003) B/W (0.00, IR LED on)	
<i>Shutter Speed</i>	1-32 degree adjustable		Auto, x512 (DSS)	
<i>Features</i>	OSD, DNR, 2DNR, 3DNR, Backlight, Day/Night, WDR (36x only), 8 Privacy Zones, 128 presets, Auto flip, Alarm in/out			



PTZ Controller
(PTZCONTROL)

\$567

300' IR PTZ 18x/36x

FEATURES

- 1/4" or 1/3" SONY Chipset
- 650 TVL Color / 700 TVL B/W
- 6 High Power OSRAM LEDs (300' range)
- Wiper Blade
- Junction Box for easy clean install
- Day/Night ICR (36x has Wide Dynamic)
- Weatherproof Vandal Housing (IP 67) with Heater and Fan
- Operating Temp (-31°F ~ 140°F)
- Dome Size: 150mm
- Weight (10 lbs)
- Up to 400°/sec
- 24 VAC / 1.5A

NEW!

IR Range 300'



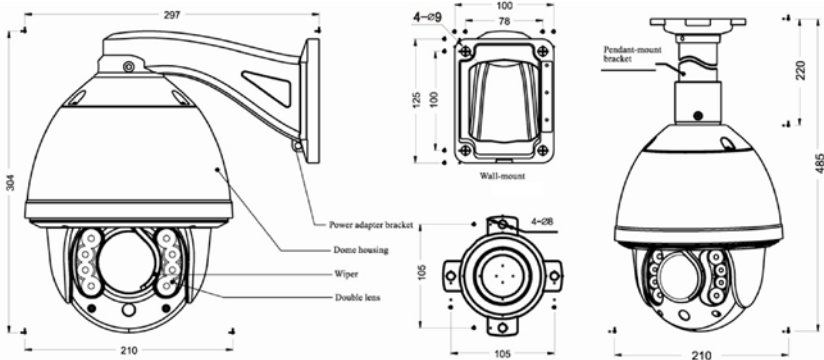
Optional Mounts

- Corner Mount (ZCM) \$80
- Pole Mount (ZPM) \$80



COMPARE MODELS

	Z18IRW	Z18IRC	Z36IRW	Z36IRC
<i>LIST</i>		\$1580		\$1990
<i>Mount</i>	Wall	Ceiling	Wall	Ceiling
<i>Sensor</i>	1/3" Sony Exview HAD CCD		1/4" Sony Super HAD II CCD	
<i>Resolution (TVL)</i>	650 Color / 700 B/W		650 Color / 700 B/W	
<i>Day/Night, WDR</i>	Day/Night, ICR		Wide Dynamic, Day/Night, ICR	
<i>Zoom</i>	216x Zoom, 18x Optical - 4.5mm ~ 85mm 12x Digital		432x Zoom, 36x Optical - 3.3mm ~ 122mm 12x Digital	
<i>Features</i>	OSD, DNR, 2DNR, 3DNR, Backlight, Day/Night, WDR (36x only), 8 Privacy Zones, 128 presets, Auto flip, Alarm in/out			



IR Illuminators

— Infrared Light

Light up the Night!

Up to 250'

Use a D/N camera with an ICR (IR cut filter) & DSS and you can see in total darkness up to 250'.

	IR180	IR250
<i>LIST</i>	\$194	\$230



<i>IR Distance</i>	180'	250'
<i>Spread</i>	30°	15°
<i>IP Rated</i>	66	66
<i>Power</i>	12VDC (2000mA)	12VDC (2000mA)

IR Distance rating based on Camera using Digital Slow Shutter (DSS)



30mm @ 400' with C7WD (DSS on)
using IR Illuminator



60mm @ 400' with C7WD (DSS on)
using IR Illuminator

LCD Monitors

LCD19A

LCD26PV

LIST

\$618

\$1550



<i>Monitor</i>	19" LCD	26" Public View w/built in WDR camera
<i>Resolution</i>	1280x1024	1366 x 768 @ 60Hz
<i>Dimensions</i>	16.9 x 14.4 x 2.8in	25.6 x 18.3 x 4in
<i>Weight</i>	14 lbs	35 lbs
<i>Features</i>	2x BNC in/out, VGA, Looping BNC Video Input, Audio Input, 2D Comb Filter, UL, Multi-lingual Rated at 50,000 hours.	Metal Case with built-in Wide Dynamic Camera, BNC In, VGA In, BNC Out for Built in Camera, OSD

VGALCD19

VGALCD23

LIST

\$298

\$460



<i>Monitor</i>	19" VGA LCD	23" VGA LCD
<i>Resolution</i>	1440 x 900	1920 x 1080 (1080P)
<i>Dimensions</i>	18 x 14 x 2in	22 x 16 x 3in
<i>Weight</i>	10 lbs	11 lbs
<i>Features</i>	VGA Input	VGA & DVI Inputs

Monitor Mounts

Articulating LCD Mount



(LCD101)
(\$78)

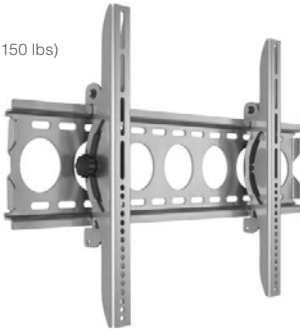
Tilting LCD Mount



(Hold up to 33 lbs)

(LCD301)
(\$48)

Tilting Wall Mount



(Hold up to 150 lbs)

(M140)
(\$168)

Adjustable Ceiling Mount



(MC105)

(\$150)

(Hold up to 50 lbs)

34" to 62" Extension

Lenses

COMPARE MODELS

	VL2812AI	VL660AI	VL5100IR	MVL2812AI	MVL550AI
<i>LIST</i>	\$86	\$114	\$143	\$95	\$394
					
<i>Focal Length (mm)</i>	2.8-12mm	6-60mm	5-100mm	2.8-12mm	5-50mm
<i>Iris Range</i>	1.4-360	1.4-360	1.8-360	1.4-360	1.4-360
<i>Mount Format</i>	CS - 1/3"	CS - 1/3"	CS - 1/3"	CS - 1/3"	CS - 1/3"
<i>Image @ 100'</i>	157'x117' @ 2.8mm	73'x55' @ 6mm	88'x66' @ 5mm	157'x117' @ 2.8mm	88'x66' @ 5mm
<i>WxH</i>	36'x27' @ 12mm	7'x5' @ 60mm	4'x3' @ 100mm	36'x27' @ 12mm	10'x7' @ 50mm
<i>Iris</i>	DC Auto Iris	DC Auto Iris	DC Auto Iris	Auto Iris	Auto Iris



6mm @ 115'



60mm @ 115'

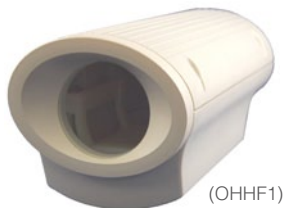


12mm @ 115'

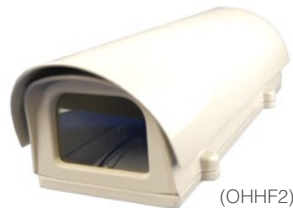
Camera Mounts & Housings



(OH & OHHF)



(OHHF1)



(OHHF2)

HOUSINGS

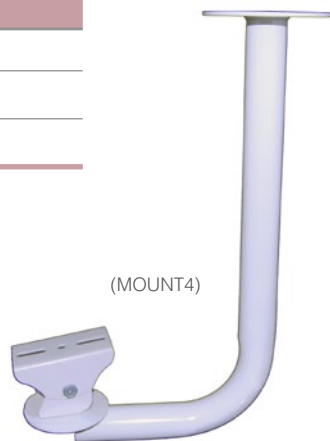
MODEL #	LIST	DESCRIPTION	Use this Mount Model #
OH	\$31	Outdoor Housing	MOUNT1 or MOUNT4
OHHF	\$46	Outdoor Housing with Heater and Blower (24VAC)	MOUNT1 or MOUNT4
OHHF1	\$79	Outdoor Housing with Heater and Blower (24VAC)	MOUNT5
OHHF2	\$93	Heavy Duty Outdoor Housing with Heater and Blower (24VAC)	MOUNT5

MOUNTS FOR OH & OHHF

MODEL #	LIST	DESCRIPTION
MOUNT1	\$12	Mount for Outdoor Housing (OH & OHHF)
MOUNT5	\$18	Mount for Outdoor Housing (OHHF1 & OHHF2)
MOUNT4	\$48	Ceiling J-Mount for Outdoor Housing (OH & OHHF)



(MOUNT1)



(MOUNT4)



(MOUNT5)

MOUNT FOR OHHF1 & OHHF2

MODEL #	LIST	DESCRIPTION
<i>MOUNT5</i>	\$18	Mount for Outdoor Housing (OHHF1 & OHHF2)

OTHER MOUNTS

MODEL #	LIST	DESCRIPTION
<i>MOUNT2</i>	\$12	T-Bar, Ceiling, Pedestal Camera Mount
<i>PMOUNT1</i>	\$20	Pole Mount Adapter for Outdoor Housing (OH, OHHF)
<i>IPODWMOUNT</i>	\$55	Wall Mount for IP Vandal Dome Camera (MIPVD1600V)
<i>WMOUNT1</i>	\$70	Wall Mount Bracket for VD7VDN & VD7VIR (White)
<i>CMOUNT1</i>	\$90	Ceiling Mount Bracket for VD7VDN & VD7VIR (White)
<i>FLUSHMOUNT1</i>	\$20	Flush Mount Bracket for VD7VDN & VD7VIR
<i>TBASE2</i>	\$40	Optional Base for VD7VWD (See VD7VWD page for image)
<i>WMOUNT2</i>	\$70	Wall Mount Bracket for VD7VWD (White)
<i>CMOUNT2</i>	\$90	Ceiling Mount Bracket for VD7VWD (White)
<i>CORNERMOUNT2</i>	\$45	Corner Mount Bracket for VD7VWD Use with Part # WMOUNT1



(MOUNT2)



(CMOUNT1)
(CMOUNT2)



(IPODWMOUNT)

(WMOUNT1)
(WMOUNT2)



Power Over Ethernet Switches



NEW!



MODEL #	POE4	POE8	POE16
LIST	\$150	\$270	\$700
Network Protocol & Standard	IEEE 802.3af Power over Ethernet IEEE 802.3 10BASE-T Ethernet IEEE 802.3u 100BASE-T Fast Ethernet IEEE 802.3 NWay Auto-Negotiation		IEEE 802.3af Power over Ethernet IEEE 802.3 10BASE-T Ethernet IEEE 802.3u 100BASE-TX Fast Ethernet IEEE 802.3x Full Duplex Flow Control
Ports	10/100Mbps: x 5 PoE Power: x 4	10/100Mbps: x 8 PoE Power: x 8	10/100Mbps: x 16 PoE Power: x 16
Data Transfer Rate	Ethernet: 10Mbps (half-duplex), 20Mbps (full-duplex) Fast Ethernet: 100Mbps (half-duplex), 200Mbps (full-duplex)		
Network Cables	10BASE-T: 2-pair UTP Cat 3, 4, 5 up to 100 meters 100BASE-Tx: 2-pair UTP Cat 5, 5e up to 100 meters		
Number of Ports (auto-MDIX)	5 x 10/100Mbps RJ-45 ports with 4 PoE enabled ports	8x 10/100Mbps RJ-45 ports with 8 PoE enabled ports	16 x 10/100Mbps RJ-45 ports with 16 PoE enabled ports
PoE power on RJ-45	Power + : pin 3 & pin 6		Power - : pin 1 & pin 2
AC to DC power supply	Input: 110V ~ 240VAC Output: 48VDC / 1.5A	Input: 110V ~ 240VAC Output: 48VDC / 2.5A	Input: 110V ~ 240VAC Output: 48VDC / 300W
Total PoE power	56 Watts max	112 Watts max	246 Watts max
Total Power Consumption	60 Watts max	120Watts max	300 Watts max
PoE Power	Up to 15.4 watts max per port for all ports 2 - 5	Up to 15.4 watts max per port for all ports 1-8	Up to 15.4 watts max per port for all ports 1 – 16
Dimensions / Weight	115mm (W) x 86mm (D) x 26mm (H) / 1 Kg	172mm (W) x 95mm (D) x 32mm (H) / 1.5 Kg	430mm (W) x 256mm (D) x 66mm (H) / 7.0 Kg
Temperature	Operation: 0 °C ~ 40 °C or 32 °F ~ 104 °F (Relative Humidity 5% ~ 95%) Storage: -10 °C ~ 70 °C or 14 °F ~ 158 °F		
MAC Address Learning	Automatic Update		

POE16



Power Supplies & Surge Protection

MULTI-CAMERA POWER SUPPLIES

MODEL #	LIST	VOLT-AGE	INPUTS	AMPS	MOUNT	PTC
DC4ULB	\$98	12	4	3.7	WALL	YES
DC9ULB	\$130	12	9	5.4	WALL	YES
DC16ULB	\$198	12	16	8	WALL	YES
P-16DCUL	\$300	12	16	12	WALL	YES
RM-DC16	\$415	12	16	8	RACK	YES
AC4ULB	\$90	24	4	4	WALL	YES
AC9ULB	\$110	24	9	4	WALL	YES
AC16ULB	\$190	24	16	8	WALL	YES
P-AC16UL	\$290	24	16	15	WALL	YES
RM-AC16	\$386	24	16	12	RACK	YES
PTZ-AC4UL	\$250	24	4	8.4	WALL	YES



(WALL MOUNT)



(RACK MOUNT)

SINGLE CAMERA POWER SUPPLIES

MODEL #	LIST	VOLTAGE	INPUTS	AMPS	MOUNT
DC2A	\$14	12	1	2	TRANSFORMER
AC40VA	\$14	24	1	1.6	TRANSFORMER
OD-AC1UL	\$188	24	1	4	WALL



(TRANSFORMERS)

POWER ACCESSORIES

MODEL #	LIST	DESCRIPTION
1TO4P	\$18	DC Pigtail Power Adapter 1 to 4 (use DC2A)
CABLE60	\$24	RG59 (with BNC) + Power Cable (with connectors), 60ft.
FDCPG	\$3	DC Female Pigtail Adapter (24")
MDCPG	\$3	DC Male Pigtail Adapter (24")
SP1VP12	\$57	Over Voltage and Current protection for Video and 12 VDC Power. In/Out (1 video - BNC & Power - Screw Terminals) 15Volt RMS, Self-Resetting
SP1VPD24	\$90	Over Voltage and Current protection for Video and 24 VAC Power & Data. In/Out (1 video - BNC & Power/Data - Screw Terminals) 28 Volt RMS, Self-Resetting



(OD-AC1UL)



(1TO4P)



(CABLE 60)



(SP1VP12)



(SP1VPD24)

Passive UTP Baluns

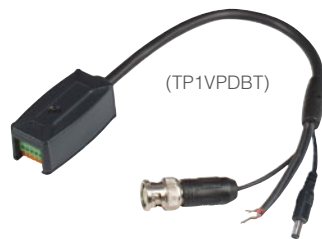
—Transmit your Video over Twisted Pair!

BALUNS

MODEL #	LIST	DESCRIPTION	FEATURES
MBALUN	\$10	Mini Balun	47mm x 17mm x 14mm
MBALUNL	\$10	Mini Balun with Pigtail	Includes 6 1/2" BNC Lead 47mm x 17mm x 14mm
TP1VPBR	\$23	Balun for Video & Power	BNC Male To RJ45 Female With Power Cord Use with 12 or 24 Volt Power Only
TP1VPDBT	\$34	Balun for Video, Power, & Data Terminal Termination	Video/Power & Data over Cat5 Use with 12 or 24 Volt Power Only
TP1VPDBR	\$34	Balun for Video, Power, & Data RJ45 Termination	Video/Power & Data over Cat5 Use with 12 or 24 Volt Power Only

FEATURES

- Transmit (B/W 400M), (Color 300M)
- Cable: CAT5/5e (AWG 24)
- No Power Required



Use MDCPG adapter for this power end!



Passive UTP Hubs

— Transmit Multiple Video Signals

(TP4VTR)



(TP16VTB)



FEATURES

- Transmit (B/W 400M), (Color 300M)
- Cable: CAT5 (AWG 24)

(TP4VPRR)



(TP4VDBR)



(TP16VRB)



PASSIVE HUBS

MODEL #	LIST	DESCRIPTION	FEATURES
TP4VTR	\$60	4 Channel Video Hub	Transmit 4 Channels of Video thru 1 CAT5 Cable Input: (4) BNC - Output: (1) RJ-45 and (8) Terminal
TP4VPRR	\$68	4 Channel Video Hub	Transmit 4 Channels of Video thru 1 CAT5 Cable Input: (4) RJ-45, (1) Power - Output: (1) RJ-45
TP4VDBR	\$72	4 Channel Video Hub or 3 Video with 1 Data	Transmit 4 Channels of Video and Data thru 1 CAT5 Cable Input: (4) BNC, (1) Terminal Block - Output: (1) RJ-45
TP16VRB	\$500	16 Channel Video Hub RJ45 Termination	16 Passive Baluns in a 1U Rackmount Hub Input: (4) RJ-45 - Output: (16) BNC
TP16VTB	\$550	16 Channel Video Hub Terminal Termination	16 Passive Baluns in a 1U Rackmount Hub Input: 4-8 Pin Terminal Blocks - Output: (16) BNC
CA14VBB	\$66	BNC Video Distributor	1 BNC Input to 4 BNC Outputs, Turns 1 Channel of Video into 4
TP16PI	\$300	16 Cable Integrator Hub (Video, Power, Data)	Individual Power Inputs for Different Voltages Built in Surge Protection for Data, 1U Rackmount Case

Active UTP Hubs

— Transmit Video & Data up to 1 Mile!



(TA1VT)



(TA1VR)



(TA1AVDT)



(TA1AVDR)

ACTIVE HUBS

MODEL #	LIST	DESCRIPTION	FEATURES
TA1VT	\$70	Active Video & Data Transmitter	Transmit Video & Data (RS422, RS485) up to 1 Mile Built in Transient Protection and Ground Lifting
TA1VR	\$80	Active Video & Data Receiver	Receive Video & Data (RS422, RS485) up to 1 Mile Built in Transient Protection and Ground Lifting
TA1AVDT	\$84	Active Video, Audio & Data Transmitter	Transmit Video, Audio & Data (RS422, RS485) up to 1 Mile Built in Transient Protection and Ground Lifting
TA1AVDR	\$95	Active Video, Audio & Data Receiver	Receive Video, Audio & Data (RS422, RS485) up to 1 Mile Built in Transient Protection and Ground Lifting



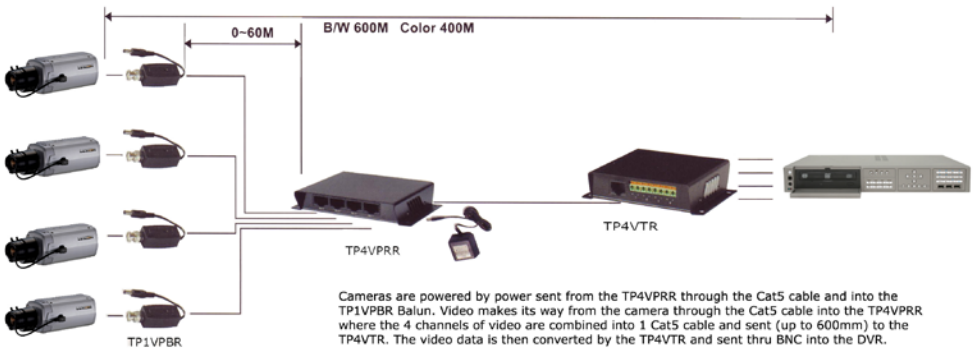
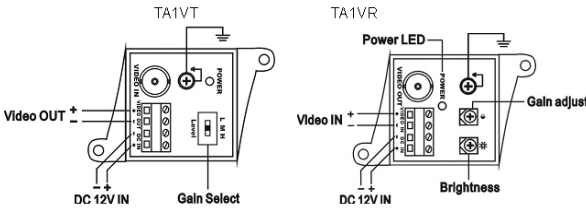
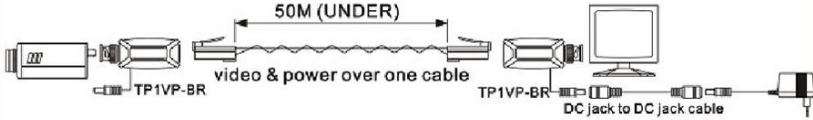
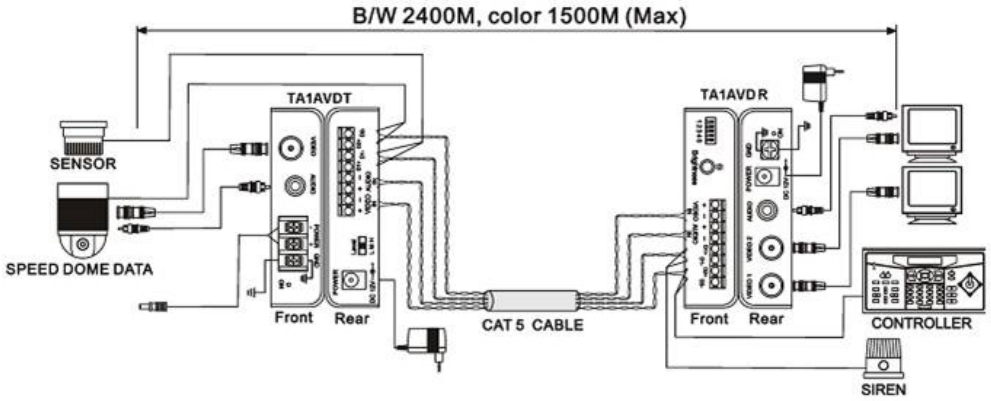
(TA8VTB)

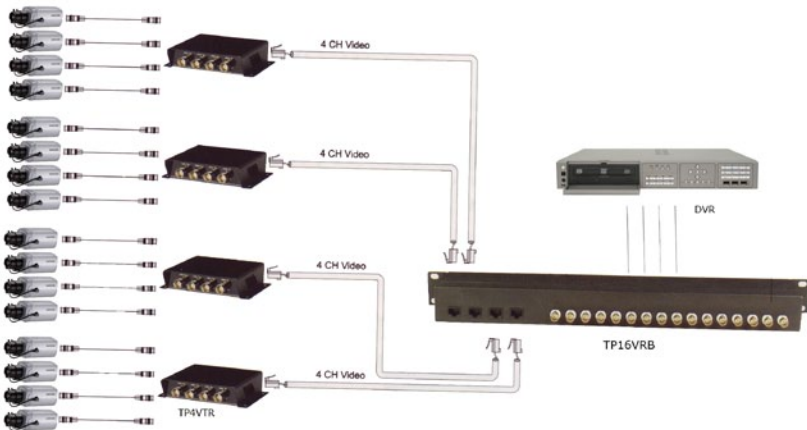
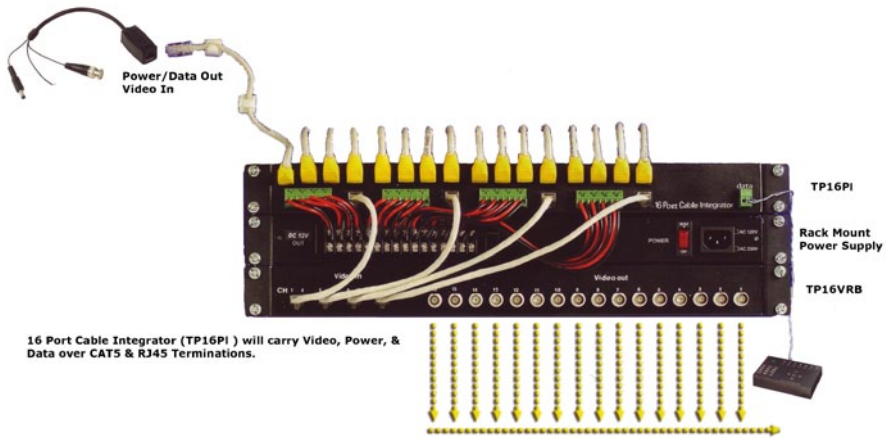
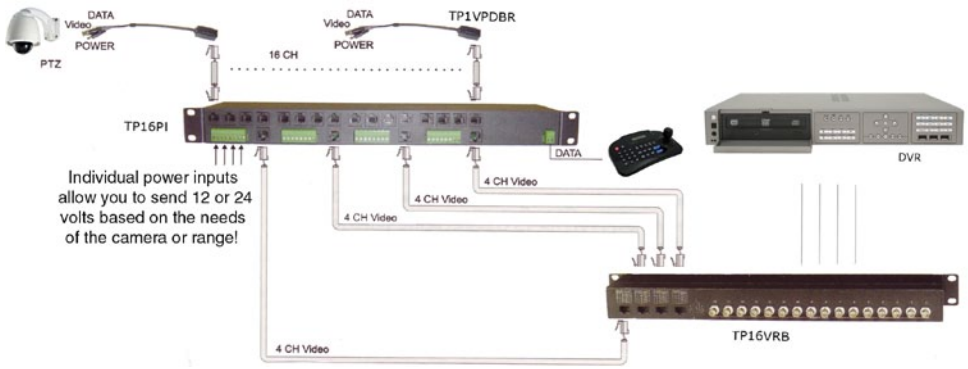


(TA16VTB)

MULTI-CHANNEL ACTIVE HUBS

MODEL #	LIST	DESCRIPTION	FEATURES
TA8VTB	\$750	8 Channel Video Hub Transmitter	Transmit Video & Data (RS422, RS485) up to 1 Mile Built in Transient Protection and Ground Lifting
TA16VTB	\$1246	16 Channel Video Hub Transmitter	Receive Video & Data (RS422, RS485) up to 1 Mile Built in Transient Protection and Ground Lifting





➤ View the UTP Training at www.luxonvideo.com

Auto White Balance (AWB):

Electronic circuitry in a color camera that helps yield perfect color pictures in different types of lighting.

Automatic Gain Control (AGC):

Electronic circuitry in a camera that helps it improve performance in low light conditions.

Back Light Compensation (BLC):

Ability of a camera to balance the lighting in a scene from a bright background such as sunlight. Not to be confused with Wide Dynamic Range (WDR).

Charge Coupled Device (CCD):

The device in a camera that "captures" the picture and converts it into Electronic Signals.

Day/Night:

A feature of a camera that displays color pictures in good lighting conditions, and automatically switches to B/W in low light conditions.

Digital Video Recorder (DVR) (HVR) (NVR):

A device that records IP or analog camera video signals on to built in Hard Drives.

Depth of Field:

The portion of a video picture that is in focus.

Field of View:

Area covered by the camera.

Lens Size	Viewing Angle (degrees)		Field of View (in feet) (Approximate Values for 1/3" 4:3 chip)											
			5' away		10' away		15' away		25' away		50' away		100' away	
mm	Width	Height	W'	H'	W'	H'	W'	H'	W'	H'	W'	H'	W'	H'
2.8	81°	65°	14'	10'	28'	21'	42'	31'	70'	52'	140'	105'	280'	210'
3.6	67°	53°	7'	5.7'	15'	11.4'	22'	17'	37'	28'	75'	57'	150'	114'
4.3	58°	45°	6'	4.6'	12'	9'	18'	14'	30'	23'	61'	46'	122'	92'
6	44°	33°	3'	2.9'	8'	6'	11'	9'	19'	14'	38'	29'	76'	58'
8	33°	25°	2.9'	2.2'	5.8'	4.4'	8.7'	6.6'	14'	11'	29'	22'	58'	44'
12	23°	17°	1.9'	1.5'	3.8'	2.8'	5.7'	4.5'	9.5'	7.5'	19'	15'	38'	28'
16	17°	13°	1.4'	1.1'	2.8'	2.2'	4.2'	3.3'	7'	5.5'	14'	11'	28'	22'
25	11°	8°	1'	0.7'	2'	1.4'	3'	2.1'	5'	3.5'	10'	7'	20'	14'
50	5.5°	4.1°	0.4'	0.3'	0.8'	0.6'	1.2'	0.9'	2'	1.5'	4'	3'	8'	6'

Focal Length:

The coverage of the lens in mm. Smaller numbers give a wider area of coverage.

Ground Loop:

When a camera and monitor are powered from sources using different grounds with different ground potentials or if a path for current flow (other than the coax) exist, then ground loops are possible. This can be fixed by installing a ground loop corrector or power all cameras from the same source as the monitor.

LUX:

A measure of light equaling 1/10th of a foot-candle.

LUX and Low Light Chart			
Condition	Illumination		Details
	Foot Candles	LUX (approx.)	
Sunlight	10,000	108,00	Daylight Range
Full Daylight	1,000	10,800	
Overcast Day	100	1,080	
Very Dark Day	10	108	
Twilight	1	11	
Deep Twilight	0.1	1	
Full Moon	0.01	0.1	Low Light Level Range
Quarter Moon	0.001	0.01	
Starlight	0.0001	0.001	
Overcast Night	0.00001	0.0001	

Resolution:

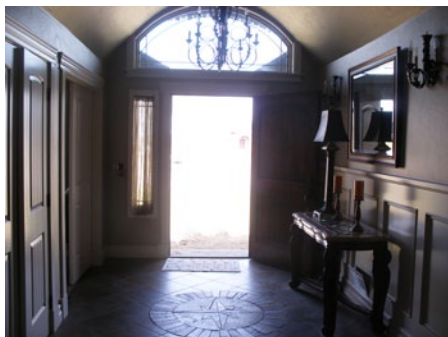
The measure of a camera's ability to reproduce details by way of TV Lines or Pixels.

Analog Camera Measurement - TV Lines are measured by way of horizontal lines of resolution.

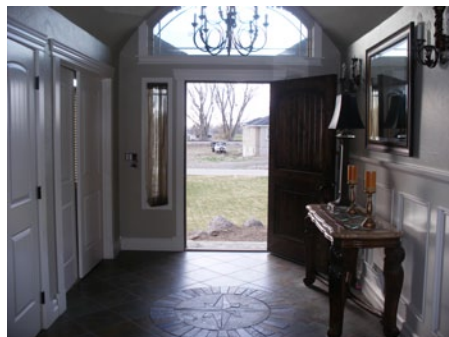
IP Camera Measurement - is usually measured as **width x height** with units in pixels: for example, 1280 x 1024 which is approximately the same as (1.3 mega pixel).

Wide Dynamic Range (WDR):

The WDR function of a camera is intended to provide clear images even under back light circumstances where intensity of illumination can vary excessively, namely when there are both very bright and very dark areas simultaneously in the field of view of the camera. WDR enables the capture and display of both bright and dark areas in the same frame, in a way that there are details in both areas, such as bright areas are not saturated, and dark areas are not too dark.



Wide Dynamic OFF



Wide Dynamic ON

For more glossary terms see luxonvideo.com

PART #	pg.	PART #	pg.	PART #	pg.	PART #	pg.
1TO4P	35	LIN104M-120-3TB	6	MVL550MI	31	TP4VDBR	37
AC16ULB	35	LIN104M-120-500GB	6	NVRH1-32-12TB	4	TP4VPRR	37
AC40VA	35	LIN108M-240-1TB	6	NVRH1-32-3TB	4	TP4VTR	37
AC4ULB	35	LIN108M-240-2TB	6	NVRH1-32-6TB	4	VD7VDN	17
AC9ULB	35	LIN108M-240-3TB	6	NVRH1-32-9TB	4	VD7VIR	17
BIR61	21	LIN108M-240-500GB	6	OD-AC1UL	35	VD7VWD	19
BIR6D1	21	LIN116M-480-1TB	6	OH	32	VE-DC/DC-18	15
BIR6V1	21	LIN116M-480-2TB	6	OHHF	32	VE-DC/DC-24	15
BIR6V5-50	20	LIN116M-480-3TB	6	OHHF1	32	VE-DC/DC-48	15
C7DN	22	LIN16-480-1TB	5	OHHF2	32	VGALCD19	29
C7WD	22	LIN16-480-3TB	5	P-16DCUL	35	VGALCD23	29
CA14VBB	37	LIN16-480-6TB	5	P-AC16UL	35	VL2812AI	31
CABLE60	35	LIN8-240-1TB	5	PMOUNT1	33	VL5100IR	31
CMOUNT1	33	LIN8-240-2TB	5	POE16	34	VL660AI	31
CMOUNT2	33	LIN8-240-4TB	5	POE4	34	VLBIR600	25
CORNERMOUNT2	33	LIN8-240-500GB	5	POE8	34	VLBIR600V	25
CV-12DC24AC	15	LINAUDIOCABLE16	5	PTZ-AC4UL	35	VLBIR650V5-50	25
CV-24DC24AC	15	LINDVI	5	REMOTE2	5	VLVDTIR600	25
CVTFIRE420	24	LINRACKEARS	5	RM-AC16	35	VLVDTIR600V	25
CVTPIR420	24	LPC8000	23	RM-DC16	35	WMOUNT1	33
CVTPIR580	24	M140	30	SP1VP12	35	WMOUNT2	33
CVTSMOKE600	24	MBALUN	36	SP1VPD24	35	Z18C	26
D6B1	18	MBALUNL	36	SPB-1AF-24	14	Z18IRC	27
D6B1IR	18	MC105	30	SPB-1AT-24	14	Z18IRW	27
D6W1	18	MDCPG	35	SPB-24VAC-24	14	Z18W	26
D6W1IR	18	MIPB1.3V	10	SPB-4AF-24	14	Z36C	26
D7VDN	16	MIPB1600V	10	SS120-16W	15	Z36IRC	27
D7VIR	16	MIPB5V	10	SS240-16W	15	Z36IRW	27
D7VWD	19	MIPC2	12	SS240-30W-1AT	15	Z36W	26
DC16ULB	35	MIPD1.3	11	SS240-30W-1AT	15		
DC2A	35	MIPD2V	11	SS240-30W-2IP	15		
DC4ULB	35	MIPFVD2	12	TA16VTB	38		
DC9ULB	35	MIPVD1600V	11	TA1AVDR	38		
FDCPG	35	MIPW2	12	TA1AVDT	38		
FLUSHMOUNT1	33	MIPZ2	13	TA1VR	38		
IPODWMOUNT	33	MIPZ2-CM	13	TA1VT	38		
IR180	28	MIPZ2-CMOUNT	13	TA8VTB	38		
IR250	28	MIPZ2-PM	13	TBASE2	33		
LCD101	30	MIPZ2-WMOUNT	13	TP16PI	37		
LCD19A	29	MOUNT1	32	TP16VRB	37		
LCD26PV	29	MOUNT2	33	TP16VTB	37		
LCD301	30	MOUNT4	32	TP1VPBR	36		
LIN104M-120-1TB	6	MOUNT5	32	TP1VPDBR	36		
LIN104M-120-2TB	6	MVL2812MI	31	TP1VPDBT	36		

EVERYTHING YOU NEED TO KNOW ABOUT THE
VIDEO SURVEILLANCE WORLD IS AVAILABLE AT
LUXON UNIVERSITY!

FREE TRAININGS
@
WWW.LUXONUNIVERSITY.COM



LUXON
UNIVERSITY

4774 South HWY 191, Suite #1 • Rexburg • ID • 83440

Phone: 800-844-9937 • Fax: 208-356-0162 • www.luxonvideo.com