

## FEATURES

- Available 4' or 8'
- Heavy duty channel with longitudinal reinforcing ribs for added rigidity and easy slide clamp hanging
- ¼ turn fasteners retain the ballast cover for quick and easy installation
- Telescopic spring loaded lampholders
- Channel ends double as joiners
- Individual or row mounting. Surface or suspended

## PROJECT INFORMATION

Project Name \_\_\_\_\_

Type \_\_\_\_\_

Catalog No. \_\_\_\_\_

Date \_\_\_\_\_

## CONSTRUCTION

Heavy steel housing with longitudinal reinforcing ribs for extra strength.

## FINISH

White painted parts are treated with a five stage phosphate bonding process and finished with a high reflectance baked enamel.

## ELECTRICAL

Standard class "P", thermally protected, auto-resetting HPF ballast, sound rated A. All ballast leads extend a minimum of 6" through access location. NEC/CEC-compliant ballast disconnect is standard.

## CERTIFICATION

All luminaires are built to UL 1598 standards and bear appropriate UL and cUL or CSA labels. Damp location labeling is standard. Emergency-equipped fixtures labeled UL 924.

## ORDERING INFORMATION

## EXAMPLE K8-296H0-EPU-EL-GLR

K		-		EP		-	
MODEL	SIZE	NO. OF LAMPS IN CROSS SECTION	LAMP TYPE	BALLAST	VOLTAGE	OPTIONS	
<b>K</b> Heavy Duty Channel	4 4' 8 8'	1 One 2 Two	<b>48HO</b> 4', T12: 60 Watt <b>54</b> 4', T5HO: 54 or 51 Watt <b>96HO</b> 8', T12: 110 or 95 Watt <b>96T8HO</b> 8', T8: 86 Watt	<b>EP</b> Electronic Programmed Start <b>LE</b> Magnetic (1-Lamp 48HO only)  For a specific ballast vendor show as option.	<b>U</b> 120V-277V (1-Lamp T12HO specify voltage) <b>347</b> 347V	<b>GLR</b> Fast Blow Fuse <b>GMF</b> Slow Blow Fuse <b>EL</b> Emergency Battery Pack <b>BC</b> Branch Circuit Plug-on Wiring System (See options section for details.) <b>UN</b> Full Height Channel Ends <b>PAF</b> Paint After Fabrication <b>NYC</b> NYC Compliant <b>NYCU</b> NYC Compliant, Union Label	
<b>ACCESSORIES (ORDER SEPARATELY)</b>							
<b>ITB4</b> Hanger for close mounting on a T-Bar Ceiling							
<b>KZT</b> Zip Tee Hanger - 1½" spacer on tee bar ceiling							
<b>KTH</b> Slide Clamp Tong Hanger							
<b>CSWG4</b> 4' Wire Guard, 2 required for 8' fixture							
<b>CSRA4</b> 4' Asymmetric Reflector							
<b>CSR4</b> 4' Symmetric Reflector							

## PHOTOMETRIC DATA

### LUMINAIRE DATA

Luminaire	<b>K8-296HO</b> <b>K Striplight</b> <b>96" x 4 3/16" 2-Light High Output Striplight</b>
Ballast	<b>960-X-LH-TC-P</b>
Ballast Factor	<b>0.95</b>
Lamp	<b>F96T12/CW/HO</b>
Lumens per Lamp	<b>9000</b>
Watts	<b>257</b>
Shielding Angle	<b>N/A</b>
Spacing Criterion	<b>0° = 1.24 90° = 1.57</b>
Luminous Opening in Feet	<b>Length: 8.00</b> <b>Width: 0.35</b> <b>Height: 0.00</b>

### ZONAL LUMEN SUMMARY

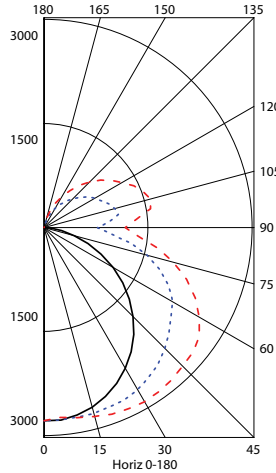
Zone	Lumens	% Lamp	% Fixt.
0-30	2293	12.7	14.3
0-40	3914	21.7	24.4
0-60	7706	42.8	48.0
0-90	11964	66.5	74.5
90-120	2713	15.1	16.9
90-130	3331	18.5	20.7
90-150	3978	22.1	25.5
90-180	4093	22.7	25.5
0-180	16057	89.2	100.0

Test 8973 Test Date 1/8/03

### ENERGY DATA

Total Luminaire Efficiency	<b>89.2%</b>
Luminaire Efficacy Rating (LER)	<b>58</b>
IESNA RP-1-1993 Compliance	<b>Non-Compliant</b>
Comparative Yearly Lighting Energy Cost per 1000 Lumens	<b>\$N/A based on 3000 hrs. and \$0.08 per KWH</b>

### INDOOR CANDELA PLOT



### AVG. LUMINANCE (Candela/Sq. M.)

Average Luminance Angle	0.0	22.5	45.0	67.5	90.0
0	10699	10699	10699	10699	10699
30	10392	10893	11959	12598	12860
40	10087	11121	12837	13956	14352
45	9840	11281	13385	14842	15348
50	9593	11501	14066	16010	16734
55	9289	11769	14986	17600	18297
60	8834	12094	16430	19121	19860
65	8241	12507	18029	20985	21886
70	7542	13454	19996	23514	24559
75	6699	15388	22859	27181	28637
80	5734	17999	27762	34381	36440
85	4720	23466	42125	55312	59548

### COEFFICIENTS OF UTILIZATION (%)

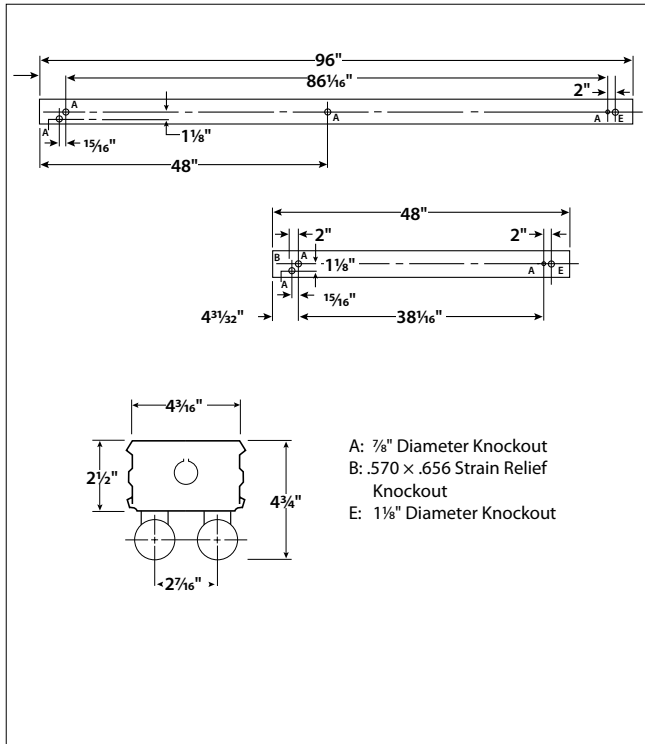
RCR	RC 70		RC 80		RC 70		RC 80		RC 70		RC 80		RC 70		RC 80		
	RW	0	10	30	50	70	80	10	30	50	70	80	10	30	50	70	
1	89	84	80	75	85	80	76	72	72	69	66	66	50				
2	80	72	65	59	76	68	62	57	61	56	52	40					
3	72	62	54	48	68	59	52	46	53	47	42	32					
4	66	54	46	40	62	52	44	38	47	40	35	27					
5	60	48	40	34	57	46	38	32	41	35	30	23					
6	55	43	35	29	52	41	33	28	37	31	26	19					
7	51	39	31	25	48	37	29	24	33	27	22	17					
8	47	35	27	22	45	33	26	21	30	24	20	15					
9	44	32	24	19	42	30	24	19	28	22	18	13					
10	41	29	22	17	39	28	21	17	26	20	16	12					

RCR = Room Cavity Ratio

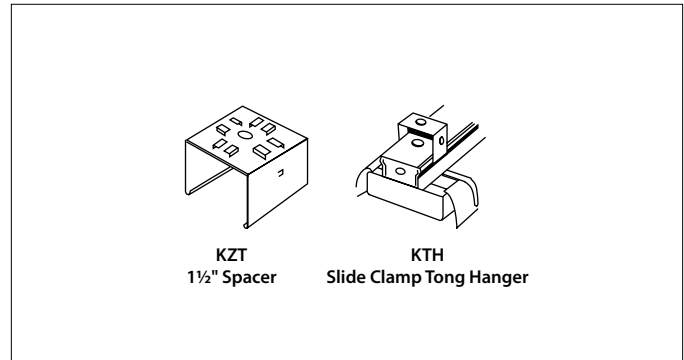
RC = Effective Ceiling Cavity Reflectance RW = Wall Reflectance

0.0 ——— 45.0 - - - - - 90.0 - - - - -

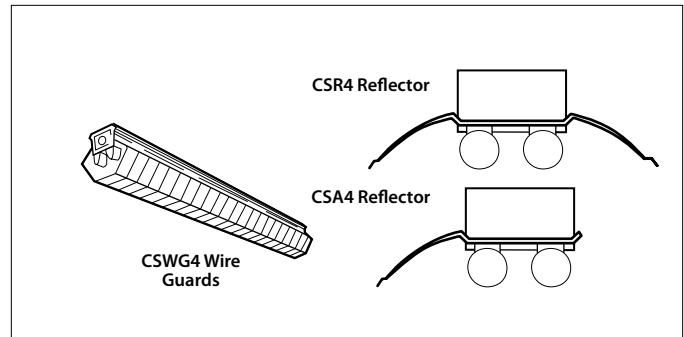
### DIMENSIONAL DATA



### MOUNTING ACCESSORIES



### ACCESSORIES



**NOTE:** All dimensions are in inches; dimensions and specifications are subject to change without notice. Please consult factory or check sample for verification.