

# SWIVEL30 INSTALLATION INSTRUCTIONS

Thank you for buying RAB lighting fixtures. Our goal is to design the best quality products to get the job done right. We'd like to hear your comments. Call the Marketing Department at 888-RAB-1000, or email: [marketing@rabweb.com](mailto:marketing@rabweb.com)

## IMPORTANT

### READ CAREFULLY BEFORE INSTALLING FIXTURE. RETAIN THESE INSTRUCTIONS FOR FUTURE REFERENCE.

RAB fixtures must be wired in accordance with the National Electrical Code and all applicable local codes. Proper grounding is required for safety. THIS PRODUCT MUST BE INSTALLED IN ACCORDANCE WITH THE APPLICABLE INSTALLATION CODE BY A PERSON FAMILIAR WITH THE CONSTRUCTION AND OPERATION OF THE PRODUCT AND THE HAZARDS INVOLVED.

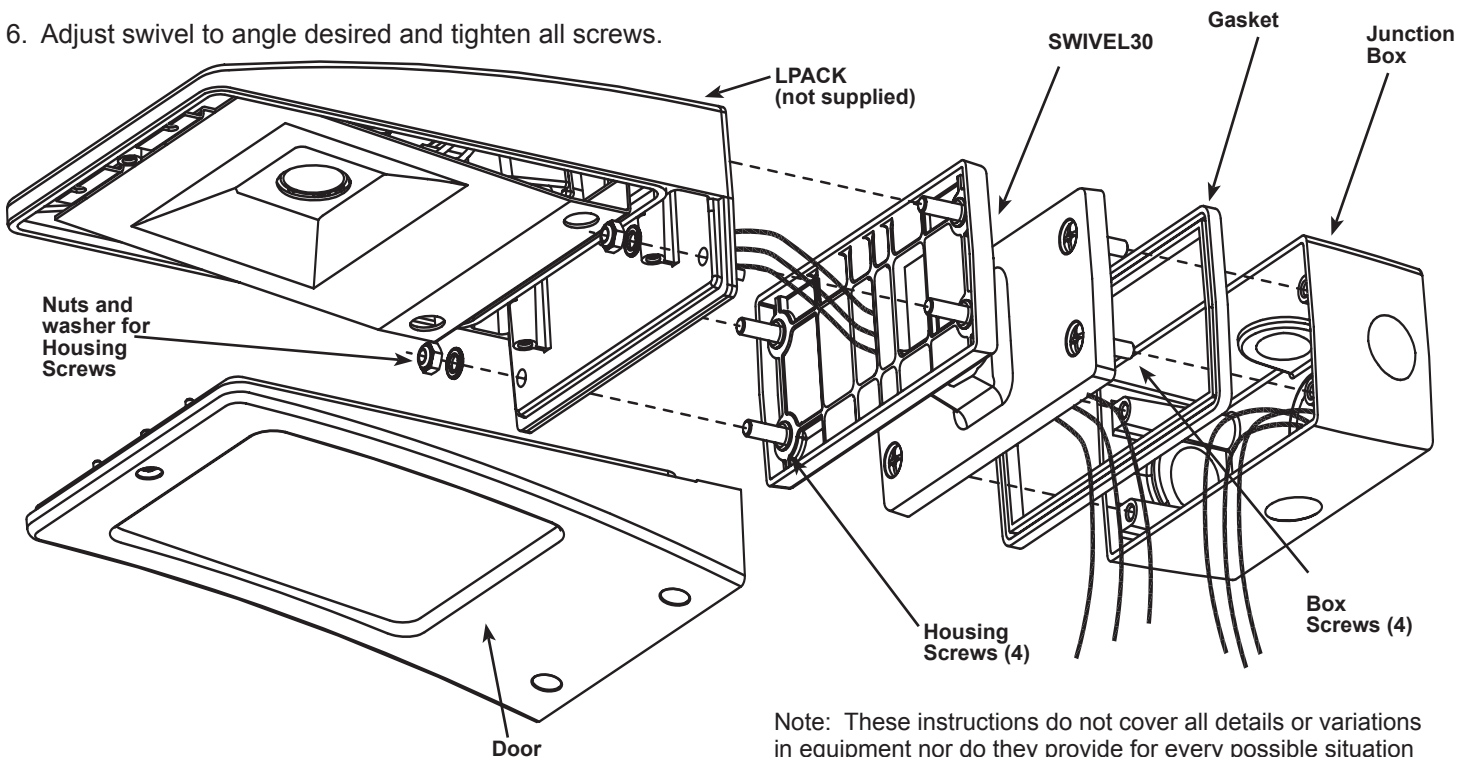
**WARNING: Make certain power is OFF before installing or maintaining fixture. No user serviceable parts inside.**

## SWIVEL30

30 Degree Swivel for WPLED10, WPLED13 & WPLED20 (Fixtures sold separately).

**CAUTION: Follow mounting orientation restrictions on fixture instructions.**

1. Remove **Door** from fixture. Remove **Junction Box** from fixture.
2. Feed wires from the **SWIVEL30** into the fixture. Make wiring connections inside the fixture using UL approved connectors.
3. Mount the **SWIVEL30** to the fixture with four **Housing Screws**. Use the provided nuts and washers for two of the four **Housing Screws** as shown below. Replace **Door**. Tighten all door screws and check seal of door gasket.
4. Mount **Junction Box** to the wall. Make supply wiring connection with UL approved connectors.
5. Mount fixture with **SWIVEL30** to the **Junction Box** with the four **Box Screws**. Check **Gasket** seal all the way around the **Junction Box**. To ensure weatherproof seal, apply weatherproof silicon sealant to all unused plugs and holes.
6. Adjust swivel to angle desired and tighten all screws.



Note: These instructions do not cover all details or variations in equipment nor do they provide for every possible situation during installation, operation or maintenance.

### Easy Installation & Product Help

**Tech Help Line**  
Call our experts  
888 RAB-1000

**Toll Free Fax**  
Send a fax to RAB  
888 RAB-1232

**e-mail**  
Answered promptly  
[sales@rabweb.com](mailto:sales@rabweb.com)

**Lightinglayouts.com**  
Easy lighting layouts  
in minutes

**rabweb.com**  
Visit our website  
for product info

