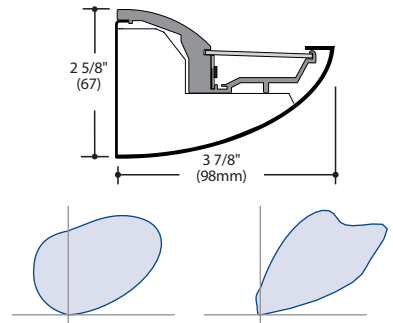


Fixture Type:

Project Name:

Ordering Guide

Feature	Code	Options	Description
Series		54L	Wall Arcos LED
Mounting		W	Wall-Mounted
Fixture distribution		AI	Asymmetric Indirect
Row length (in feet)		____'	Enter in foot increments. Note fixture lengths below.
Max length in row		02 03 04 06 08	24-1/16" 610mm 36-1/32" 914mm 48", 1219mm 72", 1829mm 96", 2438mm
Finish/Color		C1 C2 C3 C4 C5 C6 CC	Matte White (Default) Textured, Matte White Light Silver Machined Aluminum Carbon Black Textured, Camera Black Custom Color
Color temperature		30K 35K 40K	3000K 3500K 4000K
Output/ft <i>(specifiable in 50 lumens/ft increments)</i>		I030 I100	300 (min) see "Driver" section for limitations 1000 (max)
Driver		NDM D10 D01 LEC LHI LTW	Non Dimming Osram 10% Dimming Osram 1% Dimming Hi-lume 1% EcoSystem LED driver Hi-lume 1% 3-wire LED driver Hi-lume 1% 2-wire LED driver(120V forward phase only)
Circuiting		1C AF	1 Circuit Alternate Fixture Switching
Voltage		UNV 120 240 277	Universal Voltage (120 or 277) 120 Volt 240 Volt 277 Volt
Optional Features	Code	Options	Description
Nightlight		_NL	Nightlight Circuit Required. Enter quantity. 2NL = 2 nightlight circuits/row
Thru-wiring		W1 W2 W3 W4	No Thru Wire Provide Normal and Emergency Thru Wiring* Provide Normal Thru Wiring Only Provide Emergency Thru Wiring Only *Only applicable when specified with emergency
Rough-in wiring		FL JB	Flex (standard) Junction Box Plate
High Performance Reflector		HPR	High Performance Reflector



Key Features

- Variable Intensity technology provides a range of specifiable outputs and resulting fixture wattages
- Asymmetric distribution
- High performance reflector option

Performance

Nomenclature	Lumens/ft	W/ft	Efficacy
I030	300 (min)	4.0	75
I035	350	5.0	70
I040	400	5.5	73
I045	450	6.5	69
I050	500	7.0	71
I055	550	8.0	69
I060	600	9.0	67
I065	650	9.5	68
I070	700	10.5	67
I075	750	11.5	65
I080	800	12.5	64
I085	850	13.5	63
I090	900	14.5	62
I095	950	15.5	61
I100	1000 (max)	16.0	63

(wattage may vary up to 5% from published)



Quick Find litecontrol.com

54L-W

Details

Construction:

Extruded aluminum housing. Aluminum LED module snaps into housing.

Mounting:

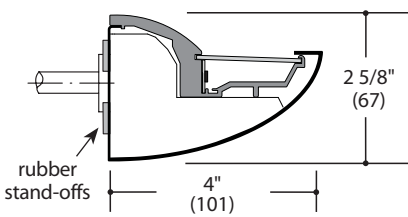
Provided with brackets which offset fixture 1/2" from wall to accommodate wiring connections and wall irregularities.

Fixture length:

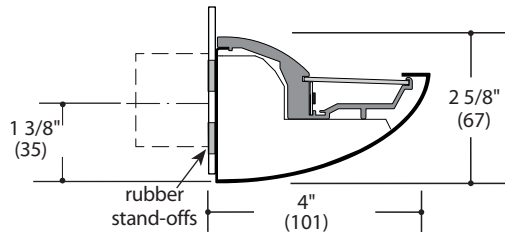
- 02 (24-1/16" 610mm)
- 03 (36-1/32", 914mm)
- 04 (48", 1219mm)
- 06 (72", 1829mm)
- 08 (96", 2438mm)

Planning for Installation

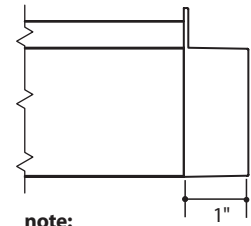
Standard Mounting with Flex Conduit



Optional Mounting with Junction Box

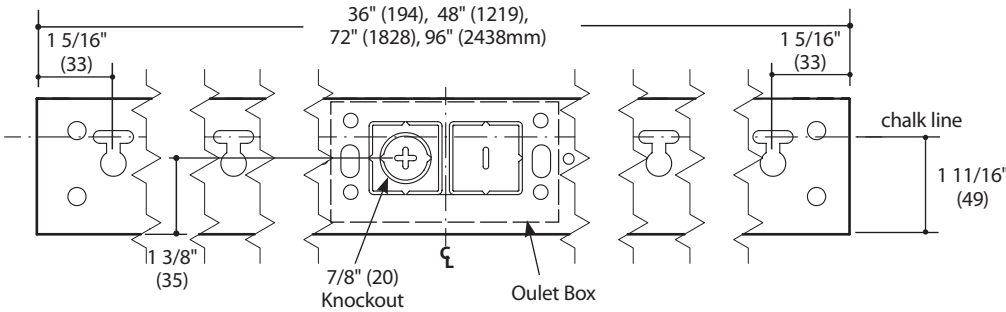


End Cap



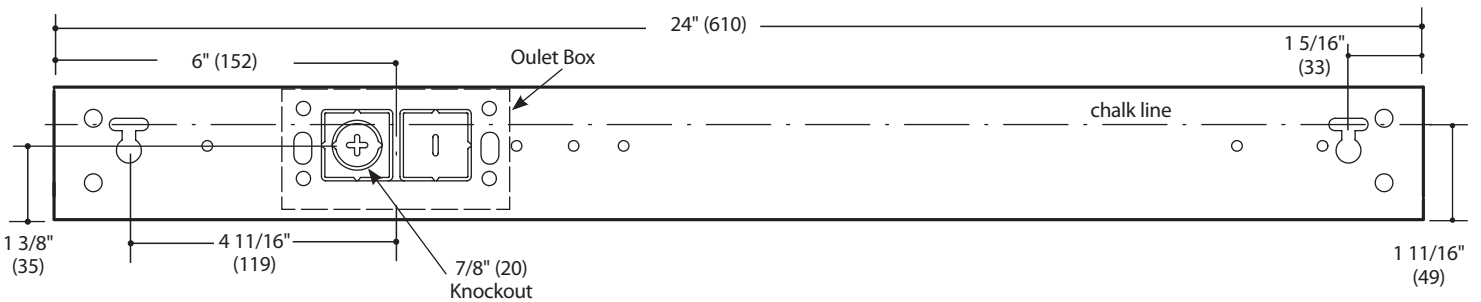
note:
End cap adds 2" (25mm) to fixture length

Back View 3', 4', 6' 8' Fixtures



- T-slot for #10 mounting screw
- 7/8" break away for electrical feed (flex conduit connector)
- Removable break away tabs for easy access to outlet box and electrical feed

Back View 2' Fixture



Details (continued)

Finish/Color:

Housing can be painted standard or custom colors. LED module is white. Visit www.litecontrol.com/finishes for details.

CCT:

30K-3000K
35K-3500K
40K-4000K

Color Variation:

2 step MacAdam ellipse

Output (VI technology):

Variable Intensity (VI) technology allows precise specification of fixture output/wattage. Fixture will be programmed and labeled to specification. See output section for available increments.

Output:

Specify in 50 lumens increments/ft within the below range:

	Lumens/ft	Nomenclature
Min:	300	I030
Max:	1000	I100

Driver:

- NDM: Non-dimming. Fixture will be wired for fixed light output.
- D10: 100%-10% dimming range. Fixture will be wired for low voltage 0-10V dimming control.
- D01: 100%-1% dimming range. Fixture will be wired for low voltage 0-10V dimming control.
- LEC: Lutron Ecosystem compatible using Lutron A-Series driver. 100%-1% dimming range.
- LHI: Lutron Hi-Lume 3 wire dimming compatible using Lutron A-Series driver. 100%-1% dimming range.

LTW:

Lutron H-Lutron 2-wire dimming using Lutron A-Series driver.
*Lutron driver options available only for 300/ft, 650/ft and 1000/ft outputs. Lutron drivers not available in 3' length fixtures.

Circuiting:

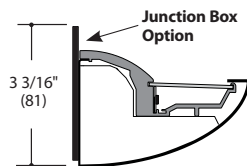
1C (1 Circuit) Fixture wired for a single circuit.
AF (alternate fixture switching) Fixtures wired so every other fixture segment can be separately switched/dimmed

Nightlight:

See separate LC-Nightlight spec sheet for additional details.

Rough-in Wiring

- FL Flex is standard. Fixture is provided without a junction box cover; field connections assumed to be to 3/8" flex conduit with whip and snap-in fitting.
- JB Optional Junction Box plate. Fixture is provided with a junction box cover for field connections within a standard outlet box.



Emergency:

Integral-not available
Inverter-compatible (by others)

Thru wiring:

See separate LC-Thruwire spec sheet for additional details.

High Performance Reflector:

Specular reflector and clear lens which provides greater peak intensity at a lower angle.

Power feed:

Fixture intended to be wired with 3/8" flexible whip.

Field accessibility:

LED boards and drivers can be accessed and removed from fixture, while installed.

CRI:

80 minimum

Rated Life:

Tested in accordance to LM79-2008 & derived from EPA TM21 calculator
L70: 160,000 (calculated per TM21 extrapolated curve)
L70: >36,288 (reported per TM21/LM80 6x's limitation)
L90: 50,000 (calculated per TM21 extrapolated curve)
L90: >36,288 (reported per TM21/LM80 6x's limitation)

Fixture weight:

2.5 lbs/ft.

Ratings:

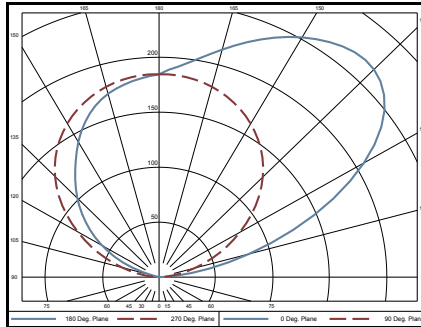
CSA listed for damp locations. IBEW. AF of L.

Warranty:

LED boards-5 years
LED drivers (standard)-5 years
LED drivers (Lutron)-3 years

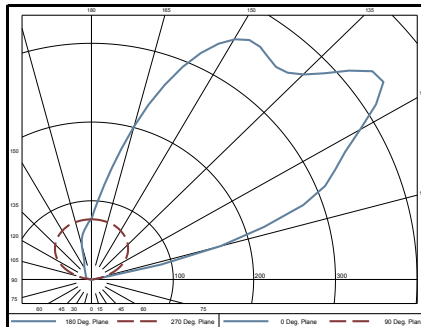
Photometry

Fixture: 15L-CC-AI-X-02-C1-35K-I030
CCT: 3500K
Output: I030
Nominal lumens: 300 lumens/ft
Efficacy: 76.7 lm/W
Test report: 15L-CC-AI-X-02-C1-35K-I030



Zone	Zonal Lumens	
	Lumens %	Lamp %
0-30	0	0
0-40	0	0
0-60	0	0
0-90	0	0
90-120	142	22
90-130	259	40
90-150	492	76
90-180	648	100
0-180	648	100

Fixture: 15L-CC-AI-X-02-C1-35K-I030 (HPR)
CCT: 3500K
Output: I030
Nominal lumens: 300 lumens/ft
Efficacy: 74.4 lm/W
Test report: 15L-CC-AI-X-02-C1-35K-I030 (HPR)



Zone	Zonal Lumens	
	Lumens %	Lamp %
0-30	0	0
0-40	0	0
0-60	0	0
0-90	0	0
90-120	200	32
90-130	332	53
90-150	533	85
90-180	628	100
0-180	628	100