

# CR115E Geared Rotary Limit Switch

15 Amperes Continuous  
AC/DC

Nominal Input Shaft to Cam Ratio	Number of Turns of Input Shaft To:				Contact Arrangement	Pipe Tap Size NPT	General-Purpose NEMA Type 1		Water-, Dust-, and Oiltight NEMA Type 4		Hazardous Locations Class I, Groups C and D Class II Groups E, F, and G NEMA Type 7-9	
	Trip Switch			Reset Switch			Catalog Number	List Price, GO-10G6 ②	Catalog Number	List Price, GO-10G6 ②	Catalog Number	List Price, GO-10G6 ②
	Max. ①	Min.	Over-travel ①									

## Snap-Acting Forms (0.020-inch Contact Gap) (1 NO-1 NC per switch unit)

20:1	19 (16½)	1	½ (3)	¼	2 NO-2 NC 4 NO-4 NC	¾ 1	CR115E1211** CR115E1411**	\$231.00 435.00	CR115E4211** CR115E4411**	\$261.00 465.00	CR115E7211** CR115E7411**	\$ 630.00 834.00
40:1	38 (33)	2	1 (6)	⅜	2 NO-2 NC 4 NO-4 NC	¾ 1	CR115E1221** CR115E1421**	231.00 435.00	CR115E4221** CR115E4421**	261.00 465.00	CR115E7221** CR115E7421**	630.00 834.00
80:1	75 (65)	3	2 (12)	1	2 NO-2 NC 4 NO-4 NC	¾ 1	CR115E1231** CR115E1431**	231.00 435.00	CR115E4231** CR115E4431**	261.00 465.00	CR115E7231** CR115E7431**	630.00 834.00
111:1	104 (90)	1	¾ (17¼)	½	2 NO-2 NC 4 NO-4 NC	¾ 1	CR115E1241** CR115E1441**	231.00 435.00	CR115E4241** CR115E4441**	261.00 465.00	CR115E7241** CR115E7441**	630.00 834.00
222:1	208 (180)	2	6½ (34½)	⅜	2 NO-2 NC 4 NO-4 NC	¾ 1	CR115E1251** CR115E1451**	432.00 636.00	CR115E4251** CR115E4451**	462.00 666.00	CR115E7251** CR115E7451**	828.00 1032.00
320:1	300 (260)	1	10 (50)	½	2 NO-2 NC 4 NO-4 NC	¾ 1	CR115E1261** CR115E1461**	432.00 636.00	CR115E4261** CR115E4461**	462.00 666.00	CR115E7261** CR115E7461**	828.00 1032.00
445:1	415 (360)	3	13 (68)	1	2 NO-2 NC 4 NO-4 NC	¾ 1	CR115E1271** CR115E1471**	432.00 636.00	CR115E4271** CR115E4471**	462.00 666.00	CR115E7271** CR115E7471**	828.00 1032.00
640:1	600 (520)	2	20 (100)	⅜	2 NO-2 NC 4 NO-4 NC	¾ 1	CR115E1281** CR115E1481**	432.00 636.00	CR115E4281** CR115E4481**	462.00 666.00	CR115E7281** CR115E7481**	828.00 1032.00
1280:1	1200 (1040)	3	40 (200)	1	2 NO-2 NC 4 NO-4 NC	¾ 1	CR115E1291** CR115E1491**	450.00 654.00	CR115E4291** CR115E4491**	480.00 684.00	CR115E7291** CR115E7491**	846.00 1050.00

\*\* See Suffix Table.

① Figures shown in parentheses are for long-dwell (45°) cam forms. Order by description. No price addition for long-

dwell cam. Contact nearest GE Industrial Systems—Electrical Distribution and Control Representative for prices and data for 180° cam forms.

② Prices shown are for shaft extension on one side only. Add \$6.00, GO-10G6 for forms with shaft extensions on both sides.

## Suffix Table (Use for shaft extension type where \*\* appears in Catalog Number.)

Description (Type or Shaft End)	Shaft Extension On		
	Right Side	Left Side	Both Sides ③
Standard Plain-End Shaft	01	11	21 ③
Woodruff Key-Type End Shaft (No. 3 Woodruff key is provided)	02	12	22 ③

③ Prices shown in pricing information table are for shaft extension on one side only. Add \$6.00, GO-10G6 for forms with shaft extensions on both sides.

## Contact Ratings ④ Alternating Current Carry Continuous—15 Ampere

Volts	Make	Break
115	40 amp	15 amp
230	20 amp	10 amp
460	10 amp	6 amp
575	8 amp	5 amp

## Direct Current-(SPDT Snap-Acting Forms)

Volts	Break
120	0.25 amp
240	0.10 amp
600	-

④ Double-throw circuits must be same polarity.

Reference:  
Instructions GEH-2458



# CR115E Geared Rotary Limit Switch

15 Amperes Continuous  
AC/DC

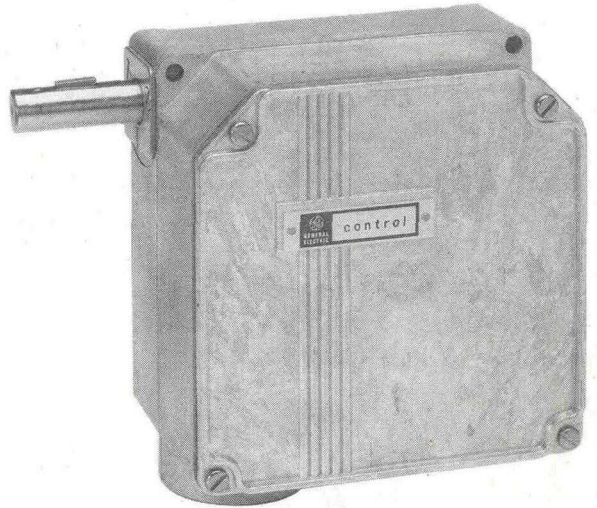
## Application

GE's CR115E geared rotary limit switch provides limit control on rotating-drive equipment. This worm and gear-reduction limit switch may be used in conjunction with motors to open and close overhead doors, to operate cable on cranes and hoists, limit the number of turns on thread-tapping equipment, and on other machine tool applications that require rotating-drive shaft control.

Switches are provided in NEMA Type 1, 4, 7, and 9 enclosures for adapting to specific environmental conditions. Forms having long-dwell cams may be ordered by description. Forms with various contact arrangements of snap-acting switches are listed.

## Features

- **Long-life**—switch equipped with rugged bearings and shaft extension on either or both sides.
- **Flexible operation**—gear ratios from 20:1 to 1280:1.
- **Rapid reset**—requires fewer turns to reset.
- **Easy adjustment**—trip points or operating cams can be quickly and easily adjusted independently with standard screwdriver.
- **Versatility control**—available with up to four precision snap-acting switches; each will control an independent function.
- **Maximum input speed**—3600 RPM.



CR115E geared rotary limit switch.

## Ordering Directions

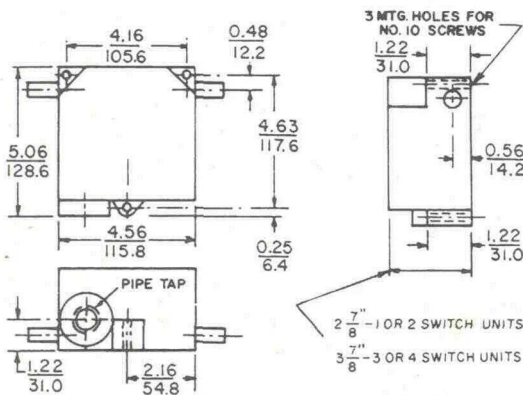
Order limit switch by complete Catalog Number from pricing information table.

Select shaft extension (by type of shaft end and desired side) and substitute suffix number in place of \*\* in switch Catalog Number.

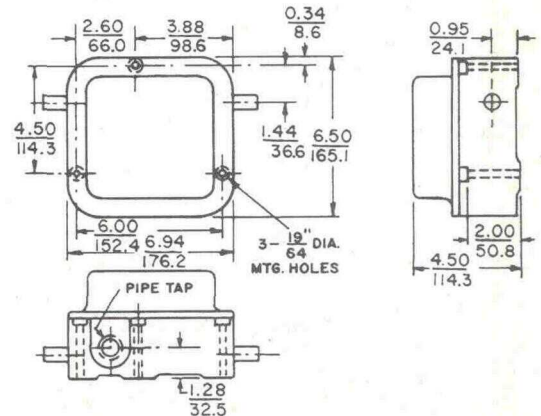
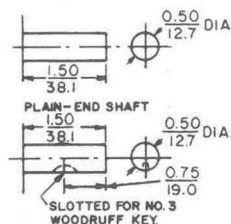
Example: A NEMA Type 1 enclosed switch with 4 NO-4 NC snap-acting contacts, a 320:1 cam ratio, and a standard plain-end shaft extension on the left side is desired.

Order: CR115E146111 at **\$636.00, GO-10G6**.

## Dual Dimensions <sup>Inches</sup> and Weights (For Estimating Only)



NEMA Type 1 and 4  
Approx. shipping wt., 5 lbs.



NEMA Type 7  
Approx. shipping wt., 19 lbs.

Reference:  
Instructions GEH-2458

10 SPECIALTY CONTROL DEVICES