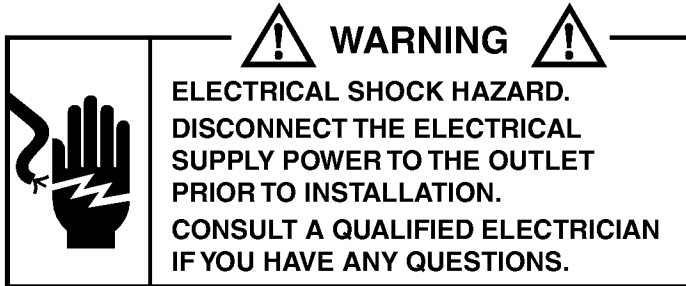


## Installation Instructions for FPT3 Series Moptite® Poke-Through Cover

FPT3-CVR-ALM FPT3-CVR-BLK FPT3-CVR-BGE  
FPT3-CVR-BRS FPT3-CVR-GRY FPT3-CVR-BRN



### TOOLS REQUIRED:

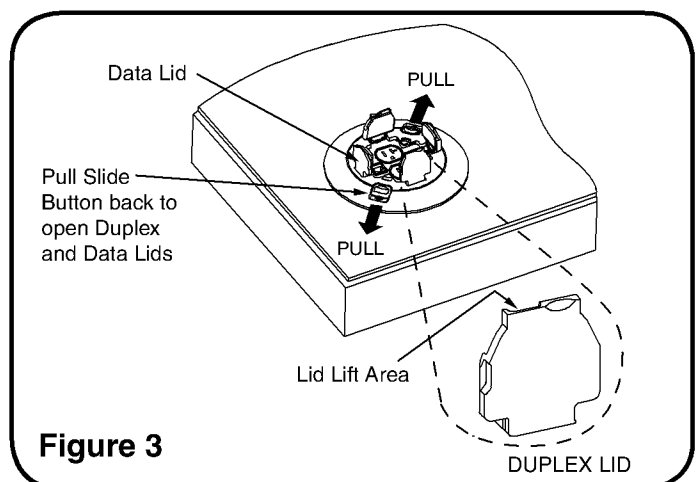
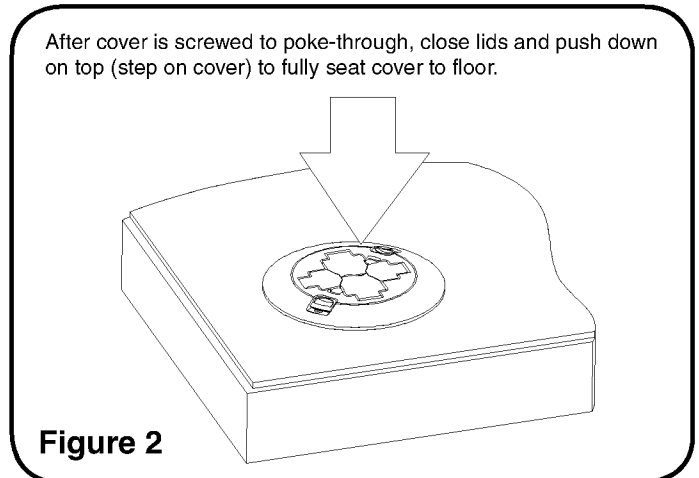
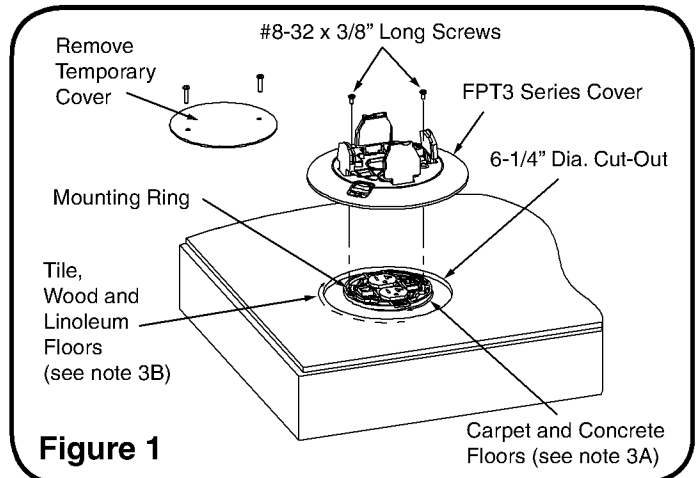
Phillips screw driver and utility knife to cut carpet.

### MATERIALS REQUIRED:

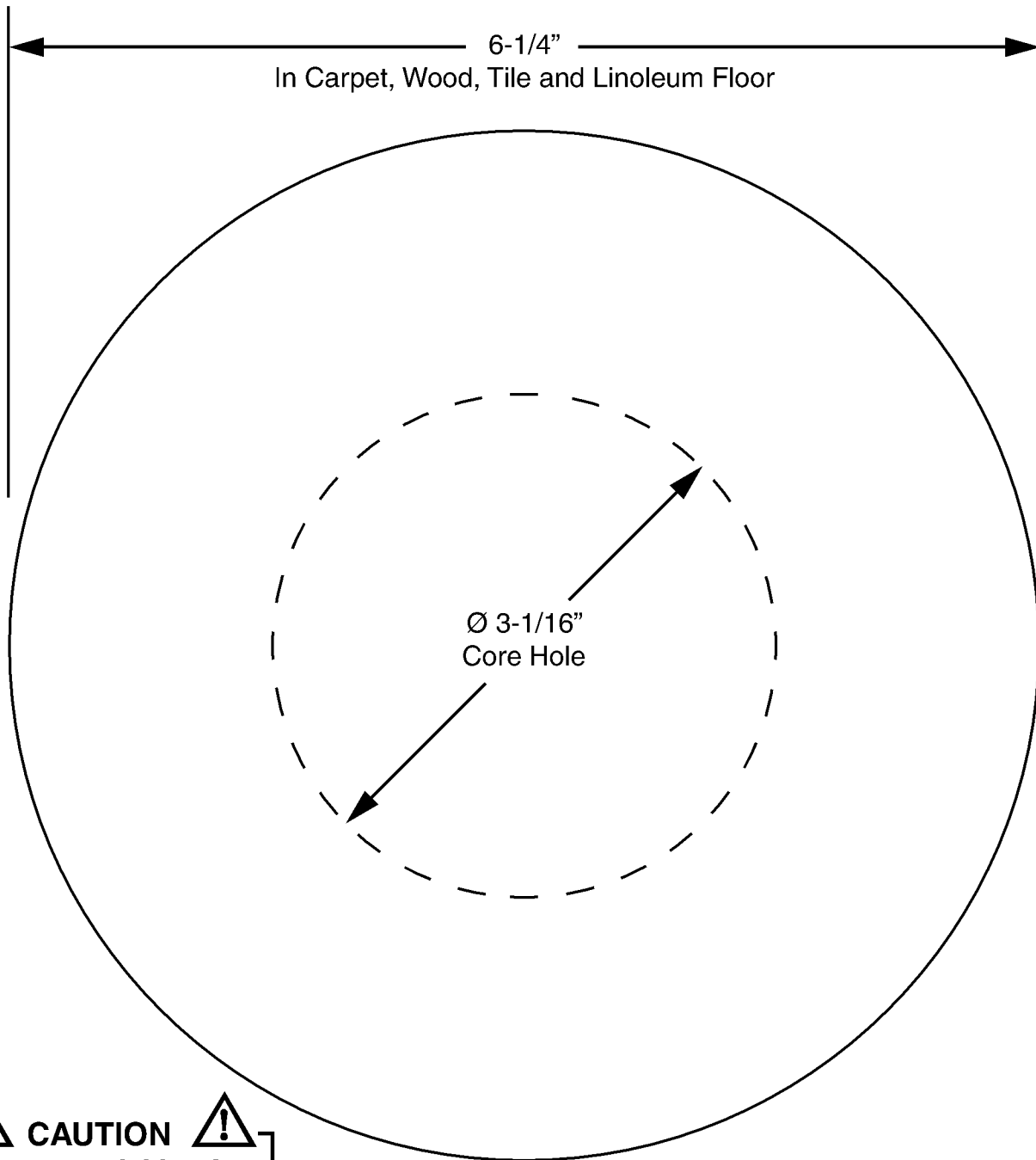
Sealant or caulk to seal cover to floor and block water.

### INSTALLATION INSTRUCTIONS

1. Remove temporary cover by unscrewing the two #8-32 X 3/4" long screws exposing the mounting ring.
2. PREPARE FLOOR FOR COVER INSTALLATION:  
(Tile, Wood, Carpet and Linoleum) Remove or install floor material leaving a 6-1/4" diameter opening around mounting ring. Use template provided with this instruction (see back page).  
CONCRETE: No preparation required.
3. APPLY SEALANT TO FLOOR:
  - A) For Carpet and Concrete, apply complete bead of sealant or caulk directly to concrete around mounting ring edge. Use enough sealant to block water entry.
  - B) For Tile, Wood and Linoleum, apply moderate amount of sealant directly on finished floor. Fully surround 6-1/4" diameter opening in floor. Use enough sealant to block water entry.
4. Install FPT3 Moptite® cover using the two #8-32 X 3/8" long screws furnished with cover (see Figure 1).
5. Close all lids and push down on top of cover to fully seat cover to floor. Step on cover to push poke-through firmly against floor. Clean excess sealant from around cover edge (see Figure 2).
6. To unlock and open cover lids, use thumb and pull slide button out to unlock lids. With slide button fully retracted, lift duplex lid using lift area at front of lid. Data lid will open after duplex lid is up (see Figure 3).
7. Lids will close and lock when stepped-on or pressed down.



# TEMPLATE FOR FLOOR CUT OUT



**CAUTION**

WHEN PRINTING COPIES,  
BE SURE THE TEMPLATE IS  
SCALED CORRECTLY.

**WARRANTY:** Thomas & Betts sells this product with the understanding that the user will perform all necessary tests to determine the suitability of this product for the user's intended application. Thomas & Betts warrants that this product will be free from defects in materials and workmanship for a period of two (2) years following the date of purchase. Upon prompt notification of any warranted defect, Thomas & Betts will, at its option, repair or replace the defective product or refund the purchase price. Proof of purchase is required. Misuse or unauthorized modification of the product voids all warranties.

**Limitations and Exclusions:** THE ABOVE WARRANTY IS THE SOLE WARRANTY CONCERNING THIS PRODUCT, AND IS IN LIEU OF ALL OTHER WARRANTIES EXPRESS OR IMPLIED, INCLUDING BUT NOT LIMITED TO ANY IMPLIED WARRANTY OF MERCHANTABILITY OR FITNESS FOR A PARTICULAR PURPOSE, WHICH ARE SPECIFICALLY DISCLAIMED. LIABILITY FOR BREACH OF THE ABOVE WARRANTY IS LIMITED TO COST OF REPAIR OR REPLACEMENT OF THE PRODUCT, AND UNDER NO CIRCUMSTANCES WILL THOMAS & BETTS BE LIABLE FOR ANY INDIRECT, SPECIAL, INCIDENTAL OR CONSEQUENTIAL DAMAGES.