

Product Code (UPC #768386xxxxx)		Product	Price per Unit			Type and Primary Application/Description	Standard Package	
Individual	Carton		Stocking Distributor (GOLD)	Trade (BLUE)	List (PINK)		Quantity	Weight (lbs.)
13380	-	WP103091R000I	\$ 104.33	\$ 208.66	\$ 260.83	HID (1) 175W MV H39 QUAD WP	1	18.0
13381	-	WP103092000I	\$ 111.80	\$ 223.60	\$ 279.50	HID (1) 250W MV H37 QUAD WP	1	18.0
13382	-	WP103093000I	\$ 113.85	\$ 227.70	\$ 284.63	HID (1) 400W MV H33 QUAD WP	1	25.0
13383	-	WP103097000I	\$ 229.03	\$ 458.06	\$ 572.58	HID (1) 1000W MV H36 QUAD WP	1	38.0
06461	-	WP113033000I	\$ 166.72	\$ 333.44	\$ 416.80	HID (1) 400W MH M59 480V WP	1	27.3
06463	-	WP113093000I	\$ 170.13	\$ 340.26	\$ 425.33	HID (1) 400W MH M59 QUAD WP	1	29.0
13331	-	WP113097000I	\$ 302.62	\$ 605.24	\$ 756.55	HID (1) 1000W MH M47 QUAD WP	1	38.0
15125	-	WP123092S000I	\$ 176.92	\$ 353.84	\$ 442.30	HID (1) 250W HPS S50 QUAD WP	1	30.0
15869	-	WP123093U000I	\$ 198.15	\$ 396.30	\$ 495.38	HID (1) 400W HPS S51 QUAD WP	1	31.0
15980	-	WP123097S000I	\$ 218.34	\$ 436.68	\$ 545.85	HID (1) 1000W HPS S52 QUAD WP	1	42.0
13384	-	WP12310165000I	\$ 195.42	\$ 390.84	\$ 488.55	HID (1) 150W HPS S55 QUAD WP	1	20.0
15981	-	WP1231090000I	\$ 199.50	\$ 399.00	\$ 498.75	HID (1) 100W HPS S54 QUAD WP	1	18.0
13385	-	WP203013R000I	\$ 234.36	\$ 468.72	\$ 585.90	HID (2) 400W MV H33 120V WP	1	42.0
15982	-	WP203017S000I	\$ 115.99	\$ 231.98	\$ 289.98	HID (2) 400W MV H33 277V WP	1	42.0
15983	-	WP203025S000I	\$ 115.99	\$ 231.98	\$ 289.98	HID (2) 400W MV H33 240V WP	1	42.0
06464	-	WP213017000I	\$ 226.85	\$ 453.70	\$ 567.13	HID (2) 400W MH M59 277V WP	1	50.0
06465	-	WP213033000I	\$ 226.85	\$ 453.70	\$ 567.13	HID (2) 400W MH M59 480V WP	1	50.0
06467	-	WP213073000I	\$ 226.85	\$ 453.70	\$ 567.13	HID (2) 400W MH M59 120V OR 240V WP	1	50.0
HIGH INTENSITY DISCHARGE BALLAST CAPACITORS (HIDC)								
07816	-	005-1184-BH *	\$ 8.00	\$ 16.00	\$ 20.00	HIDC 10.0 MFD 400V 90C	1	0.5
07817	-	005-1185-BH *	\$ 9.51	\$ 19.02	\$ 23.78	HIDC 15.0 MFD 400V 90C	1	0.6
07818	-	005-1401-BH *	\$ 10.13	\$ 20.26	\$ 25.33	HIDC 18.0 MFD 440V 90C	1	0.6
07819	-	005-1410-BH *	\$ 6.05	\$ 12.10	\$ 15.13	HIDC 7.0 MFD 300V 90C	1	0.3
07820	-	005-1411-BH *	\$ 6.03	\$ 12.06	\$ 15.08	HIDC 8.0 MFD 300V 90C	1	0.3
07822	-	005-1413-BH *	\$ 6.56	\$ 13.12	\$ 16.40	HIDC 10.0 MFD 300V 90C	1	0.3
07823	-	005-1414-BH *	\$ 7.13	\$ 14.26	\$ 17.83	HIDC 13.0 MFD 300V 90C	1	0.4
07824	-	005-1415-BH *	\$ 8.07	\$ 16.14	\$ 20.18	HIDC 14.0 MFD 300V 90C	1	0.0
07826	-	005-1417-BH *	\$ 8.59	\$ 17.18	\$ 21.48	HIDC 17.5 MFD 300V 90C	1	0.5
07827	-	005-1418-BH *	\$ 8.97	\$ 17.94	\$ 22.43	HIDC 20.0 MFD 330V 90C	1	0.5
07828	-	005-1419-BH *	\$ 9.82	\$ 19.64	\$ 24.55	HIDC 22.5 MFD 300V 90C	1	0.6
07830	-	005-1421-BH *	\$ 12.03	\$ 24.06	\$ 30.08	HIDC 35.0 MFD 330V 90C	1	0.6
07831	-	005-1422-BH *	\$ 14.05	\$ 28.10	\$ 35.13	HIDC 48.0 MFD 300V 90C	1	0.8
07833	-	005-1464-BH *	\$ 8.21	\$ 16.42	\$ 20.53	HIDC 12.0 MFD 440V 90C	1	0.5
07834	-	005-1466-BH *	\$ 5.74	\$ 11.48	\$ 14.35	HIDC 5.0 MFD 300V 90C	1	0.3
07835	-	005-1467-BH *	\$ 6.93	\$ 13.86	\$ 17.33	HIDC 12.0 MFD 300V 90C	1	0.4
07836	-	005-1468-BH *	\$ 10.72	\$ 21.44	\$ 26.80	HIDC 28.0 MFD 300V 90C	1	0.6
07839	-	005-1474-BH *	\$ 17.48	\$ 34.96	\$ 43.70	HIDC 32.0 MFD 525V 90C	1	1.1
12850	-	005-1475-BH *	\$ 13.64	\$ 27.28	\$ 34.10	HIDC 30.0 MFD 440V 90C	1	0.8
07841	-	005-1498-BH *	\$ 6.69	\$ 13.38	\$ 16.73	HIDC 16.0 MFD 300V 90C	1	0.5

* These items are excluded from standard distributor discount; special net pricing may be available

Oil-Filled Capacitors

uF	VACr	Part #	Case	Ht ("	uF	VACr	Part #	Case	Ht ("
5.0	300	005-1466-MF	1.25 oval	2.2	24.0	400	005-2592-RMF	1.75 dia	3.8
6.0	300	005-1561-MF	1.25 oval	2.2	24.0	480	005-2779-MF	1.75 oval	3.9
7.0	300	005-1410-MF	1.25 oval	2.2	24.0	525	005-2777-MF	1.75 oval	4.3
8.0	330	005-1411-MF	1.25 oval	2.2	24.5	300	005-3278-MF	1.75 oval	2.7
9.0	300	005-1412-MF	1.25 oval	2.7	26.0	330	005-2669-MF	1.75 oval	3.1
10.0	330	005-1413-MF	1.25 oval	2.7	26.0	525	0052776-MF	1.75 oval	4.3
10.0	400	005-2666-MF	1.25 oval	3.9	28.0	240	005-1886-RMF	1.75 dia	2.3
10.0	400	005-1184-MF	1.50 oval	2.7	28.0	300	005-1468-MF	1.75 oval	3.1
10.0	400	005-2167-RMF	1.75 dia	2.9	28.0	425	005-1799-MF	1.75 oval	3.9
10.0	480	005-2883-MF	1.50 dia	2.7	28.0	525	005-2778-MF	2.00 oval	4.3
12.0	280	005-1962-RMF	1.75 dia	2.3	30.0	440	005-1475-MF	1.75 oval	3.9
12.0	300	005-1467-MF	1.25 oval	3.1	32.0	300	005-2351-MF	1.75 oval	3.1
12.0	400	005-2799-MF	1.50 oval	2.7	32.0	525	005-1474-MF	2.00 oval	3.9
12.0	440	005-1464-MF	1.50 oval	3.1	33.0	300	005-1470-MF	1.75 oval	3.1
13.0	300	005-1414-MF	1.25 oval	3.1	34.0	330	005-1690-MF	1.75 oval	3.1
14.0	240	005-1884-RMF	1.75 dia	2.3	34.0	525	005-2893-MF	2.00 oval	3.9
14.0	300	005-1415-MF	1.50 oval	2.7	35.0	240	005-2754-RMF	1.75 dia	3.8
15.0	300	005-1416-MF	1.50 oval	2.7	35.0	330	005-1421-MF	1.75 oval	3.1
15.0	400	005-1185-MF	1.75 oval	2.7	35.0	525	005-2686-MF	2.00 oval	3.9
15.0	400	005-2170-RMF	1.75 dia	2.9	36.0	525	005-2793-MF	2.00 oval	4.3
15.0	480	005-2201-MF	1.50 oval	3.9	38.0	300	005-2019-MF	1.75 oval	3.9
16.0	300	005-1498-MF	1.50 oval	2.7	40.0	240	005-1887-RMF	1.75 dia	2.7
16.0	525	005-1471-MF	2.00 oval	3.1	40.0	300	005-1768-MF	1.75 oval	3.9
17.5	300	005-1417-MF	1.50 oval	3.1	42.0	300	005-1764-MF	1.75 oval	3.9
18.0	440	005-1401-MF	1.75 oval	3.1	45.0	330	0051610-MF	1.75 oval	3.9
18.0	510	005-1762-MF	1.75 oval	3.9	48.0	330	005-1422-MF	1.75 oval	3.9
18.5	330	005-1796-MF	1.50 oval	3.1	50.0	240	005-3209-MF	1.75 oval	3.5
20.0	240	005-1885-RMF	1.75 dia	2.3	50.0	300	005-32073-MF	1.75 oval	3.9
20.0	330	005-1418-MF	1.50 oval	3.1	52.0	240	005-1888-RMF	2.00 dia	2.9
20.0	440	005-2387-MF	1.75 oval	3.9	55.0	240	005-1594-MF	1.75 oval	3.5
20.5	400	005-3262-MF	1.75 oval	3.1	55.0	300	005-2117-MF	1.75 oval	3.9
21.0	525	005-1495-MF	1.75 oval	3.9	56.0	300	005-3609-MF	1.75 oval	3.9
22.5	300	005-1419-MF	1.50 oval	3.5	62.0	240	005-2362-MF	1.75 oval	3.9
22.5	300	005-2200-RMF	1.75 dia	2.9	80.0	240	005-2365-RMF	2.00 dia	3.8
24.0	360	005-3160-MF	1.75 oval	3.1	90.0	240	005-2154-RMF	2.50 dia	3.8
24.0	400	005-2664-MF	1.75 oval	3.1	100.0	240	005-3218-RMF	2.50 dia	3.8

Product Overview

For maximum safety and reliability, all Universal capacitors come with built-in bleed resistors (patented by Universal). All Universal capacitors are recognized by UL (UL file #E68320 for metal cases and #E182721 for plastic cases) and approved by CSA (CSA file #LR51331, metal cases only). Environmental safety is assured by use of biodegradable, nontoxic (no PCBs) dielectric fluid (soybean oil), patented by Universal for use in capacitors. Dry-film capacitors do not include protective devices. Since they can fail in a hazardous manner, it is the responsibility of the purchaser to take appropriate precautions.

Capacitors

Universal has a comprehensive line of capacitors in metal cases (up to 520V ratings) and plastic cases (up to 400V ratings). All Universal capacitors are designed for 60,000 hours of continuous life. They're exceptionally reliable because we put them through accelerated life testing at 125% rated voltage and rated temperature +10°C.

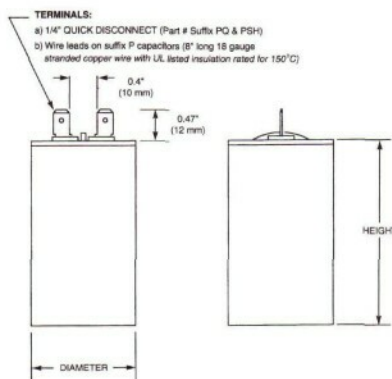
Universal capacitors are normally packaged with ballasts. They may also be ordered separately, bulk packaged, or individually boxed with the suffix "BH" (metal cases only). Capacitor weights vary from 1/4 lb. to 1 lb. each.

Dry Capacitors

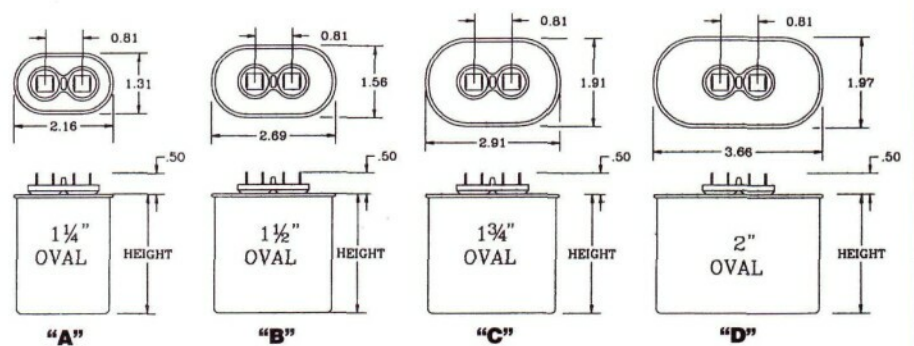
Type "P" plastic case capacitors described in this section are dry and do NOT contain safety interrupters (or oil). Plastic cases are UL rated "94V-O" (for use up to 100°C maximum). Type "P" capacitors are supplied with stranded copper wire leads 8 inches long (18 awg, with 150°C rated insulation). Capacitor rolls are sealed inside plastic cases using epoxy. Design and testing of Universal capacitors follow specifications in Electronic Industries Association (EIA) Standard 456-A, titled "Metalized Film Dielectric Capacitors for Alternating Current Application."

"P" capacitors are designed and rated for continuous duty AC voltages below 400VAC @ 50 or 60 Hz. Capacitors used with HID ballasts at voltages above 400VAC should contain interrupters (available from Universal in oval "MF" and round "RMF" oil-filled metal cases).

Plastic Dry Type Capacitors

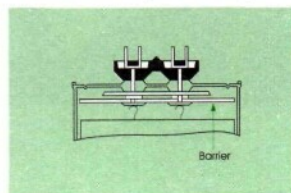


Metal and Oil Filled Capacitors

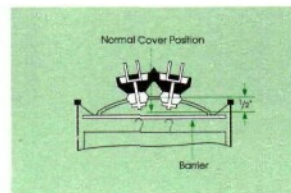


Protective Device (Only in metal cases)

Protective device to prevent case rupture



Normal Position of Protective Device



Position of Protective Device After Activation

HID

Product Overview

Indoor Encased

Our HID indoor encased ballasts can be mounted remotely, which lets you use a smaller HID fixture while ensuring quiet operation. If necessary, these ballasts can be specified with an integral capacitor and starter.

Ignitors

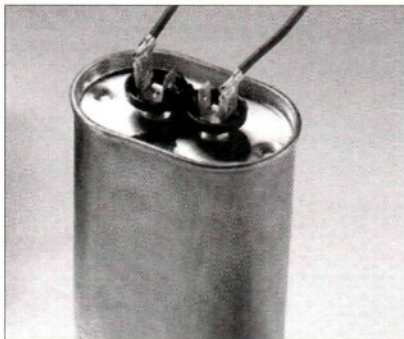
Universal offers the industry's most complete line of ignitors, including standard, automatic shutoff, instant restrike, and long distance ignitors.

REMOTE MOUNTING DISTANCE

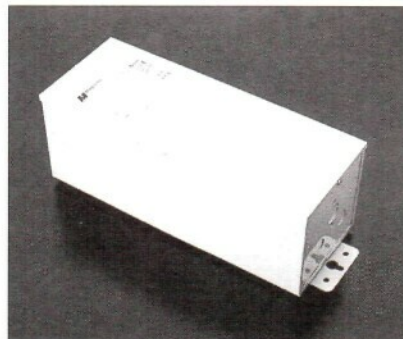
Maximum Length in Feet for Remote Mounting of HID Ballasts to Lamp

ANSI	Lamp Type	Watts	12 GA	14 GA	16 GA	18 GA
H45	Mercury	40	534	336	211	132
H46	Mercury	50	498	313	197	123
H43	Mercury	75	620	390	245	154
H38	Mercury	100	620	390	245	154
H39	Mercury	175	272	171	107	67
H37	Mercury	250	194	122	77	48
H33	Mercury	400	132	83	52	33
H35	Mercury	700	297	187	117	74
H36	Mercury	1000	208	131	82	51
M57	Metal Halide	175	272	171	107	67
M58	Metal Halide	250	194	122	77	48
M59	Metal Halide	400	132	83	52	33
M47	Metal Halide	1000	196	123	77	48
M48	Metal Halide	1500	146	92	58	36

For proper installation, insure that remote ballasts are properly vented and mounted to a heat-dissipating surface.



HID Capacitors



Multi-5™ Uni-Pak™



F-Can Ballasts