








Wall-Mount Cabinets Product Selection Guide

Wall-Mount Cabinets Product Selection Guide

			
WALL-MOUNT FAMILY	ACCESSPLUS® II	PROTEK®	PROTEK® DOUBLE-HINGED
Description	ACCESSPLUS® II Double-Hinged Wall-Mount provides both security and accessibility. Designed to hold multiple pieces of voice data equipment. Perfect where space is at a premium. • Double-hinged wall mount	PROTEK® Wall-Mount Cabinets are ideal for protecting network equipment beyond typical Type 1 enclosures. • Harsh environments • Models with A/C units	Offers the flexibility and accessibility of a double-hinged wall-mount and the environmental protection of the PROTEK Type 4/12 ratings. • Double-hinged wall-mount • Harsh environments • Models with A/C units
Construction	Mild steel	Mild steel	Mild steel
Application Rating	Indoors with built-in ventilation areas	Indoors and outdoors. Protects from dust, dirt and splashing water.	Protects from dust, dirt and splashing water.
DIMENSIONS			
Rack Units (RU) Range	12–39 RUs	12–26 RUs	7–26 RUs
Height	25.00–72.00 in.	24.00–48.00 in.	16.00–48.00 in.
Width	24.00 in., 28.00 in.	24.00 in.	24.00 in.
Depth	18.00–25.00 in.	12.00–24.00 in.	15.00–25.00 in.
RATINGS			
Loading - Static	250–500 lbs.	100–200 lbs.	100–175 lbs.
Certifications and Listings	UL 508A, CSA, NEMA, IEC	UL 508A, CSA, NEMA, IEC	UL 508A, CSA, NEMA, IEC
Type / NEMA / IP Rating	Type 1, IP40	Type 1, 4, 12, IP55/IP66	Type 1, 4, 12, IP55/IP66
Plenum Rated	Yes	Yes	Yes
STRUCTURE			
Front Door	Window or solid	Window or solid	Window or solid
Back	Keyhole mounting slots, accessory raised pads, cable tie-down points, large cable knock-out	Rear mounting studs, panel-ready and wall-mounting provisions	Rear mounting studs, panel-ready and wall-mounting provisions
Top / Bottom	Gland Plate/Cable knock-outs, fan-ready	Solid sheet steel construction	Solid sheet steel construction
Sides	Cable knock-outs, fan-ready	Solid sheet steel construction	Solid sheet steel construction
Rack Angles	1 set tapped 10-32 fully adjustable, plated	1 set tapped 10-32 fully adjustable, plated	1 set tapped 10-32 fully adjustable, plated
APPLICATIONS			
	Most frequently utilized model for mounting network equipment. Gland-plate offering great for retrofit applications.	Ideal for remote areas with harsh environments for network equipment. Extra-deep to accommodate rack equipment.	Ideal for remote areas with harsh environments for network equipment. Extra-deep to accommodate rack equipment.
Unique Features	<ul style="list-style-type: none"> • Single person mounting • Latch-free sides permit flush-mounting to adjacent equipment, enclosures and walls • Safety glass window units • Pole mounting kit available • Reversible hinges (left/right) • Grounding and bonding provisions 	<ul style="list-style-type: none"> • Available with T4 A/C units • Extra-deep sizes • Fully vented with foam-in-place gasket • Safety Glass • Rack angle standard • Grounding and bonding provisions 	<ul style="list-style-type: none"> • Available with T4 A/C units • Extra deep sizes • Fully vented with foam-in-place gasket • Safety Glass • Rack Angle Standard • Front and Rear Access • Grounding and bonding provisions

Wall-Mount Cabinets Product Selection Guide

			
L-BOX®	D-BOX™	WiFi ENCLOSURE—2 MODELS	COMLINE®
<p>L-BOX® provides convenient mounting and storage for patch panels in a space-saving design.</p> <ul style="list-style-type: none"> • Horizontal cable distribution • Copper to fiber • Consolidation points • Vertical rack angles 	<p>D-BOX™ provides convenient mounting and storage for patch panels.</p> <ul style="list-style-type: none"> • Horizontal cable distribution • Copper to fiber • Consolidation points • Fixed and rotating rack angles 	<p>Provides a secure enclosure for WiFi and other network equipment. Fiberglass does not impede WiFi/WLAN signals.</p> <ul style="list-style-type: none"> • Corrosion resistant • Plenum rated • Plywood back panel provided 	<p>Lightweight, corrosion-resistant aluminum enclosure provides long-lasting protection for electrical and network components for both indoor and outdoor environments.</p> <ul style="list-style-type: none"> • Corrosion-resistant • Outdoor applications (OSP)
Mild steel	Mild steel	Fiberglass	Aluminum
Indoors with built-in ventilation areas.	Indoors with built-in ventilation areas.	Indoors and outdoors plus hazardous areas. Protects from dust, dirt and splashing water.	Indoors and outdoors plus hazardous areas. Protects from dust, dirt and splashing water.
6–12 RUs	4–6 RUs	Not applicable for smaller model. Optional RU for large model.	Not supplied as standard. Optional 12–26 RUs
24.00–48.00 in.	24.00–48.00 in.	6.00–24.61 in.	11.80–59.10 in.
24.00 in.	24.00 in.	6.00–24.11 in.	11.80–35.40 in.
12.34 in.	8.34–12.34 in.	4.00–12.64 in.	5.90–11.80 in.
75 lbs.	100 lbs.	50–200 lbs.	50–200 lbs.
UL 1863/508A/60905, CSA NEMA, IEC, EIA 310-D	UL 1863/508A/60905, CSA, NEMA, IEC, EIA 310-D	UL 508A, CSA, NEMA, IEC	UL 508A, CSA, NEMA, IEC
Type 1, IP40	Type 1, IP40	Type 4, 4X, 12, 13 IP66	Type 3, 3R, 4, 4X, 12, IP66
Yes	Yes	Yes—Solid door only	Not applicable
Vented wrap-around door	Solid with vents	Solid or window	Solid
Keyhole mounting slots, accessory raised pads, cable tie-down points, large cable knock-out	Keyhole mounting slots, accessory raised pads, cable tie-down points, large cable knock-out	Wood panel standard	Rear mounting studs, panel-ready and wall-mounting provisions
Cable knock-outs, fan-ready	Cable knock-outs, fan-ready	Solid fiberglass construction	Solid aluminum construction
Cable knock-outs, fan-ready	Cable knock-outs, fan-ready	Solid fiberglass construction	Solid aluminum construction
1 set tapped 10-32, plated	<ul style="list-style-type: none"> • 1 set fixed tapped 10-32, plated • 1 set tapped 10-32, fully adjustable 	Optional on largest size	<ul style="list-style-type: none"> • Optional based on size • 1 set tapped 10-32, fully adjustable
<p>Vertical equipment mounting provides horizontal cable distribution. Offers a lower-profile installation.</p> <ul style="list-style-type: none"> • Removable door • Quarter-turn latches with keyed lock • Cable tie-down points • Mounting screws provided • Top and bottom knockouts • Cable spool mounting • Complete accessories—fans, shelves and others • Grounding and bonding provisions 	<p>Fixed and rotating rack angles for easy equipment mounting. Offers a lower-profile installation.</p> <ul style="list-style-type: none"> • Removable and reversible door • Quarter-turn latches with keyed lock • Cable tie-down points • Mounting screws provided • Grounding and bonding provisions • Top and bottom knockouts • Cable spool mounting • Complete accessories—fans, shelves and others 	<p>Indoors and outdoors: Great for tunnels, marinas, outside walls and rooftops. Ideal for wireless applications; signals pass unimpeded through fiberglass.</p> <ul style="list-style-type: none"> • Fiberglass is easily punched or drilled • Foam-in-place gasketing • Removable door with stainless steel hinge pins • Window models are scratch-resistant GE Lexan Margard • Small model—screw cover • Large model—key lock knob 	<p>Indoors and outdoors: Great for rooftop, pole mount and tower mounting. Lightweight with corrosion resistance.</p> <ul style="list-style-type: none"> • Solar shield provides cooler interior for outdoor applications • Foam-in-place gasketing • Latching—one- and three-point options • Door stop • Door options—removable and heavy-duty continuous • Grounding and bonding provisions

ACCESSPLUS® II Double-Hinge
ACCESSPLUS® II Double-Hinge, Type 1

Industry Standards

 UL 508A; Type 1; File No. E61997
 cUL Listed per CSA C22.2 No. 182.4; File No. E230874

EIA 310-D
 NEMA/EEMAC Type 1
 EIC 60529 IP20
 Per BICSI TDMM Tenth edition, Chapter 7,
 Telecommunication Enclosures (TE)

Application

ACCESSPLUS® II Cabinets provide security, equipment access, cooling and support for network and other 19-in. rack-mount equipment. The cabinet has three components: front door, center section and wall section.

Features

- Double-hinged for easy equipment access; center section provides 19-in. rack mounting per EIA universal spacing and is accessed through the front door or swing the center section away from the wall section for rear access
- Round corners; no sharp edges
- Front door has either a solid steel or hardened, tinted safety-glass window door for superior scratch resistance
- Center section easily removed from rear section; tool-less one-person installation possible
- Self-grounding, plated steel rack angles fully adjustable within center section
- Wall section provides cable entry and cable management with knockouts or gland plates
- Gland plate model provides easy retrofit and fast installation and allows for pre-terminated cables or pre-wired patch panels; no need to re-terminate and test
- Self-locking center-to-wall section latches in two locations
- Front access to all latches (no exposed side latches); cabinet can be installed tightly in corners
- Vented sides provide cross flow ventilation to improve heat dissipation
- Vertical cable manager included in 28-in.-wide models
- A full line of accessories is available

Specifications
Front Door (window or solid steel)

- Composite frame (injection molded top and bottom with extruded composite sides)
- 140-degree opening door
- Field-reversible (left or right) hinge
- Quarter-turn key lock, two keys included
- Window door is scratch-resistant 1/4-in. tinted safety glass
- Solid door has 16 gauge steel insert with matching black finish

Center Section

- Welded 14 gauge steel
- Solid top of center sections provides protection against falling debris
- Ventilated sides (to which fans can be added)
- Self-latching closure connects center section to wall section
- Self-alignment ramp supports center section to wall section
- Heavy duty center-to-rear section hinge with quick-release self-retained hinge pin eases wall installation

Rack-Mounting Angles

- 12 gauge, plated steel
- EIA universal spaced 19-in. rack-mounting holes
- RU marked from bottom to top
- Tapped 10-32 holes, 20 mounting screws included

Rear Wall Section

- Welded 14 gauge steel
- Radius corners; no sharp edges
- Available with knockouts or gland plates
- Raised pads for accessory mounting
- Cable tie-down points for cable management
- Keyhole mounting holes allow wall section to be mounted over fasteners and eases installation
- Three cable-entry grommets

Finish

Pretreated steel coated with RAL 9005 black light-textured, low-gloss polyester powder paint. Other finishes available—contact Hoffman Customer Service.

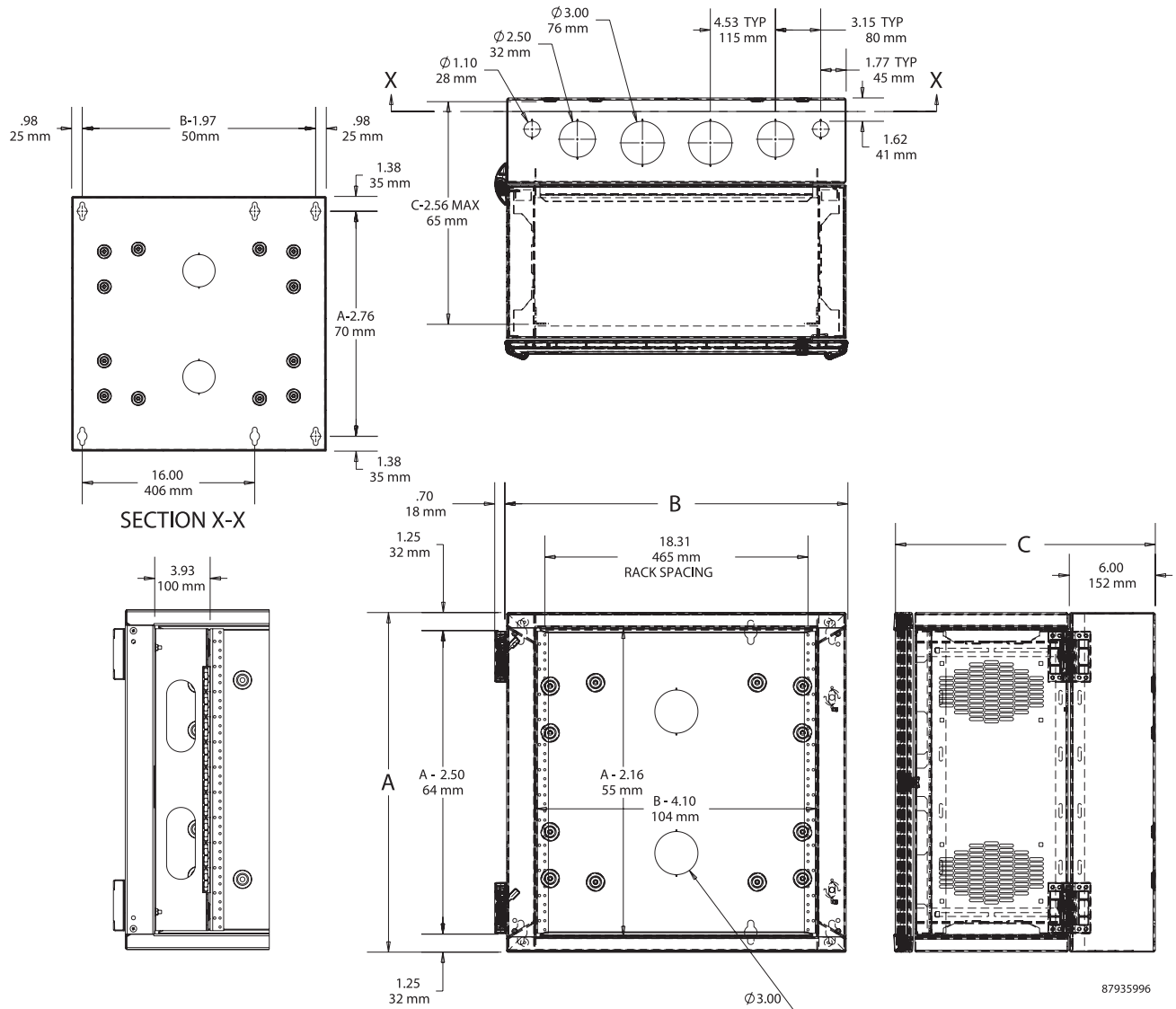
Bulletin: DWDH1

ACCESSPLUS® II Double-Hinge

Standard Product Window Door

Catalog Number	AxBxC in.	AxBxC mm	Rack Units	Additional Rack Angles (S=Square Hole) (T=Tapped Hole)
EWMW242418	23.60 x 23.62 x 18.20	600 x 600 x 462	12	EWMR24T or EWMR24S
EWMW362418	36.02 x 23.62 x 18.20	915 x 600 x 462	19	EWMR36T or EWMR36S
EWMW482418	48.03 x 23.62 x 18.20	1220 x 600 x 462	26	EWMR48T or EWMR48S
EWMW602418	60.04 x 23.62 x 18.20	1525 x 600 x 462	32	EWMR60T or EWMR60S
EWMW722418	72.05 x 23.62 x 18.20	1830 x 600 x 462	39	EWMR72T or EWMR72S
EWMW242425	23.62 x 23.62 x 25.09	600 x 600 x 637	12	EWMR24T or EWMR24S
EWMW362425	36.02 x 23.62 x 25.09	915 x 600 x 637	19	EWMR36T or EWMR36S
EWMW482425	48.03 x 23.62 x 25.09	1220 x 600 x 637	26	EWMR48T or EWMR48S
EWMW602425	60.04 x 23.62 x 25.09	1525 x 600 x 637	32	EWMR60T or EWMR60S
EWMW722425	72.05 x 23.62 x 25.09	1830 x 600 x 637	39	EWMR72T or EWMR72S
EWMW242430	23.62 x 23.62 x 30.01	600 x 600 x 762	12	EWMR24T or EWMR24S
EWMW362430	36.02 x 23.62 x 30.01	915 x 600 x 762	19	EWMR36T or EWMR36S
EWMW482430	48.03 x 23.62 x 30.01	1220 x 600 x 762	26	EWMR48T or EWMR48S

B dimension does not include wall-to-center section hinge.



28 IN. WIDE ENCLOSURE WITH CABLE MANAGER INSTALLED (SHOWN WITH DOOR REMOVED)

2 KNOCKOUTS WHEN A = 24 in.
3 KNOCKOUTS FOR ALL OTHER ENCLOSURES
(SHOWN WITH DOOR REMOVED)

87935996

ACCESSPLUS® II Double-Hinge

Standard Product **Solid Door**

Catalog Number	AxBxC in.	AxBxC mm	Rack Units	Additional Rack Angles (S=Square Hole) (T=Tapped Hole)
EWMS242418	23.62 x 23.62 x 18.20	600 x 600 x 462	12	EWMR24T or EWMR24S
EWMS362418	36.02 x 23.62 x 18.20	915 x 600 x 462	19	EWMR36T or EWMR36S
EWMS482418	48.03 x 23.62 x 18.20	1220 x 600 x 462	26	EWMR48T or EWMR48S
EWMS242425	23.62 x 23.62 x 25.09	600 x 600 x 637	12	EWMR24T or EWMR24S
EWMS362425	36.02 x 23.62 x 25.09	915 x 600 x 637	19	EWMR36T or EWMR36S
EWMS482425	48.03 x 23.62 x 25.09	1220 x 600 x 637	26	EWMR48T or EWMR48S

B dimension does not include wall-to-center section hinge.



Standard Product **Window Door with Cable Manager**

Catalog Number	AxBxC in.	AxBxC mm	Rack Units	Additional Rack Angles (S=Square Hole) (T=Tapped Hole)	Vertical Cable Mgr. Catalog Number*
EWMW242825	23.62 x 27.56 x 25.09	600 x 700 x 637	12	EWMR24T or EWMR24S	EWMC24
EWMW362825	36.02 x 27.56 x 25.09	915 x 700 x 637	19	EWMR36T or EWMR36S	EWMC36
EWMW482825	48.03 x 27.56 x 25.09	1220 x 700 x 637	26	EWMR48T or EWMR48S	EWMC48

B dimension does not include wall-to-center section hinge.

* For additional rack angles, also order vertical cable manager.



ACCESSPLUS® II Double-Hinge

Standard Product **Window Door with Gland Plate**

Catalog Number	AxBxC in.	AxBxC mm	Rack Units	Additional Rack Angles (S=Square Hole) (T=Tapped Hole)
EWMWG242418	23.62 x 23.62 x 18.20	600 x 600 x 462	12	EWMR24T or EWMR24S
EWMWG362418	36.02 x 23.62 x 18.20	915 x 600 x 462	19	EWMR36T or EWMR36S
EWMWG482418	48.03 x 23.62 x 18.20	1220 x 600 x 462	26	EWMR48T or EWMR48S
EWMWG242425	23.62 x 23.62 x 25.09	600 x 600 x 637	12	EWMR24T or EWMR24S
EWMWG362425	36.02 x 23.62 x 25.09	915 x 600 x 637	19	EWMR36T or EWMR36S
EWMWG482425	48.03 x 23.62 x 25.09	1220 x 600 x 637	26	EWMR48T or EWMR48S

B dimension does not include wall-to-center section hinge.



Load Rating

Height	Load Capacity
24 in.	250 lb.
36 in.	300 lb.
48 in.	350 lb.
60 in.	400 lb.
72 in.	500 lb.

ACCESSPLUS® II Double-Hinge

Vertical Cable Managers for 28-in.-Wide Cabinet



Use ACCESSPLUS Cable Managers when ordering additional rack angles for 28-in.-wide cabinet.

Bulletin: DWDH1

Catalog Number	Description	Fits Cabinet
EWMC24	ACCESSPLUS Vertical Cable Manager 24.00 in.	A = 24.00; B = 28.00
EWMC36	ACCESSPLUS Vertical Cable Manager 36.00 in.	A = 36.00; B = 28.00
EWMC48	ACCESSPLUS Vertical Cable Manager 48.00 in.	A = 48.00; B = 28.00

Vertical Cable Manager Capacity **Number of cables at 60 percent filled**

Cross Section (Area)	5e (0.22 in. dia.)	6 (0.28 in. dia.)	6A (0.35 in. dia.)
24.5 in. ²	380	300	208

Rack Angles



Bulletin: DWDH1

Catalog Number	Description	Rack Units	Fits Cabinet
EWMR24T	Fits 24-in. tapped	12	A = 24.00
EWMR36T	Fits 36-in. tapped	19	A = 36.00
EWMR48T	Fits 48-in. tapped	26	A = 48.00
EWMR60T	Fits 60-in. tapped	32	A = 60.00
EWMR72T	Fits 72-in. tapped	39	A = 72.00
EWMR24S	Fits 24-in. square	12	A = 24.00
EWMR36S	Fits 36-in. square	19	A = 36.00
EWMR48S	Fits 48-in. square	26	A = 48.00
EWMR60S	Fits 60-in. square	32	A = 60.00
EWMR72S	Fits 72-in. square	39	A = 72.00

Fan Kits



Bulletin: DWDH1

Catalog Number	Description	Fits Cabinet
EWMF1	4-in. fan with plug and blocking plates, 115 VAC, 100 CFM small	Fits all C = 18.00
EWMF2	4-in. fan with plug and blocking plates, 115 VAC, 100 CFM, large	Fits all C = 25.00 or 30.00

ACCESSPLUS® II Double-Hinge

DataCom Wall-Mount Cabinet with Gland Plate Application

This cabinet offers significant advantages in retrofit applications. The gland plate is mounted at the top and the bottom to accommodate cable runs from above, below or both. The gland plate casing can be removed while patch panels and associated wiring are brought to the cabinet.

1. Once the wall section is installed on the wall, lay in the patch panel.



2. Install the cable gland plate onto the wall section.



3. Use wire ties or cable wraps to secure the cable to the cabinet.



4. Install the center section, then mount patch panels on rack angles.



5. Close and lock the door.



PROTEK® Wall-Mount and Double-Hinge Cabinets

PROTEK®, Single-Door UL and NEMA Type 4 or 12



Features

- Solid door provides complete physical and visual protection
- Window door, made with scratch-resistant safety glass, provides equipment monitoring without opening the door to minimize contamination
- Fully welded and ground body and door construction for long-term good appearance and durability
- Foam-in-place seamless gasket around door seals against outdoor air infiltration; is non-absorbing and chemical resistant
- Type 12 cabinets have solid or window doors and a locking wing knob with two keys. They provide security and convenience in indoor applications.
- Type 4 cabinets have solid doors and a padlock-capable quarter-turn latch. They provide easy operation and locking options in indoor and outdoor applications.
- One set of adjustable, tapped rack angles included
- Optional square-hole (.375 in.) rack angles available for equipment mounting flexibility
- Rack angles are plated and self-grounding for durability and safety
- Collar studs provided on back of cabinet for mounting accessory panels
- Accessory panels for mounting additional accessories at the back of the cabinet include tie-down points and pre-drilled holes
- Plenum rated for use in air exchange areas

Industry Standards

UL 508A Listed; Type 4 or 12; File Number E619967
 cUL Listed per CSA C22.2 No. 94; Type 4 or 12; File Number E61997

NEMA/EEMAC Type 4 or 12
 IEC 60529, IP66 or IP55

Application

PROTEK® Cabinets are an excellent, off-the-shelf choice for mounting 19-in. rack network equipment in wet or dirty environments where floor space is at a premium. Solid or safety glass window door models provide application flexibility.

Specifications

- Doors and body made of 14 gauge steel
- Convenient studs provided on both door and body for bonding and grounding
- Rack angles tapped 10-32 per EIA standards; made of 12 gauge self-grounding plated steel
- Window is clear, .25-in. thick, scratch- and impact-resistant safety glass
- Optional polycarbonate window (not plenum rated) can be field- or factory-installed. Contact Hoffman Customer Service for factory installation.
- Twenty 10-32 screws included

Finish

Pretreated steel coated with RAL 7035 light-gray or RAL 9005 black textured, low-gloss polyester powder paint. Other finishes available—contact Hoffman Customer Service.

Bulletin: DWS12

Standard Product **Window Door, NEMA 12, IP55**

Catalog Number	AxBxC in./mm	Finish	Rack Units	Standard Panel	Accessory Panel	Additional Optional Rack Angles (Tapped Holes)	Additional Optional Rack Angles (Square Holes)
PTDW242412B	24.00 x 24.00 x 12.00 610 x 610 x 305	Black	12	CP2424	PTP2424A	PTRA1924TPL	PTRA1924THL
PTDW242412G	24.00 x 24.00 x 12.00 610 x 610 x 305	Gray	12	CP2424	PTP2424A	PTRA1924TPL	PTRA1924THL
PTDW362412B	36.50 x 24.00 x 12.00 927 x 610 x 305	Black	19	CP3624	PTP3624A	PTRA1936TPL	PTRA1936THL
PTDW362412G	36.50 x 24.00 x 12.00 927 x 610 x 305	Gray	19	CP3624	PTP3624A	PTRA1936TPL	PTRA1936THL
PTDW482412B	48.50 x 24.00 x 12.00 1232 x 610 x 305	Black	26	CP4824	PTP4824A	PTRA1948TPL	PTRA1948THL
PTDW482412G	48.50 x 24.00 x 12.00 1232 x 610 x 305	Gray	26	CP4824	PTP4824A	PTRA1948TPL	PTRA1948THL
PTDW242424B	24.00 x 24.00 x 24.00 610 x 610 x 610	Black	12	CP2424	PTP2424A	PTRA1924TPL	PTRA1924THL
PTDW242424G	24.00 x 24.00 x 24.00 610 x 610 x 610	Gray	12	CP2424	PTP2424A	PTRA1924TPL	PTRA1924THL
PTDW362424B	36.50 x 24.00 x 24.00 927 x 610 x 610	Black	19	CP3624	PTP3624A	PTRA1936TPL	PTRA1936THL
PTDW362424G	36.50 x 24.00 x 24.00 927 x 610 x 610	Gray	19	CP3624	PTP3624A	PTRA1936TPL	PTRA1936THL
PTDW482424B	48.50 x 24.00 x 24.00 1232 x 610 x 610	Black	26	CP4824	PTP4824A	PTRA1948TPL	PTRA1948THL
PTDW482424G	48.50 x 24.00 x 24.00 1232 x 610 x 610	Gray	26	CP4824	PTP4824A	PTRA1948TPL	PTRA1948THL

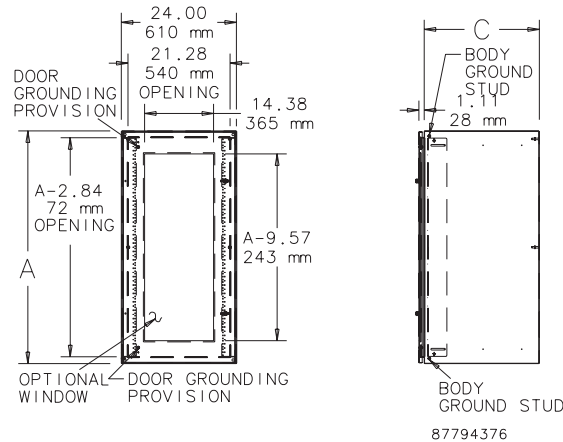
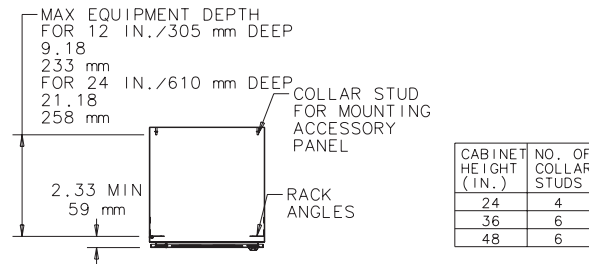
PROTEK® Wall-Mount and Double-Hinge Cabinets

Standard Product **Solid Door, NEMA 4, IP66**

Catalog Number	AxBxC in./mm	Finish	Rack Units	Standard Panel	Accessory Panel	Additional Optional Rack Angles (Tapped Holes)	Additional Optional Rack Angles (Square Holes)
PTDS242412G4	24.00 x 24.00 x 12.00 610 x 610 x 305	Gray	12	CP2424	PTP2424A	PTRA1924TPL	PTRA1924THL
PTDS362412G4	36.50 x 24.00 x 12.00 927 x 610 x 305	Gray	19	CP3624	PTP3624A	PTRA1936TPL	PTRA1936THL
PTDS482412G4	48.50 x 24.00 x 12.00 1232 x 610 x 305	Gray	26	CP4824	PTP4824A	PTRA1948TPL	PTRA1948THL
PTDS242424G4	24.00 x 24.00 x 24.00 610 x 610 x 610	Gray	12	CP2424	PTP2424A	PTRA1924TPL	PTRA1924THL
PTDS362424G4	36.50 x 24.00 x 24.00 927 x 610 x 610	Gray	19	CP3624	PTP3624A	PTRA1936TPL	PTRA1936THL
PTDS482424G4	48.50 x 24.00 x 24.00 1232 x 610 x 610	Gray	26	CP4824	PTP4824A	PTRA1948TPL	PTRA1948THL

Standard Product **Solid Door, NEMA 12, IP55**

Catalog Number	AxBxC in./mm	Rack Units	Standard Panel	Accessory Panel	Additional Optional Rack Angles (Tapped Holes)	Additional Optional Rack Angles (Square Holes)
PTDS242412B	24.00 x 24.00 x 12.00 610 x 610 x 305	12	CP2424	PTP2424A	PTRA1924TPL	PTRA1924THL
PTDS242412G	24.00 x 24.00 x 12.00 610 x 610 x 305	12	CP2424	PTP2424A	PTRA1924TPL	PTRA1924THL
PTDS362412B	36.50 x 24.00 x 12.00 92700 x 610 x 305	19	CP3624	PTP3624A	PTRA1936TPL	PTRA1936THL
PTDS362412G	36.50 x 24.00 x 12.00 927 x 610 x 305	19	CP3624	PTP3624A	PTRA1936TPL	PTRA1936THL
PTDS482412B	48.50 x 24.00 x 12.00 1232 x 610 x 305	26	CP4824	PTP4824A	PTRA1948TPL	PTRA1948THL
PTDS482412G	48.50 x 24.00 x 12.00 1232 x 610 x 305	26	CP4824	PTP4824A	PTRA1948TPL	PTRA1948THL
PTDS242424B	24.00 x 24.00 x 24.00 610 x 610 x 610	12	CP2424	PTP2424A	PTRA1924TPL	PTRA1924THL
PTDS242424G	24.00 x 24.00 x 24.00 610 x 610 x 610	12	CP2424	PTP2424A	PTRA1924TPL	PTRA1924THL
PTDS362424B	36.50 x 24.00 x 24.00 927 x 610 x 610	19	CP3624	PTP3624A	PTRA1936TPL	PTRA1936THL
PTDS362424G	36.50 x 24.00 x 24.00 927 x 610 x 610	19	CP3624	PTP3624A	PTRA1936TPL	PTRA1936THL
PTDS482424B	48.50 x 24.00 x 24.00 1232 x 610 x 610	26	CP4824	PTP4824A	PTRA1948TPL	PTRA1948THL
PTDS482424G	48.50 x 24.00 x 24.00 1232 x 610 x 610	26	CP4824	PTP4824A	PTRA1948TPL	PTRA1948THL



PROTEK® Wall-Mount and Double-Hinge Cabinets

PROTEK® Single-Door Fan and Filter Thermal Packages, UL and NEMA Type 1



Industry Standards

UL 508A Listed; Type 1; File Number E619967
 cUL Listed per CSA C22.2 No. 94; Type 1; File Number E61997

NEMA / EEMAC: Type 1
 IEC 60529, IP 30

Application

PROTEK® Fan and Filter Packages are ideal for protecting sensitive 19-in. rack equipment from harmful environmental contaminants such as falling dirt, dust and dripping water. Use where the ambient air can be used to cool the internal equipment and where protection from falling dirt and dripping water is needed. Filters assist in removing contaminants and are easily removed for periodic cleaning without accessing the cabinet. Top-mounted fans provide increased airflow and maximize heat dissipation of internally mounted equipment. Both top-mounted fans and bottom-mounted intake filters are positioned away from 19-in. rack-mounting areas.

Features

- Solid door provides complete physical and visual protection
- Window door, made with scratch-resistant safety glass, provides equipment monitoring without opening the door to minimize contamination
- Fully welded and ground body and door construction for long-term good appearance and durability
- Foam-in-place seamless gasket around door seals against outdoor air infiltration; is non-absorbing and chemically resistant

- Type 12 cabinets have window doors and a locking wing knob with two keys. They provide security and convenience in indoor applications.
- Type 4 cabinets have solid doors and a padlock-capable, tamper-resistant, quarter-turn latch (tool included). They provide easy operation and locking options in indoor and outdoor applications.
- One set of adjustable tapped rack angles included
- Optional square-hole (.375-in.) rack angles available for equipment mounting flexibility
- Rack angles are plated and self-grounding for durability and safety
- Collar studs provided on back of cabinet for mounting accessory panels
- Accessory panels for mounting additional accessories at the back of the cabinet include tie-down points and pre-drilled holes
- Plenum rated for use in air exchange areas

Specifications

- Doors made of 16 gauge steel; body made of 14 gauge steel
- Convenient studs provided on both door and body for bonding and grounding
- Rack angles tapped 10-32 per EIA standards; made of 12 gauge self-grounding plated steel
- Window is clear, .25-in. thick, scratch- and impact-resistant safety glass
- Optional polycarbonate window (not plenum rated) can be field- or factory-installed. Contact Hoffman Customer Service for factory installation.
- Twenty 10-32 screws included
- Pagoda top-mounted 6-in. fan and bottom-mounted 10-in. filter inlet
- Top shroud protects cabinet and fan from falling debris and dripping water
- Bottom-mounted air inlet with outside removable and cleanable filter
- Regular filter cleaning required for optimum thermal performance
- Operates on 110/115 VAC 50/60 Hz line voltage
- Standard NEMA 15 A plug internal to the cabinet (5-15P)

Finish

Pretreated steel coated with RAL 7035 light gray textured, low-gloss polyester powder paint. Other paint finishes available—contact Hoffman Customer Service for details.

Load Rating

WARNING: The cabinet must be safely and correctly mounted to the wall to support the total weight of the cabinet and its contents. Due to various applications and wall constructions, consultation with a structural engineer and analysis of the mounting wall is advised.

Bulletin: DWS12

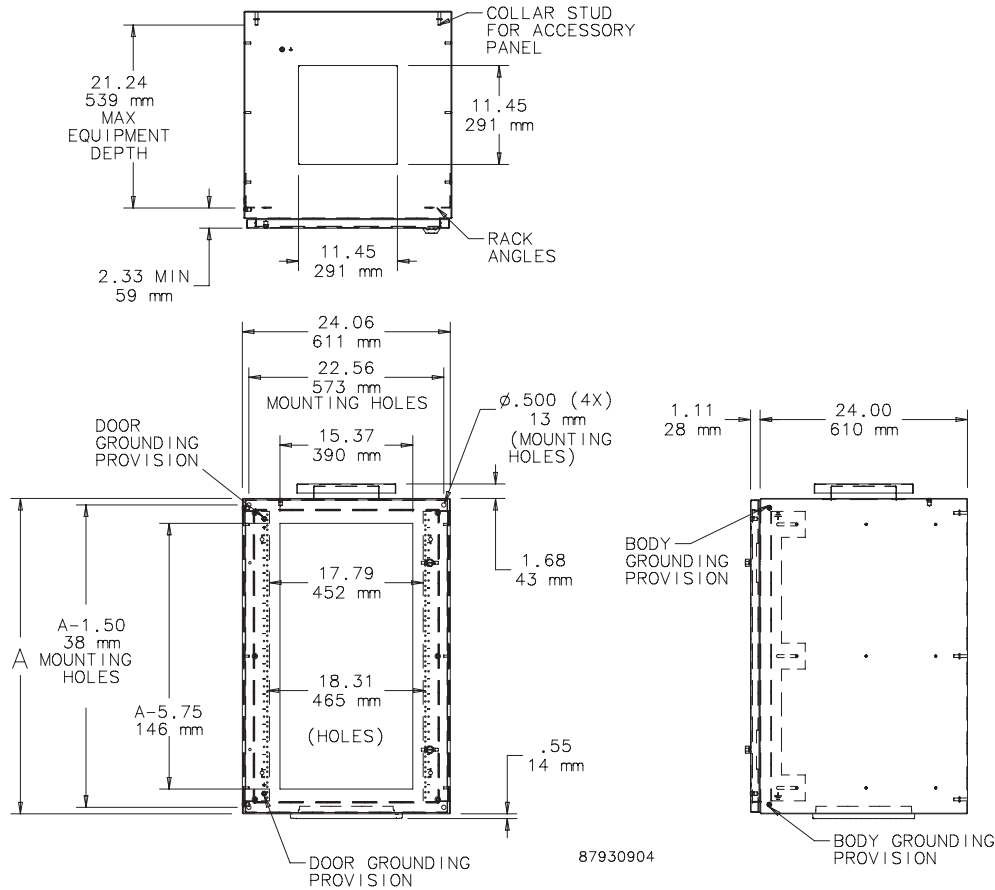
Standard Product **PROTEK Single Window Door UL Type 1 Fan and Filter Packages**

Catalog Number	AxBxC in.	AxBxC mm	Rack Units	Accessory Panels	Standard Panels	Additional Optional Rack Angles (Tapped Holes)	Additional Optional Rack Angles (Square Holes)
PTDW242424GF	24.00 x 24.00 x 24.00	610 x 610 x 610	12	PTP2424A	CP2424	PTRA1924TPL	PTRA1924THL
PTDW362424GF	36.50 x 24.00 x 24.00	927 x 610 x 610	19	PTP3624A	CP3624	PTRA1936TPL	PTRA1936THL
PTDW482424GF	48.50 x 24.00 x 24.00	1232 x 610 x 610	26	PTP4824A	CP4824	PTRA1948TPL	PTRA1948THL

Technical Operating Information Fan Unit (6-in. Fan with Cord) **Replacement Filter No. AFLTR10**

Hz	Voltage VAC	CFM	W @ 50/60 Hz	Full Load Amp @ 50/60 Hz	Noise SIL (db)
50/60	115	200/240	36/32	.45/.36	50/56

PROTEK® Wall-Mount and Double-Hinge Cabinets



Thermal Performance for Fan and Filter Packages

PROTEK Fan and Filter Packages calculated thermal performance
Max. Internal Temperature: 100 F
Voltage / Hertz: 115 VAC/60 Hz
Filters: Clean (Regular cleaning required to maintain airflow)
Air Volume: 200 CFM (Exact CFM dependant on Voltage, Frequency, and filter efficiency)
Max. Elevation: 6,000 ft. (Contact Hoffman for elevations above 6,000 ft.)

Thermal Performance PROTEK® Fan and Filter Packages

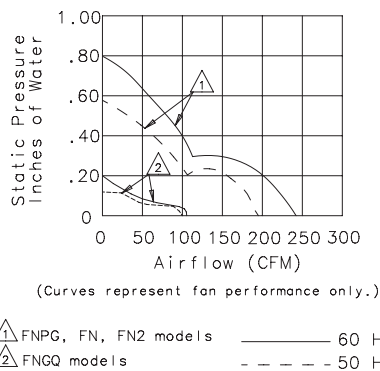
Ambient Temperature (°F)	Watts (Heat) Dissipated
100 or above	Not recommended Consider PROTEK Air Conditioner Package
95	316
90	632
85	948
80	1264
75	1580
70	1896
65	2212
60	2528
55	2844

Watts = .316 x CFM x delta T (degrees F) (at sea level)

Delta T = Max internal temperature (degrees F) – Ambient external temperature (degrees F)

Ambient temperature is the air temperature in and around the intake opening of the cabinet. Fan cooling can never cool the equipment below ambient temperature.

Performance Curve: 6 in. Fans



87924791

PROTEK® Wall-Mount and Double-Hinge Cabinets

PROTEK® Single-Door Thermal AC Package, UL and NEMA Type 4 or 12



Industry Standards

PROTEK Air Conditioner Packages Indoor (Type 12)

UL 508A Listed; Type 12; File Number E619967
 cUL Listed per CSA C22.2 No. 94; Type 12; File Number E61997

NEMA / EEMAC: Type 12
 IEC 60529, IP 55

PROTEK Air Conditioner Packages Outdoor (Type 4)

UL 508A Listed; Type 12, 4; File Number E619967
 cUL Listed per CSA C22.2 No. 94; Type 12, 4; File Number E61997

NEMA / EEMAC: Type 12, 4
 IEC 60529, IP 66

Application

The PROTEK® Thermal Package is an excellent, off-the-shelf choice for mounting 19-in. rack network equipment in wet or dirty environments where filtration or air conditioning is required and floor space is at a premium. Complete Fan and Filter and Air Conditioner Packages are available to match application requirements.

Features

- Solid door provides complete physical and visual protection
- Window door, made with scratch-resistant safety glass, provides equipment monitoring without opening the door to minimize contamination
- Fully welded and ground body and door construction for long-term good appearance and durability
- Foam-in-place seamless gasket around door seals against outdoor air infiltration; is non-absorbing and chemically resistant
- Type 12 cabinets have window doors and a locking wing knob with two keys. They provide security and convenience in indoor applications.

- Type 4 cabinets have solid doors and a padlock-capable, tamper-resistant, quarter-turn latch (tool included). They provide easy operation and locking options in indoor and outdoor applications.
- One set of adjustable tapped rack angles included
- Optional square-hole (.375-in.) rack angles available for equipment mounting flexibility
- Rack angles are plated and self-grounding for durability and safety
- Collar studs provided on back of cabinet for mounting accessory panels
- Accessory panels for mounting additional accessories at the back of the cabinet include tie-down points and pre-drilled holes
- Plenum rated for use in air exchange areas
- Cabinet shipped with air conditioner uninstalled

Specifications

- Doors made of 16 gauge steel; body made of 14 gauge steel
- Convenient studs provided on both door and body for bonding and grounding
- Rack angles tapped 10-32 per EIA standards; made of 12 gauge self-grounding plated steel
- Window is clear, .25-in. thick, scratch- and impact-resistant safety glass
- Optional polycarbonate window (not plenum rated) can be field- or factory-installed. Contact Hoffman Customer Service for factory installation.
- Twenty 10-32 screws included
- Right-side-mounted T4 Line Indoor/Outdoor Air Conditioner
- Operates on 110/115 VAC 50/60 Hz line voltage
- Standard NEMA 15 A plug internal to the cabinet (5-15P)
- See table for technical operating information
- Routine maintenance required for optimum performance (see service manual)

Finish

Pretreated steel coated with RAL 7035 light gray textured, low-gloss polyester powder paint. Other paint finishes available—contact Hoffman Customer Service for details.

Load Rating

WARNING: The cabinet must be safely and correctly mounted to the wall to support the total weight of the cabinet and its contents. Due to various applications and wall constructions, consultation with a structural engineer and analysis of the mounting wall is advised.

Bulletin: DWS12

Standard Product Single Window-Door UL Type 12 Air Conditioner Packages

Catalog Number	AxBxC in.	AxBxC mm	Rack Units	Accessory Panels	Standard Panel	Additional Optional Rack Angles (Tapped Holes)	Additional Optional Rack Angles (Square Holes)
PTDW242424GA	24.00 x 24.00 x 24.00	610 x 610 x 610	12	PTP2424A	CP2424	PTRA1924TPL	PTRA1924THL
PTDW362424GA	36.50 x 24.00 x 24.00	927 x 610 x 610	19	PTP3624A	CP3624	PTRA1936TPL	PTRA1936THL
PTDW482424GA	48.50 x 24.00 x 24.00	1232 x 610 x 610	26	PTP4824A	CP4824	PTRA1948TPL	PTRA1948THL

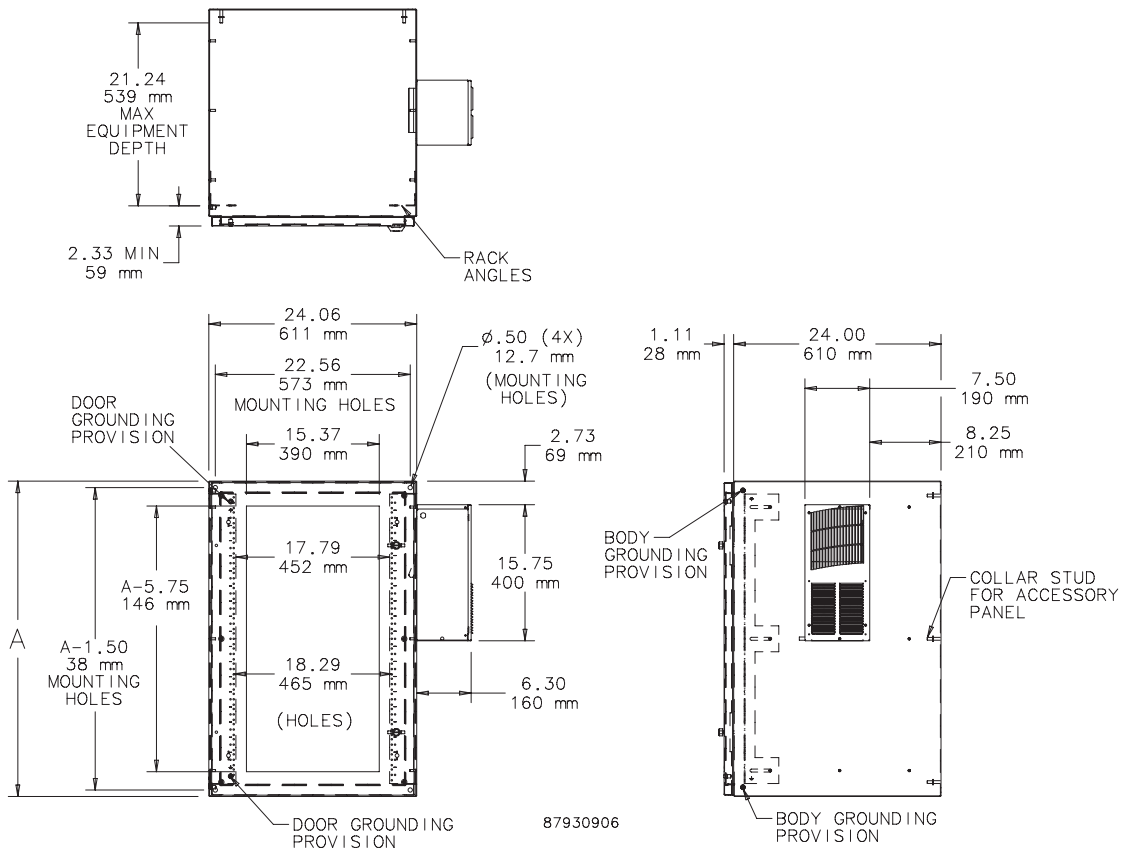
Standard Product Single Solid-Door UL Type 4 Air Conditioner Packages

Catalog Number	AxBxC in.	AxBxC mm	Rack Units	Accessory Panels	Standard Panel	Additional Optional Rack Angles (Tapped Holes)	Additional Optional Rack Angles (Square Holes)
PTDS242424GA4	24.00 x 24.00 x 24.00	610 x 610 x 610	12	PTP2424A	CP2424	PTRA1924TPL	PTRA1924THL
PTDS362424GA4	36.50 x 24.00 x 24.00	927 x 610 x 610	19	PTP3624A	CP3624	PTRA1936TPL	PTRA1936THL
PTDS482424GA4	48.50 x 24.00 x 24.00	1232 x 610 x 610	26	PTP4824A	CP4824	PTRA1948TPL	PTRA1948THL

Technical Operating Information AC Unit (T150116G100) Replacement Filter No. 10100091

Hz	Voltage VAC	Phase	BTU/Hr @ Max. Amb. Temp. (E)	Full Load Amp	Max. Amb. Temp. (°F)	Max. Amb. Temp. (°C)	Cord and Plug
60 (50)	110 - 115	1	800 (235 watts)	3.6 (3.8)	131 (125)	52 (52)	24-in. cord length 5-15PPlug

PROTEK® Wall-Mount and Double-Hinge Cabinets



Thermal Performance for Air Conditioner Packages

PROTEK Air Conditioner calculated thermal performance
AC Performance: 800 BTU/hour or 235 watts
Voltage / Hertz: 115 VAC/60 Hz
Max. Ambient Temperature: 131 F
Min. Ambient Temperature: -40 F
Max. Internal Temperature: 100 F (Allowable)

Thermal Performance PROTEK® Air Conditioner Packages

Ambient Temperature (°F)	Watts (Heat) Dissipated Cabinet Height: 24 in.	Watts (Heat) Dissipated Cabinet Height: 36 in.	Watts (Heat) Dissipated Cabinet Height: 48 in.
130	15	N/A	N/A
120	88	73	59
110	161	154	146
100	234	234	234
90	308	315	322
80	381	396	410
70	454	476	498
60	527	557	586
50	601	637	674
40	674	718	762

N/A = Not applicable and not recommended in these applications

1 BTU = 3.413 watts

PROTEK® Wall-Mount and Double-Hinge Cabinets

PROTEK® DH Double-Hinge, UL and NEMA Type 4 or 12



Industry Standards

UL 508A Listed; Type 4 or 12; File Number E619967
 cUL Listed per CSA C22.2 No. 94; Type 4 or 12; File Number E61997

NEMA/EEMAC: Type 4 or 12
 IEC 60529, IP66 or IP55

Application

PROTEK® DH Cabinets protect equipment in wet or dirty environments and can be pole- or wall-mounted. Available with reversible left or right hinging, the cabinet swings open to provide easy equipment service and installation access.

Features

- Type 12 cabinets available with solid or window doors and have a locking wing knob with two keys. They provide security and convenience in indoor applications.
- Type 4 cabinets have solid doors and a padlock-capable quarter-turn latch. They provide easy operation and locking options in indoor and outdoor applications.
- Solid door provides complete physical and visual protection
- Window door, made with scratch resistant safety glass, allows equipment monitoring without opening the door to minimize contamination
- Double-hinged for easy equipment access
- Front access to center body hinging and back section latches
- Exclusive toolless self-fastening latch is easy to open, yet automatically closes securely
- Latch on front of door eliminates need to access sides to open door or back section latches
- Latch-free sides permit side of cabinet to be installed tightly into a corner
- Fully welded and ground body and door construction for long-term good appearance and durability
- Foam-in-place seamless gasket around door seals against outdoor air infiltration; is non-absorbing and chemical resistant
- One set of adjustable tapped rack angles included
- Optional square hole rack angles available for equipment mounting flexibility
- Rack angles are plated and self-grounding for durability and safety

- Collar studs provided on back of cabinet for mounting accessory panels
- Accessory panels for mounting additional accessories at the back of the cabinet include tie-down points and pre-drilled holes
- Plenum rated for use in air exchange areas
- Available modifications include paint colors, holes and cutouts, and custom sizes

Specifications

- Doors and body made of 14 gauge steel
- Convenient studs provided on center section for bonding and grounding
- Rack angles tapped 10-32 per EIA standards; made of 12 gauge self-grounding plated steel
- Window is clear, .25 in. thick, scratch and impact resistant safety glass
- Optional polycarbonate window (not plenum rated) can be field- or factory-installed. Contact Hoffman Customer Service for factory installation.
- Twenty 10-32 screws included

Finish

Pretreated steel coated with RAL 7035 light gray textured, low gloss polyester powder paint. Other finishes available – contact Hoffman Customer Service.

Load Rating

HEIGHT	RATING
16.00 (in.)	100 lb. (45.4 kg)
20.00 (in.)	100 lb. (45.4 kg)
24.00 (in.)	100 lb. (45.4 kg)
36.00 (in.)	125 lb. (56.7 kg)
48.00 (in.)	175 lb. (79.4 kg)

Options

See the appropriate option for more information. Options include:

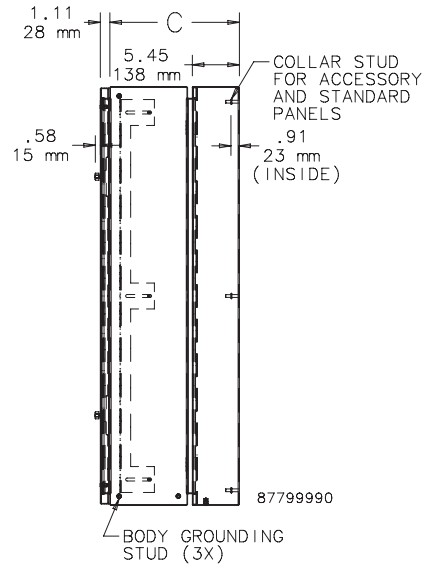
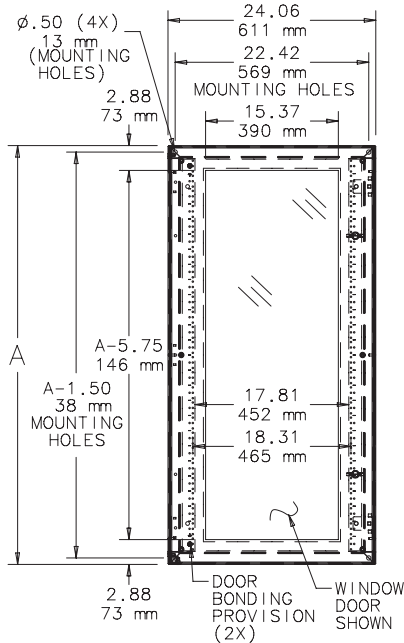
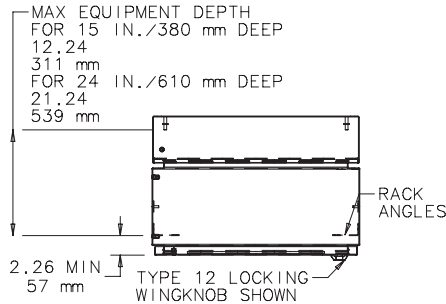
- PROTEK® DH Type 1, 4 or 12 Double-Hinged Wall-Mount Cabinet Accessory Panels
- PROTEK® Polycarbonate Window Inserts
- PROTEK® Rack Angles

Bulletin: DWS12

PROTEK® Wall-Mount and Double-Hinge Cabinets

Standard Product

Catalog Number	AxBxCin.	AxBxC mm	Rack Units	Door Style	UL/NEMA Type	IP Rating	Accessory Panel	Standard Panel	Additional Optional Rack Angles (Tapped Holes)	Additional Optional Rack Angles (Square Holes)
PTDHS162415G4	16.00 x 24.00 x 15.00	406 x 610 x 381	8	Solid	4	IP66	PTPDH1624A	A24P16	PTRA1916TPL	PTRA1916THL
PTDHS162415G	16.00 x 24.00 x 15.00	406 x 610 x 381	8	Solid	12	IP55	PTPDH1624A	A24P16	PTRA1916TPL	PTRA1916THL
PTDHW162415G	16.00 x 24.00 x 15.00	406 x 610 x 381	8	Window	12	IP55	PTPDH1624A	A24P16	PTRA1916TPL	PTRA1916THL
PTDHS202415G4	20.00 x 24.00 x 15.00	508 x 610 x 381	10	Solid	4	IP66	PTPDH2024A	A24P20	PTRA1920TPL	PTRA1924THL
PTDHS202415G	20.00 x 24.00 x 15.00	508 x 610 x 381	10	Solid	12	IP55	PTPDH2024A	A24P20	PTRA1920TPL	PTRA1924THL
PTDHW202415G	20.00 x 24.00 x 15.00	508 x 610 x 381	10	Window	12	IP55	PTPDH2024A	A24P20	PTRA1920TPL	PTRA1924THL
PTDHS242415G4	24.00 x 24.00 x 15.00	610 x 610 x 381	12	Solid	4	IP66	PTPDH2424A	A24P24	PTRA1924TPL	PTRA1924THL
PTDHS242415G	24.00 x 24.00 x 15.00	610 x 610 x 381	12	Solid	12	IP55	PTPDH2424A	A24P24	PTRA1924TPL	PTRA1924THL
PTDHW242415G	24.00 x 24.00 x 15.00	610 x 610 x 381	12	Window	12	IP55	PTPDH2424A	A24P24	PTRA1924TPL	PTRA1924THL
PTDHS362415G4	36.50 x 24.00 x 15.00	927 x 610 x 381	19	Solid	4	IP66	PTPDH3624A	A36P24	PTRA1936TPL	PTRA1936THL
PTDHS362415G	36.50 x 24.00 x 15.00	927 x 610 x 381	19	Solid	12	IP55	PTPDH3624A	A36P24	PTRA1936TPL	PTRA1936THL
PTDHW362415G	36.50 x 24.00 x 15.00	927 x 610 x 381	19	Window	12	IP55	PTPDH3624A	A36P24	PTRA1936TPL	PTRA1936THL
PTDHS482415G4	48.50 x 24.00 x 15.00	1232 x 610 x 381	26	Solid	4	IP66	PTPDH4824A	A48P24	PTRA1948TPL	PTRA1948THL
PTDHS482415G	48.50 x 24.00 x 15.00	1232 x 610 x 381	26	Solid	12	IP55	PTPDH4824A	A48P24	PTRA1948TPL	PTRA1948THL
PTDHW482415G	48.50 x 24.00 x 15.00	1232 x 610 x 381	26	Window	12	IP55	PTPDH4824A	A48P24	PTRA1948TPL	PTRA1948THL
PTDHS242424G4	24.00 x 24.00 x 24.00	610 x 610 x 610	12	Solid	4	IP66	PTPDH2424A	A24P24	PTRA1924TPL	PTRA1924THL
PTDHS242424G	24.00 x 24.00 x 24.00	610 x 610 x 610	12	Solid	12	IP55	PTPDH2424A	A24P24	PTRA1924TPL	PTRA1924THL
PTDHW242424G	24.00 x 24.00 x 24.00	610 x 610 x 610	12	Window	12	IP55	PTPDH2424A	A24P24	PTRA1924TPL	PTRA1924THL
PTDHS362424G4	36.50 x 24.00 x 24.00	927 x 610 x 610	19	Solid	4	IP66	PTPDH3624A	A36P24	PTRA1936TPL	PTRA1936THL
PTDHS362424G	36.50 x 24.00 x 24.00	927 x 610 x 610	19	Solid	12	IP55	PTPDH3624A	A36P24	PTRA1936TPL	PTRA1936THL
PTDHW362424G	36.50 x 24.00 x 24.00	927 x 610 x 610	19	Window	12	IP55	PTPDH3624A	A36P24	PTRA1936TPL	PTRA1936THL
PTDHS482424G4	48.50 x 24.00 x 24.00	1232 x 610 x 610	26	Solid	4	IP66	PTPDH4824A	A48P24	PTRA1948TPL	PTRA1948THL
PTDHS482424G	48.50 x 24.00 x 24.00	1232 x 610 x 610	26	Solid	12	IP55	PTPDH4824A	A48P24	PTRA1948TPL	PTRA1948THL
PTDHW482424G	48.50 x 24.00 x 24.00	1232 x 610 x 610	26	Window	12	IP55	PTPDH4824A	A48P24	PTRA1948TPL	PTRA1948THL



PROTEK® Wall-Mount and Double-Hinge Cabinets

PROTEK® DH Double-Hinge Fan and Filter Thermal Packages, UL and NEMA Type 1



- Optional square hole (.375 in.) rack angles available for equipment mounting flexibility
- Rack angles are plated and self-grounding for durability and safety
- Collar studs provided on back of cabinet for mounting accessory panels
- Accessory panels for mounting additional accessories at the back of the cabinet include tie-down points and pre-drilled holes
- Plenum rated for use in air exchange areas
- Double-hinged for easy equipment access
- Front access to center body hinging and back section latches
- Exclusive tool-less self-fastening latch is easy to open, yet automatically closes securely
- Latch on front of door eliminates need to access sides to open door or back section latches
- Latch-free sides permit cabinet to be installed tightly into a corner

Industry Standards

UL 508A Listed; Type 1; File Number E619967
cUL Listed per CSA C22.2 No. 94; Type 1; File Number E61997

NEMA / EEMAC: Type 1
IEC 60529, IP 55

Application

PROTEK® Fan and Filter Packages are ideal for protecting sensitive 19-in. rack equipment from harmful environmental contaminants such as falling dirt, dust and dripping water. Use for applications where the ambient air can be used to cool the internal equipment and where protection from falling dirt and dripping water is needed. Filters assist in removing contaminants and are easily removed for periodic cleaning without accessing the cabinet. Top-mounted fans provide increased airflow and maximize heat dissipation of internally mounted equipment. Both top-mounted fans and bottom-mounted intake filters are positioned away from 19-inch rack-mounting areas.

Features

- Solid door provides complete physical and visual protection
- Window door, made with scratch-resistant safety glass, provides equipment monitoring without opening the door to minimize contamination
- Fully welded and ground body and door construction for long-term good appearance and durability
- Foam-in-place seamless gasket around door seals against outdoor air infiltration; is non-absorbing and chemically resistant
- Type 1 cabinets have window doors and a locking wing knob with two keys. They provide security and convenience in indoor applications.
- One set of adjustable tapped rack angles included

Specifications

- Doors made of 16 gauge steel and body made of 14 gauge steel
- Convenient studs provided on both door and body for bonding and grounding
- Rack angles tapped 10-32 per EIA standards; made of 12 gauge self-grounding plated steel
- Window is clear, .25-in. thick, scratch- and impact-resistant safety glass
- Optional polycarbonate window (not plenum rated) can be field- or factory-installed. Contact Hoffman Customer Service for factory installation.
- Twenty 10-32 screws included
- Pagoda top-mounted 6-in. fan and bottom-mounted 10-in. filter inlet
- Top fan shroud protects cabinet and fan from falling debris and dripping water
- Bottom-mounted air inlet with outside removable and cleanable filter
- Regular filter cleaning required for optimum thermal performance
- Operates on 110/115 VAC 50/60 Hz line voltage
- Standard NEMA 15 A plug internal to the cabinet (5-15P)

Finish

Pretreated steel coated with RAL 7035 light-gray, textured, low-gloss polyester powder paint. Other paint finishes available—contact Hoffman Customer Service for details.

Load Rating

WARNING: The cabinet must be safely and correctly mounted to the wall to support the total weight of the cabinet and its contents. Due to various applications and wall constructions, consultation with a structural engineer and analysis of the mounting wall is advised.

Bulletin: DWDH2

Standard Product Double-Hinged Window-Door Type 1 Fan and Filter Packages

Catalog Number	AxBxC in.	AxBxC mm	Rack Units	Accessory Panels	Standard Panel	Additional Optional Rack Angles (Tapped Holes)	Additional Optional Rack Angles (Square Holes)
PTDHW242424GF	24.00 x 24.00 x 24.00	610 x 610 x 610	12	PTPDH2424A	A24P24	PTRA1924TPL	PTRA1924THL
PTDHW362424GF	36.50 x 24.00 x 24.00	927 x 610 x 610	19	PTPDH3624A	A36P24	PTRA1936TPL	PTRA1936THL
PTDHW482424GF	48.50 x 24.00 x 24.00	1232 x 610 x 610	26	PTPDH4824A	A48P24	PTRA1948TPL	PTRA1948THL

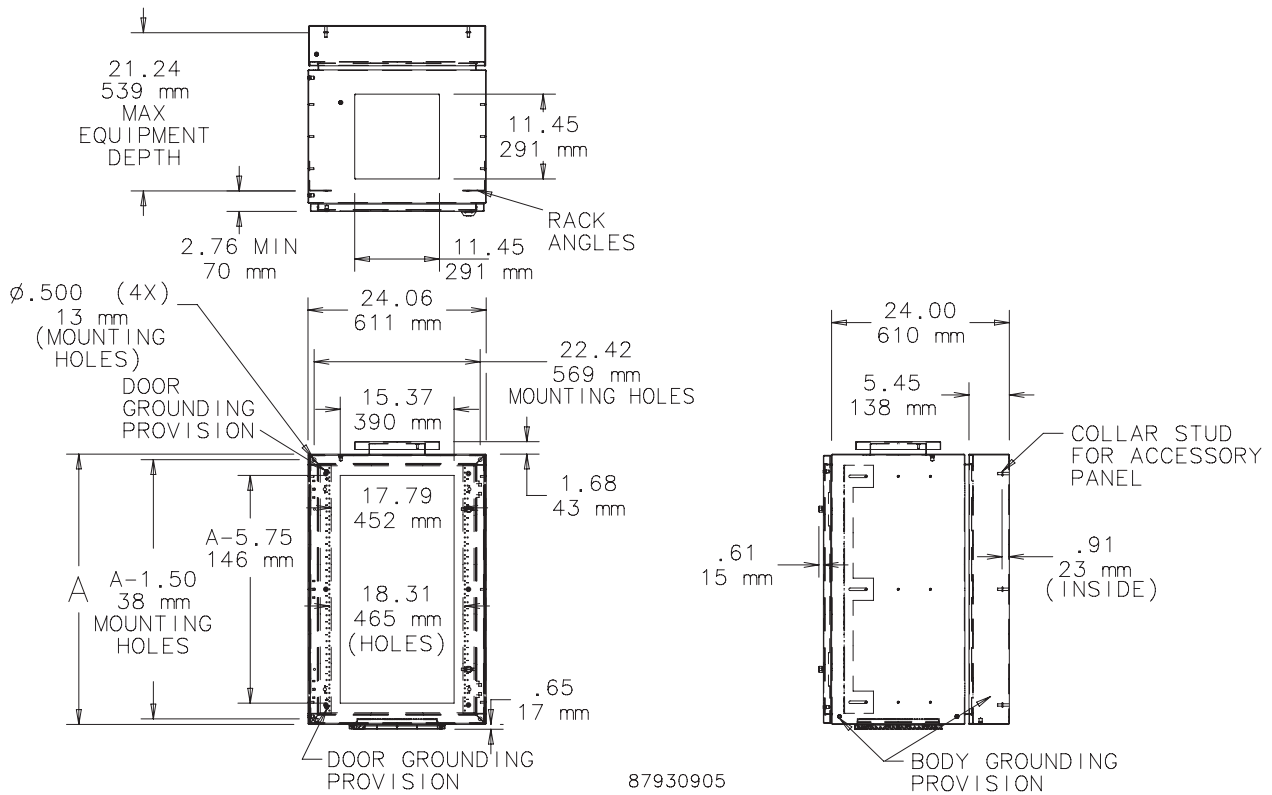
Load Ratings

Height	Max. Load Rack Angles Mounted to Center Section	Max. Load Accessory Panel Mounted Rear Section to Collar Studs
16 in.	100 lb.	50 lb.
20 in.	100 lb.	80 lb.
24 in.	100 lb.	100 lb.
36 in.	125 lb.	200 lb.
48 in.	175 lbs.	300 lb.

PROTEK® Wall-Mount and Double-Hinge Cabinets

Technical Operating Information Fan Unit (6-in. Fan with Cord) Replacement Filter No. AFLTR10

Hz	Voltage VAC	CFM	W @ 50/60 Hz	Full Load Amp @ 50/60 Hz	Noise SIL
50/60	115	200/240	36/32	.45/.36	50/56 dB



Thermal Performance for Fan and Filter DH Packages

PROTEK Fan and Filter Packages calculated thermal performance

Max. Internal Temperature: 100 F

Voltage / Hertz: 115 VAC/60 Hz

Filters: Clean (Regular cleaning required to maintain airflow)

Air Volume: 200 CFM (Exact CFM dependant on Voltage, Frequency, and filter efficiency)

Max. Elevation: 6,000 ft. (Contact Hoffman for elevations above 6,000 ft.)

Thermal Performance PROTEK® Fan and Filter Packages

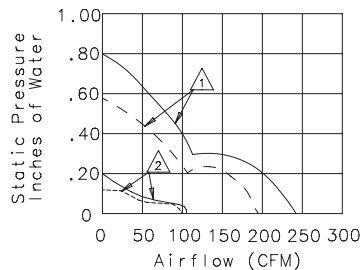
Ambient Temperature (°F)	Watts (Heat) Dissipated
100 or above	Not recommended
	Consider PROTEK Air conditioner Package
95	316
90	632
85	948
80	1264
75	1580
70	1896
65	2212
60	2528
55	2844

Watts = .316 x CFM x Delta T (°F) (at sea level)

Delta T = Max internal Temperature (degrees F) – Ambient external Temperature (degrees F)

Ambient temperature is the air temperature in and around the intake opening of the cabinet. Fan cooling can never cool the equipment below ambient temperature.

Performance Curve: 6 in. Fans



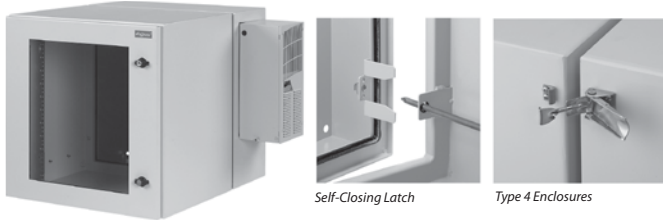
(Curves represent fan performance only.)

△ FNGP, FN, FN2 models ——— 60 Hz
 △ FNGQ models - - - - - 50 Hz

87924791

PROTEK® Wall-Mount and Double-Hinge Cabinets

PROTEK® DH Double-Hinge Thermal AC Package, UL and NEMA Type 4 or 12



- One set of adjustable tapped rack angles included
- Optional square hole (.375 in.) rack angles available for equipment mounting flexibility
- Rack angles are plated and are self-grounding for durability and safety
- Collar studs provided on back of cabinet for mounting accessory panels
- Accessory panels for mounting additional accessories at the back of the cabinet include tie-down points and pre-drilled holes
- Plenum rated for use in air exchange areas
- Double-hinged for easy equipment access
- Front access to center body hinging and back section latches
- Exclusive tool-less self-fastening latch is easy to open, yet automatically closes securely
- Latch on front of door eliminates need to access sides to open door or back section latches
- Cabinet shipped with air conditioner uninstalled

Industry Standards

PROTEK Air Conditioner Packages Indoor (Type 12)

UL 508A Listed; Type 12; File Number E619967
cUL Listed per CSA C22.2 No. 94; Type 12; File Number E61997

NEMA / EEMAC: Type 12
IEC 60529, IP 66

PROTEK Air Conditioner Packages Outdoor (Type 4)

UL 508A Listed; Type 12, 4; File Number E619967
cUL Listed per CSA C22.2 No. 94; Type 12, 4; File Number E61997

NEMA / EEMAC: Type 12, 4
IEC 60529, IP 66

Application

PROTEK® DH Thermal Packages are an excellent, off-the-shelf choice for mounting 19-in. rack network equipment in wet or dirty environments where filtration or air conditioning is required and floor space is at a premium. These complete packages can be mounted to a pole or wall and hinged on the left or right. The mounted cabinet swings open to provide easy equipment service and installation access. Complete Fan and Filter and Air Conditioner Packages are available to match application requirements.

Features

- Solid door provides complete physical and visual protection
- Window door, made with scratch-resistant safety glass, provides equipment monitoring without opening the door to minimize contamination
- Fully welded and ground body and door construction for long-term good appearance and durability
- Foam-in-place seamless gasket around door seals against outdoor air infiltration; is non-absorbing and chemically resistant
- Type 12 cabinets have window doors and a locking wing knob with two keys. They provide security and convenience in indoor applications.
- Type 4 cabinets have solid doors and a padlock-capable, tamper-resistant, quarter-turn latch (tool included). They provide easy operation and locking options in indoor and outdoor applications.

Specifications

- Doors made of 16 gauge steel and body made of 14 gauge steel
- Convenient studs provided on both door and body for bonding and grounding
- Rack angles tapped 10-32 per EIA standards; made of 12 gauge self-grounding plated steel
- Window is clear, .25-in. thick, scratch- and impact-resistant safety glass
- Optional polycarbonate window (not plenum rated) can be field- or factory-installed. Contact Hoffman Customer Service for factory installation.
- Twenty 10-32 screws included
- Right-side-mounted T4 Line Indoor/Outdoor Air Conditioner
- Operates on 110/115 VAC 50/60 Hz line voltage
- Standard NEMA 15 A plug internal to the cabinet (5-15P)
- See table for technical operating information
- Routine maintenance required for optimum performance (see service manual)

Finish

Pretreated steel coated with RAL 7035 light-gray, textured, low-gloss polyester powder paint. Other paint finishes available—contact Hoffman Customer Service for details.

Load Rating

WARNING: The cabinet must be safely and correctly mounted to the wall to support the total weight of the cabinet and its contents. Due to various applications and wall constructions, consultation with a structural engineer and analysis of the mounting wall is advised.

Bulletin: DWDH2

Standard Product Double-Hinged Window-Door Type 12 Air Conditioner Packages

Catalog Number	AxBxC in.	AxBxC mm	Rack Units	Accessory Panels	Standard Panel	Additional Rack Angles (Tapped Holes)	Optional Rack Angles (Square Holes)
PTDHW242429GA	24.00 x 24.00 x 29.00	610 x 610 x 737	12	PTPDH2424A	A24P24	PTRA1924TPL	PTRA1924THL
PTDHW362429GA	36.50 x 24.00 x 29.00	927 x 610 x 737	19	PTPDH3624A	A36P24	PTRA1936TPL	PTRA1936THL
PTDHW482429GA	48.50 x 24.00 x 29.00	1232 x 610 x 737	26	PTPDH4824A	A48P24	PTRA1948TPL	PTRA1948THL

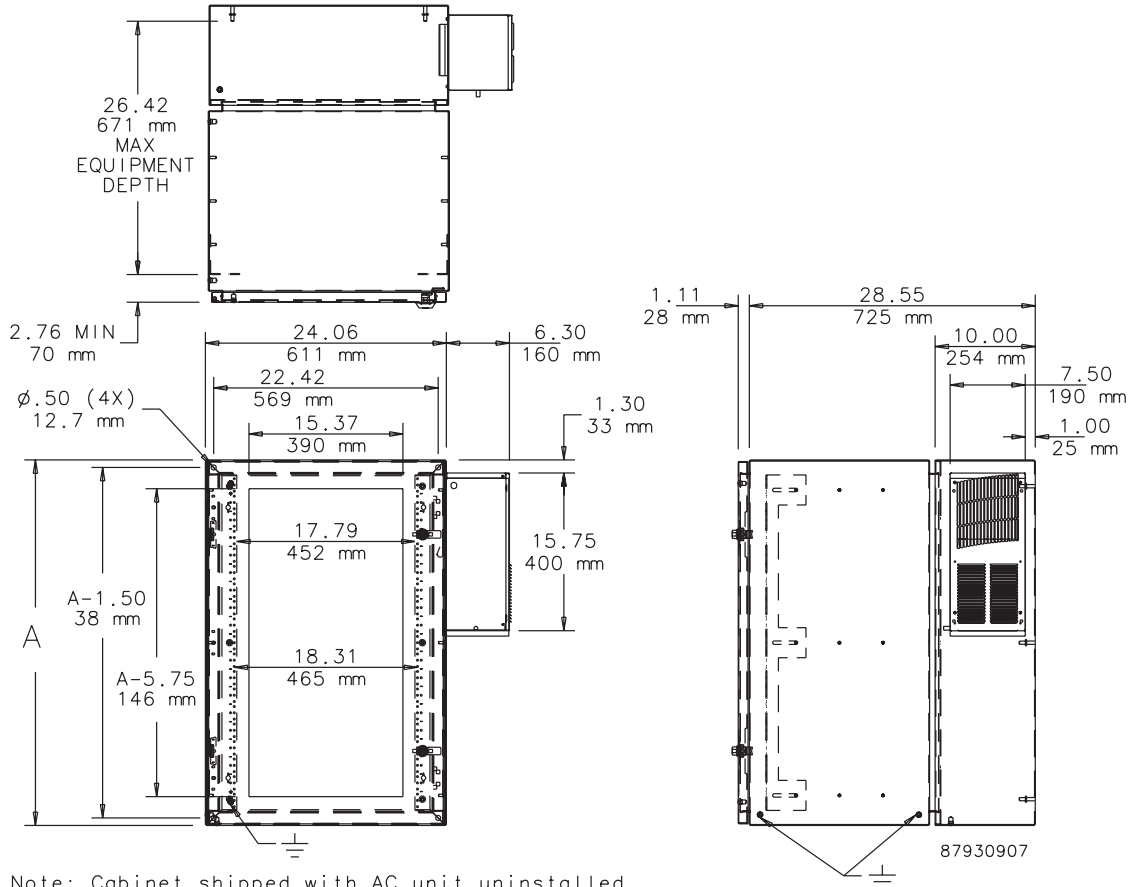
Standard Product Double-Hinged Solid-Door Type 4 Air Conditioner Packages

Catalog Number	AxBxC in.	AxBxC mm	Rack Units	Accessory Panels	Standard Panel	Additional Rack Angles (Tapped Holes)	Optional Rack Angles (Square Holes)
PTDHS242429GA4	24.00 x 24.00 x 29.00	610 x 610 x 737	12	PTPDH2424A	A24P24	PTRA1924TPL	PTRA1924THL
PTDHS362429GA4	36.50 x 24.00 x 29.00	927 x 610 x 737	19	PTPDH3624A	A36P24	PTRA1936TPL	PTRA1936THL
PTDHS482429GA4	48.50 x 24.00 x 29.00	1232 x 610 x 737	26	PTPDH4824A	A48P24	PTRA1948TPL	PTRA1948THL

PROTEK® Wall-Mount and Double-Hinge Cabinets

Load Ratings

Height	Max. Load Rack Angles Mounted to Center Section	Max. Load Accessory Panel Mounted Rear Section to Collar Studs
16 in.	100 lb.	50 lb.
20 in.	100 lb.	80 lb.
24 in.	100 lb.	100 lb.
36 in.	125 lb.	200 lb.
48 in.	175 lb.	300 lb.



Thermal Performance for Air Conditioner DH Packages

PROTEK Air Conditioner calculated thermal performance

- AC Performance: 800 BTU/hour or 235 Watts
- Voltage / Hertz: 115 VAC/60 Hz
- Max. Ambient Temperature: 131 F
- Min. Ambient Temperature: -40 F
- Max. Internal Temperature: 100 F (Allowable)

Thermal Performance PROTEK® Air Conditioner

Ambient Temperature (°F)	Watts (Heat) Dissipated Cabinet Height: 24 in.	Watts (Heat) Dissipated Cabinet Height: 36 in.	Watts (Heat) Dissipated Cabinet Height: 48 in.
130	N/A	N/A	N/A
120	63	27	N/A
110	149	131	105
100	234	234	234
90	320	338	364
80	405	442	493
70	491	546	623
60	576	649	752
50	662	753	881
40	747	857	1011

N/A = Not applicable and not recommended in these applications

1 BTU = 3.413 watts

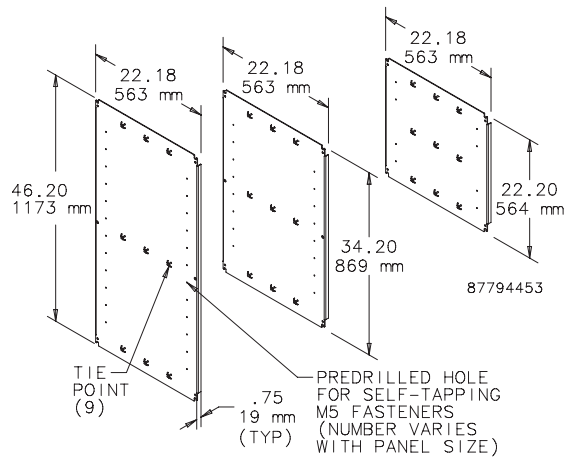
PROTEK® Accessories
PROTEK® Single-Door Type 4 or 12 Wall-Mount Cabinet Accessory Panels

Where equipment mounting space is limited, Accessory Panels increase cabinet capacity by providing a mounting surface for 19-in. equipment and accessories at the back of the cabinet. The panels mount on collar studs provided in the cabinet. They include tie downs for VELCRO® Cable Wraps and mounting holes for rack angle brackets, shelves and other accessories. Panels have white paint finish.

VELCRO is a trademark of Velcro Industries B.V.

Bulletin: DWS12

Catalog Number	AxB in.	AxB mm	Material	Fits Cabinet Size
PTP2424A	22.20 x 22.20	564 x 564	12 gauge steel	24.00 x 24.00
PTP3624A	34.20 x 22.20	869 x 564	12 gauge steel	36.00 x 24.00
PTP4824A	46.20 x 22.20	1173 x 564	12 gauge steel	48.00 x 24.00

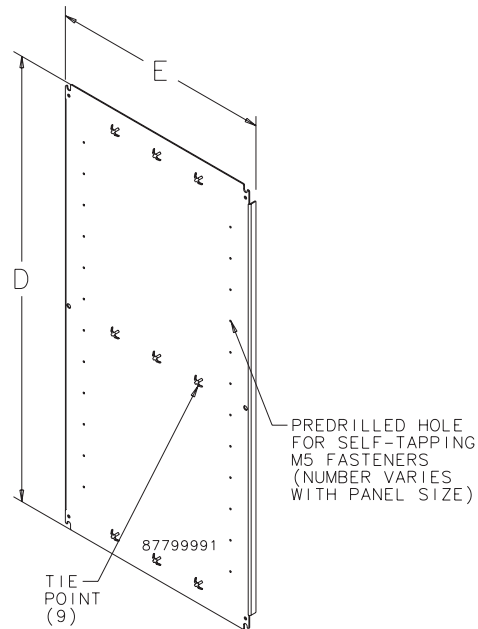

PROTEK® DH Type 1, 4 or 12 Double-Hinged Wall-Mount Cabinet Accessory Panels

Where equipment mounting space is limited, Accessory Panels increase cabinet capacity by providing a mounting surface for 19-in. equipment accessories at the back of the cabinet. The panels mount on collar studs provided in the cabinet. They include tie downs for VELCRO® Cable Wraps and mounting holes for rack angle brackets, shelves, and other accessories. Panels have a white paint finish over 12 gauge steel.

VELCRO is a trademark of VELCRO Industries B.V.

Bulletin: DWS12

Catalog Number	D in./mm	E in./mm	Fits Cabinet Size
PTPDH1624A	21.00 533	13.00 330	16.00 x 24.00
PTPDH2024A	21.00 533	17.00 452	20.00 x 24.00
PTPDH2424A	21.00 533	21.00 533	24.00 x 24.00
PTPDH3624A	33.00 838	21.00 533	36.00 x 24.00
PTPDH4824A	45.00 1143	21.00 533	48.00 x 24.00



PROTEK® Accessories
PROTEK® Rack Angles

Square- and tapped-hole rack angles fit into PROTEK® single- and double-hinged cabinets.

Bulletin: DWS12

Catalog Number	Hole Type	Fits Cabinet Height	Rack Units
PTRA1916TPL	Tapped	16.00	7
PTRA1916THL	Square	16.00	7
PTRA1920TPL	Tapped	20.00	10
PTRA1920THL	Square	20.00	10
PTRA1924TPL	Tapped	24.00	12
PTRA1924THL	Square	24.00	12
PTRA1936TPL	Tapped	36.00	19
PTRA1936THL	Square	36.00	19
PTRA1948TPL	Tapped	48.00	26
PTRA1948THL	Square	48.00	26

PROTEK® Polycarbonate Window Inserts

Polycarbonate window inserts provide additional impact protection. They are field-installed in place of the safety glass provided with the enclosure. No special tools are required.

Bulletin: DWS12

Catalog Number	AxB in./mm	Fits Cabinet Size	Description
P.TWR1624POLY	16.00 x 24.00 406 x 610	16.00 x 20.00	Clear, 0.23-in. thick
P.TWR2024POLY	20.00 x 24.00 508 x 610	20.00 x 24.00	Clear, 0.23-in. thick
P.TWR2424POLY	24.00 x 24.00 610 x 610	24.00 x 24.00	Clear, 0.23-in. thick
P.TWR3624POLY	36.00 x 24.00 914 x 610	36.00 x 24.00	Clear, 0.23-in. thick
P.TWR4824POLY	48.00 x 24.00 1219 x 610	48.00 x 24.00	Clear, 0.23-in. thick

L-BOX® Wall-Mount Cabinet and Accessories

L-BOX®, Type 1



Industry Standards

UL 1863 Listed; File No. E230874
 UL 508A Listed; Type 1; File Number E61997
 cUL Listed per CSA C22.2 No. 182.4; File No. E230874
 Ventilation complies with UL 60950

Designed in accordance with BICSI TDMM Tenth edition, Chapter 7, Telecommunication Enclosures (TE)
 EIA 310-D
 IEC 60529, IP30

Application

The low-profile, vertically-oriented L-BOX® wall-mount cabinet is extremely versatile and can be used in public settings to mount, store and protect network equipment, patch panels and connections. The hinged, L-shaped door provides full access on two sides to installed equipment while fixed rack angles accommodate varying equipment sizes.

Features

- Spring-loaded, self-retained hinge pins allow door removal
- 120-degree door opening
- Quarter-turn latches with key lock (Code 333)
- One set of fixed rack angles is included on 24- and 36-in. (610- and 914-mm) tall models and two on 48-in. (1219-mm) tall models
- Rack angles on 36-in. (914-mm) models can be positioned either at the top or the bottom of the cabinet

- 36- and 48-in. (914- and 1219-mm) tall models have space for patch panel or shelf brackets
- Knockouts for 4-in. (102-mm) fan on top and bottom of cabinet
- Wiring knockouts (7/8 in., 1-3/8 in., and 3 in.) on top and bottom of cabinet. Two 3-in. cable entry knockouts on back.
- Multiple cable tie-down points on back of cabinet
- Keyhole mounting slots spaced 16.00 in. (406 mm) on center for easy cabinet mounting
- Includes package of twenty 10-32 mounting screws

Specifications

- Manufactured from 14 gauge mild steel
- Self-grounding mounting angles made of 12 gauge plated steel
- Bonding provision on door
- Ground stud on body
- EIA Universal 5/8 - 5/8 - 1/2 in. rack angle mounting hole pattern matches industry standards. Holes are tapped 10-32.

Finish

Pretreated steel coated with RAL 7035 light-gray textured, low-gloss polyester powder paint. Other finishes available—contact Hoffman Customer Service.

Load Rating

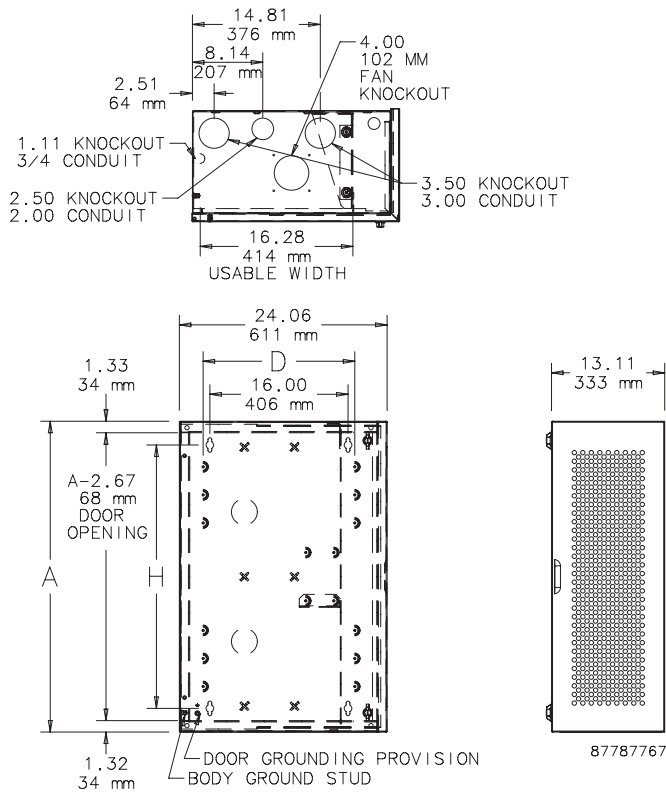
75 lb. (34.0 kg)

Bulletin: DWS1

Standard Product

Catalog Number	AxBxC in.	AxBxC mm	H (in.)	H (mm)	Rack Units
DBL242412G	24.00 x 24.00 x 12.34	610 x 610 x 313	22.00	559	6
DBL362412G	36.00 x 24.00 x 12.34	915 x 610 x 313	34.00	864	6
DBL482412G	48.00 x 24.00 x 12.34	1220 x 610 x 313	46.00	1168	2 sets of 6

L-BOX® Wall-Mount Cabinet and Accessories

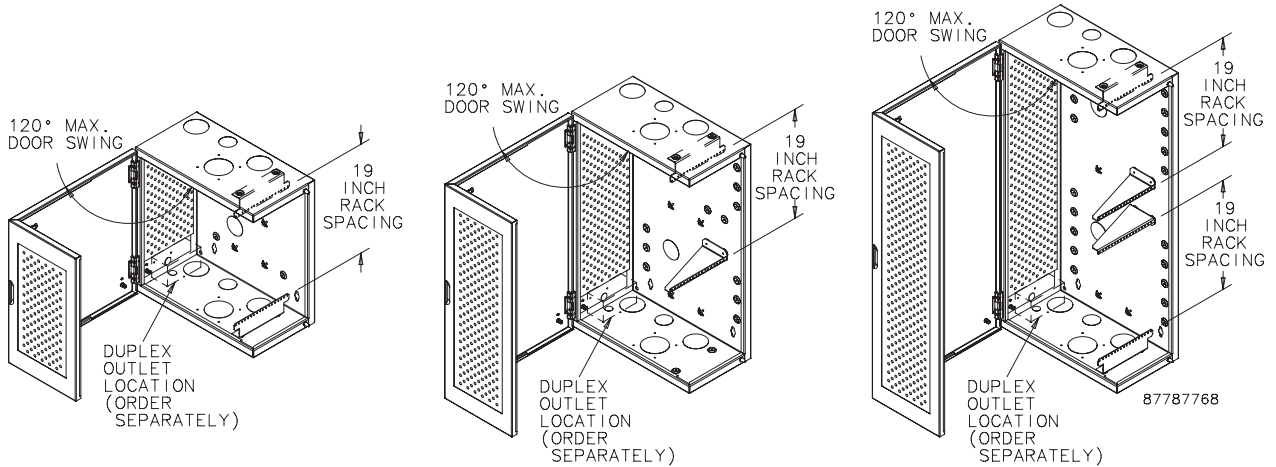


L-BOX RACK ANGLE LOCATIONS

DBL242412G

DBL362412G

DBL482412G



L-BOX® Wall-Mount Cabinet and Accessories

Bonding and Grounding Kit



Provides the cable and mounting hardware required to ground equipment to the door and the body of the cabinet.

Bulletin: DWS1

Catalog Number	Description
DBGRDK	Bonding and Grounding Kit

Duplex Outlet Kit



15 A duplex outlet is factory-mounted in three-sided, plated steel enclosure. Outlet enclosure mounts on hinge side of door in lower corner of cabinet. Mounting hardware provided.

Bulletin: DWS1

Catalog Number	Description	Current Rating
DBDXK	Duplex Outlet Kit	15 A

Fan Filter and Finger Guard Kit



Low-density filter kit for 4-in. (102-mm) and 6-in. (152-mm) fans. Can also be used as vent. Filter is removable and can be cleaned and reused. Mounting hardware included.

Bulletin: DTHRM, DWS1

Catalog Number	Description	Fits
AFLTR4LD	Fan Filter and Finger Guard Kit	4-in. fans
AFLTR6LD	Fan Filter and Finger Guard Kit	6-in. fans

Patch Panel Rack Angles



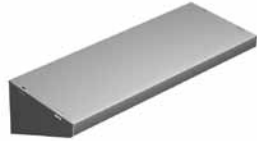
Swiveling rack angles drop 45 degrees to provide convenient access to equipment mounted on patch panels. Provide additional patch panel location in 36- and 48-in. (914- and 1219-mm) high cabinets. Made of self-grounding, plated 12 gauge steel. Mounting hardware included. Set of two.

Bulletin: DWS1

Catalog Number	Description	Rack Units
DBPRA4U	Patch Panel Rack Angles	4

L-BOX® Wall-Mount Cabinet and Accessories

Shelves



Shelves provide additional storage in 36- and 48-in. (914- and 1219-mm) tall cabinets. Made of self-grounding plated 16 gauge steel. 75 lb. (34.0 kg) load rating. RAL 7035 polyester powder coat finish.

Bulletin: DWS1

Catalog Number	Description	Length in./mm	Depth in./mm	Fits Cabinet Depth
DBSHELF8	Steel Shelf	19.05	7.25	8 in.
		484	184	
DBSHELF12	Steel Shelf	19.05	11.08	8 or 12 in.
		484	281	

Strut Wall-Mounting Kit



Provides secure mounting for cabinet. RAL 7035 polyester powder coat finish.

Bulletin: DWS1

Catalog Number	Description	Length in./mm
DB24WMTK	Strut Wall-Mounting Kit	24.00 610

D-BOX™ Wall-Mount Enclosure and Accessories

D-BOX™, Type 1



Industry Standards

UL 1863 Listed; File No. E230874
 UL 508A Listed; Type 1; File Number E61997
 cUL Listed per CSA C22.2 No. 182.4; File No. E230874
 Ventilation complies with UL 60950

Telcordia NEBS™ Requirements: Physical Protection, GR-63-CORE, Zone 4. Tested with 100 lb. (45.4 kg) of equipment installed. Designed in accordance with BICSI TDMM Tenth edition, Chapter 7, Telecommunication Enclosures (TE)
 EIA 310-D
 IEC 60529, IP40

Application

Ideal for retail applications where it is necessary to house 19-in. network equipment in a public location, the horizontally-oriented D-BOX™ is a low-profile cabinet with a hinged door for convenient front access and a combination of fixed and rotating rack angles to accommodate varying equipment sizes.

Features

- Spring-loaded, self-retained hinge pins allow door removal

- Reversible door fits flush to body with no exposed corners
- Knockouts for 4-in. fan on top and bottom of enclosure
- Wiring knockouts (7/8 in., 1-3/8 in., and 3 in.) on top and bottom of enclosure. Two 3-in. cable entry knockouts on back.
- 120-degree door opening
- Multiple cable tie-down points on back of enclosure
- Quarter-turn latch with key lock
- Keyhole mounting slots spaced 16.00 in. (406 mm) on center for easy enclosure mounting
- Bosses provided for mounting accessories such as cable spools
- Self-grounding mounting angles made of 12 gauge galvanized steel
- Patch panel mounting angles rotate down for access
- Flange around door opening protects interior
- Bonding provision on door
- Ground stud on body
- EIA Universal 5/8 - 5/8 - 1/2 in. vertical mounting hole pattern matches industry standards. Holes are tapped 10-32.
- Includes package of twenty 10-32 mounting screws

Specifications

- Door manufactured from 14 gauge mild steel
- Body manufactured from 16 gauge mild steel

Finish

Pretreated steel coated with RAL 7035 light-gray textured, low-gloss polyester powder paint. Other finishes available—contact Hoffman Customer Service.

Load Rating

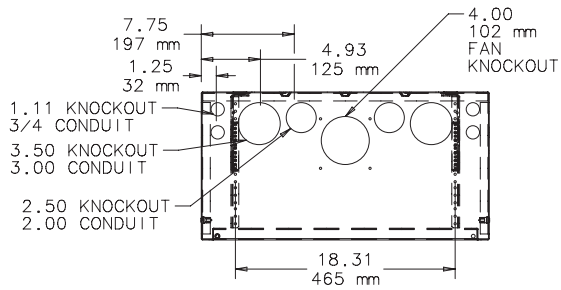
100 lb. (45.4 kg)

Bulletin: DWS1

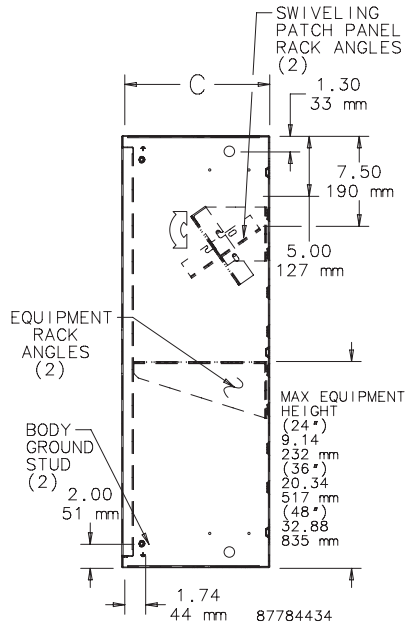
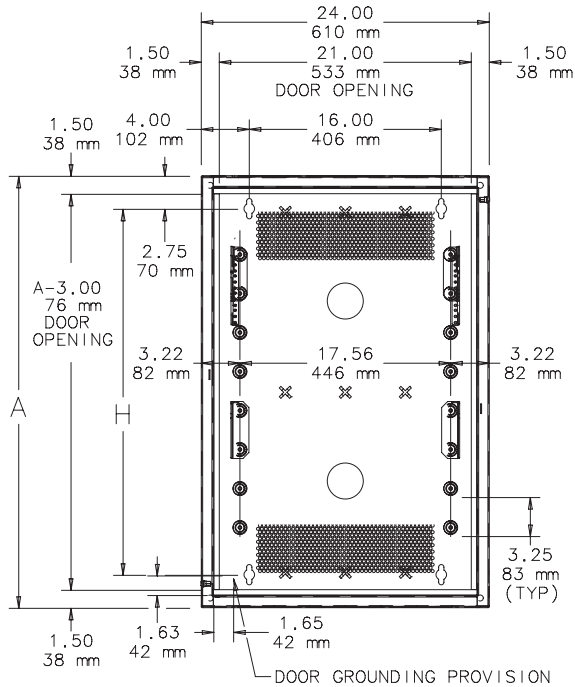
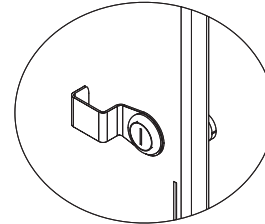
D-BOX™ Wall-Mount Enclosure and Accessories

Standard Product

Catalog Number	AxBxC in.	AxBxC mm	H (in.)	H (mm)	Rack Units
DBS24248G	24.00 x 24.00 x 8.34	610 x 610 x 212	22.00	559	4
DBS36248G	36.00 x 24.00 x 8.34	915 x 610 x 212	34.00	864	4
DBS48248G	48.00 x 24.00 x 8.34	1220 x 610 x 212	46.00	1168	4
DBS242412G	24.00 x 24.00 x 12.34	610 x 610 x 313	22.00	559	6
DBS362412G	36.00 x 24.00 x 12.34	915 x 610 x 313	34.00	864	6
DBS482412G	48.00 x 24.00 x 12.34	1220 x 610 x 313	46.00	1168	6



Field Installable Handle (Included)



D-BOX™ Wall-Mount Enclosure and Accessories

Bonding and Grounding Kit



Provides the cable and mounting hardware required to ground equipment to the door and the body of the cabinet.

Bulletin: DWS1

Catalog Number	Description
DBGRDK	Bonding and Grounding Kit

Duplex Outlet Kit



15 A duplex outlet is factory-mounted in three-sided, plated steel enclosure. Outlet enclosure mounts on hinge side of door in lower corner of cabinet. Mounting hardware provided.

Bulletin: DWS1

Catalog Number	Description	Current Rating
DBDXK	Duplex Outlet Kit	15 A

Equipment Rack Angles



Fixed rack angles can be added to 36-in. and 48-in. tall cabinets for extra 19-in rack equipment mounting. Made of steel with clear zinc plating. EIA spaced holes are tapped 10-32. Mounts to raised pads on cabinet inside back with provided hardware.

Bulletin: DWS1

Catalog Number	Description	Rack Units
DBERA4U	Equipment Rack Angles	4
DBERA6U	Equipment Rack Angles	6

Fan Filter and Finger Guard Kit



Low-density filter kit for 4-in. (102-mm) and 6-in. (152-mm) fans. Can also be used as vent. Filter is removable and can be cleaned and reused. Mounting hardware included.

Bulletin: DTHRM, DWS1

Catalog Number	Description	Fits
AFLTR4LD	Fan Filter and Finger Guard Kit	4-in. fans
AFLTR6LD	Fan Filter and Finger Guard Kit	6-in. fans

Padlock Kit



Kit includes field installable hasp and staple. Fits padlocks with maximum 5/16 in. (8mm) shackle diameter. No drilling or layout required. Includes mounting hardware.

Bulletin: DWS1

Catalog Number	Description
DBPDLK	Padlocking Kit

D-BOX™ Wall-Mount Enclosure and Accessories

Patch Panel Rack Angles

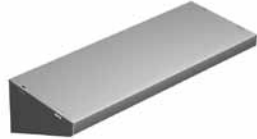


Swiveling rack angles drop 45 degrees to provide convenient access to equipment mounted on patch panels. Provide additional patch panel location in 36- and 48-in. (914- and 1219-mm) high cabinets. Made of self-grounding, plated 12 gauge steel. Mounting hardware included. Set of two.

Bulletin: DWS1

Catalog Number	Description	Rack Units
DBPRA4U	Patch Panel Rack Angles	4

Shelves



Shelves provide additional storage in 36- and 48-in. (914- and 1219-mm) tall cabinets. Made of self-grounding plated 16 gauge steel. 75 lb. (34.0 kg) load rating. RAL 7035 polyester powder coat finish.

Bulletin: DWS1

Catalog Number	Description	Length in./mm	Depth in./mm	Fits Cabinet Depth
DBSHELF8	Steel Shelf	19.05 484	7.25 184	8 in.
DBSHELF12	Steel Shelf	19.05 484	11.08 281	8 or 12 in.

Strut Wall-Mounting Kit



Provides secure mounting for cabinet. RAL 7035 polyester powder coat finish.

Bulletin: DWS1

Catalog Number	Description	Length in./mm
DB24WMTK	Strut Wall-Mounting Kit	24.00 610

POLYPRO® WiFi, Type 4X

POLYPRO® WiFi, Type 4X

Industry Standards

UL 508A Listed; Type 4, 4X, 12, 13; File No. E61997
 cUL Listed per CSA C22.2 No 94; Type 4, 4X, 12, 13; File No. E61997
 Enclosure flammability evaluated per UL 508A
 Window flammability evaluated per UL 508A

NEMA/EEMAC Type 4, 4X, 12, 13
 CSA File No. 42186; Type 4, 4X, 12, 13 (solid covers only)
 IEC 60529, IP66

Application

POLYPRO® WiFi enclosures provide protection for wireless equipment in both indoor and outdoor locations. The polyester construction and wood panel allow WiFi and WLAN signals to pass through the enclosure unimpeded. They perform exceptionally well in applications where harsh chemicals, weather extremes, a corrosive environment or flames demand toughness from a lightweight enclosure. Providing excellent ultraviolet protection and a tight environmental seal, these versatile, feature-rich enclosures are also recyclable.

Features

- Non-glass-filled polyester material offers superior UV resistance; eliminates fiberbloom associated with fiberglass
- Provides excellent chemical resistance to a broad range of solvents, alkalis and acids
- Resists cracking and provides excellent impact resistance
- Lighter-weight than fiberglass
- Recyclable
- Easy, dustless in-field modifications using standard tools
- Overlapping tongue-and-groove raised cover and gasket provide secure Type 4X seal
- Removable snap-hinge cover allows for easy access to cover and body for modifications
- Molded layout grid on inside of body and solid covers assists with component mounting
- Molded-in embosses for rear panel mounting
- Internal rail system and adjustable panel blocks allow for panel height adjustment and installation of multiple panels

Specifications

- Scratch-resistant polycarbonate windows
- Standard models include body and cover, two mounting feet, two latch assemblies with optional cover screws and hardware, and 3/4-in. plywood panel

Finish

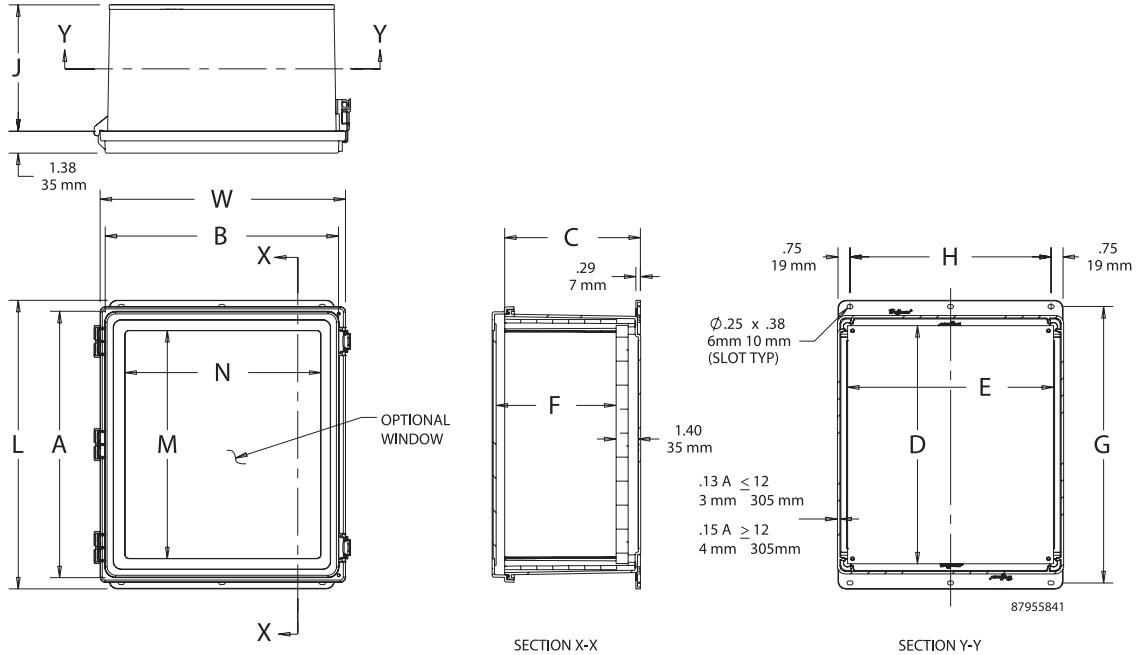
Polyester material is RAL 7035 light-gray textured finish inside and out

Bulletin: DWS12

POLYPRO® WiFi, Type 4X

Standard Product

Catalog Number	Ax B x C in./mm	Door Type	Panel Size		F in./mm	G in./mm	H in./mm	J in./mm	L in./mm	M in./mm	N in./mm	W in./mm
			D x E in./mm									
D664WF	6.12 x 6.12 x 4.38	Solid	4.88 x 2.88		4.32	7.38	2.56	3.91	8.15	—	—	5.23
	155 x 155 x 111		124 x 73	110	187	65	99	207	—	—	133	
D664WFW	6.12 x 6.12 x 4.38	Window	4.88 x 2.88		4.32	7.38	2.56	3.91	8.15	4.25	2.25	5.23
	155 x 155 x 111		124 x 73	110	187	65	99	207	108	57	133	
D16148WF	16.12 x 14.01 x 8.35	Solid	14.75 x 12.88		8.27	17.27	12.56	7.91	18.04	—	—	15.32
	409 x 356 x 212		375 x 327	210	439	319	201	458	—	—	389	
D16148WFW	16.12 x 14.01 x 8.35	Window	14.75 x 12.88		8.27	17.27	12.56	7.91	18.04	14.25	12.25	15.32
	409 x 356 x 212		375 x 327	210	439	319	201	458	362	311	389	



POLYPRO® WiFi, Type 4X

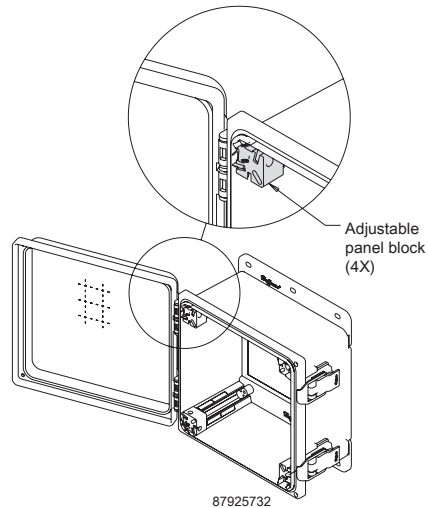
Adjustable Panel Block Kit

Panel blocks slide inside POLYPRO internal rail system for panel height adjustment within top 5 in. of enclosure. Allows for installation of multiple panels.

Bulletin: PCRY

Catalog Number	Qty.
APNLBLK	4

Includes Allen wrench

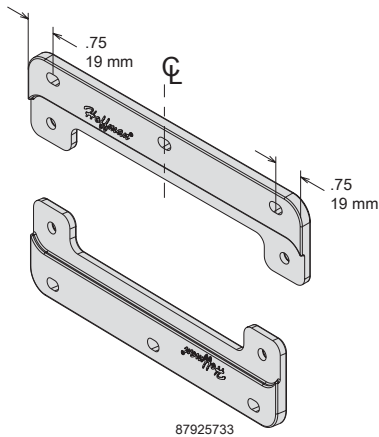


Polyester Mounting Bracket Kits

Replacement POLYPRO mounting brackets are sold in sets of two and include hardware for mounting to enclosure. Included with standard POLYPRO models.

Bulletin: PCRY

Catalog Number	Description (in.)	Qty.
APOLYFT4	4.00	2
APOLYFT6	6.00	2
APOLYFT8	8.00	2
APOLYFT10	10.00	2
APOLYFT12	12.00	2
APOLYFT14	14.00	2
APOLYFT16	16.00	2

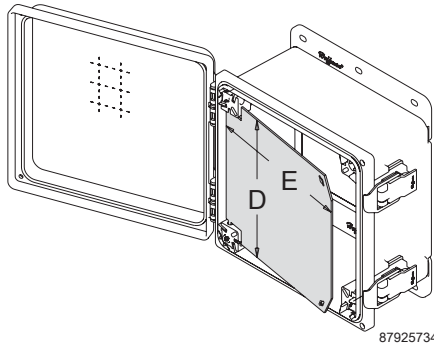


POLYPRO® WiFi, Type 4X

Aluminum Swing-Out Panels

Includes four POLYPRO Adjustable Panel Blocks. No enclosure modification is required for installation.

Bulletin: PCRY



Catalog Number	D x E (in.)	D x E (mm)
A64PSWPNL	5.00 x 3.62	127 x 92
A66PSWPNL	5.00 x 5.62	127 x 143
A86PSWPNL	7.00 x 5.62	178 x 143
A88PSWPNL	7.00 x 7.62	178 x 194
A108PSWPNL	9.00 x 7.62	229 x 194
A1010PSWPNL	9.00 x 9.62	229 x 244
A1210PSWPNL	11.00 x 9.62	279 x 244
A1412PSWPNL	13.00 x 11.62	330 x 295
A1614PSWPNL	15.00 x 13.62	381 x 346
A1816PSWPNL	17.00 x 15.62	432 x 397

Stainless Steel Latches (Padlockable)



Stainless Steel Latches can be retrofitted on all POLYPRO models with no modification or drilling required. Hinge/latch constructed of corrosion-resistant polyester with a Type 316L stainless steel bail. Included with standard POLYPRO models.

Bulletin: PCRY

Catalog Number	Qty.
AQRLS56	2

Hinge Retainers



Hinge Retainers can be field-installed without modification to POLYPRO hinges for applications where easy cover removal is not desired. Two retainers per enclosure is recommended. Kit includes ten hinge retainers.

Bulletin: PCRY

Catalog Number	Description	Pkg. Qty.
AHGCLP	POLYPRO Hinge Retainers	10

Fiberglass Hinge-Cover Type 4X WiFi Cabinet and Accessories

Hinge-Cover WiFi, Type 4X



Industry Standards

UL 508A Listed; Type 4, 4X, 12, 13; File No. E61997
 cUL Listed per CSA C22.2 No 94; Type 4, 4X, 12, 13; File No. E61997
 Enclosure flammability rating per UL 508

NEMA/EEMAC Type 4, 4X, 12, and 13
 Window flammability rating per UL 508
 CSA File No. LR42186:Type 4, 4X, 12, and 13
 IEC 60529, IP66
 Cabinets with solid doors are plenum rated.

Application

The fiberglass WiFi Cabinet is a secure, hinged enclosure that does not impede WiFi or WLAN signals. It is ideal for housing wireless equipment in locations such as tunnels, floor vaults, marinas, outside walls or rooftops.

Features

- Fiberglass is easily punched, drilled, filed or sawed
- Seamless foam-in-place gasket assures watertight and dusttight seal
- Molded-in-place threaded brass inserts and plated steel screws are provided for mounting optional panels and terminal block kits
- Removable hinged cover attached to body with Type 316 stainless steel hinge pin
- Screw cover enclosures are secured with two captivated Type 316 stainless steel slotted cross-point cover screws
- Available quick-release latches are corrosion-resistant polyester located in corners to provide unobstructed access to enclosure
- Knockout padlock provisions included in each latch

Specifications

- Enclosure and door made of molded fiberglass polyester that resists chemicals and temperature change
- Scratch-resistant GE Lexan Margard® windows are permanently bonded in place
- Polyester mounting brackets and stainless steel attachment screws are provided with each enclosure
- Hinge pin and bail are corrosion-resistant Type 316 stainless steel
- Includes a 3/4-in. plywood panel for mounting equipment

Finish

Fiberglass material is light gray inside and out.

Bulletin: DWS12

Standard Product **Solid Door**

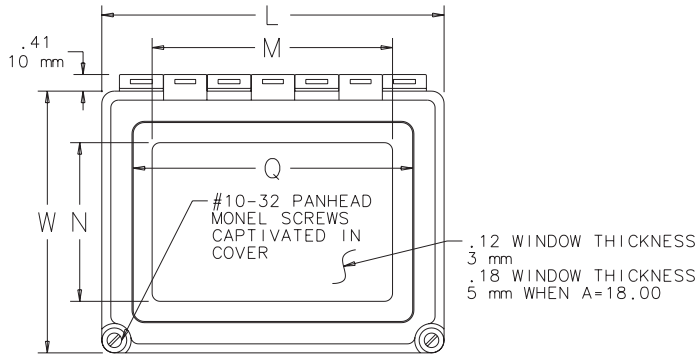
Catalog Number	AxBxC in./mm	Panel	Panel	Mounting	Overall Size								
			DXE in./mm	G x H in./mm	L x W in./mm	J in./mm	K in./mm	O in./mm	P in./mm	Q in./mm	R in./mm	T in./mm	U in./mm
D664CHSCFGP	6.00 x 6.00 x 4.00	A6P6WD	4.88 x 4.88	6.94 x 4.00	6.50 x 6.50	3.25	1.00	4.25	4.25	5.64	5.12	.12	5.64
	152 x 152 x 102		124 x 124	176 x 102	165 x 165	83	25	108	108	143	130	3	143
D16148CHSCFGP	16.00 x 14.00 x 8.00	A16P14WD	14.75 x 12.88	16.94 x 12.00	16.55 x 14.55	6.23	2.08	12.25	14.25	15.56	15.12	.15	13.56
	407 x 356 x 203		375 x 327	430 x 305	420 x 370	158	53	311	362	395	384	4	344
D181610CHSCFGP	18.00 x 16.00 x 10.00	A18P16WD	16.75 x 14.88	18.94 x 14.00	18.58 x 16.58	7.66	2.66	14.25	16.25	17.53	17.12	.16	15.53
	457 x 407 x 254		425 x 378	481 x 356	472 x 421	195	68	362	413	445	435	4	394

Wood panels included with enclosure. Optional steel panels must be ordered separately.

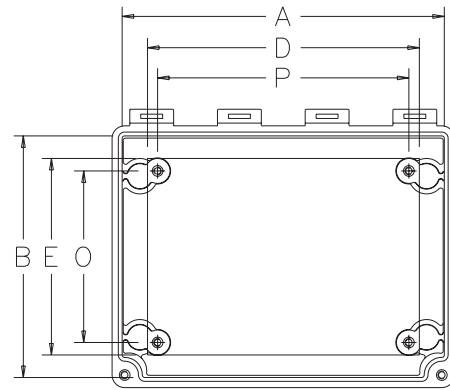
Standard Product **Window Door**

Catalog Number	AxBxC in./mm	Panel	Panel	Mounting	Overall Size								
			DXE in./mm	G x H in./mm	L x W in./mm	J in./mm	K in./mm	O in./mm	P in./mm	Q in./mm	R in./mm	T in./mm	U in./mm
D664CHSCFGWP	6.00 x 6.00 x 4.00	A6P6WD	4.88 x 4.88	6.94 x 4.00	6.50 x 6.50	3.25	1.00	4.25	4.25	5.64	5.12	.12	5.64
	152 x 152 x 102		124 x 124	176 x 102	165 x 165	83	25	108	108	143	130	3	143
D16148CHSCFGWP	16.00 x 14.00 x 8.00	A16P14WD	14.75 x 12.88	16.94 x 12.00	16.55 x 14.55	6.23	2.08	12.25	14.25	15.56	15.12	.15	13.56
	407 x 356 x 203		375 x 327	430 x 305	420 x 370	158	53	311	362	395	384	4	344
D181610CHSCFGWP	18.00 x 16.00 x 10.00	A18P16WD	16.75 x 14.88	18.94 x 14.00	18.58 x 16.58	7.66	2.66	14.25	16.25	17.53	17.12	.16	15.53
	457 x 407 x 254		425 x 378	481 x 356	472 x 421	195	68	362	413	445	435	4	394

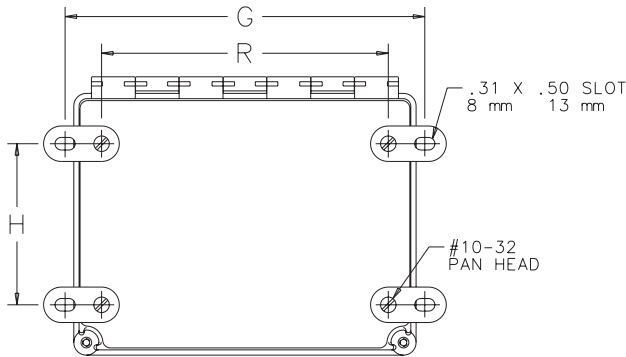
Fiberglass Hinge-Cover Type 4X WiFi Cabinet and Accessories



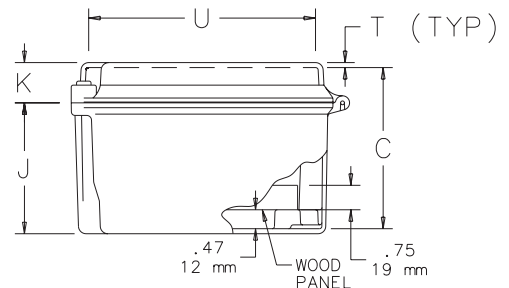
TOP VIEW



TOP VIEW WITH COVER REMOVED



BOTTOM VIEW



END VIEW

87792464

Quick-Release Latch Kit



Two fiberglass-reinforced gray polyester latches with 316L stainless steel bail and screw-hole plugs are included in each package. Supplied with Continuous Hinge, Type 4X enclosures and available for Fiberglass Hinged Cover WiFi Cabinet, Type 4X. Kit converts screw-cover enclosures to quick-release without modification. No tools needed to install. Padlocking provision is included.

Bulletin: A48Y

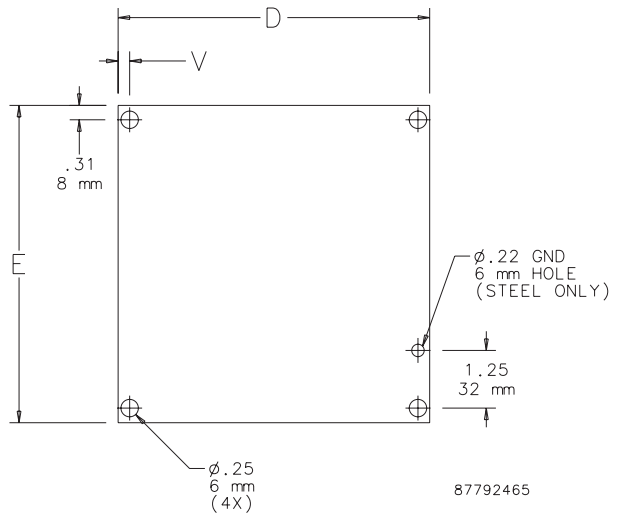
Catalog Number	Description	Kit Qty.
AL48	Quick-Release Latch Kit	2

Fiberglass Hinge-Cover Type 4X WiFi Cabinet and Accessories
Panels for WiFi Cabinets and Small Wall-Mount Enclosures


Panels are available in both steel and wood. Steel panels are 14 gauge steel with a white polyester powder paint finish. Wood panels are 3/4-in. plywood and are unfinished. Wood panels are supplied with Fiberglass Hinged-Cover and POLYPRO® Type 4X WiFi Cabinets.

Bulletin: DWS12, PNLJ, PNLWM

Catalog Number	Material	Panel Size D x E (in.)	Panel Size D x E (mm)	V (in.)	V (mm)
A6P6	Steel	4.88 x 4.88	124 x 124	0.31	8
A6P6WD	Wood	4.88 x 4.88	124 x 124	0.31	8
A16P14	Steel	14.75 x 12.88	375 x 327	0.25	6
A16P14WD	Wood	14.75 x 12.88	375 x 327	0.25	6
A18P16	Steel	16.75 x 14.88	425 x 378	0.25	6
A18P16WD	Wood	16.75 x 14.88	425 x 378	0.25	6



ULTRX® Fiberglass Type 4X WiFi Cabinet and Accessories

ULTRX® WiFi, Type 4X



Industry Standards

UL 508A Listed; Type 4, 4X, 12, 13; File No. E61997
 cUL Listed per CSA C22.2 No 94; Type 4, 4X, 12, 13; File No. E61997
 Enclosure flammability rating per UL 508
 Window flammability rating per UL 508

NEMA/EEMAC Type 4, 4X, 12, 13
 CSA File No. LR42186: Type 4,4X, 12, 13
 IEC 60529, IP66
 Cabinets with solid doors are plenum rated.

Application

Ideal for locations such as tunnels, floor vaults, marinas, outside walls or rooftops, the lightweight ULTRX® fiberglass WiFi cabinet does not impede WiFi or WLAN signals and has optional rack angles that can be added to support 19-in. rack-mount equipment.

Features

- Fiberglass is easily punched, drilled, filed or sawed
- Seamless foam-in-place gasket assures watertight and dusttight seal
- Enclosure may be rotated 180 degrees for left and right hinging
- Molded-in drip shields are standard with each enclosure
- Door opens 180 degrees
- Replaceable breakaway hinges
- Keylocking handle standard
- Molded-in DIN bosses
- Molded bosses on door provide additional mounting provisions
- Integral mounting rails provide infinite panel adjustment front to back
- Optional data pocket is high-impact thermoplastic

Specifications

- Enclosure and door made of molded fiberglass polyester that resists chemicals and temperature change
- Impact-resistant polycarbonate window is permanently bonded in place
- Fiberglass mounting brackets and stainless steel attachment screws are provided with each enclosure
- Includes a 3/4-in. plywood panel for mounting equipment

Finish

Exterior surface painted light-gray acrylic enamel for enhanced UV protection.

Bulletin: DWS12

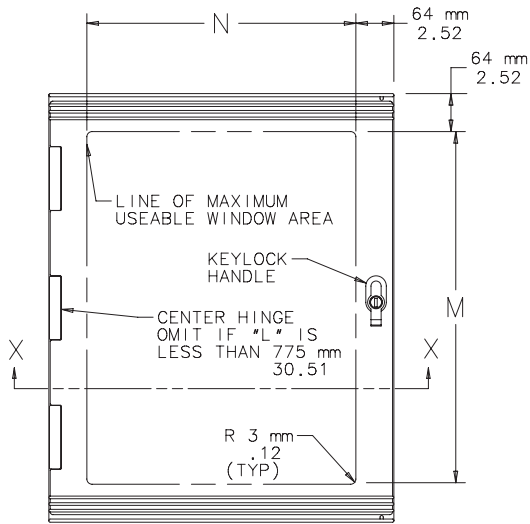
Standard Product

Catalog Number	Ax B x C mm/in.	Door Type	Internal Dimensions A x B x C mm/in.	Panel	Panel Size D x E mm/in.	Mounting G x H mm/in.	Window Size								
							M x N mm/in.	F mm/in.	J mm/in.	K mm/in.	P mm/in.	Q mm/in.	R mm/in.	S mm/in.	T mm/in.
DU606030P	608 x 595 x 321	Solid	608 x 595 x 321	A24P24WD	533 x 533	555 x 568	498 x 486	287	500	21	62	68	56	489	489
	23.94 x 23.44 x 12.64		23.94 x 23.44 x 12.64		21.00 x 21.00	21.86 x 22.36	19.62 x 19.12	11.31	19.68	0.81	2.43	2.68	2.21	19.25	19.25
DU606030WP	608 x 595 x 321	Window	608 x 595 x 321	A24P24WD	533 x 533	555 x 568	498 x 486	287	500	21	62	68	56	489	489
	23.94 x 23.44 x 12.64		23.94 x 23.44 x 12.64		21.00 x 21.00	21.86 x 22.36	19.62 x 19.12	11.31	19.68	0.81	2.43	2.68	2.21	19.25	19.25

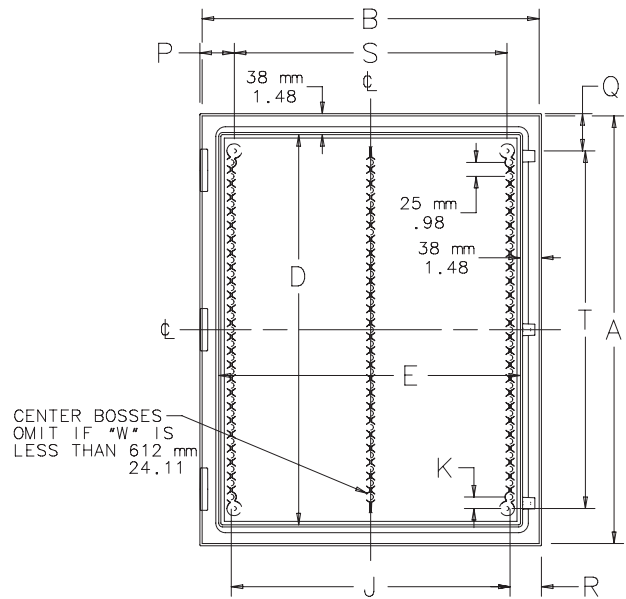
Wood panel included with enclosure. Optional steel panels must be ordered separately.

Window size applies to window door cabinets only.

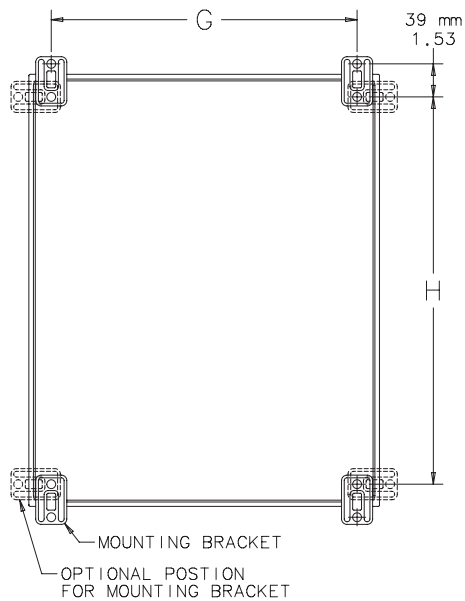
ULTRX® Fiberglass Type 4X WiFi Cabinet and Accessories



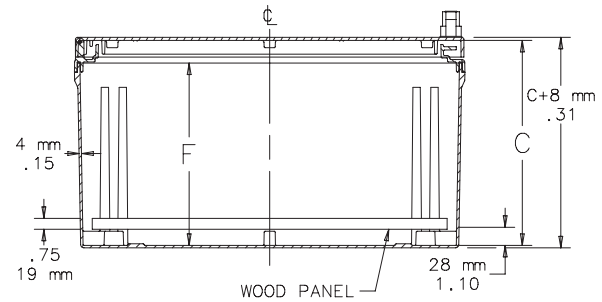
FRONT VIEW



FRONT VIEW WITH DOOR REMOVED



BACK VIEW



SECTION X-X

87792468

ULTRX® Fiberglass Type 4X WiFi Cabinet and Accessories

ULTRX® Panel

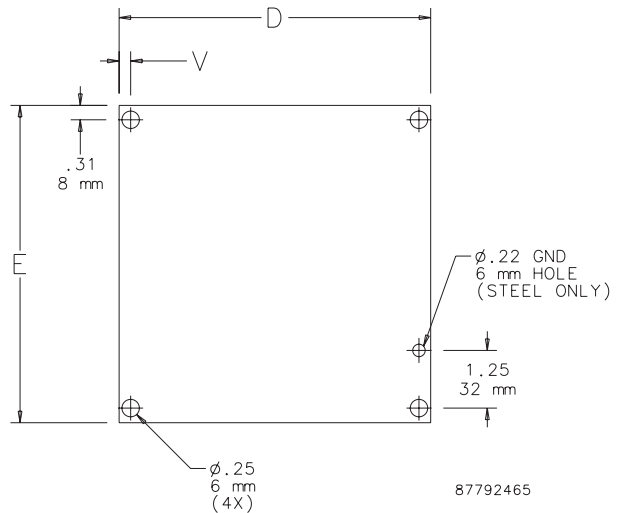


Panels are available in both steel and wood. Steel panels are 14 gauge steel and have a white finish. Panels have two .75-in. (19-mm) high edge flanges. They require the Panel Bracket Kit, catalog number UUPB, to mount in the enclosure. Wood panels are 3/4-in. plywood and are unfinished. Wood panels are supplied with the enclosures.

Bulletin: DWS12, PNLWM

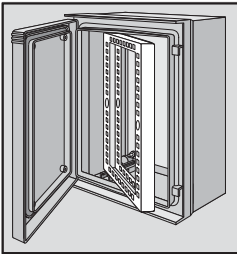
Catalog Number	Material	D mm/in.	E mm/in.	V mm/in.
A24P24	Steel	533	533	6
		21.00	21.00	.25
A24P24WD	Wood	533	533	6
		21.00	21.00	.25

Requires UUPB Panel Bracket Kit to mount steel panel in cabinet.



87792465

Swing Frame



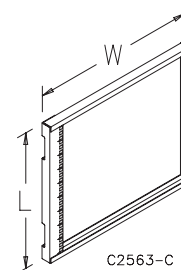
Swing Frame provides 19-in. rack-mounting capabilities with U-Style (Type RA) mounting hole pattern. Quarter-turn latch has 100-degree swing. Adjustable mounting provision. 14 gauge plated steel. Includes mounting hardware. Swing frame maintains enclosure rating if properly installed in a Hoffman enclosure.

Swing Frame will not slide all the way forward in 400-mm-deep enclosures. Consult factory for more information.

Bulletin: UX1Y

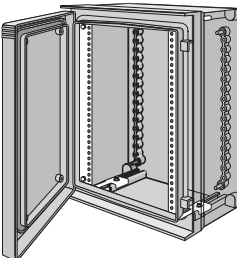
Catalog Number	Fits A x B mm/in.	L mm/in.	W mm/in.	Rack Units
UU6060SF	610 x 610	540	535	11
	24.00 x 24.00	21.25	21.08	
UU7560SF	762 x 610	687	535	14
	30.00 x 24.00	27.05	21.08	

Use UU6060SF with DATACOM ULTRX Fiberglass Type 4X WiFi Cabinet.



C2563-C

Rack Angles (Type RA)

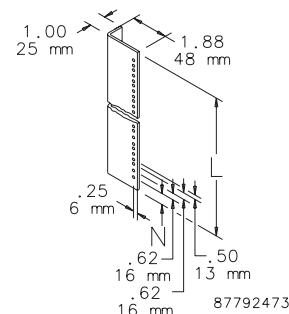


Pairs of full-length rack-mounting angles are available for mounting 1-in. (483-mm) rack-mounted equipment. Type RA angles are 14 gauge steel with .281-in. (7-mm) diameter mounting holes, spaced per EIA standard RS-310-D (universal spacing). Use Clip Nut Package (AN1032) to provide tapped holes at desired locations. Angles and mounting hardware are plated steel. Mounting hardware is furnished.

Bulletin: UX1Y

Catalog Number	Fits A x B		N mm/in.	Rack Units	Pkg. Qty.
	mm/in.	L mm/in.			
UURA6060	610 x 610	552	10	12	2
	24.00 x 24.00	21.75	.38		
UURA7560	762 x 610	705	19	15	2
	30.00 x 24.00	27.75	.75		

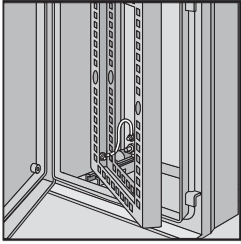
Use UURA6060 with DATACOM ULTRX Fiberglass Type 4X WiFi Cabinet.



87792473

ULTRX® Fiberglass Type 4X WiFi Cabinet and Accessories

Grounding Device

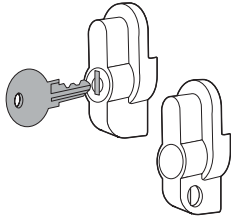


Grounding Device provides a means to attach a grounding conductor to an ULTRX Swing-Out Panel or Swing-Out Frame. Includes all installation hardware and instructions.

Bulletin: UX1Y

Catalog Number	Description
UUGK	ULTRX Grounding Device

Keylock Kit and Padlock Kit



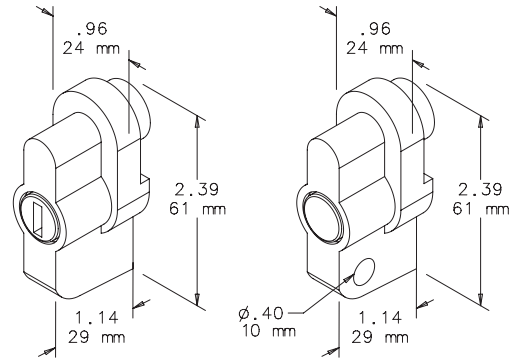
Keylock Kit or pushbutton-style Padlock Kit is easily inserted in latch hole to prevent unauthorized personnel from gaining access to enclosure contents. Each kit is fully assembled for easy installation in the field. Type 316 stainless steel construction.

Bulletin: UX1Y

Catalog Number	Description
UUHKL	Keylock Kit
UUHPL	Padlock Kit

UUHKL: Internal key components are not stainless steel.

UUHPL: Handles maintain UL 508A, Type 3, 4, 4X and 12 when properly installed on a Hoffman enclosure. Set up for 1/4-in. or 3/8-in. padlock.

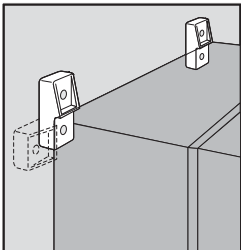


Keylock Kit

Padlock Kit

87792346

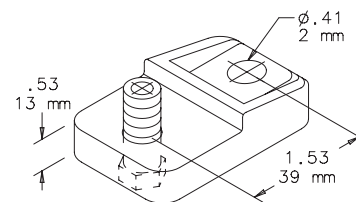
ULTRX® Mounting Bracket Kit



Kit is field-installable. Corrosion-resistant fiberglass material. Type 316 stainless steel mounting hardware is included. Four mounting brackets per kit.

Bulletin: UX1Y

Catalog Number	Description	Kit Qty.
UUMF	Mounting Bracket Kit	4



11C59177

ULTRX® Fiberglass Type 4X WiFi Cabinet and Accessories

Notes

Security Wall-Mount and Accessories

Security DVR and 19-in. Rack Equipment Cabinet, Type 1



Industry Standards

UL 508A Listed; Type 1

CSA; Type 1
 NEMA/EEMAC; Type 1
 IEC 60529 IP20
 EIA 310-D (19-in. spacing for rack equipment)
 Hoffman is an ISO 9001 company

Application

These cabinets provide physical protection and access control to DVR, 19-in. equipment or other equipment. Mount the cabinet vertically or horizontally on any surface.

Features

- Houses 19-in. or shelf-mount equipment
- Top cover has tool-less removal, is captivated by door and secured by keylock, providing easy access and installation
- Solid top cover protects equipment from falling debris
- Two standard models are 4 and 6 RU high
- Radius corners give streamlined appearance and eliminate sharp edges
- Solid front door has 180-degree opening continuous hinge
- Quarter-turn keylock with two keys on door (code 333)
- Vented sides dissipate heat from equipment
- A fan-ready cutout is provided on left side

- 14 gauge steel rack angles are adjustable within the cabinet body
- Rack angle mounting square holes (.375 x .375 in.) with EIA universal hole spacing (1/4 x 5/8 x 5/8 x 1/4-in.)
- Knockouts on bottom and side for data and power cables
- Rubber feet provide secure placement and prevent scratches
- Fasteners and cage nuts included

Specifications

- Doors and body made of 18 gauge steel; top cover is 16 gauge steel
- Welded steel construction
- One set of rack angles included per EIA standard
- Included installation instructions show optional accessories

Finish

Pretreated steel coated with RAL 9005 black, light-textured, low-gloss polyester powder paint

Accessories

See also *Accessories*.

Rack- and Panel-Mount Power Distribution Unit (PDU)
 Replacement Keys
 Dual Thermostat
 VELCRO® Cable Wrap
VELCRO is a trademark of Velcro Industries B.V.

Bulletin: D85, DACCY, DWS1

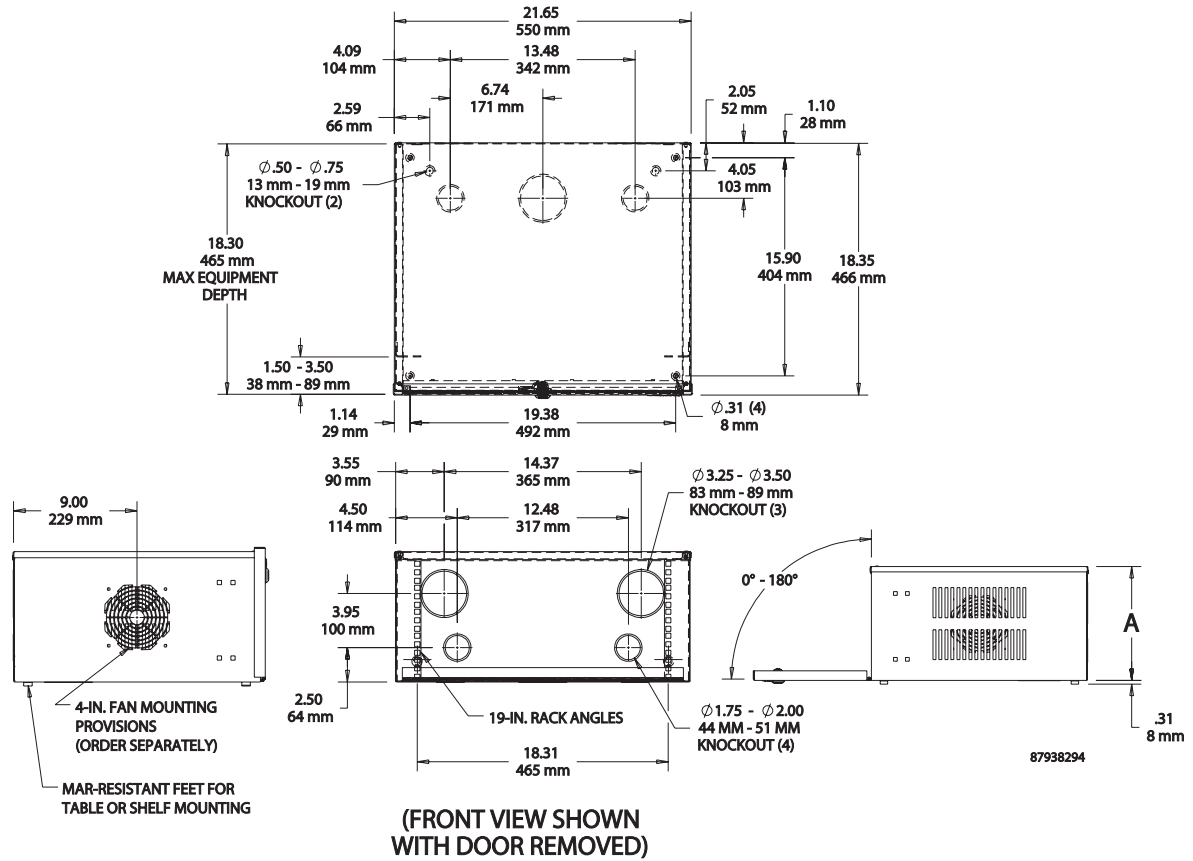
Standard Product

Catalog Number	AxBxC in./mm	Rack Units (RU)
DVR4U	9.45x21.65x18.35 240x550x466	4
DVR6U	12.99x21.65x18.35 330x550x466	6

General Accessories

Catalog Number	Description	Key Code
E333KEY	2 replacement keys (fits all locks)	333
A4AXFNGQ	Fan, 115 VAC, plus	

Security Wall-Mount and Accessories



Security Wall-Mount and Accessories

19-in. Electronic Case, Type 1



Features

- Aluminum extrusions attach to front and rear frames to create a rigid supporting framework
- Sides on 3U and 4U tall cases are aluminum extrusions with integral carrying handle. 6U tall cases have steel (1.5-mm) sides with recessed handles. 9U and 12U tall cases have 1.5-mm aluminum sides with recessed handles.
- Removable top and bottom covers attach directly to the case framework
- Bottom cover has multiple rows of slots for ventilation
- Rear cover has ventilation louvers
- Covers are 1-mm steel on 3U, 4U, 6U tall cases and 1-mm aluminum on 9U and 12U tall cases. Covers include grounding provisions.
- Case framework is assembled with rear cover installed
- Top cover, bottom cover, anti-skid feet and mounting hardware are included
- Optional tip-up foot kit, equipment guides and cage nuts are available

Specifications

- One piece aluminum die-cast frame on front and rear
- 19-in. rack-mounting provisions on both front and rear frame comply with EIA 310-D / IEC 297-1 wide spacing
- 9-mm square holes accommodate cage nuts for mounting

Finish

Framework and rear cover have a stone-gray textured finish (RAL 7030). Top and bottom covers and metal sides have a light-gray textured finish (RAL 7035).

Accessories

Hardware Kits
Slide Rails
Tip-Up Foot Kit

Bulletin: DEC1

Industry Standards

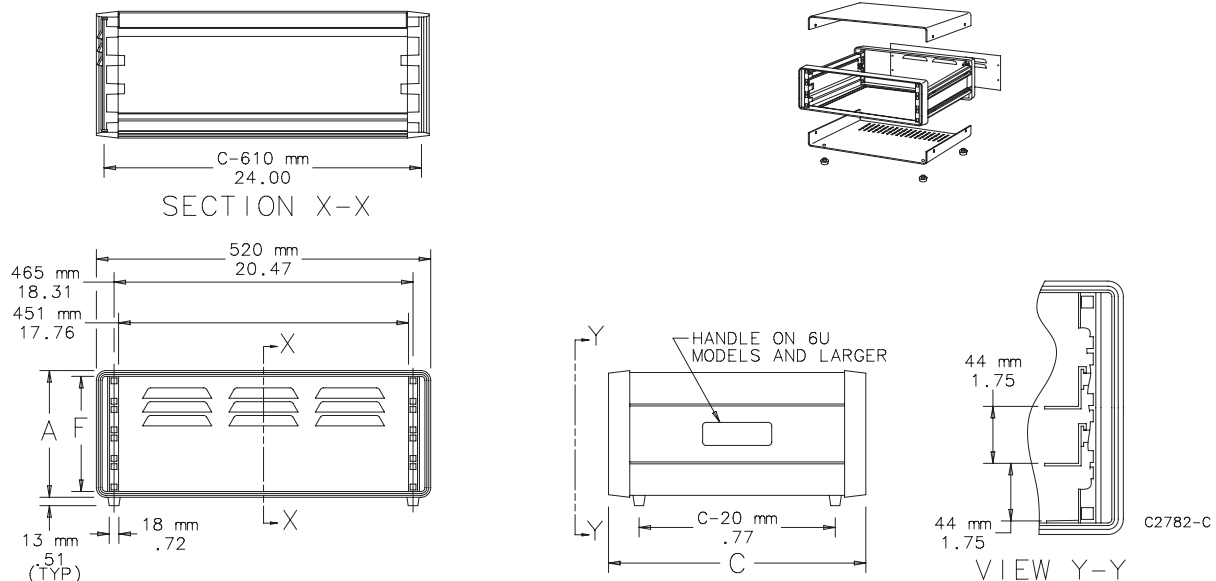
NEMA Type 1
EIA 310-D / IEC 297-1
IEC 60529, IP20

Application

Primarily used to house lab electronics, lightweight Electronic Cases accommodate 19-in. sub-racks, chassis and panels in a rigid ventilated case with integral handles.

Standard Product

Catalog Number	AxBxC mm	AxBxC in.	F (mm)	F (in.)
EEC3U5250	166 x 520 x 500	6.50 x 20.50 x 19.70	133	5.24
EEC4U5250	210 x 520 x 500	8.30 x 20.50 x 19.70	178	7.01
EEC6U5260	299 x 520 x 600	11.80 x 20.50 x 23.60	267	10.51
EEC9U5260	433 x 520 x 600	17.00 x 20.50 x 23.60	400	15.75
EEC12U5260	566 x 520 x 600	22.30 x 20.50 x 23.60	533	20.98



Security Wall-Mount and Accessories

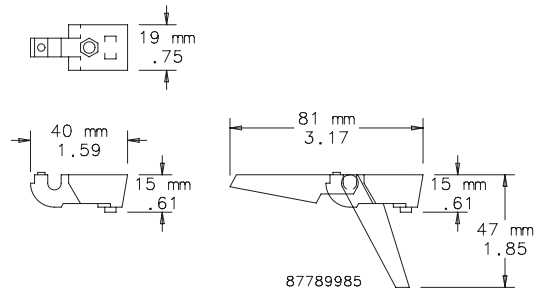
Tip-Up Foot Kit for Electronic Case



Tip-up feet can be mounted on the bottom cover to provide an improved viewing angle for rack mounted equipment installed in an electronic case. In tip-up position, front of case is raised 1.38 in. (35 mm). Feet attach to holes provided in the bottom cover and include an anti-skid rubber insert. Feet are gray plastic.

Bulletin: DEC1

Catalog Number	Description	Kit Includes
EECFTP	Tip-Up Foot Kit	2 tip-up feet, 2 standard feet and mounting hardware

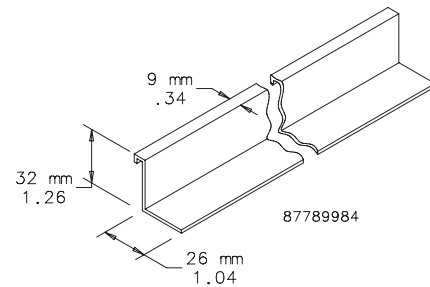


Slide Rails for Electronic Case

Slide Rails support a 19-in. subrack or chassis when installed in an electronic case. Rails attach to protrusions on the inside front and back castings of the case framework. They are positionable in increments of 1.75 in. (44 mm) vertically. Slide rails are aluminum extrusions with a clear anodized finish. They snap into place; no mounting hardware is required.

Bulletin: DEC1

Catalog Number	Fits Case	Package Includes
EECCR50	500-mm deep	1 rail
EECCR60	600-mm deep	1 rail



Hardware Kits for Electronic Case

Use to mount Electronic Case on rack angles with 9-mm square holes.

Bulletin: DACCY, P20, X20

Catalog Number	Description	Package Includes	Package Qty.
ECNSM6	M6 fastener package	Pan head Posidrive plated M6 x 16 screws, ABS black plastic cup washers and plated cage nuts	8
PM5CN	M5 cage nut package	M5 plated cage nuts	50
ASMS	M5 screw package	Pan head combination screws	20

19-in. Rack-Mount/Desktop Case and Accessories

19-in. Rack-Mount/Desktop Case, Type 1



Industry Standards

NEMA Type 1
IEC 60529, IP20

Exterior Dimensions

EIA 310-D / IEC 297-1
DIN 41494 Part 1

Application

Desktop cases house circuit boards and other electronic equipment in a rigid framework with easy front and rear access. Rack cases are 19-in. rack mountable with integral mounting provided in the front bezel.

Features

- Removable top and bottom covers attach directly to case framework for maintenance convenience
- Bottom cover has multiple rows of holes for ventilation
- Front bezel includes mounting provisions for 19-in. rack mounting as well as mounting for front panel options for application flexibility
- Top and bottom of framework have mounting provisions for optional support rails for application flexibility. Mounting holes are spaced on 10-mm centers front to back.
- Case framework is assembled for quick installation. Top cover, bottom cover, anti-skid feet and mounting hardware are included.
- Mounting hardware for optional front and rear panels are included with case for installation convenience

Specifications

- One-piece aluminum die cast front bezel and rear bezel are connected front-to-back with aluminum extrusions to form a rigid structural framework
- Sides on 3U- and 4U-tall cases are the aluminum front-to-back extrusions. The 6U-tall case has two aluminum extrusions with a steel middle panel on each side.
- Covers are 1-mm steel and have grounding provisions

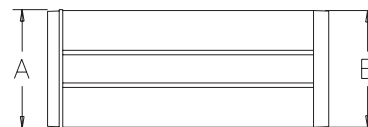
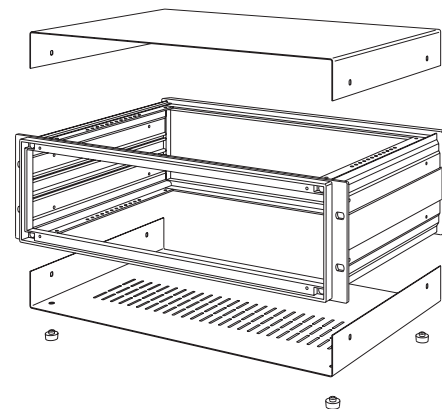
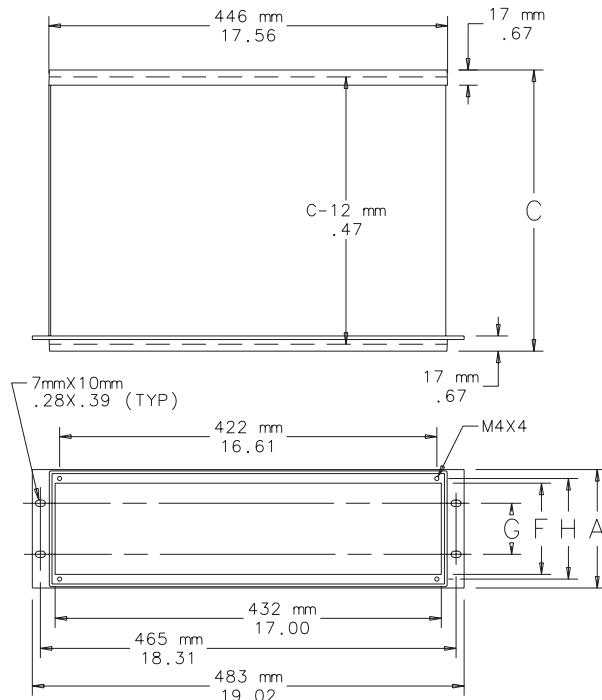
Finish

Framework has an RAL 7030 stone-gray textured finish. Top and bottom covers have an RAL 7035 light-gray textured finish on the outside and a plated finish on the inside.

Bulletin: DEC1

Standard Product

Catalog Number	AxBxC mm/in.	E mm/in.	F mm/in.	G mm/in.	H mm/in.	Rack Units
ERC3U4837	133 x 483 x 375	131	103	57	110	3
	5.20 x 19.00 x 14.80	5.14	4.04	2.25	4.33	
ERC4U4843	177 x 483 x 435	175	147	102	155	4
	7.00 x 19.00 x 17.10	6.89	5.77	4.00	6.08	
ERC6U4843	266 x 483 x 435	264	235	190	243	6
	10.50 x 19.00 x 17.10	10.39	9.27	7.50	9.58	



C2779-C

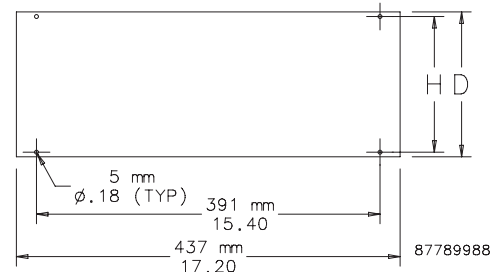
19-in. Rack-Mount/Desktop Case and Accessories

Front Panels

Blank front panel provides a means to close front or rear of a desktop case. The smooth anodized surface is ideal for mounting controls or meters, etc. The front panel is 2.5-mm thick and fits into the 6-mm (0.24-in.) recess on front (or rear) of the case. Hardware to mount front panel is furnished with case.

Bulletin: DEC1

Catalog Number	D mm/in.	H mm/in.
ERCFP3U48	120.5 4.74	110.0 4.33
ERCFP4U48	165.0 6.50	154.5 6.08
ERCFP6U48	253.8 9.99	243.4 9.58

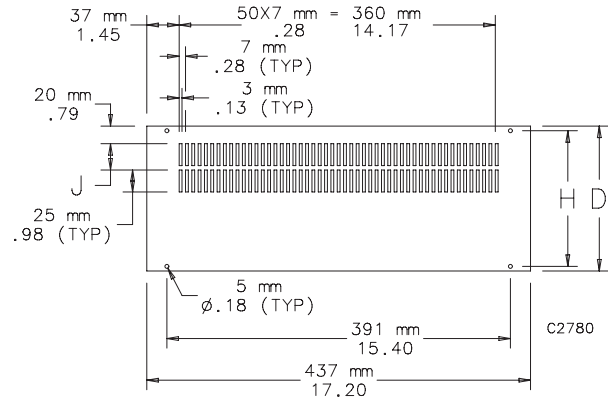


Rear Panels

Rear panels are 2.5-mm thick anodized aluminum. They include a row of ventilation slots (vertical) along the upper edge of panel. 6U covers have two rows of slots. Hardware to mount rear panel is furnished with case.

Bulletin: DEC1

Catalog Number	D mm/in.	H mm/in.	J mm/in.
ERCRP3U48	121 4.74	110 4.33	25 .98
ERCRP4U48	165 6.50	155 6.08	25 .98
ERCRP6U48	254 9.99	243 9.58	25 .98

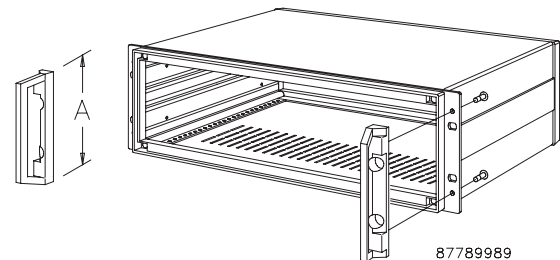


Front Handles

Handles facilitate movement of the desktop case and installation of the case in a 19-in. rack. They are mounted to the rack-mounting flanges on the 19-in. front bezel. Front bezels have holes partially drilled and countersunk for location and must be drilled through before handle installation. Handles are die-cast aluminum and finished in light-gray (RAL 7030). Package includes two handles with necessary mounting hardware.

Bulletin: DEC1

Catalog Number
ERCFH3U
ERCFH4U
ERCFH6U



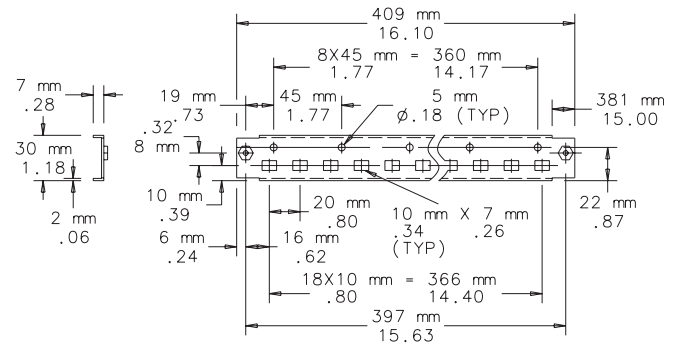
19-in. Rack-Mount/Desktop Case and Accessories

Support Rail Kit

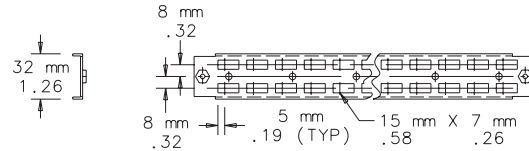
Support rails are recommended for mounting and supporting the weight of bulky components inside a desktop case. Support rails have mounting holes and rectangular slots for mounting components. Rails are 1.5-mm steel with a plated finish. M4 nuts are welded to the rail ends for easy attachment to the case. Mounting holes in the desktop case are spaced on 10-mm centers from front to back, allowing a variety of positions for support rails. Support rail kit includes front rail, rear rail and mounting hardware.

Bulletin: DEC1

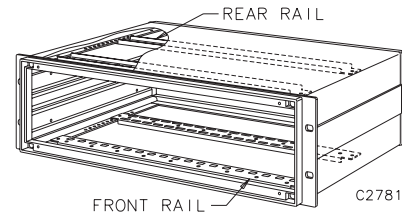
Catalog Number	Kit Includes
ERCRF48	1 front rail, 1 rear rail and mounting hardware



FRONT RAIL



REAR RAIL



19-in. Rack-Mount/Desktop Case and Accessories

Notes