

KENDALL HOWARD

Installation Instructions

LINIER® SWING-OUT WALL MOUNT CABINETS

Part Numbers:

Glass Door

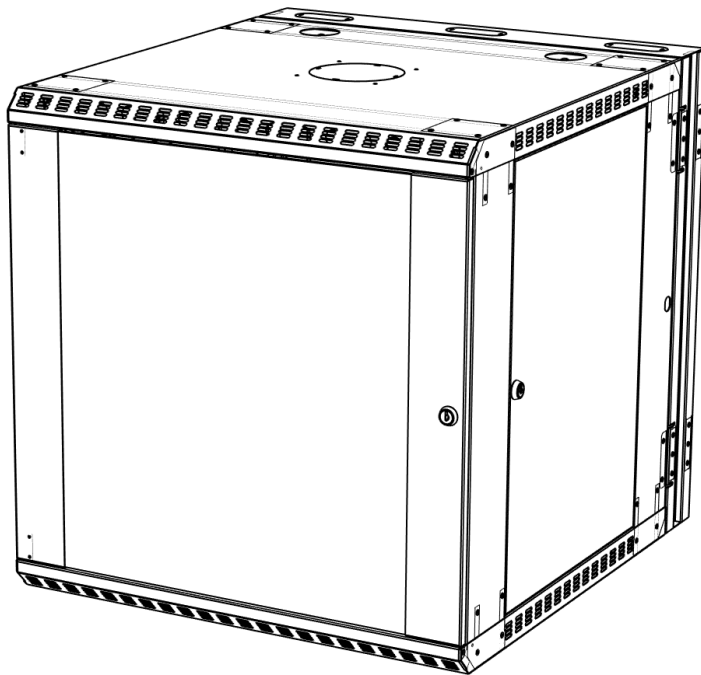
6U - 3130-3-001-06
9U - 3130-3-001-09
12U - 3130-3-001-12
15U - 3130-3-001-15
18U - 3130-3-001-18
22U - 3130-3-001-22

Solid Door

6U - 3131-3-001-06
9U - 3131-3-001-09
12U - 3131-3-001-12
15U - 3131-3-001-15
18U - 3131-3-001-18
22U - 3131-3-001-22

Vented Door

6U - 3132-3-001-06
9U - 3132-3-001-09
12U - 3132-3-001-12
15U - 3132-3-001-15
18U - 3132-3-001-18
22U - 3132-3-001-22



PLEASE READ INSTRUCTIONS BEFORE MOUNTING

**IT IS CRITICAL THAT THE CABINET BE
INSTALLED CORRECTLY TO MAINTAIN
SAFETY AND WEIGHT CAPACITY**

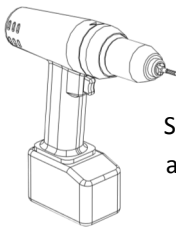
Address: 10152 Liberty Lane
Chisago City, Minnesota, 55013
United States of America

Phone: 651-213-1333

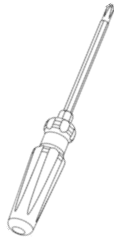
Fax: 800-418-6897

www.kendallhoward.com

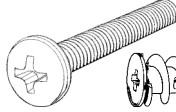
Tools/Hardware needed:



Screwdriver
and/or Drill



You may also need:

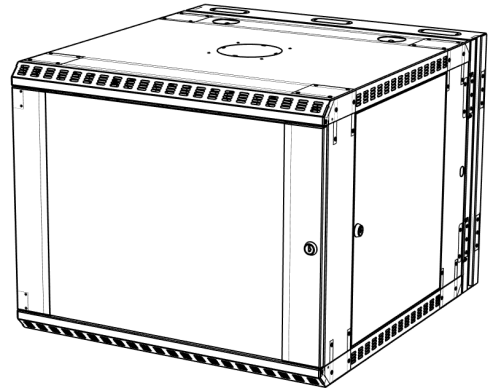


Mounting screws
and anchors

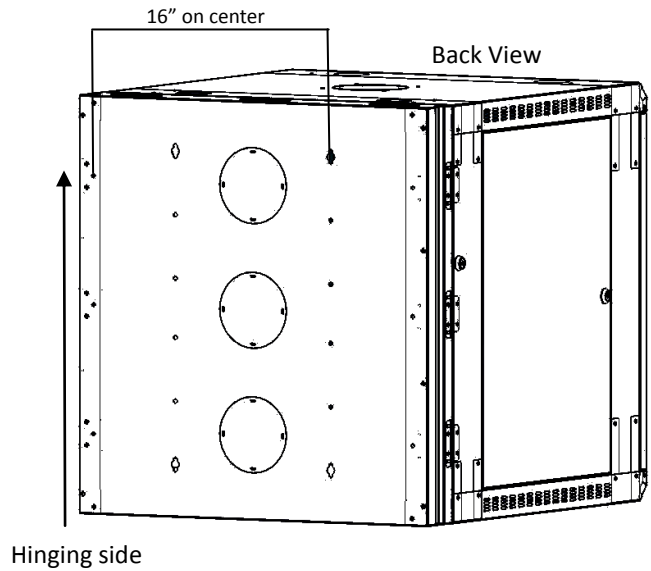
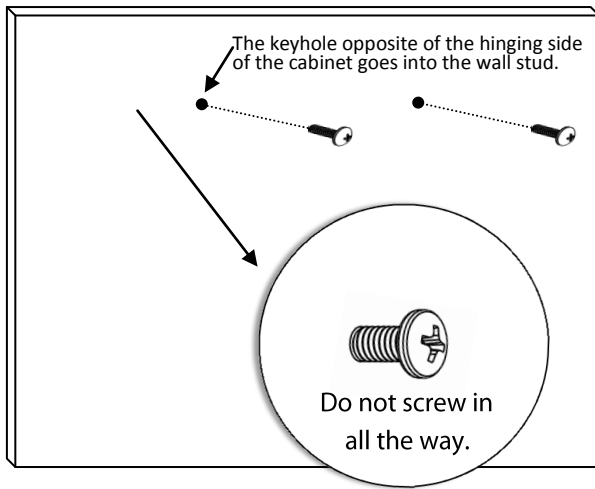
Mounting hardware is **NOT** included

What's in the box?

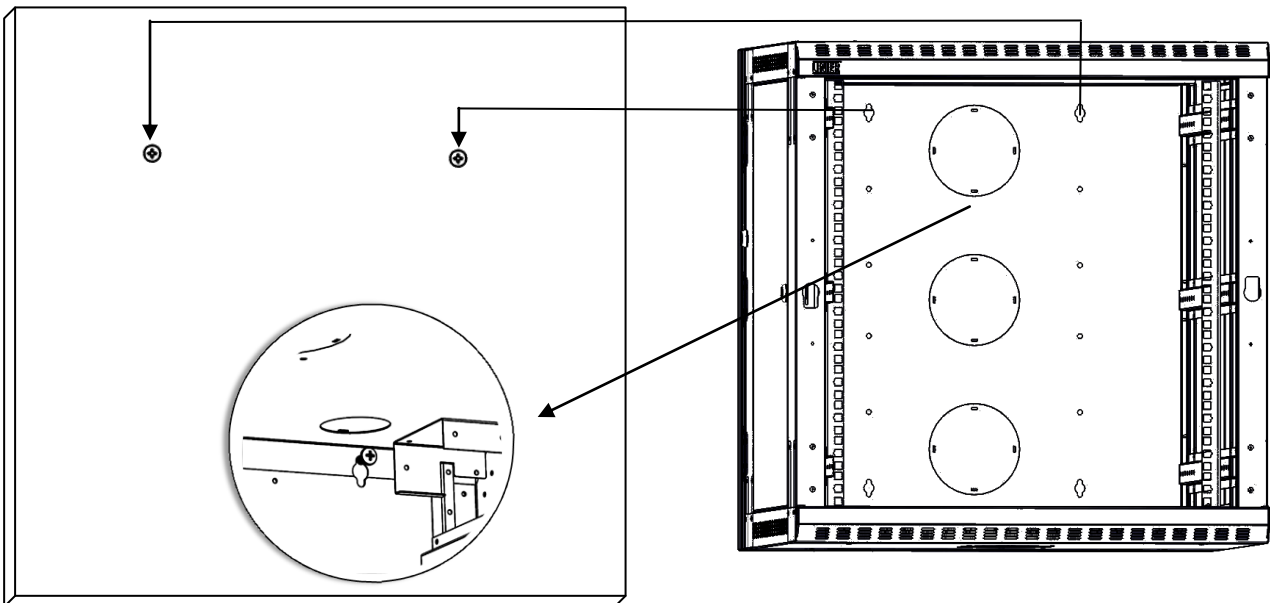
Qty 1:
LINIER Swing-
Out Wall Mount
Cabinet



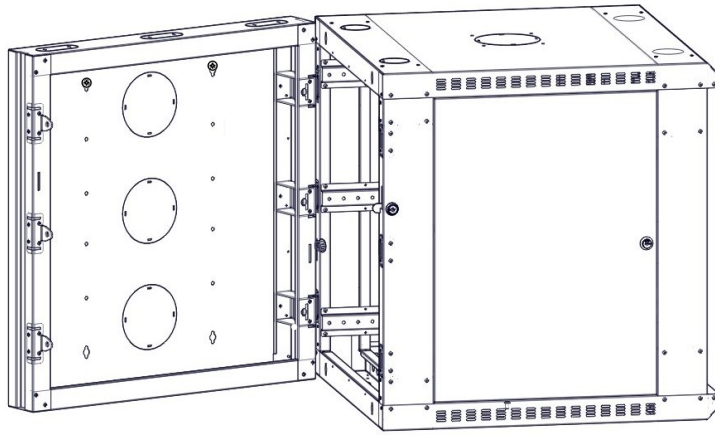
Step 1:



Step 2:

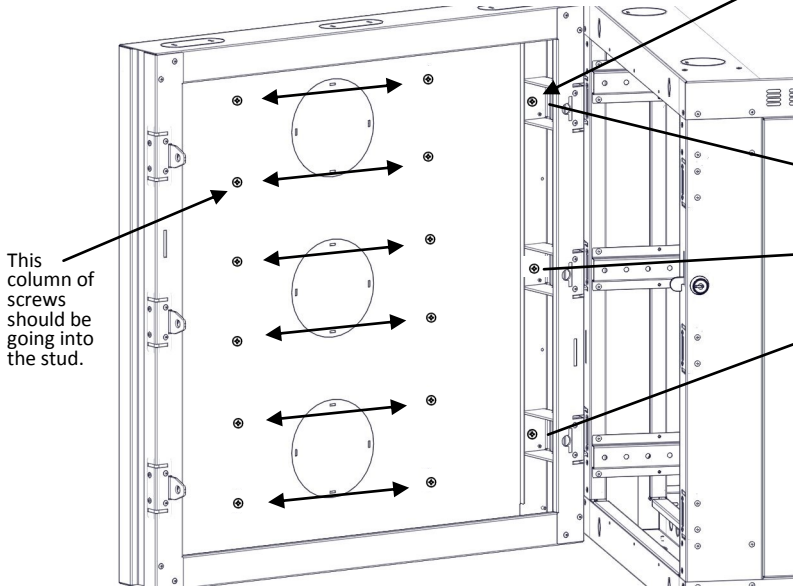


Step 3:



Swing the cabinet open carefully

Step 4:



This column of screws should be going into the stud.

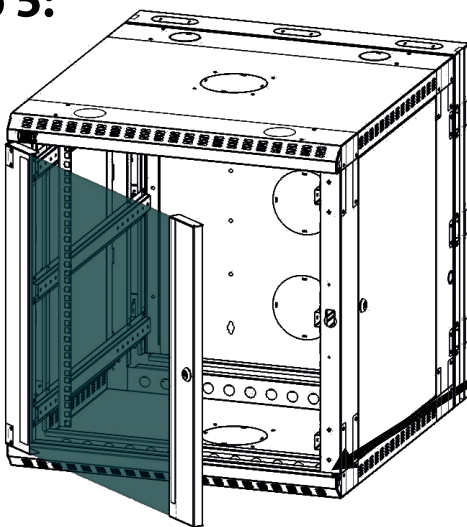
****IMPORTANT****

Screws going through the hinge are critical! They should be going into the studs to maintain weight capacity.

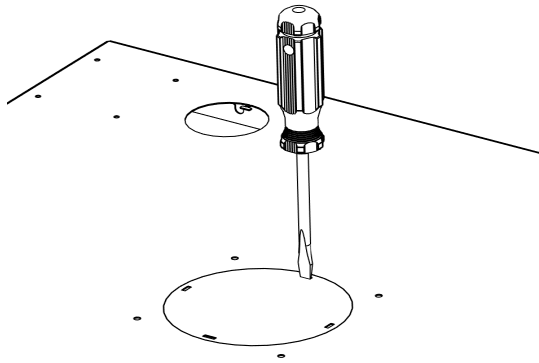
Finish installing screws along mounting holes.

**** HINGES ARE CRITICAL****

Step 5:

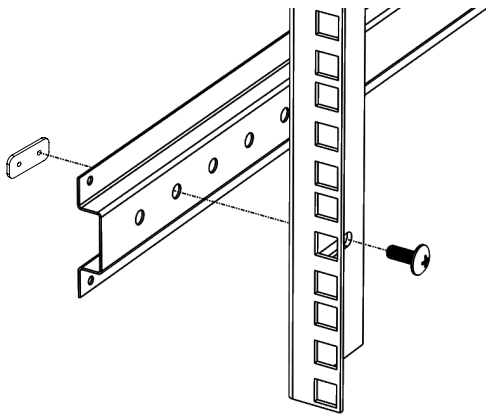


****Plastic bushing can be removed from the bottom pan of keyed side. This is inserted to help support the door during shipping, but is not needed once the cabinet is installed.**



Removing Knock Outs

- 1) Insert a flat head screwdriver into the small opening at the edge of the knock out.
- 2) Pry upwards and twist until insert breaks free.



Adjusting the Rail Depth

- 1) Unscrew the rail from the rail support. Move the rail forwards or backwards to desired location. Insert screw and secure.



For details about product warranty, please visit www.kendallhoward.com

DISCLAIMER: Kendall Howard LLC. endeavors to make this manual accurate and complete. However, Kendall Howard LLC makes no representations or warranties of any kind, expressed or implied, about whether the use of products contained herein would infringe any rights or the correctness, accuracy or reliability of the information contained herein or that said information covers all details, conditions or variations. The information herein does not provide for every possible contingency in connection with the installation or use of the product(s). The information contained in this document is subject to change without notice or obligation. Kendall Howard LLC assumes no responsibility for the accuracy, completeness or reliability of the information contained in this document. Any reliance placed on the information is therefore strictly at your own risk.