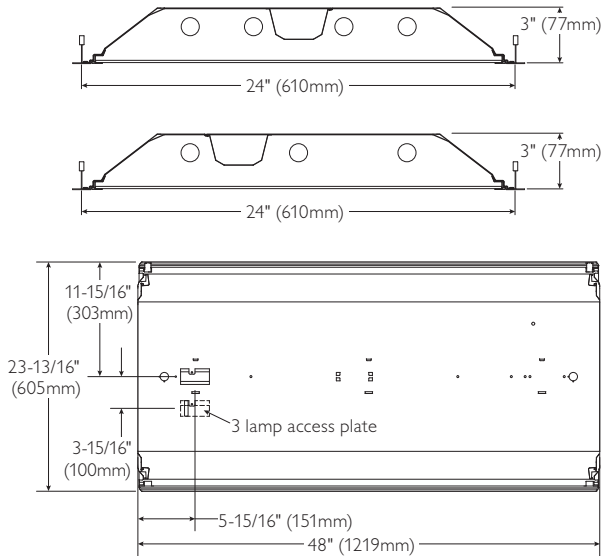


XP Series

Recessed 2'X4' Fluorescent, T8, T5/T5HO



Ordering Information

Family	Fixture Width	Ceiling Type	Lens Type	Lamp Quantity	Lamp/Fixture Length	Voltage	Ballast Type	Options
XP	2		VA				-	
XP = Recessed fluorescent with flat steel lens frame	2 = 24" (Nominal Size)	G = Standard Grid F = Flanged (overlap) and plaster frame	VA = 0.095 Prismatic acrylic lens (standard) See options	2 = 2 Lamps 3 = 3 Lamps 4 = 4 Lamps (by others)	28 = T5 lamp 32 = T8 lamp 54 = T5HO lamp (Nominal 48")	120 = 120v 277 = 277v UNV = 120-277v	1 or 2 Lamp Elec. T5/T5HO 1 or 2 Lamp Elec. T8 1-3 Lamp Elec. T8 1-4 Lamp Elec. T8 1 or 2 Lamp Elec. T8 1-3 Lamp Elec. T8 1-4 Lamp Elec. T8 LOL T8 Dimming *Instant Start Standard ‡Program Start, UNV only	Add appropriate suffix to catalog no., i.e.: (C)

Features

- 87.1% efficient 2 Lamp T8.
- 84.8% efficient 3 Lamp T8.
- 82.9% efficient 4 Lamp T8.
- One piece housing.
- Only 3" deep body.
- Flat steel or regressed aluminum lens frame with mitered corners.
- Housing has turned-up edges for safe handling.
- Ribbed housing for strength and stability.
- Built-in earthquake clips.
- Ends have screw dimples for installation to T-bar (no fixture or ceiling distortion).
- Rooster head spring latches.
- "T" shaped lens frame hinges.
- UL listed twin knockout access plate for easy closed lens frame wiring.

Job Information	Type:
Job Name:	
Cat. No.:	
Notes:	

PHILIPS
LIGHTOLIER

Recessed 2'X4' Fluorescent, T8, T5/T5HO

Specifications

Performance: In an installation of 2 lamps 32 W luminaires in a room cavity of 1, with reflectance of 80% ceiling, 50% walls, 20% floor, the C.U. shall not be less than .91. To control veiling reflections, luminaire output in the 30°-90° zone shall be not less than 70%.

Materials: Chassis Parts—Die-formed code gauge cold rolled steel. Housing is embossed for added strength and rigidity with all edges turned over for safe handling.

Finish: Chassis exterior—white baked polyester enamel.

Cavity—white baked polyester enamel minimum 86% reflectance. Rust preventative undercoating.

Lens frame—Flat full-size steel frame.

Lens: Extruded virgin acrylic 3/16" square based female cones, running 45° to the panel edge. .095" nominal thickness (similar to pattern 12).

Electrical: Thermally protected class "P" ballast C.B.M. approved, non PCB. If K.O. is within 3" of ballast, use wire suitable for at least 90°.

Labels: I.B.E.W./UL and ULc Listed.

This product may have a mercury containing lamp. Manage in accord with Disposal Laws. See: www.lamprecycle.org

Options & Accessories

Special Lens: Substitute **VY** for .125" nominal pattern 12 with 7.8 oz. average weight per square foot. Substitute **VI** for .125" normal pattern 12 with 6.2 oz. average weight per square foot.

Access Plates: Top wiring access plate is shipped with fixture as standard. When access plates are required in advance for wiring convenience, specify separately.

Order Catalog number: **ACPX CSP**.

Options & Accessories (continued)

Electrical Wiring Options: Consult factory.

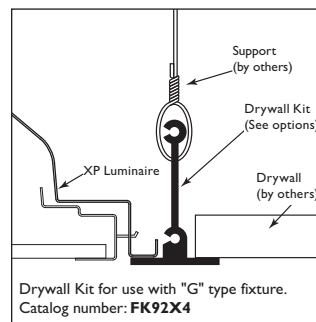
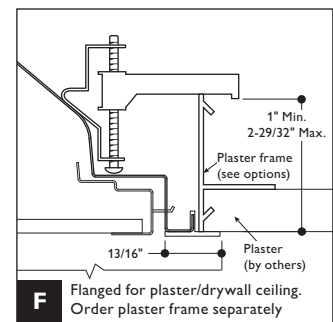
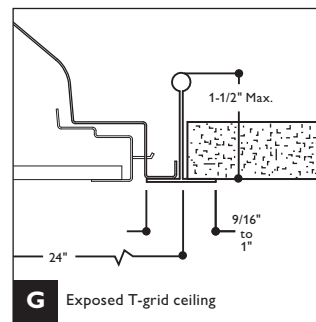
Radio Interference Filter: 120 or 277 volt, 50 or 60 Hz. One per fixture standard. Suffix: **R**. One per ballast. Suffix: **B**.

Drywall Kit: Order Catalog Number: **FK92X4**.

Fusing: Internal fast blow fusing: Suffix: **A**.

Internal slow blow fusing: Suffix: **C**.

Mounting Methods



Job Information	Type:
------------------------	--------------

XP Series

Recessed 2'X4' Fluorescent, T8, T5/T5HO

Photometry

Model No. XP2GVA232UNVHI

LER = 74.3 IW = 58.0 BF = 0.87
Comparative yearly lighting energy cost per
1000 lumens = \$3.24

Report Number: G22916

Catalog Number: XP2GVA232UNVHI

Lamps: (2) F32T8

Luminaire: XP 2X4 flat steel door
frame with extruded
virgin acrylic lens .095"
nominal thickness
(similar to pattern 12).

Ballast: RPL-2P32-SC

Report is based on 2850 lumens per lamp.

Efficiency: 87.1%

CIE Type: Direct

Plane: 0-Deg. 90-Deg.

Spacing Criteria: 1.2 1.4

Plane: 0-Deg. 90-Deg.

Luminous Length: 46.000 21.000

Candela Distribution

Vertical Angle	Horizontal Angle			Zonal Lumens
	0	45	90	
0	1838	1838	1838	
5	1841	1835	1827	175
15	1774	1796	1818	508
25	1631	1711	1778	788
35	1411	1550	1667	965
45	1111	1244	1373	959
55	747	872	931	758
65	430	445	514	458
75	260	201	251	249
85	102	94	94	103
90	15	14	17	

Coefficients of Utilization

Ceiling	80%			50%			30%			
	70	50	30	50	30	10	50	30	10	
RC	Zonal Cavity Method									
RW	Effective Floor Reflectance = 20%									
Room Cavity Ratio	1	95	91	88	86	83	80	82	80	78
	2	87	80	75	76	71	67	73	69	66
	3	80	71	64	67	62	57	65	60	56
	4	73	63	56	60	54	49	58	53	48
	5	67	57	49	54	48	43	52	47	42
	6	62	51	44	49	42	38	47	42	37
	7	58	46	39	44	38	33	43	37	33
	8	54	42	35	41	34	30	40	34	30
	9	50	39	32	37	31	27	37	31	27
	10	47	36	29	35	29	24	34	28	24

Zonal Lumen Summary

Zone	Lumens	% Lamp	% Fixt.
0-30	1471	25.8	29.6
0-40	2436	42.7	49.1
0-60	4153	72.9	83.7
0-90	4964	87.1	100.0
90-180	0	0.0	0.0
0-180	4964	87.1	100.0

Average Luminance data in candela / sq. meter

Angle	0°	45°	90°
45	2520.	2822.	3114.
55	2089.	2439.	2603.
65	1632.	1689.	1951.
75	1611.	1246.	1556.
85	1877.	1730.	1730.

Model No. XP2GVA332UNVH3

LER = 75.2 IW = 85.0 BF = 0.88
Comparative yearly lighting energy cost per
1000 lumens = \$3.19

Report Number: G22921

Catalog Number: XP2GVA332UNVH3

Lamps: (3) F32T8

Luminaire: XP 2X4 flat steel door
frame with extruded
virgin acrylic lens .095"
nominal thickness
(similar to pattern 12).

Ballast: RPL-3P32-SC

Report is based on 2850 lumens per lamp.

Efficiency: 84.8%

CIE Type: Direct

Plane: 0-Deg. 90-Deg.

Spacing Criteria: 1.2 1.4

Plane: 0-Deg. 90-Deg.

Luminous Length: 46.000 21.000

Candela Distribution

Vertical Angle	Horizontal Angle			Zonal Lumens
	0	45	90	
0	2708	2708	2708	
5	2709	2703	2694	257
15	2618	2645	2677	748
25	2402	2518	2616	1160
35	2078	2269	2429	1412
45	1630	1818	1985	1394
55	1093	1263	1339	1101
65	634	643	741	668
75	377	291	362	363
85	145	133	149	150
90	25	23	26	

Coefficients of Utilization

Ceiling	80%			50%			30%			
	70	50	30	50	30	10	50	30	10	
RC	Zonal Cavity Method									
RW	Effective Floor Reflectance = 20%									
Room Cavity Ratio	1	93	89	85	83	81	78	80	78	76
	2	85	78	73	74	69	66	71	67	64
	3	78	69	63	65	60	56	63	59	55
	4	71	62	54	58	53	48	56	51	47
	5	66	55	48	53	46	42	51	46	41
	6	61	50	43	48	41	37	46	41	36
	7	56	45	38	43	37	33	42	37	32
	8	53	41	34	40	34	29	39	33	29
	9	49	38	31	37	31	26	36	30	26
	10	46	35	28	34	28	24	33	28	24

Zonal Lumen Summary

Zone	Lumens	% Lamp	% Fixt.
0-30	2165	25.3	29.9
0-40	3577	41.8	49.3
0-60	6072	71.0	83.7
0-90	7253	84.8	100.0
90-180	0	0.0	0.0
0-180	7253	84.8	100.0

Average Luminance data in candela / sq. meter

Angle	0°	45°	90°
45	3697.	4124.	4503.
55	3057.	3532.	3744.
65	2406.	2440.	2812.
75	2336.	1803.	2243.
85	2669.	2448.	2742.

Job Information Type:

PHILIPS
LIGHTOLIER

XP Series

Recessed 2'X4' Fluorescent, T8, T5/T5HO

Photometry

Model No. XP2GVA432UNVH4

LER = 74.3 IW = 112 BF = 0.88
Comparative yearly lighting energy cost per
1000 lumens = \$3.23

Report Number: G22910

Catalog Number: XP2GVA432UNVH4

Lamps: (4) F32T8

Luminaire: XP 2X4 flat steel door
frame with extruded
virgin acrylic lens .095"
nominal thickness
(similar to pattern 12).

Ballast: B4321120RH-A

Report is based on 2850 lumens per lamp.

Efficiency: 82.9%

CIE Type: Direct

Plane: 0-Deg. 90-Deg.

Spacing Criteria: 1.2 1.4

Plane: 0-Deg. 90-Deg.

Luminous Length: 46.000 21.000

Candela Distribution

Vertical Angle	Horizontal Angle			Zonal Lumens
	0	45	90	
0	3551	3551	3551	
5	3559	3546	3527	338
15	3433	3475	3505	981
25	3158	3299	3410	1517
35	2735	2963	3154	1844
45	2140	2364	2568	1815
55	1426	1630	1718	1428
65	819	835	945	863
75	487	371	472	468
85	204	178	190	201
90	29	38	39	

Coefficients of Utilization

Ceiling	80%			50%			30%			
	70	50	30	50	30	10	50	30	10	
Wall										
RC	Zonal Cavity Method									
RW	Effective Floor Reflectance = 20%									
Room Cavity Ratio	1	91	87	84	82	79	77	78	76	74
2	83	76	71	72	68	64	69	66	63	
3	76	68	61	64	59	55	62	57	54	
4	70	60	53	57	51	47	55	50	46	
5	64	54	47	51	45	41	50	45	40	
6	60	49	42	47	41	36	45	40	36	
7	55	44	37	42	36	32	41	36	32	
8	52	41	34	39	33	29	38	32	28	
9	48	37	31	36	30	26	35	30	26	
10	45	34	28	33	27	23	32	27	23	

Zonal Lumen Summary

Zone	Lumens	% Lamp	% Fixt.
0-30	2836	24.9	30.0
0-40	4679	41.0	49.5
0-60	7923	69.5	83.8
0-90	9454	82.9	100.0
90-180	0	0.0	0.0
0-180	9454	82.9	100.0

Average Luminance data in candela / sq. meter

Angle	0°	45°	90°
45	4854.	5362.	5825.
55	3988.	4558.	4804.
65	3108.	3169.	3587.
75	3018.	2299.	2925.
85	3754.	3276.	3497.



Philips Lightolier
e: lol.webmaster@philips.com
t: (508) 679-8131, Technical info. (978) 657-7600
w: www.lightolier.com

XP-XA FL 2X4 June 11, 2012

Specifications are subject to change without notice.
© Koninklijke Philips Electronics N.V., 2012. All rights reserved.

Job Information Type: