

Meter Mains Without Bypass

200 Amp Self-Contained

Meter Mains/
Without Bypass



2M2R



U2M2R

APPLICATION

- Single meter position
- Designed to receive watt-hour meters that meet ANSI C12.10
- Overhead or underground feed
- Surface or semi-flush mounting

CONSTRUCTION

- Type 3R construction
- Snap type sealing ring included
- Ring style
- 5th jaw provision at nine o'clock for underground devices and at six o'clock for overhead devices

STANDARDS

- UL 67 listed, complies with ANSI 12.7

FINISH

- ANSI 61 gray acrylic electrocoat finish

ACCESSORIES

- Screw type sealing ring, Catalog #25016D
- Steel or clear lexan covers for socket opening
- AW Hubs

Overhead-Surface Mount

CATALOG NUMBER	MAIN DISCONNECT	PROVISIONS	AIC RATING	AMPACITY MAX. CONT.	VOLTAGE	SERVICE TYPE	NUMBER OF JAWS	HUB PROV.	CONDUCTOR LUG RANGE			DIMENSIONS (INCHES)				
									PHASE LINE	CONDUCTOR LOAD	NEUTRAL CONDUCTOR	FIGURE NUMBER	HEIGHT (H)	WIDTH (W)	DEPTH (D)	
2M2R	(1) 200A 2P CB	NONE	10K ⁴	200	--	120/240	1Ø 3W	4	AW	6 AWG - 250 kcmil	MAIN CIRCUIT BREAKER	6 AWG - 250 kcmil	Fig. 2	32	8	4 5/8
2M25R	(1) 200A 2P CB & (1) 50A 2P CB ²	NONE	10K ⁴	--	200	120/240	1Ø 3W	4	AW	6 AWG - 250 kcmil	MAIN CIRCUIT BREAKER	6 AWG - 250 kcmil	Fig. 4	32	8	4 5/8
2M11R	(2) 100A 2P CB	NONE	10K ⁴	200	--	120/240	1Ø 3W	4	AW	6 AWG - 250 kcmil	MAIN CIRCUIT BREAKER	6 AWG - 250 kcmil	Fig. 6	32	8	4 5/8
2M2RP	(1) 200A 2P CB ²	(1) 2P Prov.	10K ⁴	--	200	120/240	1Ø 3W	4	AW	6 AWG - 250 kcmil	MAIN CIRCUIT BREAKER	6 AWG - 250 kcmil	Fig. 4	32	8	4 5/8
2M211R	(1) 200A 2P CB & (2) 100A 2P CB ³	NONE	10K ⁴	200	--	120/240	1Ø 3W	4	AW	6 AWG - 250 kcmil	MAIN CIRCUIT BREAKER	6 AWG - 250 kcmil	Fig. 6	36	8	4 5/8
2M2R7	(1) 200A 3P CB	NONE	10K ⁴	200	--	120/240 & 120/208	3Ø 4W	7	AW	6 AWG - 250 kcmil	MAIN CIRCUIT BREAKER	6 AWG - 250 kcmil	Fig. 8	36	10	5

Overhead-Flush Mount

CATALOG NUMBER	MAIN DISCONNECT	PROVISIONS	AIC RATING	AMPACITY MAX. CONT.	VOLTAGE	SERVICE TYPE	NUMBER OF JAWS	HUB PROV.	CONDUCTOR LUG RANGE			DIMENSIONS (INCHES)				
									PHASE LINE	CONDUCTOR LOAD	NEUTRAL CONDUCTOR	FIGURE NUMBER	HEIGHT (H)	WIDTH (W)	DEPTH (D)	
2M2RF	(1) 200A 2P CB	NONE	10K ⁴	200	--	120/240	1Ø 3W	4	NONE	6 AWG - 250 kcmil	MAIN CIRCUIT BREAKER	6 AWG - 250 kcmil	Fig. 1.3	32	8	4 5/8
2M25RF	(1) 200A 2P CB & (1) 50A 2P CB ²	NONE	10K ⁴	--	200	120/240	1Ø 3W	4	NONE	6 AWG - 250 kcmil	MAIN CIRCUIT BREAKER	6 AWG - 250 kcmil	Fig. 1.5	32	8	4 5/8
2M11RF	(2) 100A 2P CB	NONE	10K ⁴	200	--	120/240	1Ø 3W	4	NONE	6 AWG - 250 kcmil	MAIN CIRCUIT BREAKER	6 AWG - 250 kcmil	Fig. 1.7	32	8	4 5/8
2M2RPF	(1) 200A 2P CB	(1) 2P Prov. ¹	10K ⁴	--	200	120/240	1Ø 3W	4	NONE	6 AWG - 250 kcmil	MAIN CIRCUIT BREAKER	6 AWG - 250 kcmil	Fig. 1.5	32	8	4 5/8
2M211RF	(1) 200A 2P CB & (2) 100A 2P CB ³	NONE	10K ⁴	200	--	120/240	1Ø 3W	4	NONE	6 AWG - 250 kcmil	MAIN CIRCUIT BREAKER	6 AWG - 250 kcmil	Fig. 1.7	36	8	4 5/8
2M2R7F	(1) 200A 3P CB	NONE	10K ⁴	200	--	120/240 & 120/208	3Ø 4W	7	NONE	6 AWG - 250 kcmil	MAIN CIRCUIT BREAKER	6 AWG - 250 kcmil	Fig. 9	36	10	5

Underground-Surface Mount

CATALOG NUMBER	MAIN DISCONNECT	PROVISIONS	AIC RATING	AMPACITY MAX. CONT.	VOLTAGE	SERVICE TYPE	NUMBER OF JAWS	HUB PROV.	CONDUCTOR LUG RANGE			DIMENSIONS (INCHES)				
									PHASE LINE	CONDUCTOR LOAD	NEUTRAL CONDUCTOR	FIGURE NUMBER	HEIGHT (H)	WIDTH (W)	DEPTH (D)	
U2M2R	(1) 200A 2P CB	NONE	10K ⁴	200	--	120/240	1Ø 3W	4	NONE	6 AWG - 250 kcmil	MAIN CIRCUIT BREAKER	6 AWG - 250 kcmil	Fig. 10	25	14	6
U2M25R	(1) 200A 2P CB & (1) 50A 2P CB ²	NONE	10K ⁴	--	200	120/240	1Ø 3W	4	NONE	6 AWG - 250 kcmil	MAIN CIRCUIT BREAKER	6 AWG - 250 kcmil	Fig. 10	25	14	6
U2M11R	(2) 100A 2P CB	NONE	10K ⁴	200	--	120/240	1Ø 3W	4	NONE	6 AWG - 250 kcmil	MAIN CIRCUIT BREAKER	6 AWG - 250 kcmil	Fig. 11	25	14	6
U2M2RP	(1) 200A 2P CB	(1) 2P Prov. ¹	10K ⁴	--	200	120/240	1Ø 3W	4	NONE	6 AWG - 250 kcmil	MAIN CIRCUIT BREAKER	6 AWG - 250 kcmil	Fig. 10	25	14	6
U2M211R	(1) 200A 2P CB & (2) 100A 2P CB ³	NONE	10K ⁴	200	--	120/240	1Ø 3W	4	NONE	6 AWG - 250 kcmil	MAIN CIRCUIT BREAKER	6 AWG - 250 kcmil	Fig. 12	27	14	6
U2M2R7	(1) 200A 3P CB	NONE	10K ⁴	200	--	120/240 & 120/208	3Ø 4W	7	NONE	6 AWG - 250 kcmil	MAIN CIRCUIT BREAKER	6 AWG - 250 kcmil	Fig. 13	30	17	5

Meter Mains Without Bypass

200 Amp Self-Contained

Underground-Flush Mount

CATALOG NUMBER	MAIN DISCONNECT	PROVISIONS	AIC RATING	AMPACITY MAX. CONT.	VOLTAGE	SERVICE TYPE	NUMBER OF JAWS	HUB PROV.	CONDUCTOR LUG RANGE			DIMENSIONS (INCHES)			
									PHASE LINE	CONDUCTOR LOAD	NEUTRAL CONDUCTOR	FIGURE NUMBER	HEIGHT (H)	WIDTH (W)	DEPTH (D)
U2M2RF	(1) 200A 2P CB	NONE	10K ⁴	200 --	120/240	1Ø 3W	4	NONE	6 AWG - 250 kcmil	MAIN CIRCUIT BREAKER	6 AWG - 250 kcmil	Fig. 10	25	14	6
U2M25RF	(1) 200A 2P CB & (1) 50A 2P CB ²	NONE	10K ⁴	-- 200	120/240	1Ø 3W	4	NONE	6 AWG - 250 kcmil	MAIN CIRCUIT BREAKER	6 AWG - 250 kcmil	Fig. 10	25	14	6
U2M11RF	(2) 100A 2P CB	NONE	10K ⁴	200 --	120/240	1Ø 3W	4	NONE	6 AWG - 250 kcmil	MAIN CIRCUIT BREAKER	6 AWG - 250 kcmil	Fig. 11	25	14	6
U2M2RPF	(1) 200A 2P CB	(1) 2P Prov. ¹	10K ⁴	-- 200	120/240	1Ø 3W	4	NONE	6 AWG - 250 kcmil	MAIN CIRCUIT BREAKER	6 AWG - 250 kcmil	Fig. 10	25	14	6
U2M211RF	(1) 200A 2P CB & (2) 100A 2P CB ³	NONE	10K ⁴	200 --	120/240	1Ø 3W	4	NONE	6 AWG - 250 kcmil	MAIN CIRCUIT BREAKER	6 AWG - 250 kcmil	Fig. 12	27	14	6
U2M2R7F	(1) 200A 3P CB	NONE	10K ⁴	200 --	120/240 & 120/208	3Ø 4W	7	NONE	6 AWG - 250 kcmil	MAIN CIRCUIT BREAKER	6 AWG - 250 kcmil	Fig. 13	30	17	5

* Sum of the main disconnect cannot exceed 250 amperes

1 = Provision bussed ahead of main circuit breaker

2 = 1-50A 2P CB bussed ahead of main circuit breaker

3 = 2-100A 2P CB bussed below main circuit breaker

4 = 22K AIC main circuit breaker available upon request

Note: All provisions accept Westinghouse Quicklag "HQP", General Electric "THQL" and Siemens "QP" type plug-in circuit breakers.

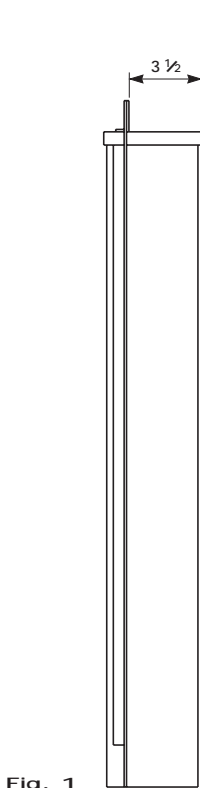


Fig. 1

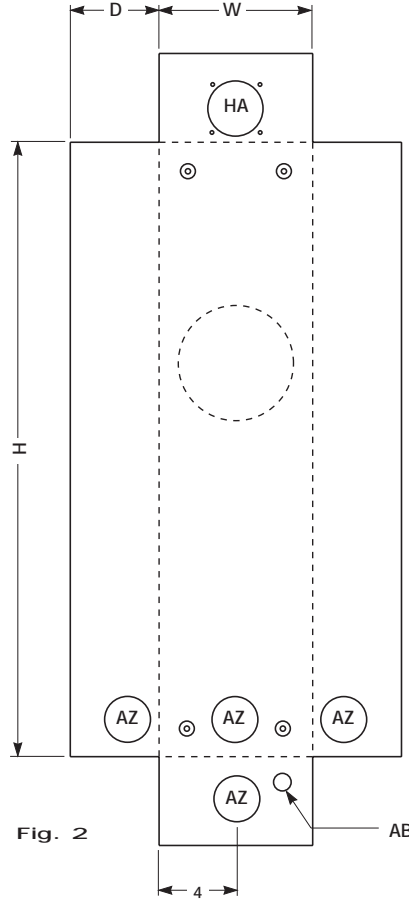


Fig. 2

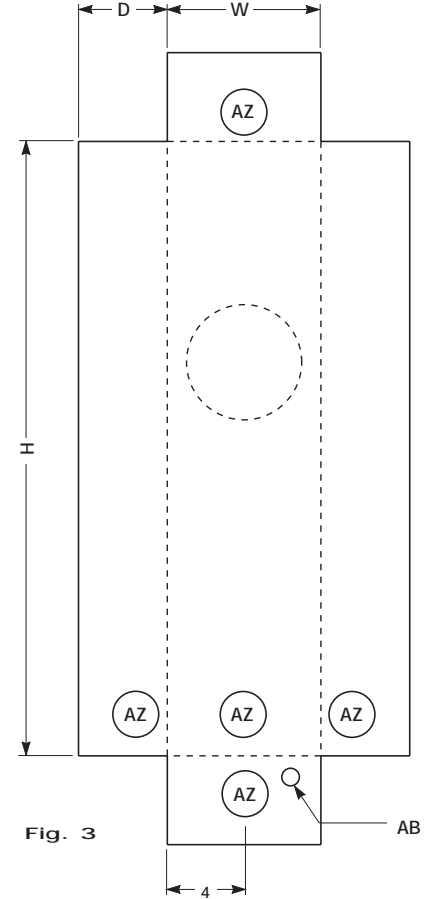


Fig. 3

Knockouts — Conduit Sizes

AB = 1/2"
 AZ = 2" - 1 1/2" - 1 1/4" - 1"
 HA = AW HUB

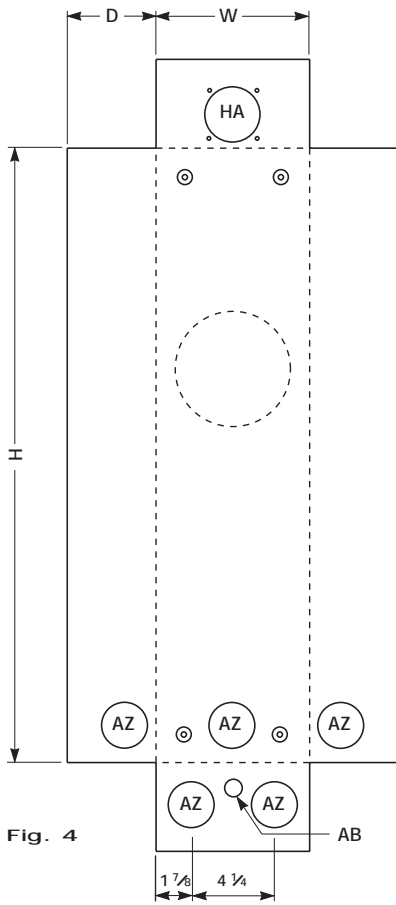


Fig. 4

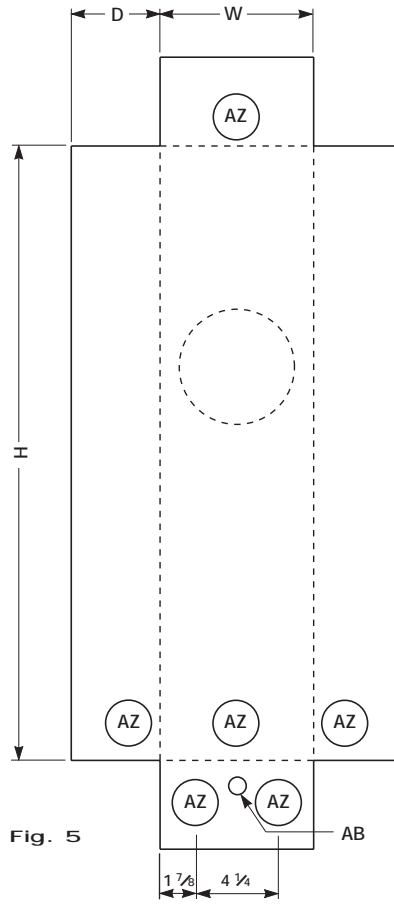


Fig. 5

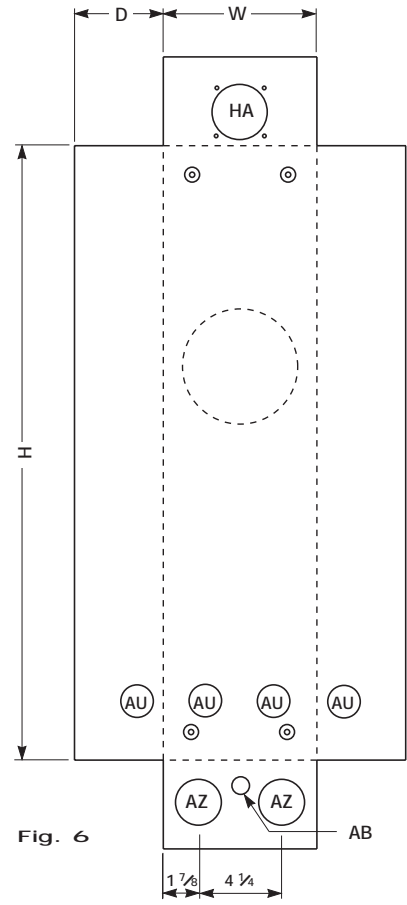


Fig. 6

Knockouts — Conduit Sizes

- AB = 1/2"
- AU = 1 1/2" - 1 1/4" - 1" - 3/4"
- AZ = 2" - 1 1/2" - 1 1/4" - 1"
- HA = AW HUB

Meter Mains Without Bypass

200 Amp Self-Contained

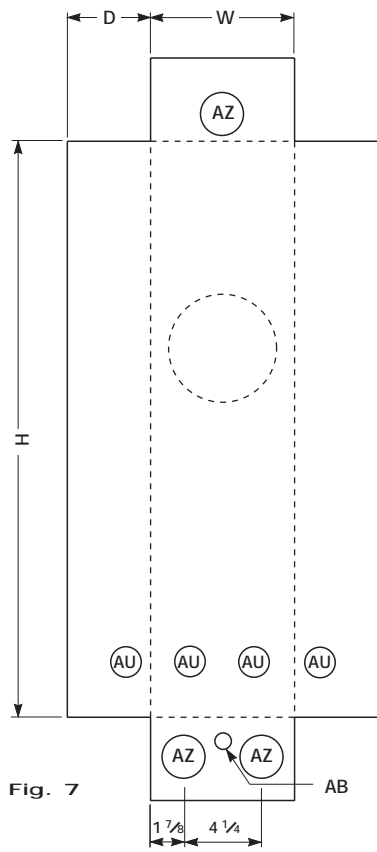


Fig. 7

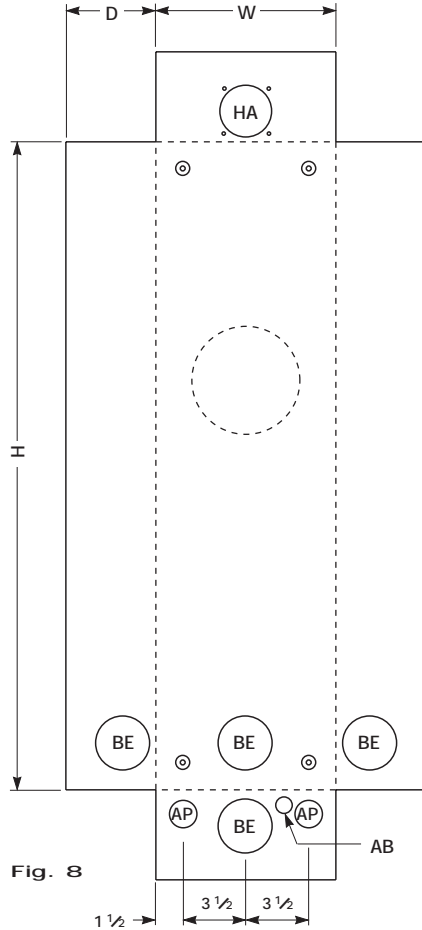


Fig. 8

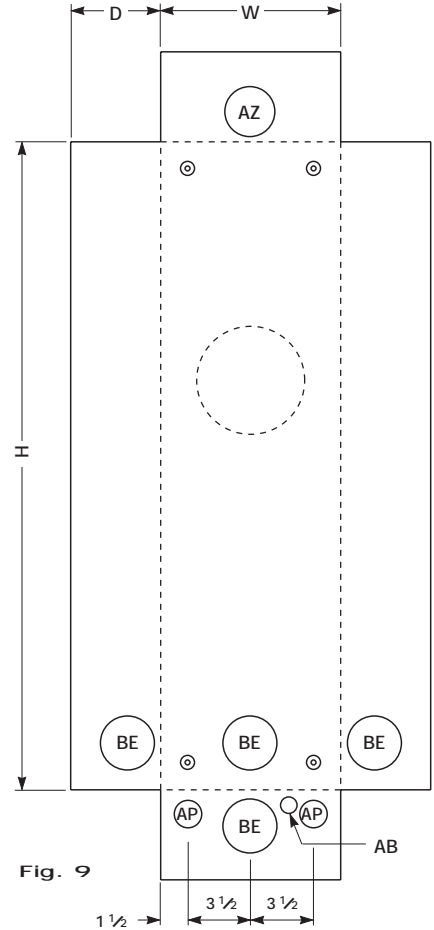


Fig. 9

Meter Mains /
Without Bypass

3

Knockouts — Conduit Sizes

- AB = 1/2"
- AP = 1 1/4" - 1" - 3/4" - 1/2"
- AU = 1 1/2" - 1 1/4" - 1" - 3/4"
- AZ = 2" - 1 1/2" - 1 1/4" - 1"
- BE = 2 1/2" - 2" - 1 1/2" - 1 1/4"
- HA = AW HUB

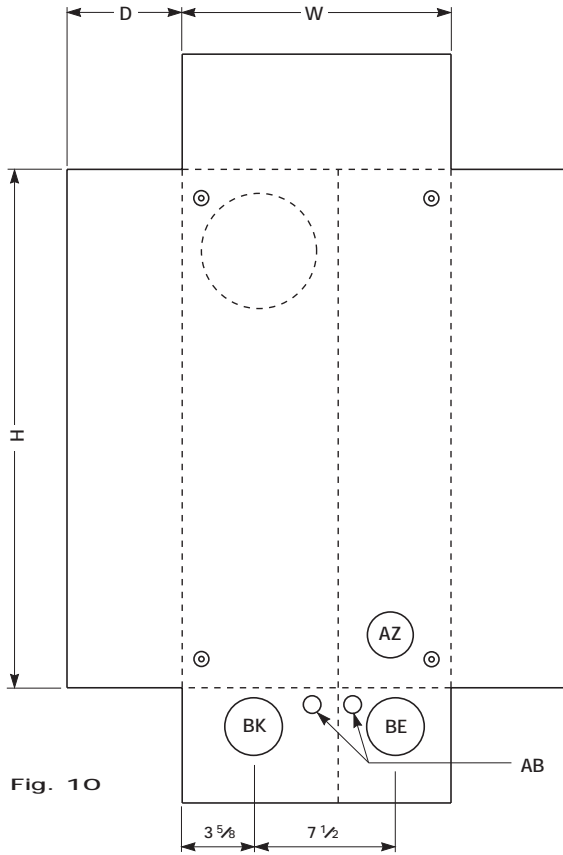


Fig. 10

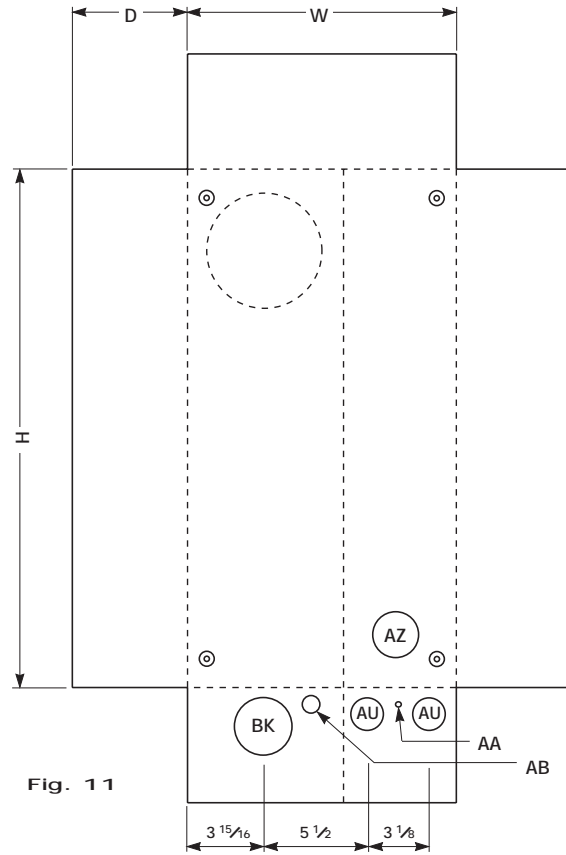


Fig. 11

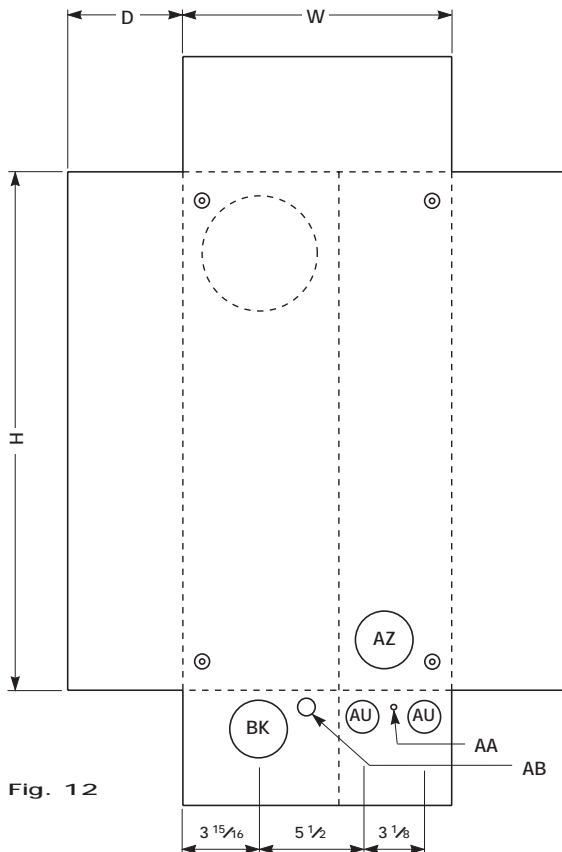
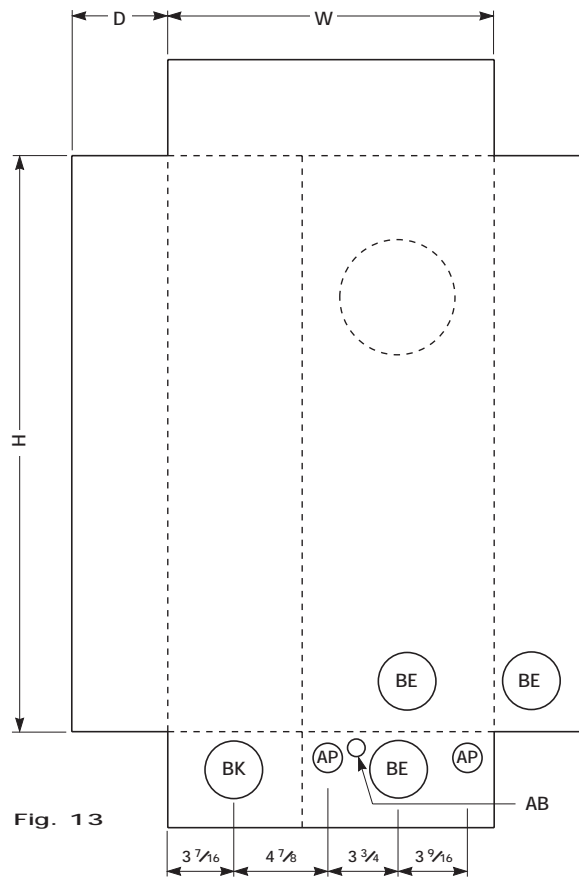


Fig. 12

Knockouts — Conduit Sizes

- AA = 1/4"
- AB = 1/2"
- AU = 1 1/2" - 1 1/4" - 1" - 3/4"
- AZ = 2" - 1 1/2" - 1 1/4" - 1"
- BE = 2 1/2" - 2" - 1 1/2" - 1 1/4"
- BK = 3" - 2 1/2" - 2" - 1 1/2"



Knockouts — Conduit Sizes

- AA = 1/4"
- AB = 1/2"
- AP = 1 1/4" - 1" - 3/4" - 1/2"
- AU = 1 1/2" - 1 1/4" - 1" - 3/4"
- BE = 2 1/2" - 2" - 1 1/2" - 1 1/4"
- BK = 3" - 2 1/2" - 2" - 1 1/2"