

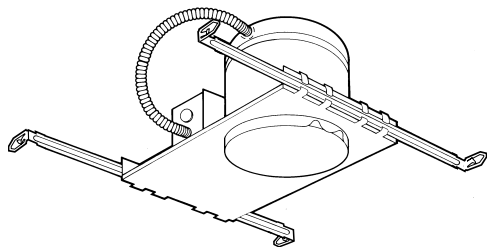
# R9\*

## 6" Shallow Incandescent Recessed Housing New Construction - Non-IC Rated

Catalog Number: \_\_\_\_\_

Type: \_\_\_\_\_

Project: \_\_\_\_\_



### Description

For new construction. Thermally protected shallow recessed housing. Furnished with pre-installed BH6 SURE-LOK® adjustable bar hangers, and adjustable socket mounting plate. Breakaway plaster frame provides remodel capability. Designed for installations with vertical clearance restrictions. Fits 2" x 6" joist construction, or other shallow plenum applications.

### Features

- Housing adjusts vertically in plaster frame to allow for variations in ceiling thickness.
- Pre-installed BH6 SURE-LOK® bar hangers included.
- 75W Maximum
- Detachable compact plaster frame may be passed through 6-3/8" ceiling opening.
- Wide variety of trims.
- Stepless adjustable socket holder plate with index marking allows precise adjustments to any position without tools.
- Thermal protection standard.
- UL Listed for Through-Branch Circuit Wiring and Damp Locations.

## CATALOG SYSTEM AND OPTIONS

SAMPLE CATALOG NUMBER: R9-RM30

Housing	-	Trims			
R9		RM30	Stepped Baffle Black	SH12P	Albalite Shower Light, White
		RM30W	Stepped Baffle White	PSH12P	Polycarbonate Shower
		RM30-OV	Stepped Baffle w/trim ring	PSH12CLR	Polymer Clear Lens
		RM30W-OV	Stepped Baffle White w/trim ring	R12P	Albalite, White
		RMS30CLR	Clear Specular Reflector	R13P	Fresnel, White
		RMS30GLD	Gold Specular Reflector	R16P	Drop Opal
		RMS30BLK	Black Reflector	SH16P	Drop Opal Shower, White
		RMS30WHT	White Reflector	PSH16P	Polycarbonate Shower, Drop Opal Lens
		R30B	Anodized Satin Brass Open Trim	PSH16CLR	Polymer Clear Lens
		R30C	Anodized Satin Chrome	SH12ICP	Albalite Shower Light, White
		R30PB	Polished Brass Open Trim	SH16ICP	Drop Opal Shower Light, White
		R30P	White Open Trim	R19P	Black Stepped Baffle
		R30BRN	Brushed Nickel Open Trim		
		HS30CLR	Economy Clear Reflector		
		HS30GLD	Gold Reflector		
		HS30BLK	Black Reflector		
		R18P	White Eyeball		
		R18B	Anodized Satin Brass		
		R18PB	Polished Brass		
		R18BRN	Brushed Nickel Eyeball		

Custom colors are available on select trims. Please see the Decorative Trims link at [www.caprilighting.com](http://www.caprilighting.com) to download brochure and for further details.

## SPECIFICATIONS

1. **Housing** - Pre-painted 22 gauge cold rolled steel. Adjusts vertically in plaster frame to accommodate ceilings 1/2" to 1 1/2" thick. Housing can be pulled through plaster frame for access to junction box. 2" x 6" joist construction. R9 accommodates lamp up to 75 watts, depending on trim used.

2. **Plaster Frame** - Die-stamped 22 gauge galvanized steel, detachable from housing for use as remodel housing, installed through 6 3/4" hole from below ceiling. Accepts BH6 bar hangers on either long or short axis of housing. Also accepts BH3 bar hangers horizontally or vertically on short axis of housing, vertically on long axis of housing.

3. **Socket** - Medium base screw shell porcelain socket, mounted with snap-in clips to adjustable socket holder. Stepless adjustable socket holder, retained by single wingnut, adjusts vertically to accommodate a wide variety of lamp and trim options. Imprinted socket scale for uniform socket positioning.

4. **Bar Hangers** - Pre-installed, patented BH6 SURE-LOK® bar hangers telescope from 16" to 24". Vertical design of interlocking bar hangers prevents sagging even at full 24" extension. BH6 bar hangers may be used on either long or short axis of housing.

5. **Junction Box** - Extra-large 32 cubic inch 16 gauge galvanized steel with two snap-on covers and grounding pigtail. Knockouts for 1/2" and 3/4" conduit and 4 Romex knockouts with strain relief. Meets all safety requirements of UL and the N.E.C.

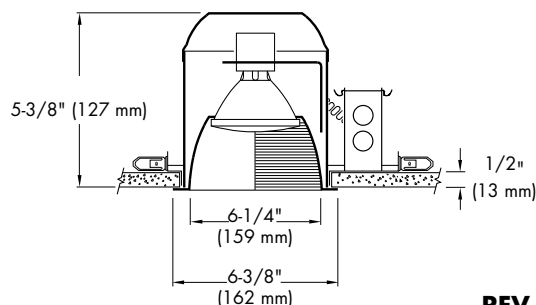
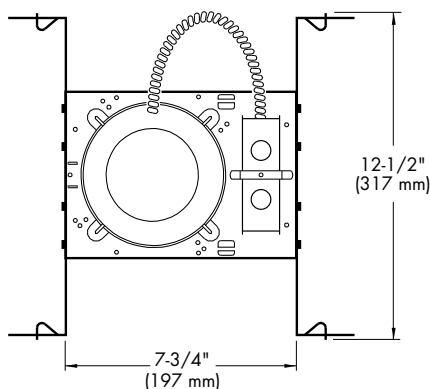
6. **Thermal Protection** - Standard thermal protection device inside housing automatically takes fixture out of service if temperature becomes excessive from contact with insulation, overlampping, or wrong lamp/trim combination.

7. **UL listed** for Damp Locations and Through Branch Wiring, 4 in/4 out.

### Accessories (Order separately)

T-Bar Clips, set of four	TC-5
Black Trim Ring	TRR6BLK
(For use with all Universal trims except RM45 and RMA99.)	
Oversize Trim Ring	OVI
For 7 3/8" O.D. trims, 8 1/4" O.D. (210 mm)	

## DIMENSIONS



REV. 01/08

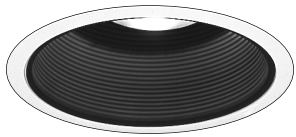
**capri**  
LIGHTING

**CAPRI LIGHTING**  
776 South Green St., Tupelo, MS 38804  
Phone 662.842.7212 FAX 662.841.5501  
[www.caprilighting.com](http://www.caprilighting.com)

**CANADIAN DIVISION:**  
189 Bullock Drive, Markham, Ontario, Canada L3P 1W4  
Phone 905.294.9570 FAX 800.268.0003

# RC1-19

# 6" TRIMS



**RMS30** (Shown)  
Black Stepped Baffle

**RM30W** White Stepped Baffle  
**RM30-OV** w/oversize trim ring  
**RM30W-OV** w/oversize trim ring

Bracket Required

7-3/8" O.D. (187 mm)

Housing	Lamp	IC Only	Non IC
R10	PAR30		75W
	R/BR30		75W

PRR75ICX	PAR30	75W (RM30)
	R/BR30	75W

R9	PAR30	75W
	R/BR30	75W
RR9	R/BR30	75W



**RMS30CLR** (Shown)  
Clear Reflector

**RMS30GLD** Gold Reflector  
**RMS30BLK** Black Reflector  
**RMS30WHT** White Reflector

Bracket Required

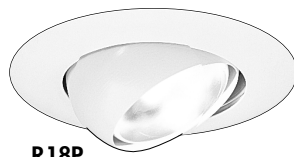
7-3/8" O.D. (187 mm)

Housing	Lamp	IC Only	Non IC
R10	PAR30		75W
	R/BR30		75W

PRR75ICX	PAR30	75W
	R/BR30	75W

R9	PAR30	75W
	R/BR30	75W

RR9	PAR30	75W
-----	-------	-----



**R18P**  
White Eyeball (shown)

**R18B** Anodized Satin Brass  
**R18PB** Polished Brass

**R18BRN** Brushed Nickel

30° Tilt

8" O.D. (203 mm)

Housing	Lamp	IC Only	Non IC
R10	R/BR30		75W

PRR75ICX	R/BR30	75W
----------	--------	-----

R9	R/BR30	75W
----	--------	-----

RR9		
-----	--	--



**R30B** (Shown)  
Anodized Satin Brass Open Trim

**R30C** Anodized Satin Chrome

**R30P** White

**R30PB** Polished Brass

**R30BRN** Brushed Nickel

Bracket Required

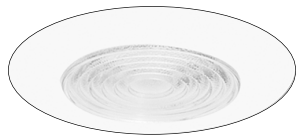
8" O.D. (203 mm)

Housing	Lamp	IC Only	Non IC
R10	PAR30		75W
	R/BR30		75W

PRR75ICX	R/BR30	75W

R9	PAR30	75W
----	-------	-----

	R/BR30	75W
--	--------	-----



**R13P**  
Fresnel, White

Bracket Required

8" O.D. (203 mm)

Housing	Lamp	IC Only	Non IC
R10	A19		60W

R9	A19		60W
RR9			



**SH12P** (Shown)  
Albalite Shower Light, White  
**PSH12P** Polycarbonate Shower Light, Polymer Opal Lens  
**PSH12CLR** Polymer Clear Lens

Bracket Required

8" O.D. (203 mm)

Housing	Lamp	IC Only	Non IC
R10	A19		60W

PRR75ICX	A19	40W(SH12ICP ONLY)
----------	-----	-------------------

R9	A19	60W
----	-----	-----

RR9		
-----	--	--



**SH16P** (Shown)  
Drop Opal Shower Light, White  
**PSH16P** Polycarbonate Shower Light, Polymer Drop Opal Lens  
**PSH16CLR** Polymer Clear Lens

Bracket Required

8" O.D. (203 mm)

Housing	Lamp	IC Only	Non IC
R10	A19		60W

R9	A19	60W
----	-----	-----

RR9		
-----	--	--

Trims shown here are the most popular choices. For a complete trim offering see sheet numbers RC1-23A & RC1-23B or go to the Capri Trim Gallery at [www.caprilighting.com](http://www.caprilighting.com)

Custom colors are available on select trims. Please see the Decorative Trims link at [www.caprilighting.com](http://www.caprilighting.com) to download brochure and for further details.

This product may be covered by one or more of the following U.S. Patents: #4,408,262, #4,703,406, #4,723,747, #4,910,651, #5,057,979. Other U.S. or Foreign Patents may apply.

Capri Lighting reserves the right to make changes without notice. ©2008

**RC1-19**

**CAPRI LIGHTING:**  
776 South Green St., Tupelo, MS 38804  
Phone 662.842.7212 FAX 662.841.5501  
[www.caprilighting.com](http://www.caprilighting.com)

**CANADIAN DIVISION:**  
189 Bullock Drive, Markham, Ontario, Canada L3P 1W4  
Phone 905.294.9570 FAX 800.268.0003

**capri**  
LIGHTING