

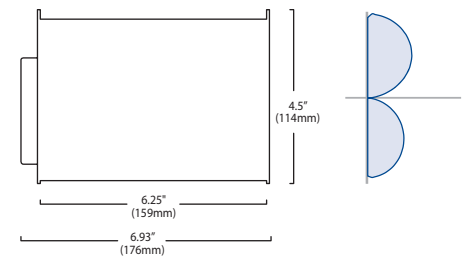
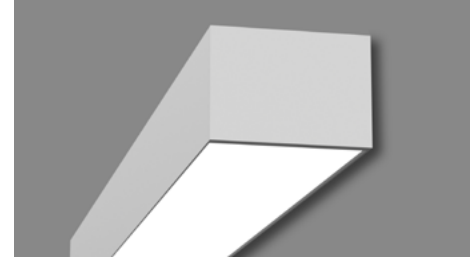
MOD™ 6 LED Wall Indirect/Direct

Fixture Type:

Project Name:

Ordering Guide

Feature	Code	Options	Description
Series		6L	MOD
Mounting		W	Wall
Fixture distribution		ID	Indirect/Direct
Uplight distribution		STD	Standard
Row length (in feet)		----	Enter in foot increments. Note fixture lengths below.
Max length in row		02 03 04 05 06 08	2', 609mm 3', 914mm 4', 1219mm 5', 1524mm* 6', 1829mm 8', 2438mm *Not available for row mounting
Downlight diffuser		SOF REG BWO	Soft Diffuse Lens Regressed Diffuse Lens* Blade Baffle with Overlay* *Not Available with Patterns
Finish/Color		C1 C2 C3 C4 C5 C6 CC	Matte White (Default) Textured Matte White Light Silver Machined Aluminum Carbon Black Textured Camera Black Custom Color
Color temperature		30K 35K 40K 2230TD 2750T 2765T	3000K 3500K 4000K 2200K-3000K SpectraSync™ Dim-to-Warm* 2700K-5000K SpectraSync™ Tunable White* 2700K-6500K SpectraSync™ Tunable White* *Must be ordered with D05 Driver option; excludes 2' and 3' lengths
Indirect output/ft (specifiable in 50 lumens/ft increments)		I030 I120	300 (not available in 2' individual) 1200
Direct output/ft (specifiable in 50 lumens/ft increments)		D030 D110	300 1100
Driver		NDM D10 D01 D05 LEC LHI LTW DALI	Non Dimming 10% Dimming, 0-10V 1% Dimming, 0-10V* 5% Dimming, 0-10V Hi-lume 1% EcoSystem LED driver Hi-lume 1% 3-wire LED driver Hi-lume 1% 2-wire LED driver(120V forward phase only) DALI *Consult Factory
Circuiting		1C 2C	1 Circuit 2 Circuit- Uplight/Downlight
Voltage		UNV 120 277 347	Universal Voltage 120 Volt 277 Volt 347 Volt* *Excludes Emergency Battery Pack 'EF' Option. Excludes DALI and Lutron (LTW/LHI/LEC) Dimming Drivers



Key Features

- Variable Intensity technology provides specifiable uplight and downlight light levels
- End cap design eliminates visible diffuser seams/gaps
- 2 SDCM color variation

Performance

Nomenclature	Lumens/ft	W/ft	Efficacy
Uplight (STD Distribution)			
I030 (min)	300	2.4	126
I050	500	3.9	128
I075	750	6.0	126
I100	1000	8.2	123
I120 (max)	1200	10.1	119
Uplight (LPA Distribution)			
I030	300	2.5	118
I050	500	4.2	119
I075	750	6.5	115
I100	1000	9.0	111
I120(max)	1200	11.2	107
Downlight			
D030 (min)	300	2.9	104
D050	500	4.3	104
D075	750	7.4	101
D110(max)	1100	10.2	98

(wattage may vary up to 5% from published)



Quick Find litecontrol.com

6L-W-ID

MOD™ 6 LED Wall Indirect/Direct

Ordering Guide (continued)

Optional Features	Code	Options	Description
Nightlight		_NL	Nightlight Circuit Required. Enter quantity. 2NL = 2 nightlight circuits/row
Emergency		ICP7	Emergency Battery. Integral-Iota CP-07. Enter quantity. Example: 2ICP7 = 2 Emergency batteries/row. *Not available for 2' or 3'
Thru-wiring		W1 W2 W3	No Thru Wire Provide Normal and Emergency Thru Wiring* Provide Normal Thru Wiring Only *Only applicable when specified with emergency
Patterns		PTRN	Contact Factory for pattern configurations. Approval drawings required. See page 5.
Sensors		SD1 SO1	Daylight Sensor Required. Enter quantity. 2SD1= 2 daylight sensors/row Occupancy Sensor Required. Enter quantity. 2SO1= 2 occupancy sensors/row
Dust Cover		L1	Clear Acrylic Dust Cover Lens



6L-W-ID

MOD™ 6 LED Wall Indirect/Direct

Output Exceptions

Value	Indirect Output-Total lm/ft	Indirect Drivers
I030	300	Excludes 2' fixture lengths. 3' fixture lengths: Excludes LEC, LHI, LTW, DALI Dimming Drivers, D01, and 347V 4' fixture lengths: Excludes DALI Dimming Drivers, D01, and 347V
I035	350	Excludes 2' fixture lengths. 3'-4' fixture lengths: Excludes DALI Dimming Drivers, D01, and 347V
I040	400	2' fixture lengths: Excludes LEC, LHI, LTW, DALI Dimming Drivers, D01, and 347V 3' fixture lengths: Excludes DALI Dimming Drivers, D01, and 347V 4' fixtures lengths: Excludes D01
I045	450	2' fixture lengths: Excludes LEC, LHI, LTW, DALI Dimming Drivers, D01, and 347V 3' fixture lengths: Excludes DALI Dimming Drivers, D01, and 347V
I050	500	2' fixture lengths: Excludes LEC, LHI, LTW, DALI Dimming Drivers, D01, and 347V 3' fixture lengths: Excludes D01
I055	550	2' fixture lengths: Excludes DALI Dimming Drivers, D01, and 347V
I060	600	2' fixture lengths: Excludes DALI Dimming Drivers, D01, and 347V
I065	650	2' fixture lengths: Excludes DALI Dimming Drivers, D01, and 347V
I070	700	2' fixture lengths: Excludes DALI Dimming Drivers, D01, and 347V

Value	Direct Output-Total lm/ft	Direct Drivers
D030	300	2' fixture lengths: Excludes LEC, LHI, LTW, D01, DALI Dimming Drivers, and 347V 3' fixture lengths: Excludes DALI Dimming Drivers, D01, and 347V 4' fixture lengths: Excludes D01
D035	350	2' fixture lengths: Excludes LEC, LHI, LTW, D01, DALI Dimming Drivers, and 347V 3' fixture lengths: Excludes D01, DALI Dimming Drivers, and 347V
D040	400	2' fixture lengths: Excludes LEC, LHI, LTW, D01, DALI Dimming Drivers, and 347V 3' fixture lengths: Excludes D01
D045	450	2' fixture lengths: Excludes DALI Dimming Drivers, D01, and 347V 3' fixture lengths: Excludes D01
D050	500	2' fixture lengths: Excludes D01, DALI Dimming Drivers, and 347V
D055	550	2' fixture lengths: Excludes D01, DALI Dimming Drivers, and 347V
D060	600	2' fixture lengths: Excludes D01
D065	650	2' fixture lengths: Excludes D01

MOD™ 6 LED Wall Indirect/Direct

Details

Construction:

Housing-extruded aluminum with extruded aluminum end headers.
End caps- Die cast aluminum with magnetic interface. Overlaps diffuser at each fixture end to eliminate gaps/ LED visibility

Downlight diffuser:

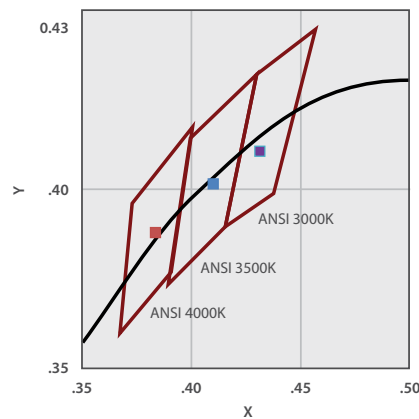
SOF-Soft diffuse acrylic lens.
REG- Regressed softglo lens with painted steel inserts. Output multiplier (.77").
BWO- White blade baffle with softglo lens overlay. Output multiplier (.70").
3', 4', 6', & 8' lengths available.

Finish/Color:

Visit www.litecontrol.com/finishes for details.

CCT:

30K-3000K output multiplier (.975)
35K-3500K output multiplier (1.0)
40K-4000K output multiplier (1.05)



Color Variation:

2 step MacAdam ellipse

Output (VI technology):

Variable Intensity (VI) technology allows precise specification of fixture output/wattage. Fixture will be programmed and labeled to specification. Indirect and direct hemispheres can be independently specified. Specify each in 50 lumen increments/ft within the below range:

	Lumens/ft	Nomenclature
Direct		
Min:	300	D030
Max:	1100	D110
Indirect		
Min:	300	D030
Max:	1200	D120

Driver:

NDM: Non-dimming. Fixture will be wired for fixed light output.
D10: 100%-10% dimming range. Fixture will be wired for low voltage 0-10V dimming control.
D01: 100%-1% dimming range. Fixture will be wired for low voltage 0-10V dimming control. Consult factory.
D05: Osram 5% Dimming, 0-10V. Only option if either 2230TD, 2750T or 2765T is selected.
LEC: 100% - 1% dimming range. Lutron Ecosystem compatible using Lutron A-Series driver.
LHI: 100%-1% dimming range. Lutron Hi-Lume 3 wire dimming compatible using Lutron A-Series driver.
LTW: Lutron Hi-Lume 2-Wire dimming using Lutron A-Series driver.
DALI: DALI compatible.
*See driver limitations in Output section above.

Field Accessibility:

LED boards and drivers can be accessed and removed from fixture, while installed. LED boards can be replaced either individually or as part of 2' module.

Circuiting:

1C (1 Circuit) Fixture wired for a single circuit.
2C (2 Circuit uplight/downlight) Uplight and downlight switched/ dimmed separately. Two power feeds required.

Nightlight:

See separate LC-Nightlight spec sheet for additional details.

Emergency:


Inverter-Compatible. Provided by others.
Integral-IOTA CP7
See separate LC-Emergency spec sheet for additional details.

Thru wiring:

See separate LC-Thruwire spec sheet for additional details.

Sensors:

Daylight sensor(Wattstopper part #FD301). Installs between diffusers.
Occupancy sensor(Wattstopper FS-305 with FS-L6 lens). Installs between diffusers.
See separate LC-Controls spec sheet for additional details.

SpectraSync™ Color Tuning Technology: 
Control your space based on the needs of the application, specific activities throughout the day and preferences of the occupants with two distinct SpectraSync™ Color Tuning Technology.

Dim to Warm: Dim to Warm mimics the familiar warming effect that occurs with traditional incandescent sources as they are dimmed. (Available with 2200K-3000K).

Tunable White: Tunable White offers users the ability to tailor CCT to their personal preference, enhancing task visibility, material and colors or the aesthetics of the space. (Available with 2700K-5000K or 2700K-6500K).

See separate [SpectraSync™ Tech Sheet](#) for additional details.
See separate [NX™ Solutions Guide](#) for additional details.



6L-W-ID

MOD™ 6 LED Wall Indirect/Direct

Details (continued)

Dust cover:

Clear acrylic lens with magnetic interface.

System Connectors:

90° corners available. One piece construction, ready to install, with diffusers that match adjoining fixtures. Corner system connectors must be used to form patterns. The length of each outside or inside lighted 90° corners is 12".

Rated Life (LED Board):

Tested in accordance to LM79-2008 & derived from EPA TM-21 calculator

L70: 280,000 (calculated per TM-21 extrapolated curve)

L70: >61,000 (reported per TM-21/LM80 6x's limitation)

L90: 72,000 (calculated per TM-21 extrapolated curve)

L90: >61,000 (reported per TM-21/LM80 6x's limitation)

Rated Life (Driver):

Standard = 100,000 hours

Lutron = 50,000 hours

Fixture weight:

3 lbs/ft.

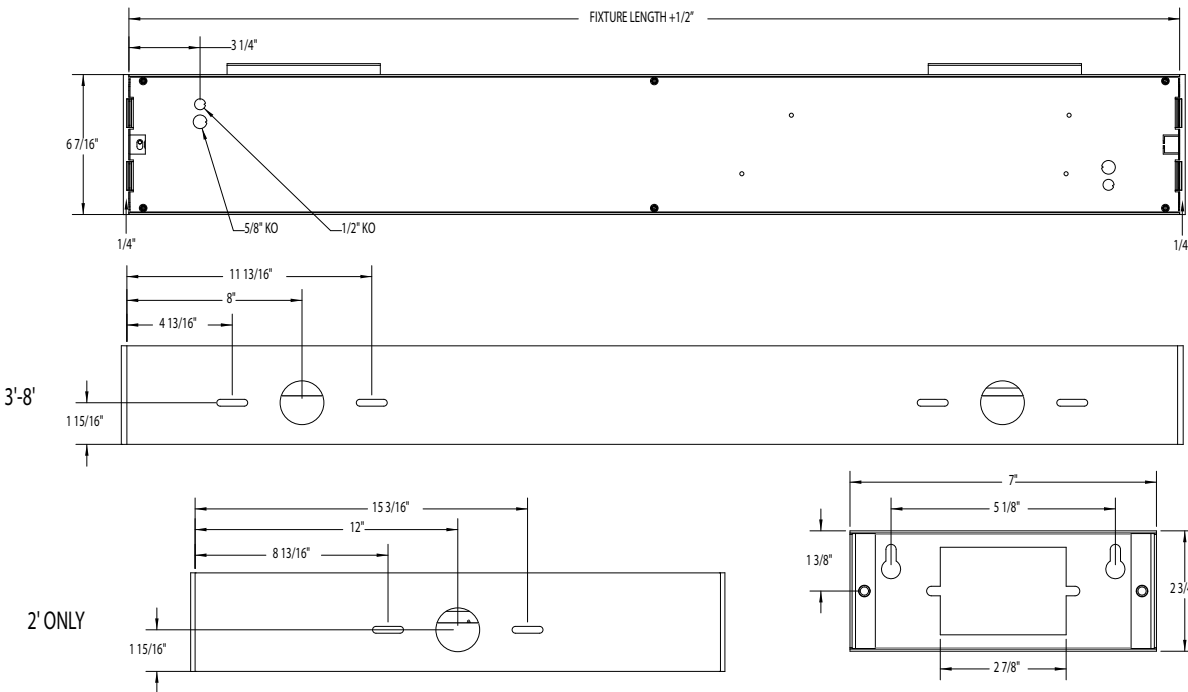
Ratings:

CSA listed for damp locations. IBEW. AF of L.

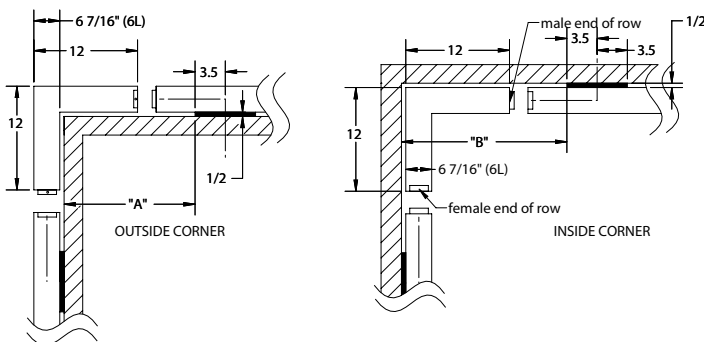
Warranty:

5 years. See www.litecontrol.com for details.

Individual Mounting:



Patterns:



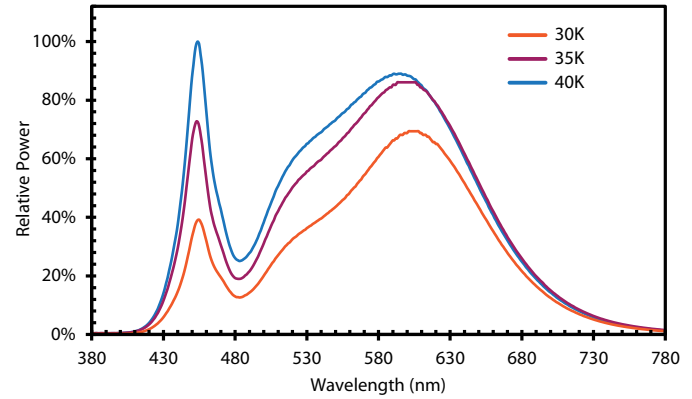
MOD™ 6 LED Wall Indirect/Direct

Details (continued)

Color Characteristics:

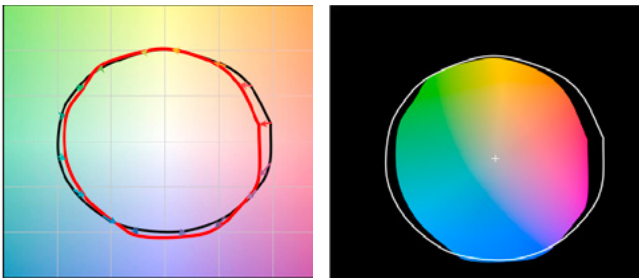
Value	Ordering Code		
	30K	35K	40K
Rf	83	82	82
Rg	96	96	96
CCT (K)	3009	3494	3975
Duv	-0.0009	-0.0004	-0.0003
x	0.435	0.4052	0.3814
y	0.4012	0.3898	0.3768
CIE Ra	83	83	84

Spectral Distribution:

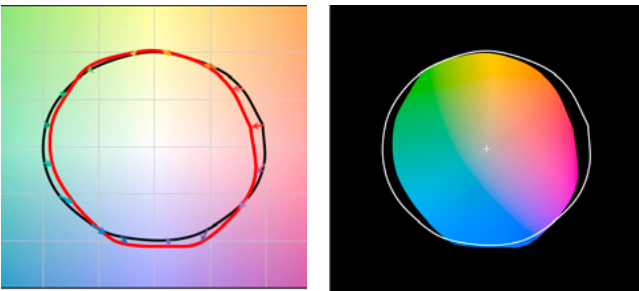


Color Vector Graphic:

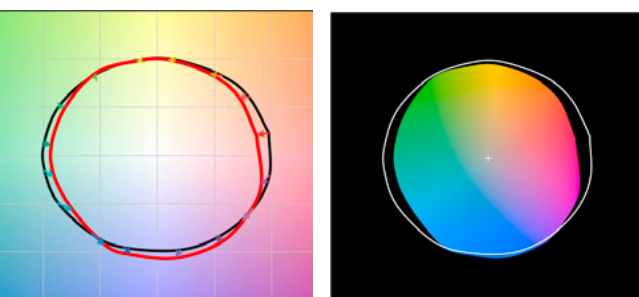
30K:



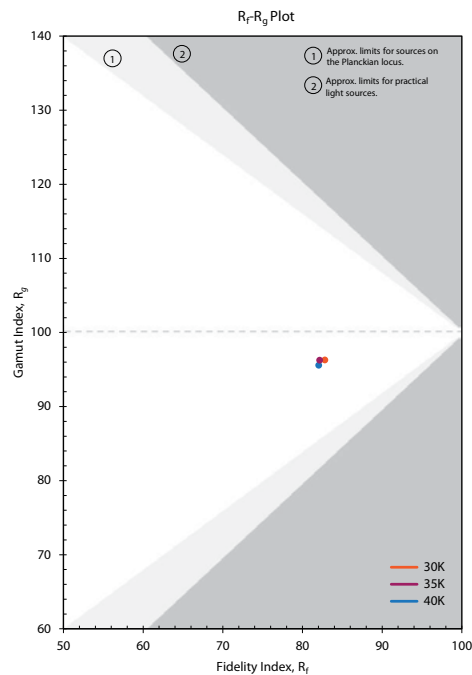
35K:



40K:



Color Gamut/Fidelity Plot



CRI:

80 minimum

CCT	CRI	R1	R2	R3	R4	R5	R6	R7	R8	R9	R10	R11	R12	R13	R14
30K	83	82	91	97	81	82	89	84	62	13	79	79	69	84	99
35K	83	81	89	95	81	81	85	86	65	13	73	79	62	83	97
40K	84	82	90	94	82	82	85	87	68	17	74	80	60	84	97

Quick Find litecontrol.com

6L-W-ID