



SUN WINCH™

GROW LIGHT LIFT KIT

Product #710180

Congratulations on your purchase of a state of the art wireless Sun Winch™ Grow Light Lift System!

To ensure that you get the most out of your Sun Winch™ lift kit, please read these instructions completely and carefully **BEFORE** installing or operating your system.

The Sun Winch™ lift system is designed to control a total lighting load of not more than 50 pounds. Ensure that the light, ballast (if required) and any hood vent hardware **DOES NOT EXCEED** 50 pounds.

SunWinch™ Kit Components

- 2 SunWinch Lift Motors
- 1 Receiver
- 1 Power Supply
- 2 Lift Motor Cords
- 3 Mounting Rail Sections

To operate your Sun Winch™ Grow Light Lift System you will need to purchase a Sun Winch™ Remote. Each remote is designed to control 8 Sun Winch™ lift kits. **The SunWinch™ Remote is sold separately.**

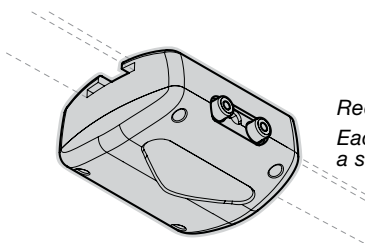


◀ Scan here for instructional video

INSTALLATION

1. Install the 3 mounting rail sections into an existing overhead support using the screws provided. It is the user responsibility to ensure that the support used is adequate to bear the weight of the lift system and grow light with associated hardware. The center holes on the 2 outside mounts should be spaced to accommodate the length of the grow light mounts.
2. Remove one Sun Winch™ Lift Motor and mount it on one of the outside rails. Ensure the pin in the Lift Motor mount aligns with the center hole in the rail.
3. Remove the second Sun Winch™ Lift Motor and mount it on the other outside rail. Ensure the pin in the Lift Motor mount aligns with the center hole in the rail.
4. Remove the Receiver module and mount it on the center rail section.
5. Attach one end of a Lift Motor cord to the Receiver module. Attach the other end to the Lift Motor.
6. Attach the second Lift Motor cord as described above.
7. Attach one end of the power supply to the Receiver module. Plug the other end of the power supply into an appropriate 120V single phase electrical outlet.

The system is now ready to operate. Each Sun Winch™ Lift receiver is pre-assigned to station #1. Each Sun Winch™ Lift System Remote is designed to independently control 8 different grow light setups.



*Receiver shown.
Each receiver can be assigned
a single station number from 1 to 8.*

WARNING: If you wish to control two grow light setups independently, **YOU MUST** assign each receiver a separate station number.

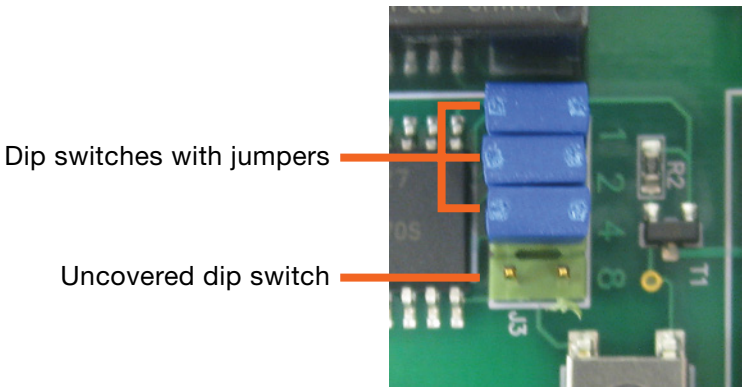
OPERATION

To lift your grow light to the desired height, press the station button once and then a direction button. **HOLD DOWN** the direction button until the desired height is reached. Release the direction button.

PROGRAM STATION NUMBER

Your Sun Winch™ Lift receiver is pre-programmed to STATION 1. To change the station number of a receiver, read the following instructions.

Remove the cover on the receiver by removing the four small screws. Decide what number you wish to use and remove the jumpers on the station ID DIP switches on the receiver board. See matrix below for proper position of the jumpers.



*Station #8 configuration shown.
Dip switches identified by numbers on right.*

Dip Switch#	Station #1	Station #2	Station #3	Station #4	Station #5	Station #6	Station #7	Station #8
1		●		●		●		●
2	●			●	●			●
4	●	●	●					●
8	●	●	●	●	●	●	●	

● = Dip switch with jumper Blank = Uncovered dip switch

FCC Caution:

The manufacturer is not responsible for radio interference caused by unauthorized modifications to this equipment. Such modifications could void the user's authority to operate this equipment. FCC/ 47CFR15.21

Class B digital device

Note: This equipment has been tested and found to comply with the limits for a Class B digital device, pursuant to part 15 of the FCC Rules. These limits are designed to provide reasonable protection against harmful interference in a residential installation. This equipment generates, uses and can radiate radio frequency energy and, if not installed and used in accordance with the instructions, may cause harmful interference to radio communications. However, there is no guarantee that interference will not occur in a particular installation. If this equipment does cause harmful interference to radio or television reception, which can be determined by turning the equipment off and on, the user is encouraged to try to correct the interference by one or more of the following measures:

- Reorient or relocate the receiving antenna.
- Increase the separation between the equipment and receiver.
- Connect the equipment into an outlet on a circuit different from that to which the receiver is connected.
- Consult the dealer or an experienced radio/TV technician for help.
- FCC/47CFR15.105

Industry Canada:

This device complies with Industry Canada licence-exempt RSS standard(s). Operation is subject to the following two conditions: (1) this device may not cause interference, and (2) this device must accept any interference, including interference that may cause undesired operation of the device.

Le présent appareil est conforme aux CNR d'Industrie Canada applicables aux appareils radio exempts de licence. L'exploitation est autorisée aux deux conditions suivantes : (1) l'appareil ne doit pas produire de brouillage, et (2) l'utilisateur de l'appareil doit accepter tout brouillage radioélectrique subi, même si le brouillage est susceptible d'en compromettre le fonctionnement.



Sunlight Supply, Inc.

National Garden Wholesale

*Specializing in the wholesale of indoor horticulture,
organics & hydrogardening supplies.*

Vancouver, WA • Livermore, CA • Ontario, CA • Samoa, CA
Denver, CO • Wixom, MI • York, PA • Nashville, TN • Pompano Beach, FL

www.sunlightsupply.com

©2014, Sunlight Supply, Inc.

