




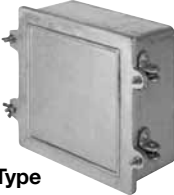







## Cast Junction Boxes

	Page	Description
	<b>2,3</b>	<b>RS Series Rectangular Malleable Iron Junction Boxes</b>
	<b>4-24</b>	<b>W Series Cast Iron Junction Boxes</b>
	4	Illustrated Box Selection Guide
	5	NEMA Rating for Cast Junction Boxes
	6-12	Options and Ordering Information for W Series cast iron junction boxes, including mounting plates
	13	<b>WYS</b> Type, unflanged, with flat cover for surface mounting
	14-15	<b>WYL</b> Type, with overlapping cover for surface mounting
	16-17	<b>WYF</b> Type, flanged, with flat cover for surface mounting
	18-19	<b>WYW</b> Type, with hinged cover for surface mounting
	20	<b>WYR</b> Type, external flanged with recessed cover for flush mounting
	21	<b>WYU</b> Type, inside flange, recessed cover for flush mounting
	22	<b>WYT</b> Type, heavy-duty sidewalk box, flush mounting
	23	<b>WY58E</b> Type, sidewalk topping box, flush mounting
	24	<b>WYC</b> Type, heavy-duty hinged trim and door, flush mounting
	25	<b>WYNY</b> Type, roadway topping box, flush mounting, one piece flange
		For Explosionproof and Dust-Ignitionproof Cast Iron and Cast Aluminum Junction Boxes, see Catalog Section K.

## RS Series Malleable Iron Junction Boxes; Hub Plates in Four Styles

UNILETS® for Use with Threaded Rigid Metal Conduit and IMC.

### Applications

- Serve as main cable distribution center, or can be used for adding circuits to existing systems.
- Serve as pull boxes.
- Provide access to conductors for maintenance.

### Features

- Removable hub covers permit variable hub arrangements in a wide range of sizes.
- Furnished with top cover, gaskets, and cover screws for all open sides.
- Side covers available blank or with 1, 2, or 3 hubs.
- Provides visibility while making connections and splices (opens on four sides and top).
- Threads are accurately tapped and tapered for tight, rigid joints and ground continuity.
- Hubs in all covers have integral bushings to protect conductor insulation from damage. Hub plate openings are smooth.

### Standard Materials

- *RS boxes and covers*: malleable iron.
- *Gaskets*: composition fiber.

### Standard Finishes

- *RS boxes and covers*: triple coat – (1) zinc electroplate, (2) dichromate, and (3) epoxy powder coat.

### Compliances

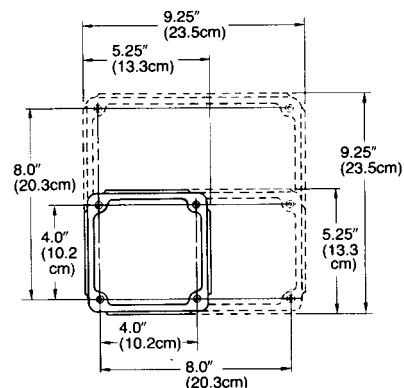
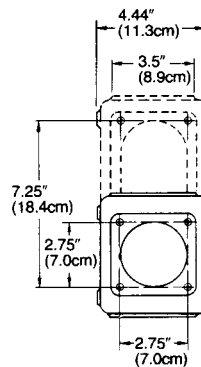
- UL Standard 50.
- Federal Spec. W-C586B.
- Suitable for classified location use in Class I, Division 2, if installed in compliance with NEC 501-4(b).
- Appleton malleable iron products conform to ASTM A47-77, Grade 32510, which has the following properties: tensile strength, 50,000 psi; yield, 32,000 psi; and elongation, 10%.



**RS Box bottom and side frame construction is one-piece malleable iron. Smooth hub cover openings prevent damage to conductor insulation.**










**RS Junction Boxes come in three size furnished with top cover, gaskets, and cover screws for all open sides.**



## RS Series Junction Boxes, Covers, and Gaskets; Malleable Iron

UNILETS® for Use with Threaded Rigid Metal Conduit and IMC.

	Description	Size (Inches)	Catalog Number	
	<b>RS- Boxes</b> Furnished with top gasketed cover plus screws and gaskets for open sides.			
	RS	8-1/2" x 8-1/2" x 4 Inside Dimensions	<b>RS-1</b>	
	RSM	8-1/2" x 4-1/2" x 4 Inside Dimensions	<b>RSM-1</b>	
	RSS	4-1/2" x 4-1/2" x 4 Inside Dimensions	<b>RSS-1</b>	
	<b>RS, RSM- Covers for 8-1/2" x 4" Sides</b> Gaskets and screws not included.			
	One Hub	1/2 3/4 1 1-1/4 1-1/2 2	<b>RSK1-50</b> <b>RSK1-75</b> <b>RSK1-100</b> <b>RSK1-125</b> <b>RSK1-150</b> <b>RSK1-200</b>	
	Two Hubs	1/2 3/4 1 1-1/4 1-1/2 2	<b>RSK2-50</b> <b>RSK2-75</b> <b>RSK2-100</b> <b>RSK2-125</b> <b>RSK2-150</b> <b>RSK2-200</b>	
	Three Hubs	1/2 3/4 1 1-1/4	<b>RSK3-50</b> <b>RSK3-75</b> <b>RSK3-100</b> <b>RSK3-125</b>	
	Blank	Blank	<b>RSK-B</b>	
				
	<b>RSS, RSM- Covers for 4-1/2" x 4" Sides</b> Gaskets and screws not included.			
	One Hub	1/2 3/4 1 1-1/4 1-1/2 2	<b>RSSK-50</b> <b>RSSK-75</b> <b>RSSK-100</b> <b>RSSK-125</b> <b>RSSK-150</b> <b>RSSK-200</b>	
	Blank	Blank	<b>RSSK-B</b>	
				
		<b>RS- Gaskets</b> Composition Fiber.		
		For RS, RSM 8-1/2" x 4" Sides		<b>RS-GK</b>
	For RSM, RSS 4-1/2" x 4" Sides		<b>RSS-GK</b>	

## W Series Cast Junction Boxes: Illustrated Box Selection Guide

Boxes available for Raintight, Watertight, or Submersible applications.

### SURFACE MOUNTING

#### ① WYS Type

- General purpose junction box. Flat cover.

- Raintight, Watertight (NEMA 3R and 4).

#### ② WYL Type

- Same as WYS Type except with overlapping cover.

- Raintight, Watertight, (NEMA 3R and 4).

#### ③ WYW Type

- Hinged cover type. Box same as WYS Type except has overlapping hinged cover.

- Raintight, Watertight, (NEMA 3R and 4).

#### ④ WYF Type

- Externally flanged box with flat cover for severe environmental conditions.

- Raintight, Watertight, Submersible, (NEMA 3R, 4 and 6).

### FLUSH MOUNTING

#### ⑤ WYU Type

- Primarily for flush mounting in concrete walls or floors, but may be surface mounted with optional mounting lugs.

- Cover recessed in internal flange ideal where space is limited.

- Raintight (NEMA 3R).

#### ⑥ WYR Type

- Cover recessed in externally flanged box for severe environmental conditions.

- Raintight, Watertight, (NEMA 3R and 4).

#### ⑦ WYT Type

- Heavy duty sidewalk box— ideal in concrete where subjected to pedestrian or vehicular traffic.

- Cover and frame easily removed without disturbing box or conduits.

#### ⑧ WYC Type

- Attractive, heavy duty hinged door and trim. Lock provided as standard.

- Typically used in masonry walls as an enclosure for cut-outs, signal equipment, relays, switches, emergency lighting, etc.

#### ⑨ WY58E Type

- Three-piece bottomless box for topping off underlying concrete boxes.

- Cover and frame easily removed without disturbing box or conduits.

#### ① WYS Type



#### ② WYL Type



#### ③ WYW Type



#### ④ WYF Type



#### ⑤ WYU Type



#### ⑥ WYR Type



#### ⑦ WYT Type



#### ⑧ WYC Type



#### ⑨ WY58E Type



#### ⑩ WYNY Type



#### ⑩ WYNY Type

- Similar to the WY58E Type except flange is a one piece design.

- Units designed to withstand vehicular traffic.

## W Series Cast Boxes: NEMA Ratings

### NEMA Data.

Our cast junction boxes are designed, constructed and tested to comply with NEMA standards. The following chart has been prepared to provide a quick reference for selecting enclosures to meet specific NEMA requirements.

A brief description of the more common types of enclosures used by the electrical industry relating to their environmental capabilities follows. Please refer to the appropriate sections of NEMA Standards Publication No. 250-1997, Enclosures for Electrical Equipment (1000 Volts Maximum) for complete information regarding applications, features and design tests.

### Definitions Pertaining to Non-Hazardous Locations

**Type 1**— Enclosures constructed for indoor use to provide a degree of protection to personnel against incidental contact with the enclosed equipment and to provide a degree of protection against falling dirt.

**Type 2**— Enclosures constructed for indoor use to provide a degree of protection to personnel against incidental contact with the enclosed equipment, to provide a degree of protection against falling dirt, and to provide a degree of protection against dripping and light splashing of liquids.

**Type 3**— Enclosures constructed for either indoor or outdoor use to provide a degree of protection to personnel against incidental contact with the enclosed equipment; to provide a degree of protection against falling dirt, rain, sleet, snow and windblown dust; and that will be undamaged by the external formation of ice on the enclosure.

**Type 3R**— Enclosures constructed for either indoor or outdoor use to provide a degree of protection to personnel against incidental contact with the enclosed equipment; to provide a degree of protection against falling dirt, rain, sleet, and snow; and that will be undamaged by the external formation of ice on the enclosure.

**Type 3S**— Enclosures constructed for either indoor or outdoor use to provide a degree of protection to personnel against incidental contact with the enclosed equipment; to provide a degree of protection against falling dirt, rain, sleet, snow, and windblown dust; and in which the external mechanism(s) remain operable when ice laden.

**Type 4**— Enclosures constructed for either indoor or outdoor use to provide a degree of protection to personnel against incidental contact with the enclosed equipment; to provide a degree of protection against falling dirt, rain, sleet, snow, windblown dust, splashing water, and hose-directed water; and that will be undamaged by the external formation of ice on the enclosure.

**Type 4X**— Enclosures constructed for either indoor or outdoor use to provide a degree of protection to personnel against incidental contact with the enclosed equipment; to provide a degree of protection against falling dirt, rain, sleet, snow, windblown dust, splashing water, hose-directed water, and corrosion, and that will be undamaged by the external formation of ice on the enclosure.

**Type 5**— Enclosures constructed for indoor use to provide a degree of protection to personnel against incidental contact with the enclosed equipment; to provide a degree of protection against falling dirt; against settling airborne dust, lint, fibers, and flyings; and to provide a degree of protection against dripping and light splashing of liquids.

**Type 6**— Enclosures constructed for either indoor or outdoor use to provide a degree of protection to personnel against incidental contact with the enclosed equipment; to provide a degree of protection against falling dirt; against hose-directed water and the entry of water during occasional temporary submersion at a limited depth; and that will be undamaged by the external formation of ice on the enclosure.

**Type 6P**— Enclosures constructed for either indoor or outdoor use to provide a degree of protection to personnel against

incidental contact with the enclosed equipment; to provide a degree of protection against falling dirt; against hose-directed water and the entry of water during prolonged submersion at a limited depth; and that will be undamaged by the external formation of ice on the enclosure.

**Type 12**— Enclosures constructed (without knockouts) for indoor use to provide a degree of protection to personnel against incidental contact with the enclosed equipment; to provide a degree of protection against falling dirt; against circulating dust, lint, fibers, and flyings; and against dripping and light splashing of liquids.

**Type 12K**— Enclosures constructed (with knockouts) for indoor use to provide a degree of protection to personnel against incidental contact with the enclosed equipment; to provide a degree of protection against falling dirt; against circulating dust, lint, fibers, and flyings; and against dripping and light splashing of liquids.

**Type 13**— Enclosures constructed for indoor use to provide a degree of protection to personnel against incidental contact with the enclosed equipment; to provide a degree of protection against falling dirt; against circulating dust, lint, fibers, and flyings; and against the spraying, splashing, and seepage of water, oil, and noncorrosive coolants.

### Definitions Pertaining to Hazardous (Classified) Locations\*

**Type 7** enclosures are for use indoors in locations classified as Class I, Groups A, B, C, or D, as defined in the *National Electrical Code*.

**Type 9** enclosures are for use in indoor locations classified in Class II, Groups E, F, or G, as defined in the *National Electrical Code*.

NEMA Enclosure Ratings

Type of Enclosure	Type 1 Type 5	Type 2	Type 3 Type 3R Type 3S	Type 4	Type 6	Type 12 Type 12K Type 13
WYS	✓	✓	✓	✓		✓
WYL	✓	✓	✓	✓		✓
WYF	✓	✓	✓	✓	✓	✓
WYW	✓	✓	✓	✓		✓
WYU	✓	✓	✓	✓		✓
WYR	✓	✓	✓	✓		✓
WYT	✓	✓				
WYC	✓	✓				

\* Refer to Catalog Section K for Hazardous Location Cast Junction Boxes.

## W Series Cast Boxes: Options

This table shows the optional items available on the different types of enclosures shown in this section. When not furnished as standard equipment the cost must be added to the base price of the box.

**Lettering on Covers** can be furnished. These are usually engraved letters and can be applied to the cover of any type box.

Options*	TYPE OF ENCLOSURE									
	WYS	WYL	WYF	WYW	WYU	WYR	WYT	WY58E	WYC	WYNY
Slip Holes	✓	✓	✓	✓	✓	✓	✓	NA	✓	NA
Drill & Tap Holes	✓	✓	✓	✓	✓	✓	✓	NA	✓	NA
Bosses Only	✓	✓	✓	✓	✓	✓	✓	NA	✓	NA
Drilled & Tapped Boss	✓	✓	✓	✓	✓	✓	✓	NA	✓	NA
Mtg. Lugs	✓	✓	✓	✓	✓	✓	✓	NA	✓	NA
Mtg. Buttons	✓	✓	✓	✓	✓	✓	✓	NA	✓	NA
Mtg. Plates*	✓	✓	✓	✓	✓	✓	✓	NA	✓	NA
Hinges	NA	NA	NA	S	✓	NA	NA	NA	S	NA
Drain & Breather	✓	✓	✓	✓	✓	NA	NA	NA	NA	NA
Hasp (for padlock)	NA	NA	NA	✓	✓	NA	NA	NA	NA	NA

✓ Available option - at additional charge.

S - Furnished as standard equipment - at no additional charge

NA - Not permitted on this type of enclosure by NEMA and Underwriters Laboratories, Inc. standards and specifications, or basic construction of box will not allow or require this item.

\* See ordering details for options on pages C7-C10.

### The following information should be given on all box orders:

#### Catalog Number and Inside Dimensions

(L x W x D) should be specified.

**Sketch** showing size and location of conduit entrances should be furnished similar to Drilling Template, Fig. 2, page C-8. Tables on page C-8 give recommended spacing between conduits and minimum distance from corner and back of box. When spacings are not specified, they will be located at our discretion.

#### Conduit Entrances – See Fig. 1, page C-7.

#### Slip Holes:

These are clearance holes for conduit. No threads provided. Conduits are usually fastened in slip holes by means of locknuts and bushings. **STANDARD LOCKNUT SPACINGS MUST BE ALLOWED BETWEEN THE CONDUITS.** See table on page C-8.

#### Drilled and Tapped Holes:

These are threaded holes provided in the enclosure wall into which the conduit is screwed. To meet UL requirements, they must conform to the following:

Enclosures for use in Non-hazardous Locations must have a wall thickness of not less than 1/4" at the tapped holes for the conduit and there shall not be less than 3-1/2 threads in the metal.

Compare the wall thickness shown in the listing of these enclosures with the chart below to determine the number of threads which the box wall will provide for the various conduit sizes. If more threads are required, please order a Bossed, Drilled and Tapped hole.

#### Wall Thickness and Maximum Conduit Size, Inches

Conduit Size	No. of Threads Per Inch	Wall Thickness Required	
		3 1/2 Threads	5 Threads
3/8"	18	7/32**	9/32
1/2" to 3/4"	14	1/4	3/8
1" to 2"	11 1/2	5/16	7/16
2-1/2" to 4"	8	7/16	5/8

\*\* 1/4" min. wall thickness must be provided

#### Bossed Drilled and Tapped Holes:

These are holes threaded thru the box wall and a boss (or pad) which has been added at the location of the conduit entrance to provide added wall thickness for additional thread engagement (5 threads standard).

**Mounting Lugs** (See Fig. 1, page C-7) are provided on all surface mounted boxes over 100 cubic inches of internal volume to meet NEC Section 314.23(E). Boxes 100 cubic inches or less may be supported by two or more conduits threaded into the enclosure, or by optional mounting lugs. All mounting

lugs will be located on the long sides of the box, unless otherwise specified. Refer to page C-10 for dimensional data.

**Mounting Buttons** (See Fig. 1 on page C-7) for mounting equipment off the back of the box can be furnished located on standard centers and blind D and T for 1/4" - 20 screws. If special mounting button arrangement is required furnish a sketch showing layout including the size of the mounting screws. Please use the drilling template provided on page C-9.

**Covers** other than standard, must be specified if required.

**Gaskets** other than standard must be specified if required.

## W Series Cast Boxes: Options

### Additional Cost Items

#### Drilling & Tapping

Applies to: Types WYS, WYL, WYF, WYW-T, WYT, WYC, WYU, WYR

Conduit Size (Inches)	Drilling Only Slip Hole	Drilling & Tapping No Boss	Boss Only 5 Threads w/o Hole	Boss for 5 Threads and Tapping
	Catalog Number	Catalog Number	Catalog Number	Catalog Number
3/8	ASH-38	ADT-38	ABWH-38	ABDT-38
1/2	ASH-50	ADT-50	ABWH-50	ABDT-50
3/4	ASH-75	ADT-75	ABWH-75	ABDT-75
1	ASH-100	ADT-100	ABWH-100	ABDT-100
1 1/4	ASH-125	ADT-125	ABWH-125	ABDT-125
1 1/2	ASH-150	ADT-150	ABWH-150	ABDT-150
2	ASH-200	ADT-200	ABWH-200	ABDT-200
2 1/2	ASH-250	ADT-250	ABWH-250	ABDT-250
3	ASH-300	ADT-300	ABWH-300	ABDT-300
3 1/2	ASH-350	ADT-350	ABWH-350	ABDT-350
4	ASH-400	ADT-400	ABWH-400	ABDT-400
4 1/2	ASH-450	ADT-450	ABWH-450	ABDT-450
5	ASH-500	ADT-500	ABWH-500	ABDT-500
6	ASH-600	ADT-600	ABWH-600	ABDT-600

#### Hinges

Type	Box Size	Catalog Number	Number of Hinges Per Set
Stainless Steel	Up to 12" x 12"	AHNG-22SS	2
Butt Type	Up to 18" x 18"	AHNG-23SS	2
For WYU Boxes	Larger than 18" x 18"	AHNG-33SS	3

**Hasps** Hot dip galvanized steel (lock not Included)

Box Size	Catalog Number
Up to 12" x 12"	AHSP-13SG
Larger than 12" x 12"	AHSP-15SG

#### Optional Mounting Lugs with Bolt Holes

Max. Box Size	No. of Lugs	Number
Sizes up to 6"L x 4"W	2 4	A2-ML-0604 A4-ML-0604
Sizes 6"L x 6"W Up to 12"L x 4"W	2 4	A2-ML-1204 A4-ML-1204
Sizes 12"L x 6"W Up to 18"L x 16"W	2 4	A2-ML-1816 A4-ML-1816
Sizes 18"L x 18"W and larger	4	A4-ML-3636

Mounting lugs are standard equipment on surface mounted boxes over 100 cubic inches of internal volume at no additional charge.

**Combination Drain & Breather Fittings** D&T and installation included

Size (Inches)	Catalog Number
3/8"	AMDB-38
1/2"	AMDB-50

#### Interior Mounting Buttons

Quantity Per Box	Catalog Number
1	A1-MBT
2	A2-MBT
3	A3-MBT
4	A4-MBT

Standard tapped blind for 1/2" - 20 thread. Specify if other than 1/2"-20 thread required.

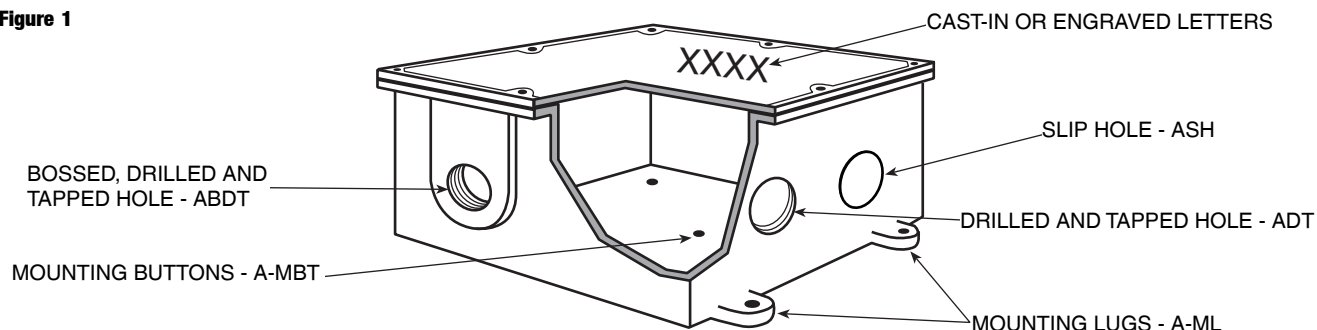
#### Grounding Kits

Catalog Number	Wire Capacity Al-Cu Tinned Copper
AGK-04	#14-4 AWG
AGK-10	8-1/0 AWG
AGK-25	6 AWG-250kcmil

#### Letters Engraved on Box Covers

Description	Catalog Number
Up to 10 letters, one line	AENGRAVE-1
Up to 20 letters, two lines	AENGRAVE-2

Figure 1



## Ordering Information for W Series Cast Junction Boxes

### Minimum Recommended Spacing Between Conduit Openings

Allowance made for clearance over locknuts and bushings

When unions are used, additional space must be allowed.

Table shows minimum distances between conduit opening centerlines in various size combinations. For example, if 1-1/2" and 3/4" openings are to be drilled and tapped on one side of box, the minimum spacing between centerlines would be 2-1/8".

#### Space Between Centers of Conduit (Inches)

Size of Conduit	4	3-1/2	3	2-1/2	2	1-1/2	1-1/4	1	3/4	1/2
1/2	3-5/8	3-3/8	3	2-5/8	2-3/8	2	1-7/8	1-3/4	1-5/8	1-1/2
3/4	3-3/4	3-1/2	3-1/8	2-3/4	2-1/2	2-1/8	2	1-7/8	1-3/4	
1	4	3-5/8	3-1/4	3	2-5/8	2-3/8	2-1/4	2		
1-1/4	4-1/8	3-7/8	3-1/2	3-1/8	2-7/8	2-1/2	2-3/8			
1-1/2	4-1/4	4	3-5/8	3-1/4	3	2-5/8				
2	4-5/8	4-1/4	3-7/8	3-5/8	3-1/4					
2-1/2	4-7/8	4-5/8	4-1/4	3-7/8						
3	5-3/8	5	4-5/8							
3-1/2	5-5/8	5-1/4								
4	5-7/8									

#### Locknut

Diameter	1.13	1.38	1.75	2.25	2.56	3.19	3.50	4.19	4.75	5.38
----------	------	------	------	------	------	------	------	------	------	------

#### BBU Bushing

Diameter	1.06	1.31	1.56	1.94	2.19	2.69	3.19	3.88	4.38	4.88
----------	------	------	------	------	------	------	------	------	------	------

#### BU Bushing

Diameter	1.13	1.25	1.63	2.06	2.31	2.94	3.25	3.88	4.56	5.06
----------	------	------	------	------	------	------	------	------	------	------

#### UNY/UNF (R)

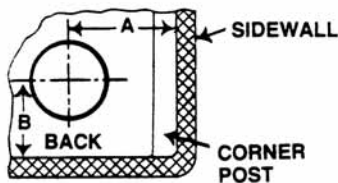
Union	1.50	1.75	2.00	2.81	3.06	3.75	4.94	5.44	5.94	6.50
-------	------	------	------	------	------	------	------	------	------	------

#### Conduit

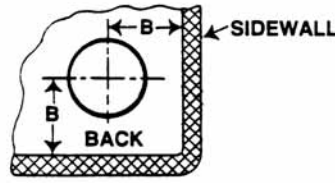
Diameter	0.88	1.06	1.38	1.69	1.94	2.38	2.88	3.50	4.00	4.50
----------	------	------	------	------	------	------	------	------	------	------

### Minimum Allowable Spacing from Back and Sides

Allowance made for clearance over locknuts and bushings



Types WYS, WYL,  
WYW, WYT and WYC

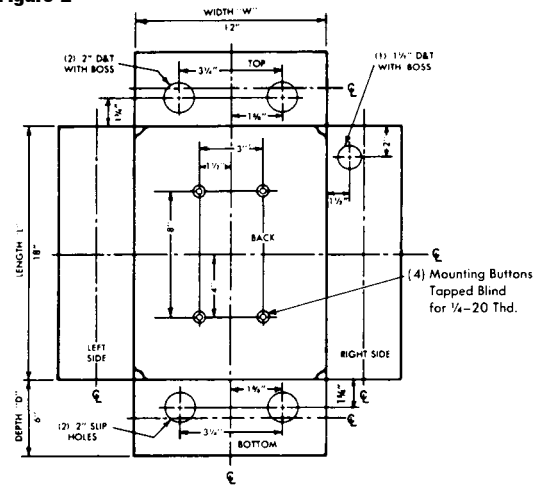


Types WYF, WYR,  
WYU and WY58E

#### Conduit

Size	1/2"	3/4"	1"	1-1/4"	1-1/2"	2"	2-1/2"	3"	3-1/2"	4"
Dim. "A"	1-1/4	1-3/8	1-5/8	1-7/8	2	2-3/8	2-5/8	3	3-1/4	3-5/8
Dim. "B"	1	1	1-1/8	1-3/8	1-1/2	1-3/4	2-1/8	2-1/2	2-7/8	3-1/8

Figure 2.



Drilling template on page C-9 can be copied and used to transmit information regarding conduit entries, mounting lugs, mounting plates, or any other options or specifications. The view is looking into the box with sides laid down. Doors are hinged on the right side, when required, which is the length, when no other instructions are given. Unless otherwise specified, all openings will be located in centerline of walls and evenly spaced.

When optional Mounting Buttons are ordered, dimensions for spacing MUST be given, otherwise will be spaced per our discretion.

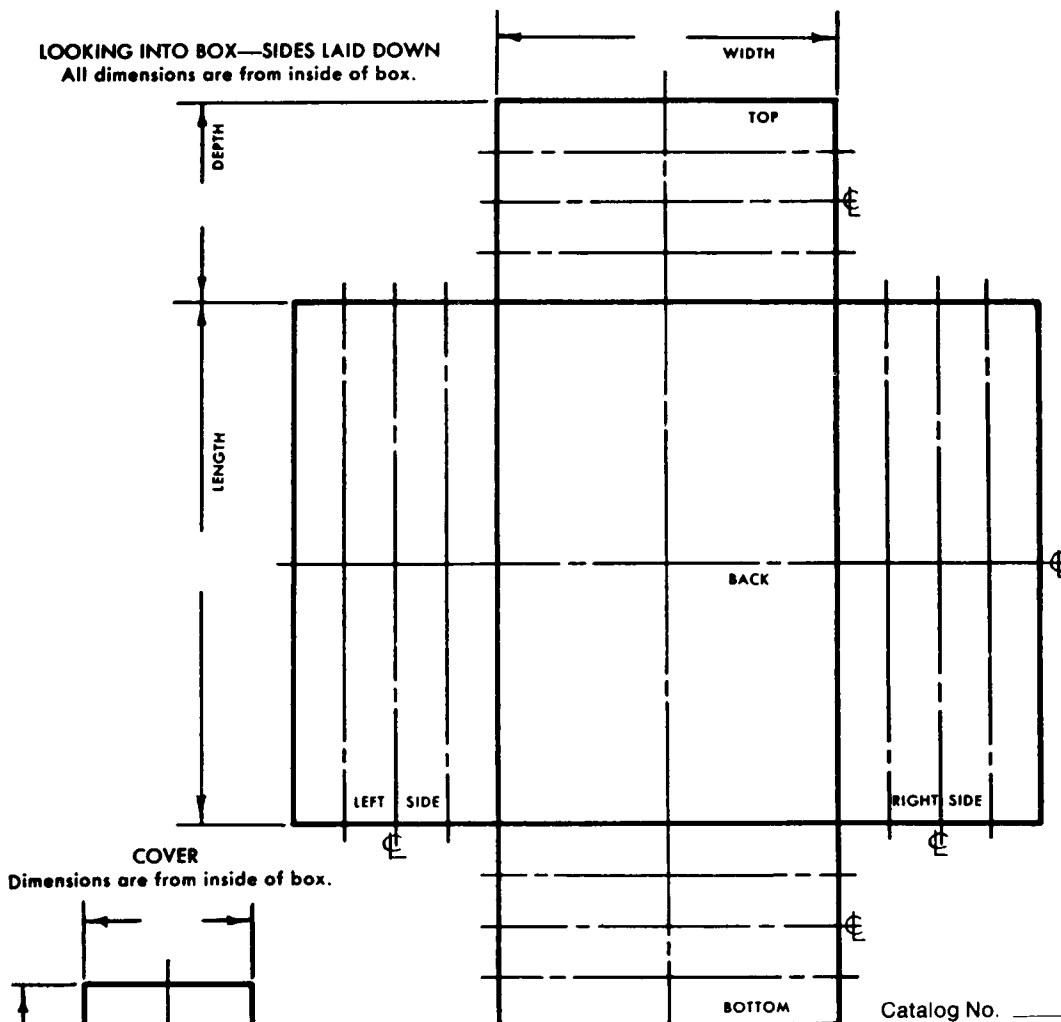


## Drilling Template for Cast Junction Boxes

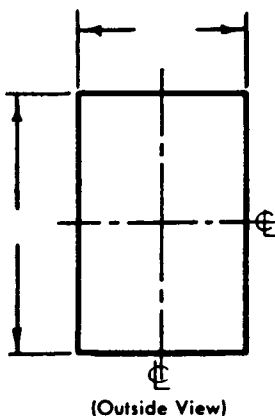
FOR COPIER REPRODUCTION OR COMPUTER SCANNING. PLEASE SEND TO YOUR LOCAL REPRESENTATIVE FOR QUOTATION OR ORDER CONFIRMATION.

Distributor \_\_\_\_\_ Order No. \_\_\_\_\_  
 For \_\_\_\_\_ Date \_\_\_\_\_  
 Req. No. \_\_\_\_\_ Mark Box \_\_\_\_\_

LOOKING INTO BOX—SIDES LAID DOWN  
 All dimensions are from inside of box.



COVER  
 Dimensions are from inside of box.



**Gasket**  
 Standard (Neoprene)   
 Other \_\_\_\_\_

**Drilling Data**  
 NOTE: If location of openings are not definitely dimensioned, they will be located at our discretion.  
 Slip-hole Only   
 Drilled and Tapped   
 Drilled and Tapped with Boss   
 Boss Only

Catalog No. \_\_\_\_\_  
 Quantity \_\_\_\_\_  
 Material: Cast Iron — H. D. G   
 Cast Aluminum — —

**Mounting Lugs**  
 NOTE: Mounting Lugs are provided on all surface-mount boxes over 100 cubic inches internal volume. See Page C-6 and box catalog page.  
 Req'd  Not Req'd   
 Standard Spacing  — See Page C-10  
 Special Spacing  — Locate on template

ADDITIONAL SPECIFICATIONS \_\_\_\_\_

\_\_\_\_\_ Dwg. No. \_\_\_\_\_

COMPANY/LOCATION \_\_\_\_\_ SIGNATURE \_\_\_\_\_ PRINT NAME \_\_\_\_\_

## Mounting Lug Data for W Series Cast Boxes

### For Cast Iron & Cast Aluminum Boxes

Types WYS, WYL, WYW,  
WYU, & WYW-T  
Refer to Fig. 1

Box Size in Inches L x W	Dimension in Inches		Bolt Hole Dia. in Inches D
	A	B	
4 x 4	3	5 <sup>5</sup> / <sub>16</sub>	5 <sup>5</sup> / <sub>16</sub>
5 x 5	4	6 <sup>1</sup> / <sub>2</sub>	5 <sup>5</sup> / <sub>16</sub>
6 x 4	5	5 <sup>5</sup> / <sub>16</sub>	5 <sup>5</sup> / <sub>16</sub>
6 x 6	4	7 <sup>5</sup> / <sub>8</sub>	3 <sup>5</sup> / <sub>8</sub>
7 x 5	5	6 <sup>1</sup> / <sub>2</sub>	3 <sup>5</sup> / <sub>8</sub>
8 x 4	5	5 <sup>5</sup> / <sub>8</sub>	3 <sup>5</sup> / <sub>8</sub>
8 x 6	5	7 <sup>5</sup> / <sub>8</sub>	3 <sup>5</sup> / <sub>8</sub>
8 x 8	5	9 <sup>1</sup> / <sub>4</sub>	3 <sup>5</sup> / <sub>8</sub>
9 x 6	6	7 <sup>5</sup> / <sub>8</sub>	3 <sup>5</sup> / <sub>8</sub>
10 x 4	7	5 <sup>5</sup> / <sub>8</sub>	3 <sup>5</sup> / <sub>8</sub>
10 x 5	7	6 <sup>5</sup> / <sub>8</sub>	3 <sup>5</sup> / <sub>8</sub>
10 x 6	7	7 <sup>5</sup> / <sub>8</sub>	3 <sup>5</sup> / <sub>8</sub>
10 x 8	7	9 <sup>1</sup> / <sub>4</sub>	3 <sup>5</sup> / <sub>8</sub>
10 x 10	7	11 <sup>1</sup> / <sub>4</sub>	3 <sup>5</sup> / <sub>8</sub>
12 x 4	8	5 <sup>5</sup> / <sub>8</sub>	3 <sup>5</sup> / <sub>8</sub>
12 x 6	8	8 <sup>1</sup> / <sub>2</sub>	7 <sup>1</sup> / <sub>16</sub>
12 x 8	8	10 <sup>1</sup> / <sub>2</sub>	7 <sup>1</sup> / <sub>16</sub>
12 x 10	8	12 <sup>1</sup> / <sub>2</sub>	7 <sup>1</sup> / <sub>16</sub>
12 x 12	8	14 <sup>1</sup> / <sub>2</sub>	7 <sup>1</sup> / <sub>16</sub>
14 x 8	10	10 <sup>1</sup> / <sub>2</sub>	7 <sup>1</sup> / <sub>16</sub>
14 x 10	10	12 <sup>1</sup> / <sub>2</sub>	7 <sup>1</sup> / <sub>16</sub>
14 x 14	10	16 <sup>1</sup> / <sub>2</sub>	7 <sup>1</sup> / <sub>16</sub>
15 x 6	11	8 <sup>5</sup> / <sub>8</sub>	7 <sup>1</sup> / <sub>16</sub>
15 x 8	11	10 <sup>5</sup> / <sub>8</sub>	7 <sup>1</sup> / <sub>16</sub>
15 x 9	11	11 <sup>1</sup> / <sub>2</sub>	7 <sup>1</sup> / <sub>16</sub>
15 x 10	11	12 <sup>1</sup> / <sub>2</sub>	7 <sup>1</sup> / <sub>16</sub>
16 x 4	12	6 <sup>1</sup> / <sub>2</sub>	7 <sup>1</sup> / <sub>16</sub>
16 x 10	12	12 <sup>1</sup> / <sub>2</sub>	7 <sup>1</sup> / <sub>16</sub>

Types WYS, WYL, WYW,  
WYU, & WYW-T  
Refer to Fig. 1

Box Size in Inches L x W	Dimension in Inches		Bolt Hole Dia. in Inches D
	A	B	
16 x 12	12	14 <sup>1</sup> / <sub>2</sub>	7 <sup>1</sup> / <sub>16</sub>
16 x 16	12	18 <sup>1</sup> / <sub>2</sub>	7 <sup>1</sup> / <sub>16</sub>
18 x 6	13	8 <sup>1</sup> / <sub>2</sub>	7 <sup>1</sup> / <sub>16</sub>
18 x 8	13	10 <sup>1</sup> / <sub>2</sub>	7 <sup>1</sup> / <sub>16</sub>
18 x 12	13	14 <sup>1</sup> / <sub>2</sub>	7 <sup>1</sup> / <sub>16</sub>
18 x 14	13	16 <sup>5</sup> / <sub>8</sub>	7 <sup>1</sup> / <sub>16</sub>
18 x 16	13	18 <sup>5</sup> / <sub>8</sub>	7 <sup>1</sup> / <sub>16</sub>
18 x 18	13	20 <sup>5</sup> / <sub>8</sub>	9 <sup>1</sup> / <sub>16</sub>
20 x 10	15	12 <sup>5</sup> / <sub>8</sub>	9 <sup>1</sup> / <sub>16</sub>
20 x 20	15	22 <sup>5</sup> / <sub>8</sub>	9 <sup>1</sup> / <sub>16</sub>
24 x 8	19	10 <sup>3</sup> / <sub>4</sub>	9 <sup>3</sup> / <sub>32</sub>
24 x 12	19	14 <sup>3</sup> / <sub>4</sub>	9 <sup>3</sup> / <sub>32</sub>
24 x 16	19	18 <sup>3</sup> / <sub>4</sub>	9 <sup>3</sup> / <sub>32</sub>
24 x 18	19	20 <sup>3</sup> / <sub>4</sub>	9 <sup>3</sup> / <sub>32</sub>
24 x 20	19	22 <sup>3</sup> / <sub>4</sub>	9 <sup>1</sup> / <sub>16</sub>
24 x 24	19	26 <sup>5</sup> / <sub>8</sub>	9 <sup>1</sup> / <sub>16</sub>
28 x 12	22	14 <sup>7</sup> / <sub>8</sub>	9 <sup>1</sup> / <sub>16</sub>
30 x 8	24	10 <sup>3</sup> / <sub>4</sub>	9 <sup>1</sup> / <sub>16</sub>
30 x 18	24	21	9 <sup>1</sup> / <sub>16</sub>
30 x 24	24	14 <sup>7</sup> / <sub>8</sub>	9 <sup>1</sup> / <sub>16</sub>
34 x 30	28	32 <sup>5</sup> / <sub>8</sub>	9 <sup>1</sup> / <sub>16</sub>
36 x 6	30	8 <sup>5</sup> / <sub>8</sub>	9 <sup>1</sup> / <sub>16</sub>
36 x 12	30	14 <sup>5</sup> / <sub>8</sub>	9 <sup>1</sup> / <sub>16</sub>
36 x 18	30	21	9 <sup>1</sup> / <sub>16</sub>
36 x 24	30	26 <sup>5</sup> / <sub>8</sub>	9 <sup>1</sup> / <sub>16</sub>
36 x 30	30	32 <sup>5</sup> / <sub>8</sub>	9 <sup>1</sup> / <sub>16</sub>
36 x 36	30	38 <sup>5</sup> / <sub>8</sub>	9 <sup>1</sup> / <sub>16</sub>
48 x 6	42	8 <sup>5</sup> / <sub>8</sub>	9 <sup>1</sup> / <sub>16</sub>

Types WYF, & WYR  
Refer to Fig. 1

Box Size in Inches L x W	Dimension in Inches		Bolt Hole Dia. in Inches D
	A	B	
4 x 4	3	5 <sup>5</sup> / <sub>8</sub>	5 <sup>5</sup> / <sub>16</sub>
5 x 5	4	6 <sup>5</sup> / <sub>8</sub>	5 <sup>5</sup> / <sub>16</sub>
6 x 4	5	5 <sup>5</sup> / <sub>8</sub>	5 <sup>5</sup> / <sub>16</sub>
6 x 6	4	7 <sup>1</sup> / <sub>2</sub>	3 <sup>5</sup> / <sub>8</sub>
8 x 4	5	5 <sup>1</sup> / <sub>2</sub>	3 <sup>5</sup> / <sub>8</sub>
8 x 6	5	7 <sup>5</sup> / <sub>8</sub>	3 <sup>5</sup> / <sub>8</sub>
8 x 8	5	9 <sup>5</sup> / <sub>8</sub>	3 <sup>5</sup> / <sub>8</sub>
10 x 6	7	7 <sup>5</sup> / <sub>8</sub>	3 <sup>5</sup> / <sub>8</sub>
10 x 8	7	9 <sup>1</sup> / <sub>4</sub>	3 <sup>5</sup> / <sub>8</sub>
10 x 10	7	11 <sup>5</sup> / <sub>8</sub>	3 <sup>5</sup> / <sub>8</sub>
12 x 4	8	5 <sup>5</sup> / <sub>8</sub>	3 <sup>5</sup> / <sub>8</sub>
12 x 6	8	8 <sup>5</sup> / <sub>8</sub>	7 <sup>1</sup> / <sub>16</sub>
12 x 8	8	10 <sup>5</sup> / <sub>8</sub>	7 <sup>1</sup> / <sub>16</sub>
12 x 10	8	12 <sup>5</sup> / <sub>8</sub>	7 <sup>1</sup> / <sub>16</sub>
12 x 12	8	14 <sup>5</sup> / <sub>8</sub>	7 <sup>1</sup> / <sub>16</sub>
14 x 8	10	10 <sup>5</sup> / <sub>8</sub>	7 <sup>1</sup> / <sub>16</sub>
14 x 14	10	16 <sup>1</sup> / <sub>2</sub>	7 <sup>1</sup> / <sub>16</sub>
16 x 12	12	14 <sup>1</sup> / <sub>2</sub>	7 <sup>1</sup> / <sub>16</sub>
16 x 16	12	18 <sup>1</sup> / <sub>2</sub>	7 <sup>1</sup> / <sub>16</sub>
18 x 6	13	8 <sup>1</sup> / <sub>2</sub>	7 <sup>1</sup> / <sub>16</sub>
18 x 8	13	10 <sup>1</sup> / <sub>2</sub>	7 <sup>1</sup> / <sub>16</sub>
18 x 12	13	14 <sup>3</sup> / <sub>8</sub>	7 <sup>1</sup> / <sub>16</sub>
18 x 18	13	20 <sup>5</sup> / <sub>8</sub>	9 <sup>1</sup> / <sub>16</sub>
24 x 12	19	14 <sup>3</sup> / <sub>8</sub>	9 <sup>1</sup> / <sub>16</sub>
24 x 18	19	20 <sup>5</sup> / <sub>8</sub>	9 <sup>1</sup> / <sub>16</sub>
24 x 24	19	26 <sup>5</sup> / <sub>8</sub>	9 <sup>1</sup> / <sub>16</sub>
28 x 12	22	14 <sup>3</sup> / <sub>4</sub>	9 <sup>1</sup> / <sub>16</sub>
30 x 24	24	26 <sup>5</sup> / <sub>8</sub>	9 <sup>1</sup> / <sub>16</sub>
36 x 18	30	20 <sup>5</sup> / <sub>8</sub>	9 <sup>1</sup> / <sub>16</sub>
36 x 24	30	26 <sup>5</sup> / <sub>8</sub>	9 <sup>1</sup> / <sub>16</sub>
36 x 36	30	38 <sup>5</sup> / <sub>8</sub>	9 <sup>1</sup> / <sub>16</sub>

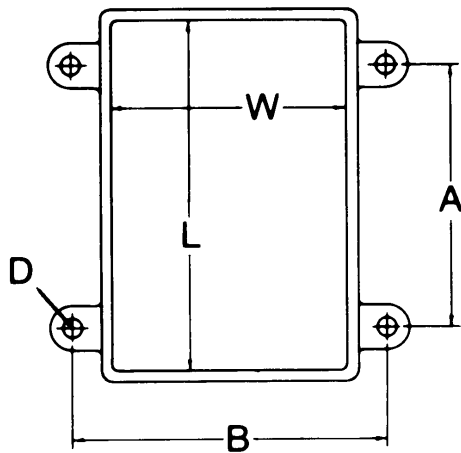


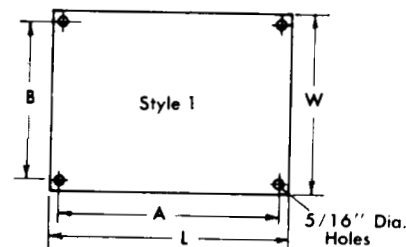
Fig. 1

The dimensions listed in these tables are approximate and may vary as much as 1/8" in any direction. If closer tolerances are required or if other locations of the mounting lugs are desired, specify on the order or drawing.

## Mounting Plate Information for W Series and EXB<sup>†</sup> and DTX<sup>†</sup> Series Junction Boxes

Mounting plates are used for mounting equipment up off the back of an enclosure. Steel Plates are all 1/8" thick hot dip galvanized material. Aluminum plates are 1/8" thick material up to and including 12" x 12" size. All larger sizes are constructed of 3/16" thick aluminum plate.

For mounting plates in smaller boxes than listed, use similar catalog number logic. Example: A steel mounting plate for a WYF-040403 box would be WYM-0404-1. Pricing will be based upon a WYM-0808-1 price



THE CATALOG NUMBER SHOWN IN THE TABLE BELOW INCLUDES THE MOUNTING BUTTONS.

Select mounting plates based on inside length and width of box. Order as a separate item immediately following the Catalog Number of the box as follows:

Example: Line 1 W Y S - 0 8 0 8 0 4  
Line 2 W Y M - 0 8 0 8 - 2

Inside Length & Width of Junction Box in Inches	Catalog Number – Steel Plates		Catalog Number – Aluminum Plates		Style	Dimension in Inches			
	For use in Types WYF, WYR DTX & EXB Junction Boxes <sup>†</sup>	For use in Types WYS WYL & WYW Junction Boxes	For use in Types WYF, WYR DTX & EXB Junction Boxes <sup>†</sup>	For use in Types WYS WYL & WYW Junction Boxes		L	W	A	B
8 x 8	WYM-0808-1	WYM-0808-2	WYM-0808-1A	WYM-0808-2A	1	6-3/4 6	6-3/4 6	6 5-1/4	6 5-1/4
10 x 8	WYM-1008-1	WYM-1008-2	WYM-1008-1A	WYM-1008-2A	1	8-3/4 8	6-3/4 6	8 7-1/4	8 5-1/4
10 x 10	WYM-1010-1	WYM-1010-2	WYM-1010-1A	WYM-1010-2A	1	8-3/4 8	8-3/4 8	8 7-1/4	8 7-1/4
12 x 8	WYM-1208-1	WYM-1208-2	WYM-1208-1A	WYM-1208-2A	1	10-3/4 10	6-3/4 6	10 9-1/4	6 5-1/4
12 x 10	WYM-1210-1	WYM-1210-2	WYM-1210-1A	WYM-1210-2A	1	10-3/4 10	8-3/4 8	10 9-1/4	8 5-1/4
12 x 12	WYM-1212-1	WYM-1212-2	WYM-1212-1A	WYM-1212-2A	1	10-3/4 10	10-3/4 10	10 9-1/4	10 9-1/4
14 x 8	WYM-1408-1	WYM-1408-2	WYM-1408-1A	WYM-1408-2A	1	12-3/4 12	6-3/4 6	12 11-1/4	6 5-1/4
14 x 14	WYM-1414-1	WYM-1414-2	WYM-1414-1A	WYM-1414-2A	1	12-3/4 12	12-3/4 12	12 11-1/4	12 11-1/4
16 x 8	WYM-1608-1	WYM-1608-2	WYM-1608-1A	WYM-1608-2A	1	14-3/4 12	6-3/4 6	14 11-1/4	6 5-1/4
16 x 12	WYM-1612-1	WYM-1612-2	WYM-1612-1A	WYM-1612-2A	1	14-3/4 14	10-3/4 10	14 13-1/4	10 9-1/4
16 x 16	WYM-1616-1	WYM-1616-2	WYM-1616-1A	WYM-1616-2A	1	14-3/4 14	14-3/4 14	14 13-1/4	14 13-1/4
18 x 8	WYM-1808-1	WYM-1808-2	WYM-1808-1A	WYM-1808-2A	1	16-3/4 16	6-3/4 6	16 15-1/4	6 5-1/4
18 x 10	WYM-1810-1	WYM-1810-2	WYM-1810-1A	WYM-1818-2A	1	16-3/4 16	8-3/4 8	16 15-1/4	8 7-1/4
18 x 12	WYM-1812-1	WYM-1812-2	WYM-1812-1A	WYM-1812-2A	1	16-3/4 16	10-3/4 10	16 15-1/4	10 9-1/4
18 x 14	WYM-1814-1	WYM-1814-2	WYM-1814-1A	WYM-1814-2A	1	16-3/4 16	12-3/4 12	16 15-1/4	12 11-1/4
18 x 16	--	WYM-1816-2	--	WYM-1816-2A	1	-- 16	-- 14	-- 15-1/4	-- 13-1/4
18 x 18	WYM-1818-1	WYM-1818-2	WYM-1818-1A	WYM-1818-2A	1	16-3/4 16	16-3/4 16	16 15-1/4	16 15-1/4
20 x 10	WYM-2010-1	WYM-2020-2	WYM-2010-1A	WYM-2020-2A	1	18-3/4 18	8-3/4 8	18 17-1/4	8 7-1/4

<sup>†</sup> Refer to Catalog Section K for EXB and DTX Boxes.

## Mounting Plate Information for W Series and EXB<sup>†</sup> and DTX<sup>†</sup> Series Junction Boxes

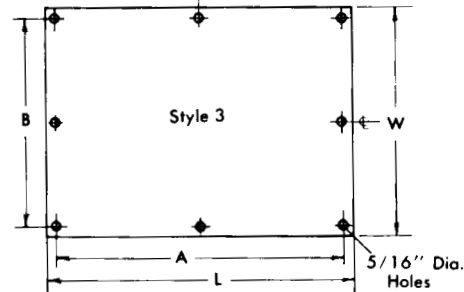
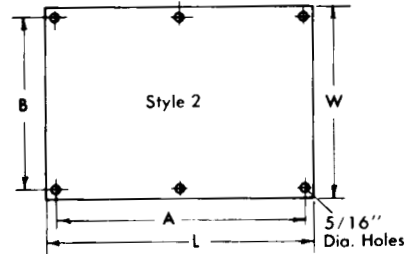
Continued from preceding page.

Mounting plates are used for mounting equipment up off the back of an enclosure. Steel Plates are all 1/8" thick hot dip galvanized material. Aluminum plates are 1/8" thick material up to and including 12" x 12" size. All larger sizes are constructed of 3/16" thick aluminum plate.

Select mounting plates based on inside length and width of box. Order as a separate item immediately following the Catalog Number of the box as follows:

Example:  
WYS-080804 WYM-0808-2

THE CATALOG NUMBER SHOWN IN THE TABLE BELOW INCLUDES THE MOUNTING BUTTONS.



Inside Length & Width of Junction Box in Inches	Catalog Number – Steel Plates		Catalog Number – Aluminum Plates		Style	Dimension in Inches			
	For use in Types WYF, WYR, DTX & EXB Junction Boxes <sup>†</sup>	For use in Types WYS WYL & WYW Junction Boxes	For use in Types WYF, WYR, DTX & EXB Junction Boxes <sup>†</sup>	For use in Types WYS WYL & WYW Junction Boxes		L	W	A	B
24 x 12	WYM-2412-1	WYM-2412-1	WYM-2412-1A	WYM-2412-1A	2	21-3/4	9-3/4	21	9
24 x 18	WYM-2418-1	WYM-2418-1	WYM-2418-1A	WYM-2418-1A	2	21-3/4	15-3/4	21	15
24 x 24	WYM-2424-1	WYM-2424-1	WYM-2424-1A	WYM-2424-1A	3	21-3/4	21-3/4	21	21
28 x 12	WYM-2812-1	WYM-2812-1	WYM-2812-1A	WYM-2812-1A	2	25-3/4	9-3/4	25	9
30 x 12	WYM-3012-1	WYM-3012-1	WYM-3012-1A	WYM-3012-1A	2	27-3/4	9-3/4	27	9
30 x 18	WYM-3018-1	WYM-3018-1	WYM-3018-1A	WYM-3018-1A	2	27-3/4	15-3/4	27	15
30 x 24	WYM-3024-1	WYM-3024-1	WYM-3024-1A	WYM-3024-1A	3	27-3/4	21-3/4	27	21
36 x 12	WYM-3612-1	WYM-3612-1	WYM-3612-1A	WYM-3612-1A	2	33-3/4	9-3/4	33	9
36 x 18	WYM-3618-1	WYM-3618-1	WYM-3618-1A	WYM-3618-1A	2	33-3/4	15-3/4	33	15
36 x 24	WYM-3624-1	WYM-3624-1	WYM-3624-1A	WYM-3624-1A	3	33-3/4	21-3/4	33	21
36 x 30	WYM-3630-1	WYM-3630-1	WYM-3630-1A	WYM-3630-1A	3	33-3/4	27-3/4	33	27
36 x 36	WYM-3636-1	WYM-3636-1	WYM-3636-1A	WYM-3636-1A	3	33-3/4	33-3/4	33	33

<sup>†</sup> Refer to Catalog Section K for EXB and DTX Boxes.

## NEMA 3R and 4

## W Series: WYS Type Unflanged Junction or Pull Boxes

Cast Iron or Aluminum Box For Surface Mounting. Raintight - Watertight.

### Applications

- These boxes are general purpose enclosures suitable for use indoors or outdoors.

### Features

- † Mounting Lugs are standard on boxes over 100 cubic inches internal volume, and optional on boxes 100 cubic inches or less. See pages C-6, C-7, and C-10 for additional information and ordering instructions.
- Type WYS boxes have a post in each corner and allowances must be made for them when conduit entrances are to be located close to a corner.
- Neoprene gasket, attached to cover.
- Suitable for a variety of applications.
- Wide selection of sizes and locations for drilled-and-tapped and slip-hole conduit entrances.
- Choice of locations for blind tapped holes in Interior Mounting Buttons (optional).

### Standard Materials

- Cast iron box and cover.
- Neoprene gasket.
- Stainless steel cover screws.

### Standard Finishes

- Box and cover: Hot Dip Galvanized.

### Options

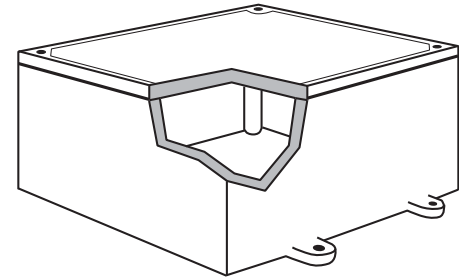
- Available in aluminum. Add suffix "A" to catalog number.

### Other Options

Refer to pages C6- C12.

### Compliances

- UL Listed: Type 4 Raintight .
- UL Standard: 514A, 50.
- NEMA 250-1997 Type 3R and 4.



Iron Catalog Number	Aprox. Wall Thick.*	Inside Dim. (inches) L x W x D	Iron Catalog Number	Aprox. Wall Thick.*	Inside Dim. (inches) L x W x D	Iron Catalog Number	Aprox. Wall Thick.*	Inside Dim. (inches) L x W x D
WYS-040402†	5/32	4 x 4 x 2	WYS-100808	5/16	10 x 8 x 8	WYS-150808	5/16	15 x 8 x 8
WYS-040403†	3/16	4 x 4 x 3	WYS-100810	11/32	10 x 8 x 9-1/2	WYS-150904	1/4	15 x 9 x 4
WYS-040404†	3/16	4 x 4 x 4	WYS-101003	3/16	10 x 10 x 3	WYS-150906	9/32	15 x 9 x 6
WYS-050503†	3/16	5 x 5 x 3	WYS-101004	7/32	10 x 10 x 4	WYS-151006	9/32	15 x 10 x 6
WYS-050504†	3/16	5 x 5 x 4	WYS-101005	1/4	10 x 10 x 5	WYS-160404	7/32	16 x 4 x 4
WYS-060403†	3/16	6 x 4 x 3	WYS-101006	1/4	10 x 10 x 6	WYS-161006	9/32	16 x 10 x 6
WYS-060404†	3/16	6 x 4 x 4	WYS-120404	7/32	12 x 4 x 4	WYS-161008	5/16	16 x 10 x 8
WYS-060602†	3/16	6 x 6 x 2	WYS-120406	9/32	12 x 4 x 6	WYS-161204	1/4	16 x 12 x 4
WYS-060603	3/16	6 x 6 x 3	WYS-120603	3/16	12 x 6 x 3	WYS-161206	9/32	16 x 12 x 6
WYS-060604	3/16	6 x 6 x 4	WYS-120604	7/32	12 x 6 x 4	WYS-161208	5/16	16 x 12 x 8
WYS-060605	7/32	6 x 6 x 5	WYS-120606	9/32	12 x 6 x 6	WYS-161606	9/32	16 x 16 x 6
WYS-060606	1/4	6 x 6 x 6	WYS-120804	7/32	12 x 8 x 4	WYS-161612	11/32	16 x 16 x 12
WYS-060610	9/32	6 x 6 x 9-1/2	WYS-120806	9/32	12 x 8 x 6	WYS-161616	11/32	16 x 16 x 16
WYS-070503	3/16	7 x 5 x 3	WYS-120808	5/16	12 x 8 x 8	WYS-180604	1/4	18 x 6 x 4
WYS-080403†	3/16	8 x 4 x 3	WYS-121004	1/4	12 x 10 x 4	WYS-180606	9/32	18 x 6 x 6
WYS-080404	7/32	8 x 4 x 4	WYS-121005	1/4	12 x 10 x 5	WYS-180806	9/32	18 x 8 x 6
WYS-080603	3/16	8 x 6 x 3	WYS-121006	1/32	12 x 10 x 6	WYS-180808	5/16	18 x 8 x 8
WYS-080604	7/32	8 x 6 x 4	WYS-121008	5/16	12 x 10 x 8	WYS-181204	1/4	18 x 12 x 4
WYS-080605	7/32	8 x 6 x 5	WYS-121203	3/16	12 x 12 x 3	WYS-181206	9/32	18 x 12 x 6
WYS-080606	1/4	8 x 6 x 6	WYS-121204	1/4	12 x 12 x 4	WYS-181208	5/16	18 x 12 x 8
WYS-080803	3/16	8 x 8 x 3	WYS-121206	9/32	12 x 12 x 6	WYS-181210	3/8	18 x 12 x 10
WYS-080804	7/32	8 x 8 x 4	WYS-121208	5/16	12 x 12 x 8	WYS-181212	7/16	18 x 12 x 12
WYS-080805	7/32	8 x 8 x 5	WYS-121210	1/32	12 x 12 x 10	WYS-181406	9/32	18 x 14 x 6
WYS-080806	1/4	8 x 8 x 6	WYS-121212	3/8	12 x 12 x 12	WYS-181408	5/16	18 x 14 x 8
WYS-080808	5/16	8 x 8 x 8	WYS-140804	1/4	14 x 8 x 4	WYS-181606	9/32	18 x 16 x 6
WYS-090603	3/16	9 x 6 x 3	WYS-140806	9/32	14 x 8 x 6	WYS-181608	5/16	18 x 16 x 8
WYS-090604	7/32	9 x 6 x 4	WYS-141006	9/32	14 x 10 x 6	WYS-181804	5/16	18 x 18 x 4
WYS-100403	3/16	10 x 4 x 3	WYS-141008	5/16	14 x 10 x 8	WYS-181806	5/16	18 x 18 x 6
WYS-100406	1/4	10 x 4 x 6	WYS-141406	9/32	14 x 14 x 6	WYS-181808	11/32	18 x 18 x 8
WYS-100504	7/32	10 x 5 x 4	WYS-141408	5/16	14 x 14 x 8	WYS-181810	3/8	18 x 18 x 10
WYS-100604	7/32	10 x 6 x 4	WYS-141410	11/32	14 x 14 x 10	WYS-181812	7/16	18 x 18 x 12
WYS-100605	1/4	10 x 6 x 5	WYS-150604	1/4	15 x 6 x 4	WYS-181818	7/16	18 x 18 x 18
WYS-100606	9/32	10 x 6 x 6						
WYS-100804	7/32	10 x 8 x 4						
WYS-100805	1/4	10 x 8 x 5						
WYS-100806	9/32	10 x 8 x 6						

\* Measured 2" up from back of box.

† Mounting lugs are optional.

## W Series: WYL Type Overlapping Cover Boxes

Cast Iron or Aluminum Box for Surface Mounting. Watertight - Raintight.

### Applications

- These overlapping cover boxes are listed by Underwriters Laboratories, Inc. as Type 4.
- They are suitable for use outdoors, or where they would be subjected to rain, dripping or splashing of water .

### Features

- † Mounting Lugs are standard on boxes over 100 cubic inches internal volume, and optional on boxes 100 cubic inches or less. See pages C-6, C-7, and C-10 for additional information and ordering instructions.
- Type WYL boxes have a post in each corner and allowances must be made for them when conduit entrances are to be located close to a corner.
- Flat, neoprene gasket attached to cover.
- Wide selection of sizes and locations for drilled-and-tapped and slip-hole conduit entrances.
- Choices of locations for blind tapped holes in Interior Mounting Buttons (optional).

### Standard Materials

- Cast Iron box and cover.
- Neoprene gasket.
- Stainless steel cover screws.

### Standard Finishes

- Box and cover: Hot Dip Galvanized.

### Options

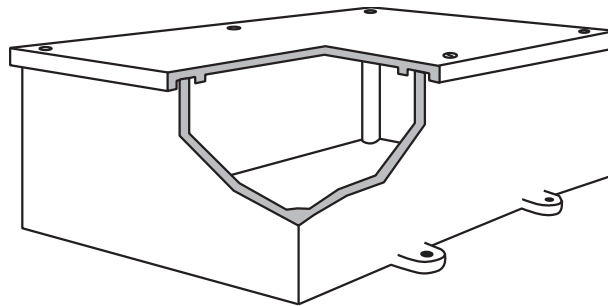
- Available in aluminum. Add suffix "A" to catalog number.

### Other Options

Refer to pages C6- C12.

### Compliances

- UL Listed Type 4 Raintight .
- UL Standard: 514A, 50.
- NEMA 250-1997 Type 3R and 4 .



NEMA 3R and 4

## W Series: WYL Type Overlapping Cover Boxes

Cast Iron or Aluminum Box for Surface Mounting. Watertight - Raintight.

Iron Catalog Number	Aprox. Wall Thick.*	Inside Dim. (inches) L x W x D	Iron Catalog Number	Aprox. Wall Thick.*	Inside Dim. (inches) L x W x D	Iron Catalog Number	Aprox. Wall Thick.*	Inside Dim. (inches) L x W x D
WYL-040403†	3/16	4 x 4 x 3	WYL-100604	7/32	10 x 6 x 4	WYL-121206	9/32	12 x 12 x 6
WYL-040404†	3/16	4 x 4 x 4	WYL-100605	1/4	10 x 6 x 5	WYL-121208	5/16	12 x 12 x 8
WYL-050503†	3/16	5 x 5 x 3	WYL-100606	9/32	10 x 6 x 6	WYL-121210	11/32	12 x 12 x 10
WYL-050504†	3/16	5 x 5 x 4	WYL-100804	7/32	10 x 8 x 4	WYL-121212	3/8	12 x 12 x 12
WYL-060403†	3/16	6 x 4 x 3	WYL-100805	1/4	10 x 8 x 5	WYL-140804	1/4	14 x 8 x 4
WYL-060404†	3/16	6 x 4 x 4	WYL-100806	9/32	10 x 8 x 6	WYL-140806	9/32	14 x 8 x 6
WYL-060603	3/16	6 x 6 x 3	WYL-100808	5/16	10 x 8 x 8	WYL-141006	9/32	14 x 10 x 6
WYL-060604	3/16	6 x 6 x 4	WYL-100810	11/32	10 x 8 x 9-1/2	WYL-141008	5/16	14 x 10 x 8
WYL-060605	7/32	6 x 6 x 5	WYL-101003	3/16	10 x 10 x 3	WYL-141406	9/32	14 x 14 x 6
WYL-060606	1/4	6 x 6 x 6	WYL-101004	7/32	10 x 10 x 4	WYL-141408	5/16	14 x 14 x 8
WYL-060610	9/32	6 x 6 x 9-1/2	WYL-101005	1/4	10 x 10 x 5	WYL-141410	11/32	14 x 14 x 10
WYL-080403†	3/16	8 x 4 x 3	WYL-101006	1/4	10 x 10 x 6	WYL-150604	1/4	15 x 6 x 4
WYL-080404	7/32	8 x 4 x 4	WYL-120603	3/16	12 x 6 x 3	WYL-150808	5/16	15 x 8 x 8
WYL-080603	3/16	8 x 6 x 3	WYL-120604	7/32	12 x 6 x 4	WYL-150904	1/4	15 x 9 x 4
WYL-080604	7/32	8 x 6 x 4	WYL-120606	9/32	12 x 6 x 6	WYL-150906	9/32	15 x 9 x 6
WYL-080605	7/32	8 x 6 x 5	WYL-120804	7/32	12 x 8 x 4	WYL-151006	9/32	15 x 10 x 6
WYL-080606	1/4	8 x 6 x 6	WYL-120806	9/32	12 x 8 x 6	WYL-161006	9/32	16 x 10 x 6
WYL-080803	3/16	8 x 8 x 3	WYL-120808	5/16	12 x 8 x 8	WYL-161008	5/16	16 x 10 x 8
WYL-080804	7/32	8 x 8 x 4	WYL-121004	1/4	12 x 10 x 4	WYL-161204	1/4	16 x 12 x 4
WYL-080805	7/32	8 x 8 x 5	WYL-121005	1/4	12 x 10 x 5			
WYL-080806	1/4	8 x 8 x 6	WYL-121006	9/32	12 x 10 x 6			
WYL-080808	5/16	8 x 8 x 8	WYL-121008	5/16	12 x 10 x 8			
WYL-090603	3/16	9 x 6 x 3	WYL-121203	3/16	12 x 12 x 3			
WYL-090604	7/32	9 x 6 x 4	WYL-121204	1/4	12 x 12 x 4			
WYL-161206	9/32	16 x 12 x 6	WYL-241606	9/32	24 x 16 x 6			
WYL-161208	5/16	16 x 12 x 8	WYL-241608	11/32	24 x 16 x 8			
WYL-161606	9/32	16 x 16 x 6	WYL-241806	5/16	24 x 18 x 6			
WYL-180604	1/4	18 x 6 x 4	WYL-241808	11/32	24 x 18 x 8			
WYL-180606	9/32	18 x 6 x 6	WYL-241810	3/8	24 x 18 x 10			
WYL-180806	9/32	18 x 8 x 6	WYL-241812	7/16	24 x 18 x 12			
WYL-180808	5/16	18 x 8 x 8	WYL-242406	5/16	24 x 24 x 6			
WYL-181204	1/4	18 x 12 x 4	WYL-242408	11/32	24 x 24 x 8			
WYL-181206	9/32	18 x 12 x 6	WYL-242410	3/8	24 x 24 x 10			
WYL-181208	5/16	18 x 12 x 8	WYL-242412	7/16	24 x 24 x 12			
WYL-181210	3/8	18 x 12 x 10	WYL-281206	5/16	28 x 12 x 6			
WYL-181212	7/16	18 x 12 x 12	WYL-281208	3/8	28 x 12 x 8			
WYL-181406	9/32	18 x 14 x 6	WYL-300806	9/32	30 x 8 x 6			
WYL-181408	5/16	18 x 14 x 8	WYL-300808	11/32	30 x 8 x 8			
WYL-181606	9/32	18 x 16 x 6	WYL-301808	11/32	30 x 18 x 8			
WYL-181608	5/16	18 x 16 x 8	WYL-301812	7/16	30 x 18 x 12			
WYL-181806	5/16	18 x 18 x 6	WYL-301814	1/2	30 x 18 x 14			
WYL-181808	11/32	18 x 18 x 8	WYL-302406	11/32	30 x 24 x 6			
WYL-181810	3/8	18 x 18 x 10	WYL-302408	3/8	30 x 24 x 8			
WYL-181812	7/16	18 x 18 x 12	WYL-302412	7/16	30 x 24 x 12			
WYL-201006	9/32	20 x 10 x 6	WYL-360606	9/32	36 x 6 x 6			
WYL-201008	5/16	20 x 10 x 8	WYL-361208	7/16	36 x 12 x 8			
WYL-202006	5/16	20 x 20 x 6	WYL-361212	11/32	36 x 12 x 12			
WYL-240806	9/32	24 x 8 x 6	WYL-361808	7/16	36 x 18 x 8			
WYL-240808	11/32	24 x 8 x 8	WYL-362408	11/32	36 x 24 x 8			
WYL-241206	9/32	24 x 12 x 6	WYL-362412	7/16	36 x 24 x 12			
WYL-241208	5/16	24 x 12 x 8	WYL-363608	3/8	36 x 36 x 8			
WYL-241212	7/16	24 x 12 x 12	WYL-363612	7/16	36 x 36 x 12			

\* Measured 2" up from back of box.

† Mounting lugs are optional.

## W Series: WYF Type Flat Flanged Boxes – Submersible‡

Cast Iron or Aluminum Box for Surface Mounting.  
Watertight, Raintight, Dust Tight.

### Applications

- These boxes have been listed by Underwriters' Laboratories, Inc. as a Type 4 enclosure.
- They are also suitable for use indoors or outdoors where they would be subjected to splashing water, seepage of water, falling or hose directed water and severe external condensation.

### ‡ Submersible Applications

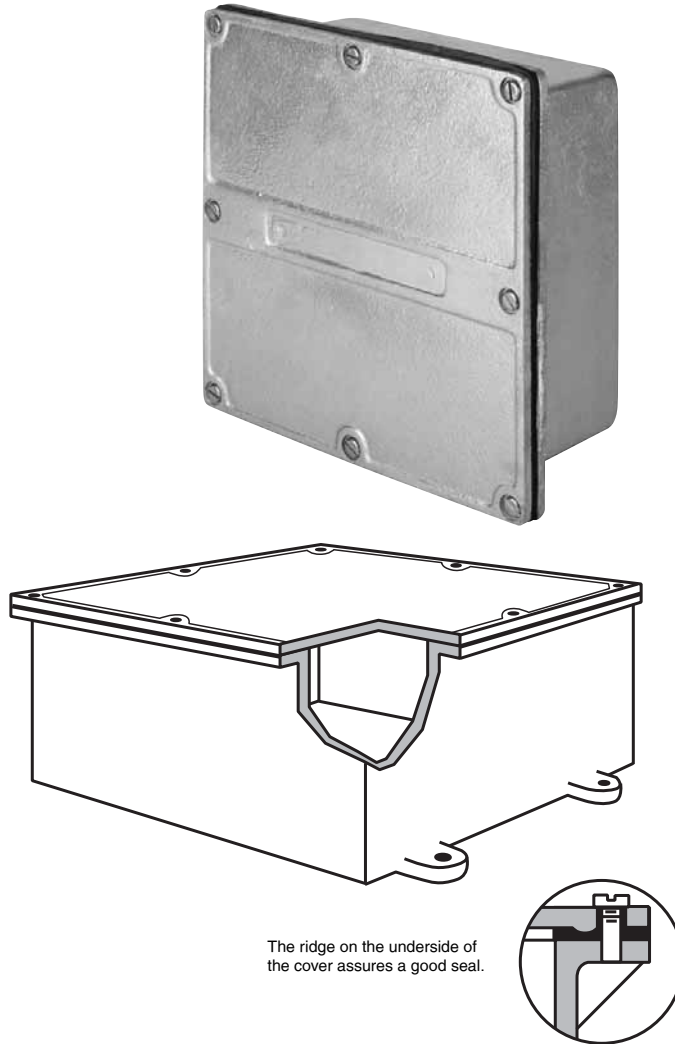
- These boxes can be tested to withstand occasional submersion under a **6** foot head of water for 30 minutes (NEMA **6** requirements). Add suffix **-SUB6** to catalog number
- These boxes can be tested to withstand **P**rolonged submersion under a 6 foot head of water for 24 hours (NEMA **6P** requirements). Add suffix **-SUB6P** to catalog number.
- These boxes can be tested to withstand submersion up to a 20-foot head of water. Add suffix **-SUB\_\_\_** to catalog number, filling in the blank space with the number of feet from 7 up to 20, followed by **P** if Prolonged submersion is required.
- All WYF-SUB enclosures are subject to a price addition on application and must have:
  1. Mounting Lugs
  2. Bossed, drilled, and tapped conduit entrances (ABDT series).

### Features

- † Mounting Lugs are standard on boxes over 100 cubic inches internal volume, and optional on boxes 100 cubic inches or less. See pages C-6, C-7, and C-10 for additional information and ordering instructions.
- Wide flange provides greater contact between gasketed cover and box.
- Enclosed and gasketed construction-neoprene gasket attached to cover.
- Flange ground before galvanizing.
- Choices of locations for blind tapped holes in Interior Mounting Buttons (optional).

### Standard Materials

- Cast iron box and cover
- Neoprene gasket
- Stainless steel cover screws



The ridge on the underside of the cover assures a good seal.

### Standard Finishes

- Box and cover: Hot Dip Galvanized.

### Options

- Available in aluminum. Add suffix "A" to catalog number.

### Other Options

Refer to pages C6- C12.

### Compliances

- UL Listed Type 4
- UL Standard: 514A, 50
- NEMA 4,6<sup>+</sup>,6P<sup>+</sup>



NEMA 4, 6<sup>‡</sup>, 6P<sup>‡</sup>

## W Series: WYF Type Flat Flanged Boxes – Submersible

Cast Iron or Aluminum Box for Surface Mounting.  
Watertight, Raintight, Dust Tight.

Iron Catalog Number	Aprox. Wall Thick.*	Inside Dim. (inches) L x W x D
WYF-040403†	5/32	4 x 4 x 3
WYF-040404†	5/32	4 x 4 x 4
WYF-050504†	3/16	5 x 5 x 4
WYF-060403†	5/32	6 x 4 x 3
WYF-060404†	5/32	6 x 4 x 4
WYF-060603	3/16	6 x 6 x 3
WYF-060604	7/32	6 x 6 x 4
WYF-060606	7/32	6 x 6 x 6
WYF-080403†	3/16	8 x 4 x 3
WYF-080404	3/16	8 x 4 x 4
WYF-080603	7/32	8 x 6 x 3
WYF-080604	7/32	8 x 6 x 4
WYF-080606	7/32	8 x 6 x 6
WYF-080804	7/32	8 x 8 x 4
WYF-080806	1/4	8 x 8 x 6
WYF-080808	1/4	8 x 8 x 8
WYF-100604	7/32	10 x 6 x 4
WYF-100606	7/32	10 x 6 x 6
WYF-100804	1/4	10 x 8 x 4
WYF-100806	1/4	10 x 8 x 6
WYF-100808	1/4	10 x 8 x 8
WYF-101004	1/4	10 x 10 x 4
WYF-101006	1/4	10 x 10 x 6
WYF-101008	1/4	10 x 10 x 8

Iron Catalog Number	Aprox. Wall Thick.*	Inside Dim. (inches) L x W x D
WYF-120404	1/4	12 x 4 x 4
WYF-120604	1/4	12 x 6 x 4
WYF-120606	1/4	12 x 6 x 6
WYF-120804	1/4	12 x 8 x 4
WYF-120806	1/4	12 x 8 x 6
WYF-120808	1/4	12 x 8 x 8
WYF-121004	1/4	12 x 10 x 4
WYF-121006	1/4	12 x 10 x 6
WYF-121008	1/4	12 x 10 x 8
WYF-121204	1/4	12 x 12 x 4
WYF-121206	1/4	12 x 12 x 6
WYF-121207	5/16	12 x 12 x 7
WYF-121208	5/16	12 x 12 x 8
WYF-121210	5/16	12 x 12 x 10
WYF-121212	5/16	12 x 12 x 12
WYF-140804	1/4	14 x 8 x 4
WYF-140806	1/4	14 x 8 x 6
WYF-140808	1/4	14 x 8 x 8
WYF-141406	5/16	14 x 14 x 6
WYF-141408	5/16	14 x 14 x 8
WYF-141410	5/16	14 x 14 x 10
WYF-161204	9/32	16 x 12 x 4
WYF-161206	9/32	16 x 12 x 6
WYF-161208	9/32	16 x 12 x 8

Iron Catalog Number	Aprox. Wall Thick.*	Inside Dim. (inches) L x W x D
WYF-161606	5/16	16 x 16 x 6
WYF-180606	9/32	18 x 6 x 6
WYF-180804	9/32	18 x 8 x 4
WYF-180806	9/32	18 x 8 x 6
WYF-181204	1/4	18 x 12 x 4
WYF-181206	9/32	18 x 12 x 6
WYF-181208	5/16	18 x 12 x 8
WYF-181210	5/16	18 x 12 x 10
WYF-181212	5/16	18 x 12 x 12
WYF-181818	11/32	18 x 18 x 18
WYF-181806	5/16	18 x 18 x 6
WYF-181808	5/16	18 x 18 x 8
WYF-181810	5/16	18 x 18 x 10
WYF-181812	5/16	18 x 18 x 12
WYF-241206	5/16	24 x 12 x 6
WYF-241208	5/16	24 x 12 x 8
WYF-241212	5/16	24 x 12 x 12
WYF-241806	11/32	24 x 18 x 6
WYF-241808	11/32	24 x 18 x 8
WYF-241810	11/32	24 x 18 x 10
WYF-241812	11/32	24 x 18 x 12
WYF-241818	11/32	24 x 18 x 18
WYF-242406	11/32	24 x 24 x 6
WYF-242408	11/32	24 x 24 x 8

Iron Catalog Number	Aprox. Wall Thick.*	Inside Dim. (inches) L x W x D
WYF-242410	3/8	24 x 24 x 10
WYF-242412	3/8	24 x 24 x 12
WYF-242424	3/8	24 x 24 x 24
WYF-281208	3/8	28 x 12 x 8
WYF-281212	3/8	28 x 12 x 12
WYF-302408	3/8	30 x 24 x 8
WYF-302410	3/8	30 x 24 x 10
WYF-302412	3/8	30 x 24 x 12
WYF-302418	3/8	30 x 24 x 18
WYF-361806	3/8	36 x 18 x 6
WYF-361808	3/8	36 x 18 x 8
WYF-361812	3/8	36 x 18 x 12
WYF-361818	3/8	36 x 18 x 18
WYF-362418	13/32	36 x 24 x 18
WYF-363608	7/16	36 x 36 x 8
WYF-363610		36 x 36 x 10
WYF-363612	7/16	36 x 36 x 12
WYF-363618	7/16	36 x 36 x 18

\* Measured 2" up from back of box.

† Mounting lugs are optional.

## W Series: WYW Type Hinged Cover Boxes

Cast Iron or Aluminum Box for Surface Mounting.  
Watertight, Raintight, Dust Tight.

### Applications

- These Hinged Cover Boxes make ideal enclosures where equipment within the box has to be inspected frequently or easy access is required.
- The hinges are adjusted at the factory for proper gasket pressure, but can be readjusted in the field.

### Features

- † Mounting Lugs are standard on boxes over 100 cubic inches internal volume, and optional on boxes 100 cubic inches or less. See pages C-6, C-7, and C-10 for additional information and ordering instructions.
- Hinges are always located on the long side of the box and unless otherwise specified on the right side.
- Hinged cover for easy access to wiring for inspection and maintenance.
- Three-rivet anchoring of hinges and bolt/wingnut fasteners.
- Type WYW Boxes have a post in each corner and allowances must be made for them when conduit entrances are to be located close to a corner.
- Flat, neoprene gasket attached to cover.
- Wide selection of sizes and locations for drilled-and-tapped and slip-hole conduit entrances.
- Choices of locations for blind tapped holes in Interior Mounting Buttons (optional).

### Standard Materials

- Cast Iron box and cover.
- Neoprene gasket.
- Stainless steel cover screws.

### Standard Finishes

- Box and cover: Hot Dip Galvanized.

### Options

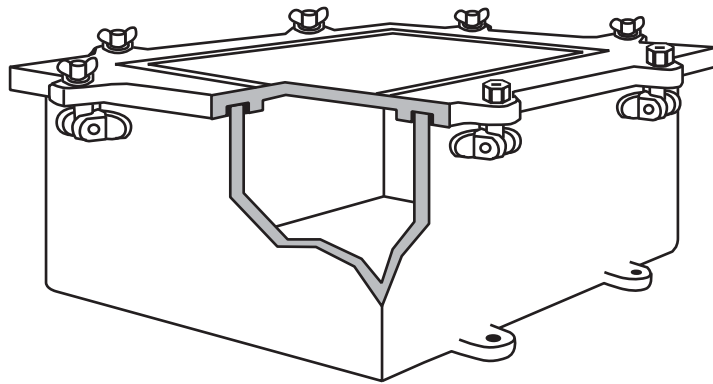
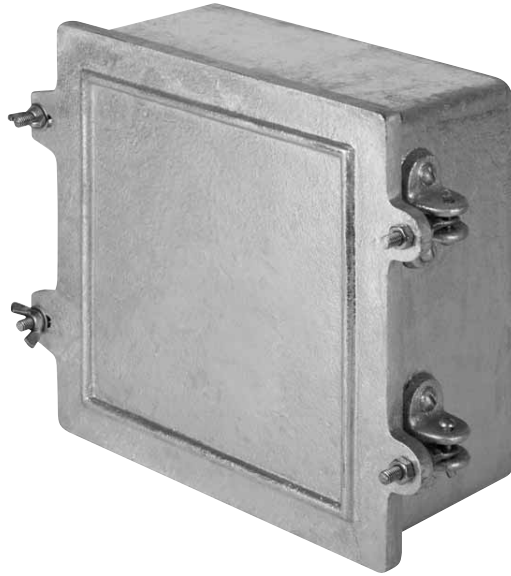
- Available in aluminum. Add suffix "A" to catalog number.

### Other Options

Refer to pages C6- C12.

### Compliances

- UL Listed Type 4.
- UL Standard: 514A, 50.
- NEMA 3R and 4 .



## NEMA 3R and 4

## W Series: WYW Type Hinged Cover Boxes

Cast Iron or Aluminum Box for Surface Mounting.  
Watertight, Raintight, Dust Tight.

Iron Catalog Number	Aprox. Wall Thick.*	Inside Dim. (inches) L x W x D
WYW-050503†	3/16	5 x 5 x 3
WYW-050504†	3/16	5 x 5 x 4
WYW-060403†	3/16	6 x 4 x 3
WYW-060404†	3/16	6 x 4 x 4
WYW-060603	3/16	6 x 6 x 3
WYW-060604	3/16	6 x 6 x 4
WYW-060605	7/32	6 x 6 x 5
WYW-060606	1/4	6 x 6 x 6
WYW-060610	9/32	6 x 6 x 9-1/2
WYW-080403†	3/16	8 x 4 x 3
WYW-080404	7/32	8 x 4 x 4
WYW-080603	3/16	8 x 6 x 3
WYW-080604	7/32	8 x 6 x 4
WYW-080605	7/32	8 x 6 x 5
WYW-080606	1/4	8 x 6 x 6
WYW-080803	3/16	8 x 8 x 3
WYW-080804	7/32	8 x 8 x 4
WYW-080805	7/32	8 x 8 x 5
WYW-080806	1/4	8 x 8 x 6
WYW-080808	5/16	8 x 8 x 8
WYW-090603	3/16	9 x 6 x 3
WYW-090604	7/32	9 x 6 x 4
WYW-100604	7/32	10 x 6 x 4
WYW-100605	1/4	10 x 6 x 5

Iron Catalog Number	Aprox. Wall Thick.*	Inside Dim. (inches) L x W x D
WYW-100606	9/32	10 x 6 x 6
WYW-100804	7/32	10 x 8 x 4
WYW-100805	1/4	10 x 8 x 5
WYW-100806	9/32	10 x 8 x 6
WYW-100808	5/16	10 x 8 x 8
WYW-100810	11/32	10 x 8 x 9-1/2
WYW-101003	3/16	10 x 10 x 3
WYW-101004	7/32	10 x 10 x 4
WYW-101005	1/4	10 x 10 x 5
WYW-101006	1/4	10 x 10 x 6
WYW-120603	3/16	12 x 6 x 3
WYW-120604	7/32	12 x 6 x 4
WYW-120606	9/32	12 x 6 x 6
WYW-120804	7/32	12 x 8 x 4
WYW-120806	9/32	12 x 8 x 6
WYW-120808	5/16	12 x 8 x 8
WYW-121004	1/4	12 x 10 x 4
WYW-121005	1/4	12 x 10 x 5
WYW-121006	11/32	12 x 10 x 6
WYW-121008	5/16	12 x 10 x 8
WYW-121203	3/16	12 x 12 x 3
WYW-121204	1/4	12 x 12 x 4
WYW-121206	9/32	12 x 12 x 6
WYW-121208	5/16	12 x 12 x 8

Iron Catalog Number	Aprox. Wall Thick.*	Inside Dim. (inches) L x W x D
WYW-121210	11/32	12 x 12 x 10
WYW-121212	3/8	12 x 12 x 12
WYW-140804	1/4	14 x 8 x 4
WYW-140806	9/32	14 x 8 x 6
WYW-141006	9/32	14 x 10 x 6
WYW-141008	5/16	14 x 10 x 8
WYW-141406	9/32	14 x 14 x 6
WYW-141408	5/16	14 x 14 x 8
WYW-141410	11/32	14 x 14 x 10
WYW-150604	1/4	15 x 6 x 4
WYW-150808	5/16	15 x 8 x 8
WYW-150904	1/4	15 x 9 x 4
WYW-150906	9/32	15 x 9 x 6
WYW-151006	9/32	15 x 10 x 6
WYW-161006	9/32	16 x 10 x 6
WYW-161008	5/16	16 x 10 x 8
WYW-161204	1/4	16 x 12 x 4
WYW-161206	9/32	16 x 12 x 6
WYW-161208	5/16	16 x 12 x 8
WYW-161606	9/32	16 x 16 x 6
WYW-180604	1/4	18 x 6 x 4
WYW-180606	9/32	18 x 6 x 6
WYW-180806	9/32	18 x 8 x 6
WYW-180808	5/16	18 x 8 x 8

Iron Catalog Number	Aprox. Wall Thick.*	Inside Dim. (inches) L x W x D
WYW-181204	1/4	18 x 12 x 4
WYW-181206	9/32	18 x 12 x 6
WYW-181208	5/16	18 x 12 x 8
WYW-181210	3/8	18 x 12 x 10
WYW-181212	7/16	18 x 12 x 12
WYW-181406	9/32	18 x 14 x 6
WYW-181408	5/16	18 x 14 x 8
WYW-181606	9/32	18 x 16 x 6
WYW-181608	5/16	18 x 16 x 8
WYW-181806	5/16	18 x 18 x 6
WYW-181808	11/32	18 x 18 x 8
WYW-181810	3/8	18 x 18 x 10
WYW-181812	7/16	18 x 18 x 12
WYW-201006	9/32	20 x 10 x 6
WYW-201008	5/16	20 x 10 x 8
WYW-202006	5/16	20 x 20 x 6
WYW-240806	9/32	24 x 8 x 6
WYW-240808	11/32	24 x 8 x 8
WYW-241206	9/32	24 x 12 x 6
WYW-241208	5/16	24 x 12 x 8
WYW-241212	7/16	24 x 12 x 12
WYW-241606	9/32	24 x 16 x 6
WYW-241608	11/32	24 x 16 x 8
WYW-241806	5/16	24 x 18 x 6

Iron Catalog Number	Aprox. Wall Thick.*	Inside Dim. (inches) L x W x D
WYW-241808	11/32	24 x 18 x 8
WYW-241810	3/8	24 x 18 x 10
WYW-241812	7/16	24 x 18 x 12
WYW-242406	5/16	24 x 24 x 6
WYW-242408	11/32	24 x 24 x 8
WYW-242410	3/8	24 x 24 x 10
WYW-242412	7/16	24 x 24 x 12
WYW-242416	1/2	24 x 24 x 16
WYW-281206	5/16	28 x 12 x 6
WYW-281208	3/8	28 x 12 x 8
WYW-281212	7/16	28 x 12 x 12
WYW-300806	9/32	30 x 8 x 6
WYW-300808	11/32	30 x 8 x 8
WYW-301808	11/32	30 x 18 x 8
WYW-301812	7/16	30 x 18 x 12
WYW-301814	1/2	30 x 18 x 14
WYW-302406	11/32	30 x 24 x 6
WYW-302408	3/8	30 x 24 x 8
WYW-302412	7/16	30 x 24 x 12
WYW-360606	9/32	36 x 6 x 6
WYW-361208	7/16	36 x 12 x 8
WYW-361212	11/32	36 x 12 x 12
WYW-361808	7/16	36 x 18 x 8
WYW-362408	11/32	36 x 24 x 8
WYW-362412	7/16	36 x 24 x 12
WYW-363608	3/8	36 x 36 x 8
WYW-363612	7/16	36 x 36 x 12

\* Measured 2" up from back of box.  
† Mounting lugs are optional.

## W Series: WYR Outside Flanged Recessed Cover Boxes

Cast Iron Box for Flush Mounting.  
Watertight, Raintight, Dust Tight.

### Applications

- These recessed cover boxes are listed by Underwriters' Laboratories, Inc. as Type 4.
- They are suitable for use outdoors where they would be subjected to rain or dripping or splashing of water.
- This type of box is designed especially for flush mounting in walls or floors or can be used for surface mounting using optional mounting lugs.

### Features

- Flat, neoprene gasket attached to cover.
- Wide box flange permits greater contact between gasket and box.
- Wide selection of sizes and locations for drilled-and-tapped and slip-hole conduit entrances.
- Choices of locations for blind tapped holes in Interior Mounting Buttons (optional).

### Standard Materials

- Cast iron box and cover
- Neoprene gasket
- Stainless steel cover screws

### Standard Finishes

- Box and cover: Hot Dip Galvanized.

### Options

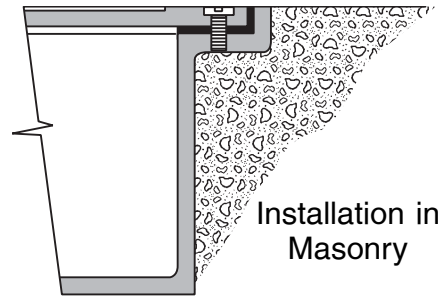
- Available in aluminum. Add suffix "A" to catalog number.
- Steel checkered plate covers suitable for pedestrian traffic add Suffix —**CS**.
- Steel checkered covers suitable for vehicular traffic (H-25 loading) add Suffix —**CSV**.

### Other Options

Refer to pages C6- C12.

### Compliances

- UL Listed Type 4
- UL Standard: 514A, 50
- NEMA 3R and 4



Iron Catalog Number	Aprox. Wall Thick.*	Inside Dim. (inches) L x W x D	Iron Catalog Number	Aprox. Wall Thick.*	Inside Dim. (inches) L x W x D	Iron Catalog Number	Aprox. Wall Thick.*	Inside Dim. (inches) L x W x D
WYR-040403	5/32	4 x 4 x 3	WYR-121008	1/4	12 x 10 x 8	WYR-240808	9/32	24 x 8 x 8
WYR-040404	5/32	4 x 4 x 4	WYR-121010	1/4	12 x 10 x 10	WYR-241206	5/16	24 x 12 x 6
WYR-060403	5/32	6 x 4 x 3	WYR-121204	1/4	12 x 12 x 4	WYR-241208	5/16	24 x 12 x 8
WYR-060404	5/32	6 x 4 x 4	WYR-121206	1/4	12 x 12 x 6	WYR-241210	5/16	24 x 12 x 10
WYR-060603	3/16	6 x 6 x 3	WYR-121208	5/16	12 x 12 x 8	WYR-241212	5/16	24 x 12 x 12
WYR-060604	7/32	6 x 6 x 4	WYR-121210	5/16	12 x 12 x 10	WYR-241806	11/32	24 x 18 x 6
WYR-060606	7/32	6 x 6 x 6	WYR-121212	5/16	12 x 12 x 12	WYR-241808	11/32	24 x 18 x 8
WYR-080403	3/16	8 x 4 x 3	WYR-121218	3/8	12 x 12 x 18	WYR-241810	11/32	24 x 18 x 10
WYR-080404	3/16	8 x 4 x 4	WYR-140804	1/4	14 x 8 x 4	WYR-241812	11/32	24 x 18 x 12
WYR-080604	7/32	8 x 6 x 3	WYR-140806	1/4	14 x 8 x 6	WYR-242406	11/32	24 x 24 x 6
WYR-080604	7/32	8 x 6 x 4	WYR-161204	9/32	16 x 12 x 4	WYR-242408	11/32	24 x 24 x 8
WYR-080606	7/32	8 x 6 x 6	WYR-161206	9/32	16 x 12 x 6	WYR-242410	3/8	24 x 24 x 10
WYR-080804	1/4	8 x 8 x 4	WYR-161208	9/32	16 x 12 x 8	WYR-242412	3/8	24 x 24 x 12
WYR-080806	1/4	8 x 8 x 6	WYR-161408	5/16	16 x 14 x 8	WYR-242418	3/8	24 x 24 x 18
WYR-080808	1/4	8 x 8 x 8	WYR-180606	9/32	18 x 6 x 6	WYR-242424	7/16	24 x 24 x 24
WYR-100604	7/32	10 x 6 x 4	WYR-180806	9/32	18 x 8 x 6	WYR-302408	3/8	30 x 24 x 8
WYR-100606	7/32	10 x 6 x 6	WYR-180808	9/32	18 x 8 x 6	WYR-302410	3/8	30 x 24 x 10
WYR-100806	1/4	10 x 8 x 6	WYR-181008	5/16	18 x 10 x 8	WYR-302412	3/8	30 x 24 x 12
WYR-101004	1/4	10 x 10 x 4	WYR-181204	1/4	18 x 12 x 4	WYR-302418	3/8	30 x 24 x 18
WYR-101006	1/4	10 x 10 x 6	WYR-181206	9/32	18 x 12 x 6	WYR-361806	3/8	36 x 18 x 6
WYR-101008	1/4	10 x 10 x 8	WYR-181208	5/16	18 x 12 x 8	WYR-361808	3/8	36 x 18 x 8
WYR-120604	1/4	12 x 6 x 4	WYR-181210	5/16	18 x 12 x 10	WYR-361812	3/8	36 x 18 x 12
WYR-120606	1/4	12 x 6 x 6	WYR-181212	5/16	18 x 12 x 12	WYR-361818	3/8	36 x 18 x 18
WYR-120804	1/4	12 x 8 x 4	WYR-181218	11/32	18 x 12 x 18	WYR-362410	13/32	36 x 24 x 10
WYR-120806	1/4	12 x 8 x 6	WYR-181806	5/16	18 x 18 x 6	WYR-362418	13/32	36 x 24 x 18
WYR-120808	1/4	12 x 8 x 8	WYR-181808	5/16	18 x 18 x 8	WYR-363608	7/16	36 x 36 x 8
WYR-121004	1/4	12 x 10 x 4	WYR-181810	5/16	18 x 18 x 10	WYR-363610	7/16	36 x 36 x 10
WYR-121006	1/4	12 x 10 x 6	WYR-181812	5/16	18 x 18 x 12	WYR-363612	7/16	36 x 36 x 12
			WYR-201615	3/8	20 x 16 x 15	WYR-363618	7/16	36 x 36 x 18

\* Measured 2" up from back of box.

## NEMA 3R

## W Series: WYU Type Inside Flanged Recessed Cover Boxes

Cast Iron Box for Flush Mounting.  
Raintight, Dust Tight.

### Applications

- These recessed cover boxes are designed for flush mounting in masonry.
- They are furnished with a plain cover as shown but can be supplied with steel checkered plate covers suitable for foot traffic (see options).

### Features

- Flat, neoprene gasket attached to cover.
- Wide selection of sizes and locations for drilled-and-tapped and slip-hole conduit entrances.
- Choices of locations for blind tapped holes in Interior Mounting Buttons (optional).

### Standard Materials

- Cast iron box and plain cover
- Neoprene gasket
- Stainless steel cover screws

### Standard Finishes

- Box and cover: Hot Dip Galvanized.

### Options

- Available in aluminum. Add suffix "A" to catalog number.
- Steel checkered plate covers suitable for pedestrian traffic add Suffix —CS.
- See optional Hinges below.

### Other Options

Refer to pages C6- C12.

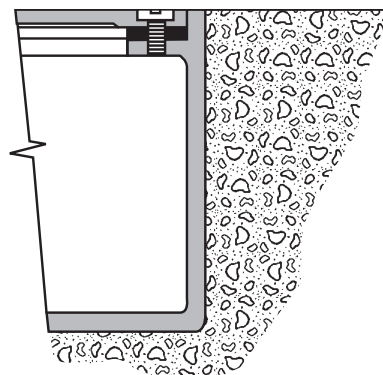
### Compliances

- UL Standard: 514A, 50
- NEMA 3R

### Optional Hinges

(Stainless Steel, Butt Type)

Box Size	Hinges per set	Catalog Number
Up to 12" x 12"	2	AHNG-22SS
Up to 18" x 18"	2	AHNG-23SS
Larger than 18" x 18"	3	AHNG-33SS



Installation in  
Masonry

Iron Catalog Number	Aprox. Wall Thick.*	Inside Dim. (inches) L x W x D
WYU-040402	7/32	4 x 4 x 2
WYU-040403	7/32	4 x 4 x 3
WYU-040404	5/32	4 x 4 x 4
WYU-060403	7/32	6 x 4 x 3
WYU-060404	7/32	6 x 4 x 4
WYU-060604	7/32	6 x 6 x 4
WYU-060606	7/32	6 x 6 x 6
WYU-080404	1/4	8 x 4 x 4
WYU-080604	1/4	8 x 6 x 4
WYU-080606	1/4	8 x 6 x 6
WYU-080804	1/4	8 x 8 x 4
WYU-080806	1/4	8 x 8 x 6
WYU-080808	1/4	8 x 8 x 8
WYU-100604	1/4	10 x 6 x 4
WYU-100605	1/4	10 x 6 x 5
WYU-100804	1/4	10 x 8 x 4
WYU-100806	1/4	10 x 8 x 6
WYU-100808	1/4	10 x 8 x 8
WYU-100811	1/4	10 x 8 x 11
WYU-101004	1/4	10 x 10 x 4
WYU-101006	1/4	10 x 10 x 6
WYU-101008	1/4	10 x 10 x 8
WYU-120604	1/4	12 x 6 x 4
WYU-120606	1/4	12 x 6 x 6
WYU-120804	1/4	12 x 8 x 4
WYU-120806	1/4	12 x 8 x 6
WYU-120808	1/4	12 x 8 x 8
WYU-120811	5/16	12 x 8 x 11

Iron Catalog Number	Aprox. Wall Thick.*	Inside Dim. (inches) L x W x D
WYU-121204	9/32	12 x 12 x 4
WYU-121206	1/4	12 x 12 x 6
WYU-121208	9/32	12 x 12 x 8
WYU-121212	5/16	12 x 12 x 12
WYU-140806	1/4	14 x 8 x 6
WYU-141404	5/16	14 x 14 x 4
WYU-141406	5/16	14 x 14 x 6
WYU-141408	5/16	14 x 14 x 8
WYU-141410	5/16	14 x 14 x 10
WYU-160604	1/4	16 x 6 x 4
WYU-160606	1/4	16 x 6 x 6
WYU-160804	1/4	16 x 8 x 4
WYU-160808	1/4	16 x 8 x 8
WYU-161206	9/32	16 x 12 x 6
WYU-161208	9/32	16 x 12 x 8
WYU-180806	9/32	18 x 8 x 6
WYU-180808	9/32	18 x 8 x 8
WYU-181204	1/4	18 x 12 x 4
WYU-181206	1/4	18 x 12 x 6
WYU-181208	1/4	18 x 12 x 8
WYU-181210	9/32	18 x 12 x 10
WYU-181212	9/32	18 x 12 x 12
WYU-181218	3/8	18 x 12 x 18
WYU-181604	1/4	18 x 16 x 4
WYU-181608	9/32	18 x 16 x 8
WYU-240606	9/32	24 x 6 x 6
WYU-240806	5/16	24 x 8 x 6
WYU-240808	5/16	24 x 8 x 8

\* Measured 2" up from back of box.

## W Series: WYT Type Checkered Cover Sidewalk Boxes

Cast Iron Box for Flush Mounting. Weatherproof.

### Applications

- These boxes are specially designed to be mounted in sidewalks and other flat concrete surfaces. Their checkered covers are made to withstand pedestrian traffic.

- The flanges and covers are interchangeable to permit replacement without disturbing the box or conduit system.

- Heavy checkered steel covers can be furnished which will accommodate vehicular traffic (see options).

### Features

- Type WYT boxes have a post in each corner and allowances must be made for them, when conduit entrances are to be located close to a corner.

- Cross ribbed, heavy duty cover with prybar slots.

- Checkered cover provides non-slip surface.

- Flat, neoprene gasket, attached to cover.

- Wide selection of locations for drilled and tapped and slip hole conduit entrances.

- Choice of locations for blind tapped holes in Interior Mounting Buttons (optional).

### Standard Materials

- Cast iron box, flange and cover.
- Neoprene gasket.
- Stainless steel cover screws.

### Standard Finishes

- Box and cover: Hot Dip Galvanized.

### Options

- Steel checkered covers suitable for vehicular traffic H-25 loading, add suffix —**CSV**.

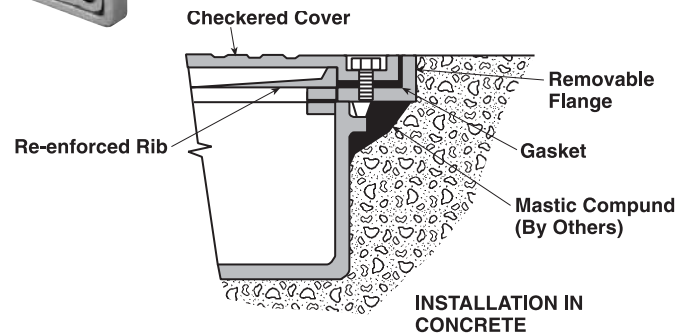
- Engraved lettering on cover per specifications.

### Other Options

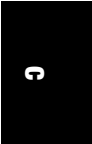
Refer to pages C6- C12.

### Compliances

- UL Standard: 514A, 50



Iron Catalog Number	Aprox. Wall Thick.	Inside Dim. (inches) L x W x D	Iron Catalog Number	Aprox. Wall Thick.	Inside Dim. (inches) L x W x D
WYT-060604	1/4	6 x 6 x 4	WYT-241210	3/8	24 x 12 x 10
WYT-080604	1/4	8 x 6 x 4	WYT-241212	3/8	24 x 12 x 12
WYT-080804	1/4	8 x 8 x 4	WYT-241216	3/8	24 x 12 x 16
WYT-080806	1/4	8 x 8 x 6	WYT-241410	3/8	24 x 14 x 10
WYT-080808	1/4	8 x 8 x 8	WYT-241412	3/8	24 x 14 x 12
WYT-120806	5/16	12 x 8 x 6	WYT-241806	3/8	24 x 18 x 6
WYT-120808	5/16	12 x 8 x 8	WYT-241808	3/8	24 x 18 x 8
WYT-121204	5/16	12 x 12 x 4	WYT-241810	3/8	24 x 18 x 10
WYT-121206	5/16	12 x 12 x 6	WYT-241812	3/8	24 x 18 x 12
WYT-121208	3/8	12 x 12 x 8	WYT-242406	7/16	24 x 24 x 6
WYT-121212	3/8	12 x 12 x 12	WYT-242408	7/16	24 x 24 x 8
WYT-141406	5/16	14 x 14 x 6	WYT-242410	3/8	24 x 24 x 10
WYT-141408	3/8	14 x 14 x 8	WYT-242412	3/8	24 x 24 x 12
WYT-141410	3/8	14 x 14 x 10	WYT-301010	3/8	30 x 10 x 10
WYT-141412	3/8	14 x 14 x 12	WYT-301210	3/8	30 x 12 x 10
WYT-181015	3/8	18 x 10 x 15	WYT-301212	3/8	30 x 12 x 12
WYT-181206	3/8	18 x 12 x 6	WYT-301410	3/8	30 x 14 x 10
WYT-181208	3/8	18 x 12 x 8	WYT-301412	3/8	30 x 14 x 12
WYT-181210	3/8	18 x 12 x 10	WYT-301414	3/8	30 x 14 x 14
WYT-181212	3/8	18 x 12 x 12	WYT-301808	3/8	30 x 18 x 8
WYT-181808	3/8	18 x 18 x 8	WYT-301812	3/8	30 x 18 x 12
WYT-181812	3/8	18 x 18 x 12	WYT-361808	3/8	36 x 18 x 8
WYT-241206	3/8	24 x 12 x 6	WYT-361812	3/8	36 x 18 x 12
WYT-241208	3/8	24 x 12 x 8	WYT-362412	3/8	36 x 24 x 12
			WYT-362414	3/8	36 x 24 x 14



## W Series: WY58E Type Checkered Cover Sidewalk Topping Box

Cast Iron Box for Flush Mounting. Weatherproof.

### Applications

- These open-bottom boxes are designed to top off an underlying concrete pull box.

### Features

- The construction details of the cover and flange are the same as those of a Type WYT.
- Frame and cover are interchangeable and may be replaced if damaged without disturbing the rest of the system.
- Checkered cover provides non-slip surface for pedestrian traffic.
- Cross-ribbed checkered cover with pry bar slots.
- Cover secures to frame with recessed stainless steel hex head cap screws.
- Flat, neoprene gasket, attached to cover.
- Wide selection of locations for drilled and tapped and slip hole conduit entrances.

### Standard Materials

- Cast iron box, flange and cover.
- Neoprene gasket.
- Stainless steel cover screws.

### Standard Finishes

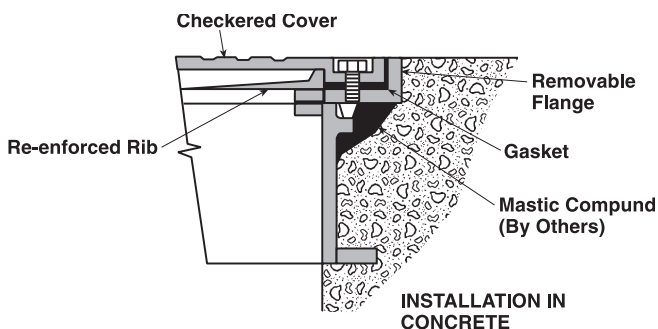
- Box and cover: Hot Dip Galvanized.

### Options

- Engraved lettering on cover per specifications.

### Third Party Certification

- ASTM C-1028 Coefficient of Friction standard



Iron Catalog Number	Aprox. Wall Thick.*	Inside Dim. (inches) L x W x D
WY58E-1212	3/8	12 x 12 x 5
WY58E-1812	3/8	18 x 12 x 5
WY58E-2412	3/8	24 x 12 x 5
WY58E-2418	3/8	24 x 18 x 5
WY58E-2424	3/8	24 x 24 x 5
WY58E-3018	3/8	30 x 18 x 5
WY58E-3618	3/8	36 x 18 x 5
WY58E-3624	3/8	36 x 24 x 5
WY58E-3636	3/8	36 x 36 x 5
WY58E-4224	3/8	42 x 24 x 5

\* Measured 2" up from back of box.

## W Series: WYC Type Box with Hinged Door and Trim Cabinet

Cast Iron Box for Flush Mounting in Walls. Weatherproof.

### Applications

- They are used exterior building walls, bridge construction, underpasses and approaches.
- They may house time switches, relays or other types of equipment.

### Features

- These boxes have ornamental trim for flush mounting in concrete or stone structures.
- Type WYC boxes have a post in each corner and allowances must be made for them, when conduit entrances are to be located close to a corner.

### Standard Materials

- Box: Cast Iron.
- Trim/Door: Cast Iron.
- Neoprene gasket and one piece lead gasket.
- Steel, Zinc Plated, Non-removable hinges.
- Brass cylinder lock with two keys.

### Standard Finishes

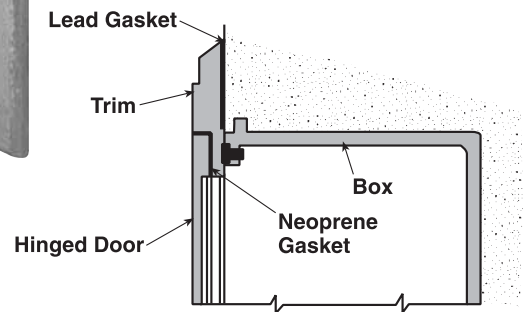
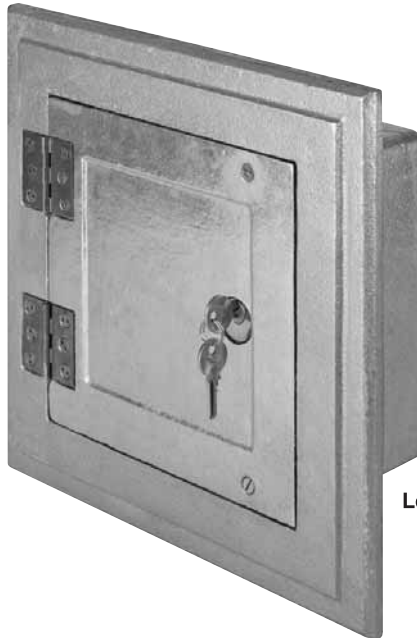
- Box: Hot Dip Galvanized.
- Trim/Door: Hot Dip Galvanized.

### Options

- Lettering cast on cover per specifications at price addition.
- Cast Bronze Trim/Door available at price addition. Add Suffix —B.

### Other Options

- Refer to pages C6-C12.

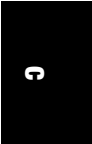


INSTALLATION IN WALL

Iron Catalog Number	Approx. Wall Thick.*	Inside Dim. (inches) L x W x D
WYC-060604	1/4	6 x 6 x 4
WYC-080804	1/4	8 x 8 x 4
WYC-080806	1/4	8 x 8 x 6
WYC-080808	1/4	8 x 8 x 8
WYC-121204	5/16	12 x 12 x 4
WYC-121206	5/16	12 x 12 x 6
WYC-121208	3/8	12 x 12 x 8
WYC-141404	5/16	14 x 14 x 4
WYC-141406	5/16	14 x 14 x 6
WYC-141408	3/8	14 x 14 x 8
WYC-141410	3/8	14 x 14 x 10
WYC-161606	3/8	16 x 16 x 6
WYC-161608	3/8	16 x 16 x 8
WYC-161612	3/8	16 x 16 x 12
WYC-181206	3/8	18 x 12 x 6
WYC-181208	3/8	18 x 12 x 8
WYC-181210	3/8	18 x 12 x 10
WYC-181212	3/8	18 x 12 x 12
WYC-181806	3/8	18 x 18 x 6
WYC-181808	3/8	18 x 18 x 8
WYC-181812	3/8	18 x 18 x 12
WYC-242406	3/8	24 x 24 x 6
WYC-242408	3/8	24 x 24 x 8
WYC-242410	3/8	24 x 24 x 10
WYC-242412	3/8	24 x 24 x 12

\* Measured 2" up from back of box.





## W Series: WYNY Type Checkered Cover Roadway Topping Box

Cast Iron Box for Flush Mounting. Weatherproof.

### Applications

- These open-bottom boxes are designed to top off concrete pull boxes.
- Units designed to withstand vehicular traffic, H-20 loading.

### Features

- Design of these boxes is similar to the type WY58E except box and flange are one piece and cover is of cast steel or ductile iron.
- Cross-ribbed checkered cover with pry bar slots

### Standard Materials

- Cast iron box and cast steel or ductile iron cover.
- Neoprene gasket.
- Stainless steel cover screws.

### Standard Finishes

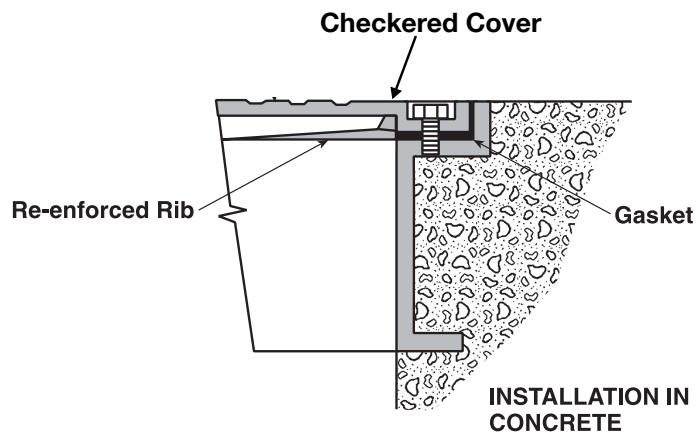
- Box and cover: Hot Dip Galvanized.

### Options

- Engraved lettering on cover per specifications.

### Third Party Certification:

- ASTM C-1028 Coefficient of Friction standard



Iron Catalog Number	Aprox. Wall Thick.*	Inside Dim. (inches) L x W x D
WYNY-1812-DIV	3/8	18 x 12 x 5-1/2
WYNY-2418-DIV	3/8	24 x 18 x 5-1/2
WYNY-3018-DIV	3/8	30 x 18 x 5-1/2
WYNY-3618-DIV	3/8	36 x 18 x 5-1/2
WYNY-3624-DIV	3/8	36 x 24 x 5-1/2
WYNY-4824-DIV	3/8	48 x 24 x 5-1/2

\* Measured 2" up from back of box.

G

**C-26**A large, light gray watermark of the Appleton logo is centered on the page. The logo consists of a stylized letter 'A' enclosed within a triangle, which is itself inside a circle. A registered trademark symbol (®) is located to the upper right of the outer circle.

Effective September, 2005  
Copyright 2005

**PAGE 26**

The Appleton logo, featuring a stylized 'A' inside a triangle, which is inside a circle, with a registered trademark symbol (®) to its upper right.

**Appleton®**

800-621-1506  
[www.appletonelec.com](http://www.appletonelec.com)