

New Construction

DBX DBXQC

Line Voltage
Incandescent Downlight
AirShield™
IC/Non-IC Rated
120V

APPLICATIONS:

Suitable for new construction, whether or not insulation is present, including residentially in a single story home or on the second level of a two story home; or commercially in spaces such as offices, single story retail, and hospitality environments. The DBX complies with requirements for AirShield™ applications.

AIR TIGHT REQUIREMENTS:

The DBX is AirShield™ rated in compliance with ASTM E283 and the Washington State Energy Code (W.S.E.C.).

REFLECTOR:

Trims are retained by a spring shipped with DBX and has a positive upward spring action to ensure a snug fit to the ceiling plane, eliminating unwanted light leak, and sagging over time. Trims come standard with a painted white trim ring.

LAMP/SOCKET:

Porcelain socket with brass or copper screw shell. Socket snaps into trim carrier to place lamp in proper position ensuring consistent appearance and performance. Socket is shipped with removeable paint protection cap. Thermal protector prevents fixture from overheating when improperly installed or over-lamped. Refer to trim for specific lamp information. Lamps furnished by others.

INSTALLATION:

Pro-Nail™ bar hangers with integral real nail compatible with common joist systems and materials. Joist alignment tab for rapid and consistent positioning and convenient nail removal features for easy re-positioning. Integral snap-on T-bar grip-lock feature and rigid 24" telescoping bar hanger design. Auxiliary mounting points for additional fasteners or wire suspension to structure. Bar hangers are captive with positive extension stop and locking feature to fix position, and can be reoriented 90° to housing. Optional sheet metal screw for steel construction with SBH housing option.

HOUSING:

Galvanized steel housing with full wrap-around plaster frame. Housing adjusts from 1/2" to 1 1/2" thick ceilings. Notched mounting frame for easy alignment. Housing includes knock out free integral Romex clamps, overspray protection, universal J-box with snap-out sides, 1/2" and 3/4" knock outs for rigid or BX fittings, thermal protector, and a grounding pigtail. Removable K.O. for remodel use (plaster flange clips required). Rated for 8 #12 90° conductors (4 in/4 out). Removable housing for field inspection of wiring. Pre-installed wire quick connects available by ordering DBXQC.

LABELS:

IC and Non-IC rated. UL, CUL listed for damp location and through wiring. Thermally protected. Air Shield™ rated. WSEC compliant.

DATE: _____ TYPE: _____

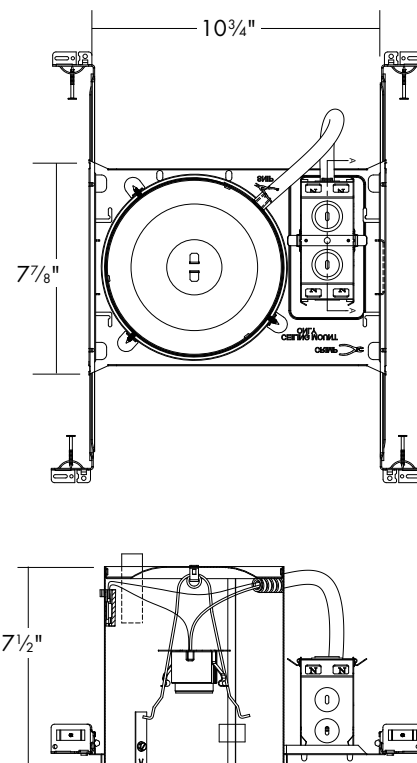
FIRM NAME: _____

PROJECT: _____

LiteBox 6"

Aperture: Nominal 6"
Ceiling Cutout: 6 7/8"
Maximum Ceiling Thickness: 1 1/2"
For conversion to millimeters,
multiply inches by 25.4
Not to Scale

Featuring



CATALOG NUMBER:

EXAMPLE: DBX-TB60-G6

HOUSING	HOUSING OPTIONS	TRIMS	TRIMS	TRIMS	TRIMS	ACCESSORIES
<input type="checkbox"/> DBX 6" IC/Non-IC air-tight w/ nail bar hanger <input type="checkbox"/> DBXQC 6" IC/Non-IC AirTight with nail bar hanger and supply wire quick- connects	<input type="checkbox"/> SBH Screw bar hanger	ADJUSTABLE <input type="checkbox"/> TA60 <input type="checkbox"/> TAW65 BAFFLE <input type="checkbox"/> TB60 <input type="checkbox"/> TBW60 <input type="checkbox"/> TB61 <input type="checkbox"/> TBW61 <input type="checkbox"/> TB62 <input type="checkbox"/> TBW62	LENSED <input type="checkbox"/> TL60 <input type="checkbox"/> TL61 <input type="checkbox"/> TL62 <input type="checkbox"/> TL63 <input type="checkbox"/> TL64	OPEN SHOWER <input type="checkbox"/> TO63WL¹ <input type="checkbox"/> TO64WL¹	OPEN <input type="checkbox"/> TO6 <input type="checkbox"/> TO60B <input type="checkbox"/> TO60C <input type="checkbox"/> TO60G <input type="checkbox"/> TO61 <input type="checkbox"/> TO62 WALL WASH <input type="checkbox"/> TW61WBF LED <input type="checkbox"/> LB6LEDA SERIES 800 & 1000 lumen LED Modules with dimming to 15%, 120V. See spec sheets for details	<input type="checkbox"/> G6 Ceiling gasket for 6" line voltage trim.

¹Indoor/outdoor lamp required.



In a continuing effort to offer the best product possible we reserve the right to change, without notice, specifications or materials that in our opinion will not alter the function of the product.
Web: www.prescolite.com • Tech Support: (888) 777-4832

LB-INC-011

TRIMS & FINISHES

LiteBox®
DBX, DBXQC - Incandescent

Note: All trims are 7³/₄" O.D. except where indicated.

LED



LB6LEDA Series

White LED Module 800 & 1000 lumens, See spec sheets for details.

Adjustable



TA60

White eyeball.
Max. 75W PAR-30, 65W BR-30
Adj. 358°H x 30°V



TAW65

White (TAW65) regressed baffle eyeball.
Max. IC Application: 50W PAR-30, 65W BR-30;
Max. Non-IC Application: 75W PAR-30, 85W BR-30.
Adj. 358°H x 30°V

Baffle

TB60



Stepped black baffle.
Max. IC Application: 75W PAR-30, 65W BR-30;
Max. Non-IC Application: 150W PAR-38, 120W BR-40, 40W A-19

TBW60



Stepped white baffle.
Max. IC Application: 75W PAR-30, 65W BR-30;
Max. Non-IC Application: 150W PAR-38, 120W BR-40, 40W A-19

TB61



Long-neck black baffle.
Max. IC Application: 75W PAR-30L, 65W BR-30;
Max. Non-IC Application: 75W PAR-30L, 85W BR-30, 100W A-19

TBW61



Long-neck white baffle.
Max. IC Application: 75W PAR-30L, 65W BR-30;
Max. Non-IC Application: 75W PAR-30L, 100W A-19, 85W BR-30

TB62



High-wattage black stepped baffle. O.D. 8³/₄" dia.
Max. Non-IC Application: 150W PAR-38, 120W BR-40

TBW62



High-wattage white stepped baffle. O.D. 8³/₄" dia.
Max. IC Application: 90W PAR-38, 85W BR-40;
Max. Non-IC Application: 150W PAR-38, 120W BR-40

Lensed

TL60



Shower trim with dropped opal glass lens. Non-metallic flange. Wet location approved.
Max. IC Application: 50W PAR-30, 40W A-19;
Max. Application. Non-IC: 75W PAR-30, 75W A-19

TL61



Shower trim with dropped opal glass lens. O.D. 8¹/₄" dia. Metal flange. Wet location approved.
Max. IC Application: 50W PAR-30, 60W A-19;
Max. Non-IC Application: 75W PAR-30, 75W A-19

TL62



Fresnel lensed trim. Wet location approved. Non-metallic flange.
Max. IC Application: 50W PAR-30;
Max. Non-IC Application: 75W PAR-30

TL63



Domed polycarbonate shower trim. O.D. 8¹/₄" dia. Wet location approved.
Max. IC Application: 40W A-19;
Max. Non-IC Application: 75W A-19

TL64

White albalite flush glass lensed trim. Metal flange. Wet location approved.
Max. Non-IC Application 75W PAR-30, 60W A-19

Open



TO6

White cone.
Max. IC Application: 75W PAR-30, 65W BR-30;
Max. Non-IC Application: 150W PAR-38, 120W BR-40, 40W A-19



TO60B

Black Alzak reflector.
Max. IC Application: 75W PAR-30, 65W BR-30;
Max. Non-IC Application: 150W PAR-38, 120W BR-40, 40W A-19



TO60C

Specular clear Alzak reflector.
Max. IC Application: 75W PAR-30, 65W BR-30;
Max. Non-IC Application: 150W PAR-38, 120W BR-40, 40W A-19

Open (cont.)



TO60G

Specular gold Alzak reflector.
Max. IC Application: 75W PAR-30, 65W BR-30;
Max. Non-IC Application: 150W PAR-38, 120W BR-40, 40W A-19



TO61

White open splay.
Max. IC Application: 75W PAR-30L, 65W BR-30;
Max. Non-IC Application: 75W PAR-30L, 85W BR-30, 100W A-19



TO62

White open trim. Metal Flange.
Max. IC Application: 85W BR-40/PAR-38
Max. Non-IC Application: 120W BR40, 150W PAR38

Open Shower



TO63WL

White open shower trim. Metal flange. Wet location approved.
Max. 50W PAR-30L



TO64WL

High wattage white open shower trim. O.D. 8³/₄" dia. Metal Flange. Wet location approved.
Max. 75W PAR-38

Wall Wash



TW61WBF

White baffle wall wash.
Max. Non-IC only: 60W A-19

Denotes AirShield™ capability with DBX. Refer to www.prescolite.com for photometrics.

UL Listed for wet locations.