

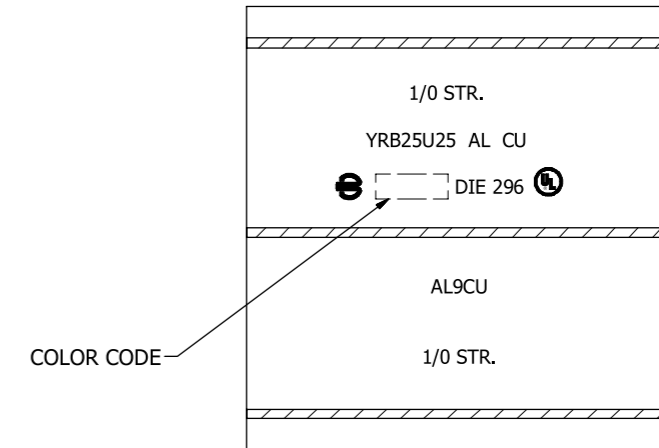
REV	DATE	DESCRIPTION	ECO	BY	C'H'K.
B	03/12/2014	DRAWING RELEASED	35291	MVP	MB

CATALOG NUMBER	CONDUCTOR RANGE		WIRE STRIP LENGTH	DIE INDEX
	BARREL 'A'	BARREL 'B'		
YRB6U10	# 6 STR. # 5 STR.	# 10 STR. # 8 SOL.	15/16"	14 15AA 296
YRB6U8		# 8 STR.		
YRB6U6		# 6 STR. # 5 STR.		
YRB4U10	# 4 STR. # 3 STR.	# 10 STR. # 8 SOL.		
YRB4U8		# 8 STR.		
YRB4U6		# 6 STR. # 5 STR.		
YRB4U4		# 4 STR. # 3 STR.		

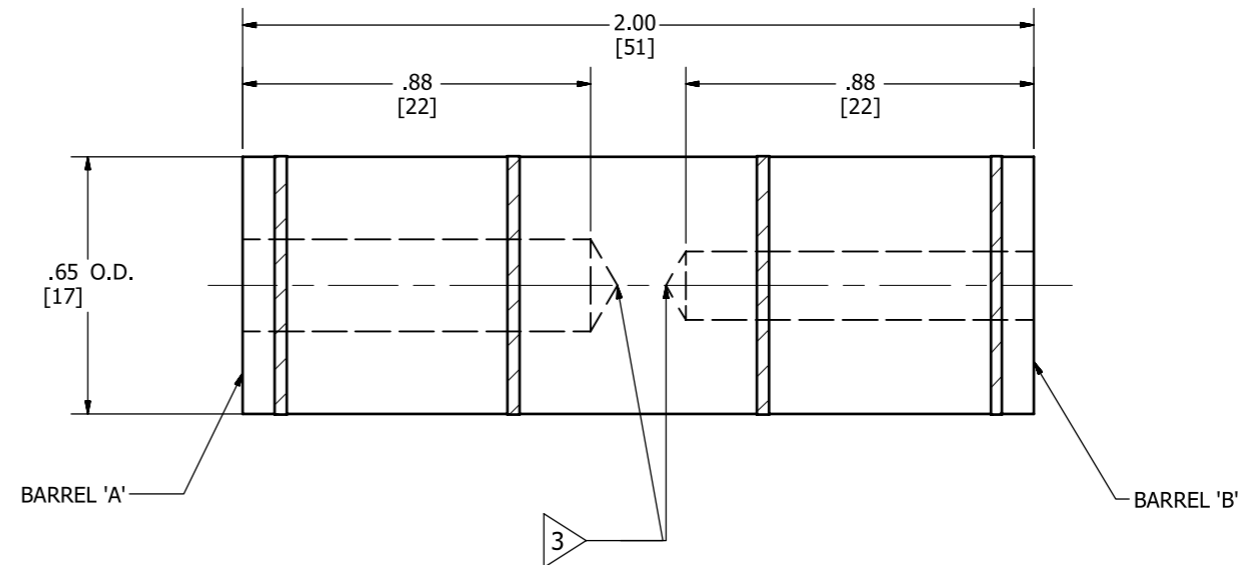
CATALOG NUMBER	CONDUCTOR RANGE		WIRE STRIP LENGTH	DIE INDEX
	BARREL 'A'	BARREL 'B'		
YRB2U10	# 1 STR. # 2 STR.	# 10 STR. # 8 SOL.	15/16"	14 15AA 296
YRB2U8		# 8 STR.		
YRB2U6		# 6 STR. # 5 STR.		
YRB2U4		# 4 STR. # 3 STR.		
YRB2U2		# 1 STR. # 2 STR.		

CATALOG NUMBER	CONDUCTOR RANGE		WIRE STRIP LENGTH	DIE INDEX
	BARREL 'A'	BARREL 'B'		
YRB25U10	1/0 STR.	# 10 STR. # 8 SOL.	15/16"	14 15AA 296
YRB25U8		# 8 STR.		
YRB25U6		# 6 STR. # 5 STR.		
YRB25U4		# 4 STR. # 3 STR.		
YRB25U2		# 1 STR. # 2 STR.		
YRB25U25		1/0 STR.		

BURNDY® INSTALLATION TOOLING (# OF CRIMPS OR INDENTS PER END)												
COLOR CODE	DIE INFORMATION		MECHANICAL RATCHET									
	DIE INDEX	TYPE	OUR840	MD6 MD7	11 Y29B	9 Y34B	Y35, Y39 Y750, BAT35 PAT750	8 Y46	7 Y45	Y488	Y60BHU	11 DIELESS (# OF CRIMPS)
ORANGE	12 14	ORANGE DIE SET	X27RT (3)	W27RT (2) W27VT (2)	---	---	U27RT (1)	U27RT (1)	U27RT (1)	---	---	MECHANICAL: MY29-3 (1)
		NEST	---	---	D27L (1)	B27D (1)	U27D-1 (1)	U27D-1 (1)	U27D-1 (1)	---	---	
		INDENTOR	---	---	Y29PR	Y34PR	Y34PR	Y34PR	Y34PR	---	---	
---	15AA	---	---	---	---	---	---	---	---	---	---	---
TAN	12 296	TAN DIE SET	X25ART (3)	---	---	---	U25ART (1)	U25ART (1)	U25ART (1)	C25ART (1)	---	MECHANICAL: MY29-3 (1)
		NEST	---	---	---	B28D (1)	---	P28D (1)	---	---	---	
		INDENTOR	---	---	---	Y34PR-5	---	P34PR-5	---	---	---	



TYPICAL LETTERING VIEW



NOTES:

- MATERIAL: ALUMINUM
- FINISH: TIN PLATED
- BARRELS ARE PARTIALLY FILLED WITH PENETROX™ AND SEALED.
- SCRATCH BRUSHING OF ALL CONDUCTORS BEFORE MAKING INSTALLATION IS RECOMMENDED
- NOT FOR USE WITH COPPER TO COPPER APPLICATIONS.
- DIMENSIONS IN BRACKETS [] ARE IN MILLIMETERS ROUNDED OFF TO THE NEAREST MILLIMETER, UNLESS OTHERWISE NOTED, AND ARE FOR REFERENCE ONLY.
- CATALOG #PT6515 ADAPTOR IS REQUIRED TO USE "U" DIES IN Y45 SERIES TOOLS.
- CATALOG #PUADP-1 ADAPTOR IS REQUIRED TO USE "U" DIES IN Y46 SERIES TOOLS.
- FOR USE BY CUSTOMERS THAT HAVE THIS HYPRESS™ NO NEW Y34B HYPRESS™ ARE BEING PROCESSED.
- ON MY29-3 HYTOOL™ USE ALUM. INDEX PLATE SETTINGS AS FOLLOWS FOR 1/0 CONDUCTORS USE 1/0 SETTING. FOR CONDUCTORS SMALLER THAN 1/0 SIZE USE 2/0 SETTING.
- ALSO USES PNEUMATIC VERSION Y29NC.
- ORANGE DIE (INDEX 14) IS UL TESTED. TAN DIE (INDEX 296) IS USED FOR MARKING REASONS.

TO ORDER BURNDY® PRODUCTS CALL		HYREDUCER™	
UNITED STATES 1-800-346-4175 (LONDONDERRY, NH)		ITEM NO: N/A	CAT. NO: YRB-U- (TABLE)
CANADA: 1-800-361-6975 (QUEBEC) 1-800-387-6487 (ALL OTHER PROVINCES)		DRAWN BY: SDC	08/08/1972
FOR PRODUCT INFO: http://www.burndy.com		CHECKED BY: JPS	11/23/1992
		DSN APRV: E.F.N	11/23/1972
		MFG APRV: N/A	
		QA APRV: VARIO	12/21/1995
		TRK APRV: L.THERRON	11/28/1995
		PROJ. FAM: --	
		PROJECT #: --	
		SIZE: C	DRAWING NO: SD074136
		REVISION: --	REV: B
		REL. LEVEL: Released	SHEET 1 OF 5