

CE EMC TEST REPORT

for

Scantech ID MICA M-9030 Laser Barcode Scanner

MODEL: MICA

Test Report Number:

91014003-E

Issued to:

Champtek Incorporated

**5/F, No.2, Alley 2, Shih-Wei Lane Chung-Cheng Rd.,
Hsin-Tien City 231 Taipei, Taiwan, R.O.C.**

Issued by:

Compliance Certification Services Inc.

Sindian BU.

**No.163-1, Jhongsheng Rd., Sindian City,
Taipei County 23151, Taiwan**

TEL: 886-2-22170894

FAX: 886-2-22171029

Issued Date: December 29, 2009



Note: This report shall not be reproduced except in full, without the written approval of Compliance Certification Services Inc. This document may be altered or revised by Compliance Certification Services Inc. personnel only, and shall be noted in the revision section of the document. The client should not use it to claim product endorsement by TAF, A2LA, NIST or any government agencies. The test results in the report only apply to the tested sample.



Revision History

| Rev. | Issue Date | Revisions | Effect Page | Revised By |
|------|-------------------|---------------|-------------|------------|
| 00 | December 29, 2009 | Initial Issue | ALL | Eva Fan |
| | | | | |
| | | | | |
| | | | | |



TABLE OF CONTENTS

1 TEST CERTIFICATION.....4
2 TEST RESULT SUMMARY.....5
3 EUT DESCRIPTION.....6
4 TEST METHODOLOGY.....7
4.1. DECISION OF FINAL TEST MODE7
4.2. EUT SYSTEM OPERATION.....7
5 SETUP OF EQUIPMENT UNDER TEST.....8
5.1. DESCRIPTION OF SUPPORT UNITS8
5.2. CONFIGURATION OF SYSTEM UNDER TEST8
6 FACILITIES AND ACCREDITATIONS.....9
6.1. FACILITIES.....9
6.2. ACCREDITATIONS.....9
6.3. MEASUREMENT UNCERTAINTY9
7 EMISSION TEST.....10
7.1. CONDUCTED EMISSION MEASUREMENT.....10
7.2. CONDUCTED EMISSION MEASUREMENT AT TELECOMMUNICATION PORTS.....14
7.3. RADIATED EMISSION MEASUREMENT17
7.4. HARMONICS CURRENT MEASUREMENT.....23
7.5. VOLTAGE FLUCTUATION AND FLICKER MEASUREMENT26
8 IMMUNITY TEST29
8.1. GENERAL DESCRIPTION.....29
8.2. GENERAL PERFORMANCE CRITERIA DESCRIPTION30
8.3. ELECTROSTATIC DISCHARGE (ESD).....31
8.4. RADIATED, RADIO-FREQUENCY, ELECTROMAGNETIC FIELD (RS).....36
8.5. ELECTRICAL FAST TRANSIENT (EFT)39
8.6. SURGE IMMUNITY TEST.....41
8.7. CONDUCTED RADIO FREQUENCY DISTURBANCES (CS)43
8.8. POWER FREQUENCY MAGNETIC FIELD.....46
8.9. VOLTAGE DIPS & VOLTAGE INTERRUPTIONS48
9 PHOTOGRAPHS OF THE TEST CONFIGURATION.....50



1 TEST CERTIFICATION

Product: Scantech ID MICA M-9030 Laser Barcode Scanner

Model: MICA

Brand: SCANTECH ID

Applicant: **Champtek Incorporated**
5/F, No.2, Alley 2, Shih-Wei Lane Chung-Cheng Rd.,
Hsin-Tien City 231 Taipei, Taiwan, R.O.C.

Manufacturer: **Champtek Incorporated**
5/F, No.2, Alley 2, Shih-Wei Lane Chung-Cheng Rd.,
Hsin-Tien City 231 Taipei, Taiwan, R.O.C.

Tested: December 23, 2009 & December 25, 2009

| | | |
|------------------------------|---|---|
| Applicable Standards: | EN 55022: 2006 + A1: 2007, Class B | EN 55024: 1998 + A1: 2001 + A2: 2003 |
| | EN 61000-3-2: 2006 | IEC 61000-4-2: 1995 + A1: 1998 + A2: 2000 |
| | | IEC 61000-4-3: 2006 |
| | EN 61000-3-3: 1995 + A1: 2001 + A2: 2005 | IEC 61000-4-4: 2004 |
| | | IEC 61000-4-5: 2005 |
| | | IEC 61000-4-6: 2003 + A1: 2004 + A2: 2006 |
| | | IEC 61000-4-8: 1993 + A1: 2000 |
| | | IEC 61000-4-11: 2004 |

| Deviation from Applicable Standard |
|------------------------------------|
| None |

The above equipment has been tested by Compliance Certification Services Inc., and found compliance with the requirements set forth in the technical standards mentioned above. The results of testing in this report apply only to the product/system, which was tested. Other similar equipment will not necessarily produce the same results due to production tolerance and measurement uncertainties.

Approved by:

Vince Chiang
Assistant Manager

Reviewed by:

Vesta Hsu
Supervisor of report document dept.

2 TEST RESULT SUMMARY

| EMISSION | | | |
|--|--------------------------------|--------|------------------------|
| Standard | Item | Result | Remarks |
| EN 55022: 2006 + A1: 2007 | Conducted (Power Port) | PASS | Meet Class A limit |
| | Conducted (Telecom port) | N/A | Please see the page 16 |
| | Radiated | PASS | Meet Class A limit |
| EN 61000-3-2: 2006 | Harmonic current emissions | N/A | Please see the page 25 |
| EN 61000-3-3: 1995 + A1: 2001 + A2: 2005 | Voltage fluctuations & flicker | PASS | Meets the requirements |

| IMMUNITY [EN 55024 (1998 + A1: 2001 + A2: 2003)] | | | |
|--|-----------------------------------|--------|--|
| Standard | Item | Result | Remarks |
| IEC 61000-4-2: 1995 + A1: 1998 + A2: 2000 | ESD | PASS | Meets the requirements of Performance Criterion A |
| IEC 61000-4-3: 2006 | RS | PASS | Meets the requirements of Performance Criterion A |
| IEC 61000-4-4: 2004 | EFT | PASS | Meets the requirements of Performance Criterion A |
| IEC 61000-4-5: 2005 | Surge | PASS | Meets the requirements of Performance Criterion A |
| IEC 61000-4-6: 2003 + A1: 2004 + A2: 2006 | CS | PASS | Meets the requirements of Performance Criterion A |
| IEC 61000-4-8: 1993 + A1: 2000 | PFMF | N/A | Please see the page 47 |
| IEC 61000-4-11: 2004 | Voltage dips & voltage variations | PASS | Meets the requirements of Voltage Dips: 1) >95% reduction Performance Criterion A 2) 30% reduction Performance Criterion A Voltage Interruptions: 1) >95% reduction Performance Criterion C |

Note:

1. The statements of test result on the above are decided by the request of test standard only; the measurement uncertainties are not factored into this compliance determination.
2. The information of measurement uncertainty is available upon the customer's request.



3 EUT DESCRIPTION

| | |
|--------------------------------|---|
| Product | Scantech ID MICA M-9030 Laser Barcode Scanner |
| Brand Name | SCANTECH ID |
| Model | MICA |
| Applicant | Champtek Incorporated |
| Housing material | Plastic |
| Identify Number | 91014003 |
| Received Date | October 14, 2009 |
| EUT Power Rating | 5VDC from AC Adaptor |
| AC Power During Test | 230VAC / 50Hz |
| AC Adaptor Manufacturer | SCANTECHID |
| AC Adaptor Model | SFP0502000P |
| AC Adaptor Power Rating | I/P: 100-240VAC, O/P: 5VDC |
| DC Power Cord Type | Unshielded, 2.5m (Non-detachable) |
| EUT I/O Cable Type | LAN to RS232: Shielded, 2.0m (Detachable) LAN to PS/2: Shielded, 2.0m (Detachable) USB: Shielded, 2.0m (Detachable) |

I/O PORT

| I/O PORT TYPES | Q'TY | TESTED WITH |
|----------------|------|-------------|
| 1. LAN Port | 1 | 1 |

Note: Client consigns only one model sample to test (Model Number: MICA).

4 TEST METHODOLOGY

4.1. DECISION OF FINAL TEST MODE

The EUT was tested together with the above additional components, and a configuration, which produced the worst emission levels, was selected and recorded in this report.

The test configuration/ modes are as the following:

Modes:

| | |
|---|------------|
| 1 | RS232 Mode |
| 2 | PS/2 Mode |
| 3 | USB Mode |

Conduction: Mode 1

Radiation: Mode 1

4.2. EUT SYSTEM OPERATION

1. Windows XP boots system.
2. Run Emctest.exe to activate all peripherals and display “H” pattern on monitor screen.
3. Run Hypertrm.exe and operate the EUT to scan the bar code.

Note: Test program is self-repeating throughout the test.

5 SETUP OF EQUIPMENT UNDER TEST

5.1. DESCRIPTION OF SUPPORT UNITS

The EUT has been tested as an independent unit together with other necessary accessories or support units. The following support units or accessories were used to form a representative test configuration during the tests.

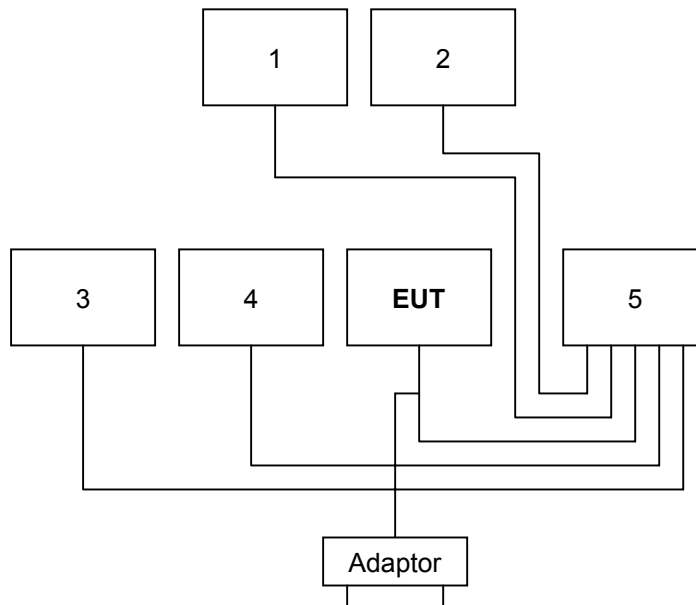
Peripherals Devices:

| No. | Equipment | Model No. | Serial No. | FCC ID / BSMI ID | Trade Name | Data Cable | Power Cord |
|-----|--------------|-----------|-----------------|---------------------|------------|----------------------------------|---------------------|
| 1 | USB Mouse | MOC5UO | H1606PRO | DoC BSMI: R41108 | Dell | Shielded, 1.8m | N/A |
| 2 | USB Keyboard | SK-8115 | N/A | DoC BSMI: T3A002 | Dell | Shielded, 1.8m with a core | N/A |
| 3 | Printer | C60 | DR3K039402 | BSMI ID: 3902E006 | EPSON | Shielded, 1.8m | Unshielded, 1.8m |
| 4 | Monitor | 710V | GS17H9NXA05855D | DoC BSMI: R33475 | SAMSUNG | Shielded, 1.8m with two cores | Unshielded, 1.8m |
| 5 | Host PC | DCSM | CGN4Z1S | DoC BSMI: R33002 | DELL | Shielded, 2.0m | Unshielded, 1.8m |

Note:

- 1) All the equipment/cables were placed in the worst-case configuration to maximize the emission during the test.
- 2) Grounding was established in accordance with the manufacturer's requirements and conditions for the intended use.

5.2. CONFIGURATION OF SYSTEM UNDER TEST



6 FACILITIES AND ACCREDITATIONS

6.1. FACILITIES

All measurement facilities used to collect the measurement data are located at CCS Taiwan Sindian BU. at No.163-1, Jhongsheng Rd., Sindian City, Taipei County 23151, Taiwan.

The sites are constructed in conformance with the requirements of ANSI C63.4 and CISPR Publication 22. All receiving equipment conforms to CISPR 16-1-1, CISPR 16-1-2, CISPR 16-1-3, CISPR 16-1-4 and CISPR 16-1-5.

6.2. ACCREDITATIONS

Our laboratories are accredited and approved by the following accreditation body according to ISO/IEC 17025.

| | |
|---------------|------|
| Taiwan | TAF |
| USA | A2LA |

The measuring facility of laboratories has been authorized or registered by the following approval agencies.

| | |
|----------------|-----------------|
| Canada | Industry Canada |
| Germany | TUV Rheinland |
| Japan | VCCI |
| Taiwan | BSMI |
| USA | FCC |

Copies of granted accreditation certificates are available for downloading from our web site, <http://www.ccsrf.com>

6.3. MEASUREMENT UNCERTAINTY

Where relevant, the following measurement uncertainty levels have been estimated for tests performed on the EUT as specified in CISPR 16-4-2:

| Measurement | Frequency | Uncertainty |
|---------------------|-----------------|-------------|
| Conducted emissions | 0.15MHz~30MHz | ± 1.7366 |
| Radiated emissions | 30MHz ~ 200MHz | ± 3.8792 |
| | 200MHz ~1000MHz | ± 3.8914 |

This uncertainty represents an expanded uncertainty expressed at approximately the 95% confidence level using a coverage factor of k=2.

Consistent with industry standard (e.g. CISPR 22: 2005, clause 11, Measurement Uncertainty) determining compliance with the limits shall be base on the results of the compliance measurement. Consequently the measure emissions being less than the maximum allowed emission result in this be a compliant test or passing test.

The acceptable measurement uncertainty value without requiring revision of the compliance statement is base on conducted and radiated emissions being less than U_{CISPR} which is 3.6dB and 5.2dB respectively. CCS values (called U_{Lab} in CISPR 16-4-2) is less than U_{CISPR} as shown in the table above. Therefore, MU need not be considered for compliance.



7 EMISSION TEST

7.1. CONDUCTED EMISSION MEASUREMENT

7.1.1. LIMITS

| FREQUENCY (MHz) | Class A (dBuV) | | Class B (dBuV) | |
|-----------------|----------------|---------|----------------|---------|
| | Quasi-peak | Average | Quasi-peak | Average |
| 0.15 - 0.5 | 79 | 66 | 66 - 56 | 56 - 46 |
| 0.50 - 5.0 | 73 | 60 | 56 | 46 |
| 5.0 - 30.0 | 73 | 60 | 60 | 50 |

Note:

1. The lower limit shall apply at the transition frequencies.
2. The limit decreases in line with the logarithm of the frequency in the range of 0.15 to 0.50 MHz.
3. All emanations from a class A/B digital device or system, including any network of conductors and apparatus connected thereto, shall not exceed the level of field strengths specified above.

7.1.2. TEST INSTRUMENTS

| Conducted Emission room # B | | | | |
|-----------------------------|--------------|------------------|---------------|-----------------|
| Name of Equipment | Manufacturer | Model | Serial Number | Calibration Due |
| TEST RECEIVER | R&S | ESHS10 | 843743/015 | 03/29/2010 |
| LISN (EUT) | FCC | FCC-LISN-50-32-2 | 08009 | 03/29/2010 |
| LISN | EMCO | 3825/2 | 1382 | 01/05/2010 |
| BNC CABLE | Huber+Suhner | RG 223/U | BNC B2 | 01/12/2010 |
| Pulse Limiter | R&S | ESH3-Z2 | 100374 | 08/23/2010 |
| THERMO-HYGRO METER | TOP | HA-202 | 9303-3 | 02/04/2010 |
| Test S/W | EMI 32.exe | | | |

Note:

1. The calibration interval of the above test instruments is 12 months and the calibrations are traceable to NML/ROC and NIST/USA.
2. N.C.R. = No Calibration Request.



7.1.3. TEST PROCEDURES (please refer to measurement standard or CCS SOP PA-031)

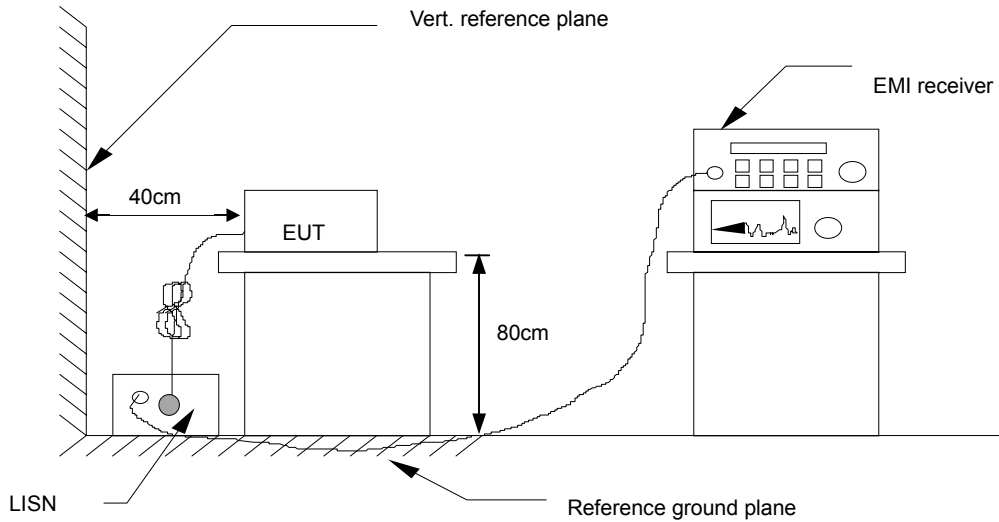
Procedure of Preliminary Test

- The EUT and Support equipment, if needed, was set up as per the test configuration to simulate typical usage per the user's manual. When the EUT is a tabletop system, a wooden table with a height of 0.8 meters is used and is placed on the ground plane as per EN 55022 (see Test Facility for the dimensions of the ground plane used). When the EUT is a floor standing equipment, it is placed on the ground plane, which has a 15 cm non-conductive covering to insulate the EUT from the ground plane.
- All I/O cables were positioned to simulate typical actual usage as per EN 55022.
- The test equipment EUT installed received AC main power, through a Line Impedance Stabilization Network (LISN), which supplied power source and was grounded to the ground plane.
- All support equipment power received from a second LISN.
- The EUT test program was started. Emissions were measured on each current carrying line of the EUT using an EMI Test Receiver connected to the LISN powering the EUT.
- The Receiver scanned from 150kHz to 30MHz for emissions in each of the test modes.
- During the above scans, the emissions were maximized by cable manipulation.
- The test mode(s) described in Item 4.1 were scanned during the preliminary test.
- After the preliminary scan, we found the test mode described in Item 4.1 producing the highest emission level.
- The EUT configuration and cable configuration of the above highest emission levels were recorded for reference of the final test.

Procedure of Final Test

- EUT and support equipment were set up on the test bench as per the configuration with highest emission level in the preliminary test.
- A scan was taken on both power lines, Line 1 and Line 2, recording at least the six highest emissions. Emission frequency and amplitude were recorded into a computer in which correction factors were used to calculate the emission level and compare reading to the applicable limit.
- The test data of the worst-case condition(s) was recorded.

7.1.4. TEST SETUP



- For the actual test configuration, please refer to the related item – Photographs of the Test Configuration.

7.1.5. DATA SAMPLE

| Freq. (MHz) | Read Level (dBuV) | Factor (dB) | Level (dBuV) | Limit Line (dBuV) | Over Limit (dB) | Remark (P/Q/A) | Line (L1/L2) |
|-------------|-------------------|-------------|--------------|-------------------|-----------------|----------------|--------------|
| x.xx | 42.95 | 0.55 | 43.50 | 56 | -12.50 | Q | L1 |

- Freq. = Emission frequency in MHz
- Read Level = Uncorrected Analyzer/Receiver reading
- Factor = Insertion loss of LISN + Cable Loss
- Level = Read Level + Factor
- Limit Line = Limit stated in standard
- Over Limit = Reading in reference to limit
- P = Peak Reading
- Q = Quasi-peak Reading
- A = Average Reading
- L1 = Hot side
- L2 = Neutral side

Calculation Formula

Over Limit (dB) = Level (dBuV) – Limit Line (dBuV)



7.1.6. TEST RESULTS

| | | | |
|---------------------------------|--------------------------|----------------------|--------|
| Model No. | MICA | 6dB Bandwidth | 10 kHz |
| Environmental Conditions | 20deg.C, 55% RH, 1010hPa | Test Mode | Mode 1 |
| Tested by | Benson Yang | | |

(The chart below shows the highest readings taken from the final data.)

| Six Highest Conducted Emission Readings | | | | | | | |
|--|--------------------------|--------------------|---------------------|--------------------------|------------------------|-----------------------|---------------------|
| Frequency Range Investigated | | | | 150 kHz to 30 MHz | | | |
| Freq. (MHz) | Read Level (dBuV) | Factor (dB) | Level (dBuV) | Limit Line (dBuV) | Over Limit (dB) | Remark (P/Q/A) | Line (L1/L2) |
| 0.150 | 48.96 | 11.35 | 60.31 | 66.00 | -5.69 | P | L1 |
| 0.150 | 6.57 | 11.35 | 17.92 | 56.00 | -38.08 | A | L1 |
| 0.199 | 48.68 | 10.97 | 59.65 | 63.67 | -4.02 | P | L1 |
| 0.199 | 15.04 | 10.97 | 26.00 | 53.67 | -27.66 | A | L1 |
| 0.413 | 41.37 | 10.59 | 51.96 | 57.59 | -5.64 | P | L1 |
| 0.413 | 17.55 | 10.59 | 28.14 | 47.59 | -19.46 | A | L1 |
| 0.486 | 38.86 | 10.58 | 49.44 | 56.23 | -6.80 | P | L1 |
| 0.486 | 16.32 | 10.58 | 26.90 | 46.23 | -19.34 | A | L1 |
| 0.206 | 47.69 | 10.62 | 58.31 | 63.36 | -5.05 | P | L2 |
| 0.206 | 17.98 | 10.62 | 28.60 | 53.36 | -24.76 | A | L2 |
| 0.402 | 40.78 | 10.28 | 51.06 | 57.81 | -6.75 | P | L2 |
| 0.402 | 15.91 | 10.28 | 26.19 | 47.81 | -21.62 | A | L2 |

- Notes:** 1. L1 = Line One (Live Line) / L2 = Line Two (Neutral Line).
 2. Those frequencies only show peak emission level because that was below the Average limit, so no need to check average anymore.

7.2. CONDUCTED EMISSION MEASUREMENT AT TELECOMMUNICATION PORTS

7.2.1. LIMITS

For Class A Equipment

| FREQUENCY (MHz) | Voltage Limit (dBuV) | | Current Limit (dBuA) | |
|-----------------|----------------------|---------|----------------------|---------|
| | Quasi-peak | Average | Quasi-peak | Average |
| 0.15 ~ 0.5 | 97 ~ 87 | 84 ~ 74 | 53 ~ 43 | 40 ~ 30 |
| 0.5 ~ 30.0 | 87 | 74 | 43 | 30 |

Note: The limits decrease linearly with the logarithm of the frequency in the range 0.15 MHz to 0.5 MHz.

For Class B Equipment

| FREQUENCY (MHz) | Voltage Limit (dBuV) | | Current Limit (dBuA) | |
|-----------------|----------------------|---------|----------------------|---------|
| | Quasi-peak | Average | Quasi-peak | Average |
| 0.15 - 0.5 | 84 ~ 74 | 74 ~ 64 | 40 ~ 30 | 30 ~ 20 |
| 0.5 - 30.0 | 74 | 64 | 30 | 20 |

Note: The limits decrease linearly with the logarithm of the frequency in the range 0.15 MHz to 0.5 MHz.

7.2.2. TEST INSTRUMENTS

| Conducted Emission room # | | | | |
|---------------------------|--------------|-------|---------------|-----------------|
| Name of Equipment | Manufacturer | Model | Serial Number | Calibration Due |
| | | | | |
| | | | | |
| | | | | |
| | | | | |
| | | | | |

Note:

1. The calibration interval of the above test instruments is 12 months and the calibrations are traceable to NML/ROC and NIST/USA.
2. N.C.R = No Calibration Request.

7.2.3. TEST PROCEDURE (please refer to measurement standard or CCS SOP PA-031)

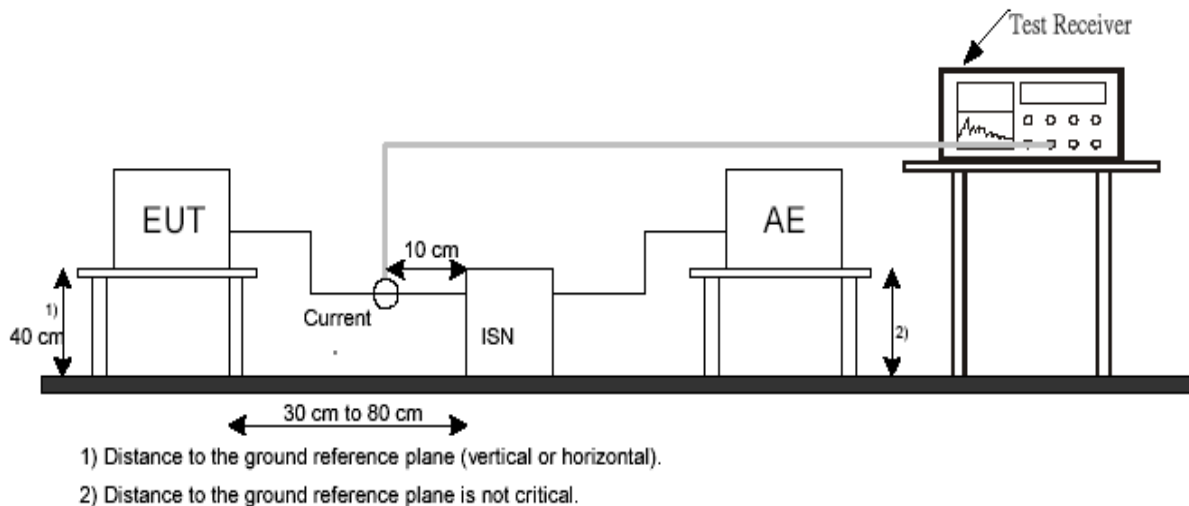
- Selecting ISN for unscreened cable or a current probe for screened cable to take measurement.
- The port of the EUT was connected to the remote side support equipment through the ISN/Current Probe and communication in normal condition.
- Making a overall range scan by using the test receiver controlled by controller and record at least six highest emissions for showing in the test report.
- Emission frequency and amplitude were recorded into a computer in which correction factors were used to calculate the emission level and compare reading to the applicable limit.
- In case of measuring on the screened cable, the current limit shall be applied; otherwise the voltage limit should be applied.
- The following test modes are scanned during the preliminary test:

N/A

- After the preliminary scan, we found the following test mode(s) producing the highest emission level and test data of the worst case was recorded.

N/A

7.2.4. TEST SETUP



- For the actual test configuration, please refer to the related item – Photographs of the Test Configuration.



7.2.5. DATA SAMPLE

| Freq. (MHz) | Read Level (dBuV) | Factor (dB) | Level (dBuV) | Limit Line (dBuV) | Over Limit (dB) | Remark (P/Q/A) |
|-------------|-------------------|-------------|--------------|-------------------|-----------------|----------------|
| x.xx | 62.95 | 0.55 | 63.50 | 87 | -23.50 | Q |

- Freq. = Emission frequency in MHz
- Read Level = Uncorrected Analyzer/Receiver reading
- Factor = Insertion loss of ISN + Cable Loss
- Level = Read Level + Factor
- Limit Line = Limit stated in standard
- Over Limit = Reading in reference to limit
- P = Peak Reading
- Q = Quasi-peak Reading
- A = Average Reading

Calculation Formula

Over Limit (dB) = Level (dBuV) – Limit (dBuV)

7.2.6. TEST RESULTS

| | | | |
|---------------------------------|-----|----------------------|-----|
| Model No. | N/A | 6dB Bandwidth | N/A |
| Environmental Conditions | N/A | Test Mode | N/A |
| Tested by | N/A | | |

NOTE: No applicable, the EUT doesn't have LAN Port or Modem port.

7.3. RADIATED EMISSION MEASUREMENT

7.3.1. LIMITS

Below 1GHz

| FREQUENCY (MHz) | dBuV/m (At 10m) | |
|-----------------|-----------------|---------|
| | Class A | Class B |
| 30 ~ 230 | 40 | 30 |
| 230 ~ 1000 | 47 | 37 |

Note: The lower limit shall apply at the transition frequencies.

Above 1GHz

| FREQUENCY (MHz) | Class A (dBuV/m) (At 3m) | | Class B (dBuV/m) (At 3m) | |
|-----------------|--------------------------|------|--------------------------|------|
| | Average | Peak | Average | Peak |
| 1000 ~ 3000 | 56 | 76 | 50 | 70 |
| 3000 ~ 6000 | 60 | 80 | 54 | 74 |

Note: The lower limit shall apply at the transition frequencies.

According to EN55022: 2006 + A1: 2007 clause 6.2, the measurement frequency range shown in the following table:

| Highest frequency generated or used within the EUT or on which the EUT operates or tunes (MHz) | Upper frequency of measurement range (MHz) |
|--|---|
| Less than 108 | 1000 |
| 108-500 | 2000 |
| 500-1000 | 5000 |
| Above 1000 | 5 times of the highest frequency or 6GHz, whichever is less |



7.3.2. TEST INSTRUMENTS

| Open Area Test Site # I | | | | |
|-------------------------|--------------|-----------|---------------|-------------------------|
| Name of Equipment | Manufacturer | Model | Serial Number | Calibration Due |
| MEASURE RECEIVER | SCHAFFNER | SCR3501 | 338 | 07/07/2010 |
| SPECTRUM ANALYZER | ADVANTEST | R3132 | 120900008 | No Calibration Required |
| ANTENNA | SCHAFFNER | CBL 6112B | 2809 | 09/06/2010 |
| AMPLIFIER | SCHAFFNER | CPA9231A | 3626 | 10/11/2010 |
| CABLE | BELDEN | 9913 | N-TYPE #12 | 02/22/2010 |
| THERMO-HYGRO METER | TECPEL | DTM-303 | 090639 | 05/24/2010 |
| Test S/W | Lab VIEW 7.1 | | | |

NOTE: 1. The calibration interval of the above test instruments is 12 months and the calibrations are traceable to NML/ROC and NIST/USA.
 2. N.C.R = No Calibration Request.

7.3.3. TEST PROCEDURE (please refer to measurement standard or CCS SOP PA-031)

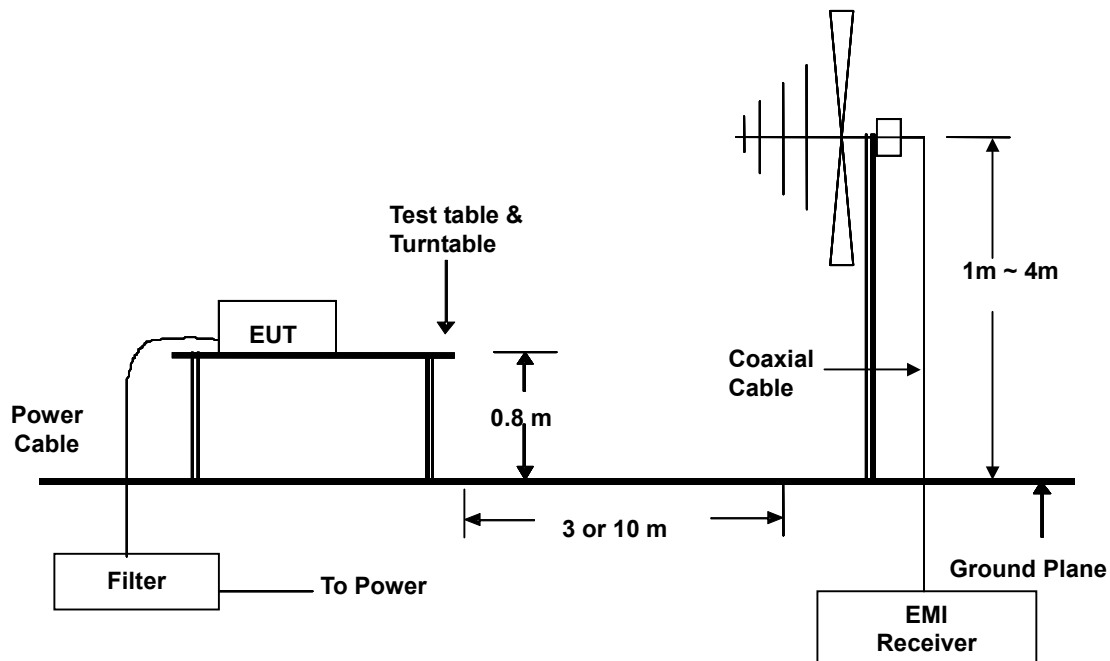
Procedure of Preliminary Test

- The equipment was set up as per the test configuration to simulate typical usage per the user’s manual. When the EUT is a tabletop system, a wooden turntable with a height of 0.8 meters is used which is placed on the ground plane. When the EUT is a floor standing equipment, it is placed on the ground plane which has a 15 cm non-conductive covering to insulate the EUT from the ground plane.
- Support equipment, if needed, was placed as per EN 55022.
- All I/O cables were positioned to simulate typical usage as per EN 55022.
- The EUT received AC power source from the outlet socket under the turntable. All support equipment power received from another socket under the turntable.
- The antenna was placed at 3 or 10 meter away from the EUT as stated in EN 55022. The antenna connected to the Spectrum Analyzer via a cable and at times a pre-amplifier would be used.
- The Analyzer / Receiver quickly scanned from 30MHz to 6000MHz. The EUT test program was started. Emissions were scanned and measured rotating the EUT to 360 degrees and positioning the antenna 1 to 4 meters above the ground plane, in both the vertical and the horizontal polarization, to maximize the emission reading level.
- The test mode(s) described in Item 4.1 were scanned during the preliminary test:
- After the preliminary scan, we found the test mode described in Item 4.1 producing the highest emission level.
- The EUT and cable configuration, antenna position, polarization and turntable position of the above highest emission level were recorded for the final test.

Procedure of Final Test

- EUT and support equipment were set up on the turntable as per the configuration with highest emission level in the preliminary test.
- The Analyzer / Receiver scanned from 30MHz to 6000MHz. Emissions were scanned and measured rotating the EUT to 360 degrees, varying cable placement and positioning the antenna 1 to 4 meters above the ground plane, in both the vertical and the horizontal polarization, to maximize the emission reading level.
- Recorded at least the six highest emissions. Emission frequency, amplitude, antenna position, polarization and turntable position were recorded into a computer in which correction factors were used to calculate the emission level and compare reading to the applicable limit. Below 1GHz the Q.P. reading and above 1GHz the Peak and Average reading are presented.
- The test data of the worst-case condition(s) was recorded.

7.3.4. TEST SETUP



- For the actual test configuration, please refer to the related item - Photographs of the Test Configuration.



7.3.5. DATA SAMPLE

Below 1GHz

| Freq. (MHz) | Reading (dBuV/m) | Factor (dB) | Result (dBuV/m) | Limit (dBuV/m) | Margin (dB) | Detector (P/Q) | Pol. (H/V) |
|-------------|------------------|-------------|-----------------|----------------|-------------|----------------|------------|
| x.xx | 14.0 | 12.2 | 26.2 | 30 | -3.8 | Q | H |

Above 1GHz

| Freq. (MHz) | Reading (dBuV/m) | Factor (dB) | Result (dBuV/m) | Limit (dBuV/m) | Margin (dB) | Detector (P/A) | Pol. (H/V) |
|-------------|------------------|-------------|-----------------|----------------|-------------|----------------|------------|
| x.xx | 42.95 | 0.55 | 43.50 | 54 | -10.50 | A | H |

- Freq. = Emission frequency in MHz
- Reading = Uncorrected Analyzer/Receiver reading
- Factor = Antenna Factor + Cable Loss - Amplifier Gain
- Result = Reading + Factor
- Limit = Limit stated in standard
- Margin = Reading in reference to limit
- P = Peak Reading
- Q = Quasi-peak Reading
- A = Average Reading
- H = Antenna Polarization: Horizontal
- V = Antenna Polarization: Vertical

Calculation Formula

Margin (dB) = Result (dBuV/m) – Limit (dBuV/m)

7.3.6. TEST RESULTS
Below 1GHz

| | | | |
|---------------------------------|--------------------------|-------------------------|-------------|
| Model No. | MICA | Test Mode | Mode 1 |
| Environmental Conditions | 20deg.C, 50% RH, 1008hPa | 6dB Bandwidth | 120 kHz |
| Antenna Pole | Vertical / Horizontal | Antenna Distance | 10m |
| Detector Function | Quasi-peak. | Tested by | Benson Yang |

(The chart below shows the highest readings taken from the final data.)

| Six Highest Radiated Emission Readings | | | | | | | |
|---|------------------|---------------|-----------------|----------------------------------|---------------|----------------|------------|
| Frequency Range Investigated | | | | 30 MHz to 1000 MHz at 10m | | | |
| Freq. (MHz) | Reading (dBuV/m) | Factor (dB) | Result (dBuV/m) | Limit (dBuV/m) | Margin (dB) | Detector (P/Q) | Pol. (H/V) |
| 125.020 | 38.80 | -16.18 | 22.62 | 30.00 | -7.38 | Q | V |
| 225.020 | 44.00 | -17.44 | 26.56 | 30.00 | -3.44 | Q | V |
| 375.040 | 38.90 | -11.20 | 27.70 | 37.00 | -9.30 | Q | V |
| 400.050 | 34.80 | -10.56 | 24.24 | 37.00 | -12.76 | Q | V |
| 725.040 | 34.40 | -5.03 | 29.37 | 37.00 | -7.63 | Q | V |
| 775.060 | 33.50 | -4.49 | 29.01 | 37.00 | -7.99 | Q | V |

(The chart below shows the highest readings taken from the final data.)

| Six Highest Radiated Emission Readings | | | | | | | |
|---|------------------|---------------|-----------------|----------------------------------|---------------|----------------|------------|
| Frequency Range Investigated | | | | 30 MHz to 1000 MHz at 10m | | | |
| Freq. (MHz) | Reading (dBuV/m) | Factor (dB) | Result (dBuV/m) | Limit (dBuV/m) | Margin (dB) | Detector (P/Q) | Pol. (H/V) |
| 125.020 | 38.10 | -16.18 | 21.92 | 30.00 | -8.08 | Q | H |
| 225.010 | 41.30 | -17.44 | 23.86 | 30.00 | -6.14 | Q | H |
| 375.010 | 40.30 | -11.20 | 29.10 | 37.00 | -7.90 | Q | H |
| 400.020 | 38.60 | -10.56 | 28.04 | 37.00 | -8.96 | Q | H |
| 499.720 | 33.90 | -7.98 | 25.92 | 37.00 | -11.08 | Q | H |
| 749.400 | 36.40 | -4.63 | 31.77 | 37.00 | -5.23 | Q | H |

- Notes:**
1. The other emission levels were very low against the limit.
 2. P= Peak Reading; Q= Quasi-peak Reading.



Above 1000MHz

| | | | |
|--|-------|-------------------------|----------|
| Model No. | N/A | Test Mode | N/A |
| Environmental Conditions | N/A | 6dB Bandwidth | N/A |
| Antenna Pole | N/A | Antenna Distance | N/A |
| Highest frequency generated or used | 25MHz | Upper frequency | See Note |
| Detector Function | N/A | Tested by | N/A |

Note: No applicable, when the highest frequency of the internal sources of the EUT is less than 108MHz, the measurement shall only be made up to 1 GHz.



7.4. HARMONICS CURRENT MEASUREMENT

7.4.1. LIMITS OF HARMONICS CURRENT MEASUREMENT

| Limits for Class A equipment | | Limits for Class D equipment | | |
|------------------------------|--------------------------------------|------------------------------|--|--------------------------------------|
| Harmonics Order n | Max. permissible harmonics current A | Harmonics Order n | Max. permissible harmonics current per watt mA/W | Max. permissible harmonics current A |
| Odd harmonics | | Odd Harmonics only | | |
| 3 | 2.30 | 3 | 3.4 | 2.30 |
| 5 | 1.14 | 5 | 1.9 | 1.14 |
| 7 | 0.77 | 7 | 1.0 | 0.77 |
| 9 | 0.40 | 9 | 0.5 | 0.40 |
| 11 | 0.33 | 11 | 0.35 | 0.33 |
| 13 | 0.21 | 13 | 0.30 | 0.21 |
| 15<=n<=39 | 0.15x15/n | 15<=n<=39 | 3.85/n | 0.15x15/n |
| Even harmonics | | | | |
| 2 | 1.08 | | | |
| 4 | 0.43 | | | |
| 6 | 0.30 | | | |
| 8<=n<=40 | 0.23x8/n | | | |

Note:

1. Class A and Class D are classified according to item 7.4.3.
2. According to section 7 of EN 61000-3-2, the above limits for all equipment except for lighting equipment having an active input power > 75 W and no limits apply for equipment with an active input power up to and including 75 W.

7.4.2. TEST INSTRUMENTS

| Name of Equipment | Manufacturer | Model | Serial Number | Calibration Due |
|--------------------------|---------------|------------|---------------|-----------------|
| Signal Conditioning Unit | Schaffner | CCN 1000-1 | 72122 | 11/23/2010 |
| 5KVA AC Power Source | Schaffner | NSG 1007 | 55131 | 11/23/2010 |
| Software | Win2100V3.exe | | | |

Note: The calibration interval of the above test instruments is 12 months and the calibrations are traceable to NML/ROC and NIST/USA.

7.4.3. TEST PROCEDURE (please refer to measurement standard or CCS SOP PA-029)

- The EUT was placed on the top of a wooden table 0.8 meters above the ground and operated to produce the maximum harmonic components under normal operating conditions for each successive harmonic component in turn.
- The classification of EUT is according to section 5 of EN 61000-3-2.
- The EUT is classified as follows:

Class A: Balanced three-phase equipment, Household appliances excluding equipment as Class D, Tools excluding portable tools, Dimmers for incandescent lamps, audio equipment, equipment not specified in one of the three other classes.

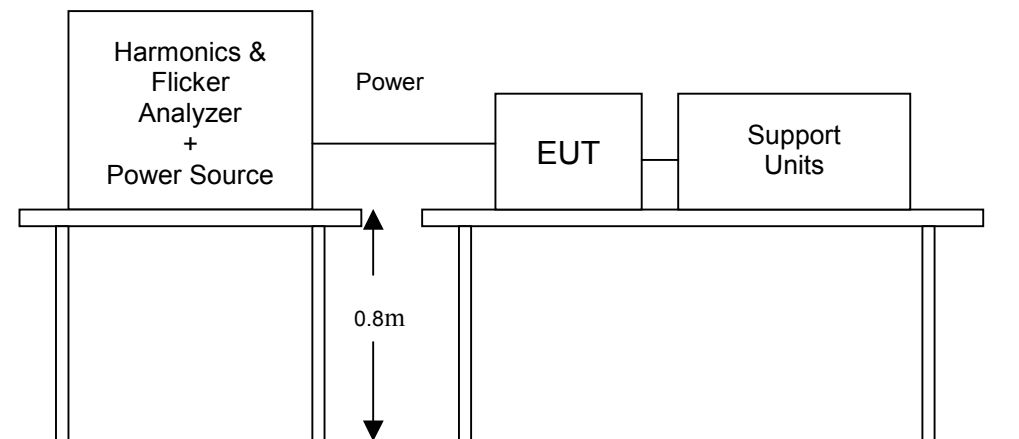
Class B: Portable tools; Arc welding equipment which is not professional equipment.

Class C: Lighting equipment.

Class D: Equipment having a specified power less than or equal to 600 W of the following types: Personal computers and personal computer monitors and television receivers.

- The correspondent test program of test instrument to measure the current harmonics emanated from EUT is chosen. The measure time shall be not less than the time necessary for the EUT to be exercised.

7.4.4. TEST SETUP



- For the actual test configuration, please refer to the related item – Photographs of the Test Configuration.



7.4.5. TEST RESULTS

| | | | |
|---------------------------------|------------------------|------------------|-----------|
| Power Consumption | 2.0W | Test Mode | Operating |
| Environmental Conditions | 20°C, 50% RH, 1010mbar | Tested by | John Yen |

Note: 1. Limits classified according to item 7.4.3.
2. According to clause 7 of EN 61000-3-2: 2006, equipment with a rated power of 75W or less, no limits apply. The test result is only for reference.

Test result of EN 61000-3-2

Highest parameter values during test:

| | |
|------------------------------|-----------------------------|
| V_RMS (Volts): 230.04 | Frequency(Hz): 50.00 |
| I_Peak (Amps): 0.340 | I_RMS (Amps): 0.031 |
| I_Fund (Amps): 0.009 | Crest Factor: 11.389 |
| Power (Watts): 2.0 | Power Factor: 0.287 |



7.5. VOLTAGE FLUCTUATION AND FLICKER MEASUREMENT

7.5.1. LIMITS OF VOLTAGE FLUCTUATION AND FLICKER MEASUREMENT

| TEST ITEM | LIMIT | REMARK |
|---------------|-------|--|
| P_{st} | 1.0 | P_{st} means short-term flicker indicator. |
| P_{lt} | 0.65 | P_{lt} means long-term flicker indicator. |
| T_{dt} (ms) | 500 | T_{dt} means maximum time that dt exceeds 3 %. |
| d_{max} (%) | 4% | d_{max} means maximum relative voltage change. |
| dc (%) | 3.3% | dc means relative steady-state voltage change |

7.5.2. TEST INSTRUMENTS

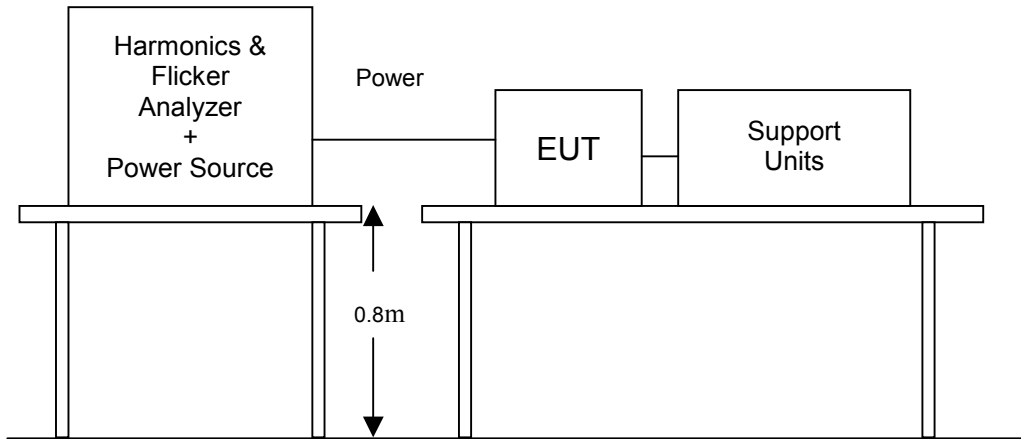
| IMMUNITY SHIELDED ROOM | | | | |
|--------------------------|---------------|------------|---------------|-----------------|
| Name of Equipment | Manufacturer | Model | Serial Number | Calibration Due |
| Signal Conditioning Unit | Schaffner | CCN 1000-1 | 72122 | 11/23/2010 |
| 5KVA AC Power Source | Schaffner | NSG 1007 | 55131 | 11/23/2010 |
| Software | Win2100V3.exe | | | |

Note: The calibration interval of the above test instruments is 12 months and the calibrations are traceable to NML/ROC and NIST/USA.

7.5.3. TEST PROCEDURE (please refer to measurement standard or CCS SOP PA-030)

- The EUT was placed on the top of a wooden table 0.8 meters above the ground and operated to produce the most unfavorable sequence of voltage changes under normal operating conditions.
- During the flick measurement, the measure time shall include that part of whole operation cycle in which the EUT produce the most unfavorable sequence of voltage changes. The observation period for short-term flicker indicator is 10 minutes and the observation period for long-term flicker indicator is 2 hours.

7.5.4. TEST SETUP



- For the actual test configuration, please refer to the related item – Photographs of the Test Configuration.

7.5.5. TEST RESULTS

| | | | |
|---------------------------------|------------------------|------------------|-------------|
| Observation Period (Tp) | 10mins | Test Mode | Operating |
| Environmental Conditions | 20°C, 50% RH, 1010mbar | Tested by | Benson Yang |

| TEST PARAMETER | MEASUREMENT VALUE | LIMIT | REMARK |
|----------------|-------------------|-------|--------|
| Pst | 0.359 | 1.0 | PASS |
| Plt | 0.215 | 0.65 | PASS |
| Tdt (ms) | 0 | 500 | PASS |
| dmax (%) | -0.16 | 4% | PASS |
| dc (%) | -0.12 | 3.3% | PASS |

Note: None.



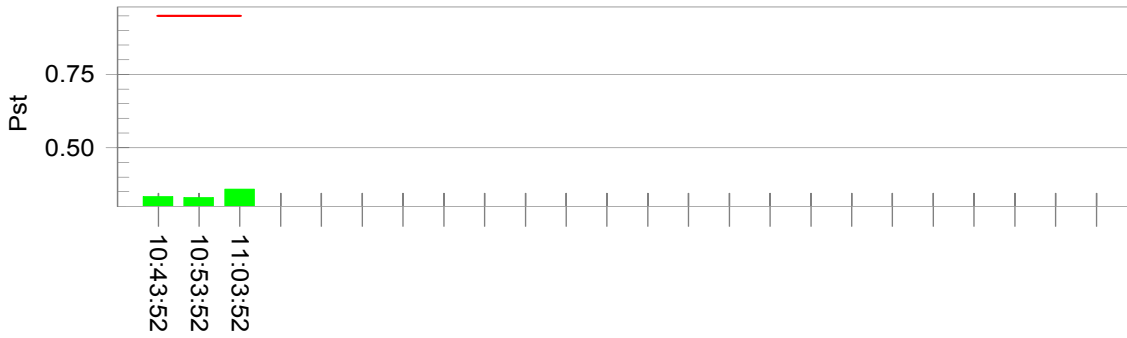
Test result of EN 61000-3-3

Test Result: Pass

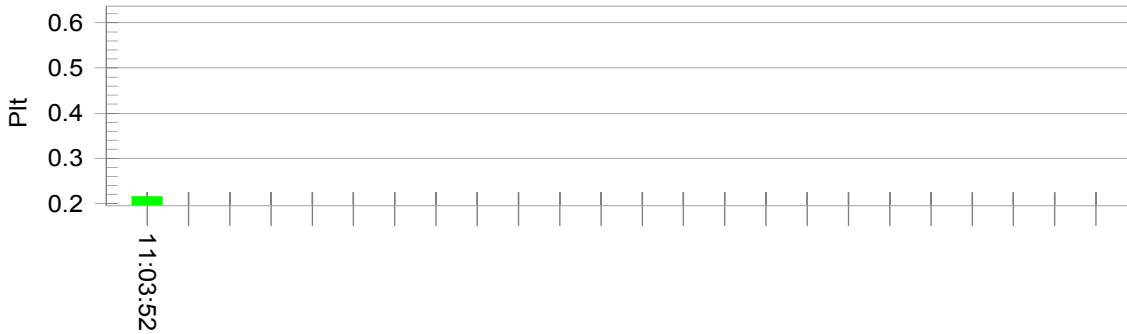
Status: Test Completed

Pst_i and limit line

European Limits



Plt and limit line



Parameter values recorded during the test:

| | | | |
|---------------------------------|--------|------------------|------------|
| Vrms at the end of test (Volt): | 230.06 | | |
| Highest dt (%): | -0.19 | Test limit (%): | 3.14 Pass |
| Time(mS) > dt: | 0.0 | Test limit (mS): | 500.0 Pass |
| Highest dc (%): | -0.12 | Test limit (%): | 3.14 Pass |
| Highest dmax (%): | -0.16 | Test limit (%): | 3.80 Pass |
| Highest Pst (10 min. period): | 0.359 | Test limit: | 0.950 Pass |
| Highest Plt (2 hr. period): | 0.215 | Test limit: | 0.617 Pass |

8 IMMUNITY TEST

8.1. GENERAL DESCRIPTION

| Product Standard | EN 55024: 1998 + A1: 2001 + A2: 2003 | |
|--|--------------------------------------|---|
| | Test Type | Minimum Requirement |
| Basic Standard, Specification, and Performance Criterion required | IEC 61000-4-2 | Electrostatic Discharge – ESD: 8KV air discharge, 4kV Contact discharge, Performance Criterion B |
| | IEC 61000-4-3 | Radio-Frequency Electromagnetic Field Susceptibility Test – RS: 80 ~1000 MHz, 3V/m, 80% AM(1kHz), Performance Criterion A |
| | IEC 61000-4-4 | Electrical Fast Transient/Burst - EFT, AC Power Port: 1kV DC Power Port: 0.5kV Signal Ports and Telecommunication Ports: 0.5kV Performance Criterion B |
| | IEC 61000-4-5 | Surge Immunity Test: 1.2/50 μ s Open Circuit Voltage, 8/20 μ s Short Circuit Current, AC Power Port ~ line to line: 1kV, line to earth (ground): 2kV DC Power Port ~ line to earth: 0.5kV Signal and Telecommunication Ports ~ line to ground: 1kV Performance Criterion B |
| | IEC 61000-4-6 | Conducted Radio Frequency Disturbances Test – CS: 0.15 ~ 80 MHz, 3Vrms, 80% AM, 1kHz, Performance Criterion A |
| | IEC 61000-4-8 | Power frequency magnetic field immunity test 50 Hz, 1A/m Performance Criterion A |
| | IEC 61000-4-11 | Voltage Dips: i) >95% reduction for 0.5 periods, Performance Criterion B ii) 30% reduction for 25 periods, Performance Criterion C Voltage Interruptions: >95% reduction for 250 periods Performance Criterion C |

8.2. GENERAL PERFORMANCE CRITERIA DESCRIPTION

| | |
|---------------------------|--|
| <p>Criteria A:</p> | <p>The apparatus shell continues to operate as intended without operator intervention. No degradation of performance or loss of function is allowed below a performance level specified by the manufacturer, when the apparatus is used as intended. The performance level may be replaced by a permissible loss of performance. If the manufacturer does not specify the minimum performance level or the permissible performance loss, then either of these may be derived from the product description and documentation, and by what the user may reasonably expect from the equipment if used as intended.</p> |
| <p>Criteria B:</p> | <p>After test, the apparatus shell continues to operate as intended without operator intervention. No degradation of performance or loss of function is allowed, after the application of the phenomenon below a performance level specified by the manufacturer, when the apparatus is used as intended. The performance level may be replaced by a permissible loss of performance.</p> <p>During the test, degradation of performance is however allowed. However, no change of operating state if stored data is allowed to persist after the test. If the manufacturer does not specify the minimum performance level or the permissible performance loss, then either of these may be derived from the product description and documentation, and by what the user may reasonably expect from the equipment if used as intended.</p> |
| <p>Criteria C:</p> | <p>Temporary loss of function is allowed, provided the functions is self-recoverable or can be restored by the operation of controls by the user in accordance with the manufacturer instructions.</p> <p>Functions, and/or information stored in non-volatile memory, or protected by a battery backup, shall not be lost.</p> |



8.3. ELECTROSTATIC DISCHARGE (ESD)

8.3.1. TEST SPECIFICATION

| | |
|-----------------------------|---|
| Basic Standard: | IEC 61000-4-2 |
| Discharge Impedance: | 330 ohm / 150 pF |
| Discharge Voltage: | Air Discharge: 2 ; 4 ; 8 kV (Direct) Contact Discharge: 2 ; 4 kV (Direct/Indirect) |
| Polarity: | Positive & Negative |
| Number of Discharge: | Air Discharge: min. 10 times at each test point for each polarity Contact Discharge: min. 200 times in total |
| Discharge Mode: | Single Discharge 1 second minimum |

8.3.2. TEST INSTRUMENT

| IMMUNITY SHIELDED ROOM | | | | |
|------------------------|--------------|---------|---------------|-----------------|
| Name of Equipment | Manufacturer | Model | Serial Number | Calibration Due |
| ESD Simulator | Schaffner | NSG 438 | 170 | 08/20/2010 |
| Thermo-Hygro meter | TECPEL | DTM-303 | 080269 | 05/03/2010 |

Note: The calibration interval of the above test instruments is 12 months and the calibrations are traceable to NML/ROC and NIST/USA.

8.3.3. TEST PROCEDURE (please refer to measurement standard or CCS SOP PA-022)

The discharges shall be applied in two ways:

a) Contact discharges to the conductive surfaces and coupling planes:

The EUT shall be exposed to at least 200 discharges, 100 each at negative and positive polarity, at a minimum of four test points. One of the test points shall be subjected to at least 50 indirect discharges to the center of the front edge of the **Horizontal Coupling Plane (HCP)**. The remaining three test points shall each receive at least 50 direct contact discharges. If no direct contact test points are available, then at least 200 indirect discharges shall be applied in the indirect mode. Test shall be performed at a maximum repetition rate of one discharge per second.

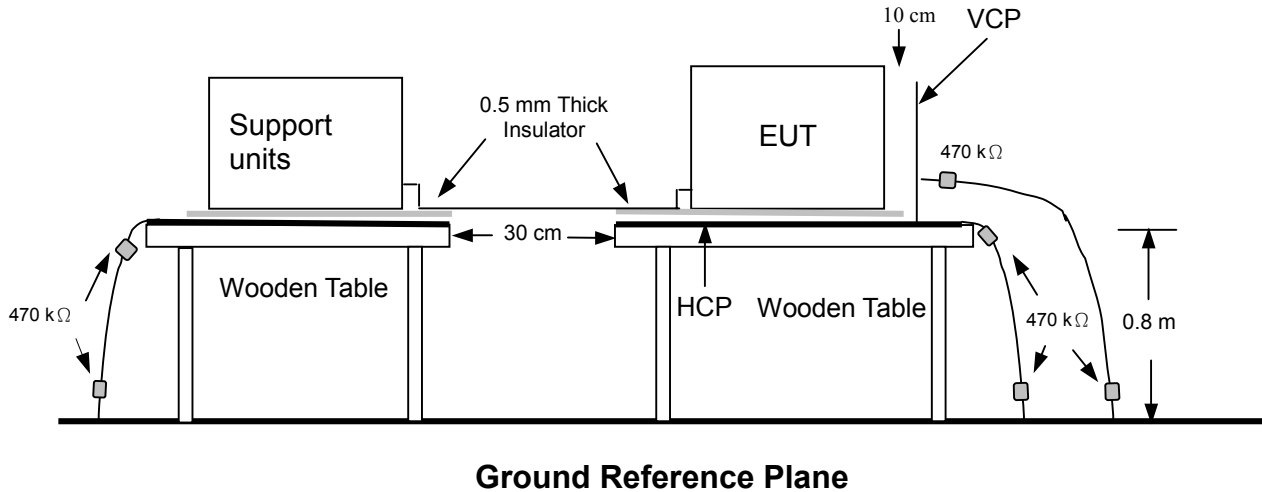
b) Air discharges at slots and apertures and insulating surfaces:

On those parts of the EUT where it is not possible to perform contact discharge testing, the equipment should be investigated to identify user accessible points where breakdown may occur. Such points are tested using the air discharge method. This investigation should be restricted to those area normally handled by the user. A minimum of 10 single air discharges shall be applied to the selected test point for each such area.

The basic test procedure was in accordance with IEC 61000-4-2:

- a) The EUT was located 0.1 m minimum from all side of the **HCP** (dimensions 1.6m x 0.8m).
- b) The support units were located another table 30 cm away from the EUT, but direct support unit was/were located at same location as EUT on the HCP and keep at a distance of 10 cm with EUT.
- c) The time interval between two successive single discharges was at least 1 second.
- d) Contact discharges were applied to the non-insulating coating, with the pointed tip of the generator penetrating the coating and contacting the conducting substrate.
- e) Air discharges were applied with the round discharge tip of the discharge electrode approaching the EUT as fast as possible (without causing mechanical damage) to touch the EUT. After each discharge, the ESD generator was removed from the EUT and re-triggered for a new single discharge. The test was repeated until all discharges were complete.
- f) At least ten single discharges (in the most sensitive polarity) were applied at the front edge of each **HCP** opposite the center point of each unit of the EUT and 0.1 meters from the front of the EUT. The long axis of the discharge electrode was in the plane of the **HCP** and perpendicular to its front edge during the discharge.
- g) At least ten single discharges (in the most sensitive polarity) were applied to the center of one vertical edge of the **Vertical Coupling Plane (VCP)** in sufficiently different positions that the four faces of the EUT were completely illuminated. The **VCP** (dimensions 0.5m x 0.5m) was placed vertically to and 0.1 meters from the EUT.

8.3.4. TEST SETUP



- For the actual test configuration, please refer to the related item – Photographs of the Test Configuration.

Note:

TABLETOP EQUIPMENT

The configuration consisted of a wooden table 0.8 meters high standing on the **Ground Reference Plane**. The **GRP** consisted of a sheet of aluminum at least 0.25mm thick, and 2.5 meters square connected to the protective grounding system. A **Horizontal Coupling Plane** (1.6m x 0.8m) was placed on the table and attached to the **GRP** by means of a cable with 940k total impedance. The equipment under test, was installed in a representative system as described in section 7 of IEC 61000-4-2, and its cables were placed on the **HCP** and isolated by an insulating support of 0.5mm thickness. A distance of 1-meter minimum was provided between the EUT and the walls of the laboratory and any other metallic structure.

FLOOR-STANDING EQUIPMENT

The equipment under test was installed in a representative system as described in section 7 of IEC 61000-4-2, and its cables were isolated from the Ground Reference Plane by an insulating support of 0.1-meter thickness. The GRP consisted of a sheet of aluminum that is at least 0.25mm thick, and 2.5 meters square connected to the protective grounding system and extended at least 0.5 meters from the EUT on all sides.



8.3.5. TEST RESULTS

| | | | |
|------------------------------|----------|-------------|------------|
| Temperature | 20°C | Humidity | 50% RH |
| Pressure | 1010mbar | Tested By | Kaka Huang |
| Required Passing Performance | | Criterion B | |

| Air Discharge | | | | | | | | |
|---------------|-------------------------------------|-------------------------------------|-------------------------------------|-------------------------------------|--------------------------|---------------------------------------|----------------------------|---|
| Test Points | Test Levels | | | Results | | | | |
| | ± 2 KV | ± 4 KV | ± 8 KV | Pass | Fail | Performance Criterion | | Observation |
| Front | <input checked="" type="checkbox"/> | <input checked="" type="checkbox"/> | <input checked="" type="checkbox"/> | <input checked="" type="checkbox"/> | <input type="checkbox"/> | <input checked="" type="checkbox"/> A | <input type="checkbox"/> B | Note <input type="checkbox"/> 1 <input checked="" type="checkbox"/> 2 |
| Back | <input checked="" type="checkbox"/> | <input checked="" type="checkbox"/> | <input checked="" type="checkbox"/> | <input checked="" type="checkbox"/> | <input type="checkbox"/> | <input checked="" type="checkbox"/> A | <input type="checkbox"/> B | Note <input checked="" type="checkbox"/> 1 <input type="checkbox"/> 2 |
| Left | <input checked="" type="checkbox"/> | <input checked="" type="checkbox"/> | <input checked="" type="checkbox"/> | <input checked="" type="checkbox"/> | <input type="checkbox"/> | <input checked="" type="checkbox"/> A | <input type="checkbox"/> B | Note <input type="checkbox"/> 1 <input checked="" type="checkbox"/> 2 |
| Right | <input checked="" type="checkbox"/> | <input checked="" type="checkbox"/> | <input checked="" type="checkbox"/> | <input checked="" type="checkbox"/> | <input type="checkbox"/> | <input checked="" type="checkbox"/> A | <input type="checkbox"/> B | Note <input type="checkbox"/> 1 <input checked="" type="checkbox"/> 2 |
| Top | <input checked="" type="checkbox"/> | <input checked="" type="checkbox"/> | <input checked="" type="checkbox"/> | <input checked="" type="checkbox"/> | <input type="checkbox"/> | <input checked="" type="checkbox"/> A | <input type="checkbox"/> B | Note <input type="checkbox"/> 1 <input checked="" type="checkbox"/> 2 |
| Bottom | <input checked="" type="checkbox"/> | <input checked="" type="checkbox"/> | <input checked="" type="checkbox"/> | <input checked="" type="checkbox"/> | <input type="checkbox"/> | <input checked="" type="checkbox"/> A | <input type="checkbox"/> B | Note <input type="checkbox"/> 1 <input checked="" type="checkbox"/> 2 |

| Contact Discharge | | | | | | | | |
|-------------------|-------------------------------------|-------------------------------------|--------------------------|-------------------------------------|--------------------------|---------------------------------------|----------------------------|---|
| Test Points | Test Levels | | | Results | | | | |
| | ± 2 KV | ± 4 KV | ± 8 KV | Pass | Fail | Performance Criterion | | Observation |
| Back | <input checked="" type="checkbox"/> | <input checked="" type="checkbox"/> | <input type="checkbox"/> | <input checked="" type="checkbox"/> | <input type="checkbox"/> | <input checked="" type="checkbox"/> A | <input type="checkbox"/> B | Note <input checked="" type="checkbox"/> 1 <input type="checkbox"/> 2 |

Please refer to ESD test photo on next page for detail discharge point

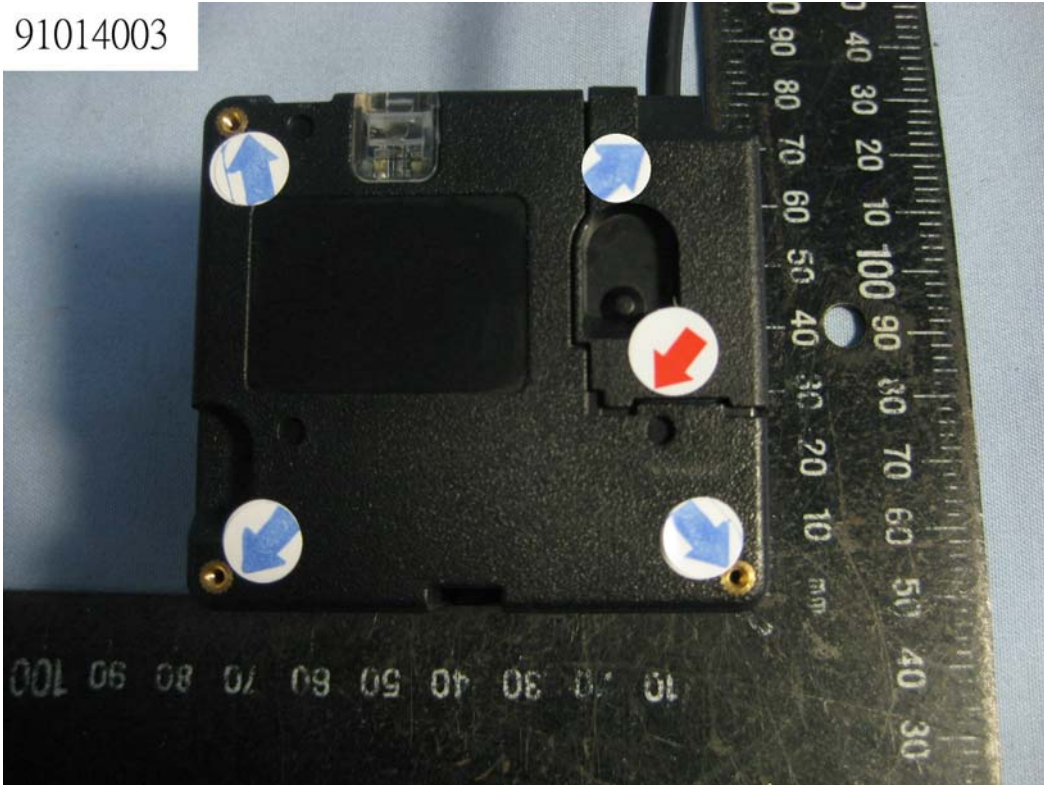
| Discharge To Horizontal Coupling Plane | | | | | | | | |
|--|-------------------------------------|-------------------------------------|--------------------------|-------------------------------------|--------------------------|---------------------------------------|----------------------------|---|
| Side of EUT | Test Levels | | | Results | | | | |
| | ± 2 KV | ± 4 KV | ± 8 KV | Pass | Fail | Performance Criterion | | Observation |
| Front | <input checked="" type="checkbox"/> | <input checked="" type="checkbox"/> | <input type="checkbox"/> | <input checked="" type="checkbox"/> | <input type="checkbox"/> | <input checked="" type="checkbox"/> A | <input type="checkbox"/> B | Note <input checked="" type="checkbox"/> 1 <input type="checkbox"/> 2 |
| Back | <input checked="" type="checkbox"/> | <input checked="" type="checkbox"/> | <input type="checkbox"/> | <input checked="" type="checkbox"/> | <input type="checkbox"/> | <input checked="" type="checkbox"/> A | <input type="checkbox"/> B | Note <input checked="" type="checkbox"/> 1 <input type="checkbox"/> 2 |
| Left | <input checked="" type="checkbox"/> | <input checked="" type="checkbox"/> | <input type="checkbox"/> | <input checked="" type="checkbox"/> | <input type="checkbox"/> | <input checked="" type="checkbox"/> A | <input type="checkbox"/> B | Note <input checked="" type="checkbox"/> 1 <input type="checkbox"/> 2 |
| Right | <input checked="" type="checkbox"/> | <input checked="" type="checkbox"/> | <input type="checkbox"/> | <input checked="" type="checkbox"/> | <input type="checkbox"/> | <input checked="" type="checkbox"/> A | <input type="checkbox"/> B | Note <input checked="" type="checkbox"/> 1 <input type="checkbox"/> 2 |

| Discharge To Vertical Coupling Plane | | | | | | | | |
|--------------------------------------|-------------------------------------|-------------------------------------|--------------------------|-------------------------------------|--------------------------|---------------------------------------|----------------------------|---|
| Side of EUT | Test Levels | | | Results | | | | |
| | ± 2 KV | ± 4 KV | ± 8 KV | Pass | Fail | Performance Criterion | | Observation |
| Front | <input checked="" type="checkbox"/> | <input checked="" type="checkbox"/> | <input type="checkbox"/> | <input checked="" type="checkbox"/> | <input type="checkbox"/> | <input checked="" type="checkbox"/> A | <input type="checkbox"/> B | Note <input checked="" type="checkbox"/> 1 <input type="checkbox"/> 2 |
| Back | <input checked="" type="checkbox"/> | <input checked="" type="checkbox"/> | <input type="checkbox"/> | <input checked="" type="checkbox"/> | <input type="checkbox"/> | <input checked="" type="checkbox"/> A | <input type="checkbox"/> B | Note <input checked="" type="checkbox"/> 1 <input type="checkbox"/> 2 |
| Left | <input checked="" type="checkbox"/> | <input checked="" type="checkbox"/> | <input type="checkbox"/> | <input checked="" type="checkbox"/> | <input type="checkbox"/> | <input checked="" type="checkbox"/> A | <input type="checkbox"/> B | Note <input checked="" type="checkbox"/> 1 <input type="checkbox"/> 2 |
| Right | <input checked="" type="checkbox"/> | <input checked="" type="checkbox"/> | <input type="checkbox"/> | <input checked="" type="checkbox"/> | <input type="checkbox"/> | <input checked="" type="checkbox"/> A | <input type="checkbox"/> B | Note <input checked="" type="checkbox"/> 1 <input type="checkbox"/> 2 |

Note: 1. There was no change compared with initial operation during the test.
2. No discharge point.

The Photo for Discharge Points of EUT
Back

91014003



Red Dot —Air Discharged
Blue Dot —Contact Discharged



8.4. RADIATED, RADIO-FREQUENCY, ELECTROMAGNETIC FIELD (RS)

8.4.1. TEST SPECIFICATION

| | |
|-----------------------------|------------------------------------|
| Basic Standard: | IEC 61000-4-3 |
| Frequency Range: | 80 MHz ~1000 MHz |
| Field Strength: | 3 V/m |
| Modulation: | 1kHz Sine Wave, 80%, AM Modulation |
| Frequency Step: | 1 % of preceding frequency value |
| Polarity of Antenna: | Horizontal and Vertical |
| Test Distance: | 3 m |
| Antenna Height: | 1.5m |

8.4.2. TEST INSTRUMENT

| 733 RS Chamber | | | | |
|----------------------|------------------------|------------|-----------------|-------------------------|
| Name of Equipment | Manufacturer | Model | Serial Number | Calibration Due |
| Calibration of Field | N/A | Chamber#RS | Ver(Hor)-200805 | 06/16/2010 |
| Signal Generator | Agilent | E4421B | MY43350597 | 05/21/2010 |
| Electric Field Probe | AR | FP6001 | 305650 | 06/02/2010 |
| RF Power Meter | Boonton | 4231A | 39601 | 08/16/2010 |
| Amplifier | AR | 100W1000M1 | 17564 | No Calibration Required |
| Direction Coupler | AR | DC6180A | 312189 | No Calibration Required |
| Broadband Antenna | AR | AT1080 | 311819 | No Calibration Required |
| Thermo-Hygro meter | TFA | N/A | NO.6 | 11/10/2010 |
| Software | SW1005 Release 1.4.exe | | | |

Note:

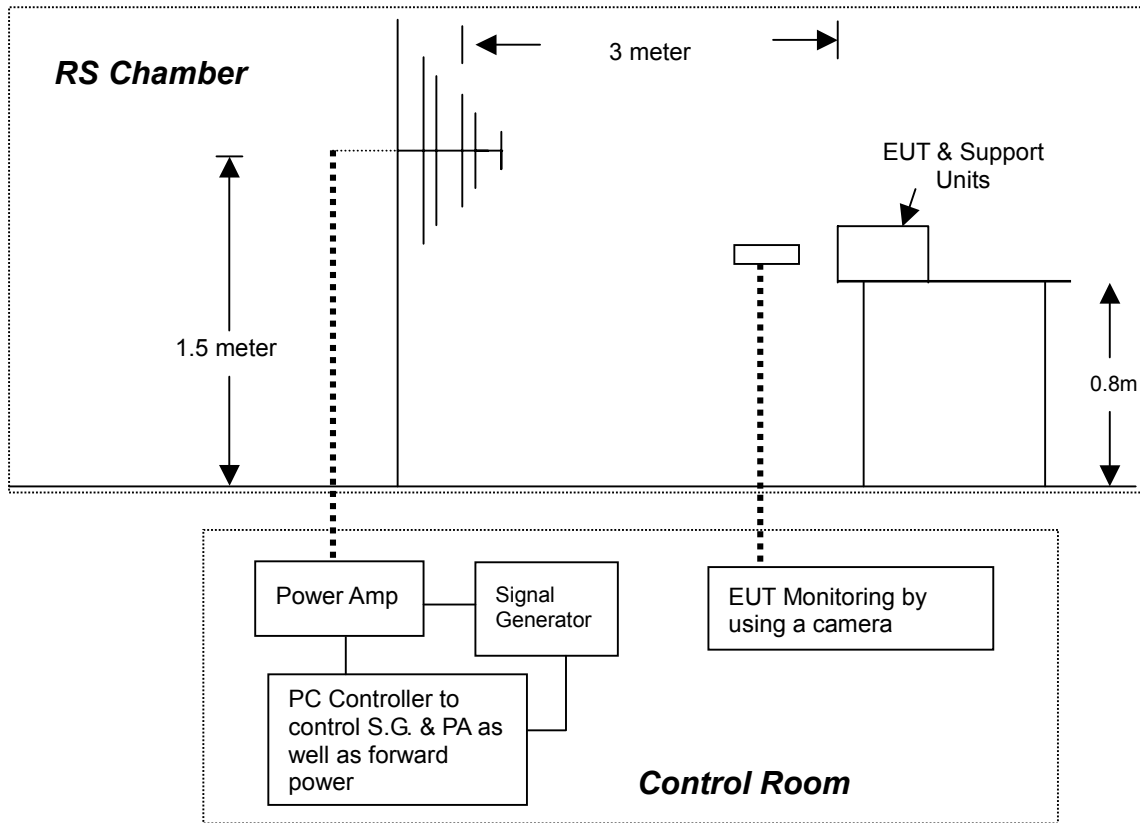
1. The calibration interval of the above test instruments is 12 months and the calibrations are traceable to NML/ROC and NIST/USA.
2. N.C.R.= No Calibration required

8.4.3. TEST PROCEDURE (please refer to measurement standard or CCS SOP PA-023)

The test procedure was in accordance with IEC 61000-4-3

- a) The testing was performed in a fully anechoic chamber. The transmit antenna was located at a distance of 3 meters from the EUT.
- b) The frequency range is swept from 80 MHz to 1000 MHz, with the signal 80% amplitude modulated with a 1kHz sine-wave. The rate of sweep did not exceed 1.5×10^{-3} decade/s, where the frequency range is swept incrementally, the step size was 1% of preceding frequency value.
- c) The dwell time at each frequency shall be not less than the time necessary for the EUT to be able to respond.
- e) The test was performed with the EUT exposed to both vertically and horizontally polarized fields on each of the four sides.

8.4.4. TEST SETUP



- For the actual test configuration, please refer to the related item – Photographs of the Test Configuration.

Note:

TABLETOP EQUIPMENT

The EUT installed in a representative system as described in section 7 of IEC 61000-4-3 was placed on a non-conductive table 0.8 meters in height. The system under test was connected to the power and signal wire according to relevant installation instructions.

FLOOR-STANDING EQUIPMENT

The EUT installed in a representative system as described in section 7 of IEC 61000-4-3 was placed on a non-conductive wood support 0.1 meters in height. The system under test was connected to the power and signal wire according to relevant installation instructions.



8.4.5. TEST RESULTS

| | | | |
|-------------|------------|------------------------------|-------------|
| Temperature | 20°C | Humidity | 50% RH |
| Pressure | 1010mbar | Dwell Time | 3 sec. |
| Tested By | Kaka Huang | Required Passing Performance | Criterion A |

| Frequency (MHz) | Polarity | Azimuth | Field Strength (V/m) | Performance Criterion | Observation | Result |
|-----------------|----------|---------|----------------------|--|-------------|--------|
| 80 ~ 1000 | V&H | 0 | 3 | <input checked="" type="checkbox"/> A <input type="checkbox"/> B | Note | PASS |
| 80 ~ 1000 | V&H | 90 | 3 | <input checked="" type="checkbox"/> A <input type="checkbox"/> B | Note | PASS |
| 80 ~ 1000 | V&H | 180 | 3 | <input checked="" type="checkbox"/> A <input type="checkbox"/> B | Note | PASS |
| 80 ~ 1000 | V&H | 270 | 3 | <input checked="" type="checkbox"/> A <input type="checkbox"/> B | Note | PASS |

Note: There was no change compared with the initial operation during the test.



8.5. ELECTRICAL FAST TRANSIENT (EFT)

8.5.1. TEST SPECIFICATION

| | |
|----------------------------|----------------------|
| Basic Standard: | IEC 61000-4-4 |
| Test Voltage: | AC Power Port: 1kV |
| Polarity: | Positive & Negative |
| Impulse Frequency: | 5 kHz |
| Impulse Wave-shape: | 5/50 ns |
| Burst Duration: | 15 ms |
| Burst Period: | 300 ms |
| Test Duration: | Not less than 1 min. |

8.5.2. TEST INSTRUMENT

| Immunity Shield Room | | | | |
|------------------------|--------------|-------------------|---------------|-------------------------|
| Name of Equipment | Manufacturer | Model | Serial Number | Calibration Due |
| EFT-Surge-Dip Gnerator | EMC-Partner | TRANSIENT-2000IN6 | 904 | 07/01/2010 |
| Capacitive Clamp | EMC-Partner | CN-EFT1000 | 589 | No Calibration Required |
| Software | WinBest.exe | | | |

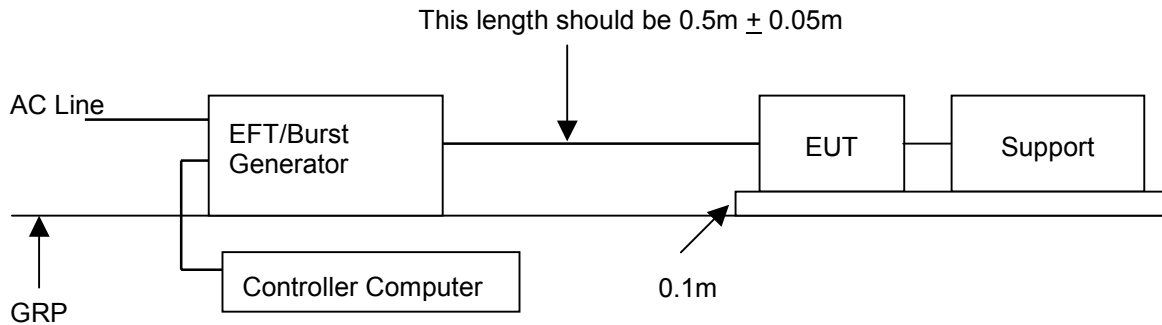
Note:

1. The calibration interval of the above test instruments is 12 months and the calibrations are traceable to NML/ROC and NIST/USA.
2. N.C.R.= No Calibration required

8.5.3. TEST PROCEDURE (please refer to measurement standard or CCS SOP PA-024)

- a) Both positive and negative polarity discharges were applied.
- b) The length of the “hot wire” from the coaxial output of the EFT generator to the terminals on the EUT should not exceed 0.5 meter.
- c) The duration time of each test sequential was 1 minute.
- d) The transient/burst waveform was in accordance with IEC 61000-4-4, 5/50ns.

8.5.4. TEST SETUP



- For the actual test configuration, please refer to the related item – Photographs of the Test Configuration.

Note:

TABLETOP EQUIPMENT

The configuration consisted of a wooden table (0.1m high) standing on the Ground Reference Plane. The GRP consisted of a sheet of aluminum (at least 0.25mm thick and 2.5m square) connected to the protective grounding system. A minimum distance of 0.5m was provided between the EUT and the walls of the laboratory or any other metallic structure.

FLOOR-STANDING EQUIPMENT

The EUT installed in a representative system as described in section 7 of IEC 61000-4-4 and its cables, were isolated from the Ground Reference Plane by an insulating support that is 0.1-meter thick. The GRP consisted of a sheet of aluminum (at least 0.25mm thick and 2.5m square) connected to the protective grounding system.

8.5.5. TEST RESULTS

| | | | |
|-------------------------------------|----------|--------------------|------------|
| Temperature | 20°C | Humidity | 50% RH |
| Pressure | 1010mbar | Tested By | Kaka Huang |
| Required Passing Performance | | Criterion B | |

| Test Point | Polarity | Test Level (kV) | Performance Criterion | Observation | Result |
|------------|----------|-----------------|--|---|--------|
| L | +/- | 1 | <input checked="" type="checkbox"/> A <input type="checkbox"/> B | Note <input checked="" type="checkbox"/> 1 <input type="checkbox"/> 2 | PASS |
| N | +/- | 1 | <input checked="" type="checkbox"/> A <input type="checkbox"/> B | Note <input checked="" type="checkbox"/> 1 <input type="checkbox"/> 2 | PASS |
| L – N | +/- | 1 | <input checked="" type="checkbox"/> A <input type="checkbox"/> B | Note <input checked="" type="checkbox"/> 1 <input type="checkbox"/> 2 | PASS |

Note: There was no change compared with initial operation during the test.



8.6. SURGE IMMUNITY TEST

8.6.1. TEST SPECIFICATION

| | |
|------------------------------------|---|
| Basic Standard: | IEC 61000-4-5 |
| Wave-Shape: | Combination Wave 1.2/50 μ s Open Circuit Voltage 8/20 μ s Short Circuit Current |
| Test Voltage: | AC Power Port~ line to line: 1kV |
| Surge Input/Output: | AC Power Line: L-N |
| Generator Source Impedance: | 2 ohm between networks 12 ohm between network and ground |
| Polarity: | Positive/Negative |
| Phase Angle: | 0° / 90° / 180° / 270° |
| Pulse Repetition Rate: | 1 time / min. (maximum) |
| Number of Tests: | 5 positive and 5 negative at selected points |

8.6.2. TEST INSTRUMENT

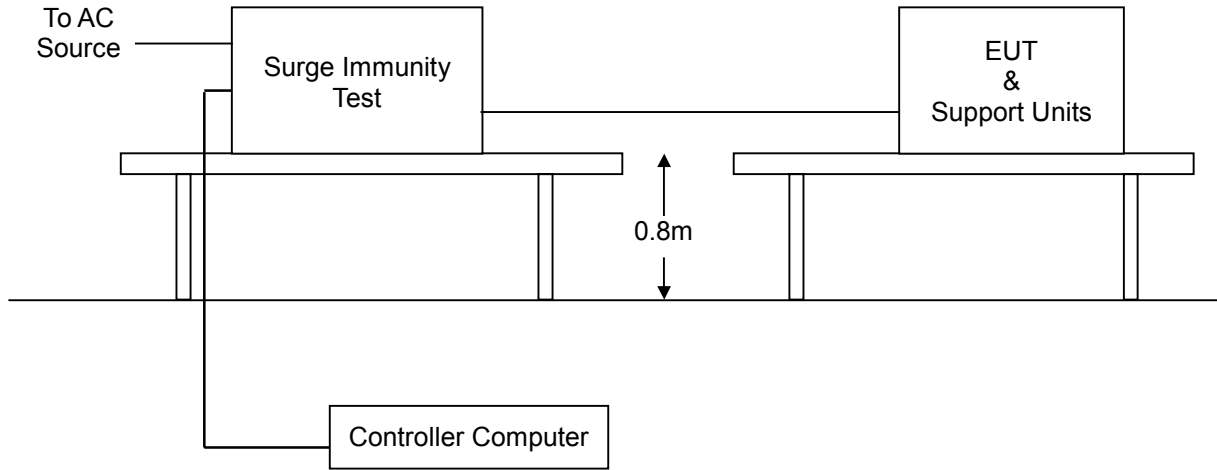
| Immunity Shield Room | | | | |
|--|--------------|-------------------|---------------|-------------------------|
| Name of Equipment | Manufacturer | Model | Serial Number | Calibration Due |
| EFT-Surge-Dip Grnerator | EMC-Partner | TRANSIENT-2000IN6 | 904 | 07/01/2010 |
| Signal and Data Lines Coupling Network | Schaffner | CDN118 | 19328 | No Calibration Required |
| Software | WinBest.exe | | | |

Note: 1. The calibration interval of the above test instruments is 12 months and the calibrations are traceable to NML/ROC and NIST/USA.
2. N.C.R.= No Calibration required

8.6.3. TEST PROCEDURE (please refer to measurement standard or CCS SOP PA-025)

- a) For EUT power supply:
The surge is applied to the EUT power supply terminals via the capacitive coupling network. Decoupling networks are required in order to avoid possible adverse effects on equipment not under test that may be powered by the same lines, and to provide sufficient decoupling impedance to the surge wave. The power cord between the EUT and the coupling/decoupling networks was shorter than 2 meters in length.
- b) For test applied to unshielded un-symmetrically operated interconnection lines of EUT:
The surge was applied to the lines via the capacitive coupling. The coupling / decoupling networks didn't influence the specified functional conditions of the EUT. The interconnection line between the EUT and the coupling/decoupling networks was shorter than 2 meters in length.
- c) For test applied to unshielded symmetrically operated interconnection / telecommunication lines of EUT:
The surge was applied to the lines via gas arrestors coupling. Test levels below the ignition point of the coupling arrestor were not specified. The interconnection line between the EUT and the coupling/decoupling networks was shorter than 2 meters in length.

8.6.4. TEST SETUP



- For the actual test configuration, please refer to the related item – Photographs of the Test Configuration.

8.6.5. TEST RESULTS

| | | | |
|-------------------------------------|----------|--------------------|------------|
| Temperature | 20°C | Humidity | 50% RH |
| Pressure | 1010mbar | Tested By | Kaka Huang |
| Required Passing Performance | | Criterion B | |

| Test Point | Polarity | Test Level (kV) | Performance Criterion | Observation | Result |
|------------|----------|-----------------|--|---|--------|
| L - N | +/- | 1 | <input checked="" type="checkbox"/> A <input type="checkbox"/> B | Note <input checked="" type="checkbox"/> 1 <input type="checkbox"/> 2 | PASS |

Note: 1. There was no change compared with initial operation during the test.



8.7. CONDUCTED RADIO FREQUENCY DISTURBANCES (CS)

8.7.1. TEST SPECIFICATION

| | |
|-------------------------|------------------------------------|
| Basic Standard: | IEC 61000-4-6 |
| Frequency Range: | 0.15 MHz ~ 80 MHz |
| Field Strength: | 3 Vrms |
| Modulation: | 1kHz Sine Wave, 80%, AM Modulation |
| Frequency Step: | 1 % of preceding frequency value |
| Coupled cable: | Power Mains, Unshielded |
| Coupling device: | CDN-M2 (2 wires) |

8.7.2. TEST INSTRUMENT

| CS Room | | | | |
|-------------------|--------------|-----------|---------------|-------------------------|
| Name of Equipment | Manufacturer | Model | Serial Number | Calibration Due |
| CWS Generator | EM Test | CWS 500N1 | V0395105080 | 09/28/2010 |
| CDN | Schaffner | CDN M316 | 19600 | 07/29/2010 |
| CDN | Schaffner | CDN M216 | 19294 | 07/29/2010 |
| EM Clamp | Schaffner | KEMZ 801 | 19227 | 03/03/2010 |
| CDN | Schaffner | CDN T002 | 15881 | 01/07/2010 |
| CDN | Teseq | CDN T400A | 25674 | 01/07/2010 |
| CDN | Teseq | CDN T800 | 26155 | 01/07/2010 |
| Attenuator | EMCI | SA3NL | 10006F | No Calibration Required |
| Software | Win2070.exe | | | |

Note:

1. The calibration interval of the above test instruments is 12 months and the calibrations are traceable to NML/ROC and NIST/USA.
2. N.C.R.= No Calibration required

8.7.3. TEST PROCEDURE (please refer to measurement standard or CCS SOP PA-026)

The EUT shall be tested within its intended operating and climatic conditions.

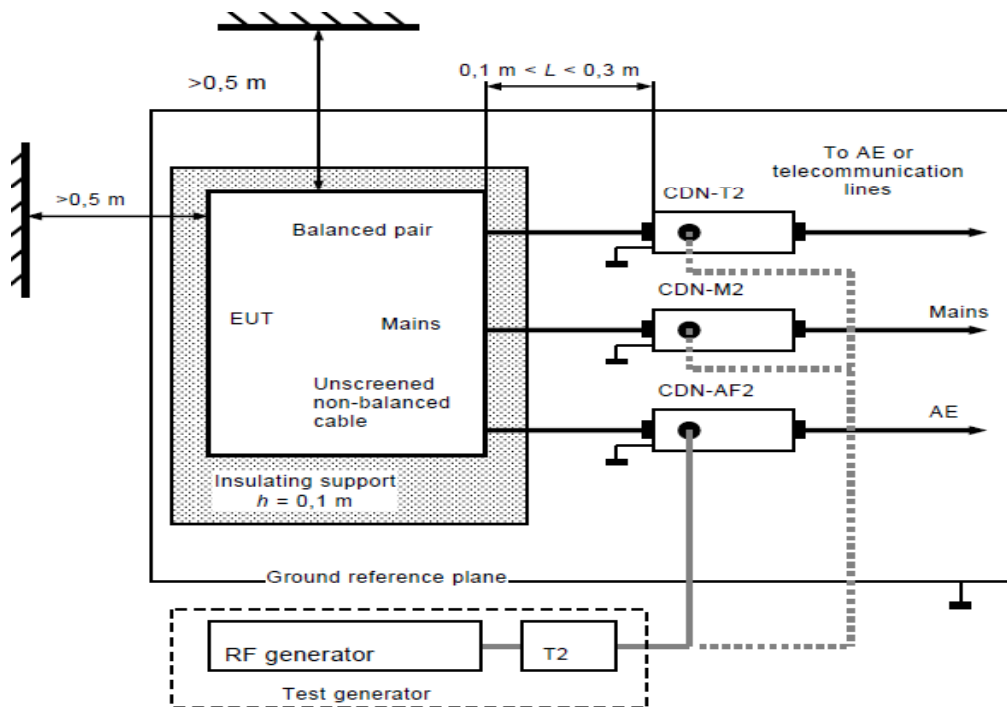
The test shall be performed with the test generator connected to each of the coupling and decoupling devices in turn, while the other non-excited RF input ports of the coupling devices are terminated by a 50-ohm load resistor.

The frequency range was swept from 150 kHz to 80 MHz, using the signal level established during the setting process and with a disturbance signal of 80 % amplitude. The signal was modulated with a 1 kHz sine wave, pausing to adjust the RF signal level or the switch coupling devices as necessary. The sweep rate was 1.5×10^{-3} decades/s. Where the frequency range is swept incrementally, the step size was 1 % of preceding frequency value from 150 kHz to 80 MHz.

The dwell time at each frequency was less than the time necessary for the EUT to be exercised, and able to respond. Sensitive frequencies such as clock frequency(ies) and harmonics or frequencies of dominant interest, was analyzed separately.

Attempts were made to fully exercise the EUT during testing, and to fully interrogate all exercise modes selected for susceptibility.

8.7.4. TEST SETUP



- Note:**
1. The EUT is setup 0.1m above Ground Reference Plane
 2. The CDNs and / or EM clamp used for real test depend on ports and cables configuration of EUT.

- For the actual test configuration, please refer to the related item – Photographs of the Test Configuration.

Note:

TABLETOP AND FLOOR-STANDING EQUIPMENT

The equipment to be tested is placed on an insulating support of 0.1 meters height above a ground reference plane. All relevant cables shall be provided with the appropriate coupling and decoupling devices at a distance between 0.1 meters and 0.3 meters from the projected geometry of the EUT on the ground reference plane.



8.7.5. TEST RESULTS

| | | | |
|------------------------------|----------|-------------|------------|
| Temperature | 20°C | Humidity | 50% RH |
| Pressure | 1010mbar | Tested By | Kaka Huang |
| Required Passing Performance | | Criterion A | |

| Frequency Band (MHz) | Field Strength (Vrms) | Cable | Injection Method | Performance Criterion | Observation | Result |
|----------------------|-----------------------|----------------------|------------------|--|---|--------|
| 0.15 ~ 80 | 3 | AC Power Line (0.3m) | CDN-M2 | <input checked="" type="checkbox"/> A <input type="checkbox"/> B | Note <input checked="" type="checkbox"/> 1 <input type="checkbox"/> 2 | PASS |

Note: There was no change compared with initial operation during the test.



8.8. POWER FREQUENCY MAGNETIC FIELD

8.8.1. TEST SPECIFICATION

| | |
|--------------------------|-------------------------|
| Basic Standard: | IEC 61000-4-8 |
| Frequency Range: | 50Hz |
| Field Strength: | 1 A/m |
| Observation Time: | 1 minute |
| Inductance Coil: | Rectangular type, 1mx1m |

8.8.2. TEST INSTRUMENT

| Immunity Shield Room | | | | |
|--------------------------|--------------|-----------|---------------|-------------------------|
| Name of Equipment | Manufacturer | Model | Serial Number | Calibration Due |
| Induction Coil Interface | Schaffner | INA 21141 | 6009 | No Calibration Required |
| 5KVA AC Power Source | Schaffner | NSG 1007 | 55131 | No Calibration Required |
| TRMS Clamp Meter | CHY | 932C | 995000273 | 06/14/2010 |
| Magnetic Field Meter | Sypris | 4080 | 0247 | 03/11/2010 |

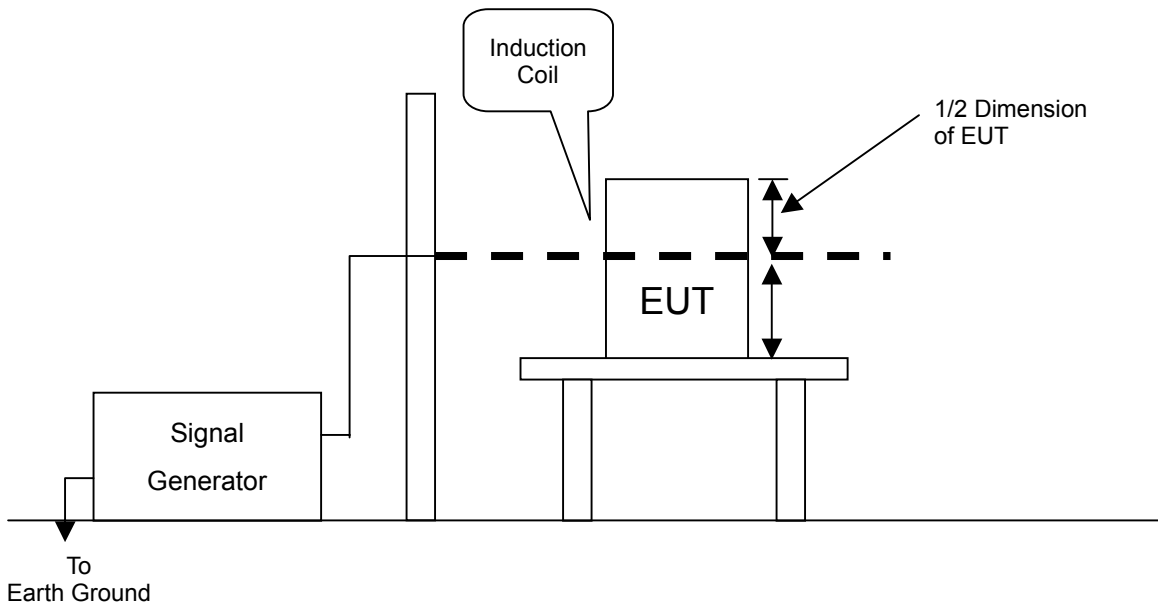
Note:

1. The calibration interval of the above test instruments is 12 months and the calibrations are traceable to NML/ROC and NIST/USA.
2. N.C.R.= No Calibration required

8.8.3. TEST PROCEDURE (please refer to measurement standard or CCS SOP PA-027)

- a) The equipment is configured and connected to satisfy its functional requirements. It shall be placed on the GRP with the interposition of a 0.1m-thick insulating support.
- b) The equipment cabinets shall be connected to the safety earth directly on the GRP via the earth terminal of the EUT.
- c) The power supply, input and output circuits shall be connected to the sources of power supply, control and signal.
- d) The cables supplied or recommended by the equipment manufacturer shall be used. 1 meter of all cables used shall be exposed to the magnetic field.

8.8.4. TEST SETUP



- For the actual test configuration, please refer to the related item - Photographs of the Test Configuration.

Note:

TABLETOP EQUIPMENT

The equipment shall be subjected to the test magnetic field by using the induction coil of standard dimension (1 m x 1 m). The induction coil shall then be rotated by 90 degrees in order to expose the EUT to the test field with different orientations.

FLOOR-STANDING EQUIPMENT

The equipment shall be subjected to the test magnetic field by using induction coils of suitable dimensions. The test shall be repeated by moving and shifting the induction coils, in order to test the whole volume of the EUT for each orthogonal direction. The test shall be repeated with the coil shifted to different positions along the side of the EUT, in steps corresponding to 50 % of the shortest side of the coil. The induction coil shall then be rotated by 90 degrees in order to expose the EUT to the test field with different orientations.

8.8.5. TEST RESULTS

| | | | |
|-------------------------------------|-----|--------------------|-----|
| Temperature | N/A | Humidity | N/A |
| Pressure | N/A | Tested By | N/A |
| Required Passing Performance | | Criterion A | |

| DIRECTION | Field Strength (A/m) | Performance Criterion | OBSERVATION | RESULTS |
|------------------|-----------------------------|------------------------------|--------------------|----------------|
| X | 1 | A | Note | N/A |
| Y | 1 | A | Note | N/A |
| Z | 1 | A | Note | N/A |

Note: The EUT is not containing any component that is susceptible to a 50 Hz or 60 Hz magnetic field. Therefore, this requirement is not applicable to the EUT.

8.9. VOLTAGE DIPS & VOLTAGE INTERRUPTIONS

8.9.1. TEST SPECIFICATION

| | |
|--------------------------------|--|
| Basic Standard: | IEC 61000-4-11 |
| Test duration time: | Minimum three test events in sequence |
| Interval between event: | Minimum 10 seconds |
| Phase Angle: | 0° / 45° / 90° / 135° / 180° / 225° / 270° / 315° / 360° |
| Test cycle: | 3 times |

8.9.2. TEST INSTRUMENT

| Immunity shielded room | | | | |
|--------------------------|---------------|------------|---------------|-----------------|
| Name of Equipment | Manufacturer | Model | Serial Number | Calibration Due |
| Signal Conditioning Unit | Schaffner | CCN 1000-1 | 72122 | 11/23/2010 |
| 5KVA AC Power Source | Schaffner | NSG 1007 | 55131 | 11/23/2010 |
| Software | Win2100V3.exe | | | |

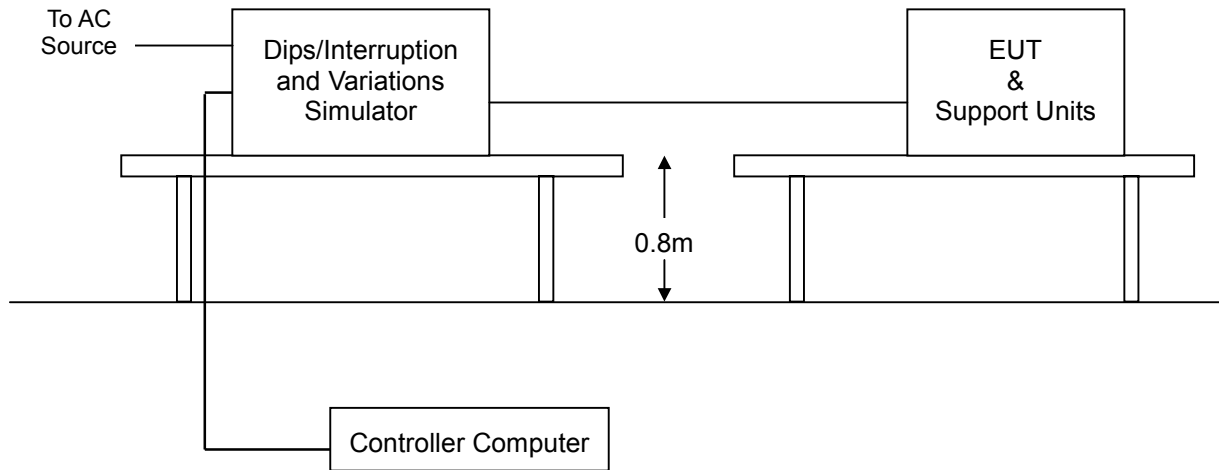
Note:

1. The calibration interval of the above test instruments is 12 months and the calibrations are traceable to NML/ROC and NIST/USA.
2. N.C.R.= No Calibration required

8.9.3. TEST PROCEDURE (please refer to measurement standard or CCS SOP PA-028)

- a) The EUT and support units were located on a wooden table, 0.8 m away from ground floor.
- b) Setting the parameter of tests and then perform the test software of test simulator.
- c) Conditions changes to occur at 0 degree crossover point of the voltage waveform.
- d) Recording the test result in test record form.

8.9.4. TEST SETUP



- For the actual test configuration, please refer to the related item – Photographs of the Test Configuration.

8.9.5. TEST RESULTS

| | | | |
|------------------------------|---|-----------|------------|
| Temperature | 20°C | Humidity | 50% RH |
| Pressure | 1010mbar | Tested By | Kaka Huang |
| Required Passing Performance | Criterion B: >95% reduction 0.5 periods Criterion C: 30% reduction 25 periods & >95% reduction 250 periods | | |

| Test Power: 230Vac, 50Hz | | | | |
|--------------------------|-------------------|---|---|-------------|
| Voltage (% Reduction) | Duration (Period) | Performance Criterion | Observation | Test Result |
| >95 | 0.5 | <input checked="" type="checkbox"/> A <input type="checkbox"/> B <input type="checkbox"/> C | Note <input checked="" type="checkbox"/> 1 <input type="checkbox"/> 2 | PASS |
| 30 | 25 | <input checked="" type="checkbox"/> A <input type="checkbox"/> B <input type="checkbox"/> C | Note <input checked="" type="checkbox"/> 1 <input type="checkbox"/> 2 | PASS |
| >95 | 250 | <input type="checkbox"/> A <input type="checkbox"/> B <input checked="" type="checkbox"/> C | Note <input type="checkbox"/> 1 <input checked="" type="checkbox"/> 2 | PASS |

Note:

1. There was no change compared with initial operation during and after the test. No unintentional response was found during the test.
2. EUT shut down, it could not become normal except reinstalled by operator.

9 PHOTOGRAPHS OF THE TEST CONFIGURATION CONDUCTED EMISSION TEST



RADIATED EMISSION TEST



HARMONIC & FLICKER TEST



ESD TEST



RS TEST



EFT TEST



SURGE TEST



CS TEST



VOLTAGE DIPS / INTERRUPTIONS TEST

