

Automation and Control

Table of Contents

Automation

Capacitive Proximity Sensors	3-51
Connector Cables (for plug-in proximity sensors)	3-53
Counters, Digital	3-86
Current Sensors	3-64
DC Power Supplies	3-91
Float switches, metal & plastic	3-90
Foot Switches	3-15
Inductive Proximity Sensors	3-41
Limit Switches	3-8
Liquid Level Controllers	3-91
Eaton Logic Controllers	3-4
Operator Interfaces (Touchscreens)	3-2
Photoelectric Sensors	3-54
Pressure Switches, water pump	3-90
Programmable Logic Controllers (incl. smart relays)	3-6
Pull Wire Switches	3-16
Relays, Monitoring	3-81
Relays, Plug-in & interface	3-72
Relays, Solid-state	3-79
Temperature Controllers	3-92
Time Switches, Analog	3-82
Timers, DIN rail	3-82
Time switches, Digital	3-84
Totalisers, Ratemeters & Counters, Durant	3-86

22.5mm Pushbuttons - E22

Pushbutton Operators Non-Illuminated	3-18
Contact Blocks	3-18
Mushroom Operators	3-19
Trigger-Action Emergency Stop	3-19
Illuminated Pushbuttons	3-20
Indicating Lights	3-20
Light Source Units	3-21
Press to Test Light Source Units	3-21
Bulbs	3-22
Incandescent Bulbs	3-22
Bright LED Bulbs	3-2
Super Bright LED Bulbs	3-22
Neon Bulbs	3-22
Selector Switches	3-23
Selector Switch Tutorial	3-24
Legend Plates	3-26
Accessories	3-27
Enclosures	3-27
Assembled Pushbutton Stations	3-27

30.5mm Pushbuttons - T Series and E34

Pushbutton Operators Non-Illuminated	3-29
Contact Blocks	3-30
Mushroom Pushbutton Operators	3-30
Bare Shaft Operator and Operating Heads	3-30
Push-Pull Operators - Complete	3-31
Emergency Stop Stations	3-31
Push-Pull Operators - Illuminated and Non-Illuminated	3-32
Illuminated Pushbuttons	3-33
Pretest Indicating Lights	3-33
Lenses for Illuminated Pushbuttons	3-33
Indicating Lights	3-34
Lenses for Indicating Lights	3-34
Selector Switches - Knob and Lever	3-35
Key Selector Switches	3-36
Joystick Operators	3-37
Legend Plates	3-38
Accessories	3-39
Enclosures	3-40

Wiring and Accessories

Feed-Through Connection Terminals.....	3-94
Through-Type EARTH Terminals.....	3-99
Double Deck Through-Type Terminals	3-101
Duo Through-Type Connection Terminals.....	3-102
Disconnect Terminals.....	3-103
Fuse Terminals.....	3-105
Terminal SB Marking Tag Branches.....	3-107
Terminal AS Marking Tag Branches.....	3-108
Terminal Accessories.....	3-109
Wiring Duct.....	3-110
Solid Wall and Duct Lids.....	3-111
Cable Ties.....	3-112
Cable Tie Saddles	3-112
Spiral Banding.....	3-113
Flexible Bushing.....	3-113
Cable Glands	3-113

Automation and Control

Operator Interfaces



PanelMate® Power Pro Series



PanelMate® ePro PS, ES Series

Eaton PanelMate Power Pro and EPro

operator interfaces offer up to 100-page, 5000 message capacity. All models use Windows-based configuration software with built-in communication interfaces for all popular PLCs and networks, including Cutler-Hammer, Allen-Bradley, Square D, GE Fanuc, Mitsubishi, Modicon, OMRON, PLC-Direct, Schneider, Siemens, Rockwell, Toshiba, as well as DH, DH+, Remote I/O, GENius I/O, DeviceNet, Modbus Plus, and PROFIBUS. Multiple communication interfaces may be run simultaneously on models PM1755T and above.

3

Flat Panel Power Pro Series Touchscreens	Cat. No.	Stock Code	Price \$ ex GST
Panelmate 1100, 7.4" Greyscale LCD, Touchscreen, DC	PM1155T	I	4,571.10
Panelmate 1100, 7.7" Colour DSTN, Touchscreen, DC	PM1175T	I	4,924.26
Panelmate 1700, 7.4" Greyscale LCD, Touchscreen, DC	PM1755T	I	4,937.00
Panelmate 1700, 8.0" Colour DSTN, Touchscreen, DC	PM1775T	S	5,956.20
Panelmate 1700, 8.4" Colour TFT, Touchscreen, DC	PM1785T	I	7,230.27
Panelmate 3000, 10.4" Colour TFT, Touchscreen, DC	PM3985T	I	9,459.82
Panelmate 5000, 13" Colour TFT, Touchscreen, DC	PM5785T	I	14,110.14
Flat Panel EPro Series Touchscreens			
ePro ES, 5.7" Colour STN Display, Touchscreen, OPC, DC NEW	7475T-6	I	4,788.54
ePro PS Classic, 8.4" Colour TFT Display, Touchscreen (Acrylic), OPC, DC NEW	7685T-8C	I	12,006.46
ePro PS Classic, 10" Colour TFT Display, Touchscreen (Acrylic), OPC, DC NEW	7685T-10C	I	12,690.00
ePro PS, 12.1" Colour TFT Display, Touchscreen (Glass), OPC, Painted Steel, DC NEW	7685T-12	I	13,953.87
ePro PS, 15.0" Colour TFT Display, Touchscreen (Glass), OPC, Painted Steel, DC NEW	7685T-15	I	15,773.94
ePro PS Classic, Blind Node (no display), OPC, DC NEW	7600C	I	7,886.97
Flat Panel EPro Series Touchpanel			
ePro PS 8.4" Colour TFT Display, Touchpanel OPC, DC c/w membrane keypad NEW	7585K-8	I	10,260.00
ePro PS 10.4" Colour TFT Display, Touchpanel OPC, DC c/w membrane keypad NEW	7585K-10	I	11,340.00
ePro 12" Colour TFT Display with ELO touchscreen NEW	7585DT-12	I	5,940.00
ePro 15" Colour TFT Display with ELO touchscreen NEW	7585DT-15	I	7,020.00
ePro 17" Colour TFT Display with ELO touchscreen NEW	7585DT-17	I	9,180.00

Software, Accessories	Cat. No.	Stock Code	Price \$ ex GST
PanelMate Power Pro software	PMPROSW	S	540.00
ePro configuration software suite for use with ES & PS ePro, including OPC servers/drivers	CANVASPRO NEW	S	108.00
240Vac to 24VDC Power Supply, 160W	PSS160E	S	540.00

Note: For other PanelMate units, special communication, accessories, etc., contact your nearest Eaton branch

The right tool for every application.

PanelMate® Selection Guide

FAMILY	SERIES	DISPLAY	Touchscreen*	Keypad (TouchPanel®)	Stainless steel front panel options	Outdoor series	Classic - supports PanelMate Power Pro and ePro Canvas applications	Enterprise Edition (extended capabilities)	Ethernet	Power Pro software	ePro Canvas software
ePro PS	7685T-8	8.4" Colour TFT	•							•	•
ePro PS	7685T-10	10.4" Colour TFT	•							•	•
ePro PS	7685T-12 7685T-15	12.1" Colour TFT 15.0" Colour TFT	•							•	•
ePro PS	7600	Display with TS or other input device purchased separately					•	•		•	•
ePro ES	7475T-6	5.7" Colour STN	•							•	•
Power Pro	1155 1175	7.4" Grayscale LCD 7.7" Colour DSTN	•	•						•	
Power Pro	1755 1775 1785	7.4" Grayscale LCD 7.7" Colour DSTN 8.4" Colour TFT	•	•						•	
Power Pro	3985	10.4" Colour TFT	•	•	•					•	
Power Pro	5485	13.0" Colour TFT	•	•						•	
Power Pro	5785	13.0" Colour TFT	•	•						•	
ePro	7585K-8	8.4" Colour TFT		•						•	
ePro	7585K-10	10.4" Colour TFT		•						•	



Eaton ELC Graphic Touch Panels

- High-end features in a low-cost operator interface
- Communication through 2 ports simultaneously: RS232 & RS485/422
- Connection to all major PLCs with drivers
- Process indication by graphs, alarms, etc
- 10 levels of password protection

Graphic Touch Panels

Description	Cat No	Stock	Price \$ ex GST
Touch Panel, 160 x 32 pixels, 10 function keys, monochrome	ELC-GP02	S	564.30
Touch Panel, 128 x 64 pixels, 10 function keys, monochrome	ELC-GP04	S	667.38

Programming Software

Description	Cat No	Stock	Price \$ ex GST
Programming Software for ELC graphic touch panels	ELCSOFTGP	S	121.33

Power Supplies

Description	Cat No	Stock	Price \$ ex GST
Power Supply, 110-240V AC IN, 24V DC OUT, 24 watts, 1 A	ELC-PS01	S	103.19
Power Supply, 110-240V AC IN, 24V DC OUT, 48 watts, 2 A	ELC-PS02	S	127.44

Programming Cable

Description	Cat No	Stock	Price \$ ex GST
Cable PC to ELC (DB9 female to DB9 female)	ELC-CBPCGP3	S	42.55
Cable PC or touch panel to PLC, 3 m (DB9 female to 8-pin DIN)	ELC-CBPCELC3	I	48.54

Program Transfer Module

Description	Cat No	Stock	Price \$ ex GST
Program Transfer Module for ELC graphic touch panels	ELC-GPXFERMOD	S	163.89



Eaton HMI Operator Interfaces

- High-end features in a low-cost operator interface
- Communication thru' 2 ports simultaneously: RS232 & RS485/422
- Connection to all major PLCs with drivers
- Process indication by graphs, alarms, etc
- 10 levels of password protection

Description	Cat No	Stock	Price \$ ex GST
HMI04BU NEW	HMI 4" Blue Mode Touchscreen	I	810.00
HMI04GU NEW	HMI 4" Grey Scale Touchscreen	I	864.00
HMI06BE NEW	HMI 6" Blue Mode with Expansion Slot	I	1,188.00
HMI06GE NEW	HMI 6" Grey Scale Mode with Expansion Slot	I	1,242.00
HMI06CE NEW	HMI 6" Colour Mode with Expansion Slot	I	1,620.00
HMI08CE NEW	HMI 8" Colour Mode with Expansion Slot	S	3,186.00
HMI10CE NEW	HMI 10" Colour Mode with Expansion Slot	S	4,314.60
HMISOFT NEW	HMI Programming Software	S	108.00

Note: Please use a standard USB cable as a programming cable between HMI and PC

Automation and Control

Programmable Logic Controllers



Eaton Logic Controller

- Size – Providing large PLC features/functions in a small 1" package.
- Flexibility – ELC controllers can handle I/O counts from 10 I/O to 256 I/O using the same controller.
- Large PLC Features – ELC has the feature set of larger PLCs, from its multiple communications ports, remote I/O ability, data storage, high speed counter, high speed pulse outputs, interrupts, timer resolution to 1 ms, PID, plus much more.
- Software – ELCSoft, the software, configures the entire line of ELC controllers.
- Power of One – ELC communicates easily to MVX drives, eliminating the need to operate drives by analog voltage/current or digital I/O.

3

Eaton Logic Controllers - Programmable Logic controllers

Description	Cat No	Stock Code	Price \$ ex GST
Control modules			
ELC CPU PB Series 8IN/6 Relay Out	ELC-PB14NNDR	S	400.20
ELC CPU PB Series 8IN/8 Transistor Out	ELC-PB14NNDT	S	547.90
ELC - CPU PC Series 8 IN / 4 Relay Out AC	ELC-PC12NNAR	S	626.53
ELC - CPU PC Series 8 IN / 4 Relay Out DC	ELC-PC12NNDR	S	536.17
ELC - CPU PC Series 8 IN / 4 Transistor Out DC	ELC-PC12NNDT	S	520.29
ELC - CPU PA Series 6 IN / 4 Relay and Analogue Out	ELC-PA10AADT	I	819.15
ELC - CPU PA Series 6 IN / 4 Transistor and Analogue Out	ELC-PA10AADR	I	819.15
ELC - CPU PH Series 8 IN / 4 Transistor Out	ELC-PH12NNDT	I	577.88
Expansion modules			
ELC Expansion 8 IN AC	ELC-EX08NNAN	S	420.34
ELC Expansion Unit 8 IN DC	ELC-EX08NNDN	I	297.87
ELC Expansion 8 RELAY Out	ELC-EX08NNNR	S	432.22
ELC Expansion 8 NPN Out	ELC-EX08NNNT	S	454.14
ELC Expansion Unit In / Out Combo	ELC-EX08NNDR	I	189.00
ELC Expansion Unit In / Out Combo	ELC-EX08NNDT	I	189.00
ELC-Expansion Unit High Current Relay Out	ELC-EX06NNNI	I	476.60
ELC ANALOG 4 O/P CUTTENT	ELC-AN04NANN	S	986.00
ELC 4 THERMOCOUPLE INPUT Unit	ELC-TC04ANNN	I	1,260.20
ELC Expansion 8IN/8 RELAY Out	ELC-EX16NNDR	S	399.10
ELC Expansion 16 NPN Out	ELC-EX16NNDT	S	480.70
Accessories			
ELC Power Supply, 24W - 1 Amp	ELC-PS01	S	175.30
ELC Power Supply, 48W - 2 Amp	ELC-PS02	S	330.00
ELC PLC Programming Software	ELCSOFT	S	75.00
ELC Cable PC or touchpanel to PLC 3M DB9 to 8PIN	ELC-CBPCELC3	S	75.00
ELC Cable PC to ELC DB9 Female to DB9 Female	ELC-CBPCEGP3	S	75.00
ELC Hand Hand Programmer (inc. ELC-CBHHELC15)	ELC-HHP	S	437.40
ELC RS485 easy connect adapter, DB9, RJ-12, 2 pin connection to RS485	ELC-485APTR	S	59.40
Training kit			
ELC Start Kit (inc. ELC-PA10AADT, ELCPS01, ELC-GP04, ELC-CBPCELC3, ELC-CBPCEGP3, ELCSOFT GP)	ELCSTARTKIT1	S	1,350.00

Automation and Control

Programmable Logic Controllers



Eaton EZ Intelligent Relay/Mini PLC

- Simple and user-friendly operation
- Built-in relays, timers, counters & timeswitches
- Multi-level password protection
- Stand-alone or networked operation
- Available in 24VAC, 110-240VAC, 12VDC & 24VDC
- Digital & Analog outputs up to 300 I/O
- EZSoft common programming software

DI: Digital Inputs
AI: Analog Inputs (incl in DI)
RO: Relay Outputs
TO: Transistor Outputs
AO: Analog Outputs (incl in TO)

EZ500, EZ700, EZ800 Controllers

Description	Cat No	Stock Code	Price \$ ex GST
EZ500, 24VAC, 8 DI, 2 AI, 4 RO, clock, display	EZ512-AB-RC	S	503.60
EZ500, 24VAC, 8 DI, 2 AI, 4 RO, clock, no display	EZ512-AB-RCX	I	388.26
EZ500, 110-240VAC, 8 DI, 4 RO, no clock, display	EZ512-AC-R	I	466.61
EZ500, 110-240VAC, 8 DI, 4 RO, clock, display	EZ512-AC-RC	S	503.60
EZ500, 110-240VAC, 8 DI, 4 RO, clock, no display	EZ512-AC-RCX	I	388.26
EZ500, 12VDC, 8 DI, 2 AI, 4 RO, clock, display	EZ512-DA-RC	I	503.60
EZ500, 12VDC, 8 DI, 2 AI, 4 RO, clock, no display	EZ512-DA-RCX	I	388.26
EZ500, 24VDC, 8 DI, 2 AI, 4 RO, no clock, display	EZ512-DC-R	I	466.61
EZ500, 24VDC, 8 DI, 2 AI, 4 RO, clock, display	EZ512-DC-RC	S	503.60
EZ500, 24VDC, 8 DI, 2 AI, 4 RO, clock, no display	EZ512-DC-RCX	I	388.26
EZ500, 24VDC, 8 DI, 2 AI, 4 TO, clock, display	EZ512-DC-TC	S	540.00
EZ500, 24VDC, 8 DI, 2 AI, 4 TO, clock, no display	EZ512-DC-TCX	I	388.26
EZ700, 24VAC, 12 DI, 4 AI, 6 RO, clock, display	EZ719-AB-RC	S	715.87
EZ700, 24VAC, 12 DI, 4 AI, 6 RO, clock, no display	EZ719-AB-RCX	I	612.79
EZ700, 110-240VAC, 12 DI, 6 RO, clock, display	EZ719-AC-RC	S	715.87
EZ700, 110-240VAC, 12 DI, 6 RO, clock, no display	EZ719-AC-RCX	I	612.79
EZ700, 12VDC, 12 DI, 4 AI, 6 RO, clock, display	EZ719-DA-RC	I	715.87
EZ700, 12VDC, 12 DI, 4 AI, 6 RO, clock, no display	EZ719-DA-RCX	I	612.79
EZ700, 24VDC, 12 DI, 4 AI, 6 RO, clock, display	EZ719-DC-RC	S	715.87
EZ700, 24VDC, 12 DI, 4 AI, 6 RO, clock, no display	EZ719-DC-RCX	I	612.79
EZ700, 24VDC, 12 DI, 4 AI, 8 TO, clock, display	EZ721-DC-TC	S	715.87
EZ700, 24VDC, 12 DI, 4 AI, 8 TO, clock, no display	EZ721-DC-TCX	I	612.79
EZ800, 110-240VAC, 12 DI, 6 RO, clock, display	EZ819-AC-RC	S	1,098.14
EZ800, 110-240VAC, 12 DI, 6 RO, clock, no display	EZ819-AC-RCX	I	1055.64
EZ800, 24VDC, 12 DI, 4 AI, 6 RO, clock, display	EZ819-DC-RC	S	1,098.14
EZ800, 24VDC, 12 DI, 4 AI, 6 RO, clock, no display	EZ819-DC-RCX	I	969.94
EZ800, 24VDC, 12 DI, 4 AI, 6 RO, 1 AO, clock, display	EZ820-DC-RC	I	1,098.14
EZ800, 24VDC, 12 DI, 4 AI, 6 RO, 1 AO, clock, no display	EZ820-DC-RCX	I	1013.25
EZ800, 24VDC, 12 DI, 4 AI, 8 TO, clock, display	EZ821-DC-TC	S	1,098.14
EZ800, 24VDC, 12 DI, 4 AI, 8 TO, clock, no display	EZ821-DC-TCX	I	1031.40
EZ800, 24VDC, 12 DI, 4 AI, 8 TO, 1 AO, clock, display	EZ822-DC-TC	I	1170.99
EZ800, 24VDC, 12 DI, 4 AI, 8 TO, 1 AO, clock, no display	EZ822-DC-TCX	I	1067.79



Eaton EZ Intelligent Relay accessories

- EZD multi-function display provides HMI control
- Simple & inexpensive networking also possible
- Connection to world standard fieldbus systems
- Wide variety of I/O expansion modules available
- EZSoft the user-friendly circuit diagram editor

DI: Digital Inputs
 AI: Analog Inputs (incl in DI)
 RO: Relay Outputs
 TO: Transistor Outputs
 AO: Analog Outputs (incl in TO)

3

EZD Displays and EZD Controllers

Description	Cat No	Stock Code	Price \$ ex GST
EZD Display, no buttons	EZD-80	I	364.01
EZD Display, with buttons	EZD-80-B	S	394.42
EZD CPU, 24V DC power supply, clock	EZD-CP8-ME	S	879.77
EZD CPU, 24V DC power supply, clock, EZ-Net	EZD-CP8-NT	I	1,086.05
EZD CPU, 110-240V AC power supply, clock	EZD-AC-CP8-ME	S	904.01
EZD CPU, 110-240V AC power supply, clock, EZ-Net	EZD-AC-CP8-NT	I	1,086.05

EZD controller I/O Modules

Description	Cat No	Stock Code	Price \$ ex GST
EZD I/O module, 110-240V AC, 12 DI, 4 RO	EZD-AC-R16	I	376.16
EZD I/O module, 24V DC, 12 DI, 4 AI, 4 RO	EZD-R16	I	348.30
EZD I/O module, 24V DC, 12 DI, 4 AI, 4 RO, 1 AO	EZD-RA17	I	479.36
EZD I/O module, 24V DC, 12 DI, 4 AI, 4 TO	EZD-T16	I	348.30
EZD I/O module, 24V DC, 12 DI, 4 AI, 4 TO, 1 AO	EZD-TA17	I	479.36

EZ/EZD I/O Expansion Modules

Description	Cat No	Stock Code	Price \$ ex GST
EZ I/O Expansion, 2 RO	EZ202-RE	S	176.04
EZ I/O Expansion, 110-240V AC, 12 DI, 6 RO	EZ618-AC-RE	S	479.36
EZ I/O Expansion, 24V DC, 12 DI, 6 RO	EZ618-DC-RE	S	479.36
EZ I/O Expansion, 24V DC, 12 DI, 8 TO	EZ620-DC-TE	S	479.36
Coupling module for remote mounting of expansion modules	EZ200-EZ	S	133.48

EZ/EZD-CP8 Power Supplies

Description	Cat No	Stock Code	Price \$ ex GST
EZ/EZD Power Supply, 110-240VAC IN, 12V DC OUT	EZ200-POW	I	151.74
EZ/EZD Power Supply, 110-240VAC IN, 24V DC OUT	EZ400-POW	S	236.68

EZD Display to EZ Communication Modules (EZD-CP4)

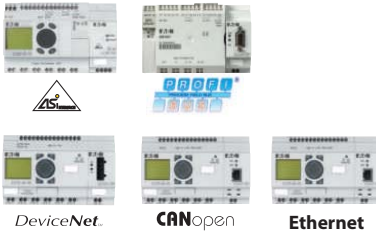
Description	Cat No	Stock Code	Price \$ ex GST
EZD Display to EZ500/700 comms module & comms cable	EZD-CP4-500	S	333.72
EZD Display to EZ800 comms module & comms cable	EZD-CP4-800	S	333.72

EZ/EZD Memory Storage Modules

Description	Cat No	Stock Code	Price \$ ex GST
EZ500/700 Memory Storage Module, 32k	EZ-M-32K	I	72.79
EZ800/EZD Memory Storage Module, 256k	EZ-M-256K	I	115.34

Automation and Control

Programmable Logic Controllers



Eaton EZ Intelligent Relay accessories (contd)

- Range of spares & accessories available
- Programming & Communication cables
- Network Connectors & Resistors
- Spare panel windows, membrane covers
- Simulator for EZ500 Intelligent Relay

EZ/EZD Communication Interface Modules

Description	Cat No	Stock Code	Price \$ ex GST
AS-Interface Slave with 4 IN & 4 OUT Interface Module	EZ205-ASI	I	303.37
CANopen Interface Module	EZ221-CO	I	788.72
DeviceNet Slave Interface Module	EZ222-DN	I	788.72
Profibus-DP Slave Interface Module	EZ204-DP	I	788.72
Ethernet/ IP Gateway Interface Module NEW	EZ209-SE	I	810.00

EZ/EZD Software

Description	Cat No	Stock Code	Price \$ ex GST
Programming software for EZ500/700/800 and EZD	EZSOFT	S	60.69

EZ/EZD Programming Cables

Description	Cat No	Stock Code	Price \$ ex GST
EZ500/700 to PC programming cable	EZ-PC-CAB	S	176.04
EZ800/EZD to PC programming cable	EZ800-PC-CAB	S	230.58

EZ/EZD Communication Cables & Connectors

Description	Cat No	Stock Code	Price \$ ex GST
EZ500/700 to EZD-CP4 communication cable, 5 m	EZD-CP4-500-CAB5	S	151.74
EZ800 to EZD-CP8 communication cable, 2 m	EZD-800-CAB	I	181.98
EZ800 to EZD-CP8 communication cable, 5 m	EZD-800-CAB5	S	303.37
EZ800 to EZD-CP4 communication cable, 5 m	EZD-CP4-800-CAB5	S	151.74
EZ800/EZD EZ-Net cable, 0.3 m	EZ-NT-30	I	30.40
EZ800/EZD EZ-Net cable, 0.8 m	EZ-NT-80	I	48.54
EZ800/EZD EZ-Net cable, 1.5 m	EZ-NT-150	S	60.69
EZ800/EZD Network Termination Resistor, 2 per pack	EZ-NTR	S	72.79
EZ800/EZD EZ-Net cable (no connectors), 100m, 4-wire	EZ-NT-CAB	I	176.04
RJ45 network connector for EZ-Net cable, 10 per pack	EZ-NT-RJ45	I	12.15

EZ/EZD Miscellaneous Parts

Description	Cat No	Stock Code	Price \$ ex GST
EZ500 Intelligent Relay Simulator	EZ412-DC-SIM-NA	S	479.36
EZ500 Panel Window	EZSKF-FF4	I	66.80
EZ700/800 Panel Window	EZSKF-FF6	I	66.80
EZ500/700/800 Panel Window Mounting Kit (front mt units)	EZSKF-HA	I	24.30
EZ/EZD Panel Mount Brackets, 9 per pack	EZB4-101-GF1	I	42.55
EZ/EZD Earthing Kit	EZB4-102-KS1	I	48.60
EZD Display DIN Rail Mounting Kit	EZD-TS144	I	30.40
EZD Display Protective Membrane Cover	EZD-XM-80	I	91.10
EZD Display Protective Plastic Cover	EZD-XS-80	I	91.10
EZ/EZD Spare Interface Connector, base to expander	EZ-LINK-DS	I	18.25

3

Automation and Control




Limit Switches



Powering Business Worldwide

Eaton E50 Limit Switches are available with or without indicating LED, in single- or 2-pole versions. Optional manifold mount and submersible versions available.

All prices ex GST

		Single Pole (5 Terminal Receptacle) 		Double Pole (9 Terminal Receptacle) 		
	Indicating Light:	None	LED (24 – 120V AC/DC)	None	LED (24 – 120V AC/DC)	LED (24 – 120V AC/DC)
	Switch Body:	E50SA 1N.O.-1N.C. \$305.55	E50SAL 1N.O.-1N.C. \$148.50	E50SB 2N.O.-2N.C. \$148.50	E50SBL 2N.O.-2N.C. \$180.00	E50SCL 1N.O.-2N.C. \$180.00
	Receptacle:	E50RA \$52.30	E50RA \$52.30	E50RB \$85.30	E50RB \$85.30	E50RB \$85.30

Operating Head Type		Catalog Number for Assembled Switches				
	Standard Spring Return E50DR1 \$130.10	E50AR1 \$305.55	E50ALR1 \$356.40	E50BR1 \$391.85	E50BLR1 \$428.40	—
	Low Force Spring Return E50DL1 \$130.10	E50AL1 \$305.55	E50ALL1 \$356.40	E50BL1 \$391.85	E50BLL1 \$428.40	—
	Maintained Two-Position E50DM1 \$173.25	E50AM1 \$353.00	E50ALM1 \$402.45	E50BM1 \$434.30	E50BLM1 \$POA	—
Side Pushbutton, Spring Return — E50DS1 \$159.00		E50AS1 \$335.35	E50ALS1 \$POA	E50BS1 \$478.50	E50BSL1 \$POA	E50CLS1 \$POA
Side Pushbutton, Adjustable Spring Return — E50DS2 \$173.25		E50AS2 \$353.00	E50ALS2 \$POA	E50BS2 \$434.30	E50BSL2 \$454.25	E50CLS2 \$POA
Side Push Roller, Spring Return — E50DS3 \$191.40		E50AS3 \$370.75	E50ALS3 \$POA	E50BS3 \$455.30	E50BSL3 \$POA	E50CLS3 \$POA
Side Pushbutton, Maintained — E50DH1 \$201.20		E50AH1 \$381.45	E50ALH1 \$POA	E50BH1 \$466.00	E50BLH1 \$POA	E50CLH1 \$POA
Top Pushbutton, Spring Return — E50DT1 \$148.60		E50AT1 \$324.90	E50ALT1 \$POA	E50BT1 \$407.90	E50BLT1 \$POA	E50CLT1 \$POA
Top Pushbutton, Adjustable Spring Return — E50DT2 \$159.00		E50AT2 \$353.40	E50ALT2 \$POA	E50BT2 \$420.10	E50BLT2 \$POA	—
Top Push Roller, Spring Return — E50DT3 \$173.23		E50AT3 \$353.00	E50ALT3 \$POA	E50BT3 \$434.30	E50BLT3 \$POA	—
	Standard Duty — E50DW1 \$148.50	E50AW1 \$326.55	E50ALW1 \$POA	E50BW1 \$409.60	E50BLW1 \$POA	E50CLW1 \$POA
	Heavy-Duty High Strength Steel — E50DW2	E50AW2 \$354.90	E50ALW2 \$POA	E50BW2 \$POA	E50BLW2 \$POA	E50CLW2 \$POA

For assembled Limit Switch pricing, contact your nearest Eaton branch.

Automation and Control

Limit Switches

Finalise Your Limit Switch Installation with Right Operator for the Job

Operating Levers - various operators are available, which suit standard E50 and special purpose E50 Limit switches.



Operator	Length (mm)	Type	Roller mm.	Face mm.	LED Cat. No.	Stock Code	Price \$ ex GST
Stainless steel, adjustable	12.7-95.3	nylon	19.1	7.9	E50KL201	S	54.43
	12.7-95.3	nylon	19.1	12.7	E50KL599	S	52.76
	12.7-95.3	nylon	19.1	25.4	E50KL537	S	66.80
	28.5-95.3	nylon	38.1	7.1	E50KL443	S	66.80
	12.7-82.6	nylon	102	2.8	E50KL598	I	91.04
	12.7-95.3	metal	19.1	7.9	E50KL538	S	52.76
	12.7-95.3	ball bearing	17.5	6.4	E50KL539	S	84.94
Cast aluminium standard lever	76.2-127	no roller	-	-	E50KL31	S	52.78
	22.2mm	metal	19.1	7.9	E50KL39	S	40.82
	34.9mm	metal	19.1	7.9	E50KL40	S	139.86
	38.1mm	nylon	19.1	7.9	E50KL200	I	32.94
	38.1mm	nylon	19.1	25.4	E50KL377	S	52.97
	38.1mm	metal	19.1	7.9	E50KL355	S	32.94
	38.1mm	ball bearing	17.5	6.4	E50KL531	I	66.80
	50.8mm	no roller	-	-	E50KL32	I	26.84
	50.8mm	nylon	19.1	7.9	E50KL546	S	42.66
	50.8mm	nylon	19.1	25.4	E50KL572	I	99.25
	50.8mm	metal	19.1	7.9	E50KL549	S	48.55
	63.5mm	ball bearing	17.5	6.4	E50KL552	I	91.04
	63.5mm	nylon	19.1	7.9	E50KL547	S	52.97
	63.5mm	nylon	19.1	25.4	E50KL573	I	79.16
	63.5mm	nylon	38.1	7.1	E50KL575	I	44.71
	63.5mm	metal	19.1	7.9	E50KL550	S	66.47
	63.5mm	ball bearing	17.5	6.4	E50KL553	S	91.04
	76.2mm	nylon	19.1	7.9	E50KL548	S	52.97
	76.2mm	nylon	19.1	25.4	E50KL574	I	83.16
	76.2mm	nylon	38.1	7.1	E50KL576	I	52.97
76.2mm	metal	19.1	7.9	E50KL551	S	32.94	
76.2mm	ball bearing	17.5	6.4	E50KL554	I	91.04	
Fork lever, both rollers one side	38.1mm	nylon	19.1	7.9	E50KL204	S	91.04
	38.1mm	nylon	19.1	25.4	E50KL543	I	202.07
	38.1mm	metal	19.1	7.9	E50KL544	S	91.04
	38.1mm	ball bearing	17.5	6.4	E50KL545	I	187.10
Fork lever, 1 roller out/1 inside	38.1mm	nylon	19.1	7.9	E50KL203	S	44.95
	38.1mm	nylon	19.1	25.4	E50KL540	I	220.21
	38.1mm	metal	19.1	7.9	E50KL541	I	202.07
	38.1mm	ball bearing	17.5	6.4	E50KL542	I	202.07
Delrin rod for wobble head switch (82.6mm long), rod diameter 6.4mm					E50KW2	S	44.66
Stainless steel rod for wobble head (305mm long), rod diameter 1.6mm					E50KW3	S	32.45
Coil spring for wobble head switch (102mm long), spring diameter 8.7mm					E50KW4	S	44.66
Nylon roller, adjustable					E50KL37	S	88.94
Nylon roller, adjustable DIP					E50KL37D1P	S	198.34
Stainless steel rod, adjustable					E50KL220	S	52.76

Automation and Control

Limit Switches



Powering Business Worldwide



Eaton E49 Compact Metal Limit Switches

- Rigid die cast switch housing
- High mechanical strength
- Oil-tight, waterproof and dustproof construction

3

Operating Head Type	Specifications					Cat Number	
	Travel to Operate Contacts	Travel to Reset Contacts	Total Travel	Force to Operate Contacts (Maximum)	Minimum Return Force	Assembled Unit (Switch Body and Head)	
						1N.O.-1N.C. Contacts	
Roller Lever 	20°	12°	50°	2.99 lb	0.50 lb	E49M11AP1	
						Stock Code	Price Ex GST
						S	\$135.00
Top Push 	0.067 in (1.7 mm)	0.04 in (1.0 mm)	—	6.02 lb	2.01 lb	E49M11BP1	
						Stock Code	Price Ex GST
						S	\$135.00
Top Push Roller 	0.067 in (1.7 mm)	0.04 in (1.0 mm)	0.25 in (6.5 mm)	6.02 lb	2.01 lb	E49M11CP1 (As pictured)	
						Stock Code	Price Ex GST
						I	\$135.00
Rod Lever 	20°	12°	50°	0.31 lb	0.06 lb	E49M11DP1	
						Stock Code	Price Ex GST
						S	\$135.00
Adjustable Roller Lever 	20°	12°	50°	2.99 lb	0.50 lb	E49M11UP1	
						Stock Code	Price Ex GST
						S	\$135.00
Wobble 	1.10 in (28 mm)	N/A	N/A	0.33 lb	N/A	E49M11VP1	
						Stock Code	Price Ex GST
						S	\$135.00
Cat Whisker 	1.10 in (28 mm)	N/A	N/A	0.064 lb	N/A	E49M11XM1	
						Stock Code	Price Ex GST
						I	\$135.00







Automation and Control

Limit Switches



Eaton E49 Compact Mini Metal Limit Switches





- Long life - rated for 10 million operations
- Pre-wired units with custom cable lengths available for high volume customers
- Fingerproof terminals protect against accidental shock
- Double-spring mechanism for contact reliability
- Grounding terminal included
- Captive screws on enclosure cover make wiring hassle-free
- SPDT double break

Operating Head Type	Specifications					Cat Number				
	Travel to Operate Contacts	Travel to Reset Contacts	Total Travel	Force to Operate Contacts	Minimum Return Force	Assembled Units (Switch Body and Head) 1N.O./1N.C. Contacts				
 Side Rotary Lever	20°	12°	70°	750 g	100 g	E49G31AP3				
						<table border="1"> <tr> <th>Stock Code</th> <th>Price Ex GST</th> </tr> <tr> <td>S</td> <td>\$95.00</td> </tr> </table>	Stock Code	Price Ex GST	S	\$95.00
Stock Code	Price Ex GST									
S	\$95.00									
 Adjustable Side Rotary Lever	20°	12°	70°	750 g	100 g	E49G31UP3				
						<table border="1"> <tr> <td>S</td> <td>\$95.00</td> </tr> </table>	S	\$95.00		
S	\$95.00									
 Top Pushbutton	0.06 in (1.5 mm)	0.04 in (1 mm)	0.22 in (5.5 mm)	900 g	150 g	E49G31BP3				
						<table border="1"> <tr> <td>S</td> <td>\$95.00</td> </tr> </table>	S	\$95.00		
S	\$95.00									
 Top Push Roller	0.06 in (1.5 mm)	0.04 in (1 mm)	0.22 in (5.5 mm)	900 g	150 g	E49G31CP3				
						<table border="1"> <tr> <td>S</td> <td>\$95.00</td> </tr> </table>	S	\$95.00		
S	\$95.00									
 Top Push Roller (90 Degree Roller)	0.06 in (1.5 mm)	0.04 in (1 mm)	0.22 in (5.5 mm)	900 g	150 g	E49G31C1P3				
						<table border="1"> <tr> <td>S</td> <td>\$95.00</td> </tr> </table>	S	\$95.00		
S	\$95.00									
 Adjustable Rod Lever	20°	12°	70°	750 g	100 g	E49G31DP3				
						<table border="1"> <tr> <td>S</td> <td>\$95.00</td> </tr> </table>	S	\$95.00		
S	\$95.00									

Automation and Control

Limit Switches

3

Operating Head Type	Specifications					Cat Number
	Travel to Operate Contacts	Travel to Reset Contacts	Total Travel	Force to Operate Contacts	Minimum Return Force	Assembled Units (Switch Body and Head) 1N.0./1N.C. Contacts
Wobble Stick (Nylon Coil) 	1.18 in (30 mm)			150 g	—	E49G31NP3
						<table border="1"> <tr> <th>Stock Code</th> <th>Price Ex GST</th> </tr> <tr> <td>S</td> <td>\$95.00</td> </tr> </table>
Stock Code	Price Ex GST					
S	\$95.00					
Wobble Stick (Metal Coil) 	1.18 in (30 mm)			150 g	—	E49G31VP3
						<table border="1"> <tr> <td>I</td> <td>\$95.00</td> </tr> </table>
I	\$95.00					
Wobble Stick (Metal Rod) 	1.18 in (30 mm)			150 g	—	E49G31MP3
						<table border="1"> <tr> <td>I</td> <td>\$95.00</td> </tr> </table>
I	\$95.00					
Wobble Stick (Whisker) 	1.18 in (30 mm)			150 g	—	E49G31XM3
						<table border="1"> <tr> <td>I</td> <td>\$95.00</td> </tr> </table>
I	\$95.00					

Automation and Control





Limit Switches



Eaton E49 Miniature DIN Limit Switches

- Nonmetallic housing is ideal for corrosive environments
- Fingerproof terminals and double insulated enclosures protect against accidental shock
- Generous wiring space speeds installation
- Electrically isolated contacts eliminate polarity restrictions for electrical loads
- Positive opening N.C. contacts improve reliability by positively breaking the N.C. contacts during operation, eliminating light welding/sticking conditions

3

Operating Head Type	Specifications						Cat Number			
	Travel to Operate Contacts	Travel to Operate Pos. Break N.C. Contacts	Travel to Reset Contacts	Total Travel	Force to Operate Contacts (Maximum)	Minimum Return Force	Operating Head Only	Assembled Unit (Switch Body and Head)		
								1N.O. -1N.C. Contacts	2N.O. Contacts	2N.C. Contacts
Side Rotary 	35°	55°	15°	76°	1.16 in-lb	0.76 in-lb	E49AP7	E49S71AP7*	E49S74AP7	E49S73AP7
							POA	\$50.00	POA	POA
Top Push Plunger 	0.12 in (3.0 mm)	0.19 in (4.8 mm)	0.05 in (1.3 mm)	0.23 in (5.8 mm)	1.79 lb	1.14 lb	—	E49S71*	E49S74	E49S73
							POA	\$50.00	POA	POA
Top Push Roller 	0.11 in (2.8 mm)	0.19 in (4.8 mm)	0.04 in (1.0 mm)	0.23 in (5.8 mm)	1.81 lb	0.95 lb	E49CP7	E49S71CP7*	E49S74CP7	E49S73CP7
							POA	\$50.00	POA	POA
Rod Lever 	35°	55°	16°	76°	0.80 in-lb	0.49 in-lb	E49DP7	E49S71DP7*	E49S74DP7	E49S73DP7
							POA	\$50.00	POA	POA
Offset Roller Lever 	0.14 in (3.6 mm)	0.12 in (3.0 mm)	0.06 in (1.5 mm)	0.30 in (7.6 mm)	1.7 lb	0.78 lb	E49EP7	E49S71EP7*	E49S74EP7	E49S73EP7
							POA	\$50.00	POA	POA
Adjustable Roller Lever 	35°	55°	16°	75°	0.88 in-lb	0.58 in-lb	E49UP7	E49S71UP7*	E49S74UP7	E49S73UP7
							POA	\$50.00	POA	POA

* Stocked Item

iProx Clone... Adaptability Unmatched



The iProx is a field programmable, adaptable and configurable inductive proximity sensor with an embedded microprocessor, which allows for unique sensing capabilities that solve the unsolvable.

The iProx Clone adapts to your environment. Set the sensing distance, operating modes, teach it to ignore background metals, sense in a narrow band, and more. The iProx can be pre-configured at the factory to help you save even more time.

Yes. The iProx can do that. In a nutshell, the iProx is the most versatile inductive

proximity sensor available today. Using the iProx Programming Software, you can literally replace thousands of sensors with just a few clicks of the mouse. When you need unmatched flexibility, adaptability and sensing performance, look no further than the iProx family of sensor products.

EATON
Powering Business Worldwide

For further information:
1300 332 866
www.eatonelectric.com.au

Automation and Control

Limit Switches and Foot Switches



Eaton 10316H Rotating Shaft Limit Switches - are a geared design for use in control circuits with AC or DC motors on garage doors, windows, small hoists, etc. Comes in general purpose and heavy duty versions.

	General Purpose	Heavy Duty
Construction	die cast zinc	cast iron
Contacts	2	4
Protection	IP54	IP66

Description	Contacts	Cat. No.	Stock Code	Price \$ ex GST
General purpose limit switch	1N.O.-1N.C.	10316H77	S	768.42
General purpose limit switch	2N.C.	10316H50	S	768.42
Heavy duty limit switch	2N.O - 2N.C.	10316H54	S	1363.07
Flexible coupling for these switches	-	93321H010	S	251.75

Notes

On general purpose switch, one contact can be independently adjusted to trip in the clockwise direction and the other contact can be independently adjusted to trip in the counter-clockwise direction.

On the heavy duty switch, two contacts can be independently adjusted to trip in the clockwise direction and the other two contacts can be independently adjusted to trip in the counter-clockwise direction.

Heavy duty switch is convertible to 4N.O. or 4N.C contacts



Eaton ME40 Heavy Duty Foot Switches - in single and double pedal, guarded or unguarded. Guarded shown left. All switches are IP65 rated and have anti-slip base plates which can be screwed into position. Triple pedal version also available on special order.

Foot Switch Type		Contacts	Cat. No.	Stock Code	Price \$ ex GST
1-pedal unguarded	spring return	1N.O.-1N.C.	ME40BW03A	S	259.25
	spring return	2N.O.-2N.C.	ME40BW13A	S	388.96
	2-stg operation	2N.O.-2N.C.	ME40BW13D	S	410.08
	maintained	1N.O.-1N.C.	ME40BW03A1	S	387.29
2-pedal unguarded	spring return	2N.O - 2N.C.	ME40BW13B	S	715.12
	2-stg operation	2N.O.-2N.C.	ME40BW13E	I	756.27
1-pedal guarded	spring return	1N.O.-1N.C.	ME40BW03A2	S	345.28
	spring return with emergency stop	1N.O.-1N.C.	ME40BW03A21	I	584.01
	spring return	2N.O.-2N.C.	ME40BW13A2	S	470.99
	2-stg operation	2N.O.-2N.C.	ME40BW13D2	S	511.00
2-pedal guarded	maintained	1N.O.-1N.C.	ME40BW03A3	I	473.04
	spring return	2N.O.-2N.C.	ME40BW13B2	S	796.82
	2-stg operation	2N.O.-2N.C.	ME40BW13E2	I	838.73
contact block to suit ME40BW03A1		1N.O.-1N.C.	600.6101.060	I	192.78
contact block to suit ME40BW03A		1N.O.-1N.C.	600.6351.039	I	127.22
contact block to suit ME40BW13A		2N.O.-2N.C.	600.6451.117	I	169.78
contact block to suit ME40BW13D		2N.O.-2N.C.	600.6451.130	I	238.63

3

Automation and Control

Pull Wire Switches



Powering Business Worldwide



Eaton 2020 Trip/Pull Wire Switches

are available in either cast iron, aluminium, or DIP certified magnesium-free aluminium. All feature failsafe design and IP65 protection.

3

Construction	Contacts	Cat. No.	Stock Code	Price \$ ex GST
Aluminium	1 NO - 1NC	E2020-A2P	S	937.06
Cast iron	1 NO - 1 NC	E2020-C2P	S	937.06
Aluminium	1 NO - 1 NC mercury tube	E2020-A2M	I	966.84
Cast iron	1 NO - 1 NC mercury tube	E2020-C2M	I	966.84

Optional Extras (to order, add suffix to end of Cat. No. of switch above)

Description	Suffix
Aluminium 2N.O.-2N.C. contact block	A4P
Aluminium 3N.O.-3N.C. contact block	A6P
Aluminium 4N.O.-4N.C. contact block	A8P
Aluminium 2N.O.-2N.C. mercury contact block	A4M
Cast iron 2N.O.-2N.C. contact block	C4P
Cast iron 3N.O.-3N.C. contact block	C6P
Cast iron 4N.O.-4N.C. contact block	C8P
Cast iron 2N.O.-2N.C. mercury contact block	C4M
Top dome light (no globe)	DL
Blinking feature for dome light	B
Wire guard for dome light	PG
Transparent safety window	W
Flag indicator in front cover	F
Single-ended operation, left	SLH
Single-ended operation, right	SRH
Extra 12-way terminal block	TB
Plastic covered galvanised wire rope, 100m	A1
Galvanised U bolts, 3/4"	A2
Galvanised turnbuckle, 5/16"	A3
Galvanised wire clamp	A4
Galvanised wire rope thimble	A5
End-of-line spring	G1511-2

Contact block

AC2, 5A; 250V 3A; 415V 10A thermal is standard. (Units with higher ratings supplied on special order)

Failsafe Trip

maintains switch in tripped position until pull wires are connected and adjusted.

Flameproof option available

Cutler Hammer E22

**Stylish
Modular
Rugged
Reliable**



- Heavy-duty oil tight construction
- Reliability nibs on contact blocks
- Chrome metal or black nylon bezels
- Plain or notched hole mounting
- Snap-lock contact block mounting
- Direct opening action normally closed contacts
- Finger proof terminals

The E22 Pushbutton range features a wide array of functional, smartly-styled illuminated pushbuttons, selector switches, push-pull, alternate action and twist-to-release operators. This range also includes transformer, full voltage, resistor, LED and neon light units.

Operators are available with either matte black or chrome metal bezels. All operators are IP65 rated, conform with IEC 947-5-1 and are designed for 22.5mm hole mounting. Every operator comes with a

standard contact block adaptor. Select the operator and desired contact blocks and/or light unit. Contact blocks and light units simply snap onto the back of the adaptor. No tools are required for component assembly.

**For further information:
1300 332 866
www.eatonelectric.com.au**

EATON

Powering Business Worldwide

All Prices Exclude GST

Automation and Control

22.5mm Pushbuttons & Contact Blocks

3



The E22 Pushbutton range features a wide array of functional, smartly-styled illuminated pushbuttons, selector switches, push-pull, alternate action and twist-to-release operators. This range also includes transformer, full voltage, resistor, LED and neon light units.

Operators are available with either matte black or chrome metal bezels. All operators are IP65 rated, conform with IEC 947-5-1 and are designed for 22.5mm hole mounting.

Every operator comes with a standard contact block adaptor. Select the operator and desired contact blocks and/or light unit. Contact blocks and light units simply snap onto the back of the adaptor. No tools are required for component assembly.



PUSHBUTTON OPERATORS Non - Illuminating

Pushbutton Operator

Contact Block

Flush



Button Colour	Chrome Bezel	Stock Code	Price ex. GST	Black Bezel	Stock Code	Price ex. GST
Black	E22P1	S	17.46	E22PB1	S	15.42
Red	E22P2	S	17.46	E22PB2	S	15.42
Green	E22P3	S	17.46	E22PB3	S	15.42
Yellow	E22P4	S	17.46	E22PB4	S	15.42
Blue	E22P6	S	17.46	E22PB6	S	15.42

Extended



Black	E22E1	S	17.92	E22EB1	S	15.77
Red	E22E2	S	17.92	E22EB2	S	15.77
Green	E22E3	S	17.92	E22EB3	S	15.77
Yellow	E22E4	I	17.92	E22EB4	S	15.77
Blue	E22E6	I	17.92	E22EB6	S	15.77



Button Colour	Printed Symbol	Part No	Stock Code	Price ex. GST
Black	Arrow	E22PB1N6	S	19.40
Green	On Symbol (I)	E22PB3N65	S	24.27
Red	Off Symbol (O)	E22PB2N64	S	24.27

Mounting adaptor for 3 contact blocks included. Use operator plug E22BA2 to operate centre contact block

CONTACT BLOCKS



Description	Part Number	Stock Code	Price \$ ex. GST
1NC	E22B1	S	20.18
1NO	E22B2	S	20.18
1NO/1NC	E22B11	S	34.14
2NO	E22B20	S	34.14
1NC Self-monitoring circuit	E22CB1M	S	21.28

Automation and Control

22.5mm Emergency Stop Pushbuttons




Mushroom Operator



Contact Block

MUSHROOM PUSHBUTTON OPERATORS

Mushroom Pushbutton Operators - Momentary

	Head	Button Colour	Chrome Bezel	Stock Code	Price \$ ex. GST	Black Bezel	Stock Code	Price \$ ex. GST
	40mm	Red	E22L2	S	31.98	E22LB2	S	27.79
	40mm	Green	E22L3	S	33.00	E22LB3	I	27.79
	50mm	Red (Aluminium)	E22J2	I	49.53	-	-	-
		Red (Emergency Stop)	-	-	-	E22JB2N8	I	51.71

Trigger Action E-Stop



Description	Contact Block	Cat No.	Stock Code	Price \$ ex. GST
40 mm red twist - to - release	0	E22LTA2	S	58.83
with RED arrow legend	NO	E22LTA2QB	S	79.50
Yellow Guard for Trigger Action E-Stop		E22MGTA	S	36.41

Note: When used with self monitoring contact block, conforms to IEC 947-5-5 and IEC 947-5-1.

Mushroom Pushbutton Operators - Latch In, Twist To Release



Mushroom Pushbutton Operators



Contact Block

Description	Head	Button Colour	Chrome Bezel	Stock Code	Price \$ ex. GST	Black Bezel	Stock Code	Price \$ ex. GST
Push to latch-twist to release	28mm	Red	E22ML2	S	63.72	E22MLB2	S	54.50
	40mm	Red	E22LL2	S	66.57	E22LLB2	S	61.64
Push to latch-pull to release	50mm	Red (Emergency Stop)	E22JPL2N8	S	70.53	E22JPLB2N8	I	65.31
Push to latch-key release	50mm	Red	E22G2	S	117.48	E22GB2	I	104.27

Operators will accommodate only 2 contact blocks

Push-Pull operators

2 position Maintained	Head	Button Colour	Chrome Bezel Cat No.	Stock Code	Price \$ ex. GST
	40mm	Red	E22ED2	S	69.85
		Red (Emergency Stop)	E22ED2N8	I	70.20
	40mm	Red (Illuminated)	E22GD2	S	69.85

Operators will accommodate only 2 contact blocks

Automation and Control

22.5mm Illuminated Pushbuttons & Indicating lights



Powering Business Worldwide



Pushbutton Operator



Bulb



Light Unit



Contact Block

PUSHBUTTON OPERATORS SUITABLE FOR ILLUMINATING





	Button Colour	Chrome Bezel	Stock Code	Price ex. GST	Black Bezel	Stock Code	Price \$ ex. GST
Flush 	Red	E22N2	S	29.94	E22NB2	S	29.94
	Green	E22N3	S	29.94	E22NB3	S	29.94
	Yellow	E22N4	S	29.94	E22NB4	I	29.94
	White	E22N5	S	29.94	E22NB5	I	29.94
	Blue	E22N6	S	29.94	E22NB6	S	29.94
	Amber	E22N9	S	29.94	E22NB9	S	29.94
	Clear	E22N0	S	29.94	E22NB0	I	29.94
Extended 	Red	E22T2	S	30.06	E22TB2	I	27.83
	Green	E22T3	S	30.06	E22TB3	S	30.06
	Yellow	E22T4	I	30.06	E22TB4	I	30.06
	White	E22T5	S	30.06	E22TB5	S	30.06
	Blue	E22T6	I	30.06	E22TB6	I	30.06
	Amber	E22T9	S	30.06	E22TB9	I	30.06
	Red	E22TX2	S	30.06	-		
	Green	E22TX3	S	30.06	-		

INDICATING LIGHTS

Indicating lights with plastic lenses

	Lens Colour	Standard Cat. No.	Stock Code	Price \$ ex. GST
 +  + 	red	E22H2	S	13.83
	green	E22H3	S	13.83
	yellow	E22H4	S	13.83
	white	E22H5	S	13.83
	blue	E22H6	S	13.83
	amber	E22H9	S	13.83
	clear	E22H0	S	13.83

Direct Voltage Indicating Lights (bulb not included)

	Lens Colour	Part Number	Stock Code	Price \$ ex. GST
Direct voltage without resistor  + 	Red	E22HV2	S	23.81
	Green	E22HV3	S	23.81
	Yellow	E22HV4	S	23.81
	White	E22HV5	S	23.81
	Blue	E22HV6	S	23.81
	Amber	E22HV9	S	23.81
	Clear	E22HV0	S	23.81
Direct voltage with built-in resistor  + 	Red	E22HR2	S	31.87
	Green	E22HR3	S	31.87
	Yellow	E22HR4	S	31.87
	White	E22HR5	S	31.87
	Blue	E22HR6	S	31.87
	Amber	E22HR9	S	31.87
	Clear	E22HR0	S	31.87



Use neon or incandescent bulb.

Order bulb separately. For 240V applications use LED or neon bulbs. Maximum rating of lamp used with indicating lights: 240V 2.2W. See page 3-26 for a selection of BA9 bulbs

Automation and Control



Light Source Units & Press to Test Units

Light Source Unit BA9s bayonet fitting

Description	Supply Voltage	Bulb Voltage	Part Number	Stock Code	Price \$ ex. GST
Direct Voltage (Without Bulb) 	Max 240V (see note)	Order bulb separately	E22D	S	25.97
Transformer 	110VAC	6V	E22TL1	S	88.80
	240VAC	6V	E22TL2	S	88.80
	415VAC	6V	E22TL3	S	88.80
Resistor/Diode (110V bulb)	220/240VAC	110V	E22R1	S	69.75
Resistor Unit (60V bulb)	110/120VAC	60V	E22R2	S	69.75

- For 240V applications use LED or neon bulbs. Maximum rating of lamp used with indicating lights: 240V 2.2W. Maximum rating of lamp used with operators: 60V, 1.2W
- Resistor units for use with indicating lights only. Do not use with illuminated operators. Do not use LEDs with Resistor type units.
- Transformers E22TL2 will accommodate 2 contact blocks. Transformer E22TL1 does not accommodate contact blocks.

Press to Test Light Source Units for use with illuminated operators

Description	Supply Voltage	Bulb Voltage	Part Number	Stock Code	Price \$ ex. GST
Direct Voltage 	24V	12V	E22D24C*	S	65.77
Transformer 	110VAC	6V	E22TL1C	S	112.61
	240VAC	6V	E22TL2C	S	112.61

Press to test light source units come complete with 1NO and 1NC contact blocks.

*Press to test light unit comes with 24V Incandescent bulb, but the unit can be applied at voltages up to 240V. For other voltages, order separate bulb.

3

Automation and Control

BA9 Bulbs. Suitable for 22mm and 30.5mm light units



BULBS

Incandescent Bulbs

Supply Voltage	Watts	Part Number	Stock Code	Price \$ ex GST
6.3V	0.9W	28-2225-12	S	8.22
12V	1.2W	21BA9S12	S	8.22
24V	1.2W	28-2225-13	S	8.22
30V	1.2W	21BA9S30	S	8.22
130V	2.2W	28-2225-24	S	8.22

For 240V applications use LED or neon bulbs. Maximum rating of lamp used with indicating lights: 240V 2.2W. Maximum rating of lamp used with operators: 60V, 1.2W

Discount Schedule B15



Bright LED Bulbs - Single Chip (AC/DC)

Colour	6V	12V	24V	110V	240V	Stock Code	Price \$ ex GST
Red	21BA9SL6R	21BA9SL12R	21BA9SL24R	21BA9SL110R	21BA9SL240R	S	32.78
Green	21BA9SL6V	21BA9SL12V	21BA9SL24V	21BA9SL110V	21BA9SL240V	S	32.78
Yellow	21BA9SL6G	21BA9SL12G	21BA9SL24G	21BA9SL110Y	21BA9SL240A	S	32.78
White	21BA9SL6W	21BA9SL12W	21BA9SL24W	21BA9SL110W	21BA9SL240W	S	32.78

Discount Schedule B15



Super Bright LED Bulbs (Recognisable in Outdoor daylight applications - AC only)

Colour	6-12V	24V	120V	Stock Code	Price \$ ex. GST
Red	E22LED612RN	E22LED024RN	E22LED120RN	S	63.17
Green	E22LED612GN	E22LED024GN	E22LED120GN	S	63.17
Yellow	E22LED612YN	E22LED024YN	E22LED120YN	S	63.17
White			E22LED120WN	S	63.17

Discount Schedule C11



Neon Bulbs

Supply Voltage	Colour	Part Number	Stock Code	Price \$ ex GST
110V	Clear	21BA9S110N	S	10.43
240V	Clear	21BA9S240N	S	10.43
240V	Green	21BA9S240NG	S	10.43
240V	Red	21BA9S240NR	S	10.43

Automation and Control

22.5mm Selector Switches

SELECTOR SWITCHES NON-ILLUMINATING



Two-Position Selector Switches

Knob selector switch	Chrome Bezel	Stock Code	Price \$ ex GST	Black Bezel	Stock Code	Price \$ ex GST
Maintained	E22X51	S	24.41	E22XB51	S	23.98
Spring return from right to left	E22X61	S	24.41	E22XB61	S	23.98

Lever selector switch	Chrome Bezel	Stock Code	Price \$ ex GST	Black Bezel	Stock Code	Price \$ ex GST
Maintained	E22V51	S	24.41	E22VB51	S	23.98
Spring return from right to left	E22V61	I	24.41	E22VB61	I	23.98

Key Selector Switches	Key Removal Position	Chrome Bezel	Price \$ ex GST	Black Bezel	Price \$ ex GST
Maintained	Right & Left	E22K53	56.59	E22KB53	56.59
Spring return from right to left	Left	E22K62	56.59	E22KB62	56.59

Three-Position Selector Switches

Knob selector switch	Cam	Chrome Bezel	Stock Code	Price \$ ex GST	Black Bezel	Stock Code	Price \$ ex GST
Maintained	1	E22XG1	S	28.73	E22XBG1	S	25.06
	2	E22XH1	S	28.73	E22XBH1	S	25.06
Spring return from right to centre	1	E22XN1	S	30.35	E22XBN1	I	25.06
	2	E22XP1	S	30.35	E22XBP1	I	25.06
Spring return from right and left to centre	1	E22XL1	S	30.35	E22XBL1	S	25.06
	2	E22XM1	I	30.35	E22XBM1	I	25.06
Spring return from left to centre	1	E22XJ1	S	30.35	E22XBJ	I	25.06
	2	E22XK1	I	30.35	E22XBK1	I	25.06

Lever selector switch	Cam	Chrome Bezel	Stock Code	Price \$ ex GST	Black Bezel	Stock Code	Price \$ ex GST
Maintained	1	E22VG1	S	28.73	E22VBG1	S	25.06
	2	E22VH1	S	28.73	E22VBH1	I	25.06
Spring return from right to centre	1	E22VN1	I	30.35	E22VBN1	I	25.06
	2	E22VP1	I	30.35	E22VBP1	I	25.06
Spring return from right and left to centre	1	E22VL1	S	30.35	E22VBL1	S	25.06
	2	E22VM1	I	30.35	E22VBM1	I	25.06
Spring return from left to centre	1	E22VJ1	I	30.35	E22VBJ	I	25.06
	2	E22VK1	I	30.35	E22VBK1	I	25.06

Key Selector Switches	Key Removal Position	Cams	Chrome Bezel	Price \$ ex GST	Black Bezel	Price \$ ex GST
Maintained	All positions	1	E22KG7	56.60	E22KBG7	56.60
Spring return from right and left to centre	Centre	1	E22KL4	56.60	E22KBL4	56.60

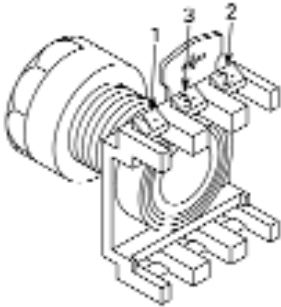
Assembled Manual/Off/Auto Selector Switch	Description	Part Number	Price \$ ex GST
Maintained	Manual/Off/Auto, knob, black bezel. Contact blocks included	E22XBG1D	78.14

Automation and Control

22.5mm Selector Switch Tutorial

Contact Block	Description
E22B1	1NC
E22B2	1NO
E22B11	1NO-1NC
E22B20	2NO

3



1- 2- 3- Contact Block Mounting Position Numbers Molded in 3-Way Mounting Adapter

Step 1: Choose Operator

- Knob or Lever
- Black or Chrome Bezel
- Maintained or Spring Return

Step 2: Determine Contact Block Arrangement

In order to determine which contact blocks to use, you must first develop a line circuit diagram (or "XO diagram") for each application.

An "X" represents a closed circuit, while an "O" represents an open circuit. Each line in an XO diagram represents a separate circuit

- Develop Line Circuit Diagram (X O Diagram)
- Determine Cam Code (3 Position switches only)
- Choose Contact Blocks based on selection table

2 Position Switches

Circuit 	Catalog Number of Contact Block(s)/ Mounting Position	
	1	2
O X	E22B2	(pos 1 or 2)
X O	E22B1	(pos 1 or 2)
O X	E22B11	(pos 1 or 2)
O X	E22B2	E22B1
X O	E22B20	(pos 1 or 2)
O X	E22B2	E22B2
O X	E22B1	E22B1
X O	E22B20	E22B2
O X		
X O	E22B1	E22B11
O X		
X O	E22B1	E22B20
O X		
O X	E22B11	E22B2
X O		
O X	E22B20	E22B20
O X		
O X		
O X	E22B20	E22B11
O X		
X O	E22B11	E22B11
O X		
X O		

Table 1

Automation and Control

22.5mm Selector Switch Tutorial

Cam and Contact Block Selection

3 Position Switches

Circuit	Cam	Catalog Number of Contact Block(s) Mounting Position	
		1	2
X O O	1	E22B2	—
O O X	1	—	E22B2
O X X	1	C22D1	—
X X O	1	—	F22R1
X O X	2	F22R2	—
O X O	2	E22B1	—
O O X	2	—	E22B2
X X O	2	—	E22B1
X O O	1	C22D2	C22D2
X O O	1	E22B2	E22B1
O X X	1	E22B1	E22B2
O O X	1	E22B1	E22B1
X O O	1	F22R11	—
O X X	1	F22R20	—
O O X	1	—	C22D11
O O X	1	—	E22B20
X O O	1	E22B11	E22B1
O X O	2	E22B2	E22B2
X O X	2	F22R2	F22R4
X X O	2	F22R1	F22R2
O O X	2	C22D1	C22D1
X O X	2	E22B11	—
O X X	2	E22B20	—
O O X	2	E22B11	—
O O X	2	—	F22R20
O O X	2	—	—

Circuit	Cam	Catalog Number of Contact Block(s) Mounting Position	
		1	2
X O O	1	E22B2	E22B11
O O X	1	—	—
X X O	1	F22R2	F22R20
O X X	1	E22B1	E22B11
O O X	1	—	—
X X O	1	F22R1	F22R20
O X X	1	E22B11	E22B2
O X X	1	—	—
O O X	1	F22R20	F22R2
X O O	1	E22B11	E22B1
O X X	1	F22R20	F22R1
X O O	1	E22B11	E22B11
O X O	2	F22R2	F22R11
O O X	2	E22B2	E22B20
O O X	2	F22R1	F22R11
O O X	2	E22B1	E22B20
O O X	2	F22R11	F22R2
X O X	2	E22B20	E22B2

Circuit	Cam	Catalog Number of Contact Block(s) Mounting Position	
		1	2
X O X	2	E22B11	E22B1
O X O	2	—	—
X X O	2	F22R20	F22R1
X O X	2	E22B11	E22B11
O X X	2	—	—
O X X	2	E22B11	E22B20
X O O	2	C22D20	C22D11
X O O	2	F22R20	F22R20
O O X	2	E22B11	E22B11
O O X	2	E22B11	E22B20
O O X	2	E22B20	E22B11
X O X	2	E22B20	E22B20

Table 2

3

Automation and Control

22.5mm Legend Plates



Legend Plates for E22 Operators - two sizes of aluminium legend plates are available for use with E22 operators. A smaller adhesive-backed legend plate is available to fit the E22 enclosure. To order,

1. Select plate style from the chart below. This gives the first 5 digits of the 7- or 8-digit catalogue number.

2. Select the legend text from the chart on the following page. The code gives the last 2 or 3 digits of the catalogue number.

Eg, for legend plate marked "START" order E22NE33

3

Stock Code Q

Legend Plate Variety	Size (mm)	Cat. No.	Price \$ ex GST
Aluminium legend plate for operators	30x45	E22NE--	5.11
Aluminium legend plate for operators	40x45	E22NF--	4.83
Adhesive-backed legend plate for enclosure	19x19	E22NC--	4.54

Legend	Code	Legend	Code	Legend	Code
(blank)	36	Jog Rev	21	Power On	80
(blank)(red)	37	Left	10	Raise	28
Auto Off Hand	49	Left Right1	66	Ready	86
Clamp	90	Left Right2	117	Reset	29
Close	11	Loc Rem1	63	Rev	6
Down	12	Loc Rem2	116	Reverse	30
Emerg. Stop (red)	13	Low	22	Right	79
Fast	14	Lower	23	Run	31
For	4	Man Auto1	67	Seq. Test1	62
Forward	15	Man Auto2	118	Seq. Test2	115
For Off Rev	50	Man Off Auto	68	Slow	32
For Rev1	38	Motor Run	81	Slower	88
For Rev2	101	Motor Running	56	Start	33
Hand Auto1	39	Motor Stop	82	Start Inch1	77
Hand Auto2	102	Motor Stopped	57	Start Inch2	119
Hand Off Auto	51	O (red)	64	Start Stop1	47
High	16	O I1	122	Start Stop2	110
High Low1	40	O I 2	120	Stop (red)	34
High Low2	103	Off (red)	24	Stop Reset (red)	58
I	65	Off On1	42	Supply On	61
I O II	121	Off On2	105	Test	83
In	17	On	25	Trip	84
Inch	18	Open	26	Unclamp	91
Inch Forward	76	Open Close1	43	Up Down1	48
Inch Reverse	59	Open Close2	106	Up Down2	111
Inch Run1	60	Open Off Close	53	Up	35
Inch Run2	114	Out	27	Special legend 36x*	36X
Jog	19	Overload Tripped	98	Special 37x* (red)	37X
Jog For	96	Overload Reset	100		

*specify required legend

Notes

All legends not specifically marked "(red)" are black.










Legends marked "1" are for selector switches with left/right switch angle



Legends marked "2" are for selector switches with centre/right switch angle

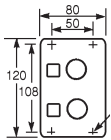
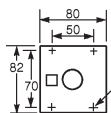
Automation and Control

22.5mm Accessories & Enclosures



3

Description	Stock Code	Cat No.	Price \$ ex GST	
 Operator plug To operate centre contact block on pushbuttons and momentary mushroom operators	S	E22BA2	2.27	
 Five way mounting adaptor For use with: - Non-illuminating operators and mushroom operators - Non-illuminating knob, key and lever type selector switches		E22BA11 E22BA12	6.80 6.80	
 Padlockable transparent cover For use with: - Flush and extended pushbuttons. - Extended pushbuttons. Enables NC circuit to be held open when padlocked - 28mm mushroom operators, knob and key selector switches		E22PCM E22PCPM E22BA9	27.11 27.11 27.11	
 Mechanical Push For use with pushbuttons and push-pulls only. Cut to required length.		E22MRL	14.29	
 Protective Boot Forms oil and watertight seal to IP66. For flush and extended pushbuttons only.	Red	S	E22BRM	11.79
	Green	S	E22BGM	11.79
	Black	S	E22BBM	11.79
	Clear	S	E22BCM	11.79
 Mushroom Shroud Protects against inadvertent operation. Suitable for all operators up to 40mm dia.	Half Shroud	I	E22MS	49.79
	Full Shroud	S	E22MSF	70.88
 Hole Plug Forms oil and watertight seal to IP66. For unused panel hole	S	E22BHP	5.79	
 Hole Reducer Converts 30.5mm hole in enclosures to 22.5mm	S	E22BA14	24.61	
 DIN Adapter For mounting pushbuttons on DIN Rail Can only be used with E22B1 and E22B2 Contact Blocks	S	E22IVS	13.82	

Enclosures - Polycarbonate IP65	Description	Usable Depth	Cat No.	Price \$ ex GST	
	One Hole Enclosure	Grey	56mm	E22CSP1	87.32
		Grey	86mm	E22CDP1	87.32
		Yellow Lid	56mm	E22CSP1Y	96.39
	Two Hole Enclosure	Grey	56mm	E22CSP2	94.24
	Three Hole Enclosure	Grey	56mm	E22CSP3	107.28



Note: For painted steel and stainless steel enclosures refer to enclosures for 30.5mm pushbuttons page 3-42 Use hole adaptor E22BA14.
- 20mm conduit entry

Assembled E22 Stations	Description	Cat No.	Price \$ ex GST
 	Emergency Stop Station		
	40mm Mushroom Latch-In twist to release		
	NC Contact	E22AS106	146.12
	Start Stop Station		
	Green-Start NO Contact		
	Red-Stop NC Contact	E22AS201	207.74

Built Tough To Last



Eaton's Cutler-Hammer 30.5mm pushbuttons are designed to operate in the harshest environments. They are durable, tough, and built to last.

Both illuminated and non-illuminated operators are available in rugged, die-cast zinc with a chrome plated housing (T Series) or a corrosion resistant, UV stabilised epoxy coating (E34 Series). All buttons are IP66 rated.

Designed to operate 10 million times, these buttons are the toughest around.

- * IP66 IEC947-5-1
- * Rugged die-cast zinc construction
- * Capable of 10 million operations
- * Colour coded contact block plungers

EATON
Powering Business Worldwide

For further information:
1300 332 866
www.eatonelectric.com.au

All Prices Exclude GST

Automation and Control

30.5mm Pushbuttons



The T Series and E34 30.5mm pushbuttons are industrial heavy-duty pushbuttons that conform to IEC 947-5-1. Made from rugged die-cast zinc, these buttons are IP66 rated. The T Series and E34 ranges include illuminated and non-illuminated pushbuttons, indicating lights, selector switches, push-pull operators, and padlockable.

3



T Series Flush Button

T Series Pushbuttons

Eaton's T Series 30.5mm pushbuttons feature a durable zinc die cast construction with chrome plating. Stackable contact blocks with colour coded plungers screw securely to the back of the operator. Pushbuttons are capable of 10 million operations.



E34 Extended Button

E34 Corrosion Resistant Pushbuttons

Eaton's E34 range 30.5mm pushbutton line features the same rugged construction of the T Series with an additional two-layer epoxy coating. This coating provides a flat black smooth corrosion resistant surface. This makes the E34 range perfect for harsh, corrosive environments.


PUSHBUTTON OPERATORS

	Button Colour	T Series	Stock Code	Price \$ ex GST	E34	Stock Code	Price \$ ex GST
Flush Button	Black	T101	S	38.10	E34PB1	S	38.10
	Red	T102	S	38.10	E34PB2	S	38.10
	Green	T103	S	38.10	E34PB3	S	38.10
	Yellow	T104	S	38.10	E34PB4	S	38.10
	Grey	T105	S	38.10	-		
	White	T106	S	38.10	E34PB5	I	38.10
	Blue	T108	S	38.10	E34PB6	S	38.10
Extended Button	Black	T111	S	38.10	E34EB1	S	38.10
	Red	T112	S	38.10	E34EB2	S	38.10
	Green	T113	S	38.10	E34EB3	S	38.10
	Yellow	T120	S	38.10	E34EB4	I	38.10
	Blue	T118	S	38.10	E34EB6	I	38.10

Automation and Control

30.5mm Contact Blocks & Mushroom Operators

CONTACT BLOCKS

	Contact Configuration	Catalogue Number	Stock Code	Price \$ ex GST	
	Standard Contact Blocks	1NO/1NC	T1P	S	40.26
	2NO	T2P	S	40.26	
	2NC	T3P	S	40.26	
	1NC	T51P	S	34.47	
	1NO	T53P	S	34.47	
	2NO/2NC	T44	S	80.40	
	1LONC/1ECNO	T55	S	40.26	
	2LONC	T45	S	40.26	
Base Mounting Contact Blocks	1NO/1NC	T6	S	40.26	
	2NO	T71	S	40.26	
	2NC	T8	S	40.26	
Logic Level (with palladium contacts)	1NO/1NC	T1E	S	80.41	
	2NO	T2E	S	80.41	
Terminal Boots (IP20 Finger Protection)	Pack of 10	10250TA101	S	15.65	

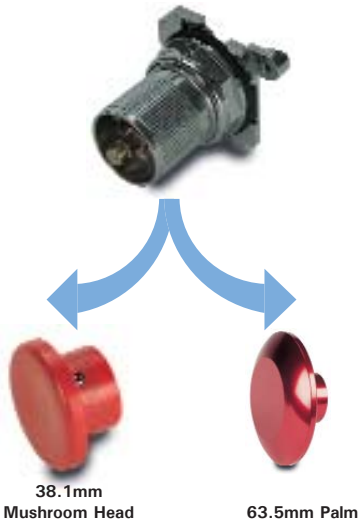
NO=Normally Open; NC=Normally Closed; EC=Early Closing; LO=Late Opening

3

MUSHROOM PUSHBUTTON OPERATORS (MOMENTARY)

	Button Colour	T Series	Stock Code	Price \$ ex GST	E34	Stock Code	Price \$ ex GST	
	Mushroom Button	Black	T121	S	76.10	E34LB1	I	76.10
	Red	T122	S	76.10	E34LB2	I	76.10	
	Green	T123	S	76.10	E34LB3	I	76.10	
	Yellow	T124	S	76.10	E34LB4	I	76.10	
	Blue	T129	S	76.10	E34LB6	I	76.10	
	Palm Head Button (Zinc Alloy)	Black	T171	S	80.41	E34JB1	I	80.41
	Red	T172	S	80.41	E34JB2	I	80.41	
	Red (Emergency Stop)	T17213	S	80.41	E34JB2N8	I	80.41	
	Green	T173	S	80.41	E34JB3	I	80.41	
	Yellow	T174	S	80.41	E34JB4	I	80.41	

BARE SHAFT OPERATORS AND OPERATING HEADS



Bare Shaft Operators	Cat No.	Stock	
Momentary, spring return	T100	S	77.25
Auto-Latch, twist base to release	T140	S	82.08

38.1mm Mushroom Head

Colour	Cat No	Stock Code	Price \$ ex GST
Black	T281	I	22.36
Red	T282	S	22.36
Green	T283	S	22.36
Yellow	T284	S	22.36

63.5mm Palm

Colour	Cat No	Stock Code	Price \$ ex GST
Black	T291	S	42.12
Red	T292	S	42.12
Green	T293	S	42.12

Automation and Control

30.5mm Emergency Stop Stations & Push Pull Operators



Push-Pull Operators, Complete

	Head Diameter	Colour	T Series	Stock Code	Price \$ ex GST	E34 Series	Stock Code	Price \$ ex GST
Non Padlockable Operators	38mm Mushroom	Red, Plastic	T129S	S	114.26	E34129S	S	114.37
	45mm Mushroom	Red, Diecast Zinc	T129M	S	138.56	E34129M	S	138.56
	63.5mm Palm	Red, Diecast Zinc	T176M	S	162.54	E34176M	S	162.54
Stalock Padlockable Operators	45mm Mushroom	Red, Diecast Zinc	T129P	S	157.68	E34129P	S	157.68
	63.5mm Palm	Red, Diecast Zinc	T176P	S	183.81	E34176P	S	183.81

3

Accessories for Push-Pull Operators

Description	Cat No.	Stock Code	Price \$ ex GST
Aluminium Legend "Stop/Pull to Reset"	D2179-53CP	S	12.02
Plastic Legend "Stop/Pull to Reset"	E34LP179	I	12.02
Stalock Padlock Assembly Kit (3pcs)	6-A474	I	74.84



Push-Pull Stop Stations

Available assembled inside an aluminium alloy enclosure, in standard and padlockable varieties.

Standard varieties are available with metal mushroom or metal palm operators.

All padlockable varieties have metal buttons and are available with or without padlock.

Push-Pull Stop Stations (Non-Padlockable)

Stock Code S

Operator Head	Contacts	Cat No.	Price \$ ex GST
Metal mushroom	1LONC	10250T700M	279.07
	1ECNO,1LONC	10250T701M	260.06
Metal palm	1LONC	10250T700P	299.48
	1ECNO,1LONC	10250T701P	314.50

"Staylock" Push-Pull Stop Stations (Padlockable)

Stock Code S

Operator Head	Contacts	Padlock Included	Cat No.	Price \$ ex GST
45mm metal mushroom	1LONC	NO	ESM9/5	301.32
	1LONC	YES	ESM9/5P	380.16
	1ECNO,1LONC	NO	ESM9/6	316.44
	1ECNO,1LONC	YES	ESM9/6P	385.56
63.5mm metal palm	1LONC	NO	ESP6/5	318.60
	1LONC	YES	ESP6/5P	408.24
	1ECNO,1LONC	NO	ESP6/6	344.52
	1ECNO,1LONC	YES	ESP6/6P	421.20

Automation and Control

30.5mm Illuminated/Non Illuminated Push-Pull Operators





PUSH-PULL OPERATORS


Push-Pull Operators, Components (order button or lens separately)

Description	Positions	T Series	Stock Code	Price \$ ex GST	E34	Stock Code	Price \$ ex GST
Momentary Push and Pull	3	T4	S	102.28	E34GEB	I	102.28
Maintained Push and Pull	2	T5	S	86.40	E34GDB	S	108.54

Lenses and Buttons for Push-Pull Operators

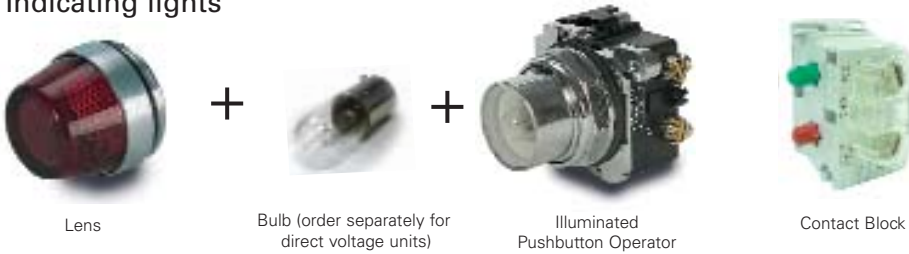
Description	Colour	Cat No.	Stock Code	Price \$ ex GST
 Button - Non Illuminated	Red	E34C2	S	25.70
	Red (Emergency Stop)	E34C2N8	S	25.70
	Green	E34C3	I	25.70
	Black	E34C1	S	25.70
 Lens - Suitable for Illuminating	Red	E34M2	S	25.70
	Red (Emergency Stop)	E34M2N8	S	25.70
	Green	E34M3	S	25.70
	Amber	E34M9	S	25.70

Light Unit for Push-Pull Operators

Description	Cat No.	Stock Code	Price \$ ex GST	
 Full voltage light unit Bulb not included Order bulb separately from page 3-26	10250T70	S	83.59	
	Transformer light unit-110VAC, 6V secondary	10250T63	I	177.12
	Transformer light unit-240VAC, 6V secondary	10250T65	S	177.12
	Transformer light unit-415VAC, 6V secondary	10250T66	I	177.12

Automation and Control

30.5mm Illuminated Pushbuttons & Press Test Indicating Lights

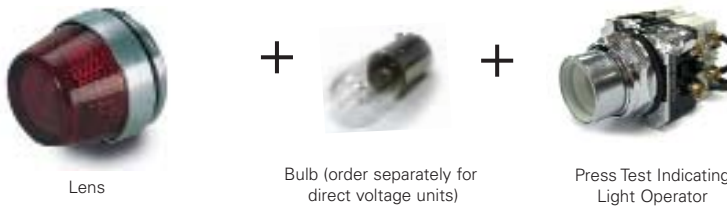


Illuminated Pushbuttons

Order lenses separately. Bulbs supplied with transformer types.

Description	Supply Voltage	T Series	Stock Code	Price \$ ex GST	E34 Series	Stock Code	Price \$ ex GST
Direct Voltage Type*	6-240V	T441	S	171.72	E34CB	S	171.72
Transformer Type	110/120	T411	S	171.72	E34XB120	I	171.72
6V, 1W BA9s bayonet bulb included	220/240	T412	S	171.72	E34XB240	I	171.72

* Supplied without bulb. Order bulbs separately see page 3-26



Pretest Indicating Lights

Plastic lens

Glass lens

Description	Supply Voltage	T Series	Stock Code	Price \$ ex GST	E34 Series	Stock Code	Price \$ ex GST
Transformer Type	110/120	T221N	I	180.36	E34TPB120	S	180.36
6V, 1W BA9s bayonet bulb included	220/240	T222N	S	180.36	E34TPB240	I	180.36
Direct Voltage Type	6-240V	T230N	S	143.21	E34FPB	S	143.21

Supplied without bulb. Uses BA9s bayonet bulb

Lenses for Illuminated Pushbutton and Pretest Pushbuttons

Description	Colour	Cat No.	Stock Code	Price \$ ex GST
Plastic For use with T Series and E34 Series	Red	E34V2	S	9.87
	Green	E34V3	S	9.87
	Yellow	E34V4	S	9.87
	Amber	E34V9	S	9.87
	Blue	E34V6	S	9.87
	Clear	E34V0	S	9.87
	White	E34V5	S	9.87
Glass Lenses for T Series Operators	Red	TC13N	S	31.54
	Green	TC14N	S	31.54
	Amber	TC15N	I	31.54
	White	TC18N	S	31.54
Glass Lenses for E34 Operators	Red	E34P2	S	31.54
	Green	E34P3	S	31.54
	Amber	E34P9	S	31.54

Whit

3

Automation and Control

30.5mm Indicating lights



=



Indicating Light Complete

Plastic lens

Bulb




Indicating Light Operator

Indicating Light Operators

Description	Supply Volts	T Series	Stock Code	Price \$ ex GST	E34 Series	Stock Code	Price \$ ex GST
Transformer Type	110/120	T181N	S	140.40	E34TB120	S	140.40
6V, 1W BA9s bayonet bulb included	220/240	T182N	S	140.40	E34TB240	S	140.40
	380/415	T183N	S	140.40	E34TB380	I	140.40
	440/480	T184N	S	140.40	E34TB480	I	140.40
Resistor Type	110/120	T201N	I	118.80	E34RB120	I	118.80
120V, 2.2W BA9s bayonet bulb included	220/240	T202N	S	118.80	E34RB240	I	118.80
Direct Voltage Type	6-240V	T197N	S	72.36	E34FB	S	72.36
Supplied without bulb. Uses BA9s bayonet bulb							
Direct Voltage Type	6-240V	T200N	S	60.48			
Supplied without bulb. Uses BA15d bayonet bulb							

For BA9s bulbs, see page 3-26. Order lenses separately, bulbs supplied with transformer and resistor types.

Lenses for Indicating Lights

Description	Colour	Cat No.	Stock Code	Price \$ ex GST
 Plastic for Use with T Series and E34 Series	Red	E34H2	S	10.43
	Green	E34H3	S	10.43
	Yellow	E34H4	S	10.43
	Amber	E34H9	S	10.43
	Blue	E34H6	S	10.43
	Clear	E34H0	S	10.43
	White	E34H5	S	10.43
 Glass for T Series	Red	TC7N	S	34.45
	Green	TC8N	S	34.45
	Amber	TC9N	S	34.45
	Blue	TC10N	S	34.45
	Clear	TC11N	S	34.45
	White	TC12N	S	34.45
 Glass for E34	Red	E34G2	S	34.45
	Green	E34G3	S	34.45
	Amber	E34G9	S	34.45
	Blue	E34G6	S	34.45
	Clear	E34G0	S	34.45
	White	E34G5	S	34.45

BA15d Bulbs for T200N Direct Voltage Light Units

Voltage	Catalogue Number	Stock Code	Price \$ ex GST
12	28-2225-19	S	11.99
24	28-2225-20	S	11.99
36	28-2225-25	S	11.99
48	28-2225-21	I	11.99
120	28-2225-22	S	11.99
240	28-2225-23	S	11.99

Automation and Control

30.5mm Knob & Lever Selector Switches



Selector Switch



Knob



Contact Block

Knob and Lever Selector Switches are available in the heavy duty T-range and the corrosion-resistant E34 range. To build complete selector switch,

3

Stock Code S

Operator Shaft	Cam No.	T-Range Cat. No.	Price \$ ex GST	E34 Range Cat. No.	Price \$ ex GST
2-position stay-put	1	T4011	66.31	E34VFB	66.31
2-position spring return (from R to L)	1	T4081	66.31	E34VEB	66.31
3-position stay-put	2	T4022	66.31	E34VGB	66.31
3-position stay-put	3	T4023	66.31	E34VHB	66.31
3-position stay-put	4	T4024	66.31	-	-
3-position stay-put	6	T4026	66.31	-	-
3-position (spring return from L, stay-put C&R)	2	T4032	70.42	E34VJB	70.42
3-position (spring return from L, stay-put C&R)	3	T4033	70.42	E34VKB	70.42
3-position (spring return from R+L to C)	2	T4042	70.42	E34VLB	70.42
3-position (spring return from R+L to C)	3	T4043	70.42	E34VMB	70.42
3-position (stay-put L and C, spring ret from R)	2	T4052	70.42	E34VNB	70.42
3-position (stay-put L and C, spring ret from R)	3	T4053	70.42	E34VPB	70.42
4-position stay-put	7	T4067	72.25	E34VTB	72.25

R = right L = left C = centre

Stock Code S

Knobs and Levers	Cat. No.	Price \$ ex GST
Knob, black (other colours available)	E34K1	16.90
Knob, metal	T341M	58.43
Lever, black (other colours available)	E34L1	23.22
Lever, dustproof**	E34A1	28.08
Coin slot lever	TCB	23.22

**The dustproof lever is rubber sealed and not recommended for use with spring-return operators.

Note: 1/16" allen key required for fitting knobs and levers. Part number -008-134

Cam Selection Chart - To determine the number of the cam you require and the correct contact block, find the desired contact sequence below:

Cat. No. of Contact Block		Contact Block Circuit	Number of Selector Switch Positions					
1-hole mount	base mount		2	3			4	
			Cam 1	Cam 2	Cam 3	Cam 4	Cam 6	Cam 7
T1P	T6	N.C.	XO	OXO	OXX	XOO	XOO	XOOO
		N.O.	OX	OOX	OXX	OXO	OXO	OXOO
T1P	T6	N.O.	XOX	XOX	XOX	OXX	OOX	OOXO
		N.C.	XO	XXO	XXO	XOX	OOX	OOOX
T2P	T7	N.O.	OX	XOX	XOO	OXX	OOX	OOXO
		N.O.	OX	OXX	OXX	OXO	OXO	OXOO
T3P	T8	N.C.	XO	OXX	OXX	XOO	XOO	XOOO
		N.C.	XO	XXO	XXO	XOX	OOX	OOOX

X=contacts closed
O=contacts open

Switching angle between each position: 60°

Get more contact combinations by stacking contact blocks in tandem - maximum of 6 blocks/12 circuits.

Automation and Control

30.5mm Key Selector Switches



Key Selector Switches are available in the heavy duty T-range and the anti-corrosive E34 range. Supplied with standard lock and two keys. Standard key removal position is given in main table. To select complete unit,

1. Choose key operator.
2. Choose required cam from previous page.
3. Select contact block from page 3-34
3. If required, select legend plate from page 3-42

Stock Code S

Key Operators	Cam No.	Std. Key Removal	T-Range Heavy Duty Cat. No.	Price \$ ex GST	E34 Anti-Corrosive Cat. No.	Price \$ ex GST
2-position stay-put	1	R	T15111	138.56	E34KFB1	138.56
2-position stay-put	1	L	T15112	138.56	E34KFB2	138.56
2-position stay-put	1	R,L	T15113	138.56	E34KFB3	138.56
2-position spring return (from R to L)	1	L	T15712	138.56	E34KEB2	138.56
3-position stay-put	2	L,R,C	T15227	138.56	-	-
3-position stay-put	3	L,R,C	T15237	138.56	E34KHB7	138.56
3-position stay-put	4	L,R,C	T15247	138.56	-	-
3-position stay-put	2	C	T15224	138.56	E34KGB4	138.56
3-position stay-put	3	C	T15234	138.56	E34KHB4	138.56
3-position stay-put	4	C	T15244	138.56	-	-
3-position stay-put	6	C	T15264	138.56	-	-
3-position (spring return from L)	2	R,C	T15325	138.56	-	-
3-position (spring return from L)	3	R,C	T15335	138.56	E34KKB5	138.56
1-position (spring return from R&L to C)	2	C	T15424	148.50	E34KLB4	148.50
3-position (spring return from R&L to C)	3	C	T15434	148.50	E34KMB4	148.50
3-position (spring return from R)	2	L,C	T16526	148.50	E34KNB6	148.50
3-position (spring return from R)	3	L,C	T16536	148.50	-	-
4-position stayput	7	All	T16777	148.50	-	-

R = right L = left C = centre

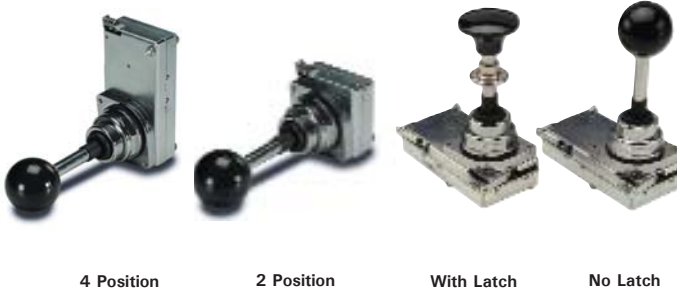
Alternative Key Removal Positions are available for key selector switches. To select an alternative, replace the last digit of the key selector catalogue number above with a single code number below:

removal position	R-only	L-only	R&L	C-only	R&C	L&C	All
code	1	2	3	4	5	6	7

Note: Key removal in a spring return position is not available.
Non standard keys are available, contact Eaton.

Automation and Control

30.5mm Joystick Operators



Joystick Operators

- Supplied with 4 position gate fitted
- 3 additional gates supplied which allows conversion to 2, 3 or 8 positions
- Up to 8 switching positions
- Up to 12 circuits

3

Two Position

Joysticks	Cat. No.	Price \$ ex GST
Spring return only, no latch	T452	219.24

Four Position Spring Return Only

Accessories	Cat. No.	Price \$ ex GST
No latch	T450	230.04
With latch	T460	286.20

Four Position Maintained Positions

Accessories	Cat. No.	Price \$ ex GST
No latch	10250T451_	249.48
With latch	10250T461_	308.88

Note: Joystick maintained positions are outlined in the table below. Suffix code must be added to complete part number.
Joystick operator will be spring return in all other positions.

Maintained Positions				Suffix
Up	Down	Left	Right	Number
X	-	-	-	1
-	X	-	-	2
-	-	X	-	3
-	-	-	X	4
X	X	-	-	5
X	-	X	-	6
X	-	-	X	7
-	X	X	-	8
-	X	-	X	9
-	-	X	X	10
X	X	X	-	11
X	X	-	X	12
X	-	X	X	13
-	X	X	X	14
X	X	X	X	15

Automation and Control

30.5mm Legend Plates

Legend Plates are available in a wide variety. Aluminium legend plates come in two sizes for T-Range. Two blank stainless steel plates are also available. Plastic universal legend plates (shown far right) are designed for the E34 anti-corrosive range.



3

Stock Code S

Legend Plates	Cat. No.	Price \$ ex GST
Aluminium T-Range, large size, black unless marked "red"	TJ	9.18
Aluminium T-Range, medium size, black unless marked "red"	TM	5.08
Stainless steel T-Range, medium size, red, blank	TM36S	9.18
Stainless steel T-Range, medium size, black, blank	TM37S	9.18
Plastic E34 range universal size, black unless marked "red"	E34SP	5.29

Legend	T-Range Large Cat. No.	T-Range Medium Cat. No.	E34 Universal Cat. No.	Legend	T-Range Large Cat. No.	T-Range Medium Cat. No.	E34 Universal Cat. No.
Auto off hand	TJ49	TM49	E34SP49	Off(red)	TJ24	TM24	E34SP24
Blank	TJ36	TM36	TSP76	Off On	TJ42	TM42	E34SP42
Blank (red)	TJ37	TM37	TSP77	On	TJ25	TM25	E34SP25
Close	TJ11	TM11	E34SP73	Open	TJ26	TM26	E34SP26
Down	TJ12	TM12	E34SP74	Open Close	TJ43	TM43	E34SP43
Emergency Stop (red)	TJ13	TM13	E34SP13	Open Off Close	TJ53	TM53	E34SP53
Fast	TJ14	TM14	E34SP75	Out	TJ27	TM27	E34SP27
For Off Rev	TJ50	TM50	E34SP50	Power On	TJ80	TM80	E34SP80
For Rev	TJ38	TM38	E34SP38	Raise	TJ28	TM28	E34SP28
Forward	TJ15	TM15	E34SP15	Raise Lower	TJ76	TM76	-
Hand Auto	TJ39	TM39	E34SP39	Ready	TJ78	TM78	E34SP86
Hand Off Auto	TJ51	TM51	E34SP51	Reset	TJ29	TM29	E34SP29
High	TJ16	TM16	E34SP16	Reverse	TJ30	TM30	E34SP30
High Low	TJ40	TM40	E34SP40	Right	TJ79	TM79	-
I	TJ65	TM65	-	Run	TJ31	TM31	E34SP31
In	TJ17	TM17	E34SP17	Run Jog	TJ44	TM44	E34SP44
Inch	TJ18	TM18	E34SP18	Safe Run	TJ45	TM45	E34SP45
Inch For	TJ20	TM20	-	Seq. Test	TJ62	TM62	-
Inch Rev	TJ21	TM21	-	Slow	TJ32	TM32	E34SP32
Inch Run	TJ41	TM41	-	Slow Fast	TJ84	TM84	-
Inch Safe Run	TJ52	TM52	-	Slow Off Fast	TJ85	TM85	-
Jog	TJ19	TM19	E34SP19	Start	TJ33	TM33	E34SP33
Left	TJ73	TM73	-	Start Jog	TJ46	TM46	E34SP46
Left Right	TJ74	TM74	-	Start Stop	TJ47	TM47	E34SP47
Remote	TJ66	TM66	-	Stop(red)	TJ34	TM34	E34SP34
Local Remote	TJ63	TM63	-	Slower	TJ88	TM88	E34SP88
Low	TJ22	TM22	E34SP22	Supply On	TJ61	TM61	-
Lower	TJ23	TM23	E34SP23	Test	TJ83	TM83	E34SP83
Man Auto	TJ67	TM67	E34SP67	Up	TJ35	TM35	-
Man Off Auto	TJ68	TM68	E34SP68	Up Down	TJ48	TM48	E34SP48
Motor Run	TJ81	TM81	E34SP81	Up Off Down	TJ54	TM54	E34SP54
Motor Stop (red)	TM82	E34SP82	-	-	-	-	-
Emergency Stop (yellow) 70mm round			TRP79				

Automation and Control

30.5mm Pushbutton Accessories

Accessories

	Description		Cat No.	Stock Code	Price \$ ex GST
	Padlock attachment with hinged transparent cover, for flush or extended pushbuttons, and knob-operated selector switches		TA38	S	72.25
	Protective boot for flush pushbutton operators	Blue	TA46	S	19.87
		Black	TA47	S	19.87
		Red	TA48	S	19.87
		Green	TA49	S	19.87
		Yellow	TA50	S	19.87
	Protective boot for mushroom and palm pushbutton operators	Black	TA88	S	50.22
	Protective boot for extended pushbutton operators	Black	TA3	S	22.90
		Red	TA4	S	22.90
		Green	TA10	S	22.90
		Clear	TA85	S	24.19
	Protective boot for illuminated pushbuttons	Clear	TA25	S	22.90
	Guard sleeve for mushroom head operator. Chrome finish. Prevents accidental operation.(momentary operators only)		TA6	S	118.58
	Guard sleeve for jumbo palm operator. Prevents accidental operation. (momentary operators only)		TA56	S	106.42
	Guard sleeve for illuminated pushbutton Prevents accidental operation.		TA15	S	46.22
	Use to mechanically interlock two pushbuttons		TA1	S	35.64
Base Mounting Spacers	Spacers for base mounting contact blocks. Complete with screws and washers. 1 block deep.		TA22	S	11.77
Bulb Removal Tool	For BA9s and BA15d bulbs		TA65	S	40.61
Hole Plug	Plug for unused hole in cover. Light grey finish.		10250TA7	S	12.64
Hole Plug	Stainless steel		E30KT5	S	41.58
Spare Keys	2 spare keys for standard key selector switch.		TA152	S	12.85
Stacking Screws	Replacement screws		TA79	S	136.08
Hole Adaptor	Adapts a 30.5mm hole for use with a 22.5mm operator in a stainless steel or sheet metal enclosure		E22BA14	S	24.62
Earthing Ring	Earthing ring for use on devices without earthing screw		ME30KT8	S	11.77
Sealing Gasket	Sealing gasket for contact blocks.		10250TK4	S	12.85

Automation and Control

30.5mm Enclosures



Powering Business Worldwide



3

ENCLOSURES

Aluminium Alloy Enclosures - IP66

	Number of Holes	One Contact Block Depth	Stock Code	Price \$ ex GST	Two Contact Block Depth	Stock Code	Price \$ ex GST
T Series Enclosures	1	TN1	S	78.51	TN11	S	86.40
	2	TN2	S	128.52	TN12	S	131.76
	3	TN3	S	144.72	TN13	I	152.28
	4	TN4	I	278.64	TN14	I	308.88
	6	-			TN15	I	436.32
E34 Series Enclosures	1	E34N1	S	78.51	E34N11	S	86.40
	2	E34N2	S	128.52	E34N12	I	131.76
	3	E34N3	I	144.72	E34N13	I	152.28
	4	E34N4	I	278.64	E34N14	I	308.88

Note: Imperial conduit entry threads



Stainless Steel - IP67 (316 Stainless Steel)

Number of Holes	Cat No.	Stock Code	Price \$ ex GST
1	EP0130SS	S	390.96
2	EP0230SS	S	462.24
3	EP0330SS	S	542.16
4	EP0430SS	S	623.16
6	EP0630SS	I	679.32

Note: 2 x 25mm non-threaded conduit entry holes



Fibreglass Enclosures - IP66, 2 contact block deep

Number of Holes	Cat No.	Stock Code	Price \$ ex GST
1	TFG11	S	163.08
2	TFG12	S	194.40
3	TFG13	S	234.36

Automation and Control

Inductive Proximity Sensors



Eaton iProx Clone Sensor

- Replace thousands of sensors with the click of a button using the new iProx programming software for microsoft Windows or mobile devices
- Clone the iProx to match the characteristics of more than 4800 competitor models or custom configure the iProx to meet your specific application needs
- Advanced programmable features such as dual outputs, output delay, speed detection, adjustable sensing range and more.
- Reliably senses metal targets at up to three times the range of conventional shielded or unshielded inductive proximity sensors
- Field programmability reduces inventory and costly downtime
- Auto Configuration output allows for automatic detection of NPN or PNP
- New Remote Programming Device allows for mobile programming - no need to remove the sensor from its application
- New Tray Programmer allows for "one touch" programming and batch programming of up to four iProx sensors at a time
- Resistant to extreme temperature (-400C) and high pressure washdown
- Withstands high electrical noise (up to 20 V/m).

3

3-Wire sensors

Model selection	Operating voltage	Sensing range	Shielding	Connection type	Output type	Cat No	Stock	Price \$ ex GST
12 mm diameter end sensing	6 – 48V DC	4 mm std range	shielded	Plug-In*	NO Default Setting	E59-M12A105D01-D1 #	I	273.08
	6 – 48V DC	4 mm std range	shielded	Plug-In*	NC Default Setting	E59-M12A105D01-D2	I	273.08
	6 – 48V DC	10 mm ext range	unshielded	Plug-In*	NO Default Setting	E59-M12C110D01-D1 #	S	273.08
	6 – 48V DC	10 mm ext range	unshielded	Plug-In*	NC Default Setting	E59-M12C110D01-D2	S	273.08
18 mm diameter end sensing	6 – 48V DC	8 mm std range	shielded	Plug-In*	NO Default Setting	E59-M18A108D01-D1 #	I	309.47
	6 – 48V DC	8 mm std range	shielded	Plug-In*	NC Default Setting	E59-M18A108D01-D2	I	309.47
	6 – 48V DC	18 mm ext range	unshielded	Plug-In*	NO Default Setting	E59-M18C116D01-D1 #	S	309.47
	6 – 48V DC	18 mm ext range	unshielded	Plug-In*	NC Default Setting	E59-M18C116D01-D2	S	309.47
30 mm diameter end sensing	6 – 48V DC	15 mm std range	shielded	Plug-In*	NO Default Setting	E59-M30A115D01-D1 #	I	345.87
	6 – 48V DC	15 mm std range	shielded	Plug-In*	NC Default Setting	E59-M30A115D01-D2	I	345.87
	6 – 48V DC	29 mm ext range	unshielded	Plug-In*	NO Default Setting	E59-M30C129D01-D1 #	S	345.87
	6 – 48V DC	29 mm ext range	unshielded	Plug-In*	NC Default Setting	E59-M30C129D01-D2	S	345.87

* Order connector cable CSDS4A4CY2202 listed below for use with the above plug-in sensors

Dual outputs available on these models. Specify dual PNP or NPN by adding PP or NN to the end of the Cat No. when asking for a quote

Accessories

Description	Cat No	Stock Code	Price \$ ex GST
4-pin 4-wire cable, 2 m long, with straight micro DC connector female	CSDS4A4CY2202	S	24.25
Programmer to program iProx sensors one-at-a-time(thru' serial port on PC)	E59RP1	S	200.29
Step-by-step programming software (compatible with Windows mobile devices)	E59SW1	S	54.65
Remote Programming Device (PDA) for portable programming c/w software & cables	E59RPD	I	2,123.44
Tray Programmer - programs up to 4 iProx Clone sensors at a time	E59TP1	I	1,814.08
Field-applied iProx labels for iProx Clone sensors (100 pcs)	E59LABEL	S	66.80

Automation and Control

Inductive Proximity Sensors

NEW



Eaton AccuProx Analogue Sensor

- Unmatched sensing range, linearity and resolution
- Outputs available in current (4-20mA/0-20mA) & voltage(0-10V)
- Stainless steel barrel, ideal for high temperature or washdown environments
- Detecting different metals, eccentricity or absolute angle detection
- Available in 12, 18 & 30 mm diameter tubular
- 10-30V DC supply, shielded or unshielded type
- 2-meter prewired cable or plug-in connector type
- Provide electrical signal that varies in proportion to the position of metal target

3-Wire sensors

Model selection	Operating voltage	Sensing range	Shielding	Connection type	Cat No	Stock Code	Price \$ ex GST
12mm diameter	15 – 30V DC	0.5 - 4 mm	Shielded	Plug-in*	E59-A12A104D01-CV	I	210.60
		1 - 8 mm	Unshielded	Plug-in*	E59-A12C108D01-CV	S	210.60
18mm diameter	15 – 30V DC	1 - 7 mm	Shielded	Plug-in*	E59-A18A107D01-CV	I	232.20
		1 - 15 mm	Unshielded	Plug-in*	E59-A18C115D01-CV	S	232.20
30mm diameter	15 – 30V DC	1 - 12 mm	Shielded	Plug-in*	E59-A30A112D01-CV	I	264.60
		1 - 25 mm	Unshielded	Plug-in*	E59-A30C125D01-CV	S	264.60

* Order connector cable CSDS4A4CY2202 listed below for use with the above plug-in sensors



Eaton SpeedSense Inductive Proximity Sensors

- Built-in speed detection technology activates the sensor when the target's rotational or lateral speed slows (output "closes" when motion stops)
- Outputs are N.O. by default, but N.C. models can be special ordered from the factory
- Reliably detects metal targets at up to three times range of conventional inductive proximity sensors
- No special programming necessary
- Auto-configure output allows for automatic NPN or PNP
- Resistant to extreme temperature (-40°C) and high pressure washdown
- High electrical noise immunity of 10 V/m

Model selection	Sensing range	Shielding	Maximum Rated Target Speed *	Activation Point *	Cat No	Stock	Price \$ ex GST
12mm dia	4 mm	Shielded	2175 rpm, 275 ms	50 rpm or 1200 ms	E59-M12A105D01-D1S1	I	175.00
				100 rpm or 600 ms	E59-M12A105D01-D1S2	I	175.00
				500 rpm or 120 ms	E59-M12A105D01-D1S3	S	175.00
				1500 rpm or 40 ms	E59-M12A105D01-D1S4	S	175.00
10 mm	Unshielded	1125 rpm, 53 ms	50 rpm or 1200 ms	E59-M12C110D01-D1S1	I	185.00	
			100 rpm or 600 ms	E59-M12C110D01-D1S2	I	185.00	
			500 rpm or 120 ms	E59-M12C110D01-D1S3	S	185.00	
18mm dia	8 mm	Shielded	1460 rpm, 41 ms	50 rpm or 1200 ms	E59-M18A108D01-D1S1	I	195.00
				100 rpm or 600 ms	E59-M18A108D01-D1S2	I	195.00
				500 rpm or 120 ms	E59-M18A108D01-D1S3	S	195.00
30mm dia	15 mm	Shielded	900 rpm, 66 ms	50 rpm or 1200 ms	E59-M30A115D01-D1S1	I	225.00
				100 rpm or 600 ms	E59-M30A115D01-D1S2	I	225.00
				500 rpm or 120 ms	E59-M30A115D01-D1S3	S	225.00

* Sensor will not perform reliably if (a) target speed rotation exceeds the max rated rpm or (b) the time between target detections is less than the rated milliseconds.

* The sensor will activate when (a) target rotation drops below the rated rpm, or (b) when the time between two target detections exceeds the milliseconds indicated.

* Order connector cable CSDS4A4CY2202 listed below for use with all the above plug-in sensors

Description	Cat No	Stock Code	Price \$ ex GST
4-pin 4-wire cable, 2m long, with straight micro DC connector female	CSDS4A4CY2202	S	21.40

Automation and Control

Inductive Proximity Sensors



Eaton Global Plus Inductive Proximity Sensors

- The Global Plus Proximity Line features solid performance & a basic feature set for reliable, cost-effective sensing
- Available in a variety of sizes to fit in all of your applications: 8 mm, 12 mm, 18 mm and 30 mm diameters
- DC sensors operate on 10 – 30V DC in 2-wire and 3-wire (NPN or PNP) configurations
- AC sensors operate on 20 – 250V AC in 2-wire configuration
- Shielded and unshielded versions available
- Terminations include 2-metre cable and plug-in connector
- Bright output LED indicator to show output status
- Optimal solution for high volume OEM customers

2-Wire sensors

Model selection	Operating voltage	Sensing range	Shielding	Connection type	Output type	Cat No	Stock Code	Price \$ ex GST
12 mm diameter	20 – 250V AC	2 mm	Shielded	2-metre Cable	N.O.	E57-12PAS02-A	S	86.40
	20 – 250V AC	2 mm	Shielded	2-metre Cable	N.C.	E57-12PBS02-A	I	86.40
	20 – 250V AC	4 mm	Unshielded	2-metre Cable	N.O.	E57-12PAU04-A	S	86.40
	20 – 250V AC	4 mm	Unshielded	2-metre Cable	N.C.	E57-12PBU04-A	I	86.40
18 mm diameter	20 – 250V AC	5 mm	Shielded	2-metre Cable	N.O.	E57-18PAS05-A	S	97.20
	20 – 250V AC	5 mm	Shielded	2-metre Cable	N.C.	E57-18PBS05-A	I	97.20
	20 – 250V AC	8 mm	Unshielded	2-metre Cable	N.O.	E57-18PAU08-A	S	97.20
	20 – 250V AC	8 mm	Unshielded	2-metre Cable	N.C.	E57-18PBU08-A	I	97.20
30 mm diameter	20 – 250V AC	10 mm	Shielded	2-metre Cable	N.O.	E57-30PAS10-A	S	129.60
	20 – 250V AC	10 mm	Shielded	2-metre Cable	N.C.	E57-30PBS10-A	I	129.60
	20 – 250V AC	15 mm	Unshielded	2-metre Cable	N.O.	E57-30PAU15-A	S	129.60
	20 – 250V AC	15 mm	Unshielded	2-metre Cable	N.C.	E57-30PBU15-A	I	129.60

3-Wire sensors

Model selection	Operating voltage	Sensing range	Shielding	Connection type	Output type	Cat No	Stock Code	Price \$ ex GST
8 mm diameter	10 – 30V DC	1.5 mm	Shielded	2-metre Cable	N.O.(NPN)	E57-08PAS15-C	I	54.00
	10 – 30V DC	1.5 mm	Shielded	2-metre Cable	N.O.(PNP)	E57-08PAS15-G	S	54.00
	10 – 30V DC	2 mm	Unshielded	2-metre Cable	N.O.(NPN)	E57-08PAU02-C	I	54.00
	10 – 30V DC	2 mm	Unshielded	2-metre Cable	N.O.(PNP)	E57-08PAU02-G	S	54.00
12 mm diameter	10 – 30V DC	2 mm	Shielded	2-metre Cable	N.O.(NPN)	E57-12PAS02-C	I	59.40
	10 – 30V DC	2 mm	Shielded	2-metre Cable	N.O.(PNP)	E57-12PAS02-G	S	59.40
	10 – 30V DC	4 mm	Unshielded	2-metre Cable	N.O.(NPN)	E57-12PAU04-C	I	59.40
	10 – 30V DC	4 mm	Unshielded	2-metre Cable	N.O.(PNP)	E57-12PAU04-G	S	59.40
18 mm diameter	10 – 30V DC	5 mm	Shielded	2-metre Cable	N.O.(NPN)	E57-18PAS05-C	I	70.20
	10 – 30V DC	5 mm	Shielded	2-metre Cable	N.O.(PNP)	E57-18PAS05-G	S	70.20
	10 – 30V DC	8 mm	Unshielded	2-metre Cable	N.O.(NPN)	E57-18PAU08-C	I	70.20
	10 – 30V DC	8 mm	Unshielded	2-metre Cable	N.O.(PNP)	E57-18PAU08-G	S	70.20
30 mm diameter	10 – 30V DC	10 mm	Shielded	2-metre Cable	N.O.(NPN)	E57-30PAS10-C	I	97.20
	10 – 30V DC	10 mm	Shielded	2-metre Cable	N.O.(PNP)	E57-30PAS10-G	S	97.20
	10 – 30V DC	15 mm	Unshielded	2-metre Cable	N.O.(NPN)	E57-30PAU15-C	I	97.20
	10 – 30V DC	15 mm	Unshielded	2-metre Cable	N.O.(PNP)	E57-30PAU15-G	S	97.20

Eaton E57 Premium+ and Premium Series Inductive Proximity Sensors



- Premium+ are designed with stainless steel barrel and new potting compound for robust, high temperature, high pressure washdown, as well as intense shock and vibration applications
- Premium+ has unmatched high noise immunity eliminates problems associated with electrical noise (all models > 20V/metre)
- Premium+ has 360° output status indicator is visible from any angle and in any light condition
- Wide temperature range -13 to 158°F (-25 to 70°C)
- New expanded offering of 2-wire, 3-wire, AC, DC, and AC/DC multiple range sensor models
- Connector models available on request, connector cables are on page
- For cable lengths longer than 2 metres, add the number of the desired length in meters to the end of the listed catalogue no.

3

2-Wire sensors

Model selection	Operating voltage	Sensing range	Shielding	Connection type	Cat No N/O output	Cat No N/C output	Stock Code	Price \$ ex GST
12 mm diameter end sensing	20-250VAC	2 mm std range	shielded	2-metre cable	E57LAL12A2	E57LBL12A2	I	175.93
	20-250VAC	4 mm std range	unshielded	2-metre cable	E57LAL12A2E	E57LBL12A2E	S	224.48
	20-250VAC	6 mm ext range	semi-shielded	2-metre cable	E57-12LE06-A	E57-12LE06-A1	I	273.02
	20-250VAC	10 mm ext range	non-embeddable	2-metre cable	E57-12LE10-A	E57-12LE10-A1	S	358.02
	20-250VAC/DC	2 mm std range	shielded	2-metre cable	E57SAL12A2	E57SBL12A2	I	303.37
	20-250VAC/DC	4 mm std range	unshielded	2-metre cable	E57SAL12A2E	E57SBL12A2E	S	303.37
18 mm diameter end sensing	20-250VAC	5 mm std range	shielded	2-metre cable	E57LAL18A2	E57LBL18A2	I	188.08
	20-250VAC	8 mm std range	unshielded	2-metre cable	E57LAL18A2E	E57LBL18A2E	S	236.63
	20-250VAC	12 mm ext range	semi-shielded	2-metre cable	E57-18LE12-A	E57-18LE12-A1	I	351.11
	20-250VAC	20 mm ext range	non-embeddable	2-metre cable	E57-18LE20-A	E57-18LE20-A1	S	424.55
	20-250VAC/DC	5 mm std range	shielded	2-metre cable	E57SAL18A2	E57SBL18A2	I	25753
	20-250VAC/DC	8 mm std range	unshielded	2-metre cable	E57SAL18A2E	E57SBL18A2E	S	25753
30 mm diameter end sensing	20-250VAC	10 mm std range	shielded	2-metre cable	E57LAL30A2	E57LBL30A2	I	200.23
	20-250VAC	15 mm std range	unshielded	2-metre cable	E57LAL30A2E	E57LBL30A2E	S	248.72
	20-250VAC	22 mm ext range	semi-shielded	2-metre cable	E57-30LE22-A	E57-30LE22-A1	I	394.36
	20-250VAC/DC	10 mm std range	shielded	2-metre cable	E57SAL30A2	E57SBL30A2	I	333.67
	20-250VAC/DC	15 mm std range	unshielded	2-metre cable	E57SAL30A2E	E57SBL30A2E	S	333.67

Automation and Control

Inductive Proximity Sensors

3-Wire sensors

Model selection	Operating voltage	Sensing range	Shielding	Connection type	Cat No N/O output	Cat No N/C output	Stock Code	Price \$ ex GST
12 mm diameter end sensing	6-48VDC	2 mm std range	shielded (NPN)	2-metre cable	E57LAL12T110	E57LBL12T110	I	188.08
	6-48VDC	2 mm std range	shielded (PNP)	2-metre cable	E57LAL12T111	E57LBL12T111	I	188.08
	6-48VDC	4 mm std range	unshielded (NPN)	2-metre cable	E57LAL12T110E	E57LBL12T110E	S	212.38
	6-48VDC	4 mm std range	unshielded (PNP)	2-metre cable	E57LAL12T111E	E57LBL12T111E	S	212.38
	6-48VDC	6 mm ext range	semi-shielded (NPN)	2-metre cable	E57-12LE06-C	E57-12LE06-C1	I	303.37
	6-48VDC	6 mm ext range	semi-shielded (PNP)	2-metre cable	E57-12LE06-B	E57-12LE06-B1	I	303.37
	6-48VDC	10 mm ext range	non-embeddable (NPN)	2-metre cable	E57-12LE10-C	-	I	273.02
	6-48VDC	10 mm ext range	non-embeddable (PNP)	2-metre cable	E57-12LE10-B	E57-12LE10-B1	S	273.02
18 mm diameter end sensing	6-48VDC	5 mm std range	shielded (NPN)	2-metre cable	E57LAL18T110	E57LBL18T110	I	200.23
	6-48VDC	5 mm std range	shielded (PNP)	2-metre cable	E57LAL18T111	E57LBL18T111	I	200.23
	6-48VDC	8 mm std range	unshielded (NPN)	2-metre cable	E57LAL18T110E	E57LBL18T110E	S	224.48
	6-48VDC	8 mm std range	unshielded (PNP)	2-metre cable	E57LAL18T111E	E57LBL18T111E	S	224.48
	6-48VDC	12 mm ext range	semi-shielded (NPN)	2-metre cable	E57-18LE12-C	E57-18LE12-C1	I	303.37
	6-48VDC	12 mm ext range	semi-shielded (PNP)	2-metre cable	E57-18LE12-B	E57-18LE12-B1	I	303.37
	6-48VDC	20 mm ext range	non-embeddable (NPN)	2-metre cable	E57-18LE20-C	E57-18LE20-C1	I	273.02
	6-48VDC	20 mm ext range	non-embeddable (PNP)	2-metre cable	E57-18LE20-B	E57-18LE20-B1	S	273.02
30 mm diameter end sensing	6-48VDC	10 mm std range	shielded (NPN)	2-metre cable	E57LAL30T110	E57LBL30T110	S	212.33
	6-48VDC	10 mm std range	shielded (PNP)	2-metre cable	E57LAL30T111	E57LBL30T111	I	212.33
	6-48VDC	15 mm std range	unshielded (NPN)	2-metre cable	E57LAL30T110E	E57LBL30T110E	S	35797
	6-48VDC	15 mm std range	unshielded (PNP)	2-metre cable	E57LAL30T111E	E57LBL30T111E	S	35797
	6-48VDC	22 mm ext range	semi-shielded (NPN)	2-metre cable	E57-30LE22-C	E57-30LE22-C1	I	303.37
	6-48VDC	22 mm ext range	semi-shielded (PNP)	2-metre cable	E57-30LE22-B	E57-30LE22-B1	I	303.37

3

Accessory	Cat. No.	Stock Code	Price \$ ex GST
8mm mounting bracket	E57KM8	I	8.26
12mm mounting bracket	E57KM12	I	8.26
18mm mounting bracket	E57KM18	I	8.26
30mm mounting bracket	E57KM30	I	18.25

* For Plug-in cables, refer to page 3-55

Automation and Control

Inductive Proximity Sensors

Eaton Premium + Series Short Barrel Inductive Proximity Sensors



- Manufactured to take physical and environmental abuse
- Premium+ are designed with stainless steel barrel and impact-absorbing new potting compound for robust, high temperature, high pressure washdown, as well as intense shock and vibration applications
- Premium+ unmatched high noise immunity eliminates problems associated with electrical noise (all models > 20V/metre)
- Premium+ 360° output status indicator is visible from any angle and in any light condition
- Resettable short circuit protection in AC/DC and DC models
- Reverse polarity protection in 3-wire DC versions
- Small size to fit in tight spaces
- Choice of cable for low cost wiring, or micro-connector for quick installation or replacement
- Cable models include an extra long 5-metre cable as standard

3

2-Wire sensors

Model selection	Operating voltage	Sensing range	Shielding	Overall Length	Connection type	Cat No N/O output	Cat No N/C output	Stock Code	Price \$ ex GST
12 mm diameter end sensing	20 – 250V AC	2 mm	Shielded	51.7	2-metre Cable	E57SAL12A4	E57SBL12A4	I	163.89
	20 – 250V AC	4 mm	Unshielded	51.7	2-metre Cable	E57SAL12A4E	E57SBL12A4E	I	163.89
	20 – 250V AC/DC	2 mm	Shielded	62.4	2-metre Cable	E57SAL12A2	E57SBL12A2	I	25753
18 mm diameter end sensing	20 – 250V AC/DC	4 mm	Unshielded	62.4	2-metre Cable	E57SAL12A2E	E57SBL12A2E	S	25753
	20 – 250V AC	5 mm	Shielded	35.4	2-metre Cable	E57SAL18A4	E57SBL18A4	I	163.89
	20 – 250V AC	8 mm	Unshielded	35.4	2-metre Cable	E57SAL18A4E	-	I	163.89
30 mm diameter end sensing	20 – 250V AC/DC	5 mm	Shielded	64.5	2-metre Cable	E57SAL18A2	E57SBL18A2	I	25753
	20 – 250V AC/DC	8 mm	Unshielded	64.5	2-metre Cable	E57SAL18A2E	E57SBL18A2E	S	25753
	20 – 250V AC	10 mm	Shielded	40.2	2-metre Cable	E57SAL30A4	-	I	163.89
30 mm diameter end sensing	20 – 250V AC	15 mm	Unshielded	44.9	2-metre Cable	E57SAL30A4E	-	I	163.89
	20 – 250V AC/DC	10 mm	Shielded	69.3	2-metre Cable	E57SAL30A2	E57SBL30A2	I	25753
	20 – 250V AC/DC	15 mm	Unshielded	69.3	2-metre Cable	E57SAL30A2E	E57SBL30A2E	S	25753

3-Wire sensors

Model selection	Operating voltage	Sensing range	Shielding	Overall Length	Connection type	Cat No N/O output	Cat No N/C output	Stock Code	Price \$ ex GST
12 mm diameter end sensing	6 – 48V DC	2 mm	Shielded (NPN)	35.2	2-metre Cable	E57SAL12T110	-	I	236.68
	6 – 48V DC	2 mm	Shielded (PNP)	35.2	2-metre Cable	E57SAL12T111	E57SBLT111	I	236.68
	6 – 48V DC	4 mm	Unshielded (NPN)	35.2	2-metre Cable	E57SAL12T110E	E57SBL12T110E	I	236.68
	6 – 48V DC	4 mm	Unshielded (PNP)	35.2	2-metre Cable	E57SAL12T111E	E57SBL12T111E	S	236.68
18 mm diameter end sensing	6 – 48V DC	5 mm	Shielded (NPN)	35.4	2-metre Cable	E57SAL18T110	E57SBL18T110	I	248.78
	6 – 48V DC	5 mm	Shielded (PNP)	35.4	2-metre Cable	E57SAL18T111	E57SBL18T111	I	248.78
	6 – 48V DC	8 mm	Unshielded (NPN)	35.4	2-metre Cable	E57SAL18T110E	E57SBL18T110E	I	248.78
	6 – 48V DC	8 mm	Unshielded (PNP)	35.4	2-metre Cable	E57SAL18T111E	E57SBL18T111E	S	248.78
30 mm diameter end sensing	6 – 48V DC	10 mm	Shielded (NPN)	40.2	2-metre Cable	E57SAL30T110	-	I	29733
	6 – 48V DC	10 mm	Shielded (PNP)	40.2	2-metre Cable	E57SAL30T111	E57SBL30T111	I	29733
	6 – 48V DC	15 mm	Unshielded (NPN)	44.9	2-metre Cable	E57SAL30T110E	E57SBL30T110E	I	29733
	6 – 48V DC	15 mm	Unshielded (PNP)	44.9	2-metre Cable	E57SAL30T111E	-	S	29733

Automation and Control

Inductive Proximity Sensors

Eaton High Current Output Inductive Proximity Sensors



- Solid-state output can handle up to 12A continuous
- Ideal for vehicle use to replace mechanical limit switches, typically required to handle high currents
- Wide voltage and temperature range covers most vehicle power supplies and operating environments
- Normally Open and Normally Closed isolated outputs
- SJO cable is available in custom lengths

4-Wire sensors

Model selection	Operating voltage	Sensing range	Shielding	Connection type	Output type	Cat No	Output Rating Continuous < 100 mS Pulse	Stock	Price \$ ex GST
30 mm diameter end sensing	10 – 55V DC	10 mm	Shielded	2-Metre Cable	N.O. and N.C. (PNP)	E57-30JS10-H	3.5A 20A	S	375.95

6-Wire sensors

Model selection	Operating voltage	Sensing range	Shielding	Connection type	Output type	Cat No	Output Rating Continuous < 100 mS Pulse	Stock	Price \$ ex GST
30 mm diameter end sensing	10 – 30V DC	10 mm	Shielded	2-Metre Cable	N.O. and N.O., or N.C. and N.C. (NPN or PNP)	E57-30HS10-K	8A 50A	S	424.71

For additional cable length other than 2-metre, add desired length in metres to listed Catalogue Number.

Example: For an E57-30JS10-H with a 5-metre cable, order E57-30JS10-H5.

Eaton Small Diameter Inductive Proximity Sensors

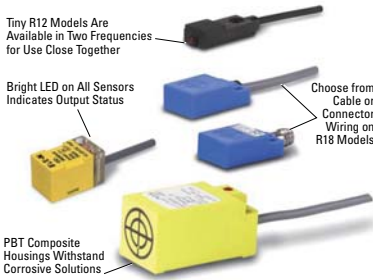


- Small 4, 5, 6.5 and 8 mm diameters for use in applications with limited space for mounting sensors
- Stainless steel housings
- All models include an LED indicator to show output status
- Short circuit and reverse polarity protection
- Rated NEMA 4, 4X, 6, 6P, 12 and 13 (IP67) for high resistance to environmental factors

3-Wire sensors

Model selection	Operating voltage	Sensing range	Shielding	Connection type	Cat No N/O output	Cat No N/C output	Stock	Price \$ ex GST
4 mm Diameter (Unthreaded)	10 – 30V DC	0.8 mm	Shielded (NPN)	2-metre Cable	E57EAL4T110SP	—	I	115.34
	10 – 30V DC	0.8 mm	Shielded (PNP)	2-metre Cable	E57EAL4T111SP	—	S	115.34
5 mm Diameter	10 – 30V DC	0.8 mm	Shielded (NPN)	2-metre Cable	E57EAL5T110SP	—	I	139.59
	10 – 30V DC	0.8 mm	Shielded (PNP)	2-metre Cable	E57EAL5T111SP	—	S	139.59
6.5 mm Diameter (Unthreaded)	10 – 30V DC	1 mm	Shielded (NPN)	2-metre Cable	E57EAL6T110SP	—	I	91.04
	10 – 30V DC	1 mm	Shielded (PNP)	2-metre Cable	E57EAL6T111SP	—	I	91.04
	10 – 30V DC	2 mm	Unshielded (NPN)	2-metre Cable	E57EAL6T110EP	—	I	103.19
	10 – 30V DC	2 mm	Unshielded (PNP)	2-metre Cable	E57EAL6T111EP	—	S	103.19
8 mm Diameter	10 – 30V DC	1 mm	Shielded (NPN)	2-metre Cable	E57EAL8T110SP	E57EAL8T110SP	I	99.36
	10 – 30V DC	1 mm	Shielded (PNP)	2-metre Cable	E57EAL8T111SP	E57EAL8T111SP	I	99.36
	10 – 30V DC	2 mm	Unshielded (NPN)	2-metre Cable	E57EAL8T110EP	E57EAL8T110EP	I	115.34
	10 – 30V DC	2 mm	Unshielded (PNP)	2-metre Cable	E57EAL8T111EP	E57EAL8T111EP	S	115.34

3



Eaton E52 Rectangular Inductive Proximity Sensors

- Small, low-profile design for use in space restrictive applications
- 3-wire DC operation
- Sensitivity adjustment
- Choose from a variety of sizes, and side or end sensing configuration
- Output indicator included on all models
- Epoxy filled cavities stops fluids from containing any electrical component
- Convenient mounting holes integrated into each sensor housing

3

3 - Wire sensors

Model selection	Operating voltage	Sensing range	Shielding	Connection type	Cat No N/O output	Stock Code	Price \$ ex GST
R12 Side Sensing	12 – 24V DC	3 mm	Shielded (PNP)	1-metre cable	E52RAL12T111	S	102.60
Q16 End Sensing	12 – 30V DC	5 mm	Shielded (PNP)	2-metre cable	E52-16QS04-B	I	102.60
R18 Side Sensing	10 – 30V DC	4 mm	Unshielded (PNP)	2-metre cable	E52-18RU04-B	I	113.40
Q25 End Sensing	10 – 30V DC	10 mm	Shielded (PNP)	2-metre cable	E52-25QS10-B	S	181.01

Discount Schedule C11



Rhombberg Proximity Switches - Inductive

- Inductive (Metal) Sensing
- Black Cap, Cables and LED Colour Coded For Type
- Moulded 2m Colour Coded Cable with Fishtail - Rated To IP67
- Normally Open (NO) Has Red LED, Normally Closed (NC) Has Green LED
- Interchangeable with Other Makes

Rhombberg Inductive Prox 2 Wire AC

- 20-250Vac, 50/60Hz
- Series and parallel connection compatible
- 400mA Max Load Current

Product Description	Cat. No.	Stock Code	Price \$ ex GST
M12 Dia 2mm Sensing Distance Shielded AC 2 Wire	RI11202F**	S	181.01
M12 Dia 4mm Sensing Distance Unshielded AC 2 Wire	RI11204S**	S	181.01
M18 Dia 5mm Sensing Distance Shielded AC 2 Wire	RI11805F**	S	186.08
M18 Dia 8mm Sensing Distance Unshielded AC 2 Wire	RI11808S**	S	186.08
M30 Dia 10mm Sensing Distance Shielded AC 2 Wire	RI13010F**	S	205.47
M30 Dia 15mm Sensing Distance Unshielded AC 2 Wire	RI13015S**	S	205.47
M40 Dia 20mm Sensing Distance Shielded AC 2 Wire	RI14020F**	S	225.23
M40 Dia 25mm Sensing Distance Unshielded AC 2 Wire	RI14025S**	S	225.23
6M Lead, for plug-in sensor, straight type.	RK44T6	S	63.72
6M Lead, for plug-in sensor, right angle type.	RK44T6W	S	63.72

** Specify NO or NC

Note: Add "MTP" for sensors with plug instead of 2m standard cable & request pricing.

Automation and Control

Inductive Proximity Sensors



Rhomberg Inductive Prox 3 or 4 Wire PNP & NPN DC

- PNP - 3 or 4 Wire Yellow Cable, NPN - 3 or 4 Wire Green Cable
- 10-60Vdc
- Reverse Polarity & Short Circuit Protected
- 400mA Max Load Current

Product Description	Cat. No.	Stock Code	Price \$ ex GST
M12 Dia 2mm Sensing Distance Shielded 3 Wire	RI*1202F**	I	142.07
M12 Dia 4mm Sensing Distance Unshielded 3 Wire	RI*1204S**	S	142.07
M18 Dia 5mm Sensing Distance Shielded 3 Wire	RI*1805F**	S	146.66
M18 Dia 5mm Sensing Distance Shielded 4 Wire	RI*1805FNX	S	166.37
M18 Dia 8mm Sensing Distance Unshielded 3 Wire	RI*1808S**	S	146.66
M18 Dia 8mm Sensing Distance Unshielded 4 Wire	RI*1808SNX	S	166.37
M30 Dia 10mm Sensing Distance Shielded 3 Wire	RI*3010F**	I	166.37
M30 Dia 10mm Sensing Distance Shielded 4 Wire	RI*3010FNX	I	186.19
M30 Dia 15mm Sensing Distance Unshielded 3 Wire	RI*3015S**	S	166.37
M30 Dia 15mm Sensing Distance Unshielded 4 Wire	RI*3015SNX	I	186.19
M40 Dia 20mm Sensing Distance Shielded 3 Wire	RI*4020F**	S	186.19
M40 Dia 20mm Sensing Distance Shielded 4 Wire	RI*4020FNX	S	210.49
M40 Dia 25mm Sensing Distance Unshielded 3 Wire	RI*4025S**	I	186.19
M40 Dia 25mm Sensing Distance Unshielded 4 Wire	RI*4025SNX	I	210.49
6M Lead, for plug-in sensor, straight type.	RK44T6	S	63.72
6M Lead, for plug-in sensor, right angle type.	RK44T6W	S	63.72

* Specify 4 for PNP or 5 for NPN

** Specify NO or NC

NX = 4 wire NO & NC

Note: Add "MTP" for sensors with plug instead of 2m standard cable & request pricing



Rhomberg Inductive Prox NAMUR 2 Wire

- 2 Wire (Blue Cable)
- Designed To DIN 19234
- Interfaces with Rhomberg SC320 or SC300 Relay

Product Description	Cat. No.	Stock Code	Price \$ ex GST
M12 Dia 2mm Sensing Distance Shielded	RI01202FNC	I	82.46
M12 Dia 4mm Sensing Distance Unshielded	RI01204SNC	S	82.46
M18 Dia 5mm Sensing Distance Shielded	RI01805FNC	S	86.89
M18 Dia 8mm Sensing Distance Unshielded	RI01808SNC	S	86.89
M30 Dia 10mm Sensing Distance Shielded	RI03010FNC	I	95.04
M30 Dia 15mm Sensing Distance Unshielded	RI03015SNC	S	95.04
M40 Dia 20mm Sensing Distance Shielded	RI04020FNC	S	111.13
M40 Dia 25mm Sensing Distance Unshielded	RI04025SNC	I	111.13
Switching Amplifier/Relay For NAMUR Sensors Plug In	SC300/*-SP	I	170.10
Control Relay For Rhomberg Photo Electric Sensors Plug In	SC410/*-SP	I	170.10
11 Pin DIN Rail Base	S3B	S	16.74

* Specify voltage: 12, 24Vdc and 24, 110, 240, 415Vac

Note Add "-MTP" for sensors with plug instead of cable and request pricing

3

Automation and Control

Inductive and Capacitive Proximity Sensors



Rhomberg Inductive Prox Can-Line

- Plastic Rectangular Body
- DC PNP, NPN or NAMUR
- Can-Line Sensors

3

Product Description	Cat. No.	Stock Code	Price \$ ex GST
40 X 26 X 12mm 2mm Sensing Distance	RI02602FNCPBC	I	58.86
40 X 26 X 12mm 4mm Sensing Distance	RI02604SNCPBC	I	58.86
40 X 26 X 12mm 2mm Sensing Distance	RI04002FNCPBC	I	58.86
40 X 26 X 12mm 4mm Sensing Distance	RI04004SNCPBC	I	58.86
40 X 26 X 12mm 2mm Sensing Distance	RI*2602F**PBC	I	58.86
40 X 26 X 12mm 4mm Sensing Distance	RI*2604S**PBC	I	58.86
40 X 26 X 12mm 2mm Sensing Distance	RI*4002F**PBC	I	58.86
40 X 26 X 12mm 4mm Sensing Distance	RI*4004S**PBC	I	58.86
130 X 35 X 35mm 20mm Sensing Distance	RI*9020FNOPBC	I	794.61

* Specify 4 for PNP or 5 for NPN

** Specify NO or NC

Discount Schedule B57



Eaton E53 Threaded Body Capacitive Proximity Sensors

- Detect liquids, powders and other materials that are difficult or impossible with other sensor types
- Plastic body is corrosion resistant
- Sensitivity adjustment
- Output indicator LED

2-Wire sensors

Model selection	Operating voltage	Sensing range	Shielding	Connection type	Cat No N/O output	Cat No N/C output	Stock Code	Price \$ ex GST
18 mm diameter	20 – 250V AC	8 mm	Shielded	2-metre Cable	E53KAL18A2	E53KBL18A2	S	263.79
end sensing	20 – 250V AC	15 mm	Unshielded	2-metre Cable	E53KAL18A2E	E53KBL18A2E	S	263.79
30 mm diameter	20 – 250V AC	20 mm	Shielded	2-metre Cable	E53KAL30A2	E53KBL30A2	S	267.08
end sensing	20 – 250V AC	25 mm	Unshielded	2-metre Cable	E53KAL30A2E	E53KBL30A2E	S	267.08

3-Wire sensors

Model selection	Operating voltage	Sensing range	Shielding	Connection type	Cat No N/O output	Cat No N/C output	Stock Code	Price \$ ex GST
18 mm diameter	10 – 35V DC	8 mm	Shielded (NPN)	2-metre Cable	E53KAL18T110	E53KBL18T110	I	263.79
end sensing	10 – 35V DC	8 mm	Shielded (PNP)	2-metre Cable	E53KAL18T111	E53KBL18T111	S	263.79
	10 – 35V DC	15 mm	Unshielded (NPN)	2-metre Cable	E53KAL18T110E	E53KBL18T110E	I	263.79
	10 – 35V DC	15 mm	Unshielded (PNP)	2-metre Cable	E53KAL18T111E	E53KBL18T111E	S	263.79
30 mm diameter	10 – 35V DC	20 mm	Shielded (NPN)	2-metre Cable	E53KAL30T110	E53KBL30T110	I	267.08
end sensing	10 – 35V DC	20 mm	Shielded (PNP)	2-metre Cable	E53KAL30T111	E53KBL30T111	S	267.08
	10 – 35V DC	25 mm	Unshielded (NPN)	2-metre Cable	E53KAL30T110E	E53KBL30T110E	I	267.08
	10 – 35V DC	25 mm	Unshielded (PNP)	2-metre Cable	E53KAL30T111E	E53KBL30T111E	S	267.08

Automation and Control

Capacitive Proximity Sensors



Rhomberg Proximity Switches - Capacitive

- Capacitive (Most Materials) Sensing
- Adjustable Sensitivity
- White Cap, Cables and LED Colour Coded For Type
- Moulded 2m Colour Coded Cable with Fishtail - Rated To IP67
- Normally Open (NO) Has Red LED, Normally Closed (Nc) Has Green LED
- Interchangeable with Other Makes

Rhomberg Capacitive Prox 2 Wire AC

- 20-250Vac, 50/60Hz
- Series and parallel connection compatible
- 400mA Max Load Current

Product Description	Cat. No.	Stock Code	Price \$ ex GST
M18 Dia 5mm Sensing Distance Shielded AC 2 wire	RC11805F**	I	183.92
M18 Dia 10mm Sensing Distance Unshielded AC 2 wire	RC11810S**	I	183.92
M30 Dia 10mm Sensing Distance Shielded AC 2 wire	RC13010F**	I	177.93
M30 Dia 20mm Sensing Distance Unshielded AC 2 wire	RC13020S**	S	177.93
6M Lead, for plug-in sensor, straight type.	RK44T6	S	63.72
6M Lead, for plug-in sensor, right angle type.	RK44T6W	S	63.72

** Specify NO or NC

Note: Add "MTP" for sensors with plug instead of 2m standard cable & request pricing



Rhomberg Capacitive Prox 3 Wire PNP & NPN DC

- PNP - 3 Wire Yellow Cable, NPN - 3 Wire Green Cable
- 10-60Vdc
- Reverse Polarity & Short Circuit Protected
- 400mA Max Load Current

Product Description	Cat. No.	Stock Code	Price \$ ex GST
M18 Dia 5mm Sensing Distance Shielded	RC*1805F**	I	183.92
M18 Dia 10mm Sensing Distance Unshielded	RC*1810S**	I	183.92
M30 Dia 10mm Sensing Distance Shielded	RC*3010F**	I	164.92
M30 Dia 20mm Sensing Distance Unshielded	RC*3020S**	S	164.92

* Specify 4 for PNP or 5 for NPN

** Specify NO or NC

Note: Add "MTP" for sensors with plug instead of 2m standard cable & request pricing

Automation and Control

Capacitive Proximity Sensors

Rhomberg Capacitive Prox NAMUR 2 Wire



- 2 Wire (Blue Cable)
- Designed To DIN 19234
- Interfaces with RSC320 or RSC300 Relay

3

Product Description	Cat. No.	Stock Code	Price \$ ex GST
M30 Dia 10mm Sensing Distance Shielded	RC03010FNC	I	117.72
M30 Dia 20mm Sensing Distance Unshielded	RC03020SNC	S	117.72
Switching Amplifier/Relay For NAMUR Sensors Plug In	SC300/*-SP	I	170.10
Control Relay For Rhomberg Photo Electric Sensors Plug In	SC410/*-SP	I	170.10
11 Pin DIN Rail Base	S3B	S	16.74

* Specify voltage: 12, 24Vdc and 24, 110, 240, 415Vac

Note Add "-MTP" for sensors with plug instead of 2m standard cable and request pricing

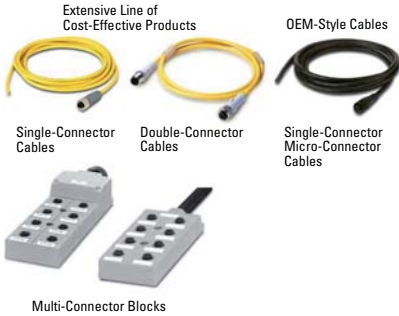
Rhomberg Capacitive Prox Plastic Body 1.5" BSP



Product Description	Cat. No.	Stock Code	Price \$ ex GST
1.5" BSP 20mm Sensing Distance NAMUR Type	RC04020SNCPBT	I	142.78
1.5" BSP 20mm Sensing Distance AC/DC Type N/O	RCE4020SNOPBT	I	242.78
1.5" BSP 20mm Sensing Distance AC/DC Type N/C	RCE4020SNCPBT	I	242.78
1.5" BSP 20mm Sensing Distance DC Type NO	RC44020SNOPBT	I	191.32
1.5" BSP 20mm Sensing Distance DC Type NC	RC44020SNCPBT	I	191.32
1.5" BSP 20mm Sensing Distance DC Type NO	RC54020SNOPBT	I	191.32
1.5" BSP 20mm Sensing Distance DC Type NC	RC54020SNCPBT	I	191.32

Automation and Control

Cables for Plug-In Proximity Sensors



Eaton Cable for Plug-In Sensors is available for AC and DC sensors. Cable comes complete with micro connector fitted.

3

AC Micro Connector Cable

Connector Type		Cable Length	Cat. No.	Stock Code	Price \$ ex GST
.35mm ²	3-pin straight female	2m	CSAS3F3CY2202	I	36.40
.35mm ²	3-pin straight female	5m	CSAS3F3CY2205	I	54.65
.35mm ²	3-pin straight female	10m	CSAS3F3CY2210	I	72.79
.35mm ²	3-pin 90°angle female	2m	CSAR3F3CY2202	I	36.40
.35mm ²	3-pin 90°angle female	5m	CSAR3F3CY2205	I	54.65
.35mm ²	3-pin 90°angle female	10m	CSAR3F3CY2210	I	72.79

DC Micro Connector Cable* (.35mm²)

Connector Type		Cable Length	Cat. No.	Stock Code	Price \$ ex GST
4-pin	3-wire straight female	2m	CSDS4A3CY2202	S	24.25
4-pin	3-wire straight female	5m	CSDS4A3CY2205	I	36.40
4-pin	3-wire straight female	10m	CSDS4A3CY2210	I	48.55
4-pin	4-wire straight female	2m	CSDS4A4CY2202	S	24.25
4-pin	4-wire straight female	5m	CSDS4A4CY2205	I	36.40
4-pin	4-wire straight female	10m	CSDS4A4CY2210	I	48.55
4-pin	3-wire right angle female	2m	CSDR4A3CY2202	S	24.25
4-pin	3-wire right angle female	5m	CSDR4A3CY2205	I	36.40
4-pin	3-wire right angle female	10m	CSDR4A3CY2210	I	48.55
4-pin	4-wire right angle female	2m	CSDR4A4CY2202	S	24.25
4-pin	4-wire right angle female	5m	CSDR4A4CY2205	I	36.40
4-pin	4-wire right angle female	10m	CSDR4A4CY2210	I	48.55

*For DC connector, NO (normally open) sensors require 4-pin 3-wire cable and NC (normally closed) sensors require 4-pin 4-wire cable

Eaton Prism Series Photoelectric Sensors



- Small size for use in a wide variety of applications and locations
- High sensing power for longer ranges and resistance to dust and dirt
- Adjustable gain control to ensure peak optical performance
- High noise immunity greatly reduces problems associated with electrical noise
- AC/DC models which allow you to order and stock one model for both voltages
- DC only models which offer lower cost options in all sensing modes
- Isolated outputs for wiring flexibility
- Short circuit protection
- Quick 3 mS response time on all models
- Highly visible output status LED

3

3-Wire & 4-Wire sensors

Model selection	Operating voltage	Type	Sensing range	Field of view	Thru beam part	Cat No Light Operate	Cat No Dark Operate	Stock Code	Price \$ ex GST
Thru-Beam Forward Viewing	20 – 132V AC or 15 – 30V DC	-	6m	0.5 m diameter at 3 metres	Source Detector	11155AA14 12155AL10	12155AD10	S S	139.59 163.89
	10 – 30V DC	-	6m	0.5 m diameter at 3 metres	Source Detector	11155AA17 12155AL10	12155AD10	I I	115.34 163.89
Reflex-Forward Viewing	20 – 132V AC or 15 – 30V DC	Standard Reflex	4.5m	76 mm diameter at 3.6 metres	-	14150AL14	14150AD14	S	213.30
Retroreflector (Not Included)	20 – 132V AC or 15 – 30V DC	Polarized Reflex	3m	76 mm diameter at 3.6 metres	-	14151AL14	14151AD14	I	248.83
For complete system, order Sensor and Retroreflector	10 – 30V DC	Standard Reflex	4.5m	76 mm diameter at 3.6 metres	-	14150AL17	14150AD17	I	200.29
	10 – 30V DC	Polarized Reflex	3m	76 mm diameter at 3.6 metres	-	14151AL17	14151AD17	I	200.29
Diffuse Reflective Forward Viewing	20 – 132V AC or 15 – 30V DC	-	200 mm	15 mm diameter at 127 mm	-	13150AL14	13150AD14	S	248.83
	10 – 30V DC	-	200 mm	15 mm diameter at 127 mm	-	13150AL17	13150AD17	I	v

Connection type : 6-foot Cable

Automation and Control

Photoelectric Sensors



Eaton E58 Harsh Duty Series Photoelectric Sensors

- E58 Sensors are available in 18 mm and 30 mm diameters
- Highly refined optics for long sensing ranges and to see through high levels of contamination — unmatched optical performance
- Perfect Prox® technology provides exceptional background rejection and extremely high excess gain
- Resistant to the wide range of chemicals used in the automotive, food processing and forest products industries
- Suitable for high temperature, high pressure washdown (1200 psi)
- Mechanical Viton seals hold up to extreme temperature variations
- Visible sensing beam on all models lets you see where the beam is aimed for quick setup and alignment
- Output status indicator is the brightest available and is visible from any angle and in any lighting condition
- The industry's only background rejection sensors with a 2-wire circuit design
- Models available with both AC and DC operation in a single unit
- 4-wire DC sensors offer dual NPN and PNP outputs

3

3-Wire & 4-Wire sensors

Model selection	Operating voltage	Sensing range	Field of view	Thru beam part	Cat No Light Operate	Cat No Dark Operate	Stock Code	Price \$ ex GST
30 mm Diameter Thru-Beam	20 – 132V AC or 15 – 30V DC	250 m	830 mm diameter at 76 metres	Source Detector	E58-30TS250-GA E58-30TD250-GL	E58-30D250-GD	S S	521.21 602.26
30 mm Diameter Reflex	20 – 132V AC or 15 – 30V DC	18 m	150 mm diameter at 6 metres	-	E58-30RS18-GL	E58-30RS18-GD	S	558.14
30 mm Diameter Polarized Reflex	20 – 132V AC or 15 – 30V DC	10 m	150 mm diameter at 6 metres	-	E58-30RP10-GL	E58-30RP10-GD	I	655.24

Note: Retroreflector not included
Connection type : 2 metre Cable

2-Wire sensors

Model selection	Operating voltage	Sensing range	Field of view	Thru beam part	Cat No Light Operate	Cat No Dark Operate	Stock Code	Price \$ ex GST
18 mm Diameter Perfect Prox®	90 – 132V AC or 18 – 50V DC	50 mm	6 mm diameter at 50 mm	-	E58-18DP50-EL	E58-18DP50-ED	I	455.11
	90 – 132V AC or 18 – 50V DC	100 mm	10 mm diameter at 100 mm	-	E58-18DP100-EL	E58-18DP100-ED	S	473.26
30 mm Diameter Perfect Prox®	90 – 132V AC or 18 – 50V DC	150 mm	19 mm diameter at 150 mm	-	E58-30DP150-EL	E58-30DP150-ED	I	527.90
	90 – 132V AC or 18 – 50V DC	280 mm	26 mm diameter at 280 mm	-	E58-30DPS280-EL	E58-30DPS280-ED	S	726.79

Connection type : 2 metre Cable

3-Wire & 4-Wire sensors

Model selection	Operating voltage	Sensing range	Field of view	Thru beam part	Cat No Light Operate	Cat No Dark Operate	Stock Code	Price \$ ex GST
18 mm Diameter Perfect Prox®	10 – 30V DC	50 mm	6 mm diameter at 50 mm	-	E58-18DP50-HL	E58-18DP50-HD	I	412.56
	10 – 30V DC	100 mm	10 mm diameter at 100 mm	-	E58-18DP100-HL	E58-18DP100-HD	S	430.81
30 mm Diameter Perfect Prox®	20 – 132V AC or 15 – 30V DC	150 mm	19 mm diameter at 150 mm	-	E58-30DP150-GL	E58-30DP150-GD	I	479.36
	20 – 132V AC or 15 – 30V DC	280 mm	26 mm diameter at 280 mm	-	E58-30DPS280-GL	E58-30DPS280-GD	S	527.90

Connection type : 2 metre Cable



Eaton E64 Terminal Base Series Photoelectric Sensors

- Universal voltage operation — 16 to 240V AC or DC
- SPST relay output handles up to 1A AC and 2A DC
- Screw-terminal connections with 1/2 inch NPT conduit entry
- Output and stability indicators
- PLC compatible output
- Sensitivity adjustment
- Selectable light or dark operation
- Mounting brackets and retroreflector (for polarised reflex models) included
- Rugged ABS housing rated NEMA 1, 3, 4, 12 and 13 (IP66)
- Polarised reflex models allow reliable detection of shiny targets that could reflect light back to the sensor and falsely trigger a non-polarised sensor
- Time delay models can be set for normal operation, on-delay, off-delay, on/ off-delay, or one-shot delay, with adjustable timing range from 0.6 to 16 sec

3

Model selection	Operating voltage	Sensing range	Field of view	Light Source	With time delay	Cat No	Stock Code	Price \$ ex GST
Thru-Beam Source	16-240VAC/DC	10 m	750 mm diameter at 10 metres	Infrared	-	E64CAL4T	S	169.88
Thru-Beam Detector	16-240VAC/DC	10 m	750 mm diameter at 10 metres	-	No Yes	E64CAL3T E64CAT3T	I S	303.37 358.02
For a complete system, order one Source and one Detector								
Reflex	16-240VAC/DC	0.15 – 5 m	125 mm diameter at 550 mm	Visible Red Visible Red	No Yes	E64CAL1T E64CAT1T	I S	455.11 527.90
Polarized Reflex	16-240VAC/DC	0.15 – 3.5 m	125 mm diameter at 550 mm	Visible Red Visible Red	No Yes	E64CAL5T E64CAT5T	I S	455.11 527.90
Retroreflector included in Reflex and Polarized Reflex sensors								
Diffuse Reflective	16-240VAC/DC	90 cm	20 mm diameter at 550 mm	Infrared Infrared	No Yes	E64CAL2T E64CAT2T	I S	418.66 499.40

Automation and Control

Photoelectric Sensors

Eaton E65 Miniature Series Photoelectric Sensors



- 10 – 30V DC operation
- Output and stability indicators
- NPN or PNP selectable by wiring
- Light or dark operation selectable by wiring
- Sensitivity adjustment for fine tuning the sensor in your application
- All sensors include an adjustable mounting bracket for easy installation and alignment
- All sensors built with 2 metre cable for ease of use

3

Model selection	Operating voltage	Sensing range	Sensing beam	Cat No Forward viewing	Cat No Right angle viewing	Stock Code	Price \$ ex GST
Thru-Beam Source	10 – 30V DC	5 m	Infrared	E65CBL4	E65VBL4	S	206.28
Thru-Beam Detector	10 – 30V DC	5 m	-	E65CBL3	E65VBL3	S	260.93
For a complete system, order one Source and one Detector							
Polarised Reflex	10 – 30V DC	0.1 – 1.8 m	Visible Red	E65CBL5	E65VBL5	S	337.72
Clear Object Sensors	10 – 30V DC	0.2 – 0.6 m	Infrared	-	E65VBL1C	S	411.75
Retroreflector included in Polarised Reflex and Clear Object sensors							
Diffuse Reflective Short Range	10 – 30V DC	100 mm	Infrared	E65CBL2	E65VBL2	S	378.43
Diffuse Reflective Long Range	10 – 30V DC	500 mm	Infrared	E65CBL2N	E65VBL2N	I	378.43
Diffuse Reflective Fixed Focus	10 – 30V DC	12 mm	Visible Red	E65CBL6	-	I	315.47
Fiber Optic	10 – 30V DC	Thru-beam mode: 11 cm Diffuse reflective mode: 3.3 cm	Visible Red	E65CBL7R	-	I	315.47

Connection type : 2 metre Cable

Eaton SM Series Photoelectric Sensors



- Highly visible LED indicators for power, output and TargetLock™
- TargetLock™ simplifies setup and ensures the sensor operates at the highest level of reliability possible
- Perfect Prox® models sense different coloured targets at the same range and ignore objects in the background
- AC/DC models operate on either 18 – 264V AC or 18 – 50V DC
- DC-only models feature both NPN and PNP outputs
- Visible beam on all models let you see exactly where the sensor is pointing
- Reverse polarity, overload and short circuit protection
- Full family includes thru-beam, polarised reflex, diffuse reflective and Perfect Prox® background rejection

3

3-Wire & 4-Wire sensors

Model selection	Operating voltage	Sensing range	Field of view	Thru beam part	Cat No Light Operate	Cat No Dark Operate	Stock Code	Price \$ ex GST
Thru-Beam	10 – 30V DC	15m	254 mm diameter at 3 metres	Source Detector	E65-SMTS15-HA		S	182.03
					E65-SMTD15-HL	E65-SMTD15-HD	S	236.68
Polarised Reflex	18 – 264V AC or 18 – 50V DC	3m	25 mm diameter at 1.3 metres	-	E65-SMPR3-GL	E65-SMPR3-GD	I	273.08
	10 – 30V DC	3m	25 mm diameter at 1.3 metres	-	E65-SMPR3-HL	E65-SMPR3-HD	I	236.68
Diffuse Reflective	18 – 264V AC or 18 – 50V DC	200 mm	50 mm diameter at 127 mm	-	E65-SMSD200-GL	E65-SMSD200-GD	S	236.68
	10 – 30V DC	200 mm	50 mm diameter at 127 mm	-	E65-SMSD200-HL	E65-SMSD200-HD	I	212.44
Perfect Prox®	18 – 264V AC or 18 – 50V DC	50 mm	6 mm diameter at 57 mm	-	E65-SMPP050-GL	E65-SMPP050-GD	I	303.37
		100 mm at 127 mm	9 mm diameter	-	E65-SMPP100-GL	E65-SMPP100-GD	S	303.37
	10 – 30V DC	50 mm	6 mm diameter at 57 mm	-	E65-SMPP050-HL	E65-SMPP050-HD	I	236.80
		100 mm at 127 mm	9 mm diameter	-	E65-SMPP100-HL	E65-SMPP100-HD	I	236.80

Connection type : 2 metre Cable

Automation and Control

Photoelectric Sensors



Eaton E51 Assembled Photoelectric Sensors - in reflex, diffuse reflective and thru-beam versions, complete with head, body and receptacle. For complete thru-beam system, order one source and one detector.

3

Description	Max. Range	Voltage	Circuit	Wires	Cat. No.	Stock Code	Price \$ ex GST
Reflex	-standard P*	5.5m	20-264Vac/dc	NO or NC	2	E51ALP1	709.13
	-standard	5.5m	120Vac	NO + NC	3	E51CLP1	749.20
	-standard, logic**	5.5m	120Vac	NO + NC	3	E51CNP1	749.95
	-standard, NPN	5.5m	10-30Vdc	NO + NC	3	E51NLP1	691.52
	-standard, PNP	5.5m	10-30Vdc	NO + NC	3	E51PLP1	692.23
	-fast response	5.5m	120Vac	NO + NC	3	E51CLP11	896.67
	-fast resp, logic**	5.5m	120Vac	NO + NC	3	E51CNP11	896.67
	-fast response, NPN	5.5m	10-30Vdc	NO + NC	3	E51NLP11	838.19
	-fast response, PNP	5.5m	10-30Vdc	NO + NC	3	E51PLP11	838.19
	-extended range	10.7m	120Vac	NO + NC	3	E51CLP3	773.87
	-ext range, logic**	10.7m	120Vac	NO + NC	3	E51CNP3	773.87
	-ext range, NPN	10.7m	10-30Vdc	NO + NC	3	E51NLP3	716.69
	-ext range, PNP	10.7m	10-30Vdc	NO + NC	3	E51PLP3	716.69
	-polarised lens	4.6m	120Vac	NO + NC	3	E51CLP5	809.78
	-pol lens, logic**	4.6m	120Vac	NO + NC	3	E51CNP5	809.78
	-pol lens, NPN	4.6m	10-30Vdc	NO + NC	3	E51NLP5	752.98
	-pol lens, PNP	4.6m	10-30Vdc	NO + NC	3	E51PLP5	752.98
Diffuse Reflective	- std. P*	200mm	20-264Vac/dc	NO or NC	2	E51ALP2	789.16
	-standard	200mm	120Vac	NO + NC	3	E51CLP2	827.39
	-standard, logic**	200mm	120Vac	NO + NC	3	E51CNP2	827.39
	-standard, NPN	200mm	10-30Vdc	NO + NC	3	E51NLP2	770.36
	-standard,PNP	200mm	10-30Vdc	NO + NC	3	E51PLP2	770.36
	-fast response	200mm	120Vac	NO + NC	3	E51CLP22	961.52
	-fast resp, logic**	200mm	120Vac	NO + NC	3	E51CNP22	961.52
	-fast response, NPN	200mm	10-30Vdc	NO + NC	3	E51NLP22	906.28
	-fast response, PNP	200mm	10-30Vdc	NO + NC	3	E51PLP22	961.52
	-high gain	450mm	120Vac	NO + NC	3	E51CLP6	833.70
	-high gain, logic**	450mm	120Vac	NO + NC	3	E51CNP6	833.70
	-high gain, NPN	450mm	10-30Vdc	NO + NC	3	E51NLP6	773.50
	-high gain, PNP	450mm	10-30Vdc	NO + NC	3	E51PLP6	773.50
	-extended range	1m	120Vac	NO + NC	3	E51CLP4	812.16
	-ext range, logic**	1m	120Vac	NO + NC	3	E51CNP4	812.16
	-ext range , NPN	1m	10-30Vdc	NO + NC	3	E51NLP4	754.60
	-ext range, PNP	1m	10-30Vdc	NO + NC	3	E51PLP4	754.60
Detector	-for thru-beam P*	90m	20-264Vac/dc	NO or NC	2	E51ALC1	923.56
	-for thru-beam	90m	120Vac	NO + NC	3	E51CLC1	962.98
	-for thru-beam, logic**	90m	120Vac	NO + NC	3	E51CNC1	962.98
	-for thru-beam,NPN	90m	10-30Vdc	NO + NC	3	E51NLC1	905.42
	-for thru-beam,PNP	90m	10-30Vdc	NO + NC	3	E51PLC1	905.42
24Vac source for thru-beam	-	-	-	-	E51ELA24	377.41	
240Vac source for thru-beam	-	-	-	-	E51ELA40	394.58	
10-30Vdc source for thru beam	-	-	-	-	E51EDN	406.19	

*P = programmable
**will accept logic modules

Automation and Control

Photoelectric Sensors



Eaton Comet Thru-Beam Photoelectric Sensors are available in a variety of sources and detectors to sense objects as small as 0.25 inch diameter. For complete system, order 1 source and 1 detector.

Sensitivity adjustment	15:1
Light source for 20-foot range	infrared LED
Light source for 80-foot range	visible red LED

Sensor = source + detector

3

Source

Voltage	Max. Range	Optimum Range	Viewing	Connector	Cat. No.	Stock Code	Price \$ ex GST
20-264Vac 50/60Hz or 15-30Vdc	refer	refer	forward	6 ft cable	11100A6513	I	195.86
	detector	detector	right angle	6 ft cable	11100R6513	I	195.86
			forward	micro	11100AQD03	I	236.68
			right angle	micro	11100RQD03	I	249.48
10-30Vdc	refer	refer	forward	6 ft cable	11100A6517	I	151.52
	detector	detector	right angle	6 ft cable	11100R6517	I	189.49
			forward	micro	11100AQD07	I	189.49
			right angle	micro	11100RQD07	I	189.49

Detector

Voltage	Max. Range	Optimum Range	Viewing	Connector	Cat. No.	Stock Code	Price \$ ex GST
20-264Vac 50/60Hz or 15-30Vdc (NPN)	20ft	0.1-10 ft	forward	6 ft cable	12100A6513	I	303.16
	20ft	0.1-10 ft	right angle	6 ft cable	12100R6513	I	303.16
	20 ft	0.1-10 ft	forward	micro	12100AQD03	I	356.89
	20ft	0.1-10 ft	right angle	micro	12100RQD03	I	356.89
	80 ft	0.1-40 ft	forward	6 ft cable	12102A6513	I	356.89
10-30Vdc (NPN, PNP)	80ft	0.1-40 ft	forward	micro	12102AQD03	I	408.94
	20ft	0.1-10 ft	forward	6 ft cable	12100A6517	I	246.29
	20ft	0.1-10 ft	right angle	6 ft cable	12100R6517	I	246.29
	20 ft	0.1-10 ft	forward	micro	12100AQD07	I	298.35
	20ft	0.1-10 ft	right angle	micro	12100RQD07	I	298.35
	80 ft	0.1-40 ft	forward	6 ft cable	12102A6517	I	298.35
	80ft	0.1-40 ft	forward	micro	12102AQD07	I	298.35

* For Plug in Cables, refer to page 3-55

Automation and Control

Photoelectric Sensors



Eaton Comet Reflex Photoelectric Sensors - High performance sensor housed in industry standard 18mm tubular body. Comes with two mounting nuts for quick installation.

Sensitivity adjustment	15:1
Output indicator LED	lights when output is "on"

Complete Unit = Sensor + Retroreflector

3

Sensor							
Voltage	Beam	Max/Optimum Range	Viewing	Connect	Cat. No.	Stock Code	Price \$ ex GST
20-264Vac 50/60Hz or 15-30Vdc(NPN)	visible red	25ft/0.1-15ft	forward	cable	14102A6513	I	356.89
	visible red	15ft/0.1-10ft	right angle	cable	14102R6513	I	377.41
	visible red	25ft/0.1-15ft	forward	micro	14102AQD03	I	408.89
	visible red	15ft/0.1-10ft	right angle	micro	14102RQD03	I	429.57
	invisible/infrared	25ft/0.1-15ft	forward	cable	14100A6513	I	356.89
	invisible/infrared	25ft/0.1-15ft	forward	micro	14100AQD03	I	408.94
	polarised vis. red	15ft/0.1-10ft	forward	cable	14101A6513	I	374.22
	polarised vis. red	15ft/0.1-10ft	right angle	cable	14101R6513	I	394.63
	polarised vis. red	10ft/0.1-5ft	forward	micro	14101AQD03	I	425.20
10-30Vdc (NPN, PNP)	polarised vis. red	10ft/0.1-5ft	right angle	micro	14101RQD03	I	450.09
	visible red	25ft/0.1-15ft	forward	cable	14102A6517	I	280.91
	visible red	15ft/0.1-10ft	right angle	cable	14102R6517	I	305.31
	visible red	25ft/0.1-15ft	forward	micro	14102AQD07	I	334.64
	visible red	15ft/0.1-10ft	right angle	micro	14102RQD07	I	356.89
	invisible/infrared	25ft/0.1-15ft	forward	cable	14100A6517	I	280.91
	invisible/infrared	25ft/0.1-15ft	forward	micro	14100AQD07	I	334.64
	polarised vis. red	15ft/0.1-10ft	forward	cable	14101A6517	I	298.89
	polarised vis. red	10ft/0.1-5ft	right angle	cable	14101R6517	I	318.87
polarised vis. red	15ft/0.1-10ft	forward	micro	14101AQD07	I	353.59	
polarised vis. red	10ft/0.1-5ft	right angle	micro	14101RQD07	I	374.11	

Retroreflectors			
Description	Cat. No.	Stock Code	Price \$ ex GST
3-inch diameter with mounting hole (2 per package)	6200A-6501	I	23.06
3-inch diameter with mounting hole (1 per package)	E51KR84	S	15.44
3-inch diameter, metal backed, with mounting hole (1 per package)	6200A-6506	S	23.06
3-inch wide retro reflective tape, 1 piece	6303A-XXX**	I	POA

Notes

Polarised visible beam red sensors may not operate with retro reflective tape. Test selected tape before installation.

**Replace XXXs in catalogue number with length in feet of tape required.

* For Plug in Cables, refer to page 3-55

Automation and Control

Photoelectric Sensors



Eaton Comet Diffuse Reflective Photoelectric Sensors -

High performance sensors housed in industry standard 18mm tubular body. Come with two mounting nuts for quick installation.

Sensitivity adjustment	15:1
Light source for model 13102	visible red LED
Light source for all other models	infrared LED
Output indicator LED	lights when output is "on"

3

Voltage	Max Range	Optimum Range	Viewing	Connect	Cat. No.	Stock Code	Price \$ ex GST	
20-264Vac 50/60Hz	8 in	0.1-5 in	forward	6 ft cable	13106A6513	I	356.89	
	8 in	0.1-5 in	right angle	6 ft cable	13106R6513	I	356.89	
or 15-30Vdc(NPN)	8 in	0.1-5 in	forward	micro	13106AQD03	I	409.05	
	8 in	0.1-5 in	right angle	micro	13106RQD03	I	409.05	
	24 in	0.1-15 in	forward	6 ft cable	13100A6513	I	356.89	
	24in	0.1-15 in	right angle	6 ft cable	13100R6513	I	356.89	
	24in	0.1-15 in	forward	micro	13100AQD03	I	409.05	
	24in	0.1-15 in	right angle	micro	13100RQD03	I	409.05	
	10-30Vdc (NPN, PNP)	8 in	0.1-5 in	forward	6 ft cable	13106A6517	I	280.91
		8 in	0.1-5 in	right angle	6 ft cable	13106R6517	I	280.91
8 in		0.1-5 in	forward	micro	13106AQD07	I	334.75	
8 in		0.1-5 in	right angle	micro	13106RQD07	I	334.75	
24 in		0.1-15 in	forward	6 ft cable	13100A6517	I	280.91	
24in		0.1-15 in	right angle	6 ft cable	13100R6517	I	280.91	
24in		0.1-15 in	forward	micro	13100AQD07	I	334.75	
24in		0.1-15 in	right angle	micro	13100RQD07	I	334.75	

* For Plug in Cables, refer to page 3-55

Sense Your Power With CurrentWatch™



High Performance AC and DC Current Sensors

Introducing CurrentWatch™, a complete line of Cutler-Hammer current sensors, switches and ground fault devices from Eaton's electrical business. With models measuring up to 2,000 amps AC and 300 amps DC, CurrentWatch products are perfect for providing improved reliability, predictive diagnostics, feedback and monitoring

for all types of electrical equipment. Simply run a conductor wire through the sensing aperture, wire the outputs to your controller, and installation is complete. With features such as split-core housings that wrap around existing wires, industry-standard outputs and self-powered models available, sensing current has never been easier.

And, of course, it's backed by Eaton's five-year warranty. For more information on Eaton's full line of Cutler-Hammer contact and non-contact sensing solutions—including CurrentWatch—just give our experienced Sensor Application Engineers a call at **1300 3 EATON** or visit us on the web at: www.eatonelectric.com.au

EATON


Powering Business Worldwide



Eaton EDC Series CurrentWatch Current Sensors

- Jumper-Selectable Ranges - Reduces inventory and eliminates zero or span pots
- Isolation . Output is magnetically isolated from the input for safety, also eliminating insertion loss (voltage drop)
- Internal Power Regulation. Cuts installation costs and works well, even with unregulated power
- Split Core Design and Built-In Mounting Brackets. Makes installation quick and easy
- UL and CE Approved
- Applications - Battery banks, transportation, Electrical heating elements

3

	Power Supply	Aperture Size	Output Signal	Current Range	Cat Number	Stock Code	Price ex GST
Top Terminal Current Sensors							
 Split-Core Housings	24V AC/DC	0.85 in. (21.6 mm)	0 – 5V DC	50, 75 or 100A	EDC205SP	I	\$400.00
				100, 150 or 200A	EDC305SP	I	\$400.00
				150, 225 or 300A	EDC405SP	I	\$400.00
			0 – 10V DC	50, 75 or 100A	EDC210SP	S	\$400.00
				100, 150 or 200A	EDC310SP	S	\$400.00
				150, 225 or 300A	EDC410SP	I	\$400.00
			4 – 20 mA	50, 75 or 100A	EDC2420SP	S	\$450.00
				100, 150 or 200A	EDC3420SP	S	\$450.00
				150, 225 or 300A	EDC4420SP	I	\$450.00
			Solid-Core Housings	0.75 in. (19 mm)	4 – 20 mA	5, 10 or 20A	EDC1420SC

Automation and Control

Current Sensors



Eaton ECSJ Series CurrentWatch Current Sensors

- Choice of N.O. or N.C. Solid-State Outputs.
1A @ 240V AC, 0.15A @ 30V DC, 15A @ 120V AC, 3A @ 120V AC, 0.15A @ 30V DC, Dual Contact
- Self-Powered - Cuts installation and operating costs
- Easily Adjustable Setpoint - Speeds start-up and reduces inventory
- Solid or Split-Core Housings - Choose the appropriate version for your application
- LED Indication - Provides quick visual indication of output contact status
- Built-In Mounting Feet - Provide for a secure installation
- UL, C-UL and CE Approved.
- Applications - Electronic proof of flow, Conveyors, Lighting Circuits, Fans, Pumps, Heating elements, Critical motors and Ancillary equipment.

3

Front and Top Terminal Switches	Power Supply	Aperture Size	Output Type, Voltage and Rating	Setpoint and LED Configuration	Cat Number	Price ex GST
	Self-Powered (No External Power Needed)	0.55 in. (14 mm)	Normally Open, 1A @ 240V AC	Adjustable 1 – 6, 6 – 40 or 40 – 175A Setpoint with LED	ECSJ400SC*	\$185.00
			Normally Open, 15A @ 120V AC	Adjustable 1 – 6, 6 – 40 or 40 – 175A Setpoint with LED	ECSJ406SC	\$250.00
			Normally Closed, 1A @ 240V AC	Adjustable 1 – 6, 6 – 40 or 40 – 175A Setpoint with LED	ECSJ401SC*	\$185.00
			Normally Closed, 15A @ 120V AC	Adjustable 1 – 6, 6 – 40 or 40 – 175A Setpoint with LED	ECSJ407SC	\$250.00
			Dual Contact, N.O. and N.C., 0.15A @ 30V DC	Adjustable 1 – 6, 6 – 40 or 40 – 175A Setpoint with LED	ECSJ430SC*	\$220.00
			Normally Open, 0.15A @ 30V DC	Adjustable 1 – 6, 6 – 40 or 40 – 175A Setpoint with LED	ECSJ420SC	\$185.00
			Normally Closed, 0.15A @ 30V DC	Adjustable 1 – 6, 6 – 40 or 40 – 175A Setpoint with LED	ECSJ424SC	\$175.00
		0.74 in. (19 mm)	Normally Open, 3A @ 120V AC	Adjustable 1 – 6, 6 – 40 or 40 – 175A Setpoint with LED	ECSJ404SC	\$220.00
			Normally Closed, 3A @ 120V AC	Adjustable 1 – 6, 6 – 40 or 40 – 175A Setpoint with LED	ECSJ405SC	\$220.00
		0.85 in. (21.6 mm)	Normally Open, 1A @ 240V AC	Adjustable 1.75 – 6, 6 – 40 or 40 – 200A Setpoint with LED	ECSJ402SP*	\$215.00
			Normally Closed, 1A @ 240V AC	Adjustable 1.75 – 6, 6 – 40 or 40 – 200A Setpoint with LED	ECSJ403SP	\$215.00
			Normally Open, 0.15A @ 30V DC	Adjustable 1.75 – 6, 6 – 40 or 40 – 200A Setpoint with LED	ECSJ422SP*	\$215.00
			Normally Closed, 0.15A @ 30V DC	Adjustable 1.75 – 6, 6 – 40 or 40 – 200A Setpoint with LED	ECSJ423SP	\$215.00

*Stocked Item



Eaton EGF Series CurrentWatch Current Sensors



- Range of Options to Meet Application Needs - N.O. or N.C., solidstate or mechanical relays, normally energised or normally de-energised contacts
- Setpoint Options Maximize Ease-of-Use and Application Flexibility - Field selectable 5, 10 or 30 mA setpoints on the EGF "Tri-set" models make user adjustments fast, sure and convenient
- Compatible with Standard Equipment - Application on single- and three-phases systems, ideal for use with shunt trip breakers, and magnetically isolated from monitored circuit and control power
- Agency Approved - UL and CE Certified, accepted worldwide
- Applications - Personnel Protection (Typically 5 mA), Equipment Protection (Typically 10 or 30 mA), Regulatory requirements

	Power Supply	Setpoint	AC Solid-State Output	DC Solid-State Output	Contacts	Cat Number	Price ex GST	
Solid-State Output Sensors								
	120V AC	Fixed, 50 mA	Solid-State, N.O., 1A @ 240V AC	—	Normally Energised	EGFINOACNE050	\$450.00	
					Normally De-energised	EGFINOACDE050	\$420.00	
			Solid-State, N.C., 1A @ 240V AC	—	Normally Energised	EGFINCACNE050	\$450.00	
					Normally De-energised	EGFINCACDE050	\$420.00	
			—	Solid-State, N.O., 0.15A @ 30V DC	Normally Energised	EGFINODCNE050	\$450.00	
					Normally De-energised	EGFINODCDE050	\$420.00	
			Fixed, 100 mA	Solid-State, N.O., 1A @ 240V AC	—	Normally Energised	EGFINOACNE100	\$450.00
					Normally De-energised	EGFINOACDE100	\$420.00	
		Solid-State, N.C., 1A @ 240V AC		—	Normally Energised	EGFINCACNE100	\$450.00	
					Normally De-energised	EGFINCACDE100	\$420.00	
		—		Solid-State, N.O., 0.15A @ 30V DC	Normally Energised	EGFINODCNE100	\$450.00	
					Normally De-energised	EGFINODCDE100	\$420.00	
			Tri-Set Adjustable, 5, 10 or 30 mA	Solid-State, N.O., 1A @ 240V AC	—	Normally Energised	EGF3NOACNET3	\$430.00
					Normally De-energised	EGF3NOACDET3	\$400.00	
		Solid-State, N.C., 1A @ 240V AC		—	Normally Energised	EGF3NCACNET3	\$430.00	
					Normally De-energised	EGF3NCACDET3	\$400.00	
		—		Solid-State, N.O., 0.15A @ 30V DC	Normally Energised	EGF3NODCNET3	\$430.00	
					Normally De-energised	EGF3NODCDET3	\$400.00	
		—		Solid-State, N.C., 0.15A @ 30V DC	Normally Energised	EGF3NCDCNET3	\$430.00	
					Normally De-energised	EGF3NCDCDET3	\$400.00	



Eaton EPRM Series CurrentWatch Current Sensors



- True RMS Output Models Available - True RMS technology is accurate on distorted waveforms like VFD or SCR outputs
- Switch-Selectable Input and Output Ranges - Field selectable input accommodates multiple AC current ranges, while voltage output models offer choice of 0-5V DC or 0-10V DC analog outputs
- Application Versatility - Supports input ranges of up to 400A and standard 50/60 Hz or distorted (VFD, SCR) loads
- Agency Approvals and Patented Technology - CE Approved and UL 508 Pending with a patented technology that eliminates problems inherent with magnetic technology such as core saturation
- Applications - Motor Control Centres, Automation and Data Logging and VFD Controlled Loads.

	Power Supply	Output Signal	Current Selectable Range	Cat Number	Stock Code	Price Ex GST
AC Current Sensors						
	24V DC \pm 5% Auxiliary Power	0 – 5 or 0 – 10V DC	10, 25 or 50A	EPRM0510ASP	I	\$400.00
			50, 75 or 100A	EPRM1510ASP	I	\$400.00
			100, 150 or 200A	EPRM2510ASP	I	\$400.00
			200, 300 or 400A	EPRM3510ASP	I	\$400.00
	24V DC \pm 5% Loop-Powered	4 – 20 mA	10, 25 or 50A	EPRM0420LSP	I	\$460.00
			50, 75 or 100A	EPRM1420LSP	I	\$460.00
			100, 150 or 200A	EPRM2420LSP	I	\$460.00
			200, 300 or 400A	EPRM3420LSP	S	\$460.00
True RMS Sensors						
	24V DC \pm 5% Auxiliary Power	0 – 5 or 0 – 10V DC	10, 25 or 50A	EPRM0510ASP	I	\$450.00
			50, 75 or 100A	EPRM1510ASP	S	\$450.00
			100, 150 or 200A	EPRM2510ASP	I	\$450.00
			200, 300 or 400A	EPRM3510ASP	I	\$450.00
	24V DC \pm 5% Loop-Powered	4 – 20 mA	10, 25 or 50A	EPRM0420LSP	S	\$570.00
			50, 75 or 100A	EPRM1420LSP	S	\$570.00
			100, 150 or 200A	EPRM2420LSP	I	\$570.00
			200, 300 or 400A	EPRM3420LSP	I	\$570.00



Eaton EAC Series CurrentWatch Current Sensors

- Highly Accurate - Factory matched and calibrated single-piece sensor is more accurate than traditional two-piece, field-installed solutions
- Average Responding - "Average Responding" algorithm gives an RMS output on pure sine waves, perfect for constant speed (linear) loads
- Jumper Selectable Ranges - The ability to change input ranges reduces inventory and eliminates zero and span
- Isolation - Output is magnetically isolated from the input for safety and elimination of insertion loss (voltage drop)
- UL, C-UL and CE Approved - Accepted worldwide Typical
- Applications - Automation Equipment, Data Loggers and Panel Meters

	Power Supply	Aperture Size	Output Signal	Current Range	Cat Number	Code	Price Ex GST
Top Terminal Current Sensors							
 <p>Solid-Core Housings</p>	Self-Powered (No External Power Needed)	0.74 in. (19 mm)	0 – 5V DC	10, 20 or 50A	EAC105SC	I	195.00
				100, 150 or 200A	EAC205SC	I	195.00
			0 – 10V DC	10, 20 or 50A	EAC110SC	I	195.00
			100, 150 or 200A	EAC210SC	I	195.00	
	24V DC Loop-Powered		4 – 20 mA	2 or 5A	EAC0420SC	I	280.00
				10, 20 or 50A	EAC1420SC	I	280.00
100, 150 or 200A		EAC2420SC		I	280.00		
 <p>Split-Core Housings</p>	Self-Powered (No External Power Needed)	0.85 in. (21.6 mm)	0 – 5V DC	10, 20 or 50A	EAC105SP	I	260.00
				100, 150 or 200A	EAC205SP	I	260.00
			0 – 10V DC	10, 20 or 50A	EAC110SP	S	260.00
			100, 150 or 200A	EAC210SP	I	260.00	
	24V DC Loop-Powered		4 – 20 mA	2 or 5A	EAC0420SP	S	340.00
				10, 20 or 50A	EAC1420SP	S	340.00
100, 150 or 200A		EAC2420SP		I	340.00		
 <p>Split-Core Housings</p>	120V AC		4 – 20 mA	2 or 5A	EACP0420120SP	I	495.00
				10, 20 or 50A	EACP1420120SP	I	495.00
				100, 150 or 200A	EACP2420120SP	I	495.00
	24V AC/DC		4 – 20 mA	2 or 5A	EACP042024USP	I	460.00
				10, 20 or 50A	EACP142024USP	S	460.00
				100, 150 or 200A	EACP242024USP	I	460.00



Automation and Control

Current Sensors



Eaton EACR Series CurrentWatch Current Sensors

- True RMS Output - True RMS technology is accurate on distorted waveforms like VFD or SCR outputs
- Jumper-Selectable Ranges - Reduces inventory and eliminates zero and span
- Isolation - Output is magnetically isolated from the input for safety and elimination of insertion loss (voltage drop)
- UL, C-UL and CE Approved
- Applications - VFD Controlled Loads, SCR Controlled Loads and Switching Power Supplies and Electronic Ballasts



	Power Supply	Aperture Size	Output Signal	Current Range	Cat Number	Code	Price Ex GST
Top Terminal Current Sensors							
 Solid-Core Housings	24V DC Loop-Powered	0.74 in. (19 mm)	4 – 20 mA	2 or 5A	EACR0420SC	I	360.00
				10, 20 or 50A	EACR1420SC	I	360.00
				100, 150 or 200A	EACR2420SC	I	360.00
 Split-Core Housings	24V DC Loop-Powered	0.85 in. (21.6 mm)	4 – 20 mA	2 or 5A	EACR0420SP	S	440.00
				10, 20 or 50A	EACR1420SP	S	440.00
				100, 150 or 200A	EACR2420SP	S	440.00

3



Eaton ECS7 Series CurrentWatch Current Sensors

- Self-Powered and Self-Calibrating . Reduces installation costs
- Status Monitoring, Overload and Operating Window Options
Choose the operating style that matches your application
- Universal Output . AC or DC compatibility with any automation system
- UL, C-UL and CE Approved.
- Applications - Conveyors, Electronic Proof of Flow and Pump Protection

	Power Supply	Output Type	Aperture Size	Intelligent Logic	Cat Number	Code	Price Ex GST
Front and Top Terminal Switches							
 Solid-Core Housing	Self-Powered (No External Power Needed)	Normally Open	0.74 in. (19 mm)	Over/Underload, 1.5 – 150A Self-Calibrating	ECS701SC ①	I	\$300.00
				Overload Only, 1.5 – 150A Self-Calibrating	ECS700SC	I	\$300.00
				Underload Only, 1.5 – 150A Self-Calibrating	ECS702SC	I	\$300.00
 Split-Core Housing			0.85 in. (21.6 mm)	Over/UnderLoad, 2.8 – 150A Self-Calibrating	ECS711SP ①	S	\$350.00
				Overload Only, 2.8 – 150A Self-Calibrating	ECS710SP	I	\$350.00
				Underload Only, 2.8 – 150A Self-Calibrating	ECS712SP	I	\$350.00

① Output is closed when current is within ± 15% window.



Eaton ECSTD Series CurrentWatch Current Sensors

- Adjustable Start-Up/Delay Timer - Field adjustable from 0-15 seconds to eliminate nuisance alarms due to start-up inrush or temporary overcurrent conditions
- Choice of N.O./N.C. AC or Universal Outputs - Contact ratings of 1.0A @ 240V AC or universal outputs of 0.15A @ 240V AC/DC (N.O. models) and 0.2A @ 135V AC/DC (N.C. models) for use with most standard motor control systems
- Improved Ease of Installation and Use - Self-powered, split-core models simplify installation, 1.0A AC rating eliminates need for time delay relay, and status LED provides visual indication of setpoint trip and contact action
- Industrial Grade Performance - Constant hysteresis and linear response characteristics enhance setpoint accuracy
- Agency Approved - UL Listed, CE pending Typical
- Applications - Motor Protection and High Inrush or Temporary Overload Current.

	Power Supply	Aperture Size	Output Type	Setpoint Options	Cat Number	Code	Price Ex GST
AC Output Switches (N.O./N.C. 1A @ 240V AC)							
Solid-Core Housings 	Self Powered (No External Power Needed)	0.75 in. (19 mm)	Normally Open	Adjustable Setpoints: 1.5 - 12, 12 - 55 or 50 - 175A	ECSTD401SC	I	\$220.00
			Normally Closed	Adjustable Setpoints: 1.5 - 12, 12 - 55 or 50 - 175A	ECSTD402SC	I	\$220.00
Split-Core Housings 		0.85 in. (21.6 mm)	Normally Open	Adjustable Setpoints: 2 - 12, 12 - 55 or 50 - 200A	ECSTD404SP	S	\$245.00
			Normally Closed	Adjustable Setpoints: 2 - 12, 12 - 55 or 50 - 200A	ECSTD405SP	S	\$245.00
AC/DC Output Switches (N.O. 0.15A @ 240V AC/DC, N.C. 0.2A @ 135V AC/DC) ^①							
Solid-Core Housings 	Self Powered (No External Power Needed)	0.75 in. (19 mm)	Normally Open	Adjustable Setpoints: 1.5 - 12, 12 - 55 or 50 - 175A	ECSTD406SC	I	\$220.00
			Normally Closed	Adjustable Setpoints: 1.5 - 12, 12 - 55 or 50 - 175A	ECSTD407SC	I	\$220.00
Split-Core Housings 		0.85 in. (21.6 mm)	Normally Open	Adjustable Setpoints: 2 - 12, 12 - 55 or 50 - 200A	ECSTD408SP	S	\$245.00
			Normally Closed	Adjustable Setpoints: 2 - 12, 12 - 55 or 50 - 200A	ECSTD409SP	I	\$245.00

^① Preferred for PLC inputs.



Automation and Control

Current Sensors



Eaton ECS Series CurrentWatch Current Sensors

- Universal Outputs N.O. or N.C. solid-state switch for control circuits up to 240V AC/DC
- Easily Adjustable Setpoint - Increases application flexibly and speeds start-up
- Solid- or Split-Core Housings
- LED Indication - Provides quick indication of contact status
- Built-In Mounting Feet - Simple, two-screw panel mount or attach with optional DIN-rail mounting kit accessor
- Applications - Electronic proof of flow, Conveyors, Lighting Circuits, Fans, Pumps, Heating elements, Critical motors and Ancillary equipment.

	Power Supply	Aperture Size	Output Signal	Setpoint and LED Configuration	Cat Number	Code	Price Ex GST
Top Terminal Current Switch							
Solid-Core Housings 	Self Powered (No External Power Needed)	0.74 in. (19 mm)	Normally Open	Adjustable 1 – 150A Setpoint with LED	ECSNOASC	I	\$195.00
				Fixed 1.0A Setpoint No LED	ECSNOFSC	I	\$145.00
			Normally Closed	Adjustable 1 – 150A Setpoint with LED	ECSNCASC	I	\$195.00
				Fixed 1.0A Setpoint No LED	ECSNCFSC	I	\$145.00
Split-Core Housings 		0.85 in. (21.6 mm)	Normally Open	Adjustable 1.75 – 150A Setpoint with LED	ECSNOASP	S	\$215.00
				Fixed 1.5A Setpoint No LED	ECSNOFSP	I	\$175.00
			Normally Closed	Adjustable 1.75 – 150A Setpoint with LED	ECSNCASP	S	\$215.00
				Fixed 1.5A Setpoint No LED	ECSNCFSP	I	\$175.00

Automation and Control

Plug In Relays



Eaton D2PF2 2 Pole Relays

- Flag indicator shows relay status in manual or powered condition
- Bi-polar LED status lamp allows for reverse polarity applications
- Shows coil ON or OFF status
- Colour coded pushbutton identifies AC coils with red or DC coils with blue pushbuttons
- Allows for manual operation of relay without the need for coil power
- Ideal for field service personnel to test control circuits
- Lock down door, when activated, holds pushbutton and contacts in the operate position
- Excellent for analysing circuit problems
- Finger-grip cover allows operator to remove relays from sockets more easily than conventional relays
- White plastic I.D. tag/write label used for identification of relays in multi-relay circuits

3

Eaton D2PF2 2 Pole Relays		Cat. No	Stock Code	Price \$ exGST
Relay 10 Amps 6V DC 2 Pole	6V DC	D2PF2AP1	I	22.80
Relay 10 Amps 6V AC 2 Pole	6V AC	D2PF2AP	I	22.80
Relay 10 Amps 48V DC 2 Pole	48V DC	D2PF2AW1	I	16.70
Relay 10 Amps 24V DC 2 Pole	24V DC	D2PF2AT1	S	16.70
Relay 10 Amps 24V AC 2 Pole	24V AC	D2PF2AT	S	16.70
Relay 10 Amps 240V AC 2 Pole	240V AC	D2PF2AB	S	16.70
Relay 10 Amps 12V DC 2 Pole	12V DC	D2PF2AR1	S	16.70
Relay 10 Amps 12V AC 2 Pole	12V AC	D2PF2AR	S	22.80
Relay 10 Amps 120V AC 2 Pole	120V AC	D2PF2AA	S	16.70



Eaton D2PF4 4 Pole Relays

- Flag indicator shows relay status in manual or powered condition
- LED status lamp shows coil "ON" or "OFF" status — ideal for use in low light applications
- Push-to-test button allows for manual operation of relay without the need for coil power
- Lock-down door holds pushbutton and contacts in the operate position when activated
- Finger-grip cover allows operator to remove relays from sockets easily
- I.D. tag/write label to identify relays in multiple-relay circuits
- Bi-polar LED allows for reverse polarity applications

Eaton D2PF3 4 Pole Relays		Cat. No	Stock Code	Price \$ exGST
Relay 3 Amps 6V AC 4 Pole	6V AC	D2PF4AP	I	17.50
Relay 3 Amps 48V DC 4 Pole	48V DC	D2PF4AW1	S	17.50
Relay 3 Amps 24V DC 4 Pole	24V DC	D2PF4AT1	S	17.50
Relay 3 Amps 24V AC 4 Pole	24V AC	D2PF4AT	S	17.50
Relay 3 Amps 240V AC 4 Pole	240V AC	D2PF4AB	S	17.50
Relay 3 Amps 12V DC 4 Pole	12V DC	D2PF4AR1	S	17.50
Relay 3 Amps 12V AC 4 Pole	12V AC	D2PF4AR	S	17.50
Relay 3 Amps 110V DC 4 Pole	110V DC	D2PF4AA1	S	17.50
Relay 3 Amps 110DC 4 Pole	110V DC	D2PF4AA1	S	17.50
2 OR 4 Pole DIN or Panel Mount Base (Fingersafe)		D2PA7	S	7.60



Eaton D3PF2 8 Pin Round Pin Plug Relays

- Flag indicator shows relay status in manual or powered condition
- LED status lamp shows coil "ON" or "OFF" status
- Push-to-test button allows for manual operation of relay
- Lock-down door holds pushbutton and contacts in the operate position when activated
- Finger-grip cover allows operator to remove relays from sockets easily
- I.D. tag/write label to identify relays in multiple-relay circuits
- Bi-polar LED allows for reverse polarity applications

Eaton D3PF3 8 Pin Plug Relays		Cat. No	Stock Code	Price\$ exGST
Relay 12 Amps 24V DC 2 Pole	24V DC	D3PF2AT1	S	36.55
Relay 12 Amps 24V AC 2 Pole	24V AC	D3PF2AT	S	36.55
Relay 12 Amps 240V AC 2 Pole	240V AC	D3PF2AB	S	36.55
Relay 12 Amps 12V DC 2 Pole	12V DC	D3PF2AR1	S	36.55
Relay 12 Amps 120V AC 2 Pole	120V AC	D3PF2AA	S	36.55
Relay 12 Amps 110V DC 2 Pole	110V DC	D3PF2AA1	I	36.55
8 PIN Octal Base		D3PA6	S	15.15



Eaton D3PF3, D3PR5 11 Pin Round Pin Plug Relays

- Flag indicator shows relay status in manual or powered condition
- LED status lamp shows coil "ON" or "OFF" status
- Push-to-test button allows for manual operation of relay
- Lock-down door holds pushbutton and contacts in the operate position when activated
- Finger-grip cover allows operator to remove relays from sockets easily
- I.D. tag/write label to identify relays in multiple-relay circuits
- Bi-polar LED allows for reverse polarity applications

D3PF3 11 Pin Round Pin Plug Relays		Cat. No	Stock Code	Price\$ exGST
Relay 12 Amps 24V DC 3 Pole	24V DC	D3PF3AT1	S	39.60
Relay 12 Amps 24V AC 3 Pole	24V AC	D3PF3AT	S	39.60
Relay 12 Amps 240V AC 3 Pole	240V AC	D3PF3AB	S	39.60
Relay 12 Amps 120V AC 3 Pole	120V AC	D3PF3AA	S	39.60
Relay 12 Amps 110V DC 3 Pole	110V DC	D3PF3AA1	I	39.60
11 PIN Octal Base		D3PA7	S	15.15

D3PR5 11 PIN Latching Relays		Cat. No	Stock Code	Price\$ exGST
Relay 10 Amps 120V AC 2 Pole	120V AC	D3PR5A	I	39.60
Relay 10 Amps 24V AC 2 Pole	24V AC	D3PR5T	I	39.60

3

Automation and Control

Plug In Relays



D4PR1, D4PR2 Single and Double Pole Slimline Flat Pin Relay

- Slim-styled power relay
- Socket has built-in hold-down clip
- Panel or DIN rail mounting

3

Eaton D4PR1 Single Pole Slimline Flat Pin Relay		Cat. No	Stock Code	Price \$ exGST
Relay 10 Amps 24V DC 1 Pole	24V DC	D4PR11T1	S	9.20
Relay 10 Amps 24V DC 1 Pole	24V DC	D4PR11T1	S	9.20
Relay 10 Amps 24V AC 1 Pole	24V AC	D4PR11T	S	11.70
Relay 10 Amps 240V AC 1 Pole	240V AC	D4PR11B	S	16.95
Relay 10 Amps 120V AC 1 Pole	120V AC	D4PR11A	S	11.70
Single Pole Base		D4PA1	S	6.80

D4PR2 Double Pole Slimline Flat Pin Relay		Cat. No	Stock Code	Price \$ exGST
Relay 5 Amps 24V DC 2 Pole	24V DC	D4PR21T1	S	11.00
Relay 5 Amps 24V AC 2 Pole	24V AC	D4PR2T	S	14.60
Relay 5 Amps 12V DC 2 Pole	12V DC	D4PR2R1	S	11.00
Relay 5 Amps 120V AC 2 Pole	120V AC	D4PR21A	S	14.60
Double Pole Base		D4PA2	S	10.20



Eaton D5PF2, D5PF3 Full Feature General Purpose Power Relay

- Slim-styled power relay
- Socket has built-in hold-down clip
- Panel or DIN rail mounting

D5PF Full Feature General Purpose Power Relay		Cat. No	Stock Code	Price \$ exGST
RELAY 12 AMPS 120V AC 2 Pole	120V AC	D5PF2AA	I	16.84
RELAY 12 AMPS 110V DC 2 Pole	110V DC	D5PF2AA1	I	18.37
RELAY 12 AMPS 240V AC 2 Pole	240V AC	D5PF2AB	I	18.37
RELAY 12 AMPS 12V DC 2 Pole	12V DC	D5PF2AR1	I	16.84
RELAY 12 AMPS 24V AC 2 Pole	24V AC	D5PF2AT	I	16.84
RELAY 12 AMPS 24V DC 2 Pole	24V DC	D5PF2AT1	I	19.35
RELAY 12 AMPS 120V AC 3 Pole	120V AC	D5PF3AA	I	18.55
RELAY 12 AMPS 110V DC 3 Pole	110V DC	D5PF3AA1	I	24.86
RELAY 12 AMPS 240V AC 3 Pole	240V AC	D5PF3AB	I	21.70
RELAY 12 AMPS 12V DC 3 Pole	12V DC	D5PF3AR1	I	20.03
RELAY 12 AMPS 24V AC 3 Pole	24V AC	D5PF3AT	I	20.03
RELAY 12 AMPS 24V DC 3 Pole	24V DC	D5PF3AT1	I	20.03
11 Pin Screw Terminal Base		D5PA2	I	6.10

Automation and Control

Plug In Relays



D7PR2 Double Pole Flat Pin Relay

- Arc barrier equipped relay with high dielectric strength
- Panel, DIN rail and flange mounting

D7PR2 Double Pole Flat Pin Relay		Cat. No	Stock Code	Price \$ exGST
Relay 10 Amps 48V DC 2 Pole	48V DC	D7PR2W1	I	22.80
Relay 10 Amps 24V DC 2 Pole	24V DC	D7PR2T1	S	22.80
Relay 10 Amps 24V AC 2 Pole	24V AC	D7PR2T	S	22.80
Relay 10 Amps 240V AC 2 Pole	240V AC	D7PR2B	S	22.80
Relay 10 Amps 12V DC 2 Pole	12V DC	D7PR2R1	S	22.80
Relay 10 Amps 120V AC 2 Pole	120V AC	D7PR2A	S	22.80
Relay 10 Amps 110V DC 2 Pole	110V DC	D7PR2A1	I	22.80
DIN RAIL Mount BaseS 3 Pole 2 Pole		D7PA2	S	12.70
BaseS SCREW TERMINAL ADAPTOR		D7PAA	S	12.70

3



D7PF4 Four Pole Flat Pin Relay

- Flag indicator shows relay status in manual or powered condition
- Bi-polar LED status lamp allows for reverse polarity applications
- Shows coil ON or OFF status
- Ideal in low light conditions
- Colour coded pushbutton identifies AC coils with red or DC coils with blue pushbuttons
- Allows for manual operation of relay without the need for coil power
- Ideal for field service personnel to test control circuits
- Lock down door, when activated, holds pushbutton and contacts in the operate position
- Excellent for analysing circuit problems
- Finger-grip cover allows operator to remove relays from sockets more easily than conventional relays
- White plastic I.D. tag/write label used for identification

D7PR2 Four Pole Flat Pin Relay		Cat. No	Stock Code	Price \$ exGST
Relay 12 Amps 48V DC 4 Pole	48V DC	D7PF4AW1	S	40.55
Relay 12 Amps 24V DC 4 Pole	24V DC	D7PF4AT1	S	40.55
Relay 12 Amps 24V AC 4 Pole	24V AC	D7PF4AT	S	40.55
Relay 12 Amps 240V AC 4 Pole	240V AC	D7PF4AB	S	40.55
Relay 12 Amps 12V DC 4 Pole	12V DC	D7PF4AR1	S	40.55
Relay 12 Amps 12V AC 4 Pole	12V AC	D7PF4AR	S	40.55
Relay 12 Amps 120V AC 4 Pole	120V AC	D7PF4AA	S	40.55
D7 PF 4 Base		D7PA4	S	17.00

Automation and Control

Plug In Power and Solid State Relays



D8PR6, D8PR7 Single and Double Pole High Current Power Relay

- Allows switching of 25A and 30A loads
- A high-capacity, high-withstand voltage relay compatible with momentary voltage drops
- No contact chattering for momentary voltage drops up to 50% of rated voltage
- UL Class B construction standard
- Wide-range AC-activated coil that handles 100 to 120V AC at either 50 or 60 Hz
- Panel, DIN rail and flange mounting

3

D8PR6 Single Pole High Current Power Relay		Cat. No	Stock Code	Price \$ exGST
Relay 30 Amps 24V DC 1 Pole	24V DC	D8PR6TET1	S	41.80
Relay 30 Amps 24V DC 1 Pole	24V DC	D8PR6TFT1	S	41.80
Relay 30 Amps 24V AC 1 Pole	24V AC	D8PR6TET	S	44.60
Relay 30 Amps 120V AC 1 Pole	120V AC	D8PR6TFA	I	41.80
Front Connecting Base		D8PA2	S	28.00

D8PR7 Double Pole High Current Power Relay		Cat. No	Stock Code	Price \$ exGST
Relay 25Amps 24V AC 2 Pole	24V AC	D8PR7TFT	S	42.70
Relay 25Amps 240V AC 2 Pole	240V AC	D8PR7TFB	S	49.40
Relay 25 Amps 24V DC 2 Pole	24V DC	D8PR7TFT1	I	42.70
Relay 25 Amps 120V AC 2 Pole	120V AC	D8PR7TEA	I	42.70
Front Connecting Base		D8PA2	S	28.00

Discount Schedule C11



Cosmo Solid State Relays

- Flat Mounting Type
- Screw and Spade Terminal Type
- AC/DC Input

Product Description	Cat. No.	Stock Code	Price \$ ex GST
SSR Input 50V - 250Vac Load 10A	KSA210AC8	S	36.77
SSR Input 50V - 250Vac Load 25A	KSA225AC8	S	48.33
SSR Input 50V - 250Vac Load 40A	KSA240AC8	S	52.76
SSR Input 4V - 24VDC Load 10A	KSD210AC8	S	35.15
SSR Input 4V - 24VDC Load 25A	KSD225AC8	S	48.33
SSR Input 4V - 24VDC Load 40A	KSD240AC8	S	51.48

Discount Schedule B51

Automation and Control

Terminal Block Interface Relays



XR Terminal Block Interface Relays

- 6mm wide (1P), 14mm wide (2P) relay
- screw connection or spring-cage
- Plug-in jumpers or bridges available
- SPDT or DPDT contacts rated 6A
- DIN rail mount, LED indication
- Field-replaceable pluggable miniature relay
- 12VDC to 110VDC/120VAC available
- 10A High current series in SPDT

3

Product Description	Cat. No.	Stock Code	Price \$ ex GST
XR Relay, 1P, 6A, 12VDC, screw conn NEW	XRU1D12	S	32.40
XR Relay, 1P, 6A, 120VAC/110VDC, screw conn NEW	XRU1D120U	I	37.80
XR Relay, 1P, 6A, 230VAC/220VDC, screw conn NEW	XRU1D230U	S	43.20
XR Relay, 1P, 6A, 24VDC, screw conn NEW	XRU1D24	I	32.40
XR Relay, 1P, 6A, 24VAC/DC, screw conn NEW	XRU1D24U	S	37.80
XR Relay, 2P, 6A, 12VDC, screw conn NEW	XRU2D12	S	48.60
XR Relay, 2P, 6A, 120VAC/110VDC, screw conn NEW	XRU2D120U	I	59.40
XR Relay, 2P, 6A, 230VAC/220VDC, screw conn NEW	XRU2D230U	S	95.00
XR Relay, 2P, 6A, 24VDC, screw conn NEW	XRU2D24	I	43.20
XR Relay, 2P, 6A, 24VAC/DC, screw conn NEW	XRU2D24U	S	48.60
XR Relay, 1P, 6A, 12VDC, spring-cage NEW	XRP1D12	I	37.80
XR Relay, 1P, 6A, 120VAC/110VDC, spring-cage NEW	XRP1D120U	I	48.60
XR Relay, 1P, 6A, 230VAC/220VDC, spring-cage NEW	XRP1D230U	I	81.00
XR Relay, 1P, 6A, 24VDC, spring-cage NEW	XRP1D24	I	37.80
XR Relay, 1P, 6A, 24VAC/DC, spring-cage NEW	XRP1D24U	I	43.20
XR Relay, 2P, 6A, 230VAC/220VDC, spring-cage NEW	XRP2D230U	I	102.60
XR Relay, 1P, 10A, 12VDC, screw conn NEW	XRU1H12	I	43.20
XR Relay, 1P, 10A, 120VAC/110VDC, screw conn NEW	XRU1H120U	I	54.00
XR Relay, 1P, 10A, 230VAC/220VDC, screw conn NEW	XRU1H230U	I	102.60
XR Relay, 1P, 10A, 24VDC, screw conn NEW	XRU1H24	I	43.20
XR Relay, 1P, 10A, 24VAC/DC, screw conn NEW	XRU1H24U	I	48.60

Accessories

Product Description	Cat. No.	Stock Code	Price \$ ex GST
2-position snap-in Jumper, grey NEW	XRAFBST2GY	S	5.40
80-position snap-in Jumper, grey NEW	XRAFBST500GY	S	37.80
Power Terminal Block NEW	XRAPLCESK	I	43.20
End Cover NEW	XRAATPBK	S	5.40

Note: Spring clamp models are also available.













With the use of the C383 control voltage relays 24VDC control input is no longer a requirement for using our IT starters. The gold plated contact C383 model can switch currents as low as 2mA AC/DC.

Automation and Control

Relay Selection Chart



Powering Business Worldwide

Relay & Base	EATON	PANASONIC	OMRON	SCHNEIDER	NHP	IDEC
General Purpose Flat Pin Plug In Relays						
 DPDT	D2PF2 (10A)	NHJ2L (7A)	MY2N (5A)	RXM2 (12A)	55.32 (10A)	RY2S-JL (3A)
Base	D2PA7	NHJ2-SFD-S	PYF08A-E	RXZE2M114M	94.72	SY2S-05
 4PDT	D2PF4 (3A)	NHJ4L (5A)	MY4N (3A)	RXM4 (5A)	55.34 (7A)	RY4S-JL (5A)
Base	D2PA7	NHJ4-SFD-S	PYF14A-E	RXZE2M114M	94.74	SY4S-05
 DPDT	D7PR2 (10A)	NHL2L (10A)	LY2N (10A)	RPV2 (15A)	56.32 (12A)	RH2B-JL (10A)
Base	D7PA2	NAHKA21P	PTF08A-E	RPZF2	96.72	SH2B-05
 4PDT	D7PF4 (12A)	BY4N* (10A)	LY4N (10A)	RPV4 (15A)	56.34 (12A)	RH4B-JL (10A)
Base	D7PA4	BT14A-E	PTF14A-E	RPZF4	96.74	SH4B-05
Slimline Flat Pin Plug In Relays						
 SPDT	D4PR1 (10A)	NHN1 (10A)	G2R-1-SN (10A)	RSB1A (16A)	40.51 (10A)	RH1B-JL (10A)
Base	D4PA1	NHNA11	P2RF-05-E	RSZE1S48M	95.05	SH1B-05
 DPDT	D4PR2 (5A)	NHN2 (5A)	G2R-2-SN (5A)	RSB2A (8A)	40.52 (8A)	RH2B-JL (10A)
Base	D4PA2	NHNA21	P2RF-08-E	RSZE1S48M	95.05	SH2B-05
Round Pin Plug In Relays						
 DPDT	D3PF2 (12A)	RR6002** (10A)	MK2PN-I (10A)	RUMC2 (10A)	60.12 (10A)	RJ1 (12A)
Base	D3PA6	RRB083-08R	PF083A-E	RUZC2M	90.20	SJ1
 3PDT	D3PF3 (12A)	RR6003** (10A)	MK3P5N-I (10A)	RUMC3 (10A)	60.13 (10A)	RJ2 (8A)
Base	D3PA7	RRB113-11R	PFT13A-E	RUZC3M	90.21	SJ2
High Current Type Plug In Power Relay						
 DPDT	D8PR7 (25A)	NHE2 (25A)	G7L-2A (25A)	RPF2A (25A)	65.31 (20A)	
Slimline Interface Relays						
 SPDT	XRU1H (10A)		G2RV (6A)	RSB1A+RSZE (16A)	38.51 (6A)	RJ1+SJ1 (12A)
 DPDT	XRU2 (6A)			RSB2A+RSZE (8A)	38.52 (6A)	RJ2+SJ2 (8A)
Latching Round Pin Plug In Relay						
 DPDT	D3PR5 (7A)		MKK-P (5A)			RR2KP (7.5A)
Base	D3PA7		PF113A-E			SR3P05

* Bell Relay ** Rihmberg Relay

Automation and Control

Monitoring Relays



Rhomberg 3-Phase Sequence/Failure/Asymmetry Relays

- Protects Against Phase Imbalance or Asymmetry, Phase Loss or Phase Reversal
- Sensitivity (Nps) Adjustment
- Insensitive To Regenerated Emf
- Loss of Neutral Detection In RSP431

Product Description	Cat. No.	Stock Code	Price \$ ex GST
Ph Fail, Ph Seq, Ph Asy Detection with 1 C/O and LEDs	AP430/*S	S	179.55
Ph Fail, Ph Seq, Ph Asy Detection with 2 C/O and LEDs	AP430/*D	I	193.70
Ph Fail, Ph Seq, Ph Asy Detection 380-415Vac Adjustable 1-10 Sec	P430PD400AS1	S	226.91
Ph Fail, Ph Seq, Ph Asy Detection 380-415Vac Adjustable 1-100 Sec	P430PD400AS2	S	226.91
Ph Fail, Ph Seq, Ph Asy Detection Plug In 1 C/O and LEDs	SP430/*-SP	S	166.91
Ph Fail, Ph Seq, Ph Asy Detection Plug In 2 C/O and LEDs	SP430/*-DP	S	179.55
Ph Fail, Ph Seq, Ph Asy Loss of Neutral Detection Plug In	SP431/*-SP	S	166.91
Ph Fail, Ph Seq Detection Plug In with LEDs	SP433/*-SP	S	158.87
11 Pin DIN Rail Base	S3B	S	166.86

* Specify voltage: 110, 115, 220, 380, 400, 415 and 525Vac

3



Rhomberg Current Relays/Monitors (AC & DC) Single Phase

- 11 Pin Plug In or DIN Rail Mount Relay (with Plug In Terminals)
- 250Vac/10A Relay
- Single Pole and 2 Pole Configuration
- Slimline and Slimline-D Series

Product Description	Cat. No.	Stock Code	Price \$ ex GST
Current Monitor 5 Amp AC/DC Selectable with Time Delay	P100PD*S3	S	274.21
Current Monitor 5 Amp AC/DC Selectable with Time Delay Plug In	SP103/*-SP	S	226.91
Current Monitor For DC Shunt Selectable with Time Delay	P101PD*S3	S	274.21
Current Monitor For DC Shunt Selectable with Time Delay Plug In	SP104/*-SP	S	226.91
Current Window Comparator AC Adjustable with Time Delay	P120PD*S3	S	269.35
Current Window Comparator AC Adjustable with Time Delay Plug In	SP123/*-SP	S	226.91
Single Phase Reverse Power Monitor For AC Current	SP510/**-SP	S	212.87
11 Pin DIN Rail Base	S3B	S	16.69

* Specify voltage: 12, 24Vdc and 24, 110, 240, 415Vac

** Specify voltage: 24, 110, 240, 415Vac



Rhomberg Voltage Monitors (AC & DC) & Frequency Relays

- 11 Pin Plug In or DIN Rail Mount Relay (with Plug In Terminals)
- 250Vac/10A Relay
- Slimline and Slimline-D Series

3

Product Description	Cat. No.	Stock Code	Price \$ ex GST
Voltage Comparator adj delay DPDT 415VAC	AP231/400AD	S	226.91
Overvoltage & undervoltage monitoring relay, 24VDC	AP224/24VDCS	S	236.68
Overvoltage & undervoltage monitoring relay, 240VAC	AP224/240VACS	S	236.68
Voltage Monitor 1-Ph Selectable with Time Delay	P200PD*S3	S	274.21
Voltage Monitor 1-Ph Selectable with Time Delay Plug In	SP201/*-SP	S	204.71
Voltage Window Comparator 1-Ph Selectable with Time Delay	P220PD*S3	I	263.09
Voltage Window Comparator 1-Ph Selectable with Time Delay Plug In	SP221/*-SP	S	214.22
Voltage Window Comparator 3-Ph Selectable with Time Delay	P230PD**S3	S	269.35
Voltage Window Comparator 3-Ph Selectable with Time Delay Plug In	SP231/*-SP	S	223.61
Voltage Window Comparator 3-Ph + N Over and Under	SP232/**-SP	I	223.61
Frequency Monitor Over and Under 50Hz	SP320/*-SP	S	233.28
11 Pin DIN Rail Base	S3B	S	16.69

* Specify voltage: 12, 24Vdc and 24, 110, 240, 415Vac

** Specify voltage: 24, 110, 240, 415Vac



Rhomberg Bases For Monitoring Relays

- Shrouded terminals

Product Description	Cat. No.	Stock Code	Price \$ ex GST
8 Pin DIN Rail Socket / Base	S2B	S	15.30
11 Pin DIN Rail Socket / Base	S3B	S	16.74



Rhomberg Motor/Pump Protection Relays

- Borehole Pump Protection
- Auto-Calibrating
- Overload (Blocking/Closed Valve) Protection
- Underload (Running Dry) Protection with Auto Restart Timer
- Max 4kW Without External CT
- Over & Under Voltage Protection
- Phase Sequence/Failure Monitoring
- Liquid Level Control

Product Description	Cat. No.	Stock Code	Price \$ ex GST
Motor/Pump Protection Relay 240Vac Single Phase	MP820/240AS	S	419.47
Motor/Pump Protection Relay 400-415Vac Three Phase	MP830/415AS	S	464.62

Automation and Control

Monitoring Relays



Rhomberg Control Relays

- Switching Amplifiers, Tacho Relays, Thermistor Relays, Flip Flop Relays,
- Power Supply Modules

Product Description	Cat. No.	Stock Code	Price \$ ex GST
Switching Amplifier/Relay For NAMUR Sensors Plug In	SC300/*-SP	I	170.10
Switching Amplifier/Relay For Three Wire DC Sensors Plug In	SC314/*-SP	I	132.25
Rotational Speed Monitor For NAMUR Sensors 4-20mA Re-Transmit	SC320/*-SP	I	280.42
Tacho Relay For NAMUR Sensors Pulse In 0-1mA Re-Transmit Plug In	SC320/*-SP	S	231.55
Control Relay For Rhomberg Photo Electric Sensors Plug In	SC410/*-SP	I	170.10
Temperature Control Relay For PT-100/Rtd Sensors Plug In	SC501/*-SP	I	236.36
Thermistor Motor Protection Relay Auto Reset Plug In	SC510/*-SP	I	160.70
Thermistor Motor Protection Relay Auto Reset Plug In	SC510/*-DP	I	173.25
Thermistor Motor Protection Relay Test & Reset Buttons Plug In	SC511/*-SP	S	236.30
Flip Flop Relay No Memory Contact Input Plug In	SC610/*-SP	S	118.15
Flip Flop Relay with Memory Contact Input or Sensor Plug In	SC611/*-SP	S	149.69
Multi Function Preselect Counter Plug In	SC700/*-SP	S	309.15
Preset Counter Panel Mount 48x48	CC701/*DSP	I	363.69
Power Supply 250Vac / 24Vac 150mA Unregulated Plug In	SC900/240/24A	I	117.72
Power Supply 250Vac / 24Vdc 120mA Unregulated Plug In	SC900/240/24D	I	132.57
Power Supply 250Vac / 24Vdc 100mA Regulated Plug In	SC900/240/24R	I	161.95
Power Supply 240Vac / 12Vdc 150mA Regulated Plug In	SC900/240/12R	I	161.95
11 Pin DIN Rail Base	S3B	S	16.69

* Specify voltage: 12, 24Vdc and 24, 110, 240, 415Vac

3



Rhomberg Multi-Function DIN Rail & Plug In

- Delayed-ON, Interval, Recycling Functions 22.5mm Size
- 0.2 Sec To 100 Hours
- DPDT Relay (5A Per Contact)

3

Product Description	Cat. No.	Stock Code	Price \$ ex GST
0.2 Sec - 100 Hrs 2 Timed Contacts DIN Rail	AT100/**D	S	166.25
0.2 Sec - 120 Sec 2 Timed Contacts 11 Pin	ST100/**DP	S	163.30
22 Sec - 240 Min 2 Timed Contacts 11 Pin	ST101/**DP	S	163.30
0.2 Sec - 100 Hrs 1 Timed Contact DIN Rail	AT110/*S	S	197.10
0.2 Sec - 120 Sec 2 Timed Contacts 11 Pin (Hold or Pulse Reset NPN)	ST110/**DP	S	191.10
22 Sec - 240 Min 2 Timed Contacts 11 Pin (Hold or Pulse Reset NPN)	ST111/**DP	S	191.10
11 Pin DIN Rail Base (Accepts Retainer Clip with Plug in Timers)	S3B	S	15.45
* Specify voltage: 12, 24Vdc, 24, 110, 240, 415Vac			
** Specify voltage: 30Vdc, 250, 415Vac			



Rhomberg Asymmetrical Recycling DIN Rail & Plug in

- Asymmetrical Recycling - ON or OFF Cycle First
- DPDT Relay (5A Per Contact)
- DIN Rail and Plug in 22.5mm Size

Product Description	Cat. No.	Stock Code	Price \$ ex GST
0.2 Sec - 240 Min 2 Timed Contacts DIN Rail	AT200/**D	S	197.10
T1 = 0 - 120s, T2 = 0 - 120s 2 Timed Contacts 11 Pin	ST200/**DP	I	259.70
T1 = 0 - 120s, T2 = 22s - 240m 2 Timed Contacts 11 Pin	ST201/**DP	I	259.70
T1 = 22s - 240m, T2 = 22s - 240m 2 Timed Contacts 11 Pin	ST202/**DP	S	189.55
T1 = 22s - 240m, T2 = 0 - 120s 2 Timed Contacts 11 Pin	ST203/**DP	I	259.70
Multi Function Type 0.2 Sec - 120 Sec 1 Timed Contact 11 Pin	ST210/*SP	I	259.70
11 Pin DIN Rail Base (Accepts Retainer Clip with Plug in Timers)	S3B	S	15.45
* Specify voltage: 12, 24Vdc and 24, 110, 240, 415Vac			
** Specify voltage: 30Vdc and 250, 415Vac			



Rhomberg Special Function Timers

- No Power Delayed OFF Functions - True OFF Delay
- Multi start attempt timer for repeated starting attempts of standby generator sets with start failure alarm output
- Slim Housing (22.5mm)

Product Description	Cat. No.	Stock Code	Price \$ ex GST
0.2 Sec - 120 Sec No Power Delay OFF Timer 1 Timed Contact 11 Pin	ST300/*SP	I	196.99
22 Sec - 240 Min No Power Delay OFF Timer 1 Timed Contact 11 Pin	ST301/*SP	I	283.50
Multi Start Attempt Timer 1 C/O	AT500/*S	I	189.05
11 Pin DIN Rail Base (Accepts Retainer Clip with Timer)	S3B	S	16.69

* Specify voltage: 12, 24Vdc and 24, 110, 240, 415Vac

Discount Schedule B57



Rhomberg Star Delta Timers

- Star Time Adjustable up to 60 Sec (30 Sec Max Adjustment Available on Request)
- Pause Time 75msec (50msec Available On Request)
- Relay Rests in "Centre-Off" Position During Pause and Power OFF State
- 5A Relay Output

Product Description	Cat. No.	Stock Code	Price \$ ex GST
Star Time Adjustable Pause Time 75msec Fixed 1 C/O DIN Rail	AT130/*AS	S	207.74
Star Time Adjustable Pause Time 75msec Fixed 1 C/O Plug in	ST130/*-SP	S	220.48
11 Pin DIN Rail Base (Accepts Retainer Clip with St310)	S3B	S	16.69

* Specify voltage: 110, 240, 415Vac

Discount Schedule B57

Eaton TRL 18mm DIN Timers



- Slim 18mm DIN rail mount timers
- Timing range 50 msec to 100 hours
- Changeover output contact rated 8A, 240VAC
- Universal supply voltage 12V-240V AC/DC for TRL07 & TRLPG 24V-240V AC/DC for TRL04
- 3 modular timers offering 9 different modes/functions
- LED status indicators on front
- Staggered connection terminals allow easy access
- Recessed adjustment buttons avoid unintentional setting changes
- Complies with IEC61000 & 61812 international standards

Product Description	Cat. No.	Stock Code	Price \$ ex GST
18mm DIN Multifunction Timer - 4 modes	TRL04	S	135.00
18mm DIN Multifunction Timer - 7 modes	TRL07	S	162.00
18mm DIN Asymmetrical Pulse Generator - 2 modes	TRLPG	S	175.00
Timer S1DXMA Power On Delay 0.20S to 30m 2	TRNB24AD	I	105.84
Timer On Delay 1s - 500h 2 Time 8 PIN 24V ac/dc	TRNP24AD	S	164.59
Timer On Delay 1s - 500h 2 Time 8 PIN 240V ac	TRNP24OAC	S	164.59
Timer 8 Mode 1s-500h 2 time 11 PIN 24V ac/dc	TRFP24AD	S	164.59
Timer 8 Mode 1s-500h 2 time 11 PIN 240V ac	TRFP24OAC	S	164.59
Timer Battery Powered LCD Time Control 48x48mm	E5-248-C1420	S	446.26
Multifunction Timer 7 mode 48 x 48 mm Panel or DIN mount	E42A24M	S	135.00

Discount Schedule C11

Automation and Control

Time Switches



Powering Business Worldwide



Eaton Time switches

- Analogue synchronous or digital types
- With or without battery backup
- Standard DIN rail mountable
- Daily/weekly/yearly time switches
- Daylight saving feature
- Easy to program, plain english menu
- 16A AC-1, 240V AC changeover contact
- 1, 2 or 4 channel models
- Pulse output option, for school bells
- Clock dial or 18mm wide, captive pins
- Replacement batteries available

3

Product Description	Cat. No.	Stock Code	Price \$ ex GST
Analogue timeswitches (day/week program)			
Analogue timeswitch, clock dial, 24 hr, 1 ch, captive pins	TAD1NC	S	81.00
Analogue timeswitch, slim 18mm module, 24 hr, 1 ch	TAD1NCs	S	70.20
Analogue timeswitch, clock dial, 7 day, battery backup, 1ch, tappets	TAW1	I	124.20
Analogue timeswitch, clock dial, 24 hr, battery backup, 1 ch, captive pins	TAD1	I	135.00
Analogue timeswitch, slim 18mm module, 24 hr, battery backup, 1 ch	TAD1S	I	151.20
Analogue timeswitch, slim 18mm module, 7 day, battery backup, 1 ch	TAW1S	I	162.00
Analogue Timeswitch Dial, 24 Hr, 1 Ch	TAD1NCQA	S	81.65
Analogue Timeswitch Dial, 24 Hr, 7 day, 1 Ch	TADW1NCQA	S	99.14
Analogue Timeswitch Dial Quartz, 24Hr, 7 day 1ch	TADW1QA	S	215.78
Digital Timeswitches (week program)			
Digital timeswitch, 35mm wide, 7 day, 28 mem, battery backup, 1 ch	TDW1	S	162.00
Digital timeswitch, 18mm wide, 7 day, 28 mem, battery backup, 1 ch	TDW1S	S	129.60
Digital timeswitch, 35mm wide, 7 day, 42 mem, battery backup, 2 ch	TDW2	S	214.92
Digital timeswitch, 35mm, 7 day, 42 mem, battery, pulse/cycle, 2 ch	TDW2E	S	232.20
Digital Timeswitches (year program)			
Digital timeswitch, 105mm, 365 day, 324 mem, pulse, battery, 2 ch	TDY2	S	534.60
Same as TDY2 digital timeswitch, but with radio control capability	TDY2E	I	594.00
Digital timeswitch, 105mm, 365 day, 324 mem, pulse, battery, 4 ch	TDY4	I	642.60
Same as TDY4 digital timeswitch, but with radio control capability	TDY4E	I	702.00
Twilight switches (DIN mount control unit + remote sensor)			
Twilight switch, adjustable sensitivity 2-100 lux, 1 ch	TSM1S	I	162.00
Twilight switch, adjustable sensitivity 2-200 lux, 1 ch	TSM1	I	189.00
Twilight switch, adjustable sensitivity 2-2000 lux, 1 ch	TSM1E	I	243.00
Twilight switch, adjustable sensitivity 2-7500 lux, 2 ch	TSM2	I	405.00
Combined timeswitch & twilight switch (DIN mount + remote sensor)			
Digital timeswitch, 7 day, sensor adjustable sensitivity 2-2000 lux	TSMC1	I	351.00

Automation and Control

Time Switches

Eaton Time Switch Accessories

Product Description	Cat. No.		Price \$ ex GST
Battery for TDY2, TDY2E, TDY4, TDY4E timeswitches	TBAT1	S	21.60
Battery for TAD1, TAW1 timeswitches	TBAT2	I	21.60
Battery for TDW1S timeswitches	TBAT3	S	21.60
Battery for TDW1, TDW2, TDW2E timeswitches	TBAT4	S	37.80
Battery for TAD1S, TAW1S timeswitches	TBAT5	I	21.60
Power supply for DCF antenna (TDY2E & TDY4E)	TDCFMU	I	108.00
Antenna for radio control DCF reception	TDCFANT	I	297.00
Programming software & adapter cable	TPROG	S	162.00
Memory card	TMEMO	S	48.60
Light sensor, built-in type (TSM1S, TSM1, TSM1E, TSMC1)	TSENS	I	81.00
Light sensor, surface-mount type (TSM1S, TSM1, TSM1E, TSMC1)	TSENS1	I	81.00
Light sensor, surface-mount type (TSM2 only)	TSENS2	I	81.00
Terminal cover, for all 18mm timeswitches & twilight switches	TCV1	S	16.20
Terminal cover, for all 35mm timeswitches & twilight switches	TCV2	S	21.60
Terminal cover, for all 54mm analog clock dial timeswitches	TCV3	S	27.00
Terminal cover, for all 54mm twilight switches	TCV4	I	27.00
Terminal cover, for all 72mm twilight switches	TCV5	I	32.40
Terminal cover, for all 105mm timeswitches & twilight switches	TCV6	S	37.80
Staircase light timeswitches			
Analogue staircase light timeswitch, 0.5-20 min, override function	TE7	I	102.60
Analogue staircase light timeswitch, 0.5-20 min, multifunction	TE1	I	135.00

E40 Totalizer



- 8-digit, LCD display, 0.28" high characters
- 10 kHz max count input frequency
- Uni-directional and bi-directional models
- High voltage pulse and quadrature adaptor accessories
- Front panel and remote reset capability
- Lithium battery (10 year typical life), non-replaceable
- Battery included
- Uni-directional and bi-directional models
- NEMA 4 front panel
- CE marked

3

Product Description	Cat. No.	Stock Code	Price \$ ex GST
Totalizer, uni-directional	E402400	I	151.74
Totalizer, bi-directional	E402410	S	182.03
Terminal adaptor	E40TERM	I	54.65
Adaptor for 5-240 VAC/VDC pulses	E40VOLTC	I	84.94
Quadrature adaptor for E402410	E40QUAD	I	139.59

(To be used with quadrature encoders with 2 channels, each with pulses 90° out of phase from each other)

E41 Preset Counter



- Battery Powered, 2 Line LCD
- 6-digit, LCD display
- 8.5mm high digits
- 1 Preset
- Output: SPST 8A 260 VAC 2A 30 VDC
- Removable screw terminals
- 2 replaceable 1/2AA 3V Lithium batteries
- Battery included
- NEMA 4/IP65
- CE marked

Product Description	Cat. No.	Stock Code	Price \$ ex GST
Preset Counter/Timer-Single Preset LCD / battery powered	E4148790	S	358.02
48 X 48 LCD Preset Counter/Timer-Single Preset LCD	E4148793	I	770.09
48 X 48 LCD 2 Preset Counter or 1 preset w/Batch	E4148794	I	851.09

(One preset is batch preset. Second preset is cyclic repeating preset.

The batch preset determines number of cycles to be counted)

Automation and Control

Durant Counters and Totalizers



Eclipse Series - Counter and Digital Panel Meter

- Counter, tachometer, voltage, current, process values, temperature
- Large LCD display, 14 mm high 7 segment digits
- Simple programming via front panel keys
- High form of protection, IP 65/NEMA 4X
- CE, UL and cUL approved

5770A-4BC

For complete catalogue number, replace A, B, C according to the table below

Example:

Counter, AC power supply with relay output will be 57701-481
Weight ca 430 g

Supply voltage replace "A" with:

0 = 9-30 VDC
1 = 85-265 VAC

Input signal replace "B" with:

0 = DC voltage
1 = AC voltage, RMS
2 = DC current
3 = AC current RMS
4 = 5A AC RMS
5 = 4-20 mA/0-10V/0-5V
6 = Temperature
7 = Tachometer
8 = Counter

Output signal replace "C" with:

0 = No output signal
1 = Relay
2 = 4-20 mA/0-10 V
3 = Relay + 4-20 mA/0-10V
4 = Serial RS485
5 = Relay + RS485
6 = 4-20 mA/0-10V + RS485
7 = Relay + 4-20 mA/0-10 V + RS485

Product Description	Cat No.	Stock Code	Price \$ ex GST
Eclipse Rate Meter 85-265Vac	57701-470	I	593.30



Ambassador Series Counters and Tachometers

- Red or Green LCD backlit display, 2x8 digits, 7,6 mm high
- Totalizing Counter
- Preset counter, 1, 2 or 4 presets
- Tachometer
- 2 change-over output contacts
- RS 485 output
- 68x68 mm panel cut-out
- CE, UL, CSA approved

Product Description	Cat. No.	Stock Code	Price \$ ex GST
10-15 VDC, 2 line, LCD green display, Totalizer, 8 digits, scaler, rate, prog. decimal	57600-400	I	964.71
10-15 VDC, 2 line, LCD green display, Single Preset, 6 digits, scaler, rate, prog. decimal	57600-401	I	1,207.39
10-15 VDC, 2 line, LCD green display, Single Preset, Batch, Totalizer, 6/8 digits, scaler, rate, prog. decimal	57600-402	I	1,207.39
10-15 VDC, 2 line, LCD green display, Dual Preset, 6 digits, scaler, rate, prog. decimal	57600-403	I	1,207.39
10-15 VDC, 2 line, LCD green display, Four Preset, Batch, Totalizer, 6/8 digits, scaler, rate, prog. decimal	57600-405	I	1,207.39
230 VAC, 2 line, LCD green display, Totalizer, 8 digits, scaler, rate, prog. decimal	57602-400	I	1,085.94
230 VAC, 2 line, LCD green display, Four Preset, Batch, Totalizer, 6/8 digits, scaler, rate, prog. decimal	57602-405	I	1,334.72

Automation and Control

Durant Counters and Totalizers



ME Electromechanical Totalisers

- Predetermined Counters
- 5-digit
- Various mounting configurations
- AC or DC voltages
- 1000 CPM

Number of digits	Power Supply	Reset	Cat. No. Panel mount	Stock Code	Price \$ ex GST
4	24 VDC	Key	4Y41314402MEQ	I	133.49
4	120 VAC	Key	4Y41314406MEQ	I	133.49
4	240 VAC	Key	4Y41314407MEQ	S	133.49
6	24 VDC	None	6Y41346402ME	I	91.10
6	120 VAC	None	6Y41346406ME	I	91.10
6	240 VAC	None	6Y41346407ME	S	91.10
7	24 VDC	None	7Y41349402ME	I	115.29
7	120 VAC	None	7Y41349406ME	I	115.29
7	240 VDC	None	7Y41349407ME	S	115.29

For other models in the Eclipse Series, please contact your nearest Eaton Branch.



E42 Hour Meters

- Display Type: Round & Rectangular: LCD, 6 digits
- AC/DC powered
- 6-digit 5mm LCD
- NEMA 12
- EEPROM memory



Product Description	Cat. No.	Stock Code	Price \$ ex GST
Round, 48-150 VDC/100-230 VAC	E42DIR48230	S	127.49
Round, 48-150 VDC/100-230 VAC, reset	E42DIR48230R	I	145.64
Round, 12-48 VDC/20-60 VAC	E42DIR1260	S	127.49
Round, 12-48 VDC/20-60 VAC, reset	E42DIR1260R	I	145.64
Rectangular, 48-150 VDC/100-230 VAC	E42DI2448230	S	127.49
Rectangular, 48-150 VDC/100-230 VAC, reset	E42DI2448230R	I	145.64
Rectangular, 12-48 VDC/20-60 VAC	E42DI241260	S	127.49
Rectangular, 12-48 VDC/20-60 VAC, reset	E42DI241260R	I	145.64

Courier Series Totalizers and Tachometers



- LCD display, 8 digits, 11 mm high
- Totalizer, up/down counting
- Tachometer
- 68x35 mm panel cut-out
- CE, UL approved

Product Description	Cat. No.	Stock Code	Price \$ ex GST
Count, Scale, Prog. Decimal, Add / Subtract (Solid State Input)	53300-401	I	285.12
Count, Scale, Prog. Decimal, Add / Subtract (Contact Input)	53300-402	I	285.12
Count, Scale, Prog. Decimal, Backlight, Add / Subtract (Solid State Input)	53302-401	I	333.72
Count, Scale, Prog. Decimal, Backlight, Add / Subtract (Contact Input)	53302-402	I	333.72

President Series Counters and Tachometers



- LED display, 5-8 digits, 14 mm high
- Totalizing Counter
- Preset counter, 1, 2 or 3 presets
- Tachometer
- Relay or transistor output
- 138x45/138x68 mm panel cut-out
- CE approved

3

Product Description	Cat. No.	Stock Code	Price \$ ex GST
Totalizer, Rate, 7 Digits, 230Vac Only, No Communication	57810-401	I	910.01
Totalizer, 8 Digits, May be Reset to Zero or an Offset value	5881-0400	I	1,416.26
1 Main Counter, Single Preset, 5 Digits	5882-0400	I	1,207.39
1 Main Counter, Single Preset, Scaler, 5 Digits	5882-1400	I	1,207.39
1 Main Counter, Dual Preset, Scaler, 5 Digits	5883-1400	I	1,416.26
Totalizer, Batch Counter, 3 Main Counters, 1 each reg Preset, Rate, Scaler, 6 Digits	58827-400	I	1,607.74
Batch Counter, 1 Main Counter, Dual Presets, rate, scaler, 6 Digits-High speed Count Control-30 KHz Max	58867-400	I	1,416.26

E42 Multifunction Chronometer



- LCD display, 2x8 digits, 8,5/4,5 mm high
- Multifunction chronometer
- NO or NC output contact, programmable
- 45x45 mm panel cut-out
- CE, UL approved

Product Description	Cat. No.	Stock Code	Price \$ ex GST
Time Relay with Single preset, panel Mount Multifunction	E42DP50	I	297.32

Automation and Control

Water Pump Pressure Switches and Float Switches



Powering Business Worldwide

Eaton CHWPS water pump pressure switches



- Suitable for all water pumps: submersible, jet, reciprocating, etc
- Available in 20-40, 30-50 and 40-60 psi models
- Diaphragm-actuated contacts
- Adjustable cut-in and cut-out pressures
- Easy wiring and corrosion resistant
- Ideal for pump OEM applications
- Rated 1-ph 230V, 2.0 HP, 12A
- Removable cover, ample wiring space

3

Product Description	Cat. No.	Stock Code	Price \$ ex GST
20-40 psi pressure switch	CHWPS2040D	S	38.02
30-50 psi pressure switch	CHWPS3050D	S	38.02
40-60 psi pressure switch	CHWPS4060D	S	38.02
20-40 psi pressure switch c/w pulsation plug	CHWPS2040DP	S	44.12
20-40 psi pressure switch c/w low pressure cut-off	CHWPS2040DL	S	44.12
30-50 psi pressure switch c/w low pressure cut-off	CHWPS3050DL	I	44.12

Discount Schedule C13

Riko Float Switches



- Stainless and Plastic Type Floats
- Horizontal and Vertical Types
- Multiple Level Switches
- Suitable For 240Vac

Product Description	Cat. No.	Stock Code	Price \$ ex GST
Riko Float 316ss For RFS2-2	FLOAT316SS	S	41.20
Riko Float 316ss For RFS-6	FLOAT50MM316	S	81.54
MFS-10-N-1 Riko Float Switch	MFS10N1	S	49.90
MFS-10-N-2 Riko Float Switch	MFS10N2	S	49.90
MFS-17-A-2 Riko Float Switch	MFS17A2	S	42.55
MFS-17-A-2 Float Switch with P/P Clip	MFS17A2PPC	I	42.55
MFS-17-B-2 Riko Float Switch	MFS17B2	S	42.55
MFS-17-C-2 Riko Float Switch	MFS17C2	S	45.47
Mf3-17-C-2 Riko Float Switch	MFS17D2	S	42.55
MFS-21-E-2 Riko Float Switch	MFS21E2	S	61.45
MFS-9-N-1 Riko Float Switch	MFS9N1	S	49.90
MFS-9-N-2 Riko Float Switch	MFS9N2	I	49.90
RFS-11-A-2 Riko Float Switch	RFS11A2	I	135.05
RFS-12-1 Riko Float Switch	RFS121	I	135.05
RFS-12-2 Riko Float Switch	RFS122	S	135.05
RFS-2-2 Riko Float Switch	RFS22	S	85.37
RFS-2a-2 Riko Float Switch	RFS2A2	S	77.81
RFS-4-2 Riko Float Switch	RFS42	S	154.22
RFS-6-2 Riko Float Switch	RFS62	S	285.44

Automation and Control

DC Power Supplies



Eaton PSG range of DC Power Supplies

- DIN rail mountable, all mounting hardware supplied
- Industrial application, range includes 60 to 480 watts, 2.5 to 20A
- 1-phase Input 85 to 264V AC, 22-28V DC adj Output
- 3-phase Input 350 to 575V AC, 22-28V DC adj Output
- Wide operating temp -20 to +75 degrees Celsius
- Transient surge voltage protection
- Certified to IEC, CE, UL; RoHS compliant
- Green operation LED for DC OK
- MTBF in excess of 800,000 hours
- Screw terminal type connections

Product Description	Cat. No.	Stock Code	Price \$ ex GST
Single-phase AC input type			
Power Supply 85-264VAC Input, 24VDC, 2.5A Output, 60	PSG60E	S	150.00
Power Supply 85-264VAC Input, 24VDC, 5A Output, 120W	PSG120E	S	225.00
Power Supply 85-264VAC Input, 24VDC, 10A Output, 240W	PSG240E	S	350.00
Power Supply 85-264VAC Input, 24VDC, 20A Output, 480W	PSG480E	S	595.00
Three-phase AC input type			
Power Supply 350-575VAC Input, 24VDC, 2.5A Output, 60W	PSG60F	I	195.00
Power Supply 350-575VAC Input, 24VDC, 5A Output, 120W	PSG120F	S	275.00
Power Supply 350-575VAC Input, 24VDC, 10A Output, 240W	PSG240F	I	450.00
Power Supply 350-575VAC Input, 24VDC, 20A Output, 480W	PSG480F	S	650.00

Discount Schedule B13



Rhomberg Liquid Level Controllers

- Level Control of Conductive Liquids - Relay & Probes
- Level Control of Non-Conductive Liquids or Granular Materials
- Relay For Use with Capacitive Proximity Switches

Product Description	Cat. No.	Stock Code	Price \$ ex GST
Level Relay For Resistive Sensors Single Point Control Plug In	SC100/**ACS	S	123.60
Level Relay Single Pt High / Low C/W Drain Function 1 C/O	AC130/**S	S	154.71
Level Relay Single Pt High / Low C/W Drain Function 2 C/O	AC130/**D	S	166.37
Level Relay Single Pt High / Low C/W Drain Function 1 C/O Plug In	SC130/**S	S	144.40
Level Relay Single Pt High / Low C/W Drain Function 2 C/O Plug In	SC130/**D	S	154.71
Level Relay Non Conductive Type Single Pt High / Low 1 C/O Plug In	SC230/**SP	S	197.32
11 Pin DIN Rail Base	S3B	S	16.69

Accessories

Probe Holder with Screw Cap Incl 3 X 1 MTR Coated SS316 Rods	CP3C	S	165.02
Probe Holder with Screw Cap Incl 2 X 1 MTR Coated SS316 Rods	CP2C	I	128.63
Probe Holder with Screw Cap Incl 1 X 1 MTR Coated SS316 Rods	CP1C	I	92.23
Extension Rods 1 MTR Male / Female	EP1/CEXT	S	26.19

* Specify voltage: 12, 24Vdc and 24, 110, 240, 415Vac

** Specify voltage: 24, 110, 240, 415Vac



Eaton TC Series Temperature Controllers

- TC series panel-mount: 24 x 48, 48 x 48 and 96 x 48 sizes
- Universal input: J, K, T, E, B, R, S, N, L thermocouples or Pt100 RTD
- Outputs available: relay, alarm, SSR, analog
- Supply options: 90-250V AC or 11-26V AC/DC
- Advanced fuzzy logic PID minimises overshoot/undershoot & allows quick accurate response
- Fast sampling rate up to 5 times per second ensures accuracy in fast processes
- Standard IP65 front panel (TC48) suitable for washdown environments
- Sensor break detection feature (thermocouple/RTD open, RTD short)
- Two bright easy-to-read 4-digit LED displays for process value & set value
- Heat/cool control, dwell timer function available

3

Product Description	Cat. No.	Stock Code	Price \$ ex GST
24 x 48 size			
Temp Ctrl, 24 x 48mm, 2 Relay Out, 90 – 250V AC	TC24411100	S	250.00
Temp Ctrl, 24 x 48mm, SSR Driver/Relay Out, 90 – 250V AC	TC24412100	I	250.00
Temp Ctrl, 24 x 48mm, 2 Relay Out, 11 – 26V AC/DC	TC24511100	I	275.00
Temp Ctrl, 24 x 48mm, Analog Out, Relay Alarm, 90 – 250V AC	TC24413100	I	275.00
Process Cntrl, 24 x 48mm, Analog/Relay Out, 90 – 250V AC	PC24463100	I	275.00
48 x 48 size			
Temp Ctrl, 48 x 48mm, 1 Relay Out, Relay Alarm, 90 – 250V AC	TC484110101	S	295.00
Temp Ctrl, 48 x 48mm, SSR Driver Out, 90 – 250V AC	TC484120001	S	295.00
Temp Ctrl, 48 x 48mm, SSR Driver Out, Relay Alarm, 90 – 250V AC	TC484120101	S	295.00
Temp Ctrl, 48 x 48mm, Analog Out, Relay Alarm, 90 – 250V AC	TC484130101	I	325.00
Temp Ctrl, 48 x 48mm, 1 Relay Out, Relay Alarm, 11 – 26V AC/DC	TC485110101	I	295.00
96 x 48 size			
Temp Ctrl, 96 x 48mm, 1 Relay Out, Relay Alarm, 90 – 250V AC	TC964110100	S	350.00

Conta-Clip Screw Connection Terminals

Easy, Safe and Dependable



CONTA-CLIP - For years this name has stood for innovative high quality, with its wide range of diverse electrical connection technology products.

All of the insulating materials used by Conta-Clip, as well as any colour pigments used, are free of asbestos, phosphorus, cadmium, and halogens. The resistance to micro-organisms, bacteria, and termites is also good. In addition, the polyamides have excellent resistance to UV light and a high resistance to ageing.

All metal parts are subjected to continuous quality monitoring. The coordinated combination of materials and the surface quality of the metal parts guarantee perfect electrical connections.

Conta-Clip: Connections you can rely on!

For further information:
1300 332 866
www.eatonelectric.com.au

EAT•N

Powering Business Worldwide

Automation and Control

Feed-Through Connection Terminals

(suitable for 35mm DIN Rail and 32mm G Rail)



Powering Business Worldwide

Type:

2.5mm

Current: 26 amps - 750V / 24 amps - 800V

Width / Strip Length / Screw 5mm / 7mm / M2.5

Cable: 0.2mm-2.5mm stranded / 0.2mm-4mm solid

Description	Order No.	Reference	Price \$	Pack Qty.
2.5mm terminal beige	RK2.5PA	1296.	2.67	100
2.5mm terminal beige 10P	KBL2.5PA	1297.2	22.90	10
End plate beige	AP2.5-10PA	2001.2	1.62	50
Partition beige	TW2.5-10PA	2002.2	2.27	50

2.5mm terminal red	RK2.5PAR	1296.9	2.59	100
End plate red	AP2.5-10PAR	2001.9	1.73	50
2.5mm terminal white	RK2.5PAW	1296.7	2.59	100
End plate white	AP2.5-10PAW	2001.7	1.73	50
2.5mm terminal blue	RK2.5PAB	1296.5	2.59	100
End plate Blue	AP2.5-10PAB	2001.5	1.73	10
Partition blue	TW2.5-10PAB	2002.5	2.27	10

Other colours available on request.

Cross Connection 2P bare	Q22.5	2567.0	2.81	50
--------------------------	-------	--------	------	----

Cross Connection 3P bare	Q32.5	2568.0	4.21	50
--------------------------	-------	--------	------	----

Cross Connection 10P bare	Q102.5	2570.0	11.56	10
---------------------------	--------	--------	-------	----

Cross Connection 100P bare	Q0.5m	2152.0	71.39	10
----------------------------	-------	--------	-------	----

Cover (60mm)	ADQ	2499.0	2.59	20
--------------	-----	--------	------	----

External jumper insulated 10P	AQI10/5/15	2029.0	4.21	10
-------------------------------	------------	--------	------	----

Separator	TRS3PA	2566.2	1.30	100
-----------	--------	--------	------	-----

Test Socket	STB8.5/2.3	2075.0	1.40	50
-------------	------------	--------	------	----

Test Plug	PS2.3	2007.0	8.64	20
-----------	-------	--------	------	----

Note: for mounting rails refer to accessories section.

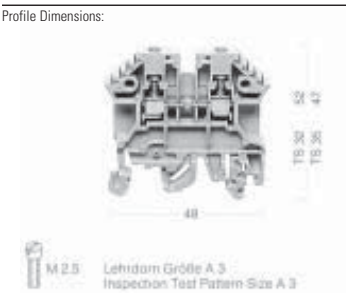
End clamp Economy TS35	ES35PA	2005.2	2.05	50
------------------------	--------	--------	------	----

End clamp TS35 (9.5mm)	ES35SKT	2828.0	5.72	50
------------------------	---------	--------	------	----

End clamp metal TS35 (11mm)	HES35ST	2761.9	7.24	50
-----------------------------	---------	--------	------	----

or marking systems refer Pages 3-107 & 3-108

Profile Dimensions:



4mm

34 amps - 750V / 32 amps - 800V

6mm / 12mm / M3

0.2mm-4mm stranded / 0.2mm-6mm solid

Stock Code S

Description	Order No.	Reference	Price \$	Pack Qty.
4mm terminal beige	RK2.5-4PA	1001.2	2.59	100
4mm terminal beige 10P	KBL2.5-4PA	1002.2	24.41	(i)* 10
End section beige	AP2.5-10PA	2001.2	1.62	10
Partition beige	TW2.5-10PA	2002.2	2.27	10

4mm terminal red	RK2.5-4PAR	1001.9	2.81	100
------------------	------------	--------	------	-----

End plate red	AP2.5-10PAR	2001.9	1.73	50
---------------	-------------	--------	------	----

4mm terminal white	RK2.5-4PAW	1001.7	2.81	100
--------------------	------------	--------	------	-----

End plate white	AP2.5-10PAW	2001.7	1.73	50
-----------------	-------------	--------	------	----

4mm terminal blue	RK2.5-4PAB	1001.5	2.81	100
-------------------	------------	--------	------	-----

End plate Blue	AP2.5-10PAB	2001.5	1.73	10
----------------	-------------	--------	------	----

Partition blue	TW2.5-10PAB	2002.5	2.27	10
----------------	-------------	--------	------	----

Cross Connection 2P insul.	QI24	2740.2	2.81	50
----------------------------	------	--------	------	----

Cross Connection 3P insul.	QI34	2741.2	4.75	50
----------------------------	------	--------	------	----

Cross Connection 10P insul.	QI104	2743.2	12.85	10
-----------------------------	-------	--------	-------	----

Cross Connection 83P bare	Q0.5m4	2153.0	71.39	10
---------------------------	--------	--------	-------	----

Cover (60mm)	ADQ	2499.0	2.59	20
--------------	-----	--------	------	----

External jumper insulated 10P	AQI10/6/17	2143.0	7.24	10
-------------------------------	------------	--------	------	----

External jumper insulated 75P	AQI75/6/17	2480.0	21.60	10
-------------------------------	------------	--------	-------	----

Separator	TRS1PA	2003.2	1.40	100
-----------	--------	--------	------	-----

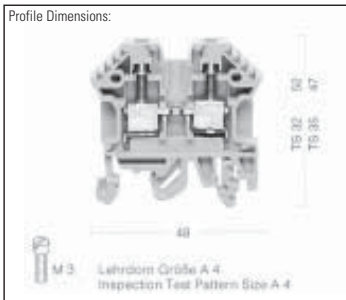
Test Socket	STB14/2.3	2006.0	1.40	50
-------------	-----------	--------	------	----

Test Plug	PS2.3	2007.0	8.64	20
-----------	-------	--------	------	----

All Items are listed as Stock Code S unless specified by *

All prices lists are ex GST.

Profile Dimensions:



Automation and Control

Feed-Through Connection Terminals

(suitable for 35mm DIN Rail and 32mm G Rail)

Type: **10mm**
 Current: 61 amps - 750V / 57 amps - 800V
 Width / Strip Length / Screw 8mm / 12mm / M4
 Cable: 0.2mm-10mm stranded / 0.2mm -10mm solid

16mm
 82 amps - 750V / 76 amps - 800V
 12mm / 15mm / M5
 2.5mm-16mm stranded / 2.5mm-25mm solid

Stock Code S

Description	Order No.	Reference	Price \$	Pack Qty.
10mm terminal beige	RK6-10PA	1005.2	4.32	100
10mm terminal beige 10P	KBL6-10PA	1006.2	44.39	(i)* 10
End plate beige	AP2.5-10PA	2001.2	1.62	50
Partition beige	TW2.5-10PA	2002.2	2.27	50

Description	Order No.	Reference	Price \$	Pack Qty.
16mm terminal beige	RK16PA	1050.2	7.24	50
End plate beige	AP16PA	2104.2	2.81	20
Partition beige	TW16PA	2105.2	2.81	20

10mm terminal red	RK6-10PAR	1005.9	5.08	100
End plate red	AP2.5-10PAW	2001.9	1.73	50
10mm terminal white	RK6-10PAW	1005.7	5.08	100
End plate white	AP2.5-10PAR	2001.7	1.73	50
6mm terminal blue	RK6-10PAB	1005.5	5.08	100
End plate Blue	AP2.5-10PAB	2001.5	1.73	10
Partition blue	TW2.5-10PAB	2002.5	2.27	10

16mm terminal blue	RK16PAB	1050.5	8.64	100
End plate Blue	AP16PAB	2104.5	3.13	10
Partition blue	TW16PAB	2105.5	3.13	10

Other colours available on request.

Cross Connection 2P insul.	QI210	2750.2	4.21	50
----------------------------	-------	--------	------	----

Cross Connection 2P bare	Q.216	2112.0	4.47	50
--------------------------	-------	--------	------	----

Cross Connection 3P insul.	QI310	2751.2	7.24	50
----------------------------	-------	--------	------	----

Cross Connection 3P bare	Q.316	2113.0	6.80	50
--------------------------	-------	--------	------	----

Cross Connection 10P bare	QI1010	2753.2	17.06	10
---------------------------	--------	--------	-------	----

Cross Connection 10P bare	Q.1016	2115.0	19.98	10
---------------------------	--------	--------	-------	----

Cover s (60mm)	ADQ	2499.0	2.59	20
----------------	-----	--------	------	----

Cover 1P	AD1/12	2819.0	3.67	20
----------	--------	--------	------	----

External jumper insulated 2P	AQI2/8/11	2067.0	1.73	50
------------------------------	-----------	--------	------	----

External jumper insulated 3P	AQI3/8/11	2068.0	2.81	50
------------------------------	-----------	--------	------	----

Separator	TRS1PA	2003.2	1.40	100
-----------	--------	--------	------	-----

Test Socket	STB14/4	2050.0	1.40	50
-------------	---------	--------	------	----

Test Plug	PS4	2051.0	8.64	20
-----------	-----	--------	------	----

Note: for mounting rails refer to accessories section.

End clamp Economy TS35	ES35PA	2005.2	2.05	50
------------------------	--------	--------	------	----

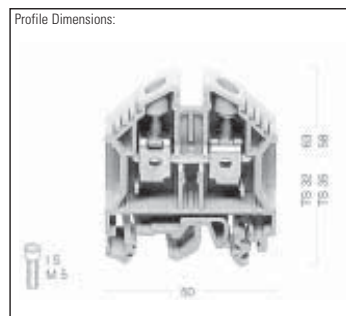
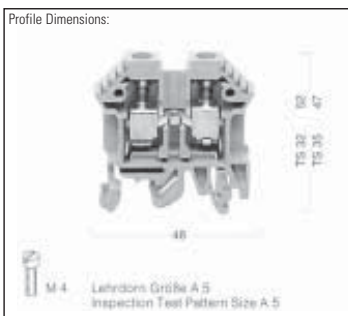
End clamp TS35 (9.5mm)	ES35KST	2828.0	5.72	50
------------------------	---------	--------	------	----

End clamp metal TS35 (11mm)	HES35ST	2761.9	7.24	50
-----------------------------	---------	--------	------	----

For marking systems refer Pages 3-107 & 3-108

All prices lists are ex GST.

All Items are listed as Stock Code S unless specified by *



Automation and Control

Feed-Through Connection Terminals

(suitable for 35mm DIN Rail and 32mm G Rail)

Type:

35mm

Current: 135 amps - 750V / 125 amps - 800V

Width / Strip Length / Screw. 16mm / 20mm / M5 all.

Cable: 2.5mm-35mm stranded / 2.5mm -50mm solid

50mm

168 amps - 1000V

20mm / 27mm / M8 all.

25mm-50mm stranded / 16mm-50mm solid

Stock Code S

Description	Order No.	Reference	Price \$	Pack Qty
35mm terminal beige	RK35PA	1494.2	14.36	20
End plate beige	AP35PA	2116.2	3.13	20
Partition beige	TW35PA	2117.2	4.21	20
35mm terminal blue	RK35PAB	1494.5	14.36	20
End plate Blue	AP35PAB	2116.5	3.13	20
Partition blue	TW35PAB	2117.5	4.21	20

Description	Order No.	Reference	Price \$	Pack Qty
50mm terminal beige	RK50PA	1120.2	35.75	20
End plate beige	Not Required.			
Partition grey	Not Required.			
35mm terminal blue	RK50PAB	1120.5	40.18	20
End section Blue	Not Required.			

Cross Connection 2P bare	Q.235	2164.0	5.72	20
Cross Connection 3P bare	Q.335	2165.0	7.24	20
Cross Connection 10P bare	Q.1035	2167.0	21.60	10
Cover 1P	AD1/16	2820.0	2.81	20
Test Socket	STB16/4	2127.0	3.67	50
Test Plug	PS4	2051.0	8.64	20

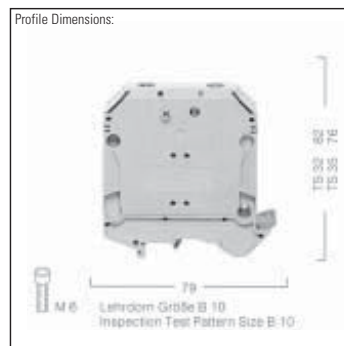
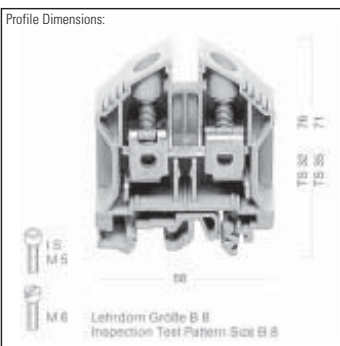
Cross Connection 2P insul.	AQI250	2763.2	21.60	5
Cross Connection 3P bare	AQI350	2764.2	22.90	5
Warning Tag	AD1/50	2810.0	5.72	20
Allen Key M6	ISKS5	2818.0	24.30	-

Note: for mounting rails refer to accessories section.

End clamp Economy TS35	ES35PA	2005.2	2.05	50
End clamp TS35 (9.5mm)	ES35KST	2828.0	POA	50
End clamp metal TS35 (11mm)	HES35ST	2761.9	7.24	50

All prices lists are ex GST.

For marking systems refer Pages 3-107 & 3-108



Automation and Control

Feed-Through Connection Terminals

(suitable for 35mm DIN Rail and 32mm G Rail)

Type: **95mm**

Current: 250 amps - 1000V
 Width / Strip Length / Screw: 25mm / 30mm / M8 all.
 Cable: 35mm-95mm stranded / 25mm -95mm solid

Description	Order No.	Reference	Price \$	Pack Qty.
95mm terminal beige	RK95PA	1122.2	57.25	10
End plate	Not Required			
Partition	Not Required			
95mm terminal blue	RK95PAB	1122.5	57.25	10
End plate	Not Required			
Partition	Not Required			

Cross Connection 2P insul.	AQI295	2765.2	34.34	5
Cross Connection 3P bare	AQI395	2766.2	40.18	5

Warning Tag	AD1/95	2804.0	6.48	20
Allen Key M8	ISKS6	2733.0	1.40	-

Note: for mounting rails refer to accessories section.

End clamp Economy TS35	ES35PA	2005.2	2.05	50
End clamp TS35 (9.5mm)	ES35SKT	2828.0	5.72	50
End clamp metal TS35 (11mm)	HES35ST	2761.9	7.24	50

For marking systems refer Pages 3-107 & 3-108

Type: **150mm**

Current: 355 amps - 1000V
 Width / Strip Length / Screw: 31mm / 38mm / M10 all.
 Cable: 35mm-150mm stranded / 35mm-185mm solid

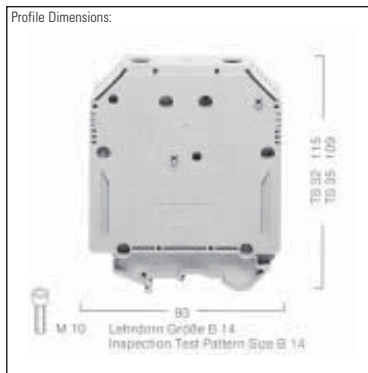
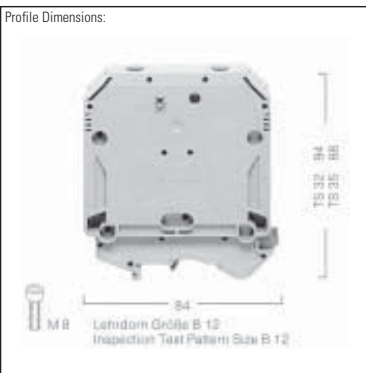
Description	Order No.	Reference	Price \$	Pack Qty.	Stock Code S
150mm terminal beige	RK150PA	1124.2	65.02	5	
End plate	Not Required				
Partition	Not Required				
150mm terminal blue	RK150PAB	1124.5	60.20	5	
End Plate	Not Required				

Cross Connection 2P insul.	AQI2150	2767.2	50.11	5
Cross Connection 3P bare	AQI3150	2768.2	57.24	5

Warning Tag	AD1/150	2806.0	7.24	20
Allen Key M10	ISKS8	2773.0	POA	-

All prices lists are ex GST.

3



Automation and Control

Feed-Through Connection Terminals

(suitable for 35mm DIN Rail and 32mm G Rail)

Type: 240mm

HSK High Current Terminals

Current: 453 amps - 1000V

Width / Strip Length / Screw 36mm / 38mm / M10 all.

Cable: 70mm-240mm stranded / 70mm -240mm solid

Available on request.

Description	Order No.	Reference	Price \$	Pack Qty.
240mm terminal beige	RK240PA	1126.2	80.35	5
End plate	Not Required			
Partition	Not Required			

240mm terminal blue	RK240PAB	1126.5	80.35	5
End Plate	Not Required			

Cross Connection 2P insul.	AQI2240	2769.2	57.24	5
----------------------------	---------	--------	-------	---

Cross Connection 3P bare	AQI3240	2770.2	65.02	5
--------------------------	---------	--------	-------	---

Warning Tag	AD1/240	2808.0	7.24	20
-------------	---------	--------	------	----

Allen Key M10	ISKS8	2773.0	POA (i)*	-
---------------	-------	--------	----------	---

Note: for mounting rails refer to accessories section.

End clamp Economy TS35	ES35PA	2005.2	2.05	50
------------------------	--------	--------	------	----

End clamp TS35 (9.5mm)	ES35SKT	2828.0	5.72	50
------------------------	---------	--------	------	----

End clamp metal TS35 (11mm)	HES35ST	2761.9	7.24	50
-----------------------------	---------	--------	------	----

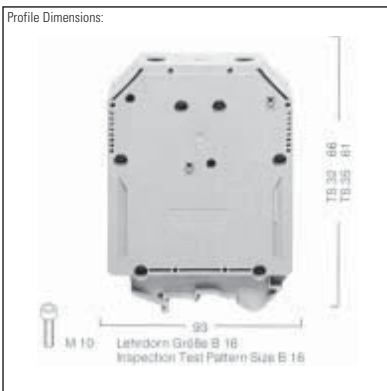
For marking systems refer Pages 3-107 & 3-108

All Items are listed as Stock Code S unless specified by *

Stock Code S

All prices lists are ex GST.

Profile Dimensions:



Automation and Control

Through-Type EARTH Terminals (Yellow/Green) (suitable for 35mm DIN Rail)

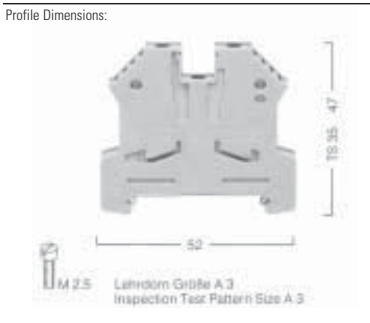
Type: **2.5mm**

Width / Strip Length / Screw 6mm / 10mm / M2.5

Cable: 0.2mm-2.5mm stranded / 0.2mm -4mm solid

Description	Order No.	Reference	Price \$	Pack Qty.
2.5mm Earth terminal	SL2.535	1056.2	8.64	100
End section	Not Required			

Profile Dimensions:



Type: **4mm**

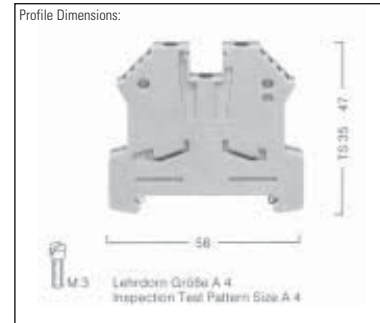
8mm / 12mm / M3

0.2mm-4mm stranded / 0.2mm-6mm solid

Stock Code S

Description	Order No.	Reference	Price \$	Pack Qty.
4mm Earth terminal	SL435	1212.2	10.04	100
End section	Not Required			

Profile Dimensions:



3

Type: **10mm**

Width / Strip Length / Screw 10mm / 12mm / M4

Cable: 0.2mm-10mm stranded / 0.2mm-10mm solid

Description	Order No.	Reference	Price \$	Pack Qty.
10mm Earth terminal	SL1035	1213.2	17.06	80
End section	Not Required			

End clamp Economy TS35	ES35PA	2005.2	2.05	50
End clamp TS35 (9.5mm)	ES35SKT	2828.0	5.72	50
End clamp metal TS35 (11mm)	HES35ST	2761.9	7.24	50

*or marking systems refer Pages 3-107 & 3-108

Type: **16mm**

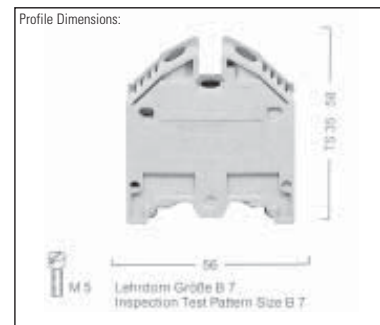
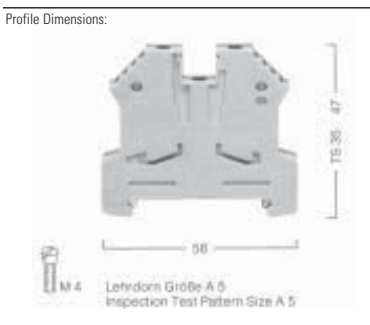
12mm / 12mm / M5

2.5mm-16mm stranded / 2.5mm-25mm solid

Stock Code S

Description	Order No.	Reference	Price \$	Pack Qty.
16mm Earth terminal	SL1635	1197.2	21.60	50
End section	Not Required			

Profile Dimensions:



All prices lists are ex GST.

Automation and Control

Through-Type EARTH Terminals (Yellow/Green) (suitable for 35mm DIN Rail)

Type:

35mm

Width / Strip Length / Screw 16mm / 20mm / M6

Cable: 2.5mm-35mm stranded / 2.5mm -50mm solid

Description	Order No.	Reference	Price \$	Pack Qty.
35mm Earth terminal	SL3535	1199.2	35.75	20
End section	Not Required			

Note: for mounting rails refer to accessories section.

Profile Dimensions:



End clamp Economy TS35	ES35PA	2005.2	2.05	50
End clamp TS35 (9.5mm)	ES35SKT	2828.0	5.72	50
End clamp metal TS35 (11mm)	HES35ST	2761.9	7.24	50

For marking systems refer Pages 3-107 & 3-108

2.5mm

Duo Earth Double

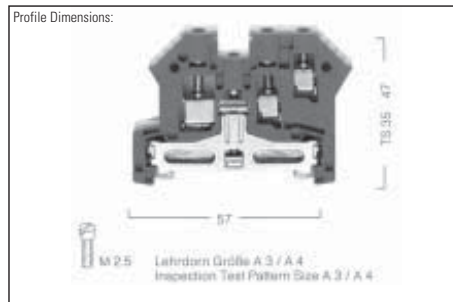
6mm / 10mm

0.2mm-2.5mm stranded / 0.2mm -0.4mm solid

Stock Code S

Description	Order No.	Reference	Price \$	Pack Qty.
2.5mm terminal	SL2.535ZR	1060.2	12.85	100
End section	AP2.5RPA	2574.1	2.59	100

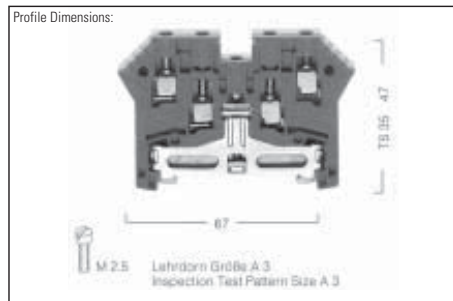
Profile Dimensions:



Description	Order No.	Reference No	Pack Qty.
2.5mm terminal	SL2.535ZRL	1062.2	14.36
End section	AP2.5RLPA	2575.1	2.59

All prices lists are ex GST.

Profile Dimensions:



Automation and Control

Double Deck Through-Type Terminals

(suitable for 35mm DIN Rail and 32mm G Rail)

Type: **4mm** Without Bridge

Current: 34 amps - 500V

Width / Strip Length / Screw 6mm / 9mm / M3

Cable: 0.2mm-4mm stranded / 0.2mm -4mm solid

Type: **4mm** With Bridge

Current: 34 amps

Width / Strip Length / Screw 6mm / 9mm / M3

Cable: 0.2mm-4mm stranded / 0.2mm -4mm solid

Stock Code S

Description	Order No.	Reference	Price \$	Pack Qty.
4mm terminal beige	RKD4PA	1020.2	7.24	100
End section beige	AP4PA	2101.2	2.81	20

Description	Order No.	Reference	Price \$	Pack Qty.
4mm terminal beige	RKD4SVPA	1027.2	10.04	100
End section beige	AP4PA	2101.2	2.81	20

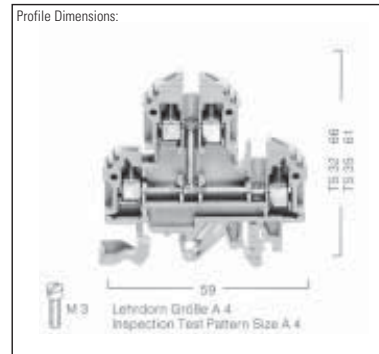
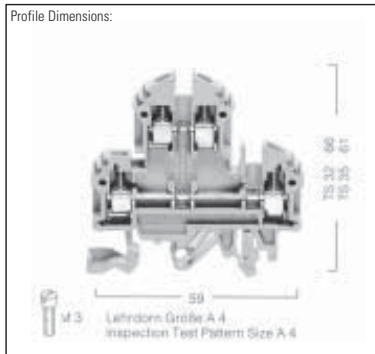
Note: for mounting rails refer to accessories section.

End clamp Economy TS35	ES35PA	2005.2	2.05	50
End clamp TS35 (9.5mm)	ES35SKT	2828.0	5.72	50
End clamp metal TS35 (11mm)	HES35ST	2761.9	7.24	50

For marking systems refer Pages 3-107 & 3-1081

All prices lists are ex GST.

3



Automation and Control

Duo Through-Type Connection Terminals

(suitable for 35mm DIN Rail and 32mm G Rail)

Type: **4mm** 1in/2out Connection.

Current: 26 amps - 500V

Width / Strip Length: 6mm / 12mm

Cable: 0.2mm-4mm stranded / 0.2mm -6mm solid

Description	Order No.	Reference	Price \$	Pack Qty.
4mm terminal beige	RK2.5-4ZRPA	1210.2	5.72	100
End section beige	AP2.5RPA	2574.2	2.59	50
*Blue on Request.				
Cross Connection 2P insul.	QI24	2740.2	2.81	50
Cross Connection 3P insul.	QI34	2741.2	4.75	50
Cross Connection 10P insul.	QI104	2743.2	12.85	10
Cross Connection 83P bare	Q0.5m	2153.0	71.39	10
Cover s (60mm)	ADQ	2499.0	2.59	20
External jumper insulated 10P	AQI10/5/15	2029.0	4.21	10
Separator	TRS3PA	2566.2	1.30	100
Test Socket	STB8.5/2.3	2075.0	1.40	50
Test Plug	PS2.3	2007.0	8.64	20

Type: **4mm** 2in/2out Connection.

Current: 26 amps - 500V

Width / Strip Length: 6mm / 9mm

Cable: 0.2mm-4mm stranded / 0.2mm -6mm solid

Stock Code S

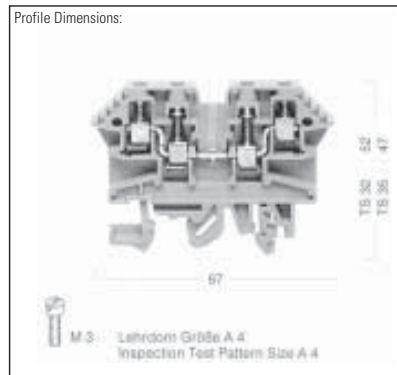
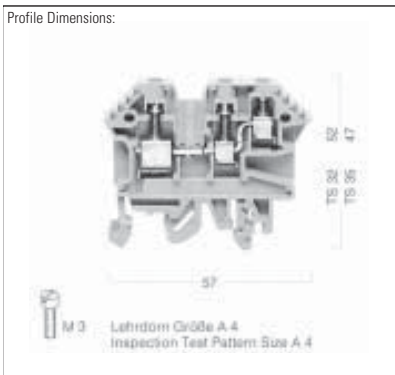
Description	Order No.	Reference	Price \$	Pack Qty.
4mm terminal beige	RK2.5-4ZRLPA	1211.2	7.23	100
End section beige	AP2.5RLPA	2575.2	6.91	50
*Blue on Request.				
Cross Connection 2P insul.	QI24	2740.2	2.81	50
Cross Connection 3P insul.	QI34	2741.2	4.75	50
Cross Connection 10P insul.	QI104	2743.2	12.85	10
Cross Connection 83P bare	Q0.5m	2153.0	71.39	10
Cover s (60mm)	ADQ	2499.0	2.59	20
External jumper insulated 10P	AQI10/6/17	2143.0	7.24	10
External jumper insulated 75P	AQI75/6/17	2480.0	21.60	10
Separator	TRS1PA	2003.2	1.40	100
Test Socket	STB14/2.3	2006.0	1.40	50
Test Plug	PS2.3	2007.0	8.64	20

End clamp Economy TS35	ES35PA	2005.2	2.67	50
End clamp TS35 (9.5mm)	ES35SKT	2828.0	5.72	50
End clamp metal TS35 (11mm)	HES35ST	2761.9	7.24	50

All prices lists are ex GST.

For marking systems refer Pages 3-107 & 3-108

Note: for mounting rails refer to accessories on page 3-109



Automation and Control

Disconnect Terminals

(suitable for 35mm DIN Rail and 32mm G Rail)

Type:	4mm Without test socket	4mm With LH & RH test sockets
Current:	10 amps	35 amps
Width / Strip Length:	6mm / 8mm	6mm
Cable:	0.2mm-4mm stranded / 0.2mm -6mm solid	0.5mm-4mm stranded / 0.5mm-6mm solid

Description	Order No.	Reference	Price \$	Pack Qty.
4mm terminal beige	TRK1.5PA	1390.2	8.64	100

Description	Order No.	Reference	Price \$	Pack Qty.
4mm terminal beige	TRK1.5STBPA	1391.2	10.04	100

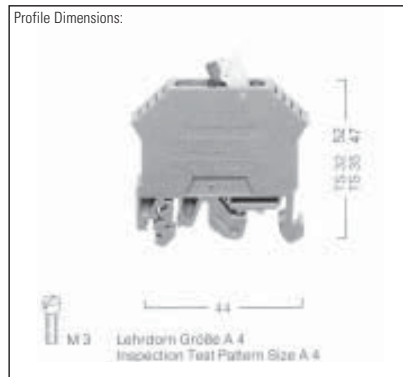
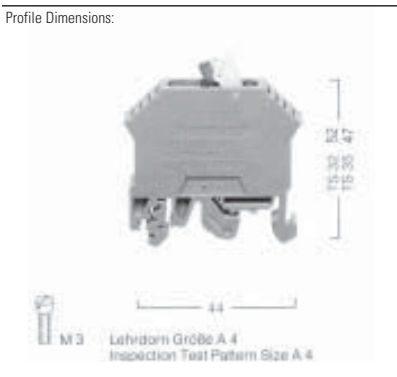
Note: for mounting rails refer to accessories section.

External Jumper 2p	AQ2	2064.0	2.59	50
External Jumper 3p	AQ3	2065.0	3.13	50
External Jumper 4p	AQ4	2066.0	3.78	50
Test Plug	PS2.3	2007.0	8.64	20

End clamp Economy TS35	ES35PA	2005.2	2.05	50
End clamp TS35 (9.5mm)	ES35SKT	2828.0	5.72	50
End clamp metal TS35 (11mm)	HES35ST	2761.9	7.24	50

For marking systems refer Pages 3-107 & 3-108

All prices lists are ex GST.



Automation and Control

Disconnect Terminals

(suitable for 35mm DIN Rail and 32mm G Rail)



Powering Business Worldwide

Type: **4mm** Without test sockets

Current: 10 / 15 amps - 300 / 600V

Width / Strip Length: 6mm / 8mm

Cable: 0.2mm-4mm stranded / 0.2mm-4mm solid

Description	Order No.	Reference	Price \$	Pack Qty.
4mm terminal beige	TRK1.5DSPA	1394.2	17.06	100
Plug (spare)	DS1TRK1.5	1403.2	14.36	-
Diode Plug 1A	DS1TRK1.51A	1401.2	15.77	-
Diode Plug with Bridge	DS1TRK1.5B	1400.2	14.36	-

Type: **4mm**

Current: 34 / 15 amps - 300 / 600V

Width / Strip Length: 8mm / 9mm

Cable: 0.2mm-4mm stranded / 0.2mm-4mm solid

Stock Code S

Description	Order No.	Reference	Price \$	Pack Qty.
4mm terminal beige	TRK2KPA	2193.2	17.06	100
End plate beige	APS11PA	2046.2	2.81	50

Note: for mounting rails refer to accessories section.

Note: for mounting rails refer to accessories section.

External Jumper 2p	AQ2	2064.0	2.59	50
External Jumper 3p	AQ3	2065.0	3.13	50
External Jumper 4p	AQ4	2066.0	3.78	50
Test Plug	PS2.3	2007.0	8.64	20

End clamp Economy TS35	ES35PA	2005.2	2.05	50
End clamp TS35 (9.5mm)	ES35SKT	2828.0	5.72	50
End clamp metal TS35 (11mm)	HES35ST	2761.9	7.24	50

For marking systems refer Pages 3-107 & 3-108

End clamp Economy TS35	ES35PA	2005.2	2.05	50
End clamp TS35 (9.5mm)	ES35SKT	2828.0	5.72	50
End clamp metal TS35 (11mm)	HES35ST	2761.9	7.24	50

For marking systems refer Pages 3-110 & 3-111

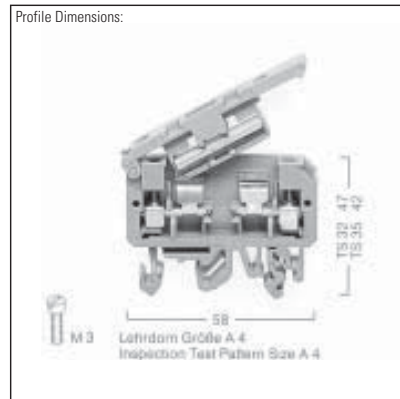
Type: **4mm** With RH & LH test sockets

10 / 15 amps - 300 / 600V

6mm / 8mm

0.2mm-4mm stranded / 0.2mm-4mm solid

Description	Order No.	Reference	Price \$	Pack Qty.
4mm terminal beige	TRK1.5TBDSPA	1395.2	17.39	100



All prices lists are ex GST.



Automation and Control

Fuse Terminals

(suitable for 35mm DIN Rail and 32mm G Rail)

Type: **10mm** 5 X 20mm / 5 X 25mm

Width / Strip Length: 8mm / 9mm

Cable: 0.2mm-10mm stranded / 0.2mm -10mm solid

Type: **10mm** 6,3mm X 32mm

Width / Strip Length: 6mm / 9mm

Cable: 0.2mm-10mm stranded / 0.2mm -10mm solid

Stock Code S

Description	Order No.	Reference	Price \$	Pack Qty.
terminal beige	SIK10PA	1101.2	14.36	(i)* 50
LED - 12VDC / 24VAC	SSTSİKLED12	1113.2	22.90	(i)* 10
LED - 30VDC / 60VAC	SSTSİKLED30	1114.2	22.90	(i)* 10
LED - 60VDC / 120VAC	SSTSİKLED60	1115.2	22.90	(i)* 10
LED - 115VDC / 230VAC	SSTSİKLED115	1116.2	22.90	(i)* 10

Description	Order No.	Reference	Price \$	Pack Qty.
terminal beige	SIK10ZPA	1102.2	21.60	50

Note: for mounting rails refer to accessories on page 3-112.

All Items are listed as Stock Code S unless specified by *

End clamp Economy TS35	ES35PA	2005.2	2.05	50
End clamp TS35 (9.5mm)	ES35SKT	2828.0	5.72	50
End clamp metal TS35 (11mm)	HES35ST	2761.9	7.24	50

For marking systems refer Pages 3-107 & 3-108

Fuses to suit:

5 x 25mm:

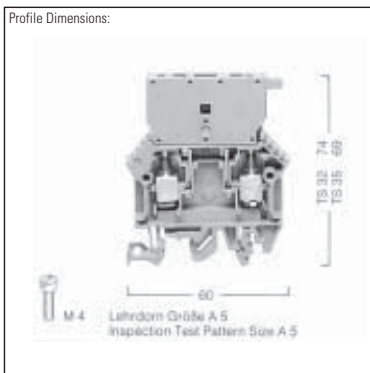
1A	SIK251A	2096.0	7.24	10
2A	SIK252A	2097.0	7.24	10
4A	SIK254A	2098.0	7.24	10
6.3A	SIK256.3A	2099.0	7.24	10

5 x 20mm

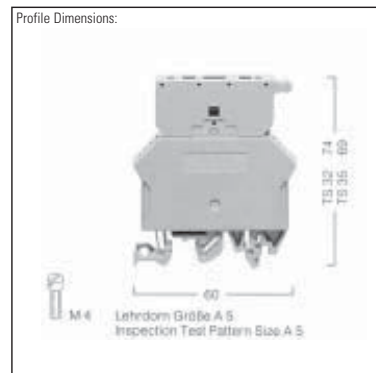
1A	SIK201A	2406.0	3.13	10
2A	SIK202A	2407.0	3.13	10
4A	SIK204A	2408.0	3.13	10
6.3A	SIK206.3A	2409.0	3.13	10

All prices lists are ex GST.

Profile Dimensions:



Profile Dimensions:



3

Automation and Control

Fuse Terminals

(suitable for 35mm DIN Rail)



Type: **4mm** 5mm X 20mm/25mm

Width / Strip Length: 8mm / 9mm

Cable: 0.2mm-4mm stranded / 0.2mm -4mm solid

Type: **10mm** 5mm X 20mm/25mm

Width / Strip Length: 12mm / 12mm

Cable: 0.2mm-10mm stranded / 0.2mm -10mm solid

Stock Code S

Description	Order No.	Reference	Price \$	Pack Qty.
4mm terminal	STK1PA	2190.2	12.85	20
End section	APSI1PA	2046.2	2.81	20

Description	Order No.	Reference	Price \$	Pack Qty.
10mm terminal	SK135	1092.6	19.98	20
End section	APSK1KRG	2047.6	4.21	20

Note: for mounting rails refer to accessories on page XXI.

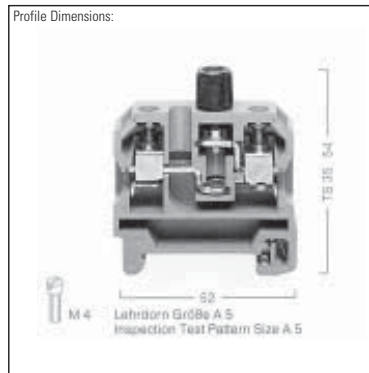
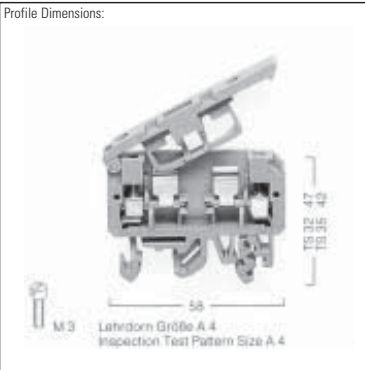
3

End clamp Economy TS35	ES35PA	2005.2	2.05	50
End clamp TS35 (9.5mm)	ES35SKT	2828.0	5.72	50
End clamp metal TS35 (11mm)	HES35ST	2761.9	7.24	50

For marking systems refer Pages 3-107 & 3-108

All prices lists are ex GST.

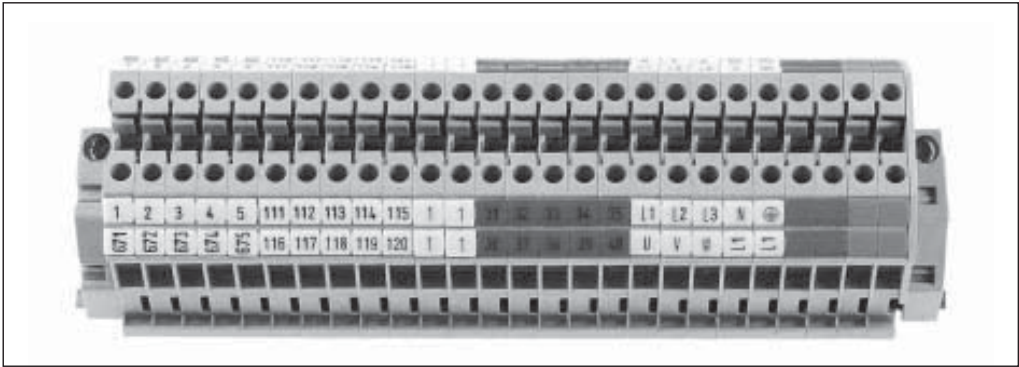
For fuses refer page 1-75.



Automation and Control

Terminal SB Marking Tag Branches

(Each branch with 10 tags)



Stock Code S

Terminal width:	5mm			6mm			8mm		
Description	Order No.*	Reference	Price \$	Order No.	Reference	Price \$	Order No.	Reference	Price \$
Nos. 1 - 10	SB510FS1-10	2433.0/1-10	1.19	SB610FS1-10	2037.0/1-10	1.19	SB810FS1-10	2942.0/1-10	1.30
Nos. 11-20	SB510FS11-20	2433.0/11-20	1.19	SB610FS11-20	2037.0/11-20	1.19	SB810FS11-20	2942.0/11-20	1.30
Nos. 21 - 30	SB510FS21-30	2433.0/21-30	1.19	SB610FS21-30	2037.0/21-30	1.19	SB810FS21-30	2942.0/21-30	1.30
Nos. 31 - 40	SB510FS31-40	2433.0/31-40	1.19	SB610FS31-40	2037.0/31-40	1.19	SB810FS31-40	2942.0/31-40	1.30
Nos. 41 - 50	SB510FS41-50	2433.0/41-50	1.19	SB610FS41-50	2037.0/41-50	1.19	SB810FS41-50	2942.0/41-50	1.30
Nos. 51 - 60	SB510FS51-60	2433.0/51-60	1.19	SB610FS51-60	2037.0/51-60	1.19	SB810FS51-60	2942.0/51-60	1.30
Nos. 61 - 70	SB510FS61-70	2433.0/61-70	1.19	SB610FS61-70	2037.0/61-70	1.19	SB810FS61-70	2942.0/61-70	1.30
Nos. 71 - 80	SB510FS71-80	2433.0/71-80	1.19	SB610FS71-80	2037.0/71-80	1.19	SB810FS71-80	2942.0/71-80	1.30
Nos. 81 - 90	SB510FS81-90	2433.0/81-90	1.19	SB610FS81-90	2037.0/81-90	1.19	SB810FS81-90	2942.0/81-90	1.30
Nos. 91 - 100	SB510FS91-100	2433.0/91-100	1.19	SB610FS91-100	2037.0/91-100	1.19	SB810FS91-100	2942.0/91-100	1.30
Blank	SB510	2430.0	0.86	SB610	2035.0	0.86	SB810	2940.0	1.19

* Marker tag pack qty -1 & 2 digit = 50 branches per pack each branch with 10 tags = 500 TAGS

All prices lists are ex GST.

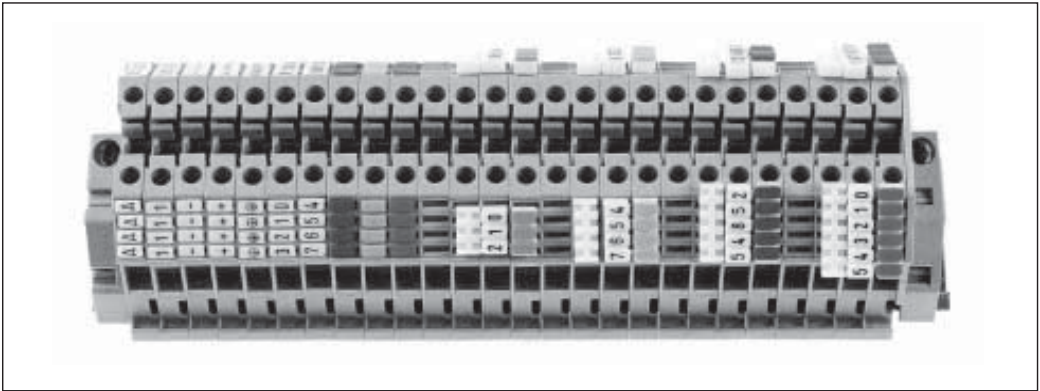
3 & more digits = 25 branches per pack each branch with 10 tags = 250 tags

Automation and Control

Terminal AS Marking Tag Branches

(Each strip with 10 tags)

3



AS310 Marking branches white polyamide with Black print (colours available on request).

Stock Code S

Description	Order No.	Reference No.	Price \$	Pack Qty.
Letter A	AS310G-A	2573.0-A	1.40	50
Letter B	AS310G-B	2573.0-B	1.40	50
Letter C	AS310G-C	2573.0-C	1.40	50
Letter D	AS310G-D	2573.0-D	1.40	50
Letter E	AS310G-E	2573.0-E	1.40	50
Letter F	AS310G-F	2573.0-F	1.40	50
Letter G	AS310G-G	2573.0-G	1.40	50
Letter H	AS310G-H	2573.0-H	1.40	50
Letter I	AS310G-I	2573.0-I	1.40	50
Letter J	AS310G-J	2573.0-J	1.40	50
Letter K	AS310G-K	2573.0-K	1.40	50
Letter L	AS310G-L	2573.0-L	1.40	50
Letter M	AS310G-M	2573.0-M	1.40	50
Letter N	AS310G-N	2573.0-N	1.40	50
Numbers Sequence 0.....9	AS310F/ 0-9	2572.0		50
No.1	AS310G-1	2573.0-1	1.40	50
No.2	AS310G-2	2573.0-2	1.40	50
No.3	AS310G-3	2573.0-3	1.40	50
No.4	AS310G-4	2573.0-4	1.40	50
No.5	AS310G-5	2573.0-5	1.40	50
No.6	AS310G-6	2573.0-6	1.40	50
No.7	AS310G-7	2573.0-7	1.40	50
No.8	AS310G-8	2573.0-8	1.40	50
No.9	AS310G-9	2573.0-9	1.40	50
No.0	AS310G-0	2573.0-0	1.40	50
Blank	AS310	2571.0	1.19	50

Description	Order No.	Reference No	Price \$	Pack Qty.
Letter O	AS310G-O	2573.0-O	1.40	50
Letter P	AS310G-P	2573.0-P	1.40	50
Letter Q	AS310G-Q	2573.0-Q	1.40	50
Letter R	AS310G-R	2573.0-R	1.40	50
Letter S	AS310G-S	2573.0-S	1.40	50
Letter T	AS310G-T	2573.0-T	1.40	50
Letter U	AS310G-U	2573.0-U	1.40	50
Letter V	AS310G-V	2573.0-V	1.40	50
Letter W	AS310G-W	2573.0-W	1.40	50
Letter X	AS310G-X	2573.0-X	1.40	50
Letter Y	AS310G-Y	2573.0-Y	1.40	50
Letter Z	AS310G-Z	2573.0-Z	1.40	50
Letter +	AS310G-PLUS	2573.0-PLUS	1.40	50
Letter -	AS310G-MINUS	2573.0-MINUS	1.40	50

TAG MOUNTING CLIP

Way	Width	Code	Reference No	Price \$	Pack Qty.
3 way	9.5mm	SCHT3	2616.0	1.40	100
4 way	12.5mm	SCHT4	2617.0	2.05	100
5 way	15.8mm	SCHT5	2618.0	2.16	100
6 way	19mm	SCHT6	2619.0	2.27	100

* Marker tag pack qty - 50 branches per pack each branch with 10 tags = 500 TAGS

Automation and Control

Terminal Accessories

Stock Code S



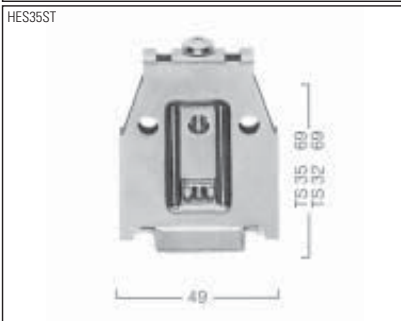
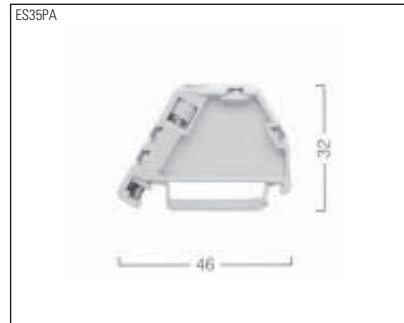
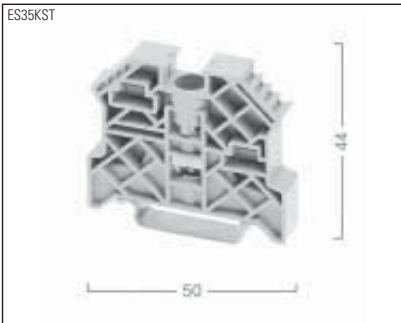
Description	Order No.	Reference No.	Price \$	Pack Qty.
Mounting Rails (2 Metre length):				
35mm DIN 7.5mm high	TS357.5US	2026.0	17.39	10
35mm DIN 7.5mm high slotted	TS357.5S	2094.0	18.68	10

3

Stock Code S

Description	Order No.	Reference No.	Price \$	Pack Qty.
End Clamps:				
End clamp Economy	ES35PA	2005.2	2.05	100
Type TS35 (35mm)	ES35SKT	2828.0	5.72	100
End clamp metal (11mm)	HES35ST	2761.9	7.24	100

All prices lists are ex GST.



Automation and Control

Wiring Duct

Surface Mounting



Powering Business Worldwide

Wiring duct available in slotted, closed & open or solid wall variations.

- High impact strength
- Self Extinguishing 94V-0 PVC
- Service temperature 85° C

Slotted – Open (2m lengths)

Stock Code S

Dimensions (W x H mm)	Colour	Pack Quantity	Part Number	Price \$
25mm x 25mm	Grey	12	FBO2525G	9.50
25mm x 30mm	Grey	12	FBO2530G	12.64
25mm x 40mm	Grey	12	FBO2540G	16.63
25mm x 60mm	Grey	12	FBO2560G	20.41
40mm x 40mm	Grey	12	FBO4040G	16.63
40mm x 60mm	Grey	12	FBO4060G	21.71
40mm x 80mm	Grey	12	FBO4080G	29.37
60mm x 40mm	Grey	12	FBO6040G	21.71
60mm x 60mm	Grey	12	FBO6060G	33.16
60mm x 80mm	Grey	12	FBO6080G	40.71
80mm x 60mm	Grey	12	FBO8060G	40.71
80mm x 80mm	Grey	8	FBO8080G	43.31
100mm x 100mm	Grey	8	FBO100100G	93.10
25mm x 30mm	Black	12	FBO2530B	12.64
25mm x 60mm	Black	12	FBO2560B	20.41
40mm x 40mm	Black	12	FBO4040B	16.63
40mm x 60mm	Black	12	FBO4060B	21.71
40mm x 80mm	Black	12	FBO4080B	29.37
60mm x 60mm	Black	12	FBO6060B	33.16
60mm x 80mm	Black	12	FBO6080B	40.71
80mm x 80mm	Black	8	FBO8080B	43.31
100mm x 100mm	Black	8	FBO100100B	93.10

Slotted – Closed (2m lengths)

Stock Code S

Dimensions (W x H mm)	Colour	Pack Quantity	Part Number	Price \$
25mm x 30mm	Grey	12	FBC2530G	12.64
25mm x 60mm	Grey	12	FBC2560G	20.41
40mm x 40mm	Grey	12	FBC4040G	16.63
40mm x 60mm	Grey	12	FBC4060G	21.71
40mm x 80mm	Grey	12	FBC4080G	29.37
60mm x 60mm	Grey	12	FBC6060G	30.70
60mm x 80mm	Grey	12	FBC6080G	40.71
80mm x 80mm	Grey	8	FBC8080G	43.31
100mm x 100mm	Grey	8	FBC100100G	93.10
25mm x 30mm	Black	12	FBC2530B	12.64
25mm x 60mm	Black	12	FBC2560B	20.41
40mm x 40mm	Black	12	FBC4040B	16.63
40mm x 60mm	Black	12	FBC4060B	21.71
40mm x 80mm	Black	12	FBC4080B	29.37
60mm x 60mm	Black	12	FBC6060B	33.16
60mm x 80mm	Black	12	FBC6080B	37.70
80mm x 80mm	Black	8	FBC8080B	40.10
100mm x 100mm	Black	8	FBC100100B	86.20

All prices lists are ex GST.

3



Solid Wall



Dimensions (W x H mm)	Colour	Pack Quantity	Part Number	Stock Code	Price \$
25mm x 30mm	Grey	12	FBS2530G	I	POA
25mm x 60mm	Grey	12	FBS2560G	I	42.50
40mm x 40mm	Grey	12	FBS4040G	I	POA
40mm x 60mm	Grey	12	FBS4060G	I	POA
40mm x 80mm	Grey	12	FBS4080G	I	POA
60mm x 60mm	Grey	12	FBS6060G	I	75.28
60mm x 80mm	Grey	12	FBS6080G	I	POA
80mm x 80mm	Grey	12	FBS8080G	I	POA
100mm x 100mm	Grey	12	FBS100100G	I	POA
25mm x 30mm	Black	12	FBS2530B	I	25.49
25mm x 60mm	Black	12	FBS2560B	I	45.90
40mm x 40mm	Black	12	FBS4040B	I	POA
40mm x 60mm	Black	12	FBS4060B	I	POA
40mm x 80mm	Black	12	FBS4080B	I	POA
60mm x 60mm	Black	12	FBS6060B	I	POA
60mm x 80mm	Black	12	FBS6080B	I	POA
80mm x 80mm	Black	12	FBS8080B	I	POA
100mm x 100mm	Black	12	FBS100100B	I	POA

3

Duct Lids

Dimensions	Colour	Pack Quantity	Part Number	Stock Code	Price \$
25mm	Grey	12	FBL25G	I	7.67
40mm	Grey	12	FBL40G	S	10.91
60mm	Grey	12	FBL60G	S	19.22
80mm	Grey	12	FBL80G	S	19.22
100mm	Grey	12	FBL100G	S	45.90
25mm	Black	12	FBL25B	I	7.67
40mm	Black	12	FBL40B	S	10.91
60mm	Black	12	FBL60B	S	19.22
80mm	Black	12	FBL80B	S	19.22
100mm	Black	12	FBL100B	S	45.90

All prices lists are ex GST.

Cable Ties

Surface Mounting

- UL approved nylon 66, 94V-2
- One piece design ensures strong locking
- Service temperature -40° to +105° C
- High temperature 185° C 94V-0 available on request
- Packed Quantity 100

Stock Code S

Dimensions (mm)	Colour	Tensile Strength	Bundle Diameter (mm)	Number	Price \$
100 x 2.5	Clear	8kg	25	FBCT1002C	2.75
190 x 4.8	Clear	22kg	52	FBCT1904C	7.24
280 x 4.8	Clear	22kg	81	FBCT2804C	14.04
370 x 4.8	Clear	22kg	102	FBCT3704C	17.82
280 x 7.6	Clear	55kg	81	FBCT2807C	24.30
380 x 7.6	Clear	55kg	110	FBCT3807C	35.64
450 x 7.6	Clear	55kg	120	FBCT4507C	26.78
450 x 8.0	Clear	80kg	133	FBCT4508C	45.90
550 x 8.0	Clear	80kg	168	FBCT5508C	65.02
812 x 9.0	Clear	80kg	246	FBCT8129C	110.92
1168 x 9.0	Clear	80kg	360	FBCT11689C	228.10
100 x 2.5	Black	8kg	25	FBCT1002B	2.59
150 x 3.6	Black	18kg	39	FBCT1503B	4.75
190 x 4.8	Black	22kg	52	FBCT1904B	7.88
280 x 4.8	Black	22kg	81	FBCT2804B	15.34
370 x 4.8	Black	22kg	102	FBCT3704B	19.22
280 x 7.6	Black	55kg	81	FBCT2807B	26.78
380 x 7.6	Black	55kg	110	FBCT3807B	39.53
450 x 7.6	Black	55kg	120	FBCT4507B	30.56
450 x 8.0	Black	80kg	133	FBCT4508B	49.79
550 x 8.0	Black	80kg	168	FBCT5508B	71.39
1168 x 9.0	Black	80kg	360	FBCT11689B	251.10

Cable tie saddles

- Available in Screw-in or Stick-on
- Colour - White

Stock Code S

Dimensions (mm)	Mounting	Pack Quantity	Part Number	Price \$
19 x 9.5	Screw-on	100	FBTM0	6.80
15 x 10	Screw-on	100	FBTM1	6.80
23 x 16	Screw-on	100	FBTM2	9.50
21 x 21	Stick-on only	100	FBTM21214	19.22
28 x 28	Stick-on + screw	100	FBTM28284	25.49

All prices lists are ex GST.

Spiral banding

- Manufactured from P.E.
- Binds cables and protects them from damage

Stock Code S



Wrapping Range (mm)	Band width	Dia (inner)	Dia (outer)	Pack Quantity (m)	Part Number	Price \$
4 - 50	7.0	4.0	6.0	10	FBSW06	5.08
6 - 60	10.8	6.0	8.0	10	FBSW08	6.70
7.5 - 60	11.4	7.5	10	10	FBSW10	8.21
9 - 65	13.9	9.0	12	10	FBSW12	11.77
12 - 75	15	12	15	10	FBSW15	15.34
15 - 100	18.2	15	19	10	FBSW19	16.63

3

Flexible Bushing

- Cut to suit any shape hole
- Protects cables from sharp edges
- Manufactured P. E. Natural

Stock Code S



Thickness	Maximum Thickness	Pack Quantity (m)	Part Number	Price \$
1.0	1.0	10	FBMB10	9.40
1.6	1.0 - 1.6	10	FBMB16	9.50
2.4	1.6 - 2.4	10	FBMB24	10.48
3.2	2.4 - 3.2	10	FBMB32	11.77
4.5	3.2 - 4.5	10	FBMB45	14.04

Cable Glands

- Manufactured from UL approved Nylon 66 94V-2 black
- Temperature -40° C to +105° C
- "Cable Grab Claw" stays on gland body to reduce installation time
- IP68 Rating

Stock Code S



Thread Size (metric)	Suits Cable Outside diameter	Pack Quantity	Part Number	Price \$
16mm	5 - 10	50	FBAG16	2.05
20mm	6 - 13	50	FBAG20	2.59
25mm	10 - 18	50	FBAG25	3.89
32mm	16 - 22	25	FBAG32	5.94
40mm	20 - 27	10	FBAG40	8.64
50mm	30 - 41	10	FBAG50	10.04
63mm	40 - 53	10	FBAG63	11.77

All prices lists are ex GST.

Faster than a speeding bullet



- Surge Powerboards
- 1 & 3 Phase DIN Surge Diverters
- Single Phase DIN Surge Filters
- 1 & 3 Phase Surge Filters 32-630A
- Rack Mount Surge Filters
- Telecommunications & Data Protection

Much faster. In nanoseconds a power surge can do major damage to sensitive equipment and data. It can come from anywhere, and like a bullet, you only know it has been by the destruction left behind.

That's why surge protection is so critical. And why Eaton builds so much quality into our full line of Powerware surge protection products. Eaton has a world beating reputation for Power Quality and a full range of surge protection solutions, covering every eventuality.

Whether the application involves residential homes, telecommunication

facilities, hospitals, schools or heavy industrial plants, the utilisation of surge protection devices provides protection against the damaging effects of lightning, utility switching, switching electric motors, and more.

At Eaton, we pride ourselves on providing the best value for the money. With a full range of innovative, reliable products, we have the right surge protection solution for any application. A range designed in Australia for Australian conditions, each product is independently tested and backed by the largest engineering and technical support in the industry.

EATON
Powering Business Worldwide

For further Information:
1300 3 EATON
www.eatonelectric.com.au