

POWER SUPPLY UNITS

24 VDC UNITS



TA640
UL

TA606
UL SF

APPLICATIONS

- Units provide power to multiple signaling devices depending on requirements.

FEATURES

TA606

Regulated and filtered 24VDC up to 600mA. Easy to use screw terminals, accepts #16-24AWG. No conduit is required for installation.

TA640

Dual output unit, each providing 2 Amps fo current. If connected in parallel, will provide up to 4Amps. Circuit breaker provides input protection.

ORDERING INFO

CATALOG NO.	UPC CODE	INPUT VOLTAGE	OUTPUT VOLTAGE	OUTPUT CURRENT	REGULATION	RIPPLE VOLTAGE
TA606	96109	117VAC	24VDC	600mA		
TA640	96110	115VAC	24VDC	4A	+/-5%	10mVRMS

TRANSFORMERS



APPLICATIONS

- Engineered to ensure long use on bells, buzzers and chimes.

UL SF

ORDERING INFO

CATALOG NO.	UPC CODE	TYPE	VOLTS-AMPS (VA)	PRIMARY VOLTAGE	SECONDARY VOLTAGE	Hz
TA590	96104	Bell	5	120	10	60
TA591	96105	Chime	10	120	16	60
TA592	96106	Tri-Volt	10-10-20	120	8-16-24	50/60
TA598	96602	Tri-Volt	20-30-30	120	8-16-24	60
TA599	96108	Heavy Duty	40	120	24	60
TA1245Y-50	96166	Heavy Duty	50VA	120/208/240	24	60
TA1245Y-75	96167	Heavy Duty	75VA	120/208/240	24	60

ACCESSORIES, REPLACEMENT PARTS & DIMENSIONS

COLOR	LETTER TO REPLACE " "
Red	R
Amber	A
Clear	C
Blue	B
Green	G
White	W

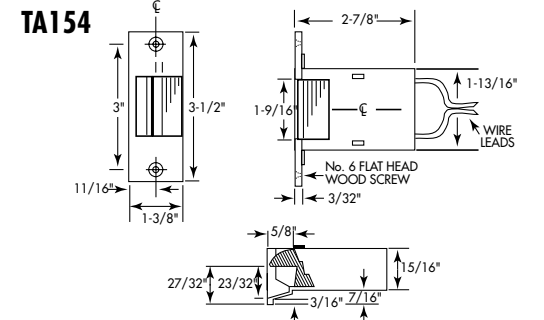
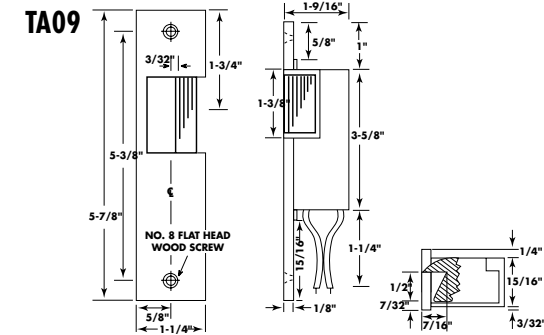
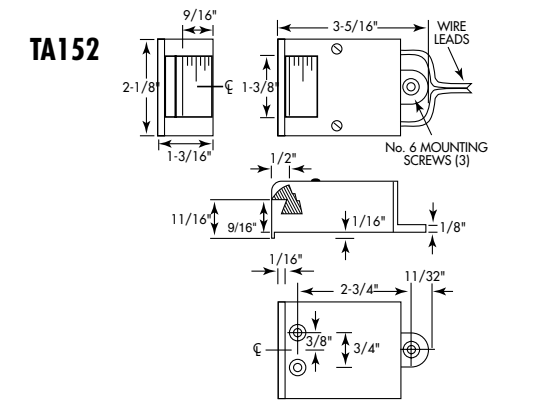
< Full selection of dome colors. To designate color, place desired letter in place of " * "

ORDERING INFO

UNIT	CATALOG NO.	UPC CODE	DESCRIPTION
TA131D	TA-D8A	96971	Acrylic Dome – Amber
TA53	TA-M1	96138	12VDC Motor
TA53, TA54	TA-B1	96114	Small Drive Belts
TA53, TA54	TA-B2	96115	Large Drive Belts
TA371L	TA-B3	96116	Drive Belts
TA53, TA54	TA-L3	96129	12VDC Bulb
TA53	TA-L4	96130	24VDC Bulb
TA93-2	TA-L6-2	96982	110VAC Xenon Flash Tube
TA52	TA-L8	96134	110VAC Bulb
TA47	TA-L9	96135	110VAC Bulb
TA94	TA-L10	96136	110VAC Xenon Flash Tube
TA-94	TA-L10-1	96981	110VAC Xenon Flash Tube
TA371L	TA-L12	97625	110VAC Bulb
TA502	TA502-BX	96967	Backbox
TA502	TA502SW	96966	Replacement switch
TA503	TA503SW	96969	Replacement switch
TA874 Series	TA-BBSF	97694	Backbox – 4" painted Dawn Mist
TA874 Series	TA-WBBF	97692	Weatherproof Backbox – .5" KOs 4" painted Dawn Mist
TA-BBSF, TA-WBBF	TA-SFPF	97707	Semi-Flush plate – Dawn Mist
TA-BBSF, TA-WBBF	TA-SFPFR	97697	Semi-Flush plate – Red
TA47, TA94	TA-ADR	96111	Acrylic Dome – Red
TA47, TA94	TA-ADA	96311	Acrylic Dome – Amber
TA47, TA94	TA-ADB	96411	Acrylic Dome – Blue
TA52, TA53	TA-D5B	96419	Acrylic Dome – Blue
TA54	TA-D6R	96120	Dome – Red
TA54	TA-D6A	96320	Dome – Amber
TA54	TA-D6C	96422	Dome – Clear
TA93, TA94	TA-D7R	96121	Fresnal Dome – Red
TA93, TA94	TA-D7A	96321	Fresnal Dome – Amber
TA93, TA94	TA-D7C	96621	Fresnal Dome – Clear
TA93, TA94	TA-D7B	96421	Fresnal Dome – Blue
TA131D	TA-D8R	96970	Acrylic Dome – Red

DIMENSIONS

REMOTE CONTROL DOOR OPENERS



HEAVY DUTY BELLS

