

TABLE OF CONTENTS

DIES

12 Ton U Dies N-4
 W Dies N-4
 UDIEKITCU, UDIEKITAL,
 UDIEKITHYGRD U Die Kits N-5

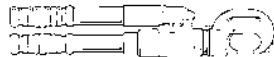
CRIMPERS



MECHANICAL AND RATCHET

Y10D N-6
 Y10-22 N-7
 YF-TOOL N-8
 Y8MRB-1 N-9
 MR8 N-10
 MR15, MR18, MR20 N-11
 MR4C N-12
 Y1MRTC N-13
 M8ND N-14
 MRC840, MRC840AL N-15
 MY29, MY28 N-16
 OH25 N-17
 OUR840 N-18
 MD6, MD6-4, MD6-6, MD6-8, MD6-12,
 MD6-14, MD6-37, MD6-38, MD6-K ... N-19
 MD7, MD7-6, MD7-8 N-20
 MD7-34R N-21
 MD6/MD7 Accessories N-22
 MD6R N-23
 MD6 Hotstick Tools N-24
 RK147-2 & WIREMIKE N-25

SELF-CONTAINED HYDRAULIC



Y500CT-HS N-26
 Y35 & Y35-2 N-27
 Y35 Accessories N-28
 Y39 N-29
 Y750HSXT & Y750CHSXT N-30
 Y644HSXT N-31
 Y81KFT N-32
 Y4PC834 N-33

BATTERY ACTUATED

PAT750XT-18V N-34
 PAT750K-18V N-35
 PAT644XT-18V N-36
 PAT46-18V N-37

PAT81KFT-18V N-38
 PAT4PC834-18V N-39
 PATMD6-14V N-40
 PAT600-18V N-41

REMOTE HYDRAULIC



Y35BH (10,000 PSI) N-42
 Y39BH (10,000 PSI) N-43
 Y34BH (10,000 PSI) N-44
 Y29BH (6,000 PSI) N-45
 Y750BHXT & Y750CBHXT
 (10,000 PSI) N-46
 Y644MBH N-47
 Y81KFTMBH N-48
 Y4PC834MBH N-49
 Y45 (10,000 PSI) N-50
 Y46, Y46C (10,000 PSI) N-51
 Y60BHU & Y60BHUD N-52

PNEUMATIC

Y29NC N-53
 TFM Tape Fed Machine N-54
 TFM Installation Tooling Chart N-55

CUTTERS

MECHANICAL AND RATCHET

MCC500, MCC1000 N-56
 RCC336, RCC556, RCC600, RCC750HD,
 RCC954ACSR, RCC1000 N-57

SELF-CONTAINED HYDRAULIC

Y CUT129ACSR N-58

BATTERY ACTUATED

PATHCC10-18V N-59
 PATCUT129ACSR-18V N-60
 PATCUT245CUAL-18V N-61
 BCC1000CUAL N-62

REMOTE HYDRAULIC

RHCC129ACSR N-63
 RHCC245CUAL N-64

N-1

(Table of Contents continued on page 2)

Blue highlighted items are industry standard and most frequently ordered.

TABLE OF CONTENTS

(Continued)

HYDRAULIC PUMPS

HP10 (10,000 PSI) N-65
 HP8 (8,800 PSI) N-65
 HP6 (6,000 PSI) N-65
 FP10 (10,000 PSI) N-66
 FP8 (8,800 PSI) N-66
 FP6 (6,000 PSI) N-66
 Y10AC9 N-67
 EPP10, EPP6 N-68
 EPAC10, EPAC8, EPAC6 N-69
 EP10, EP10-2, EP8, EP6 N-70
 EP10-1HP, EP10-1HP-2 N-71
 GP10 (10,000 PSI) N-72
 Hydraulic Hoses N-73
 Accessories N-74

LOW PRESSURE HYDRAULIC

ENFORCER™ HIW716ENF
 Impact Wrench N-75
HIW-716R1, HIW716VTR1
 Impact Wrenches N-76
KOMPRESSOR™ LPHY750XT,
LPHY750CXT N-77
HBR40, HBR66 Hydraulic Breakers N-78
HTP3, HP3 3" Submersible Pumps N-79
HP2HV 2" Submersible Pump N-79
HPTR1 Pole Tampers
 and Accessories N-80
HHS, HPS Chain Saws N-81
HPP18, HPP18-2
 Hydraulic Power Packs N-82
HPP5 Hydraulic Power Pack N-82
LPHT Accessories N-83

KNOCKOUTS

MECHANICAL AND RATCHET

BKOM50125 Knockout Set N-84
BKOM152 Knockout Set N-85
BKOH2540 Knockout Set N-86
BKOW520 Knockout Set N-87
BKOR520 Knockout Set N-88

HYDRAULIC

BKOS5290 Knockout Set N-89
BKOS520 Knockout Set N-90
BKOH520A Knockout Set N-91
BKOH540A Knockout Set N-92

BKOF520 Knockout Set N-93
BKOF540 Knockout Set N-94

BENDERS

HAND BENDERS

B12E, B34E12R, B1E34R
 Conduit Hand Benders N-95

ELECTRIC BENDERS

BEB122 Electric Conduit Bender N-96

WIRE MANAGEMENT

THE SMARTCART®

BSC2H 2 Wheel Heavy Duty Cart N-97
BSC2L 2 Wheel Light Duty Cart N-98
BSCWS40, BSCWS80
 Wall Wire Reel Storage Systems N-99

WIRE CADDIES

BWC04EHC Economy Hand Caddy N-100
BWC06FHC Folding Wire Caddy N-100
BWC01CMC
 Compact Medium Caddy N-100
BWC01CDC Compact Caddy N-100
BWC46CWD Wire Dispenser N-101
BWC01FCMR Folding
 Caddy Mount Reel N-101
BWC28FAC Folding A-Frame Caddy N-101
BWC01FSMC Folding
 Stud Mount Caddy N-102
BWC01FAR Folding Add-On Reel N-102
BWC01FFMC Folding
 Floor Mount Caddy N-102
BWC46RC 6 Spindle Reel Caddy N-103
BWC410RC 10 Spindle Reel Caddy N-103
BWC420MSC Multi-Spool Caddy N-103
BWC24HTC Hand Truck Caddy N-104
BWC24LHTC, BWC00ADP,
BWC27LHTCADP Wire Caddies N-104
BWC24MTHTC Wire Caddy N-104
BWC00JS Jack Stand N-105
BWC20PRSF Portable
 Reel Support Frame N-105
BWC32DCC Double Coil Caddy N-105
BWC40PC Push Cart Caddy N-106
BWC43UC Utility Cart Caddy N-106
BWC43TRC Triple Reel Caddy N-106

Blue highlighted items are industry standard and most frequently ordered.

INTRODUCTION

INSTALLATION TOOLS

BURNDY's total compression program offers the most complete line of installation tools, mechanical, full cycle ratchet, self contained hydraulic, remote controlled hydraulic, power actuated pumps, hoses and accessories, available to the electrical industry. These tools have been designed to integrate with the complete line of BURNDY® compression connectors. Whether you're a small contractor working with #22 wire or a large utility working with 2500 kcmil conductor, there's a BURNDY® compression tool available to do the job.

The benefits of compression are many, however, probably the most significant benefit is reliability. There's nothing more important to the electrical industry today than reliability. It represents the one area that leads to economical installations that will endure for the life of the installation.

TOOL CENTER

An important element of the BURNDY® compression program is the Tool Center, 150 Burndy Road, Littleton, NH 03561 (800-426-8720). This center provides advice and information on the operation, maintenance and repair of BURNDY® tools. The repair center is staffed with specialized technicians who provide the best possible tool repair service, for all BURNDY® tools, pumps and accessories.

We designed and produced the first self contained hydraulic compression electrical connector installation tool in 1934. In our continuing efforts to provide the highest quality and highest value connection systems, we offer the current BURNDY® tool policy.

LIMITED WARRANTY

The full line of BURNDY® tools are warranted to be free of defects in materials and workmanship for a period of five (5) years from the date of shipment. If inspection by a certified tool technician shows the trouble is caused by defective workmanship or material, BURNDY® will repair (or at our option), replace the tool.

This Warranty does not apply where:

- Repairs or alterations have been made or attempted by others.
- Repairs are required because of normal wear and tear.
- The tool has been abused, misused or improperly maintained.
- The use of any non-BURNDY® products has resulted in damage to the tool.

STANDARD LIMITED WARRANTY AND LIMITATION OF LIABILITY

BURNDY® warrants that the goods and services stated on the face hereof, when furnished to Buyer by BURNDY®, conform with BURNDY's current written specifications and drawings (or with those of the Buyer specifically accepted by BURNDY® in writing), and will be free of defects in materials and workmanship. BURNDY's sole obligation (and Buyer's sole and exclusive remedy) for any breach of warranty under the foregoing warranty shall be to repair (at location designated by BURNDY®) or, at BURNDY's option: To replace FOB the original point of delivery any goods which are non-conforming or defective and are so specified by buyer in a written certified mail notice to an officer of BURNDY® within the applicable warranty period. BURNDY® expressly disclaims any and all express or implied warranties other than the warranty of its title to goods and the warranty hereinabove set forth. Such disclaimer includes, without limitation, warranty of fitness for a particular purpose and warranty of merchantable quality.

Limitation of Liability— BURNDY® will not, under any circumstances, be liable for the cost of removal or reinstallation of goods or the cost of disassembly or reassembly of equipment in connection therewith, or for loss of the use of Buyer's equipment or facilities, or for loss of business or good will or profits, or for cost of inspection or storage, or for any incidental or consequential damages of any nature or description whatever which may arise from BURNDY's sale of goods to Buyer.

REPAIR POLICY

All non-warranty repaired tools are completely reconditioned and receive a limited 1-year warranty. Non-warranty repair returns tools to like new condition at a maximum cost of 40% of a new tool. A nominal service charge of \$5.00 is applied to all repairs to cover shop supplies, oil disposal and other miscellaneous services not covered as part of the standard repair.

If the decision is made not to repair, a handling charge of \$25.00 will be applied plus return freight costs.

RETURN PROCEDURE

All tools sent to the Burndy Tool Center or an authorized repair center must be accompanied by a purchase order with detailed bill to and ship to address authorizing repair. Requests for repair charges before work is done must be stated on the purchase order. All tools sent to the Burndy Tool Center or an authorized repair center as a warranty claim must be accompanied by a proof of purchase such as a BURNDY® invoice or invoice from any BURNDY® distributor.

All tools must be shipped at the owner's expense, prepaid. BURNDY® pays for the return freight, same surface freight as received. Airfreight returns will be returned same way collect for non-warranty repair and prepaid for warranty repairs.

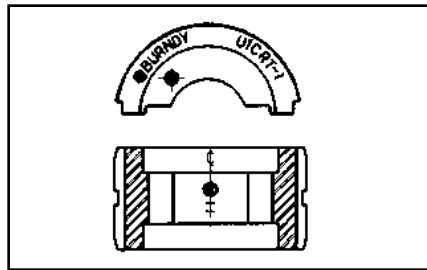
This warranty and repair policy supercedes all previous policies and is in effect January 1, 2005.

Blue highlighted items are industry standard and most frequently ordered.

12-TON U DIES*

BURNDY® Die Sets

Fits Y35, Y39, Y750 Series,
PAT750-18V Series,
PAT46-18V, Y46
(W/PUADP-1 Adapter)



U die case Part# **PT29291**, holds up to 15 dies

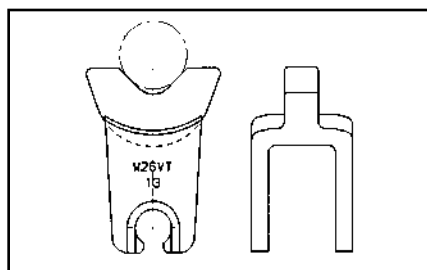
	Wire Size	Copper	Aluminum
Small	#8	U8CRT	U8CABT
	#6	U5CRT	U6CABT
	#4	U4CRT	U4CABT
	#3	U3CRT	N/A
	#2	U2CRT	U2CABT
	#1	U1CRT-1	U1CART
	1/0	U25RT	U25ART
	2/0	U26RT	U26ART
	3/0	U27RT	U27ART
	4/0	U28RT	U28ART
	250 kcmil	U29RT	U29ART
	300 kcmil	U30RT	U30ART
	350 kcmil	U31RT	U31ART
	400 kcmil	U32RT	U32ART
500 kcmil	U34RT	U34ART	
535 Flex kcmil	U38XRT	N/A	
600 kcmil	U36RT	U36ART	
750 kcmil	U39RT	U39ART-2	
Large	777 Flex	U44XRT	N/A

* Non-tension U-type 12-ton dies for YA, YS, YA-A, YS-A style connectors.
NOTE: N/A = not applicable.

W DIES

BURNDY® Die Sets

Fits Tools MD6, MD7,
Y500CTHS, PAT600-18V,
PATMD6



W die case Part# **PT4946**, holds up to 12 dies

	Wire Size	Copper	Copper	Aluminum
Small	#8	W8CVT	W8CRT	X8CART
	#6	W5CVT	W5CRT	W161
	#4	W4CVT	W4CRT	W162
	#3	W3CRT	W3CRT	N/A
	#2	W2CVT	W2CRT	W239
	#1	W1CVT	W1CRT	W163
	1/0	W25VT	W25CRT	W241
	2/0	W26VT	W26CRT	W245
	3/0	W27VT	W27CRT	W166
	4/0	W28VT	W28CRT	W660
	250	*W29VT	W29CRT	N/A
	300	*W30VT	W30CRT	N/A
	350	*W31VT	W31CRT	*W31ART
	400	*W32VT	W32CRT	N/A
450	W33VT	W33CRT	N/A	
500	*W34VT	W34CRT	N/A	
Large	600	**W36RT	W36CRT	N/A

* These sizes (250-500) for Y5000CTHS, MD7-34(R), BAT500, BCT500HS only.

** For PAT600-18V only.

NOTE: N/A = not applicable. Suitable for use on YA, YS, YA-A, YS-A type non-tension connectors.

Blue highlighted items are industry standard and most frequently ordered.

**UDIEKITCU,
UDIEKITAL,
UDIEKITHYGRD**

BURNDY® U DIE KITS

Each UDIEKITCU and UDIEKITAL die kit includes 15 sets of “U” dies and the PT29291 die case. These stainless steel color coded dies are for crimping BURNDY® YA, YS, YA-A and YS-A type HYLUG™ and HYLINK™ color coded terminals and splices ranging from #6 AWG through 750 kcmil.

The UDIEKITHYGRD kit includes eight die sets. Seven dies sets are used to install the BURNDY® HYGROUND® irreversible compression grounding connectors, and the U2CABT die set for pre-crimping 1/2”, 5/8” and 3/4” ground rods for increased rotational resistance.

BURNDY® “U” dies are used in the Y35, Y39, Y750 series, PAT750-18V series, Y46, and PAT46-18V (with PUADP-1 adapter) tools.



UDIEKITHYGRD Includes	
Catalog Number	
UC	
U0	
U997	
PU998	
U1011	
U1104	
U1105	
U2CABT (Ground rod pre-crimp die)	
PT29291 (Die case)	

UDIEKITCU Includes		UDIEKITAL Includes	
Copper Wire Size	Catalog Number	Aluminum Wire Size	Catalog Number
#6 AWG	U5CRT	#6 AWG	U6CABT
#4 AWG	U4CRT	#4 AWG	U4CABT
#2 AWG	U2CRT	#2 AWG	U2CABT
#1 AWG	U1CRT-1	#1 AWG	U1CART
1/0 AWG	U25RT	1/0 AWG	U25ART
2/0 AWG	U26RT	2/0 AWG	U26ART
3/0 AWG	U27RT	3/0 AWG	U27ART
4/0 AWG	U28RT	4/0 AWG	U28ART
250 kcmil	U29RT	250 kcmil	U29ART
300 kcmil	U30RT	300 kcmil	U30ART
350 kcmil	U31RT	350 kcmil	U31ART
400 kcmil	U32RT	400 kcmil	U32ART
500 kcmil	U34RT	500 kcmil	U34ART
600 kcmil	U36RT	600 kcmil	U36ART
750 kcmil	U39RT	750 kcmil	U39ART-2
Die Case	PT29291	Die Case	PT29291

N-5

Blue highlighted items are industry standard and most frequently ordered.

Y10D

HYTOOL™

Two Tools in One—
#22-10 AWG Nylon Insulated Connectors,
#22-10 AWG Uninsulated Connectors

Hand-held plier type tool that will install #10-22 AWG nylon insulated and uninsulated terminals and splices, with a precision machined wire cutter for aluminum and copper wire in the nose of the tool. Long handles provide greater mechanical advantage. 5-year limited warranty.



SPECIFICATIONS

Length: 9-3/4"
Weight: 13.5 oz.

FOR USE ON

#10-22 AWG Nylon Insulated Terminals

Box Cat. Types	Bulk Cat. Types
TN	YAES
TN-F	YAES-E
YAE-N BOX	YAE-N
YAE-N-F BOX	YAE-N-F
YAE-Z BOX	YAE-Z
YAEV BOX	YAEV

#10-22 AWG Nylon Insulated Splices

Box Cat. Types	Bulk Cat. Types
SN	YSE-HN *
SNM	YSES
YSE-H BOX *	YSE-H *

#10-22 AWG Uninsulated (Bare) Terminals

Box Cat. Types	Bulk Cat. Types
T	YAD
T-F	YAD-F
YAV BOX	YAV
YAV-T-F BOX	YAV-T-F
YAV-H BOX *	YAV-H *
YAV-H-F BOX *	YAV-H-F *
YAV-Z BOX	YAV-Z

#10-22 AWG Uninsulated (Bare) Splices

Box Cat. Types	Bulk Cat. Types
YSV BOX	YSV
YSV-H BOX *	YSV-H *

BENEFITS

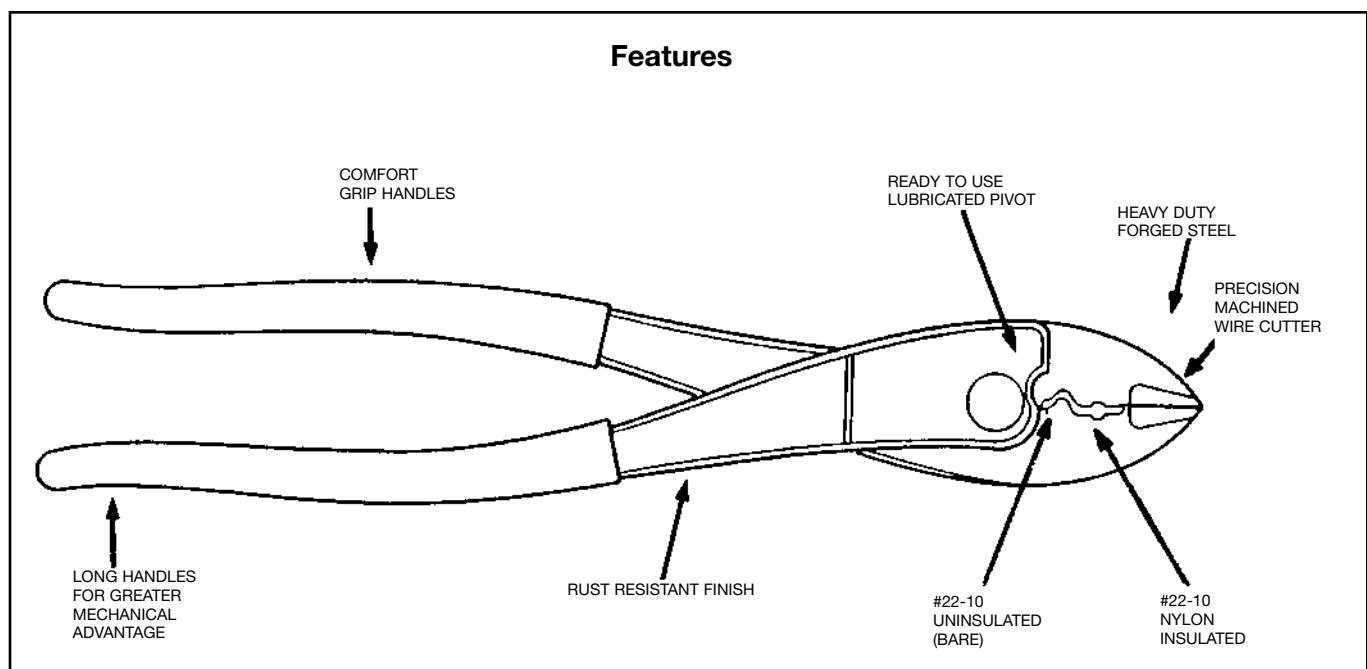
- Easy wire cutting with precision machined cutting blade.
- Save time, money and lower installed costs with one tool for both nylon insulated and uninsulated (bare) connectors.
- Easy tool operation out of the carton. No need to break in the tool prior to actual usage.
- A heavy duty forged steel tool, that has a rust resistant finish will provide a long durable life.

BENEFITS (Continued)

- Easier crimping on #22-10 bare and nylon insulated connectors because of the longer handles that provides greater mechanical advantage.*
- Comfort grip handles fit hands comfortably helping make the tool easy to use.
- Terminals and splice connectors are UL listed and CSA certified when installed with the Y10D HYTOOL™.
- 5-year limited warranty.

* Conductor crimp only.

Features



Blue highlighted items are industry standard and most frequently ordered.

Y10-22

HYTOOL™

#22-10 AWG Insulated Connectors,
#22-10 AWG Uninsulated Connectors

Hand-held plier type tool to install #10-22 AWG insulated and uninsulated terminals and splices with a wire cutter in the nose of the tool. Will strip #10-22 AWG wire and cut common size mild steel and non-ferrous screws. 5-year limited warranty.



BENEFITS

- Easy wire cutting with anvil type wire cutter design.
- Crimps full range of insulated terminals and splices #22-10 AWG.
- Cut off dies for common size mild steel and non-ferrous screws.
- Crimps full range of uninsulated terminals and splices #22-10 AWG.
- Full range insulation strippers for wire sizes #22-10. One step stripping.
- Comfort grip handles fit hands comfortably helping make the tool easy to use.
- 5-year limited warranty.

* Conductor crimp only.

SPECIFICATIONS

Length: 8-5/8"
Weight: 11 oz.

FOR USE ON

#10-22 AWG Nylon Insulated Terminals

Box Cat. Types	Bulk Cat. Types
TN	YAES
TN-F	YAES-F
YAE-N BOX	YAE-N
YAE-N-F BOX	YAE-N-F
YAE-Z BOX	YAE-Z
YAEV BOX	YAEV

#10-22 AWG Nylon Insulated Splices

Box Cat. Types	Bulk Cat. Types
SN	YSE-HN *
SNM	YSES
YSE-H BOX	*YSE-H *

#10-22 AWG Vinyl Insulated Terminals

Box Cat. Types	Bulk Cat. Types
TP	BA
TP-F	BA-EF
TP-ZBA-EZ	

#10-22 AWG Vinyl Insulated Splices

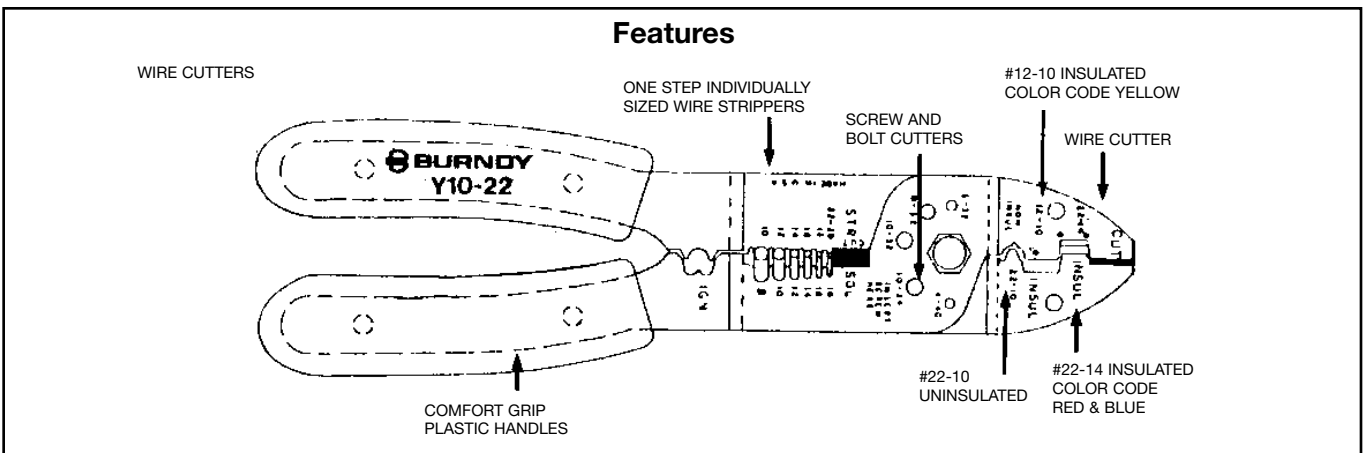
Box Cat. Types	Bulk Cat. Types
SP	BS

#10-22 AWG Uninsulated (Bare) Terminals

Box Cat. Types	Bulk Cat. Types
T	YAD
T-F	YAD-F
YAV BOX	YAV
YAV-T-F BOX	YAV-T-F
YAV-H-F BOX *	YAV-H-F *
YAV-Z BOX	YAV-Z

#10-22 AWG Uninsulated (Bare) Splices

Box Cat. Types	Bulk Cat. Types
YSV BOX	YSV
YSV-H BOX *	YSV-H *



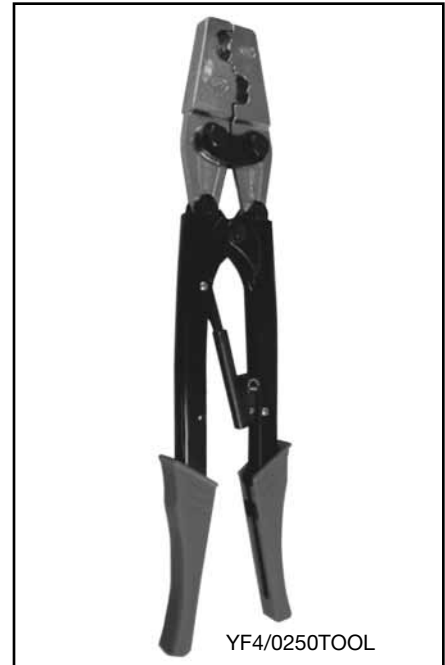
Blue highlighted items are industry standard and most frequently ordered.

YF-TOOL

Installation Ratchet Tool for Bare and Insulated Ferrules

For Use On Copper Ferrules

These tools have been specifically designed to work with both the insulated and uninsulated ferrules type YF. Unless otherwise noted, the tools have a trapezoidal crimp type.



Features and Benefits

- Ergonomic handle design to help ease installer fatigue
- Release mechanism
- Low handle force required

Catalog Number	Capacity	Crimp Profile	Weight	Handle Color
YF3206TOOL	32-6 AWG	Square	1.10 lbs	Black/Orange
YF2610TOOL	26-10 AWG	Trapezoidal	1.02 lbs	Blue
YF2214TOOL	22-14 AWG	Trapezoidal	1.05 lbs	Red
YF2210TOOL	22-10 AWG	Trapezoidal	1.05 lbs	Red
YF1006TOOL	10-6 AWG	Trapezoidal	1.05 lbs	Red
YF0801TOOL	8-1 AWG	Trapezoidal	1.80 lbs	Red
YF0401TOOL	4-1 AWG	Trapezoidal	1.50 lbs	Red/Blue
YF/03/0TOOL	1/0-3/0 kcmil	Trapezoidal	1.80 lbs	Red
YF4/0250TOOL	4/0-250 kcmil	Trapezoidal	1.80 lbs	Red

N-8



YF2214TOOL has one groove to accept 22-14 AWG range.



YF2610TOOL, YF2210TOOL, and YF1006TOOL have multiple grooves for range capacity.

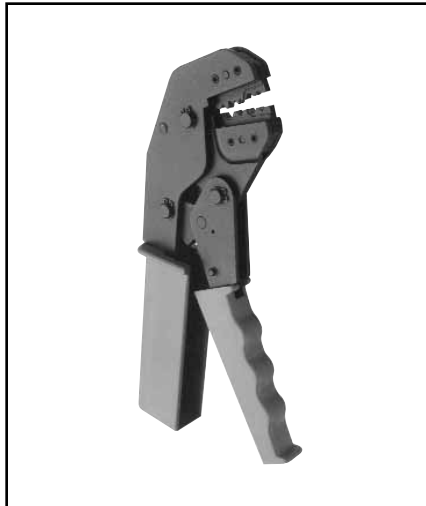
Blue highlighted items are industry standard and most frequently ordered.

Y8MRB-1

HYTOOL™

#22-8 AWG

Hand-held full cycle ratchet tool for #8-22 AWG uninsulated terminals and splices. Full cycle feature builds in reliability and removes the human factor from the finished installation. 5-year limited warranty.



SPECIFICATIONS

Length: 9-1/2"
Weight: 1.21 lbs.

FOR USE ON

BOX CAT. TYPES BULK CAT. TYPES

Uninsulated Terminals

T	YAD
T-F	YAD-F
YAV BOX	YAV
YAV-L BOX	YAV-L
YAV-T-F BOX	YAV-T-F
YAV-Z BOX	YAV-Z

Uninsulated Splices

YSV BOX	YSV
YSV-L BOX	YSV-L

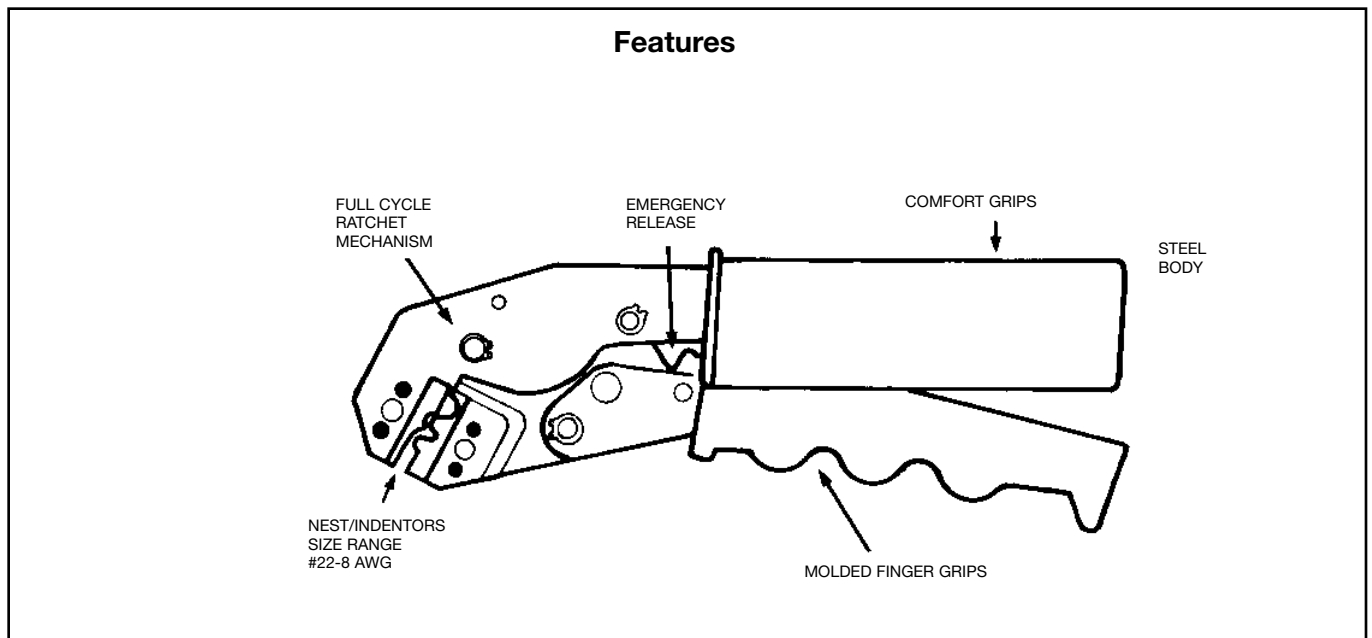
BENEFITS

- One tool to accommodate #22-8 AWG.
- Lightweight.
- Full cycle ratchet for positive crimping.
- Inspection (PG) gauges available to check each groove.

Groove Gauge#

#18	PG395-1
#14	PG396-1
#10	PG397-1
# 8	PG398-1

- Each indenter has its own identifying mark for inspectability.
- Jaw opening orientation, molded finger and palm grips and the easy reach frame minimize user fatigue.



N-9

Blue highlighted items are industry standard and most frequently ordered.

MR8

HYTOOL™

Full Cycle Ratchet Hand Tools

The Type MR8 series HYTOOLS™ incorporate a full cycle ratchet mechanism that provides a complete, positive crimp each time. Once started the ratchet mechanism does not allow the handles to be opened until after the full ratcheting cycle is completed. This provides for a completed crimp before a connector can be removed from the tool. The MR8 series of tools are specifically designed with the ratchet mechanism completely inside the body of the tool without a path to reach and defeat the mechanism. This permits the tools to be used in the most critical applications including nuclear-class 1E terminations, heavy duty industrial, utility generation, OEM, aircraft, and other applications where a dependable electrical termination is needed. 5-year limited warranty.



BENEFITS

- Lightweight aluminum permits easier continuous usage.
- One tool to accommodate #22-10 AWG.
- Easy groove identification with color-coded dies.
- Long life expectancy with fully protected ratchet mechanism.
- Easy one-hand tool operation with long handle length for greater mechanical advantage.
- 5-year limited warranty.

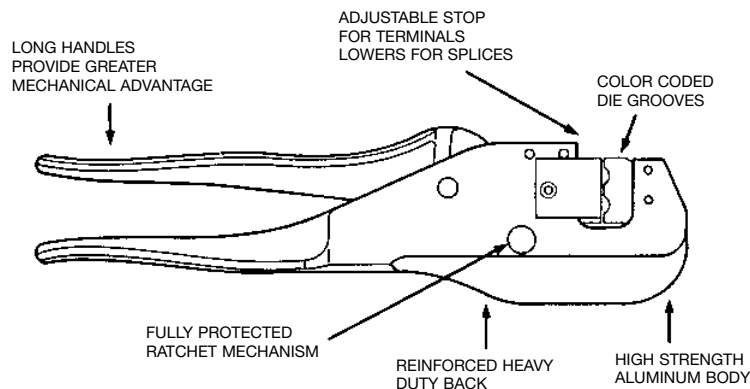
SPECIFICATIONS

Length: 10-1/2"
Weight: 1-1/2 lbs.

FOR USE ON

Tool	AWG Size Range	Connectors	
		Box Catalog Types	Bulk Catalog Types
MR8-1A	#10-22 AN Copper Cable	INSULUG™	YAE
MR8-9Q	#8-18 AN Copper Cable #10-22 AWG Sol. Cable #8-22 Str. AWG Cable	YAV BOX YSV BOX T T-F	YAV, YSV YAD, YAD-F
MR8-33S-1	#10-18	YSE BOX	YSE
MR8-33T-1	MIL-W-5086 Str.	YSE-H BOX	YSE-H
MR8-G96	#14-22	TP	BA
MR8-G98	#10-22	YAV, T	YAD, YAV

Features



N-10

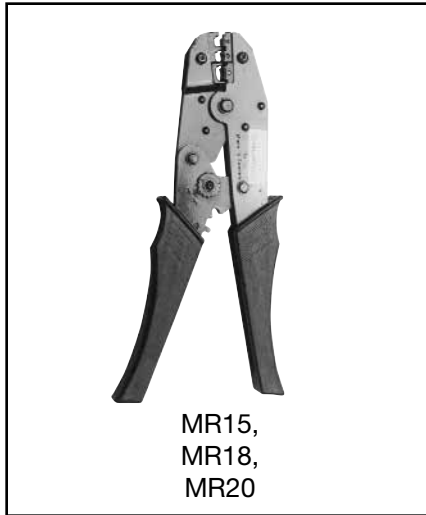
Blue highlighted items are industry standard and most frequently ordered.

MR15, MR18, MR20

HYTOOL™

Full Cycle Ratchet Hand Tools

The Types MR15, MR18 and MR20 series HYTOOL™ incorporate a full cycle ratchet mechanism that provides a complete, positive crimp each time. Once started the ratchet mechanism does not allow the handles to be opened until after the full ratcheting cycle is completed, unless the user actuates the emergency release lever. This provides for a completed crimp before a connector can be removed from the tool.



FOR USE ON

MR15 Vinyl Insulated Terminals and Splices (Wire Range 22-10 AWG)

Vinyl Terminals		Vinyl Splices	
TP	BA	SP	BS
TP-F	BA-EF		
TP-Z	BA-EZ		
TP-LF	BA-EL		

MR18 Nylon Insulated Terminals and Splices

Nylon Terminals		Nylon Splices	
TN		SN	
TN-F		SNM	
YAES		YSE-HN	
YAES-F		YSES	

MR20 Uninsulated Terminals and Splices

Terminals		Splices	
T	YAD-F	YSV	
T-F	YAV-H*	YSV-H*	
YAV	YAV-H-F*		
YAD			
YAV-T-F			

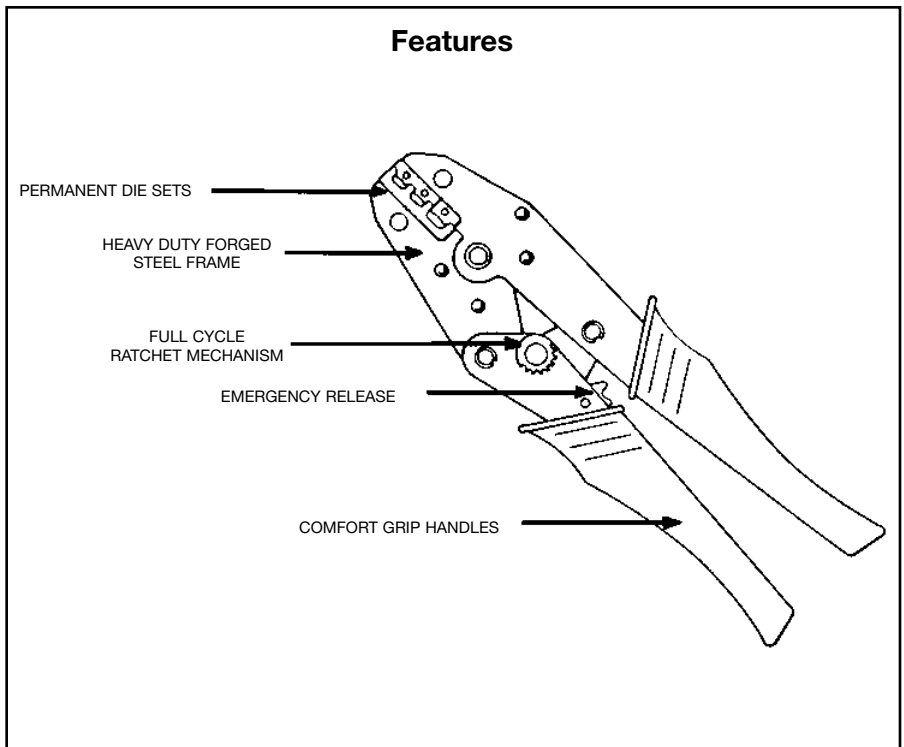
*Conductor crimps only.

SPECIFICATIONS

- Length:** 8.86"
- Weight:** 1.10 lbs.
- Open:** 5.90"
- Closed:** 2.50"
- Wire Range:** #22-10 AWG

BENEFITS

- UL listed for use with BURNDY® connectors.
- Fully ratcheted tool to assure properly crimped connections.
- Easy groove identification with color coded dies.
- Maximum crimping comfort grips.
- Compact, narrow nose to work in confined areas.
- 5-year limited warranty.



N-11

Blue highlighted items are industry standard and most frequently ordered.

MR4C

FULL CYCLE RATCHET HAND TOOL

For #9-4 AWG Uninsulated Terminals and Splices

Hand-held full cycle ratchet tool for #9-4 AWG uninsulated terminals and splices. Full cycle feature builds in reliability and removes the human factor from the completed installation. Long handles provide greater leverage. 5-year limited warranty.



SPECIFICATIONS

Length: 11-3/4"
Weight: 2-1/4 lbs.

FOR USE ON

Terminals	YAV-L YA-L
Splices	YSV YSM YS-L

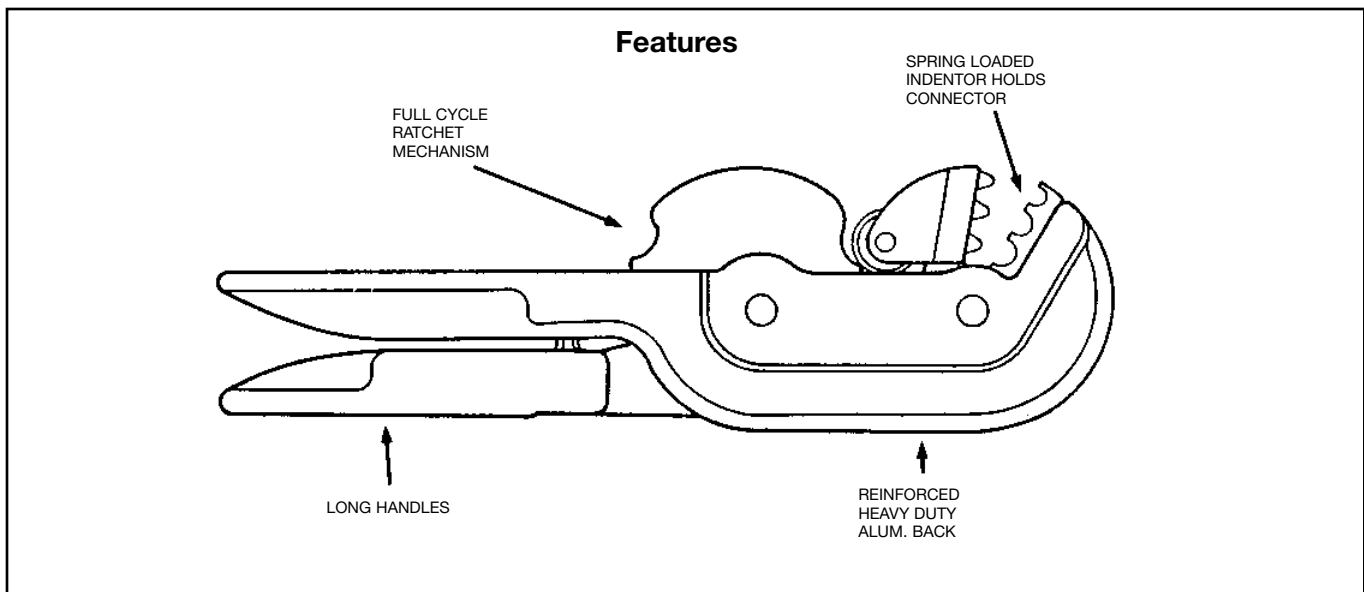
BENEFITS

- High strength aluminum body.
- Fully protected ratchet mechanism.
- Reinforced heavy duty back.
- Long handles provide greater mechanical advantages.
- Lightweight aluminum permits easier continuous usage.
- One tool to accommodate #9-4 AWG.
- Inspection (PG) gauges available to check each groove.

Groove		Gauge#
9-8	-	PG121-1
6	-	PG125-1
4	-	PG133-1

- Spring loaded indenter jaw holds connector in groove prior to crimping or ratchet engaging.
- 5-year limited warranty.

N-12

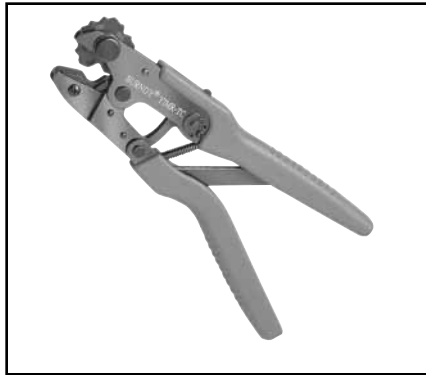


Blue highlighted items are industry standard and most frequently ordered.

Y1MRTC

HYTOOL™

#8 – #1 Copper HYDENT™ Terminals, Splices, and #6 – #6 Thin-Wall C-Taps



Type Y1MRTC mechanical full cycle ratchet HYTOOL™ will accommodate copper compression HYDENT™ connectors for #8 through #1 code conductor, #8 through #2 Class I flexible strand copper conductor, and #2 solid. The color coded die wheel rotates to provide a proper match of the die and color coded connector. The die index is embossed on the crimped connector for permanent inspectability. A ratchet mechanism assures the tool must complete a full cycle before releasing.

BENEFITS

- Rotating die is color coded to match color coded connectors
- Die index embossment allows permanent inspectability of installed connectors to insure consistently reliable and dependable connections.
- Molded comfort grips reduce fatigue during continuous use.
- Ratchet mechanism assures a complete crimp every time.
- Emergency release mechanism allows tool to be removed from connector in case of mistaken die choice or to reposition tool.
- 5-year limited warranty.

SPECIFICATIONS

- Length:** 9.875"
- Height:** 2.72" (closed)
- Width:** .73"
- Weight:** 1.7 lbs.
- Wire Range:** #8-#1 code conductor, #8-#2 Class I Flex, #2 Solid
Up to #6-#6 (Brown) type "YC-L C-TAP"

FOR USE ON

Cu Lug and Splice Connectors				
Copper Wire Size	Connector Catalog Types	Die Index # (Color)	# of Crimps Per Barrel Length	
			Std	Long
# 8 AWG Code & Flex	YA8C- YS8C- YAV8C- YSV8C-	49 (Red)	1	2
#6 AWG Code	YA6C- YS6C-	7 (Blue)	1	2
#6 AWG Code & Flex	YAV6C- YSV6C-			
#4 AWG Code	YA4C- YS4C-	8 (Grey)	2	4
#4 AWG Code & Flex	YAV4C- YSV4C-			
#3 AWG #2 Sol.	YA3C- YS3C-	9 (White)	2	4
#2 AWG Code	YA2C- YS2C-	10** (Brown)	2	4
#2 AWG Code & Flex	YAV2C- YSV2C-			
#1 AWG Code	YA1C- YS1C-	11** (Green)	2	4

** Die Index 10 (Brown Die) and 11 (Green Die) use the same die wheel crimp groove.

Die Index Number Embossment on Connector after Crimp for inspection verification.

Y1MRTC

Wire Range: #8-#1 AWG Class B, #8-#2 Class I Flex, #2 Solid & #3 Stranded

Y1MRKIT

Kit Contains:
Y1MRTC Full-cycle Ratchet Tool
Sturdy Metal Carrying Case

Terminals:
YA8CL, YA8CL1, YA6CL,
YAV6CLTC14FX, YA4CL,
YAV4CLTC14FX, YA2CL,
YAV2CLTC516FX, YA1CL

Splices:
YS8CL, YS6CL, YS4CL,
YS2CL, YS1CL

Y1MRTCKIT

Kit Contains:
Y1MRTC Full-cycle Ratchet Tool
Sturdy Metal Carrying Case

Terminals:
YA8CL2TC14, YA8CL2TC38,
YA6C2TC38, YA6CL2TC14,
YA6CL2TC14E1, YA6CL2TC14E2,
YA6CL2TC38, YAV6CL2TC14E2FX,
YAV6CL2TC14FX, YA4CL2TC14,
YA4CL2TC38, YA3C2TC38,
YA2C2TC38, YA2CL2TC38,
YA2CL2TC14

Thin-Wall C-Taps:
YC4L12

Cu C-Tap Connectors				
Catalog Number	Wire Size Cu Str. AWG		Die Index # (Color)	# of Crimps
	Run	Tap		
YC10L12	14	16-14	49 (Red)	1
	12	16-14		
	10	16		
YC8L12	10	10	7 (Blue)	1
	8	12		
YC6L12	8	10-8	8 (Grey)	1
	6	12-10		
YC4L12	6	8-6	10 (Brown)	2
	5,4	12-8		

N-13

Blue highlighted items are industry standard and most frequently ordered.

M8ND

HYTOOL™

Full Cycle Ratchet Hand Tool

#8-26 AWG Terminals and Splices

Hand-held full cycle ratchet tool for #8-26 AWG terminals and splices. Full cycle feature builds in reliability and removes the human element from the completed installation. Long handles provide greater leverage. 5-year limited warranty.



SPECIFICATIONS

Length: 10-3/4"
Width: 1-3/4"

FOR USE ON

Terminals

YAD	BA-E
YAD-F	BA-EF
YAE	BA-ES
YAE-F	BA-EZ
YAE-Z	BA-EL
YAES	
YAEV-H	
YAEV-L	
YAV	
YAV-F	
YAV-H	
YAV-H-F	

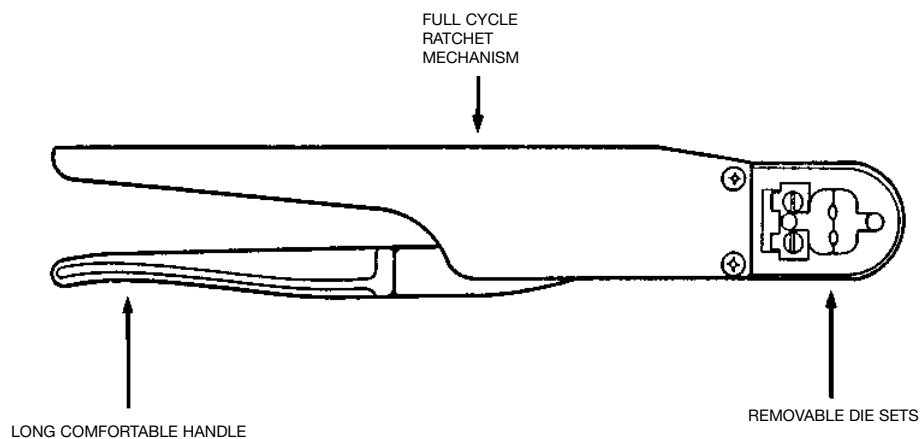
Splices

YSV	YSM
YSV-H	YRV-L

BENEFITS

- Fully protected ratchet mechanism.
- Reinforced heavy duty back.
- Long handles provide greater mechanical advantages.
- Uses all standard BURNDY® "N" dies.
- Easy groove identification with color-coded dies.
- 5-year limited warranty.

Features



N-14

Blue highlighted items are industry standard and most frequently ordered.

MRC840 AND MRC840AL

HYTOOL™

Hand-Operated Tool

#8 - 4/0 AWG Non-Insulated Copper and Aluminum Terminals and Splices

The MRC840 Mechanical Rotating Crimp tool will accommodate BURNDY® copper compression YA and YS series of HYLUG™ and HYLINK™ terminals and splices from #8 - 4/0 AWG stranded copper conductor. The MRC840AL Mechanical Rotating Crimp tool for Aluminum HYLUG™ and HYLINK™ terminals and splices from #8 - 4/0 AWG aluminum and copper conductors. Butting steel jaws and over center cam action assure full crimp force.

The rotatable die wheel is color-coded and stamped with the conductor size to provide an easy match of the die and color-coded BURNDY® HYDENT™ terminals and splices. YA, YS, YA-A and YS-A series of copper and aluminum terminals and splices are UL Listed when installed with these tools. Each tool comes complete with a 5-year limited warranty.



SPECIFICATIONS

Length: 26"
Height: 8"
Weight: 8-1/4 lbs.

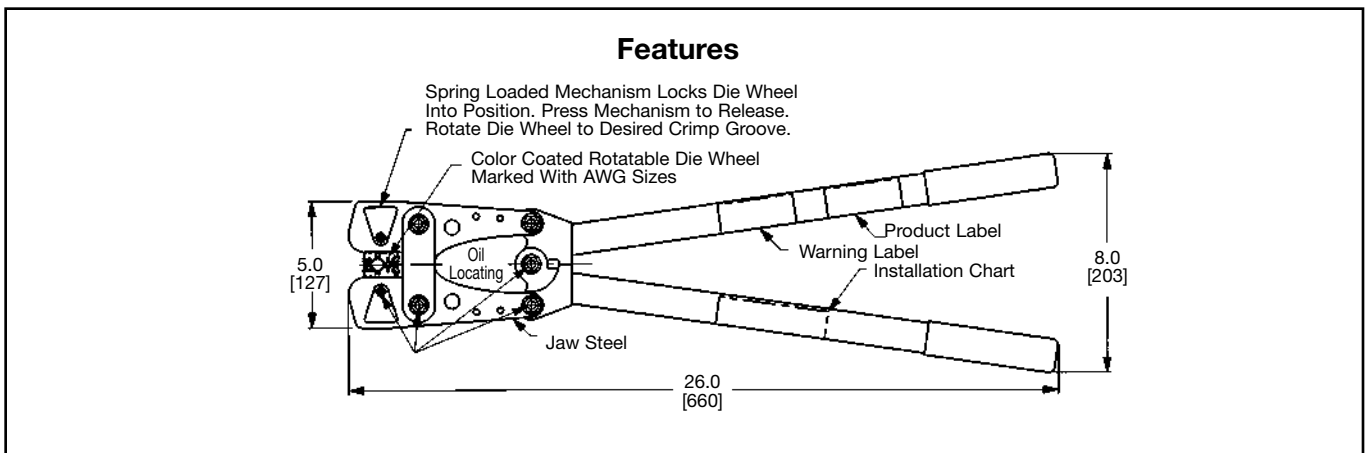
FOR USE ON

- MRC840** #8 - 4/0 AWG Copper Terminals and Splices (YA, YA-L, YS, YS-L)
- MRC840AL** #8 - 4/0 AWG Aluminum Terminals and Splices (YA-A, YS-A)

Features and Benefits

- Comfort grip handles.
 - ◇ Aids in prevention of hand slippage.
 - Reduces fatigue during continuous use.
- Heat treated steel jaws
 - ◇ Reduces jaw buckling and misalignment under heavy loading.
- Approximately 9,000 crimp cycle life.
 - ◇ Lasts longer than imitations and will still be working when others have worn out.
- Multiple grip selections on rotatable die wheels.
 - ◇ No lost dies, 9 position color-coded rotatable die wheels.
- High strength fasteners.
 - ◇ Increase tool life by reducing tool wear.
- Plated jaws.
 - ◇ Provide enhanced corrosion protection.
- Engraved crimp groove (Die index number).
 - ◇ Die index embossment allows permanent inspectability of installed connectors to ensure consistently reliable and dependable connections.

N-15



Blue highlighted items are industry standard and most frequently ordered.

MY

DIELESS HYTOOL™

#8 Str. through 250 kcmil Copper,
#8 Str. through 4/0 Str. Aluminum
Conductors

BENEFITS

- Save on capital investment with the type MY HYTOOL™ that accommodates a wide range of connector/conductor combinations from #8 str.-250 kcmil.
- Save time, money, and lower installed cost with the original dieless MY tool design. No separate dies required to purchase or to lose.
- Fast and easy tool setting for the connector/conductor combination simply by aligning the white scribe on the nest die with the wire size on the gauge for proper crimping results.
- Easy to adjust nest die with knurled steel knob and machine threads.
- Quality tool with precision machines indenter, component parts and tool body.
- Fast, medium and high volume crimping is easily accomplished by bench mounting the type MY tool in the BMY-BCH-MT bench mount adapter. A single bolt holds the MY HYTOOL™ securely using the .31 dia. mounting hole in the bench mount adapter.



BENEFITS (Continued)

- High quality rugged tool design manufactured from heavy duty forged steel with strong reinforced back and handles.
- Covered handles available on the MY29-3C, MY29-11C and MY29-3CF HYTOOL™.
- Comfort grip handles for long periods of usage.
- Compression terminals and splices are UL listed and CSA Certified when installed with type MY HYTOOL™.
- 5-year limited warranty.

SPECIFICATIONS

- Length:** 22.65"
- Width:** 8 lbs. approx.
- Depth:** 4.86"
- Width:** 1.12"

Bench Mount Adapter
Cat. No. **BMY-BCH-MT**

FOR USE ON

Tool	Connectors
MY29-3	
MY29-3C	Copper-YA, YA-L, YS-L
MY29-3CF	Aluminum-YA-A, YS-A
MY29-11	Copper-YA, YA-L, YS
MY29-11C	YAV-FX YS-L, YAV-L, YSV-L
MY28	YAV-L, YSV-L
MY28-4	YAV-A-L, YSV-A-L, YAV-A-R
MY28-6	YAE-L, YAEV-RS, YAEV-H, YAEV-RH

ACCESSORIES

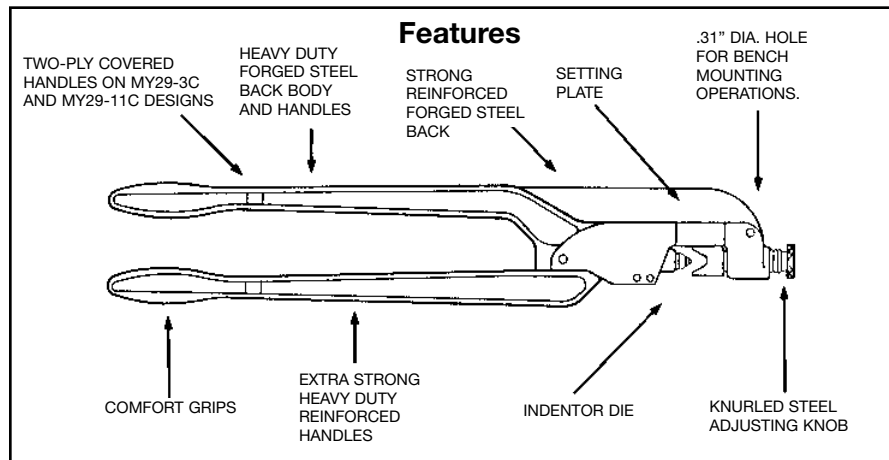
BMY-BCH-MT Bench Mount Adapter

MY29 UNIVERSAL KIT Contents:

1 EA	MY29-11
50 EA	YA8CLBOX
50 EA	YAV6CLTC14FX
50 EA	YAV4CLTC516FX
50 EA	YAV2CLTC516FX
50 EA	YAV1CLTC38FX
10 EA	YAV25LTC38FX
10 EA	YAV26LTC516FX
10 EA	YAV27LTC12FX
10 EA	YAV28LTC12FX
10 EA	YA29LBOX
1 EA	CASE

MY29-3	#8 str.-250 kcmil Copper commercial (code) cable
MY29-3C (covered handles)	30 Navy-250 Navy Copper Navy Cable
MY29-3CF (fully covered)	#8 str.-4/0 str. Aluminum commercial (code) cable
MY29 UNIVERSAL KIT	#8 str.-250 kcmil Copper commercial (code) cable
MY29-11	30 Navy-250 Navy Copper Navy cable
MY29-11C (covered handles)	#8 str.-4/0 str. Flexible copper mine machine cable
MY28	#8 str.-4/0 str. Copper aircraft cable
MY28-4	#8 str.-4/0 str. Aluminum aircraft cable
MY28-6 (nylon covered connector)	#8 str.-2/0 str. Copper aircraft cable (flexible)

Features



Blue highlighted items are industry standard and most frequently ordered.

OH25

HYTOOL™

**One-Hand Operation,
Dieless, Full Cycle Ratchet Tool**

Installs service entrance splice connectors. Conductor range: #10 through 1/0.

The OH25 incorporates a full cycle ratchet and cam mechanism allowing an easy, one-hand crimping operation. The ratchet mechanism provides for properly completed crimps every time before the tool can be removed from the connection. The OH25 is designed to install 5/8" INSULINK™ and LINKIT™ service entrance connectors with only (1) crimp per connector end, speeding installation time. The single crimp covers the complete contact area, eliminating possible overlapping or failure to make the proper number of crimps. 5-year limited warranty.



SPECIFICATIONS

- Handle force:** 50 lbs. max.
- Max force developed:** 6,000 lbs.
- Weight:** 2 lbs. 11 oz.
- Length:** 12-1/4"

ACCESSORIES

Leather Holster
Cat. No. **PT4583**

No-Go Gauge
Cat. No. **PT8504**

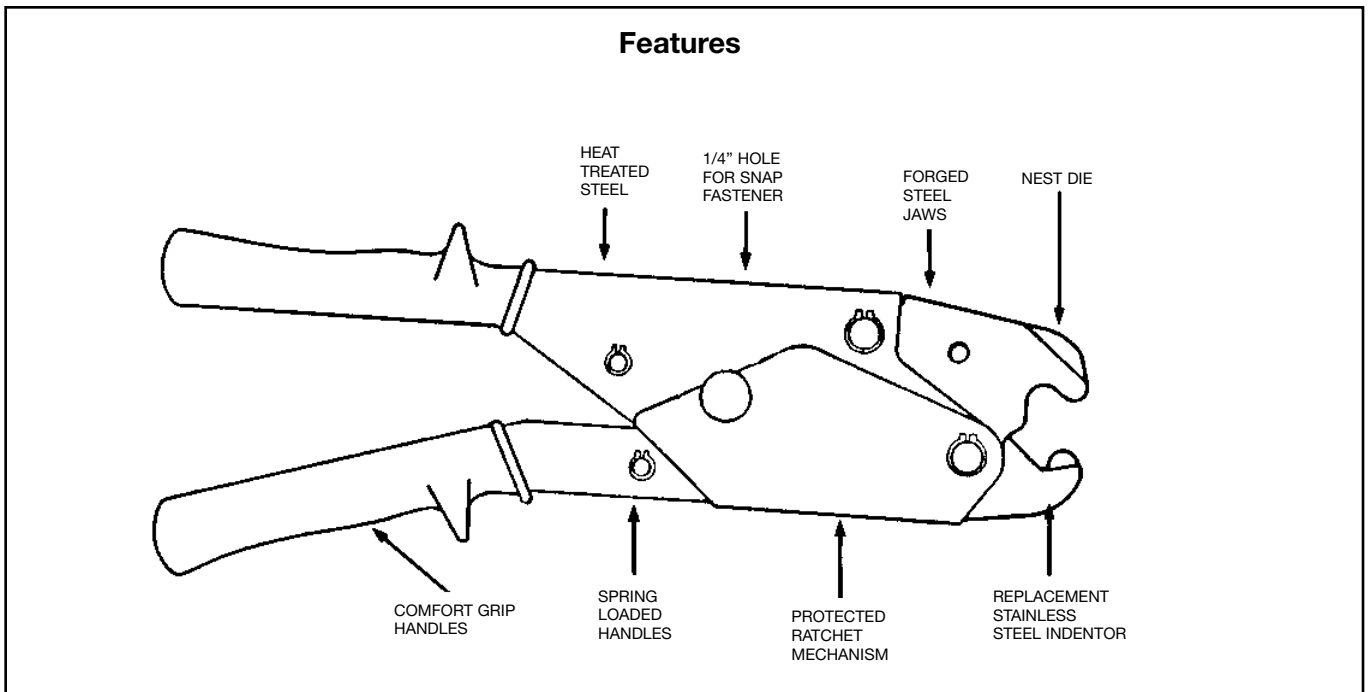
The PT8504 NO-GO Gauge is used to check the OH25 HYTOOL™ crimp dimensions.

FOR USE ON

- 5/8" Service entrance sleeves
- INSULINK™ Type ES (insulated) #10 through 1/0 str.
- LINKIT™ type YSU (bare) #8 through 1/0 str.
- 5/8" neutral tension sleeves HYSPLICE™ types YS-S YCS-R YDS-AT #4 through 1/0.
- AYP HYPLUG™ #6-1/0 str.

BENEFITS

- One crimp speeds installation.
- No dies to lose.
- Long dependable life with forged steel jaws and stainless steel indenter.
- Convenient hole to hang tool.
- Protection of internal parts provides long life.
- Ratchet mechanism provides proper crimp and uniform quality installations.
- Easy one-hand tool operation with spring loaded comfort grip handles.
- Proven reliable with years of dependable service.
- 5-year limited warranty.



Blue highlighted items are industry standard and most frequently ordered.

OUR840

840 POPPER HYTOOL™

One-Handed Operation,
Overhead/Underground,
Full Cycle Ratchet Tool
Installs a Range of Connectors
(Taps, Splices, Terminals)

The OUR840 incorporates a full cycle ratchet and cam mechanism allowing an easy, one hand crimping action. Designed for low maintenance operation. The OUR840 has a five (5) year warranty. The ratchet mechanism provides for properly completed crimps every time before the tool can be removed from the connection. With nest and indenter dies, it will install 5/8" INSULINK™ and LINKIT™ service entrance connectors with only one (1) crimp per end. With the use of reduced handle force "X" dies, additional splices, taps, and terminals can be properly installed. The die inserts snap into the permanent groove easily with one hand and lock securely in the tool with the spring loaded positive lock die retainer buttons. Tool operation is simple:

- A. Slip the tool over the connector.
- B. The first few strokes grip the connector.
- C. Stroke until automatic tool release signifies a completed compression.

INSTALLATION TOOLING

N-18

Conductor (Copper)	Connector (Copper)			OUR-840		
	HYLUG™ Terminal	HYLINK™ Splice	Color Code	Die	Die Index	(# Crimps) Std. Long
#8 AWG Str.	Y8C-	YS8C-	Red	X8CRT	49	1 2
#6 AWG Str.	Y6C-	YS6C-	Blue	X6CRT	7	1 2
#5 AWG Str.	Y5C-	YS5C-	Blue	X5CRT	7	1 2
#4 AWG Str.	Y4C-	YS4C-	Gray	X4CRT	8	1 2
#2 AWG Str.	Y2C-	YS2C-	Brown	X2CRT	10	1 2
#1 AWG Str.	Y1C-	YS1C-	Green	X1CRT	11	1 2
1/0 AWG Str.	YA25-	YS25-	Pink	X25RT	12	2 4
2/0 AWG Str.	YA26-	YS26-	Black	X26RT	13	2 4
3/0 AWG Str.	YA27-	YS27-	Orange	X27RT	14	3 6
4/0 AWG Str.	YA28-	YS28-	Purple	X28RT	15	3 6
250 kcmil	YA29-	YS29-	Yellow	X29RT	16	4 8

WVT Dies may be substituted

Conductor (Aluminum)	Connector (Aluminum)			OUR-840		
	HYLUG™ Terminal	HYLINK™ Splice	Color Code	Die	Die Index	No. of Crimps
#8 AWG Str.	Y8CA-	YS8CA-	Blue	X8CART	374	2
#6 AWG Str.	Y6CA-	YS6CA-	Gray	X6CART	346	2
#4 AWG Str.	Y4CA-	YS4CA-	Green	X4CART	375	3
#2 AWG Str.	Y2CA-	YS2CA-	Pink	X2CART	348	4
#1 AWG Str.	Y1CA	YS1CA	Gold	X1CART	471	3
1/0 AWG Str.	YA25A-	YS25A-	Tan	X25ART	296	4
2/0 AWG Str.	YA26A-	YS26A-	Olive	X26ART	297	4
3/0 AWG Str.	YA27A-	YS27A	Ruby	X27ART	467	4
4/0 AWG Str.	YA28A-	YS28A-	White	X28ART	298	6



BENEFITS

- Allows proper crimping of sleeves and terminations in crimping underground applications.
- Proper crimps are assured with butting surface inspection and full cycle ratchet mechanism.
- Uses reduced handles force "X" dies.
- One tool for most service applications.
- Improved service through redesign and improvement of many internal parts.
- Easy visual field check for proper tool adjustment with butting surfaces.
- Easier tool operation is provided with mini strokes and anti-slip grips.
- Nest and indenter dies available.
- W-28K cutter die permits use of OUR840 tool as a cable cutter. Conductor range: #4-4/0 ACSR. Aluminum and Copper.
- UL Listed connections when color coded "X" dies are used on BURNDY® connectors.
- 5-year limited warranty.

SPECIFICATIONS

Max. Crimp Force: 8,000 lbs.
Max Handle Force: 8 lbs. approx.
Weight: 2 lbs. 14 oz.
Length: 13"

FOR USE ON

SELECTED APPLICATIONS

Copper connectors from #8 AWG to 250 kcmil
 Aluminum connectors from #8 AWG to 4/0 AWG

ACCESSORIES

Cat. No. **PT4583** Leather Holster

- Top grain cowhide saddle leather.
- Large grommet. (Order Separately)

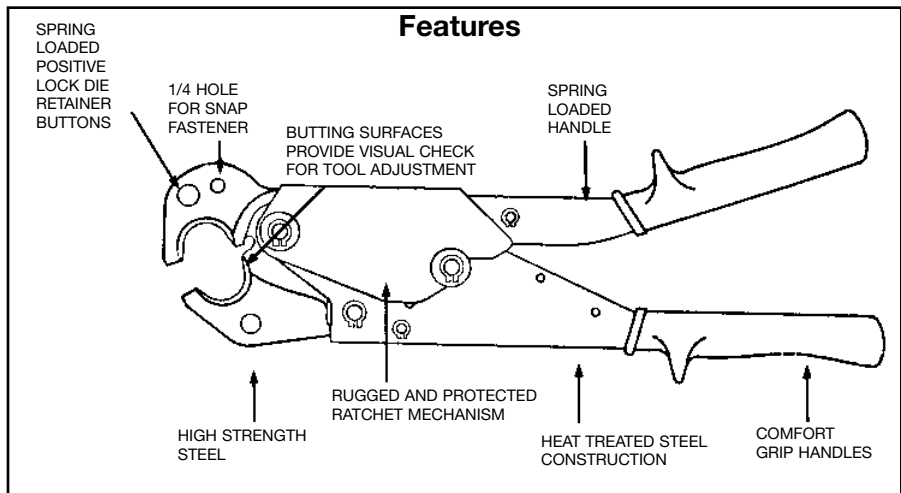
OUR840-WC Metal carrying case with die tray.

- Holds one (1) OUR840 and up to eleven (11) "X" dies. Dies not included. (Order Separately) OUR840 DIES

X-Dies Catalog Number	Die Index	Recommended "W" Die Crimp Ratio
XNBG	BG	2*
XBG	BG	2
X161	161	3*
X241	241	2
X245	245	2
X247	247	2
X249	249	2
X660	660	2
X840	840	1
XOH25	-	OH 25 Equiv.

* Overlap crimps

• "W" Dies with a die index listed above are not recommended for the OUR840. Since the standard "W" Dies are wider than the "X" Dies, additional crimps are required depending on the connector and the die index.



Blue highlighted items are industry standard and most frequently ordered.

MD6-8

HYTOOL™

Hand-Operated Tool

Installs full range of connectors (taps, splices, terminals): #14 through 4/0. Applications: Full Tension and Non-Tension.

The MD6-8 has a five (5) year warranty and is designed to provide over 90,000 reliable crimps installing full-tension and non-tension connectors.

The MD6-8 installs almost all of the line, pole and house connections in the Burndy Compression Connector Program with only one (1) extra die set (W-BG). The tool has two (2) permanent die grooves, “O” and “D₃” for distribution tap connectors. The “D₃” groove also serves as a seat for die inserts to install additional splices, taps and terminal connectors. The die inserts snap into the D₃ groove easily with one hand and lock securely in the tool with the spring loaded positive lock die retainer buttons.

The MD6-K accepts KEARNEY™ type “O” dies and BURNDY® “W” and “X” dies with the KWADP adapter.

KEARNEY™ is a registered trademark of COOPER TECHNOLOGIES COMPANY.

BENEFITS

- Proper crimps are assured with butting steel jaws.
- No additional dies required for “O” and “D₃” size tap connectors.
- Increased strength and greater bearing area is provided with larger steel bolts.
- Fast, easy, one-hand die insertion.
- No lost dies with spring loaded positive lock die retainer buttons.
- Easy visual field check for proper tool adjustment with orange alignment guide lines.
- Over 90,000 crimps provided with Teflon impregnated steel backed bronze bushings.
- Full crimp force assured with over center cam action.
- Easy tool adjustment with allen wrench.
- Operator protection provided with butt stops and heat shrink tubing.
- Long life expectancy provided with select clear hickory handles and lightweight high strength aluminum alloy castings.
- Easier tool operation is provided with bent handles and anti-slip grips.
- The “D₃” groove accommodates the complete line of type “W-” die inserts.
- 5-year limited warranty.



MD6 Tool Variations

- MD6** Standard MD6 with permanent “BG” (5/8”) and “D₃” grooves. Installs CABLELOK CRIMPIT and HYCRIMP™ Tap Connectors with one additional die insert (W-O). All other tool features and connector ranges are the same as the MD6-8 described above.
- MD6-4** Standard MD6 with permanent “BG” (5/8”) and “D₃” grooves and straight fiberglass handles 24” long. Fiberglass rated at 100 kV per foot for 5 minutes.
- MD6-14** Standard MD6 with permanent “BG” (5/8”) and “D₃” grooves and straight fiberglass handles 19” long including bent aluminum grips. Fiberglass rated at 100 kV per foot for 5 minutes.
- MD6-12** Standard MD6-8 jaws with permanent “O” and “D₃” grooves and straight fiberglass handles 24” long. Fiberglass rated at 100 kV per foot for 5 minutes.
- MD6-6** “Snub-Nose” variation of MD6 has a permanent “D₃” groove in jaw. Recommended for use where space for tool jaw is limited.
- MD6-37** Permanent 161, 162, 163, 171 dies in the jaw (J, M&P, T & X).
- MD6-38** Permanent K, BG, C, dies in the jaw.
- MD6-K** “Snub-Nose” permanent KEARNEY™ groove.

SPECIFICATIONS

- Crimp Force: 9,000 lbs.
- Length: 25-3/8”
- Weight: 6 lbs.

Quality Unsurpassed!

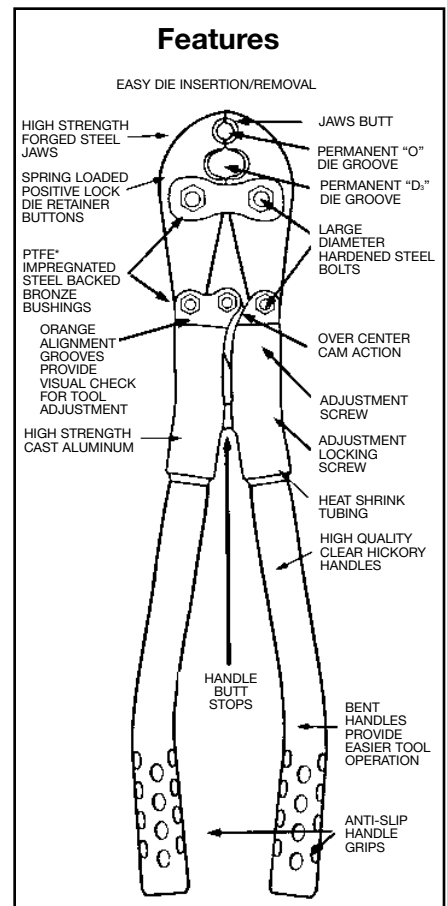
Life cycle tested under full operating forces for over 90,000 cycles successfully without adjustment or any parts replacement.

FOR USE ON

- Copper, Aluminum, ACSR, Copperweld, Alumoweld, Steel, 6201, 5005, Compressed and compact conductors.
- Copper Taps: #10 sol.-2/0 str.
- Aluminum, ACSR Taps: #14 sol.-4/0 ACSR
- Stirrups: #6 ACSR-4/0 ACSR
- Overhead Full Tension Deadend, Full Tension Splices, Non Tension Splices, and Terminals Conductor Range: #10 str.-4/0 ACSR.
- Code conductor connectors: #6-4/0 str. Copper and Aluminum

To Check Tool Adjustment

Simply close the tool handles until the jaws initially butt. When the orange alignment grooves are in line, the tool is in correct adjustment.



Blue highlighted items are industry standard and most frequently ordered.

MD7 POSI-PRESS

HYTOOL™

Hand-Operated Tool

The MD7 POSI-PRESS HYTOOL™ is a composite polymer handle installation tool that requires no adjustment for the life of the tool. This assures users of the MD7 tool, that all connections installed with the MD7 POSI-PRESS HYTOOL™ are consistent and reliable over the life of the tool. This new technology tool provides a visual wear indicator that makes verification of the tool's condition easy to determine. Once the tool has worn beyond its useful life, it can be returned to BURNDY's Tool Repair Center for re-fitting at a fraction of the price of a new tool.

Installs full range of connectors, (taps, splices, terminals): #14 Awg through 4/0 AWG.

Applications: Full-Tension and Non-Tension.

The MD7 series of tooling has a five (5) year warranty and is designed to provide over 99,000 reliable crimps installing both full-tension and non-tension connectors.

The MD7-8 POSI-PRESS HYTOOL™ installs almost all of the line, pole, and house connections in the Burndy Compression Connector Program with only one (1) extra die set (W-BG). The MD7-8 tool has two (2) permanent die grooves, "O" and D₃ for distribution tap connectors. For other tool versions, see the MD7 Tool Variations sections below. The "D₃" groove also serves as a seat for die inserts to install splices, taps, and terminal connectors. The die inserts snap into the "D₃" groove easily with only one hand, and lock securely in the tool with the spring loaded, positive lock, die retainer buttons. Handles have been tested at 100 kV per foot for five (5) minutes.



FEATURES

- Ergonomically designed, one-piece, composite polymer handles.
- Comfort grip handles.
- Time-proven steel jaw designs.
- No tool adjustment required.
- 99,000 crimp/cycle life.
- Positive lock, spring loaded die retainer buttons.
- Permanent "D₃" die groove.
- PTFE impregnated steel/bronze bushings and stainless steel pins.
- Electroless nickel plated jaws and jaw links.

BENEFITS

- Easier tool operation due to unique handle design, and anti-slip grips.
- Improves operation by preventing slipping.
- Proper crimps are assured with butting jaws.
- Provides reliable and consistent crimps every time.
- Lasts up to 6 times longer than cheap imitations, and will still be working when others have long since worn out.
- No lost dies and one-hand die insertion.
- Allows use of the complete line of Burndy "W" and "X" die inserts.
- Increases life of tool by reducing tool wear.
- 5-year limited warranty.

SPECIFICATIONS

- Crimp force:** 9,000 lbs.
60 lbs. Handle Force
- Length:** 25"
- Width:** 8" (at handle end)
4-1/2" (at jaw end)
- Width:** 7 lbs.

Unsurpassed Quality that no one else can match!

Life cycle tested under the full range of operating forces for over 99,000 cycles successfully without failure or any parts replacement.

FOR USE ON

- Copper, Aluminum, ACSR, Copperweld, Alumoweld, Steel, 6201 5005.
- Compressed and compact conductors
- Copper Taps: #10 sol. - 2/0 str.
- Aluminum, ACSR Taps: #14 sol. - 4/0 ACSR
- Stirrups: #6 ACSR - 4/0 ACSR
- Overhead Full Tension Deadend, Full Tension Splices, Non Tension Splices, and Terminals Conductor Range: #10 str. - 4/0 ACSR
- Code conductor connectors: #6 - 4/0 str. Copper and Aluminum

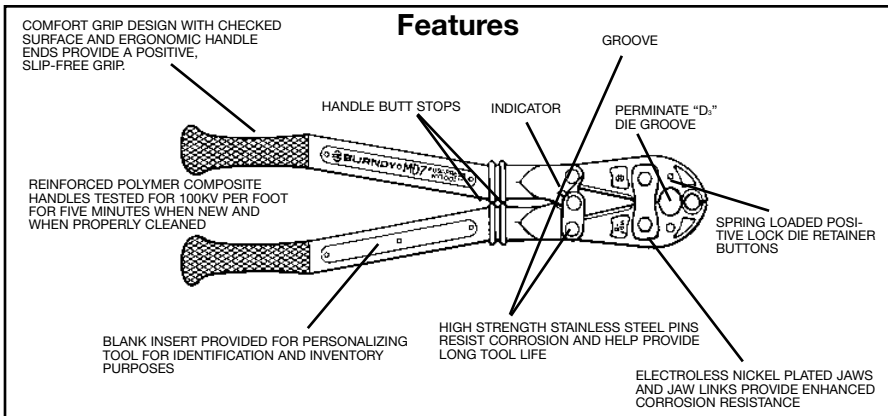
MD7 Tool Variations

MD7-8 MD7 with permanent "O" and "D₃" grooves. Installs almost all of the line, pole, and house connections in the Burndy Compression Connector Program with only one (1) extra die set (W-BG).

MD7-6 "Snub-Nose" variation of MD7 has a permanent "D₃" groove jaw. Accepts the full-line of BURNDY® "W" and "X" die inserts. Recommended for use where space for tool jaw is limited.

MD7 Standard MD7 with permanent "BG" (5/8") and "D₃" grooves. Installs Cablelok Crimpit and HYCRIMP™ Tap connectors with one (1) additional die insert (W-O). All other tool features and connector ranges are the same as the MD7-8.

N-20



Blue highlighted items are industry standard and most frequently ordered.

MD7-34R POSI-PRESS

HYTOOL™

Hand-Operated Full Cycle Ratchet Tool

The MD7-34R POSI-PRESS HYTOOL™ has a full stroke ratchet that assures the user has cycled the tool completely for a consistent crimp every time. The tool handles are manufactured from a new reinforced composite polymer that requires no adjustment for the life of the tool. This new tool design assures users that all connections installed with the MD7-34R are consistent and reliable over the life of the tool. A visual wear indicator provides easy verification of the tool's condition. An emergency ratchet release allows tool removal in case of mistaken die choice or to reposition tool. The MD7-34R crimps color coded lugs and splices for #8-500 kcmil class B code conductor and #8-350 kcmil Cu Flex conductor. It will also crimp thin wall C-Taps from #12 - 3/0 AWG class B code conductor. The color coded W-VT dies snap into the jaw grooves easily with only one hand and lock securely into the tool with the spring loaded, positive lock, die retainer buttons. The die index number is engraved in the crimping groove to emboss the finished connection. This makes inspection and verification of proper installation an easy process. Due to the one piece handle design, if the tool ever wears beyond it's useful life, it can be returned to BURNDY's Tool Repair Center for refitting at a fraction of the price of a new tool. A rubber covered version, the MD7-34R-C, is available.



FEATURES

- Full Stroke Ratchet Mechanism.
- Ergonomically designed, one piece, composite polymer handles.
- Comfort grip handles.
- Time-proven forged steel jaw designs.
- No tool adjustment required.
- Positive lock, spring loaded die retainer buttons.
- PTFE impregnated steel/bronze bushings and stainless steel pins.
- Color Coded Dies.
- DIE index embossed on finished connection.

SPECIFICATIONS

- Crimp force:** 9,000 lbs.
- Length:** 26"
- Width:** 8" at handles 4-1/2" at jaws
- Jaw Covering:** EPDM Rubber (MD7-34RC).
- Handle Material:** Reinforced composite polymer
- Warranty:** 5 years

MD7-34 Tool Variations

- MD7-34R** - #8-500 Cu HYDENT™, Full Stroke Ratchet
- MD7-34R-KIT1** - MD7-34R, metal carrying case and all dies for #8-500 kcmil Cu HYDENT™ and C-Taps
- MD7-34** - Supplied without the ratchet mechanism
- MD7-34-KIT1** - MD7-34, metal carrying case, and all dies for #8-500 kcmil Cu HYDENT™ and C-Taps for #12 - 3/0 AWG.

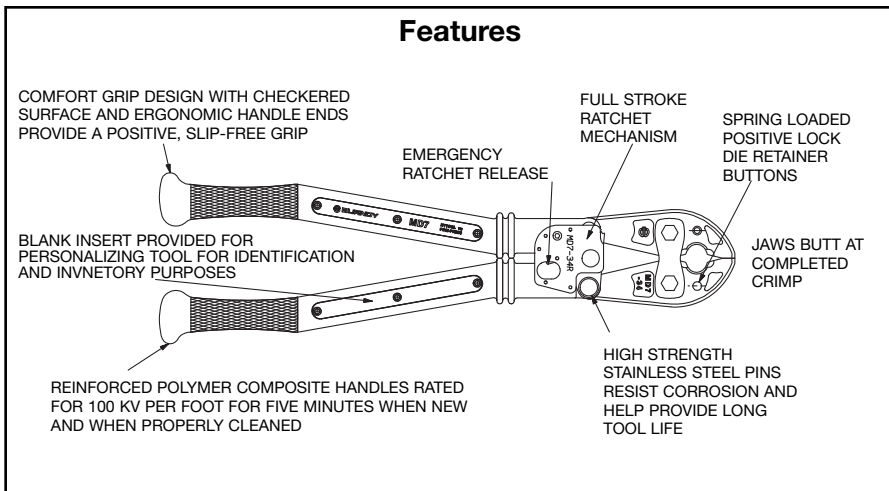
FOR USE ON

- Copper Lugs and Splices #8-500 kcmil. Types YA, YA-L, YA-L-TC, YA-L-NT, YS-L, YS, YST, YA-TC
- Copper Lugs and Splices #8-350 kcmil Flex. Types YAV-L-TC-FX, YA-LB, YA-TC-FXB, YSV-L, YAV-L-NT-FX, YAV-L-FX, YAV-FXB
- Copper Battery Lugs #8-350 kcmil Flex. Types YAG-TC-LD
- Thin wall C-taps #12 - 3/0 AWG. Types YC-L

BENEFITS

- Easier tool operation due to unique handle design, and anti-slip grips.
- Grips and handle knobs improve operation by preventing slipping.
- Butting jaws assure proper crimps.
- Wear indicator allows instant inspection of calibration.
- Full cycle ratchet assures complete consistent crimp.
- High grade hardware increases tool life and durability.
- Allows use of complete line of BURNDY® W-VT, W-RT and X-RT series dies.
- Color Coded dies simplify selection of correct connector and die combinations.
- Die index embossment on crimp provides easy inspection and quality assurance.
- 99,000 crimps without needing adjustment.
- 5-year limited warranty.

N-21



Blue highlighted items are industry standard and most frequently ordered.

MD6/MD7

TOOLING ACCESSORIES

Dies for Special Applications

(See present installation tool index in reference section for complete W-Die listing.)

W-BG

The W-BG die is a double groove die set requiring only one (1) crimp groove on service entrance sleeves and only 1/2 the number of crimps on other 5/8" sleeves.

W-28K

The W-28K cutter die permits use of MD6/MD7 type tools as a cable cutter. Conductor range: 4-4/0 ACSR, Aluminum or Copper.

Protective Jaw Covers



Cat. No. MD6-CP1

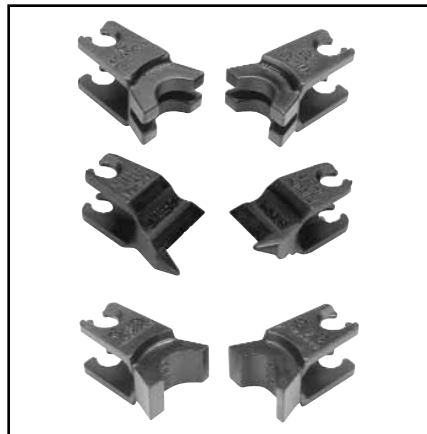
The laminated vinyl covers, are provided for the MD6/MD7 HYTOOL™ to avoid damage. Compact in size, the covers snap easily into place over the jaw edges without obstructing vision.

The MD6-CP1 fits all MD6/MD7 tool variations except the Snub-Nose MD6-6/MD7-6 type design. Supplied as a set.



Cat. No. PT6744

The semi-rigid Neoprene cover, a non-conductive material, is provided for the MD6-6 "Snub-Nose" HYTOOL™ to avoid damage. Fits all MD6-6 Snub-Nose variations.



Non-Bowing Dies

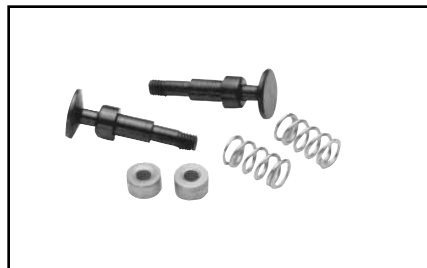
Cat. Nos. W-687 and W-702

The Non-Bowing die sets install one-piece, full-tension UNISPLICE™ sleeves on ACSR conductors without bowing.

UNISPLICE™ ONE-PIECE SLEEVES:

W-687 Installs: #4 ACSR 6/1, 7/1-YDS4RL and YDS4RLY
#2 ACSR 6/1-YDS2RL and YDS2RLY

W-702 Installs: #2 ACSR 7/1-YDS021RL and YDS021RLY
1/0 ACSR-YDS25RL and YDS25RLY



PT4931-1 Die Button Repair Kit



Cat. No. PT4925

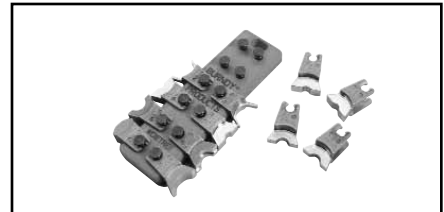
Canvas Bag
The PT4925 is a sturdy canvas bag for protecting the MD6/MD7 tools with or without rubber covers plus up to (9) die sets. Dies purchased separately.



Cat. No. CASEWDIES

Compact Die Case

Compact die case for (12) "W" or "X" die sets. Dies purchased separately.



Cat. No. WDIETREE

W Die Holder

This innovative W-Die Holder replaces the standard metal carrying case designed for BURNDY® W-Dies. Its straight forward design allows for easy insertion of the W-Dies onto the holder, providing greater flexibility and secure storage.



Cat. No. PT4952-1

Steel Carrying Case

The PT4952-1 steel carrying case provides storage and protection for the MD6 tools with or without rubber covers plus up to (18) die sets. Tool and die sets not included. Fits MD6, MD6-6, MD6-8, MD6-14, MD6-37, MD6-38, MD7 and MD7-6.



Cat. No. PT6733

Hot-Line Tool Carrying Bag

The PT6733 is a heavy-duty, adjustable canvas bag for the storage and protection of Hot-Line Tools. The bag accommodates 48", 60" and 72" variations of the MD6 and Y35 Hot-Line Tools.

Blue highlighted items are industry standard and most frequently ordered.

MD6R

HYTOOL™

Full-Cycle Ratchet Tool

Installs full range of connectors (Taps, Splices, Terminals): #6 through 4/0 AWG.

Applications: Overhead and underground — full-tension and non-tension. Use MD6-6R2 for code cable terminals and splices through 500 kcmil copper.

The MD6R full-cycle ratchet tool installs all the same connectors using the same “W”-type dies that the MD6 tool installs plus the addition of code cable connectors through 500 kcmil copper.

A maximum handle force of 40 lbs. plus short handle opening and angled head combine to provide an ideal tool for difficult overhead and tight underground applications. 5-year limited warranty.



BENEFITS

- Precise crimping everytime is provided with the ratchet mechanism and automatic release only after five (5) handle strokes.
- Easy tool operation is provided with 40 lbs. maximum handle force reducing possible back strain.
- Convenient operator usage for difficult to reach overhead and tight underground trench applications is provided with the angled head, short handle stroke and minimal handle force requirements.
- Easy handling and insertion is provided with spring loaded handles.
- The D₃ groove accommodates the complete line of “W” die inserts.
- 5-year limited warranty

MD6R Variations:

Cat. No.	Permanent Die Grooves
MD6R	BG (5/8”) and D ₃
MD6-6R	D ₃ Snub-Nose
MD6-6R-2	D ₃ Modified for copper color coded dies #8 through 500 kcmil.
MD6-8R	O and D ₃

Accessories:

Cat. No. **PT4925**
The PT4925 is a heavy-duty canvas carrying bag for the storage and protection of the MD6...R tools. Pockets for dies are included.

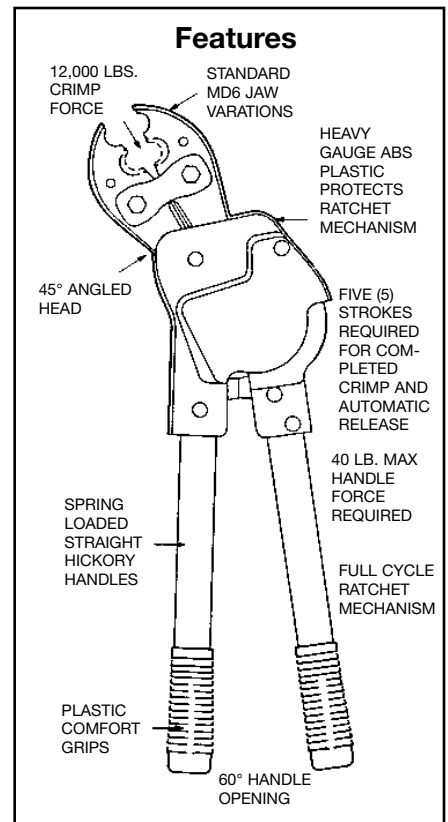
Cat. No. **PT17188**
ABS Cover Kit
The PT17188 is the heavy-duty ABS plastic cover kit including (3) piece ABS cover, label and hardware.

SPECIFICATIONS

- Output force:** 12,000 lbs.
- Handle input force:** 40 lbs.
- Number of strokes:** 5
- Weight:** 10 lbs.
- Length:** 24”

FOR USE ON

- Copper, Aluminum, ACSR, Copperweld, Alumoweld, Steel, 6201, 5005, Compressed and compact conductors.
- Copper Taps: #10 sol.- 2/0 str.
- Aluminum, ACSR Taps: #14 sol.- 4/0 ACSR.
- Stirrups: #6 ACSR- 4/0 ACSR.
- Overhead Full Tension Deadends, Full Tension Splices, Non Tension Splices, and Terminals Conductor Range: #10 str.-4/0 ACSR.
- Code conductor connectors: #6-500 kcmil. Copper.



N-23

Blue highlighted items are industry standard and most frequently ordered.

MD6 HOTSTICK TOOLS

The MD6 Type Hotstick tools incorporate either a pantograph toggle action handle or straight handles. They use standard MD6 Type jaws so that they will do everything the standard MD6 will do only they can be used for energized installations. The fiberglass handles are rated at 100 kV/ft for 5 minutes. 5-year limited warranty.



SPECIFICATIONS

Cat. No.	Handle Length	Weight/Lbs.
MD6HS60	60"	15.5
MD6HS72	72"	16.5
MD6-6HS60	60"	15.5
MD6-6HS72	72"	16.5
MD6-8HS60	60"	15.5
MD6-8HS72	72"	16.5
MD6-AH48	48"	13.75
MD6-8AH48	48"	13.75

FOR USE ON

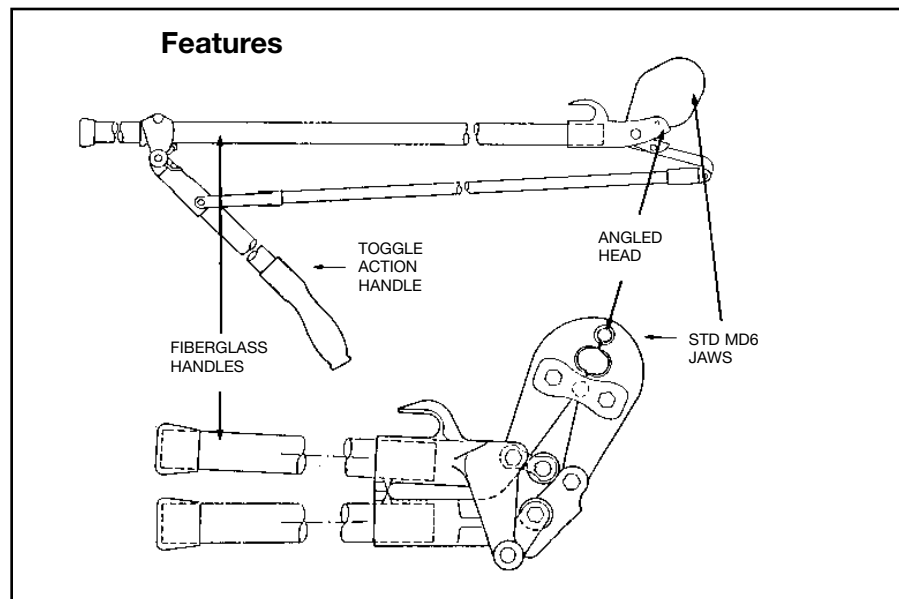
- Copper, Aluminum, ACSR, Copperweld, Alumoweld, Steel, 6201, 5005. Compressed and compact conductors.
- Copper Taps: #10 sol.-2/0 str.
- Aluminum, ACSR Taps: #14 sol.-4/0 ACSR.
- Stirrups: #6 ACSR-4/0 ACSR.
- Overhead Full Tension Deadends, Full Tension Splices, Non Tension Splices, and Terminals Conductor Range: #10 str.- 4/0 ACSR.
- Code conductor connectors: #6 - 4/0 str. Copper and Aluminum.

BENEFITS

- The MD6-HS type Hot-Line Tool incorporates a pantograph, toggle-action design to install connectors with the same handle force as the standard MD6-type tooling.
- All fiberglass handles rated at 100 kV per foot for five minutes.
- Angled head and lightweight makes connector installation easier.
- Supplied with MD6, MD6-6, and MD6-8 jaw variations.
- The MD6-AH type Hot-Line Tool incorporates an angled head to make hard to reach hot-line connections easier.
- Straight 48" fiberglass handles rated at 100 kV per foot for five minutes.
- Supplied in MD6, MD6-6 and MD6-8 jaw variations.
- 5-year limited warranty.

N-24

Features



Blue highlighted items are industry standard and most frequently ordered.

RK147-2

**CONSTRUCTION/
MAINTENANCE
WIRE STRIPPERS**

These two lightweight strippers feature precision ground blades that give a precise and rapid strip for small wire applications. The RK190-2 has precise stripping grooves for #10-#20 AWG solid and a copper wire cutting blade. The RK147-2 is an adjustable stripper cutter with a simple cam screw adjustment for multi-varied wire sizes and insulation thickness up to #12 AWG solid or stranded wire. Both tools are part of BURNDY’s convenience package program and are shipped on merchandising rack cards.



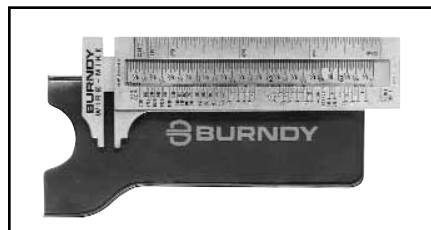
RK147-2

Wire Stripping Range: No minimum, up to #12 AWG
Overall Length: 5.31”
Weight: .18 lbs.

WIREFIKE

RK194-2

The wire mike is a useful instrument designed for measuring ACSR, stranded and solid conductors, I.P.S. tubing, rigid and thin-wall conduit, plus inside and outside dimensions of tubing and pipe sizes. A ruler is also included.



FOR USE ON:

- ACSR: #6 - 336.4 (26/7) str.
- Stranded: #18 str. - 2,000 kcmil
- Solid: #20 sol. - 4/0 sol.
- IPS Tubing (Cu/Al) & Rigid conduit: 1/4” - 2-1/2”
- Tubing sizes: 3-11/8” inside max. 2-15/16” outside max.
- Thinwall conduit: 3/8” - 2-1/2”

BENEFITS:

- Provides quick and easy identification of commonly used conductors (ACSR, stranded and solid AWG).
- Provides quick and easy identification of IPS tubing and rigid conduit.
- Provides quick and easy identification of thinwall conduit.
- Measures I.D. and O.D. of tubing.
- Provides easy conversion of information.
- Strong, durable, long lasting, high quality stainless steel wire mike.
- Convenient size makes it easy to carry.
- Available with your company name and logo. Customer must supply camera ready artwork. Contact BURNDY® for details. Minimum order required.

N-25

Blue highlighted items are industry standard and most frequently ordered.

Y500CT-HS

L'IL CRIMP™

6 Ton Hydraulic Crimp Tool

The BURNDY® Y500CT-HS HYPRESS™ connector installation tool provides 6 U.S. Short tons of force in a compact and easy to use, hand-held hydraulic tool. The Y500CT-HS incorporates a specialized latch style head with a generous working stroke for a wide variety of crimping applications. The specialized head allows interference-free closures on tap connectors up to the BURNDY® YHD-400 size. The head is fitted onto a lightweight tool body with handles that are ergonomically designed to provide slip-free grip and easier crimping. The tool features a patented high speed ram advance mechanism that minimizes crimp cycle time along with an ergonomic trigger drain mechanism that allows the ram to return to the preset position. The tool accommodates all BURNDY® “X”, “W”, and “W-VT” style dies that seat in the permanent “D₃” crimping groove. Installation applications include #6 AWG to 600 kcmil copper lugs and splices, #6 AWG to 350 AWG aluminum lugs and splices, and up to 4/0 aluminum tap connections. The permanent “D₃” groove and 180 degree rotatable head are standard on the Y500CT-HS.

Each Y500CT-HS HYPRESS™ tool uses BURNDY® dies and off-the-shelf connectors that are available worldwide. Your Y500CT-HS HYPRESS™ comes equipped with a durable metal carry case to hold the tool and a multitude of die sets.



Features and Benefits

- Lightweight latch head design.
 - ◇ Provides enhanced clearance for tap connectors.
- 180° head rotation.
 - ◇ Versatile tool head allowing user crimp access into tight spaces.
- Ergonomic handle design.
 - ◇ Easier operation, helping reduce fatigue.
- Audible pressure “pop-off” valve.
 - ◇ Indicates properly completed crimp.
- Permanent “D₃” crimp groove accepts all BURNDY® “W” and “X” dies.
 - ◇ Standard die design with proven performance.
- Durable metal carrying case.
 - ◇ Provides superior protection and stores all accessories.
- High speed ram advance.
 - ◇ Provides faster crimps.
- Handle trigger drain.
 - ◇ Convenient ram retraction.
- 5-year limited warranty.
 - ◇ Customer satisfaction and technical support.

SPECIFICATIONS

- Output Force:** 6 tons (5.4 metric tons)
- Tool Weight:** 7.8 lbs. (3.5 kg)
- Total Strokes:** 7 (w/o connector)
- Height:** 6.0" (152 mm)
- Length:** 17.6" (447 mm)

FOR USE ON

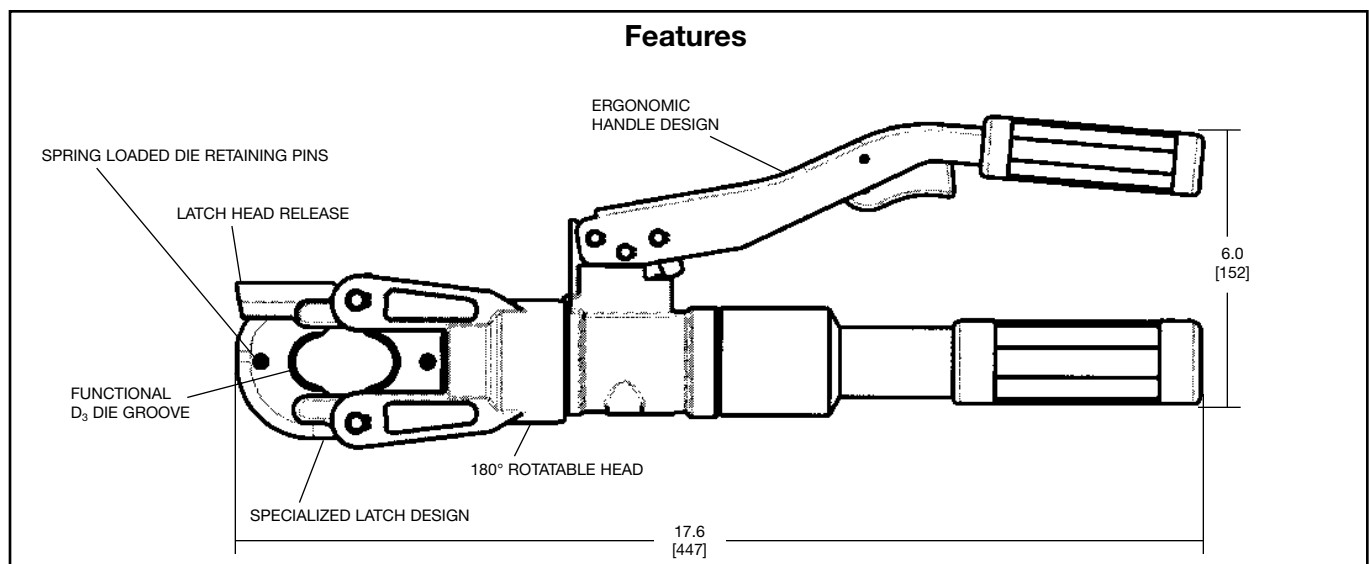
- Copper, Aluminum, ASCR, Steel, Copperweld, Alumoweld, 6201, 5005, Compressed, Compact, Stranded & Solid conductors
- Installs splices, taps, or terminations:
 - #8 - 600 kcmil Copper Str.
 - #8 - 350 kcmil Flex
 - #8 - 350 AWG Aluminum



RANGE TAKING DIES

- WDC4500:** #4-500 Cu Str.
#2-4/0 Cu Flex
UL and CSA for use on YA and YS series.
Also for use on YAV and YSV series.
- WDA8300:** #8-300 Al
#6-400 Cu Str.
#2-4/0 Cu Flex
UL and CSA for use on YA, YS, YA-A, and YS-A series. Also for use on YAV and YSV series.

N-26



Blue highlighted items are industry standard and most frequently ordered.

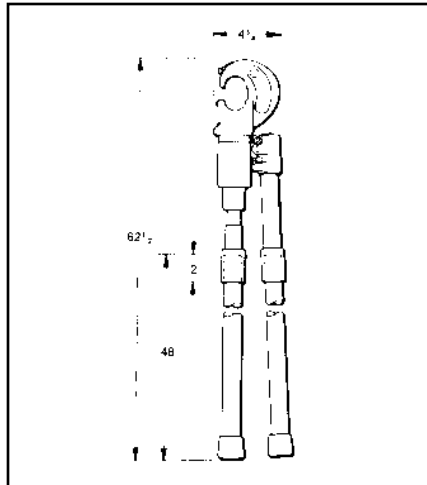
Y35 SERIES ACCESSORIES



PT 29279-2

Force Test Gauge

The PT 29279-2 Force Test Gauge is designed to provide an accurate visual reading of the output force produced by the hand-hydraulic Y35, Y35-2, Y39 and Y750 HYPRESS™ tools. It is not recommended for any remote powered HYPRESS™ heads such as the Y35BH. The PT 29279-2 Force Test Gauge is factory calibrated and inspected to very stringent tolerances providing the customer accuracy and an excellent means for quality assurance control. Supplied with padded storage case.



Cat. No. HH5-RL48

Hot-Line Handle Assembly

The HH5-RL48 is a 48" long fiberglass handle assembly that easily attaches to a standard Y35 HYPRESS™ tool. Rotation of the handles controls the rapid ram advance and release mechanisms. The handles are rated at 100KV per foot for five minutes. The Catalog Number does not include the Y35.

For factory assembled unit order Catalog Number **Y35-16**.



Cat. No. PT29291

Die Case

Steel case designed for storage and protection of "U" dies used with the Y35 and other BURNDY® tools. Holds 15 die sets. Length 9 1/2", width 6", height 1-1/2". Dies sold separately.

Y34A Indentor Adaptor:

To use Y34A indentors in a Y35, Y39, or Y750 tool.

Cat. No. **Y35P3**

Seal Repair Kit:

Cat. No. **Y35/Y39 REP KIT A**

Steel Carrying Case

Cat. No. **PT2972** for Y35

Cat. No. **PT29360** for Y35-2

BENEFITS

N-28

- Easy to read
- Provides means for quality assurance control.
- Blank (test) "U" dies are provided for testing procedure.
- Tool output force is applied to load cell for visual read out of the resulting force on the dial.
- The blank (test) "U" set is included with the Force Test Gauge.
- An easy to read operating and maintenance manual is included.



Cat. No. PT6733

Hot-Line Tool (Heavy-Duty) Carrying Bag

The PT6733 is a heavy-duty, adjustable canvas bag for the storage and protection of hot-line tools. The bag accommodates 48" through 72" variations of the Y35 and MD6 hot-line tools.

Blue highlighted items are industry standard and most frequently ordered.

Y750HSXT AND Y750CHSXT RUBBER COVERED HEAD

750 REVOLVER HYPRESS™

Hydraulic Hand Operated Tool—12 Ton Crimp Force

Conductor Range:
 #14 - 750 kcmil Cu/Al
 #4 - 556.5 kcmil ACSR

The BURNDY® Y750HSXT Series HYPRESS™ is a wide mouth (1.65") hand operated hydraulic 12 ton crimping tool for use on virtually all compression applications. The C-shaped head rotates 355° relative to the handle and is mated to a patented rapid advance pump. The Y750HSXT provides easy tapping, splicing, and terminating of overhead lines, the full line of HYGROUND® compression grounding connectors, NEC cable connections, and N30 - N650 Navy cable connections.

The Y750HSXT accepts all BURNDY® "U" dies for use on conductor ranges of #14 - 750 kcmil AL/CU and #4 - 556.5 kcmil ACSR conductors.

The Y750CHSXT HYPRESS™ has a rubber-covered head and handles for tool impact protection.

Each Y750HSXT uses standard BURNDY® dies and off-the-shelf connectors available world-wide. Supplied with a durable high impact formed carrying case to hold the tool, and die compartment to hold "U" die sets. (Dies sold separately.) All BURNDY® Y750HSXT series tools are provided with a 5-year limited warranty.



BENEFITS

- Covers a wide range of applications with a lightweight, self-contained system and provides easy tool removal from continuous conductors with its C-shaped head.
- Easy tool positioning with its 355° head rotation.
- Patented rapid advance pump for faster crimps.
- Exposed positive die lock buttons for easy die change out and die retention.
- Handle trigger drain for convenient ram retraction.
- Quality assurance is provided with an audible "Pop-Off" pressure relief valve.
- Comfort grip handles help ease operator fatigue with continuous use.
- Long life expectancy from the company that provided the industry with the first self-contained hydraulic tool in 1934.
- Rubber covered head and handles on Y750CHSXT for tool impact protection.
- Supplied with high impact plastic carrying case.
- 5-year limited warranty.

SPECIFICATIONS

Force developed: 12 tons
Weight: 14.5 lbs. (6.6 kg)
Length: 23.96" (608 mm)
Height: 2.86" (78 mm)
Width: 8.71" (222 mm)
Jaw opening: 1.65" (42 mm)

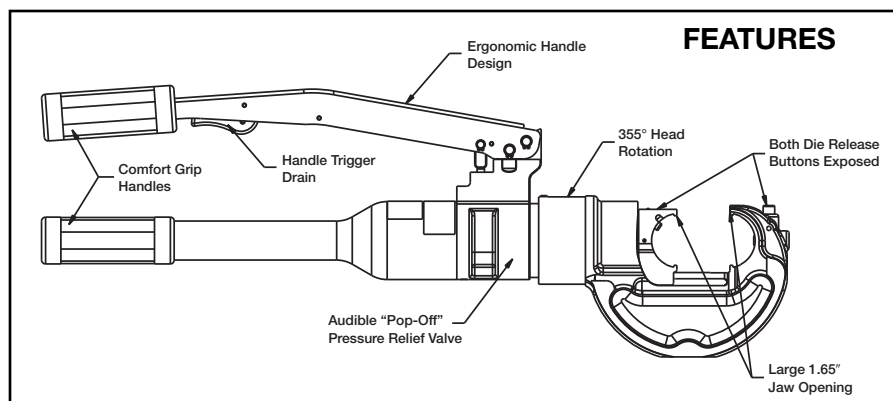
FOR USE ON

- Tension Sleeves
 - Copper #8 sol. - 500 kcmil
 - Aluminum #8 sol. - 556.5 kcmil
 - ACSR #4 - 556.5 kcmil
- Taps
 - Copper #14 sol. - 500 kcmil
 - Aluminum #8 - 500 kcmil
- Aerial Cable
 - Copper #6 - 500 kcmil
- Terminals & Splices
 - Aluminum #8 - 750 kcmil
 - Copper #8 - 750 kcmil
 - ACSR #4 - 556 kcmil
- HYGROUND® (Compression Grounding)
 - Copper #8 - 500 kcmil (cable/ground rod)
 - Ground Rods 1/2" - 1" Diameter

ACCESSORIES:

Cat. No.	Description
Y750HSCASE	Plastic Carrying Case for Y750HSXT or Y750CHSXT.
PT29279-2	Force test gauge for accurate visual reading of output force.
PT29291	Die Case Steel case for storage and protection of "U" dies.
WIREMIKE	Provides quick and easy identification of commonly used conductors.

N-30



Blue highlighted items are industry standard and most frequently ordered.

**Y644HSXT
DIELESS HYPRESS™**

**THE “1” CRIMP RANGE
TAKING TOOL**

Hydraulic Hand Operated Tool—
11 Ton Crimp Force

#6 - 1000 kcmil Copper
HYLUG™ Terminals and
HYLINK™ Splices

#6 - 750 kcmil Aluminum
HYLUG™ Terminals and
HYLINK™ Splices

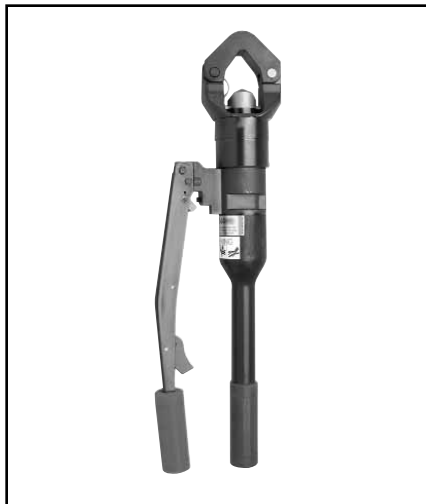
The Y644HSXT dieless HYPRESS™ is a hand operated 11 ton hydraulic crimping tool. Only 1 crimp is required for each wire termination for both long and standard length barrels on HYLUG™ terminals and HYLINK™ splices.

The Y644HSXT has a latch style head which provides easy tool removal from continuous conductor runs. The head rotates 355° relative to the handles and is mated to a patented rapid advance pump. The Y644HSXT weighs only 15 pounds and delivers 11 tons of crimping force. The result is easy terminating and splicing using BURNDY® HYLUG™ and HYLINK™ terminals and splices.

Y644HSXT Dieless HYPRESS™ Range Taking Capabilities. The following size HYDENT™ lugs and two way splices, when crimped with the Y644HSXT Dieless HYPRESS™ Tool, produce the following UL Listed range taking capabilities.

Aluminum Connectors		Copper Connectors	
Standard Wire Size	Expanded Wire Range	Standard Wire Size	Expanded Wire Range
#6 AWG	#6 AWG	#6 AWG	#6 AWG
#5 AWG	#5-#6 AWG	#5 AWG	#5-#6 AWG
#4 AWG	#4-#6 AWG	#4 AWG	#4-#6 AWG
#3 AWG	#3-#6 AWG	#3 AWG	#3-#6 AWG
#2 AWG	#2-#6 AWG	#2 AWG	#2-#6 AWG
#1 AWG	#1-#2 AWG	#1 AWG	#1-#6 AWG
1/0 AWG	1/0-#1 AWG	1/0 AWG	1/0-#6 AWG
2/0 AWG	2/0-#1 AWG	2/0 AWG	2/0-#4 AWG
3/0 AWG	3/0-#1 AWG	3/0 AWG	3/0-#2 AWG
4/0 AWG	4/0-#1 AWG	4/0 AWG	4/0-#1 AWG
250 kcmil	250-1/0 AWG	250 kcmil	250-1/0
300 kcmil	300-2/0 AWG	300 kcmil	300-2/0
350 kcmil	350-3/0 AWG	350 kcmil	350-3/0
400 kcmil	400-4/0 AWG	400 kcmil	400-4/0
500 kcmil	500-4/0 AWG	500 kcmil	500-4/0
600 kcmil	600-250 kcmil	600 kcmil	600-250
750 kcmil	750-500 kcmil	750 kcmil	750-500
		800 kcmil	800-500
		1000 kcmil	1000-750

Blue highlighted items are industry standard and most frequently ordered.



BENEFITS

- Dieless system, eliminates the need to purchase and maintain dies.
- Patented rapid advance pump for faster crimps.
- Pressure relief “Pop-Off” valve provides audible indication that crimp is complete.
- Handle trigger drain for convenient ram retraction.
- 355° head rotation for versatile tool head positioning in tight areas.
- Easy inspection and positive identification is provided with the BURNDY® “⊕”.
- Comfort grip handles help ease fatigue with continuous use.
- Supplied with high impact plastic carrying case.
- 5-year limited warranty.

SPECIFICATIONS

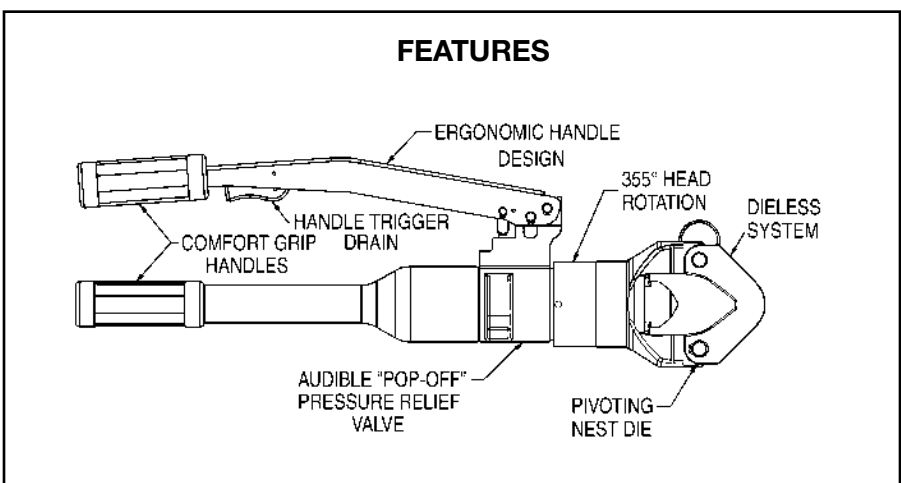
- Output Force:** 11 tons (22,000 lbs.)
- Weight:** 15 lbs. (5.6 kg)
- Length:** 23.20” (589 mm)
- Height:** 3.00” (76 mm)
- Width:** 7.04” (179 mm)

FOR USE ON

AWG/kcmil Size Range	Connector Type
Copper #6 - 1000 kcmil	Terminals YA-L, YA-2LN, YA, YA-FXB YA-2N, YA-L-2TC, YA-L-FX YAB-4N, YA-L-TC, YA-2L, YA-4N, YEV-P-FX, YE-P, YE-P-FX Splices YS-L, YS, YS-T
Aluminum #6 - 750 kcmil	Terminals YA-A, YA-A-TN Splices YS-A
Aluminum #6 - 750 kcmil	HYPLUG™ AYP, AYPO

ACCESSORIES

Cat. No.	Description
WIREMIKE	Provides quick and easy identification of commonly used conductors.
Y644HSCASE	Plastic carrying case.



N-31

4-POINT® Y81KFT

DIELESS HYPRESS™

Hydraulic Hand Operated Crimping Tool

#8 – 1000 kcmil Copper HYLUG™ Terminals and HYLINK™ Splices

#8 – 750 kcmil Aluminum HYLUG™ Terminals and HYLINK™ Splices

The Y81KFT 4-POINT® dieless HYPRESS™ is a hand operated 6 ton hydraulic crimping tool for use on a wide variety of terminal and splice compression applications. The Y81KFT incorporates a dieless latch style head that provides easy tool removal from continuous conductor runs and eliminates the need to purchase and maintain dies. The head rotates 360° relative to the handles and is mated to a patented rapid advance pump. The Y81KFT weighs only 12 pounds and delivers 6 tons of crimping force. The result is easy termination and splicing using BURNDY® HYLUG™ and HYLINK™ terminals and splices.

The Y81KFT is supplied with a molded high impact plastic case and comes complete with a 5-year limited warranty.

Y81KFT dieless HYPRESS™ Range Taking Capabilities: The Y81KFT provides range taking capabilities that is UL Listed and CSA Certified for Copper (Code, Compact and Flex) and Aluminum (Code and Compact) conductors when used in conjunction with BURNDY® HYLUG™ terminals and HYLINK™ splices. *See chart for connector, conductor and range taking combinations on pages C-7 and C-8.*



SPECIFICATIONS

- Output Force:** 6 tons (12,000 lbs) (5450 kg)
- Weight:** 12 lbs. (5.45 kg)
- Length:** 25.6 in. (650 mm)
- Height:** 7.7 in. (196 mm)
- Width:** 2.5 in. (64 mm)

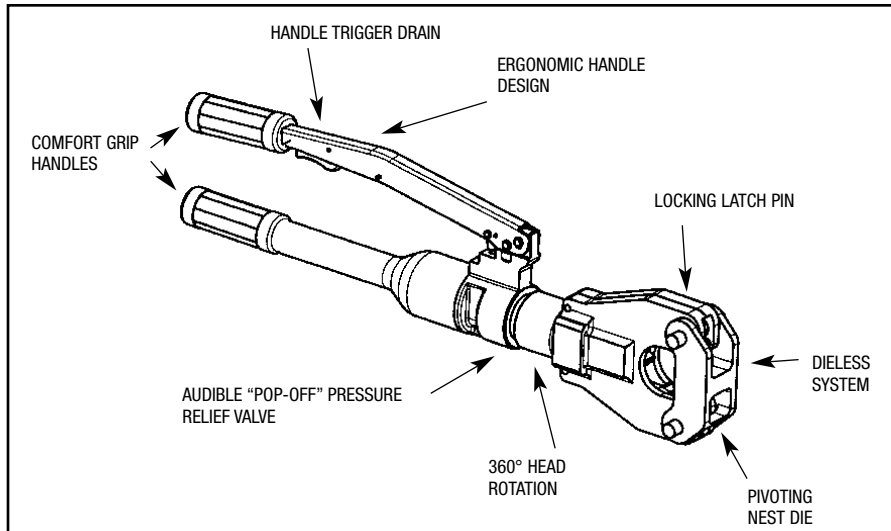
FOR USE ON

- Copper, Aluminum, Compressed, Compact, Stranded, Solid and Flex Conductors.
- Installs Splices, Taps and Terminations:
 - #8 - 1000 kcmil Copper (YA, YA-L, YS, YS-L, YS-T, Y-R)
 - #8 - 777.7 (750 Nominal Flex Wire Size) kcmil Flex (YA-FX, YAV, YA-L-FX, YS, YSV-FXB)
 - #8 - 750 kcmil Aluminum (YA-A, YS-A)
 - #8 - 750 kcmil Aluminium Pin Adapters (AYP, AYPO)

Features and Benefits

- Dieless installation system.
 - ◇ Eliminates the need to purchase and maintain dies.
- UL Listed and CSA Certified with Range Taking Capabilities
 - ◇ Provides the installer with a UL Listed and CSA Certified crimps with Range Taking Capabilities when used in conjunction with BURNDY® HYLUG™ Terminals and HYLINK™ Splices
- Flip top head design.
 - ◇ For easy loading and removal of installed terminals and splices, saving time.
- Audible pressure “pop-off” valve and die embossment providing 360° inspectability.
 - ◇ Assures proper crimps with both audible and visual indicators for the installer.
- Handle Trigger release.
 - ◇ Convenient ram release located in the handle.
- Advanced high speed pump design.
 - ◇ Provides fast crimps, longer life, efficiency, and reliability.
- 360 Degree head rotation.
 - ◇ Versatile tool head positioning lets the user get into tight areas easier.
- Durable high impact formed carrying case.
 - ◇ Provides tool protection and stores all accessories.
- 5-year limited warranty.
 - ◇ Customer satisfaction and support.

N-32



Blue highlighted items are industry standard and most frequently ordered.

4-POINT® Y4PC834

DIELESS HYPRESS™

Hydraulic Hand Operated Crimping Tool

The 4-POINT® C-shaped head dieless HYPRESS™ is a hand operated 6 ton hydraulic crimping tool for use on a wide variety of tap, terminate, and splice compression applications. The dieless capability of this tool eliminates the need to purchase or maintain additional dies. The Y4PC834 incorporates a C-shaped head design making it ideal for crimping in tight areas and is easily removed from continuous conductor runs. The head rotates 360° and is mated to a patented rapid advance pump. The Y4PC834 weighs only 12 pounds and delivers 6 tons of crimping force. The result allows for easy tap, termination and splicing of compression connectors.

The Y4PC834 is supplied with a molded high impact carry case and comes with a 5-year limited warranty.

The Y4PC834 provides range taking capabilities that are UL Listed and CSA Certified for Copper (Code, Compact and Flex) and Aluminum (Code and Compact) conductors when used in conjunction with BURNDY® HYLUG™ terminals and HYLINK™ splices as listed on pages C-7 and C-8 in the Master Catalog.



Features and Benefits

- Dieless installation system
 - ◊ Eliminates the need to purchase and maintain dies.
- UL Listed and CSA Certified with range taking capabilities
 - ◊ Provides the installer with UL Listed and CSA Certified crimps when used in conjunction with BURNDY® HYLUG™ and HYLINK™ compression connectors.
- C-shaped head design
 - ◊ For easily removing tool from continuous run conductors – simply slide the opening of the head off the conductor. Also ideal for use in tight or constraint spaces.
- Audible pressure “pop-off” valve and die embossment providing 360° inspectability.
 - ◊ Assures proper crimps with both audible and visual indicators for the installer.

SPECIFICATIONS

- Output Force:** 6 Tons (5.4 Metric Tons)
- Weight:** 11.85 lbs (5.38 kg)
- Length:** 25.6 in (651 mm)
- Height:** 7.7 in (196 mm)
- Width:** 2.5 in (64mm)

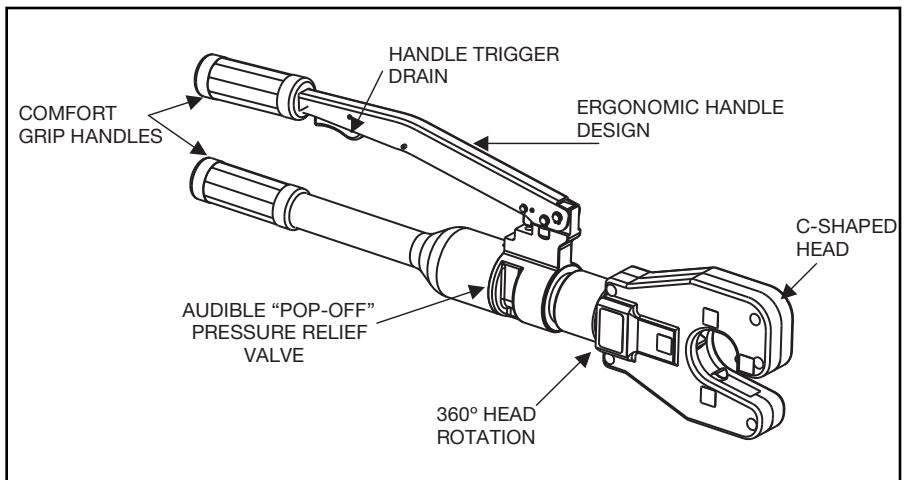
FOR USE ON

Copper, Aluminum, Compressed, Compact, Stranded, Solid and Flex Conductors

Installs Splices, Taps and Terminations

- #8 – 1000 kcmil Copper (YA, YA-L)
- #8 – 500 kcmil Copper (YS, YS-T, YS-L, Y-R)
- #8 – 777 (750 Nominal Flex Wire Size) kcmil Flex ((YA-FX, YAV, YA-L-FX)
- #8 – 535 (500 kcmil nominal flex wire size) kcmil flex (YS, YS-LB, YSV-FXB)
- #8 – 750 kcmil Aluminum (YA-A)
- #8 – 350 kcmil Aluminum (YS-A)
- #8 – 750 kcmil Aluminum Pin Adaptors (AYP, AYP0)

- Handle Trigger release
 - ◊ Convenient ram release located in the handle.
- Advanced high speed pump design
 - ◊ Provides fast crimps, longer life, efficiency, and reliability.
- 360° head rotation
 - ◊ Versatile tool head positioning lets the user get into tight areas easier.
- Durable high impact formed carrying case
 - ◊ Provides tool protection and stores all accessories.
- 5-year limited warranty
 - ◊ Customer satisfaction and support.



Blue highlighted items are industry standard and most frequently ordered.

PATRIOT® HIGH PERFORMANCE PAT750XT-18V

Battery Actuated Tool

Hydraulic Self-Contained 12 Ton Crimping Tool

The BURNDY® PATRIOT® High Performance PAT750XT-18V tool is 25% faster than previous models. In addition to faster crimp cycles, the High Performance PAT750XT-18V has newly designed electronics that are field proven for ultimate reliability and proven to handle the harshest work environments.

The High Performance PAT750XT-18V incorporates the latest engineering technology with a refined hydraulic system for ultra performance, speed and reliability. All PATRIOT® tools feature the BURNDY INFINITY DRIVE® transmission which has a lifetime warranty.

The High Performance PAT750XT-18V features BURNDY's Y750 tool head, capable of using all "U" style dies, and incorporates a bearing and alignment guide for use on HYGROUND® and other asymmetrical connectors. Features reliable head rotation design for operation in virtually any position. All PATRIOT® battery actuated hydraulic tools provide a consistent, reliable connection every time.

Each PATRIOT® tool uses standard BURNDY® dies and off-the-shelf connectors available world-wide. Supplied with a durable high impact formed carrying case to hold the tool, battery charger, two batteries, tool retention lanyard, and die compartment to hold "U" die sets. (Dies sold separately.) All BURNDY® PATRIOT® 18V series tools are provided with a 5-year limited warranty.



Features and Benefits

- Refined hydraulic system for ultra performance, speed and reliability.
- Field proven electronics for ultimate reliability in the harshest environments.
- True, one-handed operation for advance, retract, and hold.
- 12 tons of output force for use on virtually all compression applications.
- State of the art crimping head design, 360° head rotation lets user get into tight areas easier.
- Allows use of standard BURNDY® dies already in use.
- Ergonomically balanced tool design eases operation and helps lessen fatigue.
- Durable high impact formed carrying case provides superior protection and stores all accessories.
- PAT750CXT-18V — with rubber covered head is available.
- 18 volt Ni-MH battery eliminates voltage depression (memory issues).
- 5-year limited warranty on tool.
- Lifetime warranty on INFINITY DRIVE®.
- 1-year warranty on batteries and charger.

SPECIFICATIONS

- Output force:** 12 tons
(10.9 metric tons)
- Tool Weight:** 16.5 lbs (7.5 kg)
With Battery
- Length:** 15.75" (40 cm)
- Width:** 3.5" (8.89 cm)
- Height:** 13.5" (34.29 cm)
- Operating Voltage:** 18 V-DC
- Recharge Time:** < 45 minutes

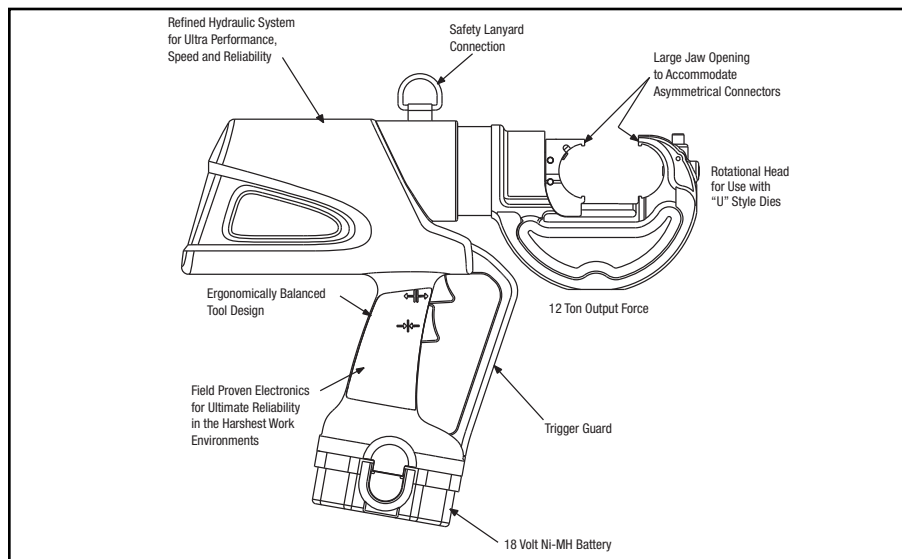
FOR USE ON

- Tension Sleeves
 - Copper #8 sol. - 500 kcmil
 - Aluminum #8 sol. - 587.2 kcmil
 - ACSR #4 - 556.5 kcmil
- Taps
 - Copper #14 sol. - 500 kcmil
 - Aluminum #8 - 500 kcmil
- Aerial Cable
 - Copper #6 - 500 kcmil
- Terminals & Splices
 - Aluminum #8 - 750 kcmil
 - Copper #8 - 750 kcmil
 - ACSR #4 - 556 kcmil
- HYGROUND®
 - Copper #8 - 500 kcmil
(cable/ground rod)
 - Ground Rods 1/2" - 1" Diameter

ACCESSORIES

- Battery:** Cat# **BAT18V**
Hi-capacity (2.6 AH)
- Chargers:**
 - 120V-AC Cat# **PATCHGR18V**
 - 12/24V-DC Cat# **BCT/PATDCCHGR**
 - 240/250V-AC Cat# **PATCHGR250V**
- Lanyard:** Cat# **PT208620**

N-34



Blue highlighted items are industry standard and most frequently ordered.

**PATRIOT®
PAT750K-18V**

BATTERY ACTUATED TOOL

Hydraulic Self-Contained—
12 Ton

The BURNDY® PATRIOT® tools can be operated with only one hand, making them the most ergonomic, one-handed battery powered crimping and cutting tools available in the world today.

The PAT750K-18V incorporates the latest engineering technology with the patented high speed hydraulic pump. Our battery actuated hydraulic tool provides a consistent, reliable connection every time. The PAT750K-18V is capable of using KEARNEY™ WH1 and WH2 and BURNDY “U” style dies with the KUADP adapter. The PAT750K-18V head rotates 355° for operation in virtually any position.

Each PATRIOT® tool uses standard BURNDY® dies and off-the-shelf connectors available world-wide. The PAT750K-18V is supplied with a durable high impact formed carrying case to hold the tool, battery charger, two batteries, tool retention lanyard, and die compartment to hold “U” die sets. (Dies sold separately.) All BURNDY® PATRIOT® 18V series tools are provided with a 5-year limited warranty.



Features and Benefits

- True, one-handed operation for advance, retract, and hold.
- 12 ton output force.
- State of the art crimping head design with 355° rotation.
- Positive lock die buttons to secure dies or die adapter.
- Allows use of standard BURNDY® “U” dies with KUADP adapter, and KEARNEY™ WH1 and WH2 dies.
- Smoother, quieter, more efficient tool operation.
- PAT750CK-18V with rubber covered head is available.
- Ergonomically balanced tool design to help lessen operator fatigue.
- Durable high impact formed carrying case.
- 18 volt Ni-MH battery eliminates voltage depression (memory issues).
- 5-year limited warranty on tool.
- Lifetime warranty on INFINITY DRIVE®.
- 1-year warranty on battery and charger.

SPECIFICATIONS

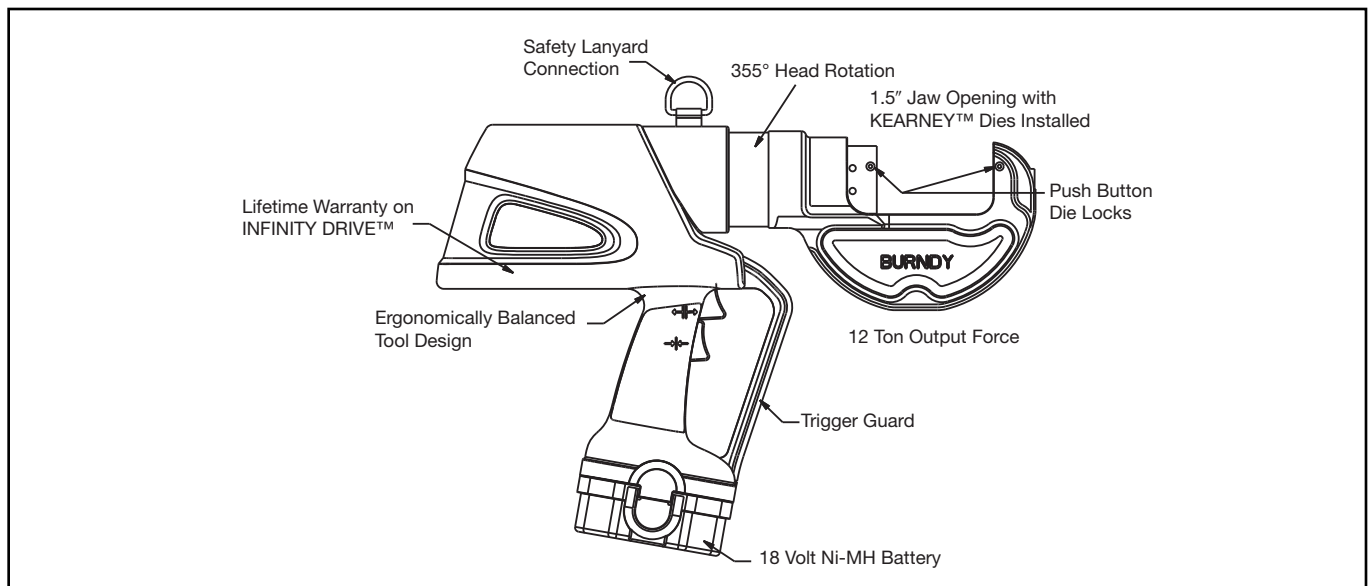
- Output Force:** 12 tons (10.9 metric tons)
- Tool Weight:** 18.4 lbs. (8.3 kg) with battery
- Length:** 17.5" (44.45 cm)
- Width:** 3.5" (8.89 cm)
- Height:** 13.5" (34.29 cm)
- Operating Voltage:** 18 V-DC
- Recharge Time:** < 45 minutes

FOR USE ON

- Tension Sleeves up to 477 ACSR
- Taps through 500 kcmil
- Terminals up to 1033 kcmil

ACCESSORIES

- “U” Die Adapter: **KUADP**
- Battery: **BAT18V**
Hi-capacity (2.6 AH)
- Charger:
120V-AC **PATCHGR18V**
12/24V-DC **BCT/PATDCCHGR**
240/250V-AC **PATCHGR250V**
- Lanyard: **PT208620**



N-35

Blue highlighted items are industry standard and most frequently ordered.

PATRIOT® PAT644XT-18V

BATTERY ACTUATED TOOL

Hydraulic Self-Contained—
11 Ton

The BURNDY® PATRIOT® series of battery actuated tools can be operated with only one hand, which allows the other hand to be free to position the connector and conductor prior to crimping.

The BURNDY® PATRIOT® PAT644XT-18V incorporates the latest engineering technology with patent pending pump, transmission and piston component designs. Our self-contained hydraulic tool provides a consistent, reliable connection every time. The PAT644XT-18V features BURNDY's Y644 dieless latch head tool which eliminates the need to purchase and maintain dies. Features reliable head rotation design for operation in virtually any position.

Each PATRIOT® uses standard BURNDY® off-the-shelf connectors available worldwide. Supplied with a durable high impact formed carrying case to hold the tool, battery charger, two batteries, and tool retention lanyard. All BURNDY® PATRIOT® 18V series tools are provided with a 5-year limited warranty.

PAT644XT-18V Range Taking Capabilities:
Please refer to the individual connector pages for detailed information on the PAT644XT-18V range taking capabilities.



FEATURES

- Dieless system.
- True, one-handed operation for advance, retract, and hold.
- 11-ton output force.
- State of the art crimping head design, 360° head rotation.
- Audible “pop-off” indicates properly completed crimps.
- Ergonomically balanced tool design.
- Durable High Impact Formed carrying case.
- Ni-MH battery eliminates voltage depression (memory issues).
- 5-year limited warranty on tool. 1-year warranty on batteries and charger.

SPECIFICATIONS

- Crimp Force:** 11 Tons
(10.9 metric tons)
- Tool Weight:** 17 lbs (7.7 kg)
- Length:** 14.9" (37.8 cm)
- Width:** 3.7" (9.4 cm)
- Height:** 14" (35.6 cm)
- Operating Voltage:** 18 V-DC
- Recharge Time:** < 45 mins.

BENEFITS

- Eliminates the need to purchase and maintain dies.
- Easier tool operation.
- Versatile tool head positioning lets user get into tight areas easier.
- Less “down-time” due to high capacity, high voltage 18 volt battery.
- Assures proper crimps with both audible and visual indicators, leaving no doubt for the tool user.
- Ergonomically balanced tool eases operation and helps lessen fatigue.
- Smoother, quieter, more efficient tool operation.
- Durable high impact formed case provides superior protection and stores all accessories.

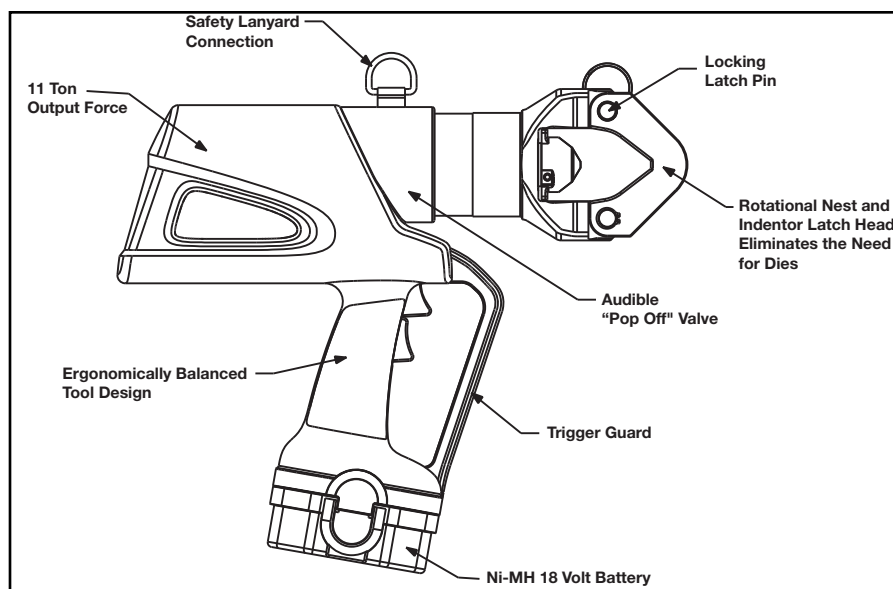
FOR USE ON

AWG/kcmil Wire Size Range	Connector Types
Copper #6 - 1000 kcmil	Terminals YA-L, YA-2LN, YA, YA-2N, YA-L-2TC, YAB-4N, YA-L-TC, YA-2L, YA-4N Splices YS-L, YS, YS-T
Aluminum #6 - 750 kcmil	Terminals YA-A, YA-A-TN Splices YS-A
Aluminum #6 - 750 kcmil	HYPLUG™ AYP, AYP0

ACCESSORIES

- **Battery:** Cat# **BAT18V**
Hi-capacity Ni-MH
(2600 mA-hr)
- **Charger:** Cat# **PATCHGR18V**
120V-AC
12/24V-DC
240/250V-AC
Cat# **BCT/PATDCCHGR**
Cat# **PATCHGR250V**
- **Lanyard:** Cat# **PT208620**

N-36



Blue highlighted items are industry standard and most frequently ordered.

PATRIOT® PAT46-18V

BATTERY ACTUATED TOOL

**Hydraulic Self-Contained
15-Ton Crimping Tool**

The BURNDY® PATRIOT® PAT46-18V incorporates the latest engineering technology with a patented high speed hydraulic pump. Our battery actuated hydraulic tool provides a consistent, reliable connection every time. The PAT46-18V features BURNDY's Y46 tool head, capable of using all "P" and "U" style dies.

Each PATRIOT® uses standard BURNDY® dies and off-the-shelf connectors available worldwide. Supplied with a durable high impact formed carrying case to hold the tool, battery charger, two batteries, tool retention lanyard, and die compartments to hold both "P" and "U" die sets (dies sold separately). All BURNDY® PATRIOT® PAT46 tools are provided with a 5-year limited warranty.

PAT46C-18V — with rubber covered head is available.



Features and Benefits

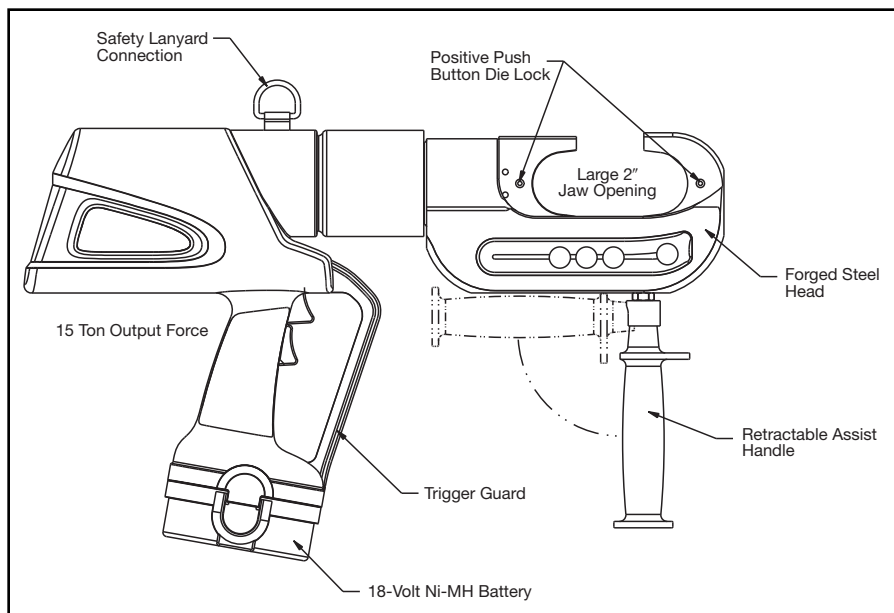
- BURNDY's largest battery actuated crimp tool, providing 15-tons of output force with a 2" jaw opening.
 - ◊ Allows users to install the largest variety of splices, taps and terminals with one tool. Also provides easy placement and removal from continuous conductor lengths.
- State of the art C-Head crimp design with 355° head rotation.
 - ◊ Versatile tool head positioning lets user get into tight areas easier.
- Retractable assist handle under head of tool for better handling of tool.
 - ◊ Allows for better balance of tool and retractable for getting head into tight areas.
- Durable high impact formed carrying case.
 - ◊ Provides superior protection and stores all accessories.
- 18-volt Ni-MH battery eliminates voltage depression (memory issues).
 - ◊ Less "down-time" due to high capacity, high voltage 18-volt battery
- 5-year limited warranty on tool. 1-year warranty on battery and charger.

SPECIFICATIONS

- Output Force:** 15 tons (13.6 metric tons)
- Weight:** 26.2 lbs. (11.88 kg)
- Length:** 20.77" (52.76 cm)
- Height:** 14.43" (36.65 cm)
- Width:** 3.70" (9.40 cm)
- Operating Voltage:** 18V-DC
- Battery Recharge Time:** <45 minutes

FOR USE ON

Connector Type	Conductor Range
Copper, #8 AWG str. - 1500 kcmil Code Cable, Navy Cable, Flexible and Extra Flexible 1/2" - 1" Ground Rods	Terminals, grounding: to 500 kcmil YGA, YGHA, YGF Terminals, uninsulated: #8 to 1500 kcmil: YA, YA-2N, YA-L, YA-LB, YA-TC, YA-2LN, YAB-4N, YAV-L Box, YAV-L, YAV-RS Box, YAV-RS, YA-TC-FX Terminals, insulated: #8 to 2/0 YAEV-L Box, YAEV-L, YAEV-H, YAEV-RS, YAEV-RH Splices: #8 to 1500 kcmil YS, YS-T, YS-L, YS-LB, YST, YSP-T, YGS, YGHS Taps: YH, YHC #14 to 1000 kcmil, YC-C to 4/0 AWG Taps, grounding: to 500 kcmil YGHC-C, YGHP-C, YGHR-C
Aluminum #8 AWG - 1250 kcmil Code Cables	Terminals: YA-A, AYP, AYPO Splices: YS-A, YS-AT, YRB Taps: YFD, YFN, YFO, YFR
ACSR	See BURNDY® Overhead Transmission and Distribution Catalog Module



ACCESSORIES

- **Cutter Die:** Cat# **P15K**
Die max. 1.2" dia.
- **"U" Die Adapter:** Cat# **PUADP-1**
- **Battery:** Cat# **BAT18V**
High Capacity Ni-MH (2.6 AH)
- **Chargers:**
 - 120V-AC Cat# **PATCHGR18V**
 - 12/24V-DC Cat# **BCT/PATDCCHGR**
 - 240/250V-AC Cat# **PATCHGR250V**

Blue highlighted items are industry standard and most frequently ordered.

4-POINT® PATRIOT® PAT81KFT-18V

BATTERY ACTUATED TOOL

Hydraulic Self-Contained Crimping Tool

#8-1000 kcmil Copper HYLUG™ Terminals and HYLINK™ Splices

#8-750 kcmil Aluminum HYLUG™ Terminals and HYLINK™ Splices

The BURNDY® PAT81KFT-18V is a battery powered crimping tool that provides a powerful 6 tons of crimping force. It is compact, fast, easy to use and incorporates the latest in battery tool technology. The ergonomic design allows for one hand operation so that the other is free to position the connectors and conductor prior to crimping. The PAT81KFT-18V features a dieless latch head design which eliminates the need to purchase and maintain dies. Featuring 360° head rotation, the PAT81KFT-18V is designed for easy operation in virtually any position.

The PAT81KFT-18V is supplied with a high impact carrying case, battery charger, lanyard and two batteries. The PAT81KFT-18V comes complete with a 5-year limited warranty on the tool and 1 year limited warranty on the batteries.

PAT81KFT-18V Dieless HYPRESS™ Range Taking Capabilities: The PAT81KFT-18V provides range taking capabilities that is UL and CSA listed for Copper (Code, Compact and Flex) and Aluminum (Code and Compact) conductors when used in conjunction with BURNDY® HYLUG™ terminals and HYLINK™ splices. See chart for connector, conductor and range taking combinations.



Features and Benefits

- Dieless installation system.
 - ◊ Eliminates the need to purchase and maintain dies.
- UL Listed and CSA Certified with Range Taking Capabilities
 - ◊ Provides the installer with UL Listed and CSA Certified crimps with Range Taking Capabilities when used in conjunction with BURNDY® HYLUG™ Terminals and HYLINK™ Splices
- Audible pressure “pop-off” valve and die embossment providing 360° inspectability.
 - ◊ Assures proper crimps with both audible and visual indicators for the installer.
- Battery powered crimp technology.
 - ◊ Easy Tool Operation and portability.
- Advanced high speed pump design.
 - ◊ Provides faster crimps, longer life, efficiency, and reliability.
- Ergonomic design allows one hand operation for ram advance and ram retraction.
 - ◊ User always has one hand free to manipulate connector and conductor.
- 360 Degree head rotation.
 - ◊ Versatile tool head positioning lets the user get into tight areas easier.

SPECIFICATIONS

Output Force:	6 tons (5.4 Metric Tons)
Weight:	14 lbs. (6.35 kg)
Length:	17.6 (447 mm)
Height:	13.9 in (354 mm)
Width:	3.7 in (94 mm)
Operating Voltage:	18V-DC
Battery Recharge Time:	<45 Mins

FOR USE ON

- Copper, Aluminum, Compressed, Compact, Stranded, Solid and Flex Conductors.
- Installs Splices, Taps and Terminations:
 - #8 - 1000 kcmil Copper (YA, YA-L, YS, YS-L, YS-T, Y-R)
 - #8 - 777.7 (750 Nominal Flex Wire Size) kcmil Flex (YA-FX, YAV, YA-L-FX, YS, YSV-FXB)
 - #8 - 750 kcmil Aluminum (YA-A, YS-A)
 - #8 - 750 kcmil Aluminium Pin Adapters (AYP, AYPO)

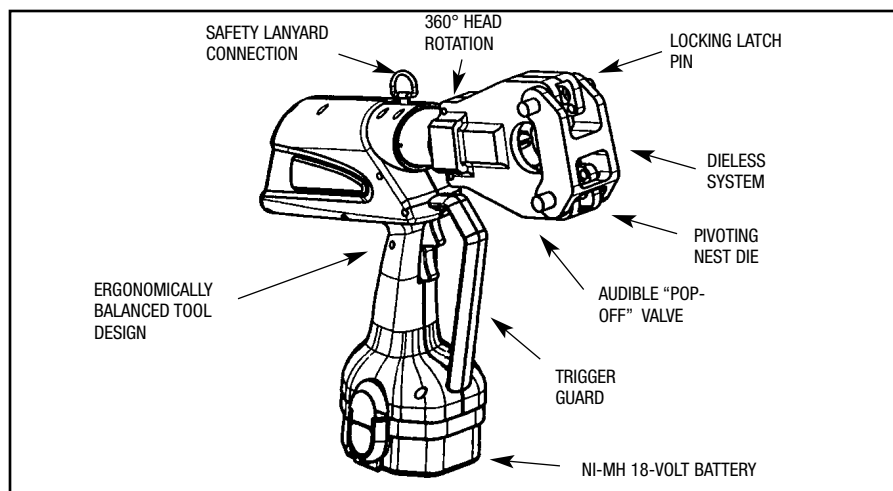
ACCESSORIES

- **Battery:** Cat# **BAT18V**
Hi Capacity Ni-MH (2.6 AH)
- **Charger:** 120V-AC Cat# **PATCHGR18V**
12/240V-DC Cat# **BCT/PATDCCHGR**
- **Lanyard** Cat# **PT208620**

Features and Benefits (Continued)

- Ram holds position when trigger is released.
 - ◊ Provides the ability to hold the connector between the indentors and check for alignment prior to crimping action.
- Mechanical ram release.
 - ◊ Reliable ram release (no battery consumption).
- Uses 18 volt Ni-MH batteries.
 - ◊ Eliminates voltage depression or “memory”.
- Audible pressure “pop-off” value.
 - ◊ Indicates properly completed crimps.
- Durable high impact formed carrying case.
 - ◊ Provides tool protection and stores all accessories.
- 5-year limited warranty on tool, 1-year on batteries and charger.
 - ◊ Customer satisfaction and support.

N-38



Blue highlighted items are industry standard and most frequently ordered.

**4-POINT® PATRIOT®
PAT4PC834-18V**

BATTERY ACTUATED TOOL

Hydraulic Self-Contained—6 Ton

The BURNDY® PATRIOT® 4-POINT® C-shaped head dieless HYPRESS™ is a battery actuated 6 ton hydraulic crimping tool for use on a wide variety of tap, terminate, and splice compression applications. The dieless capability of this tool eliminates the need to purchase or maintain additional dies. It is compact, fast, easy to use and incorporates the latest in battery tool technology. The ergonomic design allows for one hand operation so that the other is free to position the connector and conductor prior to crimping. The PAT4PC834-18V incorporates a C-shaped head design making it ideal for crimping in tight areas and can be easily removed from continuous conductor runs. The head rotates 360° and is mated to a patented rapid advance pump. The PAT4PC834-18V weighs only 13.8 pounds and delivers 6 tons of crimping force. The result allows for easy tap, termination and splicing of compression connectors.

The PAT4PC834-18V is supplied with a molded high impact carry case, battery charger, lanyard, and two batteries. The PAT4PC834-18V comes with a 5-year limited warranty.

The PAT4PC834-18V provides range taking capabilities that are UL and CSA Listed for Copper (Code, Compact and Flex) and Aluminum (Code and Compact) conductors when used in conjunction with BURNDY® HYLUG™ terminals and HYLINK™ splices as listed on page C-7 in the Master Catalog.



Features and Benefits

- Dieless installation system
 - ◇ Eliminates the need to purchase and maintain dies.
- UL Listed and CSA Certified with range taking capabilities
 - ◇ Provides the installer with a UL Listed and CSA Certified crimp when used in conjunction with BURNDY® HYLUG™ and HYLINK™ compression connectors.
- C-shaped head Design
 - ◇ For easily removing tool from continuous run conductors – simply slide the opening of the head off the conductor. Also ideal for use in tight or constrained spaces.
- Audible pressure “pop-off” valve and die embossment providing 360° inspectability.
 - ◇ Assures proper cimps with both audible and visual indicators for the installer.
- Handle Trigger release
 - ◇ Convenient ram release located in the handle.

SPECIFICATIONS

- Output Force:** 6 Ton (5.4 Metric Tons)
- Weight:** 13.85 lbs (6.28 kg)
- Length:** 17.6 in (448 mm)
- Height:** 13.9 in (354 mm)
- Width:** 3.7 in (94 mm)

FOR USE ON

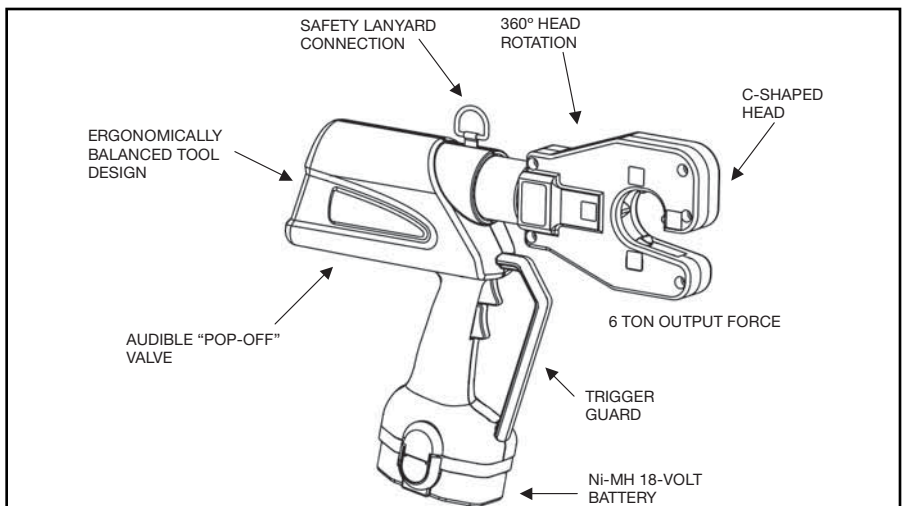
Copper, Aluminum, Compressed, Compact, Stranded, Solid and Flex Conductors

Installs Splices, Taps and Terminations

- #8 - 1000 kcmil Copper (YA, YA-L)
- #8 - 500 kcmil Copper (YS, YS-T, YS-L, Y-R)
- #8 - 777 (750 Nominal Flex Wire Size) kcmil Flex (YA-FX, YAV, YA-L-FX)
- #8 - 535 (500 kcmil nominal flex wire size) kcmil flex (YS, YS-LB, YSV-FXB)
- #8 - 750 kcmil Aluminum (YA-A)
- #8 - 350 kcmil Aluminum (YS-A)
- #8 - 750 kcmil Aluminum Pin Adaptors (AYP, AYPO)

**Features and Benefits
(Continued)**

- Advanced high speed pump design.
 - ◇ Provides fast crimps, longer life, efficiency, and reliability.
- 360° head rotation
 - ◇ Versatile tool head positioning lets the user get into tight areas easier.
- Durable high impact formed carrying case
 - ◇ Provides tool protection and stores all accessories.
- 5-year limited warranty
 - ◇ Customer satisfaction and support.



Blue highlighted items are industry standard and most frequently ordered.

PATRIOT® IN-LINE® PATMD6-14V SERIES

BATTERY ACTUATED TOOL

Hydraulic Self Contained—6 Ton

The BURNDY® IN-LINE® tools are battery actuated and can be operated with one hand allowing for advance, retract and hold functions for easier operation. One hand operation allows the operator one free hand to position the connector and conductor while crimping. The PATRIOT® PATMD6-14V series of tools incorporate a high speed hydraulic pump generating 6 tons of crimping force. This design provides a consistent, reliable connection every time.

The IN-LINE® tool features interchangeable MD6 series heads, capable of using “W” and “X” style dies in the permanent D3 groove. The PATMD6-K-14V accepts KEARNEY™ type “O” dies and BURNDY® “W” and “X” style dies with KWADP adapter. When ordering choose the tool that best suits your crimping needs. The IN-LINE® tools feature 350° rotatable heads for operation in virtually any position.

Each PATRIOT® IN-LINE® tool uses standard BURNDY® dies and off-the-shelf connectors available world-wide. IN-LINE® tools are supplied with a durable high impact formed carrying case, battery charger, two batteries, and die compartment to hold dies. (Dies are sold separately.) All BURNDY® IN-LINE® tools are provided with a 3-year limited warranty.

KEARNEY™ is a registered trademark of COOPER TECHNOLOGIES COMPANY.

PATRIOT® IN-LINE® VARIATIONS

- PATMD6-14V** Permanent “BG” (5/8”) and “D3” grooves.
- PATMD6-8-14V** Permanent “O” and “D3” grooves.
- PATMD6-6-14V** “Snub-Nose” version with permanent “D3” groove.
- PATMD6-K-14V** Accepts KEARNEY™ “O” type dies and BURNDY® “W” and “X” dies with KWADP adapter.



Features and Benefits

- True, one-handed operation for advance, retract, and hold.
- 6-ton output force for reliable compression connections.
- Pressure “pop-off” valve indicates completion of crimp.
- Interchangeable scissor action crimp jaws allow easier access to tight spaces.
- Ram holds position when trigger is released to allow the operator to check alignment prior to crimping.
- Allows the use of standard BURNDY® “W” and “X” dies already in use.
- Large hand grip area allows easier operation with gloves.
- Ergonomically balanced tool design helps lessen operator fatigue.
- Durable high impact formed carrying case.
- High capacity 2.6 AH batteries provide more crimps per charge.
- 14.4 volt Ni-MH battery eliminates voltage depression (memory issues).
- 3-year limited warranty on tool.
- 1-year warranty on batteries and charger.

SPECIFICATIONS

- Output force:** 6 tons (5.4 metric tons)
- Tool Weight:** 7.8 lbs (3.5 kg)
With Battery
- Length:** 20.91” (53.11cm)
- Width:** 3.69” (9.37 cm)
- Height:** 5.48” (13.91 cm)
- Operating Voltage:** 14.4 V-DC
- Recharge Time:** < 45 minutes

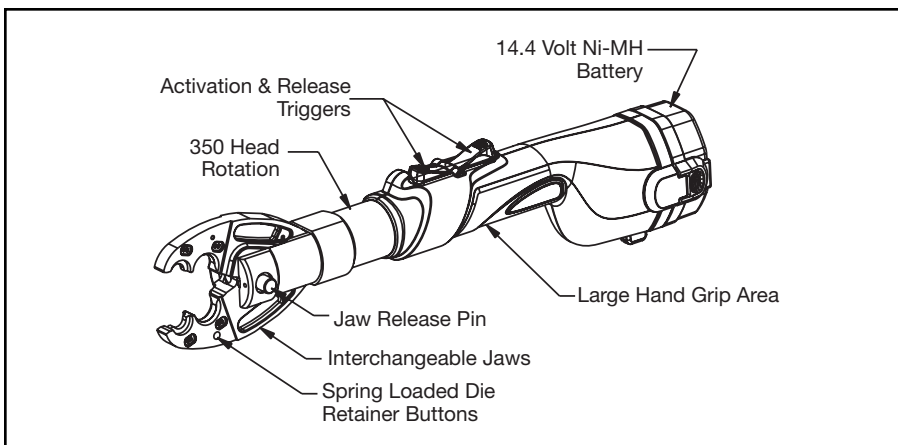
FOR USE ON

- Copper, Aluminum, ACSR. Steel, Copperweld, Alumoweld, 6201, 5005, Compressed, and Compact conductors
- Copper Taps: #10 solid - 2/0 stranded
- Aluminum and ACSR Taps: #14 solid - 4/0 ACSR
- Stirrups: #6 - 4/0 ACSR
- Overhead Full Tension Deadends, Full Tension Splices and Terminals #10 str. - 4/0 ACSR
- Installs splices, taps or terminations:
 - #8 - 500 kcmil Copper Str. (YA, YA-L, YS, YS-L)
 - #8 - 350 kcmil flex
 - #8 - 350 kcmil Aluminum (YA-A, & YS-A)

ACCESSORIES

- Battery:** Cat# **BAT14V**
(2.6 AH) Hi-capacity Ni-MH
- Chargers:**
 - 120V-AC Cat# **PATCHGR18V**
 - 12/24V-DC Cat# **BCT/PATDCCHGR**
 - 240/250V-AC Cat# **PATCHGR250V**
- Cutter Dies:** Cat# **W28K**
For cutting #4-4/0 Copper, Aluminum & ACSR
- Interchangeable Jaw Assemblies:**
 - “BG” and “D3” Grooves **PATJAWSMD6**
 - “O” and “D3” Grooves **PATJAWSMD6-8**
 - “D3” Only (“Snub-Nose”) **PATJAWSMD6-6**
 - KEARNEY Groove **PATJAWSMD6K**
 - (“Snub-Nose”)
- Jaw Covers:** **PATMD6JC, PATMD66JC, PATMD6KJC**

N-40



Blue highlighted items are industry standard and most frequently ordered.

PATRIOT® PAT600-18V

BATTERY ACTUATED TOOL

Hydraulic Self-Contained—6 Ton

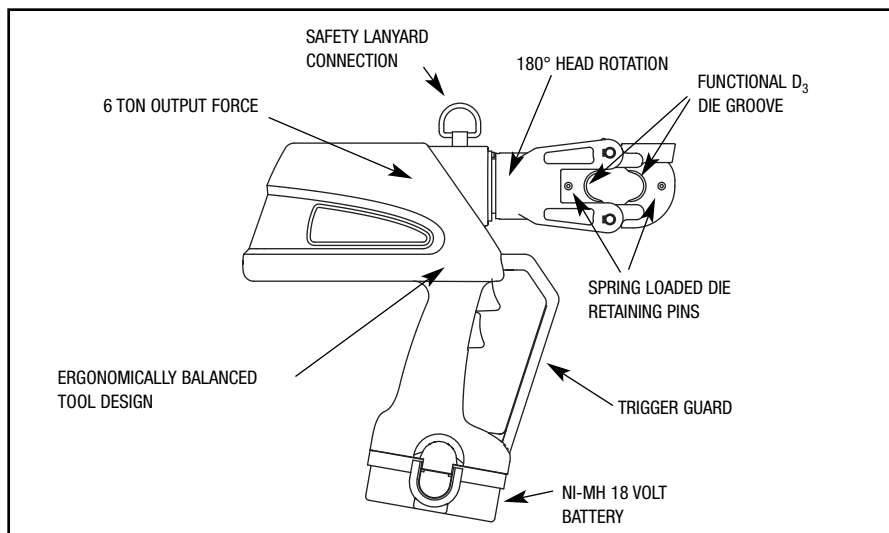
The BURNDY® PAT600-18V battery powered crimping tool provides a powerful 6 tons of crimping force and completes a crimp in approximately 3 seconds. The PAT600-18V is compact, easy to use and incorporates the latest in battery tool technology. The PAT600-18V tool incorporates a specialized latch style head with enhanced working stroke and clearance capabilities. The specialized head allows interference-free closure on tap connections up to the BURNDY® YHD-400 size including 350 kcmil aluminum connectors. Die selection with this tool includes all BURNDY® “W” and “W-VT” style dies which seat in the permanent “D₃” crimping groove. Installation applications include #8 AWG to 600 kcmil copper lugs and splices, #8 AWG to 350 kcmil aluminum lugs and splices (YA-A and YS-A), and up to 4/0 aluminum tap connections. The permanent “D₃” groove and 180 degree rotatable head are standard on the PAT600-18V.

Each PAT600-18V tool uses BURNDY® dies and off-the-shelf connectors available worldwide. The PAT600-18V comes equipped with a high impact formed carrying case to hold the tool, a battery charger and two batteries. The case houses up to 10 “W” dies (dies purchased separately). The PAT600-18V uses industry standard batteries and chargers. The PAT600-18V comes complete with a 5-year limited warranty and one year on batteries and charger.



Features and Benefits

- Battery powered crimp technology.
 - ◊ Easy tool operation and portability.
- Advance design high speed pump completes crimp in approximately 3 seconds.
 - ◊ Longer life, efficiency, and reliability.
- Ergonomic design allows one hand operation for ram advance and ram retraction.
 - ◊ User always has one hand free to manipulate connector and conductor.
- Variable speed trigger.
 - ◊ Provides flexibility in speed of ram advance.
- Ram holds position when trigger is released.
 - ◊ Provides ability to hold the connector between dies and check for proper alignment prior to crimping action.
- Mechanical ram release.
 - ◊ Reliable ram release (no battery power consumption).
- Specialized latch head design.
 - ◊ Provides enhanced clearance on tap connectors when compared with competitive designs.



Blue highlighted items are industry standard and most frequently ordered.

SPECIFICATIONS

- Crimp Force:** 6 Tons (US)
(5.4 metric tons)
- Tool Weight:** 10.9 lbs. (4.9 kg)
- Length:** 14.5" (36.8 cm)
- Width:** 3.5" (8.9 cm)
- Height:** 13.75" (34.9 cm)
- Operating Voltage:** 18 V-DC
- Crimp Time:** Approx. 3 seconds
- Recharge Time:** < 45 mins.

FOR USE ON

- Copper, Aluminum, ACSR, Steel, Copperweld, Alumoweld, 6201, 5005, Compressed, Compact, Stranded & Solid
- Installs splices, taps, or terminations:
 - #8 - 600 kcmil Copper Str. (YA, YA-L, YS, YS-L)
 - #8 - 350 kcmil Flex
 - #8 - 350 kcmil Aluminum (YA-A & YS-A)

ACCESSORIES

- **Lanyard:** Cat# **PT208620**
- **W Die Holder** Cat# **WDIETREE**
- **Battery:** Hi-capacity Cat# **BAT18V** (2.6 AH)
- **Charger:**
 - 120V-AC Cat# **PATCHGR18V**
 - 12/24V-DC Cat# **BCT/PATDCCHGR**
 - 240/250V-AC Cat# **PATCHGR250V**

Features and Benefits (Continued)

- 180 degree head rotation.
 - ◊ Versatile tool head positioning lets user get into tight areas easier.
- Uses 18 volt Ni-MH batteries.
 - ◊ Eliminates voltage depression or "memory".
- Audible pressure "pop-off" valve.
 - ◊ Indicates properly completed crimp.
- Permanent D₃ crimp groove accepts all "W-Dies".
 - ◊ Uses standard die design with proven performance.
- PAT600C-18V with covered head is available.
 - ◊ Covered head for impact protection.
- Durable high impact formed carrying case.
 - ◊ Provides tool protection and stores all accessories.
- 5-year limited warranty on tool, 1-year on batteries and charger.
 - ◊ Customer satisfaction and support.

N-41

Y34BH

HYPRESS™

Hydraulic Tool—
Remote Operated 10,000 PSI

9 ton remote power operated hydraulic tool. The Y34BH HYPRESS™ tool is designed for remote hydraulic power operation. Its new 10,000 PSI operating pressure makes it easily adaptable to most remote power systems. Its small C-shaped head is light-weight, compact and with a relatively large jaw opening ideally suited for NETWORK UNDERGROUND systems. The tool comes standard with permanent molded head with 3/16" rubber and includes a separate molded rubber boot that covers the lower body and hydraulic coupler for tool impact protection. Together, with other BURNDY® hydraulic accessories, the Y34BH HYPRESS™ tool may be used on lines. The Y34BH-1 has a ten foot non-conductive 10,000 PSI hose attached at the factory. The Y34BH Series tool has a 5-year limited warranty.



BENEFITS

- Allows for easy placement and removal from continuous conductor lengths.
- Long life.
- Fast ram retraction.
- Molded rubber covering on head, body, and hose fittings.
- Standard operating pressure.
- Ease in handling.
- Greater reliability.
- Reduced tool life cycle cost.
- 5-year limited warranty.

SPECIFICATIONS

- **Operating pressure:** 10,000 psi
- **Jaw opening:** 1-1/2"
- **Max force generated:** 9 Tons
- Head and body rubberized
- Accommodates "B" dies
- **Head length:** 11-1/2"
- **Overall dimensions:** 16-3/4" (incl. boot)
- **Total weight:** Approx. 8 lbs.

FOR USE ON

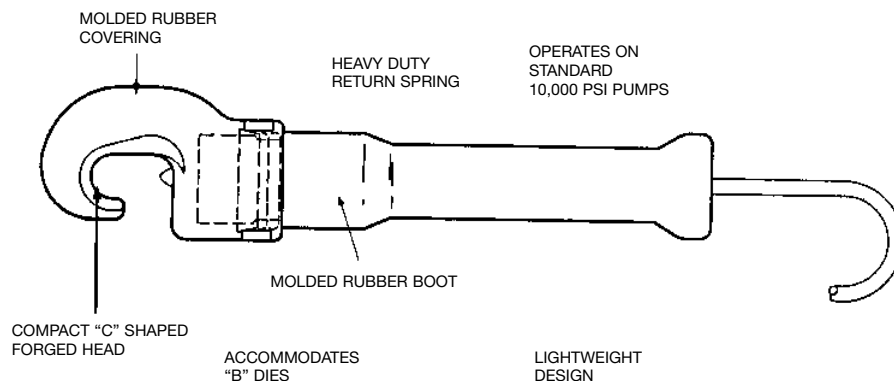
- Copper: #4-500 kcmil str.
- Welding Cable: 350 kcmil
- N40 to N500 Navy Cable
- Flexible and Extra Flexible
- #4 to 4/0 Aircraft Cable
- HYLUG™: Terminals-Uninsulated
- HYLINK™: Splices and Tees-Uninsulated
- HYCRAB™: BURNDY® Network Connector System.
- Copper: #4-500 kcmil str.
- Aluminum: #6-300 kcmil

Installation	Die	Maximum Conductor Size	
		Copper	Aluminum
B4CD	Y34PA	#6 Str.	
B1CD	Y34PA	#4 Str.	
B26D	Y34PA	#2 Str.	
B26D	Y34PR-5	#1 Str.	
B27D	Y34PR-5	1/0 Str.	
B29D	Y34PR-5	2/0 Str.	
B30D	Y34PR-5	3/0 Str.	
B31D	Y34PR-5	4/0 Str.	
B32D	Y34PR-5	250 kcmil	
No die req'd.	Y34PR-11	300 kcmil	

Installation	Die	Maximum Conductor Size	
		Copper	Aluminum
B4CD	Y34PR	#4 Str.	
B2CD	Y34PR	#2 Str.	
B1CD	Y34PR	#1 Str.	
B25D	Y34PR	1/0 Str.	
B26D	Y34PR	2/0 Str.	
B27D	Y34PR	3/0 Str.	
B28D	Y34PR	4/0 Str.	
B29D	Y34PR	250 kcmil	
B30D	Y34PR	300 kcmil	
B31D	Y34PR	350 kcmil	
No die req'd.	Y34PR	500 kcmil	

N-44

FEATURES



Blue highlighted items are industry standard and most frequently ordered.

Y29BH

HYPRESS™

**Hydraulic Tool—
Remote Operated 6,000 PSI**

4.5 Ton remote power operated hydraulic tool. The Y29BH HYPRESS™ tool is designed for remote hydraulic power operation. Its small, “C” shaped head is lightweight, designed for use in confined areas, where visibility and space is limited. Accommodates D-(series) nest dies and Y29-(series) indenter dies, for use with code or flex connector/conductor applications. Ideal for OEM applications. Dies sold separately. The Y29BH has a 5-year limited warranty.



SPECIFICATIONS

- Operating Pressure:** 6,000 psi
- Height:** 3"
- Length:** 10.75" (including coupler fitting)
- Head Width:** 1.15"
- Jaw Opening:** 1.2"
- Weight:** 5 lbs.
- Output Force:** 4.5 tons (9000 lbs)
- Crimp Type:** Nest/Indenter

FOR USE ON

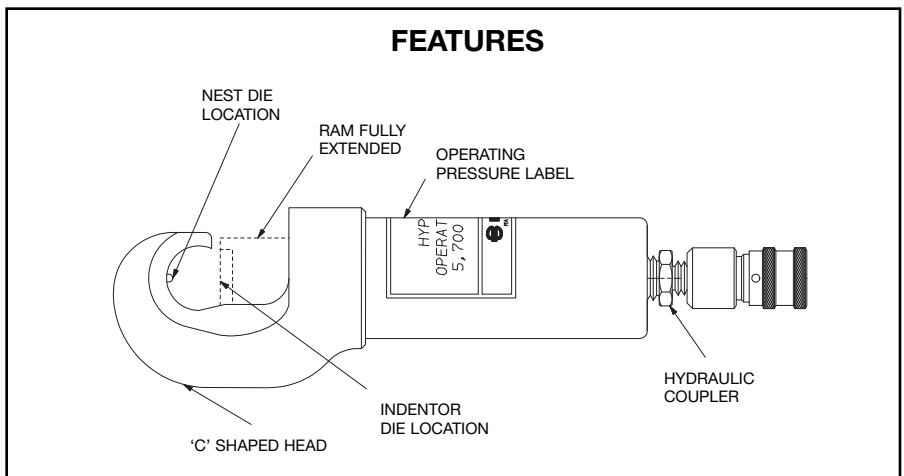
- Copper #8 - 4/0 AWG, Code/Flex
 - Nylon Insulated Lugs**
(Connectors meet MIL-T-7928 requirements)
 - YAEV-L, YAEV-H, YAEV-RS, YAEV-RH
 - Non-Insulated Lugs**
(Connectors meet MIL-T-7928 requirements)
 - YAV-L, YAV-R, YAV-RS
 - Non-Insulated Splices**
(Type YSV-L connectors UL Listed, CSA Certified)
 - YSM, YSV-L
- (Consult “Section B” of Catalog for detailed connector descriptions)

BENEFITS

- Easy placement/removal on continuous conductor lengths.
- Lightweight, portable head design
- Companion tool of Y29NC pneumatic HYPRESS™.
- Installs a wide variety of lugs and splices
- Ideal for AN, Flex and Code conductor terminations.
- 5-year limited warranty.

Uninsulated Connectors		Maximum Conductor SIZE	Insulated Connectors	
NEST	IND.		NEST	IND
DV8L-1	Y29PL	#8 AWG	DEV8L	Y29PLE-1
DV6L	Y29PL	#6 AWG	DEV6L	Y29PLE-1
DV4L	Y29PL	#4 AWG	DEV4L	Y29PLE-1
DV2L	Y29PL	#2 AWG	DEV2L	Y29PLE
DV1L	Y29PL	#1 AWG	DEV1L	Y29PLE
DV25L	Y29PL	1/0 AWG	DEV25L	Y29PLE
DV26L	Y29PL	2/0 AWG	DEV26L	Y29PLE

N-45



Blue highlighted items are industry standard and most frequently ordered.

Y750BHXT AND Y750CBHXT RUBBER COVERED HEAD

HYPRESS™

12 Ton Remote Power Operated Hydraulic Tool

Conductor Range:
 #14 - 750 kcmil Al/Cu
 #4 - 556.5 kcmil ACSR

12 ton remote power operated hydraulic tool. The Y750BHXT HYPRESS™ incorporates a wide mouth (1.65") C-shaped head for all compression applications. The hook style head provides for easy tapping, splicing, and terminating of overhead lines as well as the full range of HYGROUND® compression grounding system connectors, NEC cable connections and N30 - N650 Navy cable applications.

All standard BURNDY® "U" dies fit the Y750BHXT and Y750CBHXT HYPRESS™. Dies and accessories sold separately.

The Y750CBHXT has a permanently molded rubber covered head and includes a separate rubber molded boot that covers the lower body and hydraulic fitting for tool impact protection. 5-year limited warranty.



BENEFITS

- Covers a wide range of applications and provides easy tool removal from continuous conductors with its C-shaped head (1.65" opening).
- Easy die change out and retention with exposed positive die lock buttons.
- Uses all standard BURNDY® U-dies.
- Y750CBHXT provides molded rubber covering on head, body and hose fittings.
- Hot stick adapter sold separately.
- Infinitely rotatable head, so hydraulic couplers won't easily loosen.
- 5-year limited warranty.

SPECIFICATIONS

Operating pressure: 10,000 psi
 Force developed: 12 tons
 Jaw opening: 1.65" (42 mm)
 Length: 12.8" (325 mm)
 Weight: 10.3 lbs. (4.7 kg)
 Head width: 5.2" (132 mm)

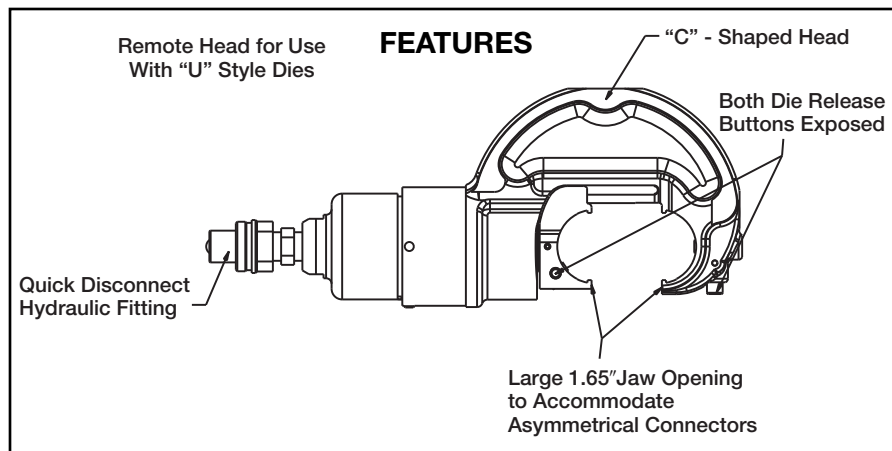
FOR USE ON

- **Tension Sleeves**
 - Copper #8 sol - 500 kcmil
 - Aluminum #6 sol. - 556.5 kcmil
 - ACSR #4 - 556.5 kcmil
- **Taps**
 - Copper #14 solid - 500 kcmil
 - Aluminum #6 - 500 kcmil
- **Aerial Cable**
 - Copper #6 - 500 kcmil
- **Terminals and Splices**
 - Aluminum #8 - 750 kcmil
 - Copper #8 - 750 kcmil
 - ACSR #4 - 556 kcmil
- **HYGROUND® (Compression Grounding)**
 - Copper #6 - 500 kcmil (cable/ground rod)
 - Ground Rods 1/2" - 1" Diameter

ACCESSORIES:

Cat. No.	Description
PT29402-1	Adjustable head grip for joining head to universal hot sticks.
PT29279-2	Force test gauge for accurate visual reading of output force.
PT29291	Die Case Steel case for storage and protection of "U" dies.
WIREMIKE	Provides quick and easy identification of commonly used conductors.

N-46



Blue highlighted items are industry standard and most frequently ordered.

Y644MBH

DIELESS HYPRESS™

Hydraulic Tool—
Remote Operated 10,000 PSI

The “1” Crimp-Range Taking 11-Ton Force - Hydraulic Remote Tool #6-1000 kcmil Copper HYLUG™ Terminals and HYLINK™ Splices #6-1000 kcmil Aluminum HYLUG™ Terminal and HYLINK™ Splices

The “1” Crimp Type Y644MBH Dieless HYPRESS™ Remote Tool, crimps 195 different copper and aluminum HYLUG™ terminals and HYLINK™ splices, which cover the breadth of 38 code conductor sizes and 15 Navy cable sizes.

Only one (1) crimp is required for each wire termination for both long and standard length barrels on BURNDY® HYLUG™ and HYLINK™ connectors throughout the entire conductor range. The Y644MBH dieless remote head tool operates on 10,000 psi hydraulic pressure and develops an output force of 11 tons, the same as the self-contained Y644M Dieless HYPRESS™. Five-year limited warranty.

The following size HYDENT™ lugs and two way splices, when crimped with the Y644MBH Dieless HYPRESS™ Tool, produce the following range taking capabilities.

Aluminum Connectors		Copper Connectors	
Standard Wire Size	Expanded Wire Range	Standard Wire Size	Expanded Wire Range
#6 AWG	#6 AWG	#6 AWG	#6 AWG
#5 AWG	#5-#6 AWG	#5 AWG	#5-#6 AWG
#4 AWG	#4-#6 AWG	#4 AWG	#4-#6 AWG
#3 AWG	#3-#6 AWG	#3 AWG	#3-#6 AWG
#2 AWG	#2-#6 AWG	#2 AWG	#2-#6 AWG
#1 AWG	#1-#2 AWG	#1 AWG	#1-#6 AWG
1/0 AWG	1/0-#1 AWG	1/0 AWG	1/0-#6 AWG
2/0 AWG	2/0-#1 AWG	2/0 AWG	2/0-#4 AWG
3/0 AWG	3/0-#1 AWG	3/0 AWG	3/0-#2 AWG
4/0 AWG	4/0-#1 AWG	4/0 AWG	4/0-#1 AWG
250 kcmil	250-1/0 AWG	250 kcmil	250-1/0
300 kcmil	300-2/0 AWG	300 kcmil	300-2/0
350 kcmil	350-3/0 AWG	350 kcmil	350-3/0
400 kcmil	400-4/0 AWG	400 kcmil	400-4/0
500 kcmil	500-4/0 AWG	500 kcmil	500-4/0
600 kcmil	600-250 kcmil	600 kcmil	600-250
750 kcmil	750-500 kcmil	750 kcmil	750-500
1000 kcmil	1000-750 kcmil	800 kcmil	800-500
		1000 kcmil	1000-750



SPECIFICATIONS

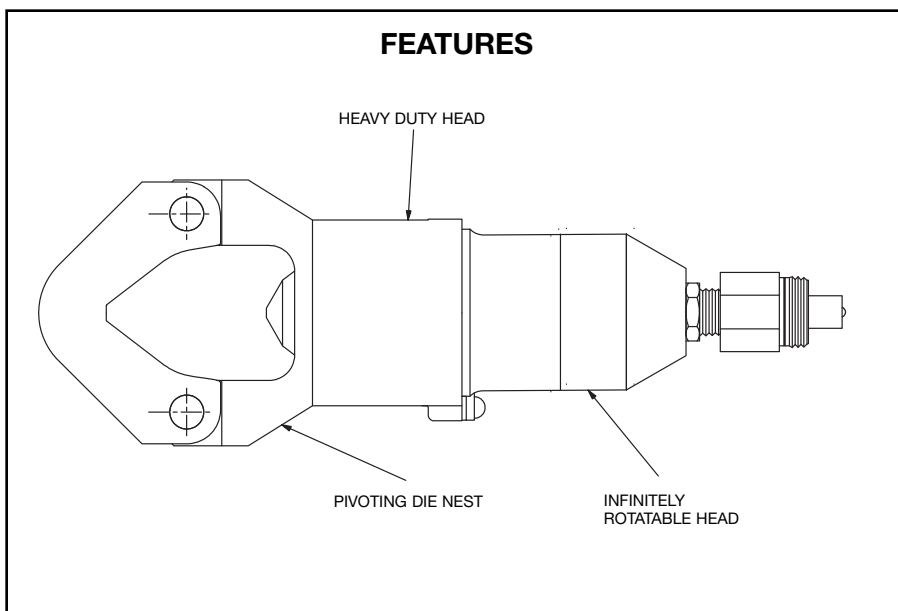
- Force Developed:** 11 Tons
- Operating Pressure:** 10,000 psi
- Head Width:** 3.93"
- Overall Length:** 12"
- Weight (less case):** 9-1/2 lbs.

FOR USE ON

AWG/kcmil Wire Size Range	Connector Type
Copper #6 - 1000 kcmil	Terminals YA-L, YA-2LN, YA, YA-2N, YA-L-2TC, YAB-4N, YA-L-TC, YA-2L, YA-4N Splices YS-L, YS-T, YS
Aluminum #6 - 1000 kcmil	Terminals YA-A, YA-A-TN Splices YS-A
Aluminum #6 - 750 kcmil	HYPLUG™ AYP, AYPO

BENEFITS

- Dieless system, eliminates the need to purchase and maintain dies.
- Easy tool positioning with its infinitely rotatable head.
- Easy inspection and positive identification is provided with the BURNDY® logo.
- Five-year limited warranty.



N-47

Blue highlighted items are industry standard and most frequently ordered.

4-POINT® Y81KFTMBH

DIELESS HYPRESS™

10,000 PSI Dieless Hydraulic Tool—Remote Operated

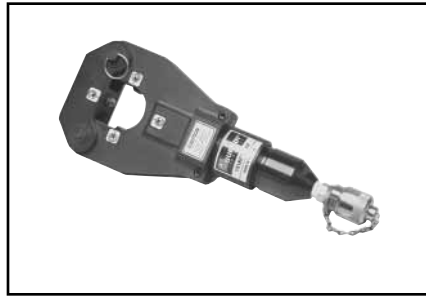
#8 - 1000 kcmil Copper
HYLUG™ Terminals and
HYLINK™ Splices

#8 - 750 kcmil Aluminum
HYLUG™ Terminals and
HYLINK™ Splices

The Y81KFTMBH 4-POINT® dieless HYPRESS™ is a remote powered 6 ton hydraulic crimping tool for use on a wide variety of terminal and splice compression applications. The Y81KFTMBH incorporates a dieless latch style head that provides easy tool removal from continuous conductor runs and eliminates the need to purchase and maintain dies. The Y81KFTMBH dieless remote head tool operates on 10,000 psi hydraulic pressure and develops an output force of 6 tons, the same as the self contained Y81KFTMBH. The result is easy termination and splicing using BURNDY® HYLUG™ and HYLINK™ terminals and splices.

The Y81KFTMBH is supplied with a canvas bag and quick connect fittings and comes complete with a 5-year limited warranty.

Y81KFTMBH dieless HYPRESS™ Range Taking Capabilities: The Y81KFTMBH provides range taking capabilities that is UL and CSA listed for Copper (Code, Compact and Flex) and Aluminum (Code and Compact) conductors when used in conjunction with BURNDY® HYLUG™ terminals and HYLINK™ splices. See chart for connector, conductor and range taking combinations.



Features and Benefits

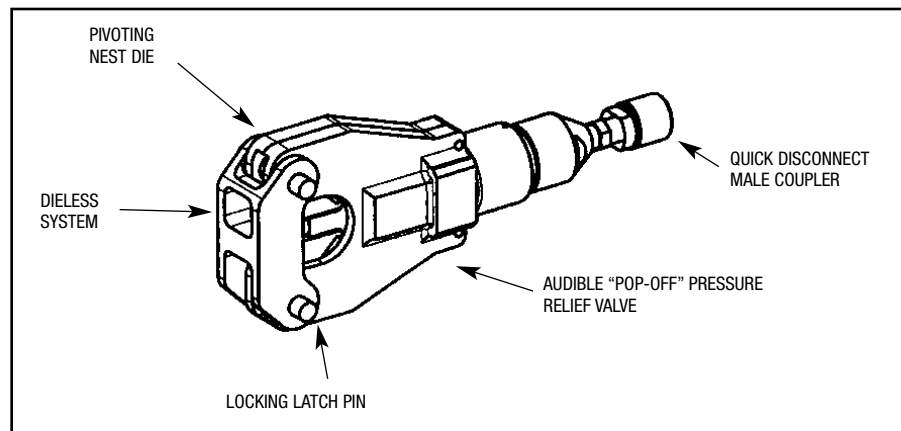
- Dieless installation system.
 - ◇ Eliminates the need to purchase and maintain dies.
- UL Listed and CSA Certified with Range Taking Capabilities
 - ◇ Provides the installer with UL Listed and CSA Certified crimps with Range Taking Capabilities when used in conjunction with BURNDY® HYLUG™ Terminals and HYLINK™ Splices.
- Flip top head design.
 - ◇ For easy loading and removal of installed terminals and splices, saving time.
- Incorporates Parker type quick connect couplers.
 - ◇ Eases installation time.
- Audible pressure “pop-off” valve and die embossment providing 360° inspectability.
 - ◇ Assures proper crimps with both audible and visual indicators for the installer.
- 5-year limited warranty on tool.
 - ◇ Customer satisfaction and support.

SPECIFICATIONS

- Output Force:** 6 tons (12,000 lbs.)
(5.4 Metric Tons)
- Weight:** 8.5 lbs. (3.86 kg)
- Overall Length:** 13.9 in. (354 mm)
- Head Width:** 5.4 in. (138 mm)
- Operating Pressure:** 10,000 psi
(68.9 MPa)

FOR USE ON

- Copper, Aluminum, Compressed, Compact, Stranded, Solid and Flex Conductors.
- Installs Splices, Taps and Terminations:
 - #8 - 1000 kcmil Copper (YA, YA-L, YS, YS-L, YS-T, Y-R)
 - #8 - 777.7 (750 Nominal Flex Wire Size) kcmil Flex (YA-FX, YAV, YA-L-FX, YS, YSV-FXB)
 - #8 - 750 kcmil Aluminum (YA-A, YS-A)
 - #8 - 750 kcmil Aluminium Pin Adapters (AYP, AYPO)



**4-POINT®
Y4PC834MBH**

DIELESS HYPRESS™

**10,000 PSI Dieless Hydraulic
Tool—Remote Operated**

The Y4PC834MBH 4-POINT® C-head dieless HYPRESS™ is a remote powered 6 ton hydraulic crimping tool for use on a wide variety of tap, terminate, and splice compression applications. The dieless capability of this tool eliminates the need to purchase or maintain additional dies. The Y4PC834MBH incorporates a C-shaped head design making it ideal for crimping in tight areas and is easily removed from continuous conductor runs. The head rotates 360° and is mated to a patented rapid advance pump. The Y4PC834MBH weighs only 8.35 pounds and delivers 6 tons of crimping force. The result allows for easy tap, termination and splicing of compression connectors.

The Y4PC834MBH is supplied with a canvas bag, quick connect fittings and comes with a 5-year limited warranty.

The Y4PC834MBH provides range taking capabilities that are UL Listed and CSA Certified for Copper (Code, Compact and Flex) and Aluminum (Code and Compact) conductors when used in conjunction with BURNDY® HYLUG™ terminals and HYLINK™ splices as listed on page C-7 in the Master Catalog.



Features and Benefits

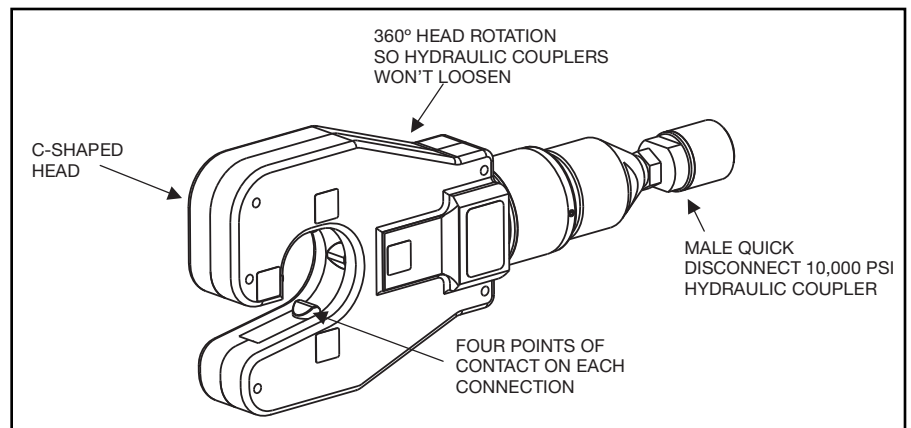
- Dieless installation system
 - ◇ Eliminates the need to purchase and maintain dies.
- UL Listed and CSA Certified with range taking capabilities
 - ◇ Provides the installer with a UL Listed and CSA Certified crimps when used in conjunction with BURNDY HYLUG™ and HYLINK™ compression connectors.
- C-shaped head design
 - ◇ For easily removing tool from continuous run conductors – Simply slide the opening of the head off the conductor. Also ideal for use in tight or constrained spaces.
- Visual 360° inspectability
 - ◇ Assures proper crimps with visual indicators for the installer.
- 5-year limited warranty
 - ◇ Customer satisfaction and support.

SPECIFICATIONS

- Output Force:** 6 Tons (5.4 Metric Tons)
- Weight:** 8.35 lbs (3.7 kg)
- Length:** 13.9 in (354 mm)
- Width:** 5.4 in (178 mm)

FOR USE ON

- Copper, Aluminum, Compressed, Compact, Stranded, Solid and Flex Conductors
- Installs Splices, Taps and Terminations:
 - #8 - 1000 kcmil Copper (YA, YA-L)
 - #8 - 500 kcmil Copper (YS, YS-T, YS-L, Y-R)
 - #8 - 777 (750 Nominal Flex Wire Size) kcmil Flex ((YA-FX, YAV, YA-L-FX)
 - #8 - 535 (500 kcmil nominal flex wire size) kcmil flex (YS, YS-LB, YSV-FXB)
 - #8 - 750 kcmil Aluminum (YA-A)
 - #8 - 350 kcmil Aluminum (YS-A)
 - #8 - 750 kcmil Aluminum Pin Adaptors (AYP, AYPO)



Blue highlighted items are industry standard and most frequently ordered.

Y45

HYPRESS™

15 Ton Remote Power Operated Hydraulic Tool—10,000 PSI

The Y45 Series is designed for remote hydraulic operation. A C-shaped head design provides easy installation of tap and splice connectors. The hook style head with extensive ram travel operates easily on large distribution and transmission conductors. Together with accessories, the Y45 Series tooling may be used on overhead lines. The small light-weight head design is very adaptable for work in underground trenches and manholes. Uses standard BURNDY® “S” Dies.

Cat. No. **PT6515** is required to use “U-” type dies in all Y45 variations. Order Head, Hose, Pump, Dies, and accessories separately. 5-year limited warranty.



SPECIFICATIONS

	Y45
Operating pressure:	10,000 psi
Force developed:	15 Tons
Weight (less case):	15-3/4 lbs.
Maximum Width:	7-1/4"
Maximum Height:	14-1/4"

FOR USE ON

AWG/kcmil Wire Size Range		Connector Type
Tension Sleeves	Copper	#8 sol.-500 kcmil
	Aluminum	#6 sol.-954 kcmil
	ACSR	#4 -795 (26/7)
Taps	Aluminum	#14-954 (18/1) ACSR
	ACSR	#6-795 (54/7)
Aerial Cable Connectors	Copper	#6 str.-1500 kcmil
	Aluminum	#4 str.-1000 kcmil
HYGROUND®		
Compression Grounding	Copper	#6-500 kcmil 1/2" - 1" ground rods
Code Cable Terminals and Splices	Copper	#8-1500 kcmil
	Aluminum	#8-1000 kcmil
Taps	Copper	#14-1000 kcmil
	Aluminum	#14-900 kcmil

BENEFITS

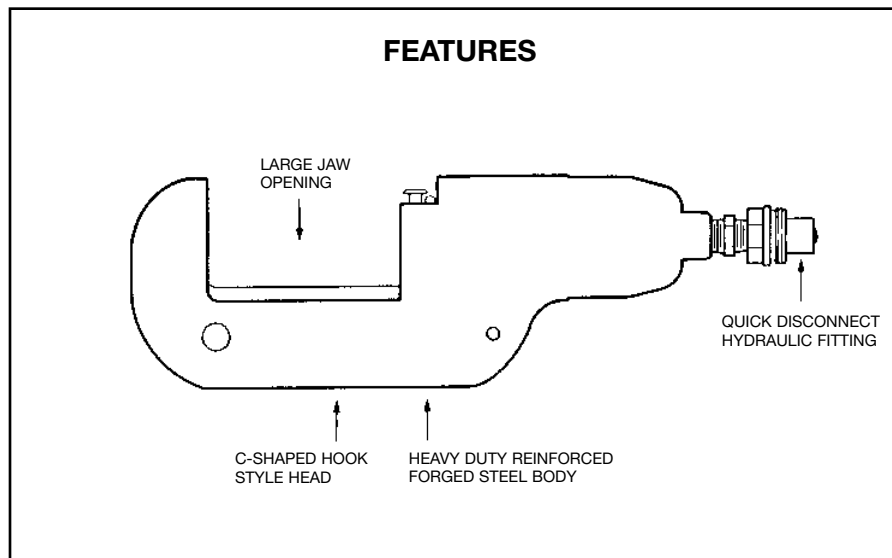
- Easy connector installation and tool removal from line conductors with the open C-shaped head.
- Easily lifted into working position using lifting eye.
- Easy die changing plus secure die alignment is provided with the positive die lock buttons.
- Long life expectancy is provided with fully protected ram and die buttons.
- Rapid assembly and disassembly is provided with the quick disconnect hydraulic coupler.
- Rugged design provides long life expectancy.
- 5-year limited warranty.

ACCESSORIES:

Cat. No. **PT6515**
Description:
Adapter for use with “U-” die sets.

Cat. No. **PT6545**
Description:
Die carrying case for “S” and “P” type dies. Holds eight (8) die sets. (Dies sold separately.)

N-50



Blue highlighted items are industry standard and most frequently ordered.

Y46 AND Y46C

HYPRESS™

15 Ton Force Remote Operated Hydraulic Tool—10,000 PSI

The Y46 standard tool and Y46C rubber covered tools are lightweight, compact and versatile with installation dies for both circumferential and nest-indentor types. Accessories include “U-” die adapter, a cable cutting die for 1.2” diameter non-steel conductors, plus a lifting eye and universal hot-stick adapter for overhead line construction. 5-year limited warranty.



BENEFITS

- Compact “C” shaped head allows easy placement and removal from continuous conductor lengths.
- Versatile and economical-HYPRESS™ tools work on all commonly used copper and aluminum products.
- Dies and adapters lock into or remove from tool head easily with the positive push button die locks.
- Safety, strength and high quality is provided with strong forged steel and precision machined components.
- Excellent for HYGROUND® compression grounding applications through 1” ground rods and up to 500 kcmil taps, terminals and splices.
- Compression terminal, splice and tap connectors are UL Listed and CSA Certified when installed with the Y46 and Y46C HYPRESS™ and recommended die set.
- Y46C has a permanently molded head of 3/16” rubber and includes a separate molded rubber boot to cover the lower HYPRESS™ body and hydraulic coupler for impact protection.

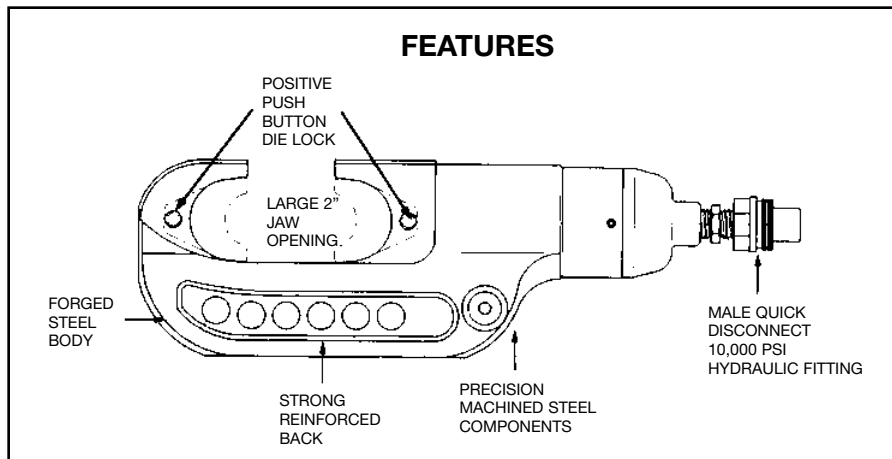
SPECIFICATIONS

	Y46	Y46C
Force developed:	15 Tons	15 Tons
Operating pressure:	10,000 psi	10,000 psi
Jaw opening:	2”	2”
Maximum width:	4-1/2”	4-3/4”
Overall length:	15”	21-3/4” (incl. boot)
Weight (less case):	16 lbs.	17-1/2 lbs.
Molded Covering:	No	Yes

FOR USE ON

Connector Type	Conductor Range
Copper	Terminals-Grounding to 500 kcmil
#8 AWG str.-	YGA, YGHA, YGF
1500 kcmil	Terminals-Uninsulated #8 to
Code Cable	1500 kcmil YA, YA-2N, YA-L,
Navy Cables	YA-LB, YA-TC, YA-2LN, YAB-4N,
Flexible and	
Extra Flexible	YAV-L Box, YAV-L, YAV-RS Box,
1/2”-1” Ground Rods	YAV-RS, YA-TC-FX
	Terminals-Insulated #8 to 2/0
	YAEV-L Box, YAEV-L, YAEV-H,
	YAEV-RS, YAEV-RH
	Splices #8 to 1500 kcmil
	YS, YS-T, YS-L, YS-LB, YST,
	YSP-T, YGS, YGHS
	Taps
	YH, YCHC #14 to 1000 kcmil
	YC-C to 4/0 AWG
	Taps-Grounding to 500 kcmil
	YGHC-C, YGHP-C, YGHR-C
Aluminum	Terminals
#8 AWG-	YA-A, AYP, AYPO
1250 kcmil	Splices
Code Cables	YS-A, YS-AT, YRB
	Taps
	YFD, YFN, YFO, YFR
ACSR	See Burndy Overhead Transmission and Distribution Catalog Module

N-51



ACCESSORIES:

- Cat. No.**
- P15K** Cutter die max. 1.2” dia.
 - PUADP-1** “U”-die adapter
 - PT10128** Universal hotstick adapter-Y46
- Y46-2** Same as Y46 with Female coupler

Blue highlighted items are industry standard and most frequently ordered.

Y60BHU AND Y60BHUD

HYPRESS™

60 Ton Remote Power Operated Hydraulic Tools

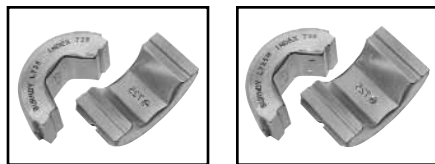
Single and Double Acting Hydraulic Tool Designs

The Y60BHU HYPRESS™, single acting, and Y60BHU-D HYPRESS™, double acting, are both designed to provide fast, easy operation plus a durable and substantially longer design life expectancy. Both Y60BHU and Y60BHU-D HYPRESS™ tools accommodate the same “L” dies. The “L” dies are designed for copper and aluminum code cables and aerial conductor sizes through 2500 kcmil and will accommodate ACSR through 2156 (84/19) str. Five-year limited warranty.

TYPE “L” DIES

For Use With Y60BHU and Y60BHUD

BURNDY® offers two types of “L” dies. Our standard width L dies (example: L735).



Standard L Die

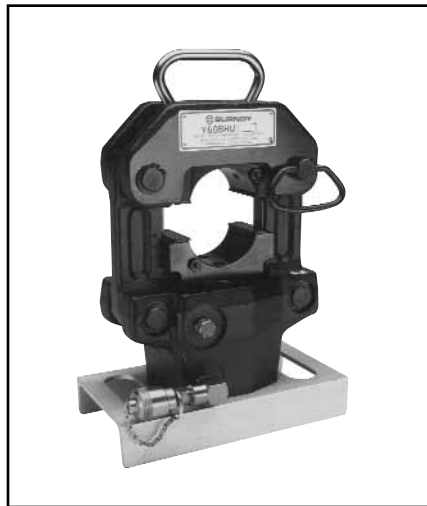
Wide L Die

Wider “L” dies with Indicia marks (example: L735W). Indicia marks on the die provide the installer with the start location for the next overlap crimp consistently on aluminum connector surfaces. Reduces the number of crimps and installation time.



The following dies are available in this series:

- | | |
|-------|-------|
| L717W | L719W |
| L720W | L722W |
| L724W | L725W |
| L727W | L728W |
| L729W | L735W |



BENEFITS

- Easy to carry with heavy duty handle.
- Easy to remove splices with nest that pivots open.
- Safety and security is provided with captive locking pin for nest die.
- Long life expectancy (50,000 cycles) with heavy duty steel frame.
- Fast easy die changing and secure die positioning with positive die release locking pins.
- Faster retraction with double acting hydraulic system (Y60BHUD).
- Protected male coupler with captive cap.
- Stability is provided with sturdy steel base.
- Easy, less costly repairs with fewer parts that are easily accessible (example: Bottom die holder).
- 5-year limited warranty.

SPECIFICATIONS

- Force developed:** 60 tons
- Operating pressure:** 10,000 psi
- Hydraulic oil:** BURNDY® ALFLUID™
- Life expectancy:** 50,000 cycles min.
- Height:** 16.62”
- Weight (less case):** 70 lbs.
- Shipping weight:** 97 lbs.

FOR USE ON

Copper

- 300 kcmil-2000 kcmil Str. Code Cable
- Terminals
YA, YA-2N, YAB-4N, YA-L, YA-2LN, YA-LB
- Splices
YS, YST, YS-L, YS-T, YSP-T

Aluminum

- 250 kcmil-2000 kcmil Str. Code Cable
- Terminals
YA-A
- Splices
YS-A, YS-AT

Transmission and Distribution Connectors

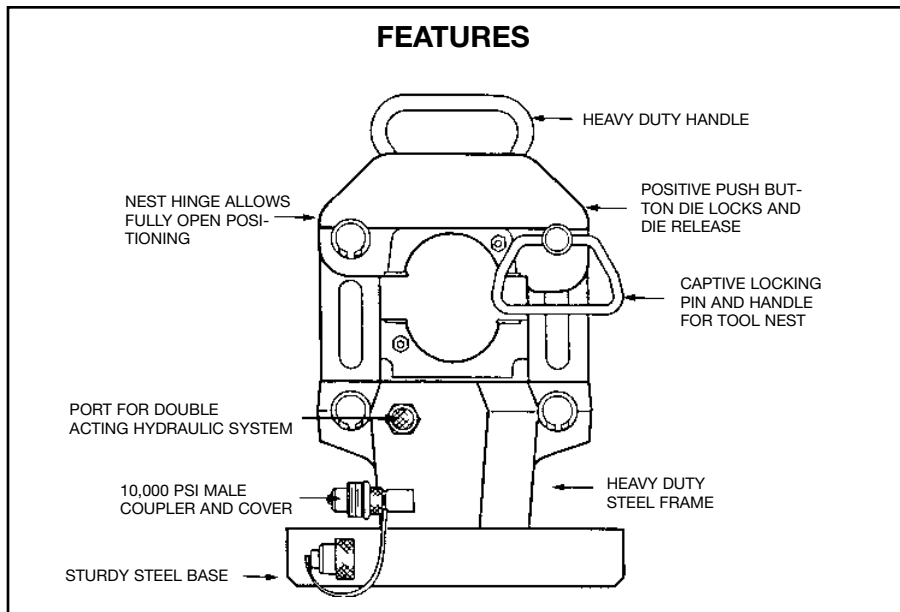
Tension Sleeves:

- Copper: 1/0 str. - 1000 kcmil
- Aluminum: 1/0 str. - 2300 kcmil
- ACSR: 1/0 - 2156 (84/19 str.)

Aerial:

- Copper: 4/0 str. - 2500 kcmil
- Aluminum: 3/0 str. - 2500 kcmil
- YTS, YTN, YNS, YNA, YNT, YNTA, YNU, YDS, YDN, YCS, YCA, YCU

FEATURES

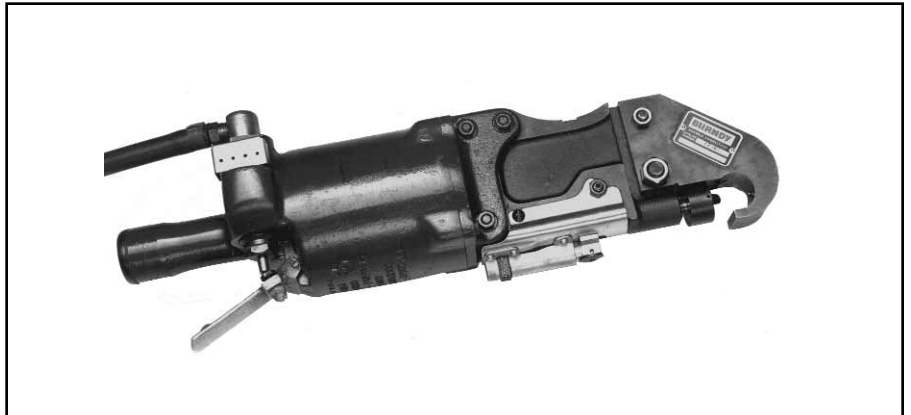


Blue highlighted items are industry standard and most frequently ordered.

Y29NC

PNEUMATIC HYPRESS™

The Y29NC Pneumatic HYPRESS™ operates on 85-100 PSI and will install insulated and uninsulated terminals from #8 - 2/0 copper. Uses DV type nest with Y29 type indenter.



BENEFITS

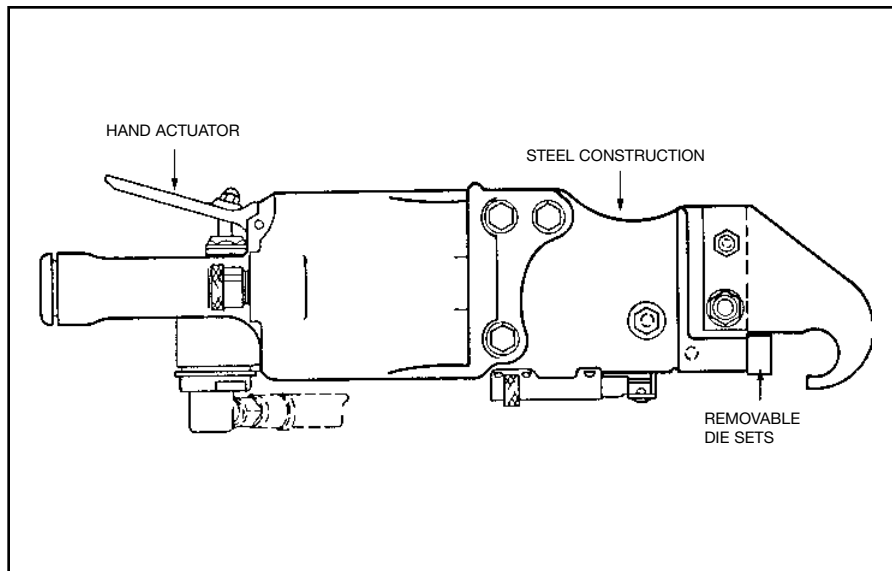
- Portable or bench mounted.
- Adjustable blow off valve to ensure proper indenting force.
- Uses DV type nest with Y29 type indenter.
- Hand operated.
- 5-year limited warranty.

SPECIFICATIONS

Weight: 12-1/2 lbs.
Length: 17-1/2"
Air line pressure: 85 - 100 PSI

FOR USE ON

Wire Range: #8-2/0 Cu
YAEV-L, YAEV-H, YAEV-RS, YAEV-RH,
YAV-L, YAV-R
YAV-RS, YSV-L, YSM



Die Index	Nest/Indenter
38/631	DV8L/Y29PL
6/631	DV8L/Y29PL
39/632	DV6LY29PL
7	D6CL/Y29PL
40/633	DV4L/Y29PL
9	D3CL/Y29PR
41/634	DV2CL/Y29PL
42	DVIL/Y29PR
43	DV256/Y29PR
13	D26L/Y29PR
44	DV26L/Y29PR
49	DV8L/Y29PL

Blue highlighted items are industry standard and most frequently ordered.

TFM

TAPE FED MACHINE

For Automatic Installation of Tape Mounted Terminals

The BURNDY® TFM machine installs vinyl insulated, nylon insulated and uninsulated terminal sizes #26-#10 without time-consuming die changes. A rotating turret die holder consists of three die sets. With the new TFM, your operators can crimp from 1,500 to 2,500 terminals per hour.

BURNDY® has made a breakthrough in die changing—the TFM is the first and only turret die holder to crimp terminals automatically. No long complicated setups or paying for duplicate machines: Once the dies are secure to the die holder there's never a need to remove them. No adjustments. No calibrations. Just a simple twist of the wrist. An operator can change reels, terminals and dies in seconds flat.



SPECIFICATIONS

Height: 16"
Width: 13"
Depth: 6"
Weight: 35 lbs.

FOR USE ON

#26 - #10 AWG Cu

Vinyl Insulated Terminals:

BA-EF-M, BA-EL-M, BA-EM, BA-EZ-M

Nylon Insulated Terminals:

YAE-M, YAE-FM, YAE-ZM

Non-Insulated Terminals:

YAD-M, YAD-FM

Vinyl Insulated Disconnects:

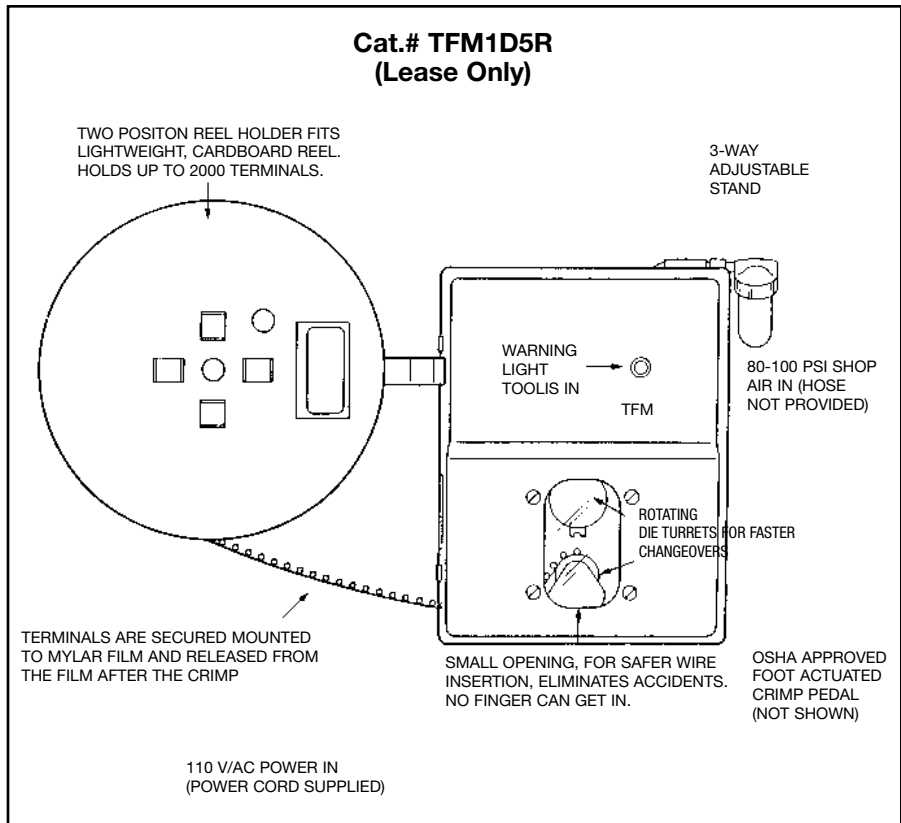
PQ-M

FEATURES

- Positive wire locator.
- Foot-actuated crimp.
- Lightweight Reel.
- Quiet operation.
- Lease policy.
- Can crimp up to 1,500 to 2,500 terminals per hour.
- An operator can change reels, terminals and dies in 30 seconds.
- Rotating turret die holder permits terminal change over in seconds.

BENEFITS

- Ensures proper wire termination.
- Minimizes repetitive hand motion injuries.
- Smooth rotation advance of connectors.
- Eliminates need for earplugs/noise dampeners.
- Inexpensive alternative to buying.
- High volume production capability.
- Minimizes production downtime.



TFM INSTALLATION TOOLING CHART

Tape Mounted Catalog Number 2000/Reel	Installation Tooling
BA16E4M	TFM with DFM3-1 Die
BA16E6M	
BA16E8M	
BA16E10M	
BA16E14M	
BA16E38M	
BA14E4M	TFM with DFM2-1 Die
BA14E6M	
BA14E8M	
BA14E10M	
BA14E14M	
BA14E38M	
*BA10E6M	TFM with DFM1D5 Die
*BA10E8M	
*BA10E10M	
*BA10E14M	
*BA10E38M	

BA16EF2M	TFM with DFM3-1 Die
BA16EF6M	
BA16EF8M	
BA16EF10M	
BA14EF8M	TFM with DFM2-1 Die
BA14EF10M	
*BA10EF6M	TFM with DFM1D5 Die
*BA10EF8M	
*BA10EF10M	

BA16EL6M	TFM with DFM20D1 (20-22 AWG) DFM3-1 (16-10 AWG)
BA16EL8M	
BA16EL10M	
BA14EL6M	TFM with DFM2-1 Die
BA14EL8M	
BA14EL10M	TFM with DFM1D5 Die
*BA10EL6M	
*BA10EL8M	
*BA10EL10M	

* 1000 per Reel

Tape Mounted Catalog Number 2000/Reel	Installation Tooling
YAD18-4M	TFM with DFM6-1 Die
YAD18-6M	
YAD18-8M	
YAD18-10M	
YAD18-14M	
YAD14-4M	TFM with DFM5D1 Die
YAD14-6M	
YAD14-8M	
YAD14-10M	
YAD14-14M	
YAD14-38M	TFM with DFM4D1 Die
*YAD10-8M	
*YAD10-14M	
*YAD10-516M	
*YAD10-38M	

YAE22N65FM	TFM with DFM11D1 Die
YAE22N66FM	
YAE18G43FM	TFM with DFM10D1 Die
YAE18N56FM	
YAE18N57FM	TFM with DFM9D1 Die
YAE14N76FM	
YAE14N77FM	
YAE14N78FM	

* 1000 per Reel

Tape Mounted Catalog Number 2000/Reel	Installation Tooling
YAE22G18M	TFM with DFM11D1 Die
YAE22G16M	
YAE22G13M	TFM with DFM10D1 Die
YAE18N29M	
YAE18N27M	
YAE18-N7M	
YAE18N26M	
YAE18N21M	
YAE18N25M	
YAE18G43M	
YAE-18N24M	
YAE18N1M	
YAE18NM	
YAE18N2M	TFM with DFM7D1 Die
YAE18N3M	
YAE14N43M	
YAE14N1M	
YAE14NM	
YAE14N2M	
YAE14N3M	
YAE14N4M	
YAE12N9M	
YAE12N1M	
YAE12NM	
YAE12N2M	
YAE12N3M	
*YAE10N5M	
*YAE10N11M	
*YAE10NM	
*YAE10N3M	
*YAE10N2M	
*YAE10N4M	

* 1000 per Reel

Tape Mounted Catalog Number 2000/Reel	Installation Tooling
YAE22Z1M	TFM with DFM11D1 Die
YAE22Z2M	
YAE22Z3M	TFM with DFM10D1 Die
YAE18Z1M	
YAE18Z3M	TFM with DFM9D1 Die
YAE18Z4M	
YAE14Z3M	TFM with DFM7D1 Die
YAE14Z4M	
YAE12Z2M	
YAE12Z3M	

BA16EZ2M	TFM with DFM3-1 Die
BA16EZ6M	
BA16EZ10M	
BA14EZ6M	TFM with DFM2-1 Die
BA14EZ8M	
BA14EZ10M	TFM with DFM1D5 Die
*BA10EZ8M	

PQ18R257M	TFM with DFM13D1 Die
PQ18R258M	
PQ14R257M	TFM with DFM12D1 Die
PQ14R258M	
PQ10R258M	TFM with DFM16D1 Die

PQ18R256M	TFM with DFM15D1 Die
PQ14R256M	TFM with DFM14D1 Die

PQ18R187M	TFM with DFM13D1 Die
PQ18R188M	
PQ14R187M	TFM with DFM12D1 Die
PQ14R188M	

* 1000 per Reel

Blue highlighted items are industry standard and most frequently ordered.

MCC500, MCC1000

MANUAL CABLE CUTTERS

The MCC series cable cutters are precision cable cutters incorporating high leverage shear-type design capable of cutting up to 1000 kcmil copper and aluminum cables. Rugged steel blades and fiberglass construction provide cutting ease, long life and minimum cable distortion. MCC20 has non-slip grip covered forged steel handles.

The MCC series cable cutters are warranted to be free from defects in material (excluding blades) and workmanship for one year.



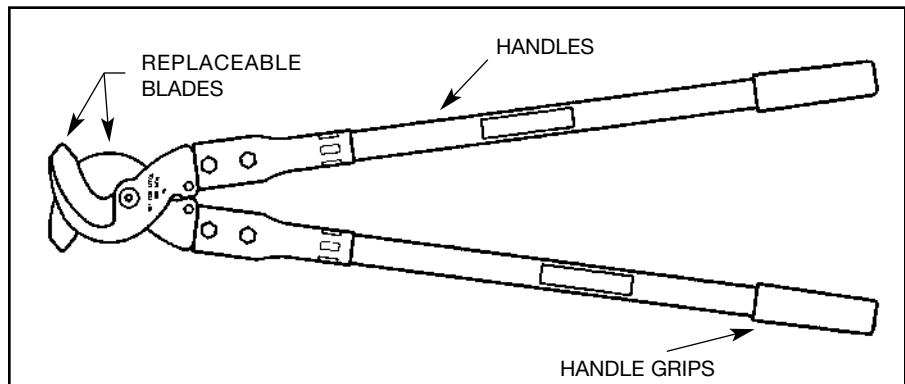
FEATURES

- High quality design and construction.
- Rugged high quality steel blades.
- Fiberglass handles with soft grips.
- MCC20 has forged steel handles with non-slip grips.

BENEFITS

- Easy cutting with minimal cable distortion.
- Excellent cutting edge performance.
- Provides comfortable tool operation and long life.

Catalog Number	Overall Length	Max. Capacity		Max. Insulation Diameter	Weight
		Copper	Aluminum		
MCC500	21" [533 mm]	500 kcmil	500 kcmil	1.25" [32 mm]	3.5 lbs. (1.5 kg)
MCC1000	32" [813 mm]	1000 kcmil	1000 kcmil	1.90" [48 mm]	9.0 lbs. (4.0 kg)



N-56

Replacement Blades

Catalog Number	Description
MCC500BLADESET	Replacement blades for MCC500
MCC1000BLADESET	Replacement blades for MCC1000

Blue highlighted items are industry standard and most frequently ordered.

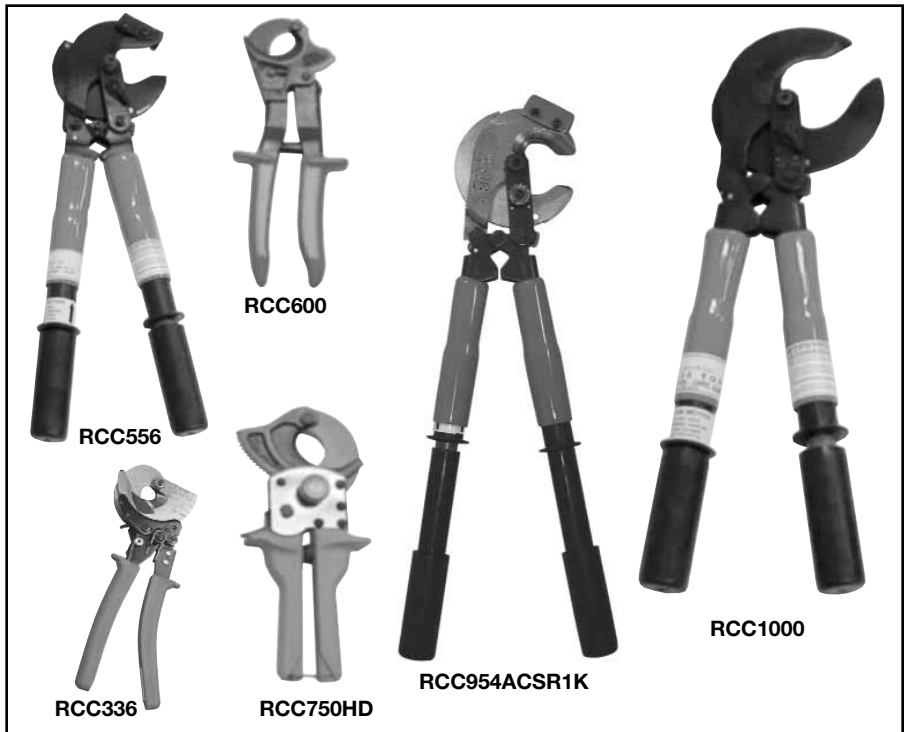
**RCC336, RCC556,
RCC600, RCC750HD,
RCC954ACSR,
RCC1000**

RATCHET CABLE CUTTERS

The RCC series cable cutters are precision high quality tools designed to cut up to 954 ACSR and 1000 kcmil copper and aluminum. The tools are equipped with rugged steel blades, and a precision bi-directional ratchet mechanism for positive blade control, including where applicable, a fast action thumb slide collar for rapid blade advance and rugged fiberglass or non-slip grip handles. RCC600 and RCC750HD have cushion grip covered steel handles.

The RCC series cable cutters are warranted to be free from defects in material (excluding blades) and workmanship for one year.

For replacement blades, consult factory for details.

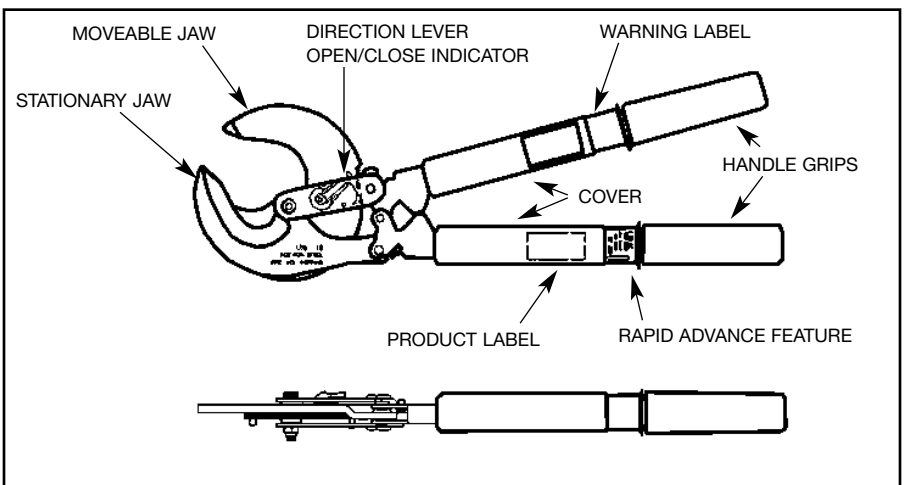


FEATURES

- Patented high strength steel blades.
- Quick release, bi-directional ratchet mechanism.
- Rapid blade advance.

BENEFITS

- Easy cutting with minimal cable distortion.
- Excellent cutting edge performance.
- Provides comfortable tool operation and long life.



Catalog Number	Overall Length	Maximum Capacity			Maximum Insulation Diameter	Weight
		Copper	Aluminum	ACSR		
RCC336	10.5" [267 mm]	350 kcmil [177 mm]	500 kcmil [253 mm]	336 kcmil [18.31 mm]	0.74" [18.8 mm]	1.2 Lbs. (0.5 kg)
RCC556	20" [508 mm]	500 kcmil [26.70 mm]	500 kcmil [26.70 mm]	556 kcmil [23.55 mm]	1.25" [31.75 mm]	4.5 Lbs. (2.0 kg)
RCC600	10" [254 mm]	600 kcmil [26.70 mm]	600 kcmil [26.70 mm]	—	1.25" [31.75 mm]	1.27 Lbs. (.57 kg)
RCC750HD	10.5" [267 mm]	750 kcmil [29.36 mm]	750 kcmil [29.36 mm]	—	1.62" [41.15 mm]	2.43 Lbs. (1.1 kg)
RCC954ACSR1K	22.75" [578 mm]	1000 kcmil [33.27 mm]	1000 kcmil [33.27 mm]	954 kcmil [30.38 mm]	1.38" [35.05 mm]	6.5 Lbs. (2.95 kg)
RCC1000	20" [508 mm]	1000 kcmil [33.27 mm]	1000 kcmil [33.27 mm]	—	2.375" [60.32 mm]	4.5 Lbs. (2.0 kg)

Blue highlighted items are industry standard and most frequently ordered.

YCUT129ACSR

HYDRAULIC HAND OPERATED CUTTER

The BURNDY® YCUT129ACSR incorporates a specialized latch style cutting head that allows interference-free closure for mid-span cuts. The cutter head rotates 180 degrees to allow users to get into tight areas easier. The YCUT129ACSR weighs only 11.4 pounds, yet delivers 7 tons of cutting force. The YCUT129ACSR with its hardened steel blades is capable of cutting up to 1.29" diameter bare or insulated copper and aluminum cable, 1113 ACSR, 5/8" ground rod, 1/2" rebar and 5/8" diameter soft steel bolts 1/2" standard guy strand and up to 3/8" EHS guy strand.

The YCUT129ACSR comes equipped with a high impact formed carrying case to hold the tool and accessories. The BURNDY® YCUT129ACSR is provided with a 5-year limited warranty (excluding blades).



SPECIFICATIONS

- Force Developed:** 7 U.S. short tons
- Tool Weight:** 11.4 lbs. (5.1 kg)
- Length:** 22.4" (56.9 cm)
- Width:** 2.5" (6.4 cm)
- Height:** 6.6" (16.8 cm)

FOR USE ON

- Copper Cable: up to 1.29"
- Aluminum Cable: up to 1.29"
- ACSR: up to 1113 ACSR
- Ground Rod: up to 5/8"
- Rebar: up to 1/2"
- Soft Steel Bolts: up to 5/8"
- Standard Guy Strand: up to 1/2"
- EHS Guy Strand: up to 3/8"

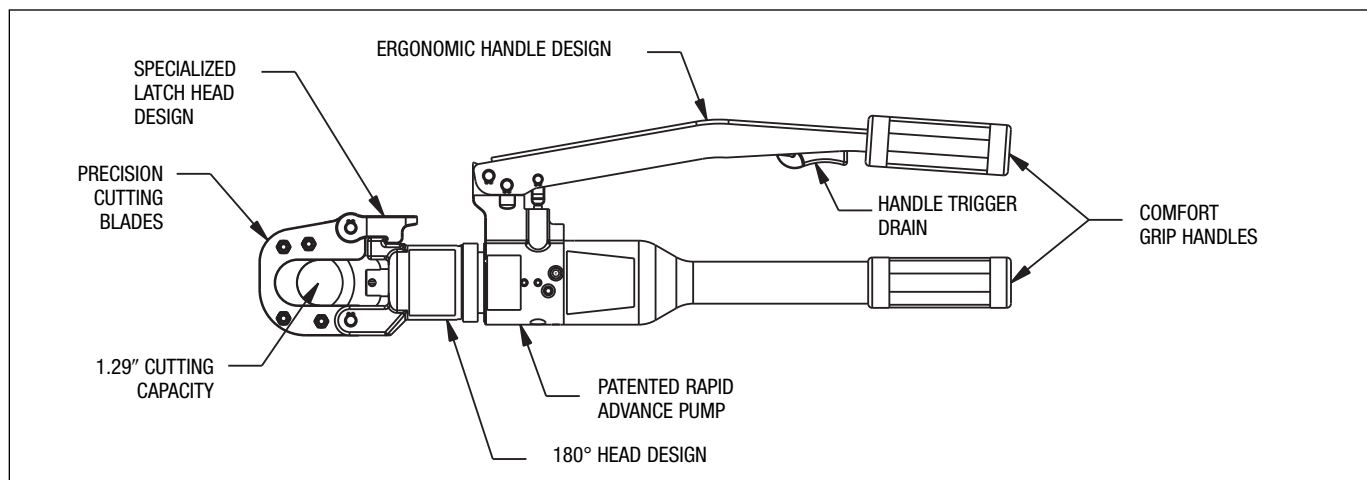
ACCESSORIES

- **Carrying Case:** Cat# PT10024162
- **Replacement Blades:**
 - Cat# PT10037388 (Moving Blade)
 - Cat# PT10037384 (Fixed Blade)

Features and Benefits

- Patented rapid advance pump.
 - ◊ Faster cuts with less hand strokes.
- Specialized latch head design.
 - ◊ Interference free closure on mid-span cuts.
- Handle trigger drain
 - ◊ For convenient blade retraction.
- Hardened steel blades.
 - ◊ Ability to cut ACSR, ground rods, rebar and guy wire.
- Comfort grip handles.
 - ◊ Help ease fatigue with continuous use.
- 180-degree head rotation.
 - ◊ Versatile head positioning to get into tight areas easier.
- Durable high impact formed carrying case.
 - ◊ Provides tool protection and stores accessories.
- 5-year limited warranty on tool (excluding blades).
 - ◊ Customer satisfaction and support.

N-58



Blue highlighted items are industry standard and most frequently ordered.

**PATRIOT®
PATHCC10-18V SERIES**

BATTERY ACTUATED TOOL

Hydraulic Self-Contained Cutter

The BURNDY® PATHCC10-18V series C-head cutter is an innovative compact and mobile cutting tool that allows users to interchange different cutting blades customized for their application. With a “C”-shaped style head and large opening, it’s easy to scoop and cut without the need to open or close a latch. The tool head swivels 355° and comes with a retractable assist handle to help maneuver the cutting head into position. The PATHCC10-18V blade alignment technology ensures a clean cut and maximum blade life.

The PATHCC10-18V series tool accommodates four different interchangeable blade types: HCCACSR, HCCSOL, HCCCUAL, and HCCGUY. The PATHCC10-18V series tool comes in a variety of options to include a covered head version (PATHCC10C-18V), and the ability to order the tool with specific blades only. See the table for individual catalog numbers.

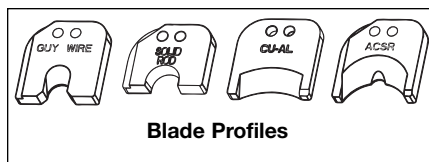
The PATHCC10-18V series cutters operate on 18-volt Ni-MH batteries. Each tool comes equipped with an impact resistant formed carrying case along with a tool retention lanyard, battery charger and two batteries. The carrying case also has pre-formed pockets to house all four blade types. The PATHCC10-18V series tools are provided with a 5-year limited warranty (excluding blades) and a lifetime power-train warranty on the INFINITY DRIVE®. The batteries and charger are provided with a 1-year limited warranty.



Tool Catalog Number	Blade Provided
PATHCC10-18V	HCCACSR, HCCGUY, HCCSOL, HCCCUAL
PATHCC10ACSR-18V	HCCACSR
PATHCC10GUY-18V	HCCGUY
PATHCC10SOL-18V	HCCSOL
PATHCC10CUAL-18V	HCCCUAL
PATHCC10*	None

* The PATHCC10 is an economical solution for those customers already set up with batteries and chargers. The PATHCC10 is strictly the tool and carrying case; it does not include blades, batteries or a charger. Order blades separately.

Each BURNDY® HCC blade kit is designed specifically for the material it is intended to cut. Each blade is made from high strength tool steel and then hardened to ensure a long life. Each blade kit comes complete with screws and wrench for installation. The HCCGUY and HCCSOL blade kits are also provided with a blade holder. This holder provides additional support when cutting. The blade table points out the materials each blade is designed to cut.



Blade Profiles

SPECIFICATIONS

- Tool Weight:** 20.4 lbs
- Length:** 21.4"
- Width:** 3.7"
- Height:** 12.8"
- Operating Voltage:** 18V
- Recharge Time:** < 45 minutes

FOR USE ON

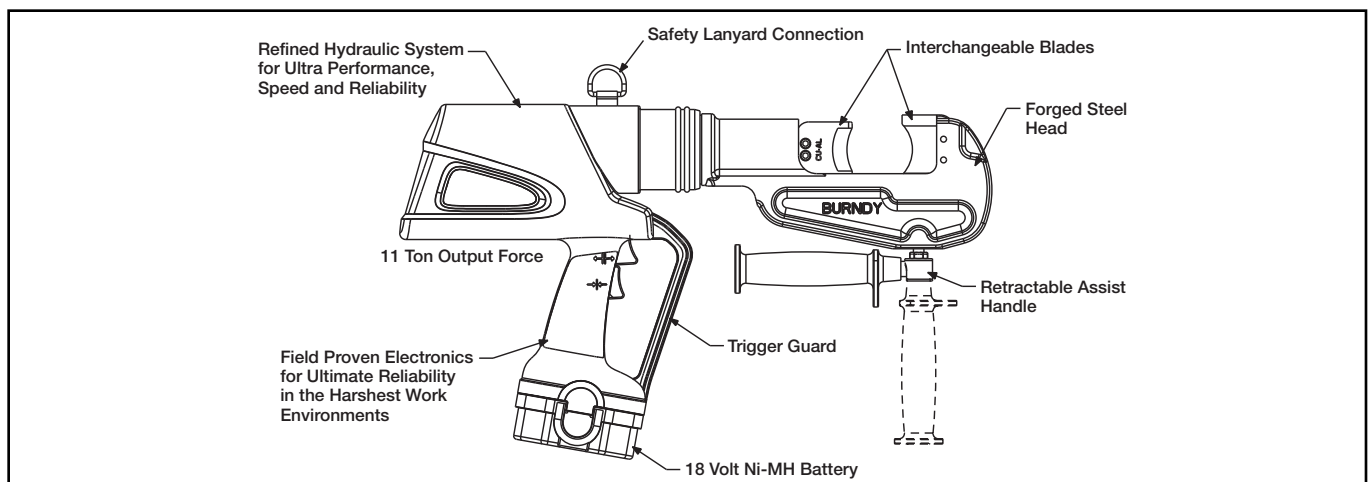
- Reference Blade Table*
- ACSR: up to 1590 (Falcon)
 - EHS guy strand: up to 9/16"
 - Standard guy strand: up to 9/16"
 - Ground Rod: up to 3/4"
 - Rebar: up to 5/8"
 - Soft steel bolts: up to 5/8"
 - Copper: up to 1.50"
 - Aluminum: up to 1.50"

ACCESSORIES

- Battery:** Cat# **BAT18V**
Hi-capacity 18V (2.6AH)
- Chargers:**
120V-AC Cat# **PATCHGR18V**
12/24V-DC Cat# **BCT/PATDCCHGR**
240/250V-AC Cat# **PATCHGR250V**

Blade Table		
Catalog Number	Cutting Material	Max. O.D.
HCCACSR	ACSR	1590 kcmil
HCCCUAL	Cu & Al	1.5" (38 mm)
	Ground Rod	3/4" (19 mm)
HCCSOL	Rebar	5/8" (16 mm)
	Soft Steel Bolts	5/8" (16 mm)
HCCGUY	Std. Guy Wire	9/16" (14 mm)
	EHS Guy Wire	9/16" (14 mm)

The HCCSOL and HCCGUY blade kits include a blade holder for the stationary blade. To order replacement blades without the blade holder order catalog number HCC-SOLRPLBLDS or HCCGUYRPLBLDS.



Blue highlighted items are industry standard and most frequently ordered.

PATRIOT® PATCUT129ACSR-18V

BATTERY ACTUATED TOOL

Hydraulic Self-Contained Cutter

The BURNDY® PATCUT129ACSR-18V battery powered cutting tool is compact, fast, easy to use and incorporates the latest in battery tool technology. The ergonomic design allows one hand operation so that the other is free to manipulate the conductor in the proper cutting position. The PATCUT129ACSR-18V incorporates a specialized latch style cutting head that allows interference-free closure for mid-span cuts. The cutter head rotates 180 degrees to allow users to get into tight areas easier. The PATCUT129ACSR-18V is capable of cutting up to 1.29" diameter copper and aluminum cable, 1113 ACSR, 5/8" ground rod, 1/2" rebar, 5/8" diameter soft steel bolts, up to 1/2" standard guy strand, and up to 3/8" EHS guy strand.

The PATCUT129ACSR-18V operates on industry standard 18-volt Ni/MH batteries that eliminate voltage depression or "memory" issues. The PATCUT129ACSR-18V comes equipped with a high impact formed carrying case to hold the tool, a tool retention lanyard, a battery charger and two batteries. The PATCUT129ACSR-18V is provided with a 5-year limited warranty (excluding blades), and 1-year on batteries and charger.



Features and Benefits

- Battery powered cutting technology.
 - ◇ Easy tool operation and portability.
- Advance design high-speed pump completes tough cuts faster.
 - ◇ Longer life, efficiency, and reliability.
- Specialized latch head design.
 - ◇ Interference free closure for mid-span cuts.
- Ergonomic design allows one hand operation.
 - ◇ User has one hand free to manipulate material to be cut.
- 180 degree head rotation.
 - ◇ Versatile head positioning allows user to get into tight areas easier.
- Mechanical ram release.
 - ◇ Reliable ram release (no battery power consumption).
- Operates on 18 volt Ni-MH batteries.
 - ◇ Eliminates voltage depression or "memory" issues.
- Durable high impact formed carrying case.
 - ◇ Provides tool protection and stores all accessories.
- 5-year limited warranty on tool (excluding blades) and 1 year on batteries and charger.
 - ◇ Customer satisfaction and support.

SPECIFICATIONS

- Tool Weight: 11 lbs.
- Length: 14.5"
- Width: 3.5"
- Height: 13.5"
- Operating Voltage: 18 V-DC
- Recharge Time: < 45 mins.

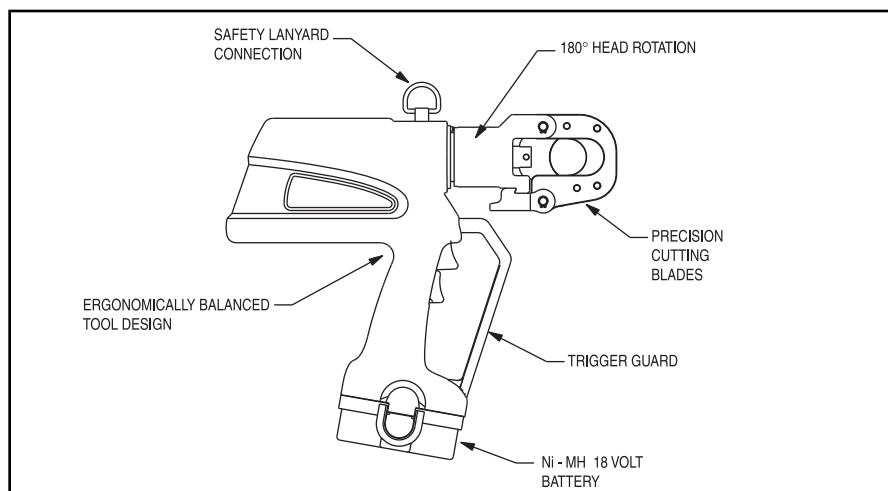
FOR USE ON

- Copper Cable: up to 1.29"
- Aluminum Cable: up to 1.29"
- ACSR: up to 1113 ACSR
- Ground Rod: up to 5/8"
- Rebar: up to 1/2"
- Soft Steel Bolts: up to 5/8"
- Standard Guy Strand: up to 1/2"
- EHS Guy Strand: up to 3/8"

ACCESSORIES

- Lanyard: Cat# PT208620
- Battery: Hi-capacity (2.6 AH) Cat# BAT18V
- Charger: 120V-AC Cat# PATCHGR18V
12/24V-DC Cat# BCT/PATDCCHGR
240/250V-AC Cat# PATCHGR250V
- Replacement Blades: Cat# PT10037388 (Moving Blade)
Cat# PT10037384 (Fixed Blade)

N-60



Blue highlighted items are industry standard and most frequently ordered.

**PATRIOT®
PATCUT245CUAL-18V**

BATTERY ACTUATED TOOL

Hydraulic Self Contained Cutter

The BURNDY® PATCUT245CUAL-18V battery powered cutting tool is compact, fast, easy to use and incorporates the latest in battery tool technology. The ergonomic design allows one hand operation so that the other is free to manipulate the conductor in the proper cutting position. The PATCUT245CUAL-18V incorporates a specialized latch style cutting head that allows interference-free closure for mid-span cuts. The cutter head rotates 180 degrees to allow users to get into tight areas easier. The PATCUT245CUAL-18V is capable of cutting up to 2.45" diameter copper and aluminum cable.

The PATCUT245CUAL-18V operates on industry standard 18-volt Ni/MH batteries that eliminate voltage depression or "memory" issues. The PATCUT245CUAL-18V comes equipped with a high impact formed carrying case to hold the tool, a tool retention lanyard, a battery charger and two batteries. The PATCUT245CUAL-18V is provided with a 5-year limited warranty (excluding blades), and 1-year on batteries and charger.



Features and Benefits

- Battery powered cutting technology.
 - ◊ Easy tool operation and portability.
- Advance design high-speed pump completes tough cuts faster.
 - ◊ Longer life, efficiency, and reliability.
- Specialized latch head design.
 - ◊ Interference free closure for mid-span cuts.
- Ergonomic design allows one hand operation.
 - ◊ User has one hand free to manipulate material to be cut.
- 180-degree head rotation.
 - ◊ Versatile head positioning allows user to get into tight areas easier.
- Mechanical ram release.
 - ◊ Reliable ram release (no battery power consumption).
- Operates on 18-volt Ni/MH batteries.
 - ◊ Eliminates voltage depression or "memory" issues.
- Durable high impact formed carrying case.
 - ◊ Provides tool protection and stores all accessories.
- 5-year limited warranty on tool (excluding blades) and 1-year on batteries and charger.
 - ◊ Customer satisfaction and support.

SPECIFICATIONS

- Tool Weight:** 14.5 lbs. (5.4 kg)
With Battery
- Length:** 18" (45.7 cm)
- Width:** 3.75" (9.5 cm)
- Height:** 14.75" (37.5 cm)
- Operating Voltage:** 18 V-DC
- Recharge Time:** < 45 mins.

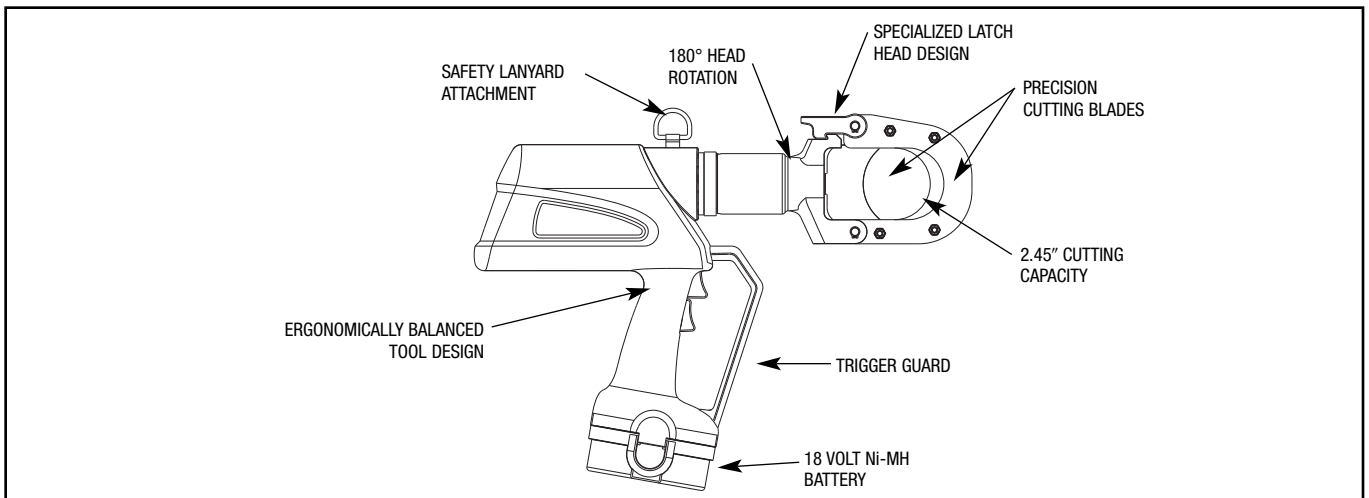
FOR USE ON

- Copper and Aluminum Cable: Up to 2.45" O.D. (62.2 mm)

For Copper and Aluminum cable only. Do not cut steel, ground rod, rebar, or guy wire.

ACCESSORIES

- **Carrying Case:** Cat# **PT10044980**
- **Lanyard:** Cat# **PT208620**
- **Battery:** Hi-capacity (2.6 AH) Cat# **BAT18V**
- **Charger:** 120V-AC Cat# **PATCHGR18V**
12/24V-DC Cat# **BCT/PATDCCHGR**
240/250V-AC Cat# **PATCHGR250V**
- **Replacement Blades:** Cat# **PT10038657** (Moving Blade)
Cat# **PT10040663** (Fixed Blade)



Blue highlighted items are industry standard and most frequently ordered.

BCC1000QUAL

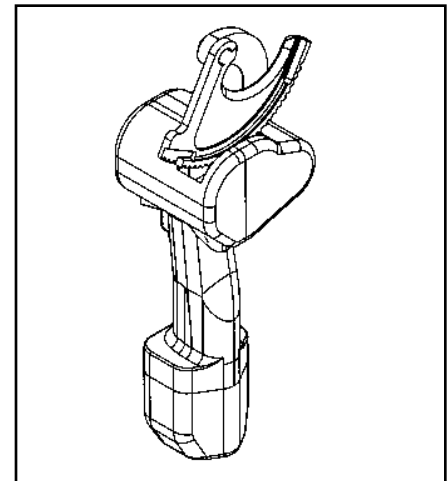
BATTERY ACTUATED CABLE CUTTER

The BURNDY® BCC1000QUAL is a 12-V-DC battery actuated cable cutter capable of cutting up to 750 kcmil hard drawn copper cable, and up to 1000 kcmil soft drawn copper and up to 2" O.D. aluminum cable. DO NOT CUT STEEL or ACSR. The BCC1000QUAL comes with battery powered cutting tool, sealed nickel cadmium 12V battery, 120V AC charger, carrying case, and wrist loop which provides added security when making cuts overhead.

The BURNDY® BCC1000QUAL is designed to cut copper and aluminum cables in a limited amount of space. The BCC1000QUAL makes fast reliable cuts without stress to the user. Just squeeze the trigger and it will cut through your toughest copper and aluminum cables. The BCC1000QUAL has a three-way switch (forward, reverse, and neutral) which allows the user to make partial cuts, back off cables, or make adjustments during cutting.

The battery charge time is approximately 1 hour for a fast charge (80%), 4 to 6 hours for a quick charge, and 14 to 16 hours for a standard charge (100%). The 12V battery can be recharged approximately 1,000 times.

The BCC1000QUAL (excluding cutting blades) is warranted to be free of defects in material and workmanship for a period of 90 days, except in the case of abuse or modification.



FEATURES

- Hook head design.
- Three way switch.
- Hardened steel blades.
- Ergonomic design.
- Wrist loop.

BENEFITS

- Simplifies conductor cutting and allows working in tight spaces.
- Allows backing off cable, partial cuts, and adjusting during cutting.
- Helps ensure consistent cuts and longer blade life.
- Prevents hand/wrist injury.
- Withstands rugged use. Resists oil and solvents.
- Added security when cutting cables overhead.

ACCESSORIES

Catalog Number	Item Description
BCCBAT12V	BCC1000QUAL Battery
BCCCHGR	BCC1000QUAL Charger
BCCCASE	BCC1000QUAL Carrying Case
RP50RP03	BCC1000QUAL Moving Blade
RP50RP02	BCC1000QUAL Fixed Blade

SPECIFICATIONS

Cutting Tool

Specifications	Description
Drive Unit:	12.0V DC Motor
Dimensions:	4"L × 4.5"W × 14.5" H
Weight:	6 lbs.
Cutting Capacity:	1000 kcmil soft drawn copper, 750 kcmil hard drawn copper and up to 2" O.D. aluminum

Battery

Specifications	Description
Battery Type:	Sealed nickel cadmium
Voltage:	12.0V DC
Rated Capacity:	1.2A/hr
Charge Time:	Fast, approx. 1 hour Quick, 4-6 hours Standard, 14-16 hours
Dimensions:	2.75"L × 2.7"W × 4.75"H
Weight:	1.4 lb.

Battery Charger

Specifications	Description
Input Voltage:	120V AC
Input Frequency:	60 Hz
Input Current:	110/120V
Dimensions:	5.7"L × 3"W × 2.8"H
Weight:	2.2 lbs.

FOR USE ON

Maximum conductors accommodated:
 750 kcmil hard drawn copper
 1000 kcmil soft drawn copper
 1000 kcmil aluminum

RHCC129ACSR

10,000 PSI Remote Cable Cutter

Remote Power Operated Hydraulic Cable Cutter

The BURNDY® RHCC129ACSR remote hydraulic cable cutter incorporates a specialized latch style cutting head that allows interference-free closure for mid-span cuts. The RHCC129ACSR with its precision cutting blades is capable of cutting up to 1.29" diameter bare or insulated copper and aluminum cable, 1113 ACSR, 5/8" ground rod, 1/2" rebar, 5/8" diameter soft steel bolts, 1/2" standard guy strand, and up to 3/8" EHS guy strand.

The RHCC129ACSR is provided with a 5-year limited warranty (excluding blades).



Features and Benefits

- Specialized latch head design.
 - ◇ Interference free closure for mid-span cuts.
- Precision cutting blades.
 - ◇ For clean cuts on Cu/Al, ACSR, ground rods, rebar, guy strand, and soft steel bolts.
- High strength steel cylinder.
 - ◇ For durability and long life.
- Lightweight ergonomic design allows one hand operation.
 - ◇ User has one hand free to manipulate material to be cut.
- Durable canvas carrying bag.
 - ◇ Provides tool protection and stores all accessories.
- 5-year limited warranty on tool (excluding blades).
 - ◇ Customer satisfaction and support.

SPECIFICATIONS

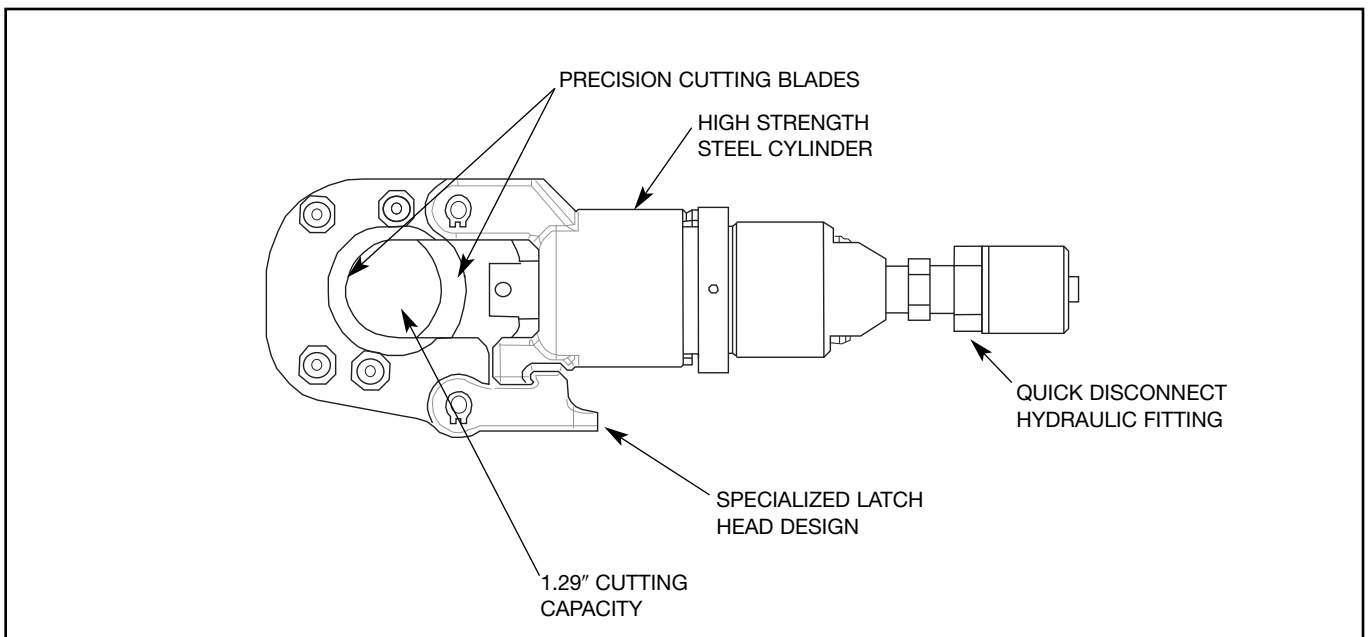
- Operating Pressure:** 10,000 psi (700 bar)
- Tool Weight:** 5.85 lbs. (2.65 kg)
- Length:** 11.25" (286 mm)
- Width:** 3.7" (94 mm)

FOR USE ON

- Copper Cable: up to 1.29"
- Aluminum Cable: up to 1.29"
- ACSR: up to 1113 ACSR
- Ground Rod: up to 5/8"
- Rebar: up to 1/2"
- Soft Steel Bolts: up to 5/8"
- Standard Guy Strand: up to 1/2"
- EHS Guy Strand: up to 3/8"

ACCESSORIES

- Canvas Bag:** Cat# **PT10043890**
- Replacement Blades:** Cat# **PT10037388** (Moving Blade)
Cat# **PT10037384** (Fixed Blade)
- Hot Stick Adapter:** Cat# **RHCCHSA**



Blue highlighted items are industry standard and most frequently ordered.

RHCC245CUAL

10,000 PSI Remote Cable Cutter

Remote Power Operated Hydraulic Cable Cutter

The BURNDY® RHCC245CUAL remote hydraulic cable cutter incorporates a specialized latch style cutting head that allows interference-free closure for mid-span cuts. The RHCC245CUAL with its precision cutting blades is capable of cutting up to 2.45" diameter copper and aluminum cable.

The RHCC245CUAL is provided with a 5-year limited warranty (excluding blades).



Features and Benefits

- Specialized latch head design.
 - ◊ Interference free closure for mid-span cuts.
- Precision cutting blades.
 - ◊ For clean cuts on copper and aluminum cable.
- High strength steel body.
 - ◊ For durability and long life
- Lightweight ergonomic design allows one hand operation.
 - ◊ User has one hand free to manipulate material to be cut.
- Durable canvas carrying bag.
 - ◊ Provides tool protection and stores all accessories.
- 5-year limited warranty on tool (excluding blades).
 - ◊ Customer satisfaction and support.

SPECIFICATIONS

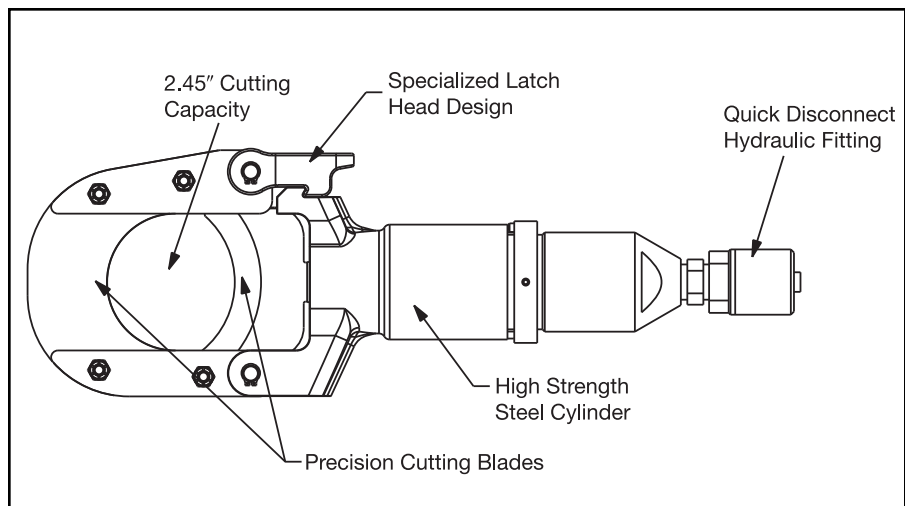
Operating Pressure: 10,000 psi (700 bar)
Tool Weight: 8.3 lbs. (3.8 kg)
Length: 14.8" (376 mm)
Width: 4.75" (121 mm)

FOR USE ON

Copper & Aluminum 2.45" O.D. (62 mm)

ACCESSORIES

Canvas Bag: Cat# **PT10054094**
Replacement Blades: Cat# **PT10038657** (Moving Blade)
 Cat# **PT10040663** (Fixed Blade)



HP10, HP8, AND HP6

HP Series Manual Hydraulic Hand Pumps

Hydraulic Output Pressures of 10,000 PSI, 8,800 PSI, and 6,000 PSI

Hand pumps are designed to match the output pressure requirements of HYPRESS™ heads and cutters. Each pump is equipped with a built-in, factory set pressure release valve with audible click to signal completion of crimp cycle.



BENEFITS

- Durable, long life expectancy.
- Easy to transport and move tool around job site with built in handle.
- Maximum mechanical advantage provided with long handle.
- Solid tool base provided with sturdy broad leg stabilizers.
- Save time with quick disconnect hydraulic fitting.
- High quality crimps provided with built-in, factory set pressure release valve and audible click to signal completion of crimp.
- 5-year limited warranty.

SPECIFICATIONS

Reservoir volume: 1-1/8 qts.
Length: 24-3/4"
Width: 5"
Weight: 18 lbs.
Closed height: 6-3/4"
Height (with handle open): 20"

FOR USE ON

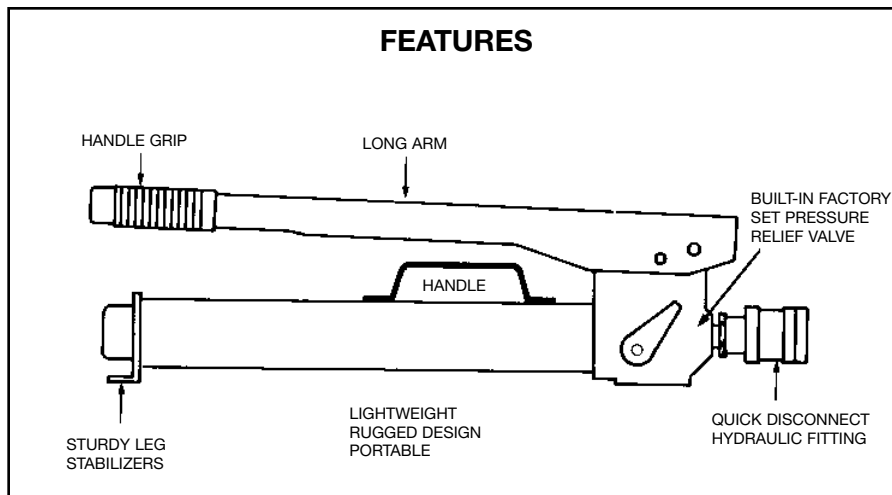
HP10 10,000 Y34BH, Y35BH, Y35BH-4, Y750BH, Y750BH-2, Y39BH, Y45, Y46C, Y46, Y60BHU, RHCC Series Cutters

HP8 8,800 Y48BH

HP6 6,000 Y35-L

ACCESSORIES

Extended leg pad stabilizes (w/hardware)
 Cat # **BP10PADKIT**



Blue highlighted items are industry standard and most frequently ordered.

FP10, FP8, AND FP6

FP Series Manual Hydraulic Foot Pumps

Hydraulic Output Pressures of 10,000 PSI, 8,800 PSI, and 6,000 PSI

Foot pumps are designed to match the output pressure requirements for use with all HYPRESS™ heads and cutters. Each pump is equipped with a built-in, factory set pressure release valve with audible click to signal completion of a crimp cycle.



BENEFITS

- Easy to lift and carry.
- Durable. Long life expectancy.
- Easy to transport and move tool around job site with built in handle.
- Easy operation provided with spring assisted return arm.
- Maximum mechanical advantage provided with long arm extending beyond pump body.
- Quality, heavy duty foot pad provided with diamond plate steel.
- Solid tool base provided with sturdy broad leg stabilizers.
- Time saving quick disconnect hydraulic fitting.
- High quality crimps provided with factory set pressure release valve with audible click to signal completion of crimp.
- 5-year limited warranty.

SPECIFICATIONS

Reservoir volume: 1-1/8 qts.

Length: 24-3/4"

Width: 5"

Weight: 19 lbs.

Closed height: 6-1/2"

Height (with handle open): 17"

FOR USE ON

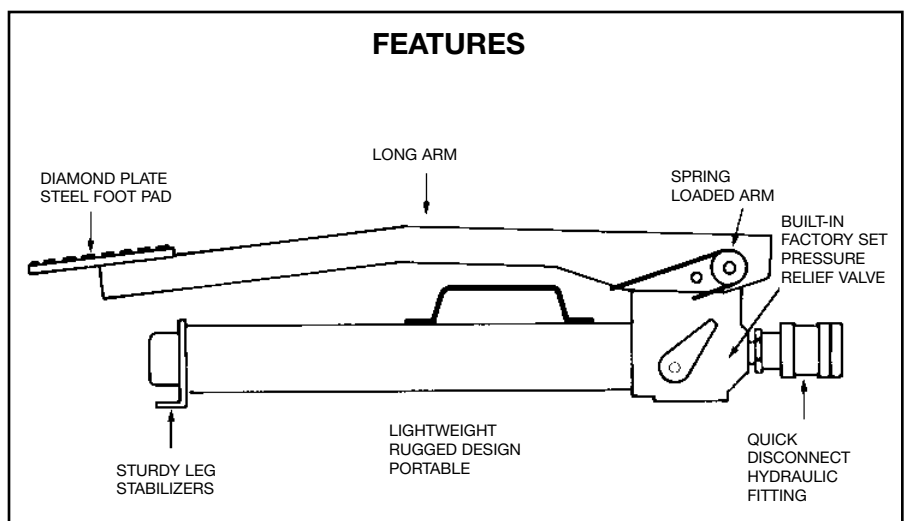
FP-10 10,000 Y34BH, Y35BH, Y35BH-4, Y750BH, Y750BH-2, Y39BH, Y45, Y46C, Y46, Y60BHU, Y750BH, RHCC Series Cutters

FP-8 8,800 Y48BH

FP-6 6,000 Y35-L

ACCESSORIES

Extended leg pad stabilizes (w/hardware)
Cat # **BP10PADKIT**



Blue highlighted items are industry standard and most frequently ordered.

Y10AC9

Electric Hydraulic Pump

Hydraulic Output Pressure of 10,000 PSI

The Y10AC9 electric hydraulic pump is for use with all HYPRESS™ heads and cutters requiring 10,000 PSI operating pressure. The Y10AC9 is equipped with a built-in, factory set pressure relief valve. An audible “pop” and recycling of the pump as well as relaxing of the hose signal completion of the crimping/cutting cycle. Pump is supplied with a durable hand-held electric pendant switch.

Features and Benefits

- Lightweight, small size.
 - ◊ Easy to lift, carry and transport tool around job site with lightweight body and handle.
- Factory set relief valve.
 - ◊ High quality crimps are achieved with built-in, factory set pressure relief valve and audible recycling of pump to signal completion of crimp cycle.
- 100,000 (+) life cycles.
 - ◊ Long durable life expectancy with lightweight cast aluminum reservoir body.
- Convenient 115V AC electric powered motor.
- Saves time with quick disconnect hydraulic fitting.
- Sealed electric pendant switch.
 - ◊ Easy operation with durable remote pendant switch with 10-foot cord.
- 5-year limited warranty.



Specifications

- Motor:** 115V AC 50/60 Hz
5/8 HP, 10,000 rpm
11 amp current draw
- Reservoir Volume:** 1.61 quarts
- Height:** 14.38"
- Base:** 6.5" × 8.25"
- Weight:** 28 lbs. (with oil)

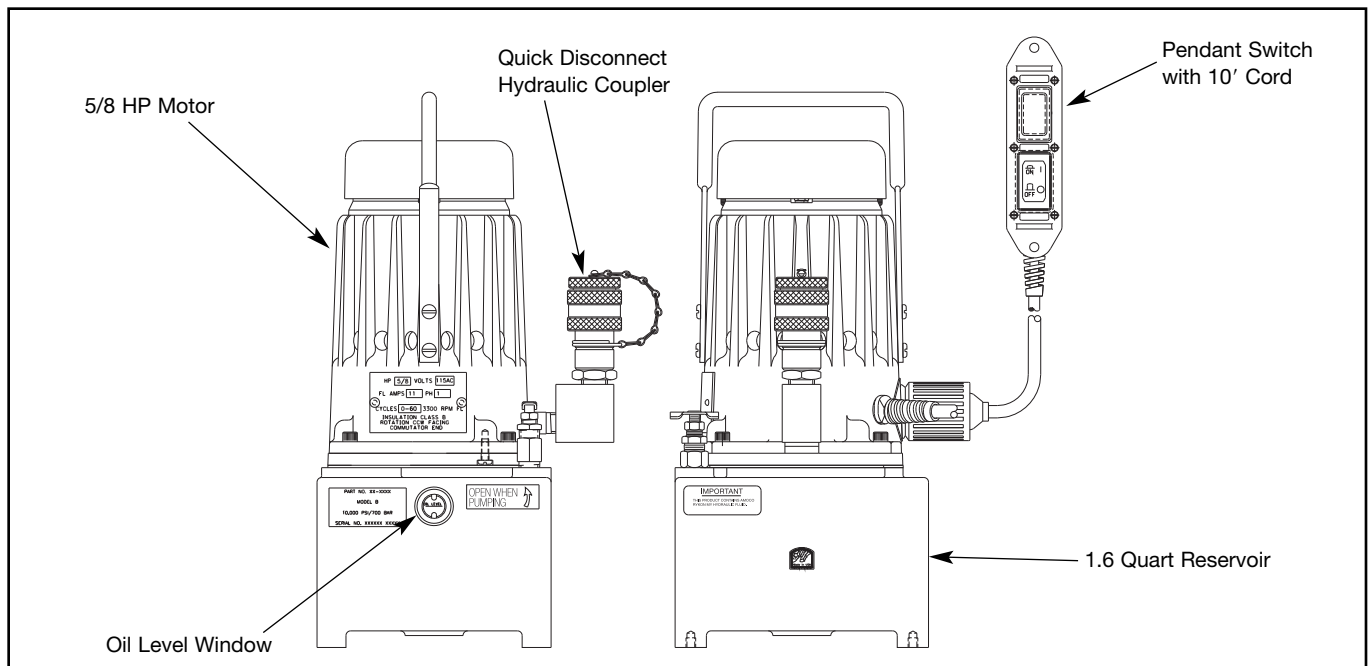
FOR USE ON

- Y34BH, Y35BH, Y35BH4, Y39BH, Y45, Y46, Y46C, Y750BHXT, Y750CBHXT, Y644MBH, Y4PC834MBH, Y81KFTMBH, Y60BHU, RHCC129ACSR, RHCC245CUAL

ACCESSORIES

- Catalog Number:** YAC-CASE
Steel carrying case with handle and locking latch.

The BURNDY® **Y10AC9OEM** is an additional electric hydraulic pump offering that comes equipped with a foot switch and “jog-and-hold” feature. Keep both hands on the connection with the Y10AC9OEM pump kit. For further details please contact customer service.



Blue highlighted items are industry standard and most frequently ordered.

EPP10 AND EPP6

EPP Series Electric/Hydraulic Pump

Hydraulic Output Pressures of 10,000 PSI and 6,000 PSI

The lightweight and durable EPP10 electric/hydraulic pump is for use with all BURNDY® HYPRESS™ remote heads and cutters requiring 10,000 PSI operating pressure. Both the EPP10 and the EPP6 are equipped with a built-in, factory set pressure relief valve. An audible “pop” and recycling of the pump and relaxing of the hose, signals completion of the crimping/cutting cycle. Both pumps are supplied with a durable hand-held electric pendant switch, for remote operation of the unit, and have a manual selection switch mounted for operation of the unit at the pump. The operator can select which method is best suited for the application.

An optional carry/shipping case can be ordered. All EPP Series pumps have been life cycle tested to over 100,000 cycles without failure, and are warranted to be free of defects in materials and workmanship for five (5) years when properly maintained and operated.



FEATURES

- Lightweight.
- Small size.
- Factory set relief valve.
- 100,000 (+) life cycles.
- Sealed electric pendant switch.

BENEFITS

- High quality crimps are achieved with built in, factory set pressure release valve and audible recycling of pump to signal completion of crimp cycle.
- Easy to lift, carry and transport tool around job site with lightweight body and handle.
- Convenient 115 V-AC electric powered motor.
- Durable remote pendent switch.
- Easy operation controlled with pendent switch, or manual switch.
- Saves time with quick disconnect hydraulic fitting.
- Long durable life expectancy with lightweight cast aluminum reservoir body.
- 5-year limited warranty.

SPECIFICATIONS

Motor:	115 V-AC/60 Hz 1/2 HP @ 3450 RPM
Maximum current draw:	12.5 amperes
Reservoir volume:	2 qts.
Height:	16"
Base:	6" × 8"
Weight:	30 lbs.

FOR USE ON

EPP10	10,000	Y34BH, Y35BH, Y35BH-4, Y39BH, Y45, Y46, Y46C, Y60BHU, 750BH, Y750BH-2, Y644MBH, RHCC Series Cutters
EPP6	6,000	Y35L, Y28B

ACCESSORIES

Cat. No. **EPPCASE-1**

Steel carrying case with handle and locking latch.

EPAC10, EPAC8, AND EPAC6

EPAC Series
Electric/Hydraulic Pump,
Air Control

Hydraulic Output Pressures of 10,000 PSI, 8,800 PSI, and 6,000 PSI

The EPAC10, EPAC8, and EPAC6 electrically driven hydraulic pumps feature exclusive automatic or manual “jog and hold” operation control provided by a unique air control switch, which provides the safest operation method of any pump available. All EPAC’s are remotely controlled by an improved air control switch which electrically isolates the operator from the unit, and can be operated by either hand or foot activation. A three (3) position toggle switch mounted on the control box allows the operator to select either full automatic, off, or manual operation.

The automatic mode advances the remote tool into a “hold” position without crimping the connector so the operator can inspect the orientation before completing the crimp. Once the crimp is completed, the pump automatically turns the pump off, allowing the retraction of the remote tool and resets itself for the next operation.

The manual position allows the operator to jog the tool forward without the tool ram retracting. To retract the tool prior to completing the crimp, turn the control switch to “off,” the pump will stop and the tool will retract. In the manual mode the pump advances only while the control is being depressed. To complete a crimp, squeeze and hold the air control switch until the pump reaches the pre-set pressure and shuts off.

The EPAC Series of electrically driven hydraulic pumps incorporate a heavy-duty roll cage design that is both rugged and portable. All EPAC Series pumps have been life cycle tested to over 100,000 cycles without failure, and are warranted to be free of defects in material and workmanship for five (5) years when properly maintained and operated.



FEATURES

- Roll cage
- 3 position switch and control box
- Factory set output pressure
- Quick disconnect hydraulic coupler
- Oil level window
- 8 quart reservoir

BENEFITS

- Permits final inspection of connector before completing crimp cycle.
- Extra supply hydraulic fluid 8-quart reservoir.
- Full automatic or manual “Jog and Hold” cycles.
- Operator safety with power loss “smart circuit,” freezes unit in event of power disruption.
- Method of operation desired is permitted with 3-position selection switch.
- Safety is provided against hazardous shock with airbulb actuator and air line.
- Saves time with quick disconnect hydraulic fitting.
- Windows allows easy inspection of proper oil level.
- High quality crimps are achieved with built-in factory set pressure release valve.
- 5-year limited warranty.

SPECIFICATIONS

- Motor:** 1/2 HP 115/230 V-AC, 60 Cycle
- Maximum current draw:** 10 amperes
- Reservoir volume:** 8 quarts max., 2 quarts min.
- Height:** 17-1/2”
- Base:** 11-3/4” × 18-1/2”
- Dry weight:** 68 lbs. (82 lbs. w/max. fluid) (1/2 Hp @ 3450 RPM)

FOR USE ON

- EPAC10** 10,000 Y34BH, Y35BH,
- EPAC-8** 8,800 Y48BH
- EPAC-6** 6,000 Y35L

Blue highlighted items are industry standard and most frequently ordered.

EP10, EP10-2, EP8, AND EP6

EP SERIES ELECTRIC/ HYDRAULIC PUMPS

Hydraulic Output Pressures of 10,000 PSI, 8,800 PSI, and 6,000 PSI

Electrically driven hydraulic pumps are supplied with a durable, hand-held electric pendant switch that remotely controls the pump and matches the output requirements of all HYPRESS™ remote heads and cutters. Each pump is equipped with a built-in, factory set, pressure relief valve. An audible “pop” and recycling of the pump and relaxing of the hose, signals completion of the crimping/cutting cycle.

All EP series pumps are supplied with 115/230 - 220/230 voltage, 60/50 hertz, 1/2 horsepower motor and can be wired for use with any electric power source worldwide. A three prong, grounded plug is wired standard on the units. All EP Series pumps have been life cycle tested to over 100,000 cycles without failure, and are warranted to be free of defects in materials and workmanship for five (5) years when properly maintained and operated.



SPECIFICATIONS

- Motor:** 1/2 HP 115/230 V-AC, 60 cycle
(EP**-2 versions): 1/2 HP 220/230 V-AC, 50 cycle
- Maximum current draw:** 10 amperes
- Reservoir volume:** 8 quarts max., 2 quarts min.
- Height:** 17-1/2"
- Base:** 11-3/4" × 18-1/2"
- Dry weight:** 68 lbs. (86 lbs. with max. fluid)
- (1/2 Hp @ 3450 RPM)

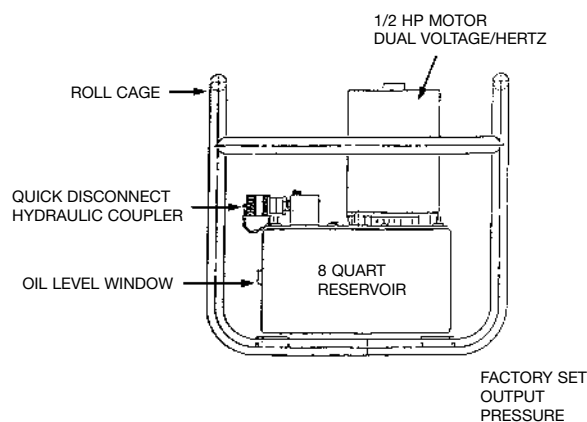
BENEFITS

- Provides fast sure pump action plus a long life expectancy.
- It's portable. Roll cage allows easy moving on the job site.
- Durable 1/2 HP dual voltage motor.
- Extra supply of hydraulic fluid with 8 quart reservoir.
- Saves time with quick-disconnect hydraulic fitting.
- Easy operator control is provided with remote pendant switch.
- Easy inspection of proper oil level is provided by see through window.
- High quality crimps are achieved with built-in, factory set, pressure release valve and audible recycling of pump which signals completion of crimp.
- 5-year limited warranty.

FOR USE ON

EP10	10,000	Y34BH, Y35BH, Y35BH-4,
EP10-2		Y39BH, Y45, Y46, Y46-C, Y60BHU, Y750BH, Y750BH-2, RHCC Series Cutters
EP8	8,800	Y48BH
EP6	6,000	Y35L

FEATURES



**EP10-1HP AND
EP10-1HP-2**

**EP-1HP SERIES ELECTRIC/
HYDRAULIC PUMPS**

Hydraulic Output Pressures
of 10,000 PSI, 8,800 PSI,
and 6,000 PSI

Heavy duty electrically driven hydraulic pumps are supplied with a durable, hand-held electric pendant switch that remotely controls the pump and matches the output requirements of all HYPRESS™ remote heads and cutters. Each pump is equipped with a built-in, factory set, pressure relief valve. An audible “pop” and recycling of the pump and relaxing of the hose, signals completion of the crimping/cutting cycle.

All EP-1HP series pumps are supplied with 115/230 - 220/230 voltage, 60/50 hertz, 1 horsepower motors and can be wired for use with any electric power source worldwide. A three prong, grounded plug is wired standard on the units. All EP-1HP Series pumps have been life cycle tested to over 100,000 cycles without failure, and are warranted to be free of defects in materials and workmanship for five (5) years when properly maintained and operated.



FEATURES

- Heavy duty design.
- Roll cage.
- Quick disconnect hydraulic coupler.
- Oil level window.
- 8 quart reservoir.
- Factory set output pressure.
- 1 HP motor dual voltage/hertz.

BENEFITS

- Provides fast sure pump action plus a long life expectancy.
- Its portable roll cage allows easy moving on the job site.
- Strong durable motor provided with (1) H.P. dual voltage design.
- Extra supply of hydraulic fluid with 8 quart reservoir.
- Saves time with quick-disconnect hydraulic fitting.
- Easy operator control is provided with remote pendant switch.
- Easy inspection of proper oil level is provided by see through window.
- High quality crimps are achieved with built-in, factory set, pressure release valve and audible recycling of pump which signals completion of crimp.
- 5-year limited warranty.

SPECIFICATIONS

- Motor:** 1 HP 115/230 V-AC, 60 cycle
- (EP**-2 versions): 1/2 HP 220/230 V-AC, 50 cycle
- Maximum current draw:** 10 amperes
- Reservoir volume:** 8 quarts max., 2 quarts min.
- Height:** 17-1/2"
- Base:** 11-3/4" × 18-1/2"
- Dry weight:** 68 lbs. (86 lbs. with max. fluid)
- (1/2 Hp @ 3450 RPM)

FOR USE ON

- EP10-1HP** 10,000 Y34BH, Y35BH,
- EP10-1HP-2** Y35BH-4, Y39BH, Y45, Y46, Y46-C, Y60BHU, Y750BH, Y750BH-2, RHCC Series Cutters

Blue highlighted items are industry standard and most frequently ordered.

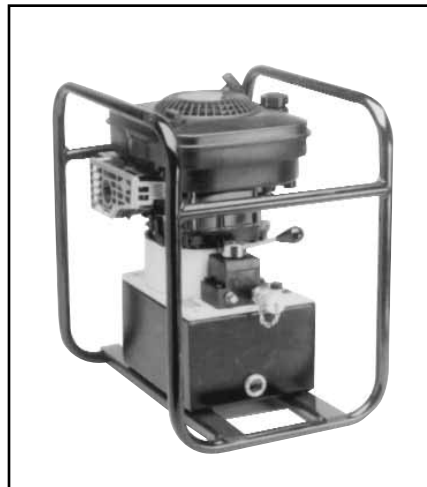
GP10

GP Series Gasoline Engine Driven Hydraulic Pump

Hydraulic Output Pressures of 10,000 PSI

The GP series gasoline engine driven hydraulic pump is a heavy-duty design that is rugged and portable. Supplied with a four (4) H.P. engine, the pump operates all BURNDY® remote compression heads and cable cutters.

All GP style pumps have a built-in, factory pre-set, automatic pressure release overload valve with a definite pulsing and recycling to signal the completion of a crimp. The manual control valve allows user to “Jog and Hold” due to the unique check valve design that keeps pressure in the output line until retracted.



Specifications

- Engine:** 4 H.P., 4 cycle
- Reservoir volume:** 2 gallons (8 qts.)
- Pump height:** 19-3/4"
- Pump width:** 13"
- Pump length:** 18"
- Overall height:** 22-1/4"
- Overall width:** 16"
- Overall length:** 21"
- Pump and motor dry weight:** 64-1/4 lbs.
- Overall dry weight:** 77-3/4 lbs.

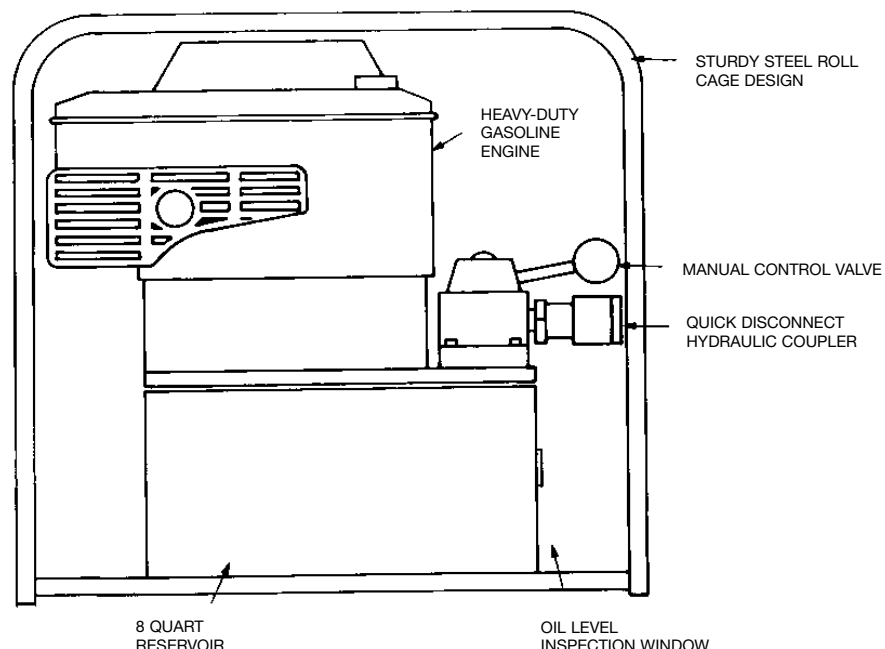
FOR USE ON

Pump	PSI	Hydraulic Tools and Cutter
GP10	10,000	Y34BH, Y35BH, Y35BH-4, Y39BH, Y45, Y46, Y46C, Y60BHU, Y60BHU-D, Y750BH, Y750BH-2, RHCC Series Cutters

BENEFITS

- Portable pump with sturdy steel roll cage.
- Durable heavy-duty four (4) H.P. engine for all HYPRESS™ applications and long life expectancy.
- Manual control valve permits easy control of crimping or cutting operations.
- Fast hose assembly with quick disconnect pressure matched hydraulic couplers.
- Ample hydraulic capacity with (8) quart reservoir.
- 5-year limited warranty.

FEATURES



N-72

Blue highlighted items are industry standard and most frequently ordered.

HYDRAULIC HOSES

NON CONDUCTIVE HOSES*



10,000 PSI

- | Cat. No. | Description |
|--------------------|---|
| PT 29900-10 | 10' - 3/16" diameter - non conductive hose with stackable couplers (male/female) - orange |
| PT 29900-15 | 15' - 3/16" diameter - non conductive hose with stackable couplers (male/female) - orange |
| PT 29900-25 | 25' - 3/16" diameter - non conductive hose with stackable couplers (male/female) - orange |
| PT 29901-10 | 10' - 1/4" diameter - non conductive hose with stackable couplers (male/female) - orange |
| PT 29901-15 | 15' - 1/4" diameter - non conductive hose with stackable couplers (male/female) - orange |
| PT 29901-25 | 25' - 1/4" diameter - non conductive hose with stackable couplers (male/female) - orange |

Note: 1/4" diameter hose provides higher flow rate for faster ram movement.

* For proper care and maintenance of hydraulic hoses, consult the "Hydraulic Hose Care" manual, Form No. 7828

NON CONDUCTIVE HOSES*

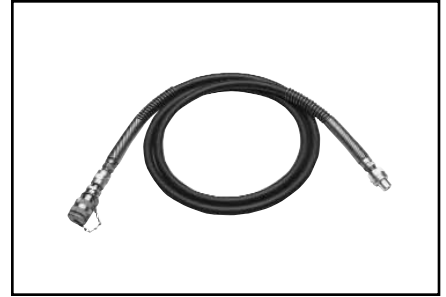


6,000 PSI

- | Cat. No. | Description |
|--------------------|--|
| PT 29902-10 | 10' - non conductive hose with stackable couplers (male/female) - orange |
| PT 29902-15 | 15' - non conductive hose with stackable couplers (male/female) - orange |
| PT 29902-25 | 25' - non conductive hose with stackable couplers (male/female) - orange |
| PT 29074-1 | Non conductive hose carrying bag |

* For proper care and maintenance of hydraulic hoses, consult the "Hydraulic Hose Care" manual, Form No. 7828

CONDUCTIVE HOSES*



10,000 PSI

- | Cat. No. | Description |
|-----------------|---|
| PT 91 | 8' - steel braided hose with steel spring reinforced ends. Stackable couplers (male/female) - Black. No electrical rating. DO NOT use on energized conductor. |

8,800 PSI

- | Cat. No. | Description |
|-----------------|---|
| PT 76 | 8' - steel braided hose with steel spring reinforced ends. Stackable couplers (male/female) - Black. No electrical rating. DO NOT use on energized conductor. |

* For proper care and maintenance of hydraulic hoses, consult the "Hydraulic Hose Care" manual, Form No. 7828.



N-73

Do not attempt to repair or recouple the hose yourself!

Blue highlighted items are industry standard and most frequently ordered.

ACCESSORIES



PT 29074-1 Insulated hose carrying bag

Designed to provide protection and cleanliness of non-conductive hoses. Accommodates 100 ft. of non-conductive coiled to 17-1/2" O.D. and 3-3/4" wide. Maximum carrying capacity: 10 lbs.



Adjustable Head Grip For joining HYPRESS™ heads to universal hot sticks

PT 29075 (for Y35L)
PT 29402-1 (for Y35BH)
PT 10128 (for Y46)



DIE CASES

PT 29291
 (Y750, Y35/Y39) die case for "U" -type die sets

PT 6545
 (Y45 and Y46) die case for "S" and "P" -type die sets



Replacement Coupler 6,000 PSI operating pressure

PT 29091 (male)
PT 29214-1 (female)



HYFLUID™

HYFLUID™ QT.
HYFLUID™ GAL.

(available in quart and gallon size containers)

Hydraulic fluid for BURNDY® HYPRESS™ hand operated tools:

Y35 and Y35-2 HYPRESS™ tools
 Y39 HYPRESS™ tool
 Y750 REVOLVER HYPRESS™ tools



ALFLUID™

ALFLUID™ QT.
ALFLUID™ GAL.

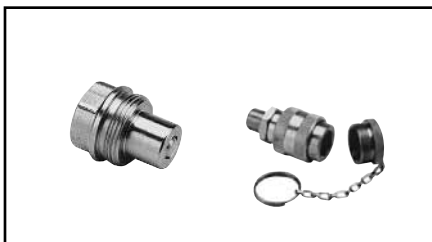
(available in quart and gallon size containers)

Use ALFLUID™ in hand operated tools during extended use below 32 degrees.

All weather HYDRAULIC fluid for BURNDY® pumps:

HP hand pump
 FP foot pump
 GP gasoline pump

EPP. electric pump
 AC-3H auto/man. elect. pump
 DC-3H auto/man. elect. pump



Replacement Coupler 10,000 PSI operating pressure

PT 94 (male)
PT 93 (female)

N-74



In-line Pressure Gauge 10,000 PSI operating pressure for hydraulic pumps

PT 11018

Blue highlighted items are industry standard and most frequently ordered.

**ENFORCER™
HIW716ENF**

**HYDRAULIC IMPACT WRENCH
VARIABLE TORQUE**

7/16" Quick Chuck

When it comes to drilling holes or tightening and loosening hardware the ENFORCER™ hydraulic impact wrench (Catalog Number HIW716ENF) provides a powerful punch with 515 ft-lbs of torque that is unsurpassed in the 7/16" series of low pressure wrenches. Utilizing the very latest in CNC machining technology and superior materials, BURNDY® is proud to provide one of the toughest, lightweight wrenches ever offered in this class.

The ENFORCER™ wrench comes with a 7/16" Tri-ball quick chuck with a wide flange that will provide a secure hold on all standard 7/16" hex drive bits and accessories. The adjustable torque selector allows users to choose between a low setting of 200 ft-lbs and high setting of 515 ft-lbs of output torque. The dual acting spool allows the user to change from Open to Closed center operating circuits. In addition to our standard five-year limited warranty, the ENFORCER™ wrench comes with a full one-year unlimited warranty on the shaft seal.

The ENFORCER™ wrench comes equipped with an internal safety relief valve to protect the tool against hydraulic pressure spikes. This regulates pressure to the motor, and therefore allows excessive flow (flow which is beyond that which is required to do the work) to bypass back to the return side of the circuit.



Features and Benefits

- Industry exclusive torque selector.
 - ◇ Dual torque selector spool allows users to switch between 200 and 515 ft-lb torque settings.
- 7/16" Tri-ball quick chuck.
 - ◇ Allows users to quickly change bits, sockets or other hardware adaptors.
- CNC Machined billet aluminum.
 - ◇ Provides superior strength, reliability and makes for the lightest tool in its class. Also provides for tighter tolerancing to ensure higher quality.
- Cartridge style valves.
 - ◇ Provides for greater accuracy and more economical servicing
- Dual spool operation.
 - ◇ Allows tool to be used in either an OPEN or CLOSED center hydraulic system.

SPECIFICATIONS

- Chuck Type: 7/16" Quick Change
- Optimal Pressure: 750-2000 PSI
- Flow Range: 4-12 GPM
- Optimal Flow Range: 4-8 GPM
- Operation: Open/Closed option
- Torque: 515 ft-lbs
- Weight: 5.95 lbs
- Length: 7.80 in.
- Height: 8.90 in.
- Width: 3.10 in.

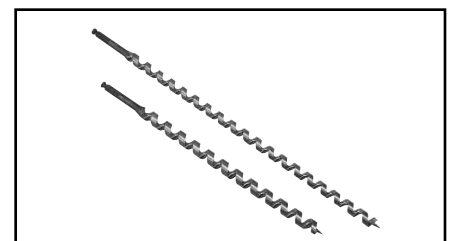
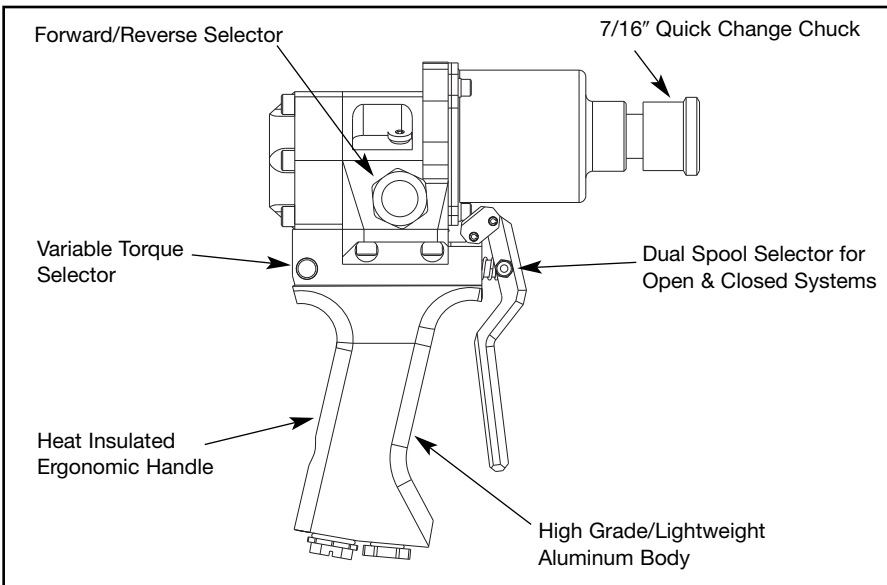
ACCESSORIES

<u>Cat. No.</u>	<u>Description</u>
HIW716ENFTGKIT	Trigger guard assembly kit
HIW716ENFTG	HIW716ENF wrench provided with a factory installed HIW716ENFTGKIT
LPHTADPMMOP66	Male to Male adaptor for use with couplers listed below *(Qty. 2)
LPHTHTMANOSE66	Male Coupling 3/8" NPT *(Qty. 1)
LPHTHTMABODY66	Female Coupling 3/8" NPT *(Qty. 1)
LPHTHOSNCR66668	3/8" x 8 Ft. Hose Set *(Qty. 1)

*(Recommended quantity for use with HIW716ENF.)



The picture above shows the HIW716ENF model with trigger guard, adaptors, and couplers as listed under Accessories.



See our complete line of Dominator Drill Bits on page N83 in the Master Catalog.

Blue highlighted items are industry standard and most frequently ordered.

HIW-716R1

IMPACT WRENCH

7/16" Quick Chuck

Features and Benefits

- Gerotor motor has a lifetime warranty and greater efficiency with longer life than gear type motor tools
- High torque output provides unmatched power, yet controllable, with 500 ft-lbs of torque @ 7 GPM
- Dual action for Open or Closed center operation
- Innovative 3 part design allows tool sub-assemblies to be quickly removed/replaced if service is required.
- 7/16" Tri-ball Quick Chuck accommodates standard 7/16" hex drive bits and accessories
- Eyelet Kit included
- 5-year limited warranty
- Optional trigger guard kit **HIW71612TGKIT**



SPECIFICATIONS

Specifications	Description
Chuck Type:	7/16" Quick Chuck
Pressure:	1000-2000 psi (70-140 BAR)
Flow:	4-7 GPM (15-27 LPM)
Operation:	Open/Closed center
Torque:	450 ft-lbs @ 6 GPM
Motor:	Gerotor
Max. Back Pressure:	250 psi (17 BAR)
Weight:	7.25 lbs. (3.29 kg)
Length:	9 in. (23 cm)
Height:	9 in. (23 cm)
Width:	3 in. (7.6 cm)
Tool Ports:	#6 SAE O-Ring (F)



Cat.# **HIW71612TGKIT**

Trigger Guard

HIW716VTR1

VARIABLE IMPACT WRENCH

Features and Benefits

- Adjustable torque setting allows user to select proper power and torque for any job application
- Torque is controlled by dumping hydraulic flow back to tank, therefore, no heat build-up or over-taxing of hydraulic power source
- Gerotor type motor
- Lightweight—Most powerful wrench in the industry
- Dual action spool (Open/Closed center operation) allows the user to quickly change from Open to Closed Center circuits
- 7/16" Tri-ball Quick Chuck with wide flared flange accommodates standard 7/16" hex drive bits and accessories. Tri-Ball design provides a secure hold on attachments
- Eyelet Kit included
- 5-year limited warranty
- Optional trigger guard kit **HIW71612TGKIT**



SPECIFICATIONS

Specifications	Description
Chuck Type:	7/16" Quick Chuck
Pressure:	1000-2000 psi (70-140 BAR)
Flow:	4-7 GPM (15-27 LPM)
Operation:	Open/Closed center
Torque:	Adjustable 200-500 ft-lbs
Max. Back Pressure:	250 psi (17 BAR)
Weight:	7.25 lbs. (3.29 kg)
Length:	9 in. (23 cm)
Height:	9 in. (23 cm)
Width:	3 in. (7.6 cm)
Tool Ports:	#6 SAE O-Ring (F)

N-76

Blue highlighted items are industry standard and most frequently ordered.

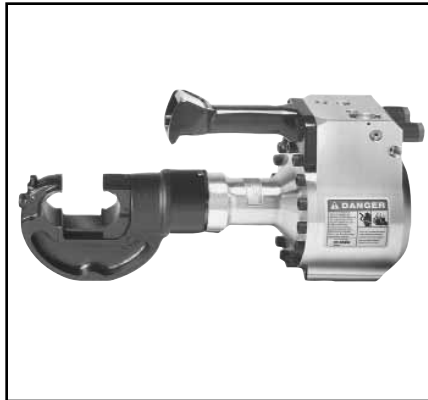
**KOMPRESSOR™
LPHY750XT AND
LPHY750CXT**

**Remote Operated 12 Ton
Low Pressure Hydraulic
Compression Tool**

The BURNDY® LPHY750XT KOMPRESSOR™ is a lightweight, compact, low pressure, hydraulic 12 ton crimping tool. The LPHY750XT is double acting for hydraulic ram advance and retract. The KOMPRESSOR™ also has an industry exclusive spring back up for ram retraction in case of loss of hydraulic pressure. The LPHY750XT comes equipped with an ergonomic handle designed for better balance, which helps lessen fatigue to the operator.

The LPHY750XT KOMPRESSOR™ features the BURNDY® 750XT tool head with a 1.65" jaw opening capable of using all industry standard BURNDY® "U" dies. The LPHY750XT also has an industry exclusive visual crimp indicator to assure the operator of a properly completed crimp. The LPHY750XT also has an audible crimp indicator.

The LPHY750XT is powered directly from open center or closed center hydraulic tool circuits present on most utility line trucks or can be operated from individual low-pressure hydraulic power units. The LPHY750XT can be switched from open center to closed center operation with a simple external adjustment. The LPHY750XT does not require any additional tooling such as boosters, intensifiers, or hand controls in the bucket. Five-year limited warranty.



FEATURES

- LPHY750CXT covered version available. (See picture below.)
- Visual and audible crimp indicator assures properly completed crimps with 12 tons of force.
- Covers a wide range of applications with its 1.65" jaw opening.
- 350° head rotation for versatile tool head positioning allowing the user to get into tight areas easier.
- Uses all standard BURNDY® "U" dies.
- Operates on open center or closed center hydraulic systems.
- Ergonomic handle design for better balance and helps lessen fatigue.
- Double acting tool for hydraulic ram advance and retraction.
- Spring back up for ram retraction if hydraulic system shuts down.
- 5-year limited warranty.

SPECIFICATIONS

- Flow Rate:** 3 - 9 GPM (11 - 34 LPM)
- Operating Pressure:** 1,500 - 2,500 psi (103 - 172 BAR)
- Force Developed:** 12 Tons
- Weight:** 21 lbs. (9.5 kg)
- Overall Length:** 20.65 in. (524 mm)
- Width:** 15 in. (381 mm)
- Jaw Opening:** 1.65 in. (42 mm)
- Max. Back Pressure:** 250 psi (17 BAR)
- Crimp Time:** Approximately 2 seconds

FOR USE ON

- **Tension Sleeves**
 - Copper #8 sol - 500 kcmil
 - Aluminum #8 sol - 587.2 kcmil
 - ACSR #4 - 556.5 kcmil
- **Taps**
 - Copper #14 sol - 500 kcmil
 - Aluminum #8 sol - 500 kcmil
- **Aerial Cable**
 - Copper #6 - 500 kcmil
- **Terminals and Splices**
 - Copper #8 - 750 kcmil
 - Aluminum #8 - 750 kcmil
 - ACSR #4 - 556.5 kcmil
- **HYGROUND®**
 - Copper #8 - 500 kcmil
 - Ground Rods 1/2" - 1" diameter

ACCESSORIES

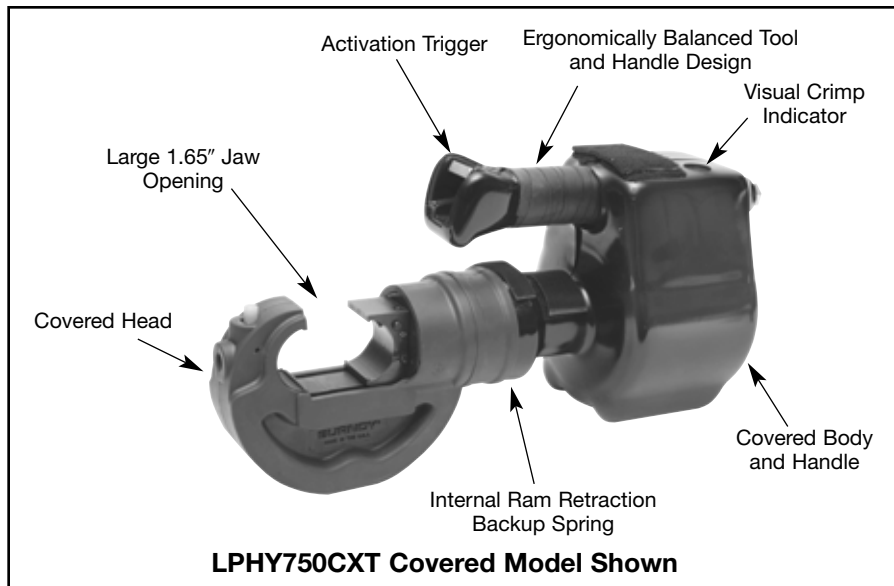
Hoses:

- Cat No. **LPHTHOSNCR66668OP**
Direct connect 8' non-conductive hose set
- Cat No. **LPHTHOSNCR666610OP**
Direct connect 10' non-conductive hose set
- *Cat No. **LPHTHOSNCR66668**
8' non-conductive hose set
- *Cat No. **LPHTHOSNCR666610**
10' non-conductive hose set

Hydraulic Fittings:

- Cat No. **LPHTHTMANOSE66**
Male coupler 3/8" HTMA
- Cat No. **LPHTHTMABODY66**
Female coupler 3/8" HTMA
- Cat No. **LPHTADPSMFOP66**
Swivel Adapter

*These hoses are used with the LPHTADPSMFOP66 swivel adapter.



Blue highlighted items are industry standard and most frequently ordered.

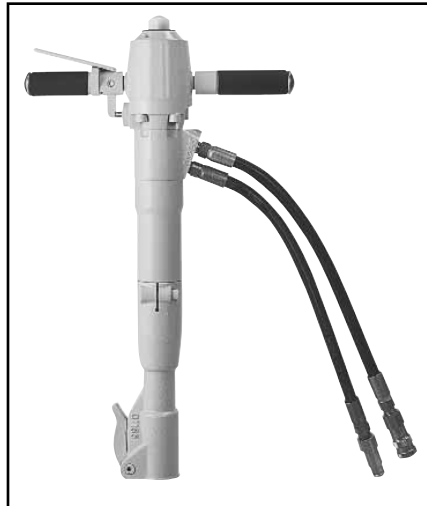
HBR40

HYDRAULIC BREAKER

Light and Medium Duty

Features and Benefits

- Light to Medium Duty breakers powerful enough for most breaking applications.
- Control trigger built into handle.
- Provided with 18" braided whip hoses (order HTMA couplers separately).
- Standard tool attachment mechanism allows use of all standard tool bits.
- No compressed air exploding into atmosphere spreading dirt, dust and noise.
- Hydraulic cushioning of return stroke reduces operator shock and fatigue.
- Hand grips at comfortable working height.
- Hydraulic operation provides continuous lubrication of all moving parts.
- 5-year limited warranty.



SPECIFICATIONS

- Flow:** 4-7 GPM (15-27 LPM)
- Optimum Flow:** 4 GPM (15 LPM)
- Pressure:** 1200-2000 psi (85-140 BAR)
- Max. Back Pressure:** 150 psi (11 BAR)
- Weight:** 40-48 lbs.
- Length:** 25"
- Tool Steel Capacity:** 1" x 4-1/4"
- Performance:** (1500 BPM) 45-55 lb. class breakers
- Whip Hoses:** 18" with 3/8" NPT fittings

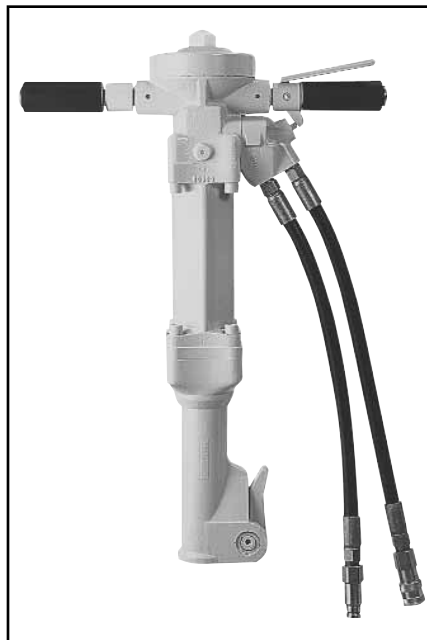
HBR66

HYDRAULIC BREAKER

Medium and Heavy Duty

Features and Benefits

- Medium to Heavy Duty breakers suitable for extended periods of operation.
- Control trigger built into handle.
- Provided with 18" braided whip hoses (order HTMA couplers separately).
- Standard tool attachment mechanism allows use of all standard tool bits.
- No compressed air exploding into atmosphere spreading dirt, dust and noise.
- Hydraulic cushioning of return stroke reduces operator shock and fatigue.
- Hand grips at comfortable working height.
- Hydraulic operation provides continuous lubrication of all moving parts.
- HBR67HF capable of handling 7-10 GPM.
- 5-year limited warranty.



SPECIFICATIONS

- Flow:** 4-7 GPM (15-27 LPM)
- Optimum Flow:** 4 GPM (15 LPM)
- Pressure:** 1200-2000 psi (85-140 BAR)
- Max. Back Pressure:** 150 psi (11 BAR)
- Weight:** 50-67 lbs.
- Length:** 27" to 35"
- Tool Steel Capacity:** 1-1/4" x 6"
- Performance:** 60-80 lb. class series
- Whip Hoses:** 18" with 3/8" NPT fittings

N-78

Blue highlighted items are industry standard and most frequently ordered.

HTP3, HP3

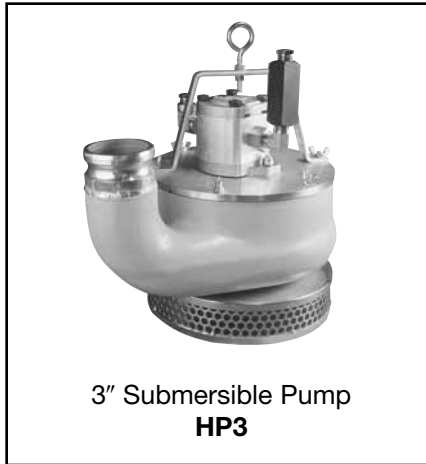
3" SUBMERSIBLE PUMPS

The HP3 and HTP3 hydraulic submersible pumps are designed to reliably pump large volumes of liquids and solids (per specifications). HP and HTP models are durable and offer a very high performance-to-weight ratio. These pumps are self-lubricating, utilizing the hydraulic fluid in a closed loop to ensure consistent, reliable lubrication. The units can be run dry as they do not require water for cooling purposes whether submersed or not.

The high output and compact nature of these pumps make them ideal for pumping out vaults, trenches, ditches, ponds, tanks, pools, etc. in a multitude of industries including agriculture, construction, mining, utilities, public works, departments of transportation, and more.

Features and Benefits

- Totally submersible
- Pumps solids without blockage or damage
- Self lubricating design
- Cast aluminum pump body
- Double-sealed hydraulic motor shaft protects hydraulic source from water
- Thumb screw secured lid so cover is easy to remove without special tools
- Provided with whip hoses
- High impact, abrasion resistant liner
- 5-year limited warranty



**3" Submersible Pump
HP3**

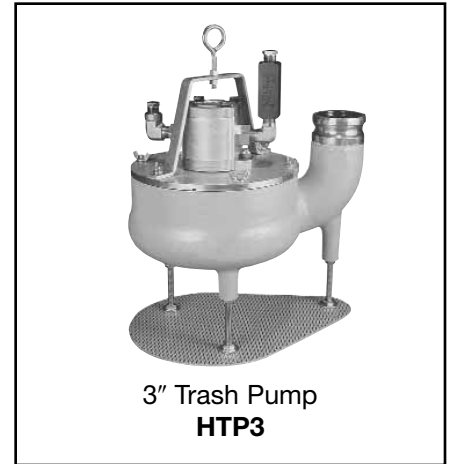
SPECIFICATIONS

HP3

- Flow:** 7-10 GPM (27-38 LPM)
- Pressure:** 1000-2000 PSI (70-140 BAR)
- Weight:** 36 lbs. (16.34 kg)
- Pump capacity:** 750 GPM (2800 LPM)
- Operation:** Open/Closed center
- Discharge size:** 3" outlet (3" Male Cam-Lock)
- Maximum lift:** 50 ft. (21.34 m)
- Motor:** Gear Motor

ACCESSORIES

<u>Cat. No.</u>	<u>Description</u>
HOSE325	25 ft. long hose
HOSE350	50 ft. long hose



**3" Trash Pump
HTP3**

SPECIFICATIONS

HTP3

- Flow:** 7-10 GPM (27-38 LPM)
- Pressure:** 1000-2000 psi (70-140 BAR)
- Max. Back Pressure:** 250 psi (17 BAR)
- Weight:** 40 lbs. (18.16 kg)
- Pump capacity:** 500 GPM (1900 LPM)
- Operation:** Open/Closed center
- Discharge size:** 3" outlet (3" Male Cam-Lock)
- Motor:** Gear Motor
- Diameter:** 12 in (30.5 cm)
- Maximum lift:** 40 ft. (18.29 m)
- Ports:** 1/2" x 14 (#8) NPT (F)

**HP2HV
(HIGH VOLUME)**

2" SUBMERSIBLE PUMPS

Features and Benefits

- Totally submersible
- Self lubricating design
- Lightweight cast aluminum pump body
- Built-in lifting handle/eye
- Self-priming pump
- Provided with whip hoses
- Unit can run dry without damage
- HP2HV adaptable to either 2" or 2-1/2" discharge
- 5-year limited warranty



SPECIFICATIONS

- Flow:** 4-9 GPM
- Pressure:** 1000-2000 psi (70-140 BAR)
- Weight:** 13 lbs.
- Pump Capacity:** 340 GPM
- Operation:** Open/Closed center
- Maximum Lift:** 80 GPM @ 70 ft
- Motor:** Gerotor Motor

ACCESSORIES

<u>Cat. No.</u>	<u>Description</u>
HOSE2	Hose

N-79

Blue highlighted items are industry standard and most frequently ordered.

HPTR1 SERIES

POLE TAMPERS

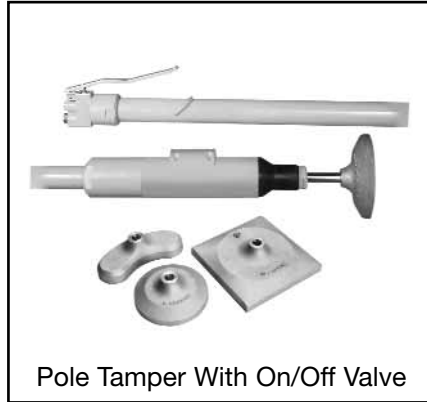
The HPT hydraulic pole tampers are designed to provide trouble-free service for compacting around poles, posts, footings and other objects.

The pole tamper operates best on a flow rate of 4 gal/min. Operating pressure. Force of blow, and frequency of blow will be a function of the flow rate provided. A minimum of 1000 lb/in² operating pressure is essential in order to obtain the maximum output performance.

The unique patented valving of the HPT pole tamper provides low maintenance, long life and superior handling characteristics because there is no mechanical impacting of the ram within the tamper. The oil reverses the stroke before bottoming out, preventing the tamper from hammering itself when running free between compaction strokes.

These features provide unexcelled compaction while virtually eliminating kick-back to the operator's hand.

Tamper shoes sold separately.



Pole Tamper With On/Off Valve



Pole Tamper With No On/Off Valve

Features and Benefits

- Available with or without On/Off control valve
- Patented valving prevents impacting of the ram within the tamper
- Stroke amplitude of 1 5/8"
- Stroke frequency of 1375 blows/min. is ideal for compacting around poles, posts, footings, and other objects
- Interchangeable heavy duty tamper shoes allows for flexibility
- 5-year limited warranty

SPECIFICATIONS

- Flow:** 4-10 GPM (15-38 LPM)
- Pressure:** 1000-2000 PSI (70-140 BAR)
- Max. Back Pressure:** 250 psi (17 BAR)
- Operation:** Open/Closed center
- Stroke Amplitude:** 1 5/8 in.
- Stroke Frequency:** 1375 per minute
- Tool Ports:** #6 SAE O-Ring (F)

With On/Off Valve			No On/Off Valve		
Catalog Number	Overall Length	Weight (Approx.)	Catalog Number	Overall Length	Weight (Approx.)
HPT-60-R1	60" (152 cm)	29 lbs (13 kg)	HPT-59-R1	59" (150 cm)	26 lbs. (12 kg)
HPT-72-R1	72" (183 cm)	30 lbs (14 kg)	HPT-71-R1	71" (180 cm)	28 lbs. (13 kg)
HPT-84-R1	84" (213 cm)	32 lbs (15 kg)	HPT-83-R1	83" (211 cm)	31 lbs. (14 kg)
HPT-96-R1	96" (244 cm)	34 lbs (15.4 kg)	—	—	—

ACCESSORIES

Tamper shoes must be ordered separately

N-80

Cat # **TS-KD**: Kidney shoe, 3" × 8" (7.6 × 20.3 cm)

Cat # **TS-RD**: Round show, 6" dia. (15.2 cm dia.)

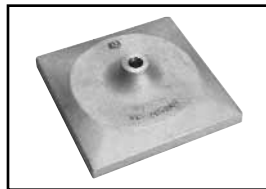
Cat # **TS-SQ**: Square shoe, 8" × 8" (20.3 × 20.3 cm)

Whip Hoses must be ordered separately.

Cat # **LPHTWHP-BCS66606-18** (Incl. set of [2] hoses) Stk # 002045



Kidney Shoe



Square Shoe



Round Shoe

Blue highlighted items are industry standard and most frequently ordered.

HHS Series

HAND CHAIN SAWS

The lightweight Hydraulic Hand-held Chain Saw was designed for the ease of handling, balance and dependability. A Gerotor motor provides the hand-held chain saw with a high level of torque and horsepower for long and trouble-free operation. The handle remains cooler because no hydraulic fluid flows through the grip. An automatic chain oiler is another feature of the saw. In addition, the guide bar contains a nose sprocket for improved cutting performance and reduced wear of the guide bar. The saws are furnished with a .325 pitch anti-kick back chain. The dual spool trigger design enables operation of the tool on both open-center and closed-center systems.



Features and Benefits

- Gerotor type motor has lifetime warranty.
- Supplied with .325" pitch anti-kickback chain for maximum safety.
- Dual action spool quickly and easily changes from Open to Closed center operation.
- Automatic, adjustable chain oiler enables longer running time without damage to chain/bar due to lack of lubrication.
- Low RPM and high torque—minimizes saw kickback.
- Choice of 11", 13", 16" or 20" bars.
- 5-year limited warranty.

Catalog Number	Overall Length	Bar Length	Cutting Capacity	Weight (Approx.)
HHS-O/C-B11	21"	13-1/2"	11"	7-1/4 lbs.
HHS-O/C-B13	24"	15-1/2"	13"	7-1/2 lbs.
HHS-O/C-B16	27"	18-1/2"	16"	8 lbs.
HHS-O/C-B20	30"	22-1/2"	20"	8-1/2 lbs.

HPS Series

POLE CHAIN SAWS

The HPS hydraulic pole saws are designed for safety, convenience and function. The fiberglass extension provides lightweight strength reducing operator fatigue. The trigger guard helps to prevent accidental motor start. The high speed, high performance Gerotor motor enables these pole saws to tackle the toughest of pruning or clearing jobs. Pole circular saw models incorporate a nose and blade guard for stability and fewer chips thrown towards the operator. Pole chain saw models have a disk next to the sprocket to lessen the danger of a poorly adjusted chain from coming off the sprocket. In addition, the guide bar contains a self-lubricating oiling system to help reduce wear and increase performance. Non-conducting fiberglass poles tested to meet OSHA regulation 1910.269.



SPECIFICATIONS

HHS & HPS

- Flow:** 5-8 GPM (19-30 LPM)
- Pressure:** 1000-2000 psi (70-140 BAR)
- Operation:** Open/Closed center
- Motor:** Gerotor
- Chain:** .325" pitch anti-kickback
- Tool Ports:** #6 SAE O-Ring (F)
- Max. Back Pressure:** 250 psi (17 BAR)

Catalog Number	Overall Length	Handle Length	Bar Length	Cutting Capacity	Weight (Approx.)
HPS-O/C-4-B11	73" (6'1")	48"	13-1/2"	11"	8-3/4 lbs.
HPS-O/C-4-B13	76" (6'4")	48"	15-1/2"	13"	9 lbs.
HPS-O/C-5-B11	85" (7'1")	60"	13-1/2"	11"	9-1/4 lbs.
HPS-O/C-5-B13	88" (7'4")	60"	15-1/2"	13"	9-1/2 lbs.

Features and Benefits

- Gerotor motor has lifetime warranty.
- Dual action spool quickly and easily changes from Open to Closed center operation.
- Automatic, adjustable chain oiler enables longer running time without damage to chain/bar due to lack of lubrication.
- .325" pitch anti-kick back chain supplied standard.
- Low RPM and high torque—minimize saw kickback.
- Choice of 11" or 13" bars.
- 5-year limited warranty.

Blue highlighted items are industry standard and most frequently ordered.

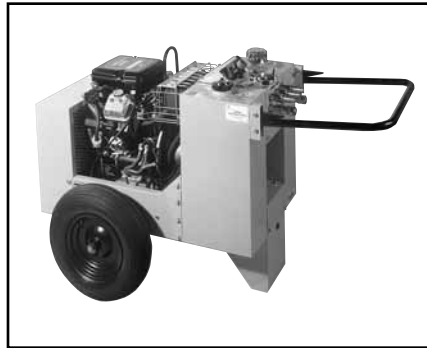
HPP18, HPP18-2

HYDRAULIC POWER PACK

Cat # **HPP18** (Single Circuit)
 Cat # **HPP18-2** (Dual Circuit)

The HPP18-2 Hydraulic Power Pack is designed to provide hydraulic flow and pressure for operation of HTMA Type I and Type II hydraulic tools. The power pack is equipped with an 18 HP gas engine. The power packs are all equipped with air-to-oil coolers with suction fan mounted to the power shaft on the engine. The fuel and hydraulic systems are self-contained with the required reservoir, filtration and level indicators.

The hydraulic system consists of a hydraulic system fluid reservoir; filter assembly, single (HPP18) or tandem pump (HPP18-2), and a wide variety of flow controls. The filter element is a "spin on" type element for easy replacement. The filter housing has a pressure bypass valve to divert fluid directly to the tank in the event of a restricted filter. Only the hydraulic pumps are called out in the parts section of this manual. Pressure hoses from the pumps are connected directly to a control module, which contains a relief valve, a flow control valve, and pressure and return ports. 5 gallon hydraulic reservoir for cooler oil operation.



Features and Benefits

- Briggs & Stratton 18 HP VANGUARD gas engine (twin OHV cylinders.)
- Integral oil cooling system with fully shrouded fan and changeable oil filter.
- Fold away locking handle for easy job site portability.
- Electronic ignition with key start, 12 Volt battery.
- Features manual choke and an adjustable throttle mechanism with lock/adjustment.
- Variable GPM output valve provides fluid flow from 1-10 GPM @ 2,000 psi (HPP18 only).
- HPP18-2 is a dual circuit unit: (1) 10 GPM or (2) 5 GPM.
- HPP18-2 has the ability to operate two (2) 5 GPM tools simultaneously or one (1) tool up to 10 GPM.

SPECIFICATIONS

HPP18

Output/Flow: 1 @ 2,000 PSI @ 1-10 GPM
 (138 Bar @ 0-38 LPM)
Dry Weight: 233 lbs. (105.6 kg)
Length: 35" (88.9 cm)
Width: 29" (73.6 cm)
Height: 32" (81.2 cm)
Motor: 18 Hp @ 3500 RPM

HPP18-2

Output/Flow 2 @ 2,000 PSI @ 5 GPM or 1 @ 2,000 PSI @ 10 GPM
Dry Weight: 233 lbs. (105.6 kg)
Length: 35" (88.9 cm)
Width: 29" (73.6 cm)
Height: 32" (81.2 cm)
Motor: 18 Hp @ 3500 RPM

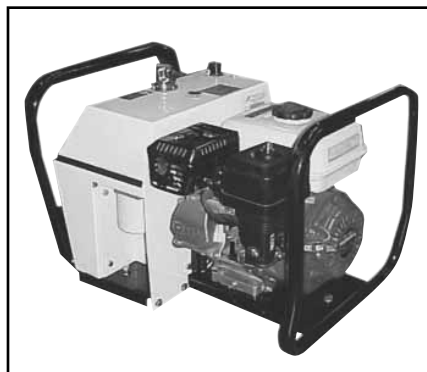
HPP5

HYDRAULIC POWER PACK

N-82

Features and Benefits

- Honda 5.5 HP engine with recoil start for reliability, ease of use and minimal maintenance.
- Lightweight and compact, weighing only 83 lbs. Easily transported and can be picked up by one person.
- Air blast oil cooler/radiator system with thermostatic control. Prevents overheating of the hydraulic oil.



- Built with a robust stainless steel frame and wheel kit. Provides outstanding protection during use and transport.
- Operating controls are basic and easy to use.

SPECIFICATIONS

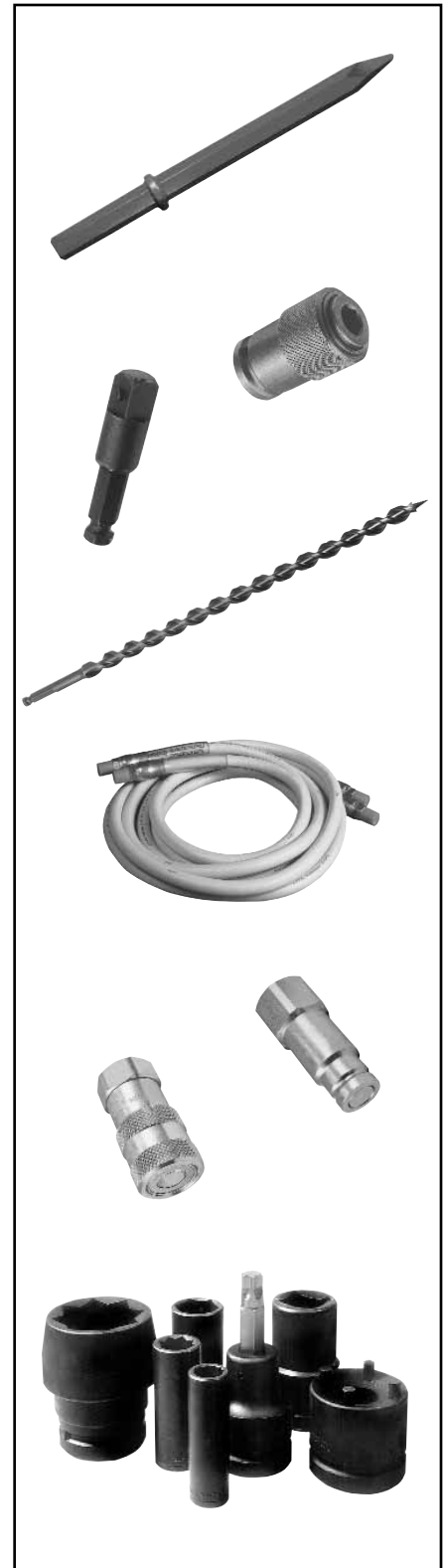
Specifications	Description
Engine:	Honda 5.5 Hp recoil start
Operating Pressure:	1450 psi
Flow:	5.4 GPM
Dry Weight:	83 lbs.
Fuel Tank Capacity:	1 gallon
Hyd. Oil Capacity:	1.25 gallons
Length:	20"
Width:	17"
Height:	18"

Blue highlighted items are industry standard and most frequently ordered.

LPHT ACCESSORIES

This is a generic sample of the more than 200 accessory items available. If you do not see what you are looking for, call us at 1-800-346-4175. BURNDY® and we will get it for you:

Catalog Number	Description
LPHT3CHISEL11418	3" Chisel, 1-1/4" hex, 18" Long
LPHTASPHALTCUT118	Asphalt Cutter, 1-1/8" hex
LPHTCLAYSPADE118	Clay Spade, 1-1/8" hex
LPHTGRDVR11458	Ground Rod Driver, 1-1/4" hex, 5/8" Rod
LPHTGRDVR11858	Ground Rod Driver, 1-1/8" hex, 5/8" Rod
LPHTMOILPT118	Moil Point, 1" hex, 18" Long
LPHTMOILPT11814	Moil Point, 1-1/8" hex, 14" Long
LPHTNARCHISEL11814	Narrow Chisel, 1-1/8" hex, 14" Long
LPHTADPMM71612	7/16" Quick Chuck Adaptor × 1/2" Square
HIW71612GKIT	Trigger Guard for HIW-716, HIW-12
LPHTADPMMOP66	ADP Male/Male SAE #6, 3/8 NPT (2 required per tool)
Auger Bits (call for many additional options)	
LPHTBIT111618D	11/16" × 18" Long × 7/16 QC; Dominator
LPHTBIT111624D	11/16" × 24" Long × 7/16 QC; Dominator
LPHTBIT131618D	13/16" × 18" Long × 7/16 QC; Dominator
LPHTBIT131624D	13/16" × 24" Long × 7/16 QC; Dominator
LPHTBIT151618D	15/16" × 18" Long × 7/16 QC; Dominator
LPHTBIT151624D	15/16" × 24" Long × 7/16 QC; Dominator
Hoses (call for many additional options) red or orange	
LPHTHOSNCR666610	Hose - Insulated, 10 ft., 3/8 NPT, 3/8 NPT
LPHTHOSNCR66668	Hose - Insulated, 8 ft., 3/8 NPT, 3/8 NPT
LPHTHOSNCR66668QP	Hose - Insulated, 8 ft., SAE #6, 3/8 NPT
LPHTHOSNCR666610QP	Hose - Insulated, 10 ft., SAE #6, 3/8 NPT
Couplers (call for many additional options)	
LPHTDRIPBODY66	Dripless Body - 3/8 Body, 3/8 NPT
LPHTDRIPBODY88	Dripless Body - 1/2 Body, 1/2 NPT
LPHTDRIPNOSE66	Dripless Nose - 3/8 Body, 3/8 NPT
LPHTDRIPNOSE88	Dripless Nose - 1/2 Body, 1/2 NPT
LPC38S	3/8, 3/8 NPT Flush Face Coupler Set - Body & Nose
LPC12S	3/8, 1/2 NPT Flush Face Coupler Set - Body & Nose
LPHTHTMADUSTCAPF	HTMA Dust Cap - Body
LPHTHTMADUSTCAPM	HTMA Dust Cap - Nose
Sockets	
LPHTSOC121/118	Dual Socket - 1/2" Drive × 1" × 1-1/8"
LPHTSOC121316/1516	Dual Socket - 1/2" Drive × 13/16" & 15/16"
LPHTSOC121	Socket - 1/2" Drive × 1"
LPHTSOC121116	Socket - 1/2" Drive × 11/16"
LPHTSOC12112	Socket - 1/2" Drive × 1-1/2"
LPHTSOC12114	Socket - 1/2" Drive × 1-1/4"
LPHTSOC12118	Socket - 1/2" Drive × 1-1/8"
LPHTSOC121188PT	Socket - 1/2" Drive × 1-1/8", 8 Point
LPHTSOC1212	Socket - 1/2" Drive × 1/2"
LPHTSOC12128PT	Socket - 1/2" Drive × 1/2", 8 Point
LPHTSOC121316	Socket - 1/2" Drive × 13/16"
LPHTSOC1213168PT	Socket - 1/2" Drive × 13/16", 8 Point
LPHTSOC12138	Socket - 1/2" Drive × 1-3/8"
LPHTSOC1215168PT	Socket - 1/2" Drive × 15/16", 8 Point
LPHTSOC121716	Socket - 1/2" Drive × 1-1/16"
LPHTSOC1217168PT	Socket - 1/2" Drive × 1-1/16", 8 Point
LPHTSOC1218PT	Socket - 1/2" Drive × 1", 8 Point
LPHTSOC1234	Socket - 1/2" Drive × 3/4"
LPHTSOC12348PT	Socket - 1/2" Drive × 3/4", 8 Point
LPHTSOC1258	Socket - 1/2" Drive × 5/8"
LPHTSOC12588PT	Socket - 1/2" Drive × 5/8", 8 Point
LPHTSOC1278	Socket - 1/2" Drive × 7/8"
LPHTSOC12788PT	Socket - 1/2" Drive × 7/8", 8 Point
LPHTSOC12916	Socket - 1/2" Drive × 9/16"
HIW12SOCSET	Socket Set - 1/2" Drive DP IMP 6 Point



N-83

BKOM50125

KNOCKOUT SET

For 1/2" – 1-1/4" Conduit Size

The BURNDY® Knockout Set is designed to punch holes for 1/2" – 1-1/4" conduit in distribution boxes, electrical panels and troughs.

The Knockout Set is provided with a 1-year limited warranty.



BKOM50125 SPECIFICATIONS

Description	Weight
1/2" – 1-1/4" Knockout Set	3 lbs.

ACCESSORIES

Components for kit listed above can be purchased separately.

Features and Benefits

- Four-point design allows slug to drop automatically without splitting.
- Punches up to 10-gauge mild steel.
- Set includes the four most popular sizes of punches and dies packed in a sturdy storage case.
- 1-year limited warranty.

SET INCLUDES

Catalog Number	Description	Hole	Weight
BKP500B	1/2" Punch	7/8"	.4 lb.
BKD500B	1/2" Die	7/8"	1 lb.
BKP750B	3/4" Punch	1-3/32"	.4 lb.
BKD750B	3/4" Die	1-3/32"	1 lb.
BKP1000B	1" Punch	1-11/32"	1 lb.
BKD1000B	1" Die	1-11/32"	1 lb.
BKP1250B	1-1/4" Punch	1-11/16"	2 lb.
BKD1250B	1-1/4" Die	1-11/16"	2 lb.
BKSB50B	1/2" Bearing & Drive Screw		1 lb.
BKS752B	3/4" – 2" Bearing & Drive Screw		1 lb.
BK88004	Storage Case		1.5 lb.

BKOM152

KNOCKOUT SET

For 1-1/2" – 2" Conduit Size

The BURNDY® Knockout Set is designed to punch holes for 1-1/2" – 2" conduit in distribution boxes, electrical panels and troughs.

The Knockout Set is provided with a 1-year limited warranty.



BKOM152 SPECIFICATIONS

Description	Weight
1-1/2" – 2" Knockout Set	4 lbs.

ACCESSORIES

Components for kit listed above can be purchased separately.

Features and Benefits

- Four-point design allows slug to drop automatically without splitting.
- Punches up to 10-gauge mild steel.
- Durable storage case.
- 1-year limited warranty.

SET INCLUDES

Catalog Number	Description	Hole	Weight
BKP1500B	1-1/2" Punch	1-15/16"	2 lb.
BKD1500B	1-1/2" Die	1-15/16"	2 lb.
BKP2000B	2" Punch	2-3/8"	2 lb.
BKD2000B	2" Die	2-3/8"	2 lb.
BKS752B	3/4" – 2" Bearing & Drive Screw	—	1 lb.
BK88001	Storage Case	—	1.5 lb.

Blue highlighted items are industry standard and most frequently ordered.

BKOH2540

ASSORTED KNOCKOUT KIT

For 2-1/2" – 4" Conduit Size

The BURNDY® Assorted Knockout Kit is designed to punch holes for 2-1/2" – 4" conduit in distribution boxes, electrical panels and troughs.

The Knockout Kit is provided with a 1-year limited warranty.



BKOH2540 SPECIFICATIONS

Description	Weight
2-1/2" – 4" Knockout Kit	22 lbs.

ACCESSORIES

Components for kit listed above can be purchased separately.

Features and Benefits

- Expand capability of 1/2" – 2" sets.
- Four-point design allows slug to drop automatically without splitting.
- Punches up to 10-gauge mild steel.
- Packed in metal storage case.
- 1-year limited warranty.

SET INCLUDES

Catalog Number	Description	Hole	Weight
BKP2500	2-1/2" Punch	2-7/8"	3 lb.
BKD2500	2-1/2" Die	2-7/8"	3 lb.
BKP3000	3" Punch	3-1/2"	4 lb.
BKD3000	3" Die	3-1/2"	4 lb.
BKP3500	3-1/2" Punch	4"	4 lb.
BKD3500	3-1/2" Die	4"	4 lb.
BKP4000	4" Punch	4-1/2"	4 lb.
BKD4000	4" Die	4-1/2"	4 lb.
BK88008	Metal Storage Case	—	5 lb.

BKOW520

KNOCKOUT SET WITH RATCHET WRENCH

For 1/2" – 2" Conduit

The BURNDY® Knockout Set with Ratchet Wrench is designed to punch holes for 1/2" – 2" conduit in distribution boxes, electrical panels and troughs.

The Knockout Set with Ratchet Wrench is provided with a 1-year limited warranty.



BKOW520 SPECIFICATIONS

Description	Weight
1/2" – 2" Knockout Set with Ratchet Wrench (BKW52)	12 lbs.

ACCESSORIES

Components for the kit listed above can be purchased separately.

Features and Benefits

- Four-point design allows slug to drop automatically without splitting.
- Punches up to 10-gauge mild steel.
- Set includes ratchet wrench, six sizes of punches and dies, and two drive screws; all packaged in a rugged storage case.
- 1-year limited warranty.

SET INCLUDES

Catalog Number	Description	Hole	Weight
BKP500B	1/2" Punch	7/8"	.4 lb.
BKD500B	1/2" Die	7/8"	1 lb.
BKP750B	3/4" Punch	1-3/32"	.4 lb.
BKD750B	3/4" Die	1-3/32"	1 lb.
BKP1000B	1" Punch	1-11/32"	1 lb.
BKD1000B	1" Die	1-11/32"	1 lb.
BKP1250B	1-1/4" Punch	1-11/16"	2 lb.
BKD1250B	1-1/4" Die	1-11/16"	2 lb.
BKP1500B	1-1/2" Punch	1-15/16"	2 lb.
BKD1500B	1-1/2" Die	1-15/16"	2 lb.
BKP2000B	2" Punch	2-3/8"	2 lb.
BKD2000B	2" Die	2-3/8"	2 lb.
BKW52	Hand Ratchet Wrench	—	1 lb.
BKSB50B	1/2" Bearing & Drive Screw	—	1 lb.
BKS752B	3/4" – 2" Bearing & Drive Screw	—	1 lb.
BK88007	Storage Case	—	1.5 lb.

Blue highlighted items are industry standard and most frequently ordered.

BKOR520

QUICK HAND RATCHET KNOCKOUT SET

For 1/2" – 2" Conduit

The BURNDY® Hand Ratchet Knockout Set is designed to punch holes for 1/2" – 2" conduit in distribution boxes, electrical panels and troughs.

The Hand Ratchet Knockout Set is provided with a 1-year limited warranty.



BKOR520 SPECIFICATIONS

Description	Weight
1/2" – 2" Quick Hand Ratchet Knockout Set	16 lbs.

ACCESSORIES

Components for kit listed above can be purchased separately.

Features and Benefits

- Four-point design allows slug to drop automatically without splitting.
- Smooth operating ratchet handles up to 10-gauge mild steel or 12-gauge stainless steel.
- 1-year limited warranty.

SET INCLUDES

Catalog Number	Description	Hole	Weight
BKP500B	1/2" Punch	7/8"	.4 lb.
BKD500B	1/2" Die	7/8"	1 lb.
BKP750B	3/4" Punch	1-3/32"	.4 lb.
BKD750B	3/4" Die	1-3/32"	1 lb.
BKP1000B	1" Punch	1-11/32"	1 lb.
BKD1000B	1" Die	1-11/32"	1 lb.
BKP1250B	1-1/4" Punch	1-11/16"	2 lb.
BKD1250B	1-1/4" Die	1-11/16"	2 lb.
BKP1500B	1-1/2" Punch	1-15/16"	2 lb.
BKD1500B	1-1/2" Die	1-15/16"	2 lb.
BKP2000B	2" Punch	2-3/8"	2 lb.
BKD2000B	2" Die	2-3/8"	2 lb.
BKOR14	Ratchet	—	12 lb.
BKOR50	1/2" Screw Adapter	—	.4 lb.
BKOR75125	3/4" – 1-1/4" Screw Adapter	—	1 lb.
BKOR152	1-1/2" – 2" Screw Adapter	—	1 lb.
BK88020	Metal Storage Case	—	4 lb.

BKOS5290

**SELF-CONTAINED
 HYDRAULIC 360°
 KNOCKOUT SET**

For 1/2" – 2" Conduit

The BURNDY® Self-Contained 360° Knockout Set is designed to punch holes for 1/2" – 2" conduit in distribution boxes, electrical panels and troughs.

The self-contained 360° Knockout Set is provided with a 1-year limited warranty.



BKOS5290 SPECIFICATIONS

Description	Weight
1/2" – 2" Self-Contained Hydraulic Knockout Set – head swivels 360°	7-1/2 lbs.

Features and Benefits

- Right-angle head swivels 360° for flexible punching in tight work spaces.
- Punches up to 2-1/2" conduit sizes, up to 10-gauge mild steel or 12-gauge stainless steel.
- No cumbersome "spacers" required.
- Compact, lightweight size: 7-1/2 pounds and 13" in length.
- Operating pressure rated at 10,000 psi.
- Set includes the most popular drawstuds, punches, and dies for punching holes for 1/2" to 2" conduit; all packed in a sturdy storage case.
- 1-year limited warranty.

SET INCLUDES

Catalog Number	Description	Hole	Weight
BKP500B	1/2" Punch	7/8"	.4 lb.
BKD500B	1/2" Die	7/8"	1 lb.
BKP750B	3/4" Punch	1-3/32"	.4 lb.
BKD750B	3/4" Die	1-3/32"	1 lb.
BKP1000B	1" Punch	1-11/32"	1 lb.
BKD1000B	1" Die	1-11/32"	1 lb.
BKP1250B	1-1/4" Punch	1-11/16"	2 lb.
BKD1250B	1-1/4" Die	1-11/16"	2 lb.
BKP1500B	1-1/2" Punch	1-15/16"	2 lb.
BKD1500B	1-1/2" Die	1-15/16"	2 lb.
BKP2000B	2" Punch	2-3/8"	2 lb.
BKD2000B	2" Die	2-3/8"	2 lb.
BKLP6	Hydraulic Driver	—	10 lb.
BKPR7520	Drawstud	—	1 lb.
BKPS50	Drawstud	—	.2 lb.
BKSA50	Drawstud Adapter	—	.3 lb.

ACCESSORIES

Components for the kit listed above can be purchased separately.

BKLP6K1 Seal Repair Kit

Blue highlighted items are industry standard and most frequently ordered.

BKOS520

SELF-CONTAINED HYDRAULIC KNOCKOUT SET

For 1/2" – 2" Conduit

The BURNDY® Self-Contained Hydraulic Knockout Set is designed to punch holes for 1/2" – 2" conduit in distribution boxes, electrical panels and troughs.

The Self-Contained Hydraulic Knockout Set is provided with a 1-year limited warranty.

Optional 2-1/2" and 3" punch and die available.



BKOS520 SPECIFICATIONS

Description	Weight
1/2" – 2" Self-Contained Hydraulic Set	14 lbs.

Features and Benefits

- Hydraulic driver punches up to 10-gauge mild steel or 12-gauge stainless steel.
- Four-point design allows slug to drop automatically without splitting.
- Lightweight and easy to use.
- Hydraulic driver operates in any position.
- 1-year limited warranty.

SET INCLUDES

Catalog Number	Description	Hole	Weight
BKP500B	1/2" Punch	7/8"	.4 lb.
BKD500B	1/2" Die	7/8"	1 lb.
BKP750B	3/4" Punch	1-3/32"	.4 lb.
BKD750B	3/4" Die	1-3/32"	1 lb.
BKP1000B	1" Punch	1-11/32"	1 lb.
BKD1000B	1" Die	1-11/32"	1 lb.
BKP1250B	1-1/4" Punch	1-11/16"	2 lb.
BKD1250B	1-1/4" Die	1-11/16"	2 lb.
BKP1500B	1-1/2" Punch	1-15/16"	2 lb.
BKD1500B	1-1/2" Die	1-15/16"	2 lb.
BKP2000B	2" Punch	2-3/8"	2 lb.
BKD2000B	2" Die	2-3/8"	2 lb.
BKLP2	Hydraulic Driver	—	10 lb.
BKPR7520	Drawstud	—	1 lb.
BKPS50	Drawstud	—	.2 lb.
BKSA50	Drawstud Adapter	—	.3 lb.
BK88020	Metal Storage Case	—	4.1 lb.

ACCESSORIES

Components for the kit listed above can be purchased separately. Additional accessories, not included in kit, are listed below.

Catalog Number	Description	Hole	Weight
BKP2500	2-1/2" Punch	2-7/8"	3 lb.
BKD2500	2-1/2" Die	2-7/8"	3 lb.
BKP3000	3" Punch	3-1/2"	4 lb.
BKD3000	3" Die	3-1/2"	4 lb.
BKLP2K1	Seal Repair Kit	—	—

N-90

Blue highlighted items are industry standard and most frequently ordered.

BKOH520A

HYDRAULIC KNOCKOUT SET

For 1/2" – 2" Conduit

The BURNDY® Hydraulic Knockout Set is designed to punch holes for 1/2" – 2" conduit in distribution boxes, electrical panels and troughs. Provided with hand pump.

The Hydraulic Knockout Set is provided with a 1-year limited warranty.



BKOH520A SPECIFICATIONS

Description	Weight
1/2" – 2" Hydraulic Knockout Set with BPH20 Hand Pump	31 lb.

Features and Benefits

- Four-point design allows slug to drop automatically without splitting.
- Punches up to 10-gauge mild steel or 12-gauge stainless steel.
- Hand-powered hydraulic pump.
- Assortment of punches, dies and accessories.
- Includes metal storage case (11-1/8" x 18-3/4" x 6-1/4").
- Competitors' punches and dies are interchangeable.
- 1-year limited warranty.

BKOH520A SET INCLUDES

Catalog Number	Description	Hole	Weight
BKP500B	1/2" Punch	7/8"	.4 lb.
BKD500B	1/2" Die	7/8"	1 lb.
BKP750B	3/4" Punch	1-3/32"	.4 lb.
BKD750B	3/4" Die	1-3/32"	1 lb.
BKP1000B	1" Punch	1-11/32"	1 lb.
BKD1000B	1" Die	1-11/32"	1 lb.
BKP1250B	1-1/4" Punch	1-11/16"	2 lb.
BKD1250B	1-1/4" Die	1-11/16"	2 lb.
BKP1500B	1-1/2" Punch	1-15/16"	2 lb.
BKD1500B	1-1/2" Die	1-15/16"	2 lb.
BKP2000B	2" Punch	2-3/8"	2 lb.
BKD2000B	2" Die	2-3/8"	2 lb.
BPH20	Hand Pump — 2 speed	—	5 lb.
BKPR7540	Drawstud for 3/4" – 4" Punches & Dies	—	2.5 lb.
BKPS50*	Stainless Steel Drawstud, 3/8" dia.	—	.2 lb.
BKC3540**	Converter	—	.4 lb.
BCH1211	12-ton Hydraulic Cylinder	—	6 lb.
BH864	6' Rubber Hose Coupler	—	2 lb.
BCM5	Metal Case	—	11 lb.

* Must be used with 1/2" punch and die.

** Must be used with 3-1/2" – 4" punch and die.

ACCESSORIES

Components for kit listed above can be purchased separately.

Blue highlighted items are industry standard and most frequently ordered.

BKOH540A

HYDRAULIC KNOCKOUT SET

For 1/2" – 4" Conduit

The BURNDY® Hydraulic Knockout Set is designed to punch holes for 1/2" – 4" conduit in distribution boxes, electrical panels and troughs. Provided with hand pump.

The Hydraulic Knockout Set is provided with a 1-year limited warranty.



BKOH540A SPECIFICATIONS

Description	Weight
1/2" – 4" Hydraulic Knockout Set with BPH20 Hand Pump	50 lb.

Features and Benefits

- Four-point design allows slug to drop automatically without splitting.
- Punches up to 10-gauge mild steel or 12-gauge stainless steel.
- Hand-powered hydraulic pump.
- Assortment of punches, dies and accessories.
- Includes metal storage case (11-1/8" x 18-3/4" x 6-1/4").
- Competitors' punches and dies are interchangeable.
- 1-year limited warranty.

BKOH540A SET INCLUDES

Catalog Number	Description	Hole	Weight
BKP500B	1/2" Punch	7/8"	.4 lb.
BKD500B	1/2" Die	7/8"	1 lb.
BKP750B	3/4" Punch	1-3/32"	.4 lb.
BKD750B	3/4" Die	1-3/32"	1 lb.
BKP1000B	1" Punch	1-11/32"	1 lb.
BKD1000B	1" Die	1-11/32"	1 lb.
BKP1250B	1-1/4" Punch	1-11/16"	2 lb.
BKD1250B	1-1/4" Die	1-11/16"	2 lb.
BKP1500B	1-1/2" Punch	1-15/16"	2 lb.
BKD1500B	1-1/2" Die	1-15/16"	2 lb.
BKP2000B	2" Punch	2-3/8"	2 lb.
BKD2000B	2" Die	2-3/8"	2 lb.
BKP2500	2-1/2" Punch	2-7/8"	3 lb.
BKD2500	2-1/2" Die	2-7/8"	3 lb.
BKP3000	3" Punch	3-1/2"	4 lb.
BKD3000	3" Die	3-1/2"	4 lb.
BKP3500	3-1/2" Punch	4"	4 lb.
BKD3500	3-1/2" Die	4"	4 lb.
BKP4000	4" Punch	4-1/2"	4 lb.
BKD4000	4" Die	4-1/2"	4 lb.
BPH20	Hand Pump — 2 speed	—	5 lb.
BKPR7540	Drawstud for 3/4" – 4" Punches & Dies	—	2.5 lb.
BKPS50*	Stainless Steel Drawstud, 3/4" dia.	—	.2 lb.
BKC3540**	Converter	—	.4 lb.
BCH1211	12-ton Hydraulic Cylinder	—	6 lb.
BH864	6' Rubber Hose Coupler	—	2 lb.
BCM5	Metal Case	—	11 lb.

* Must be used with 1/2" punch and die.

** Must be used with 3-1/2" – 4" punch and die.

ACCESSORIES

Components for kit listed above can be purchased separately.

BKOF520

HYDRAULIC KNOCKOUT SET

For 1/2" – 2" Conduit

The BURNDY® Hydraulic Knockout Set is designed to punch holes for 1/2" – 2" conduit in distribution boxes, electrical panels and troughs. Provided with foot pump.

The Hydraulic Knockout Set is provided with a 1-year limited warranty.



BKOF520 SPECIFICATIONS

Description	Weight
1/2" – 2" Hydraulic Knockout Set with BPF20 Foot Pump	31 lb.

Features and Benefits

- Four-point design allows slug to drop automatically without splitting.
- Punches up to 10-gauge mild steel or 12-gauge stainless steel.
- Foot-powered hydraulic pump.
- Assortment of punches, dies and accessories.
- Includes metal storage case (11-1/8" x 18-3/4" x 6-1/4").
- Competitors' punches and dies are interchangeable.
- 1-year limited warranty.

BKOF520 SET INCLUDES

Catalog Number	Description	Hole	Weight
BKP500B	1/2" Punch	7/8"	.4 lb.
BKD500B	1/2" Die	7/8"	1 lb.
BKP750B	3/4" Punch	1-3/32"	.4 lb.
BKD750B	3/4" Die	1-3/32"	1 lb.
BKP1000B	1" Punch	1-11/32"	1 lb.
BKD1000B	1" Die	1-11/32"	1 lb.
BKP1250B	1-1/4" Punch	1-11/16"	2 lb.
BKD1250B	1-1/4" Die	1-11/16"	2 lb.
BKP1500B	1-1/2" Punch	1-15/16"	2 lb.
BKD1500B	1-1/2" Die	1-15/16"	2 lb.
BKP2000B	2" Punch	2-3/8"	2 lb.
BKD2000B	2" Die	2-3/8"	2 lb.
BPF20	Foot Pump — 2 speed	—	5 lb.
BKPR7540	Drawstud for 3/4" – 4" Punches & Dies	—	2.5 lb.
BKPS50*	Stainless Steel Drawstud, 3/8" dia.	—	.2 lb.
BKC3540**	Converter	—	.4 lb.
BCH1211	12-ton Hydraulic Cylinder	—	6 lb.
BH864	6' Rubber Hose Coupler	—	2 lb.
BCM5	Metal Case	—	11 lb.

* Must be used with 1/2" punch and die.

** Must be used with 3-1/2" – 4" punch and die.

ACCESSORIES

Components for kit listed above can be purchased separately.

Blue highlighted items are industry standard and most frequently ordered.

BKOF540

HYDRAULIC KNOCKOUT SET

For 1/2" – 4" Conduit

The BURNDY® Hydraulic Knockout Set is designed to punch holes for 1/2" – 4" conduit in distribution boxes, electrical panels and troughs. Provided with foot pump.

The Hydraulic Knockout Set is provided with a 1-year limited warranty.



BKOH540A SPECIFICATIONS

Description	Weight
1/2" – 4" Hydraulic Knockout Set with BPF20 Foot Pump	50 lb.

Features and Benefits

- Four-point design allows slug to drop automatically without splitting.
- Punches up to 10-gauge mild steel or 12-gauge stainless steel.
- Foot-powered hydraulic pump.
- Assortment of punches, dies and accessories.
- Includes metal storage case (11-1/8" x 18-3/4" x 6-1/4").
- Competitors' punches and dies are interchangeable.
- 1-year limited warranty.

BKOH540A SET INCLUDES

Catalog Number	Description	Hole	Weight
BKP500B	1/2" Punch	7/8"	.4 lb.
BKD500B	1/2" Die	7/8"	1 lb.
BKP750B	3/4" Punch	1-3/32"	.4 lb.
BKD750B	3/4" Die	1-3/32"	1 lb.
BKP1000B	1" Punch	1-11/32"	1 lb.
BKD1000B	1" Die	1-11/32"	1 lb.
BKP1250B	1-1/4" Punch	1-11/16"	2 lb.
BKD1250B	1-1/4" Die	1-11/16"	2 lb.
BKP1500B	1-1/2" Punch	1-15/16"	2 lb.
BKD1500B	1-1/2" Die	1-15/16"	2 lb.
BKP2000B	2" Punch	2-3/8"	2 lb.
BKD2000B	2" Die	2-3/8"	2 lb.
BKP2500	2-1/2" Punch	2-7/8"	3 lb.
BKD2500	2-1/2" Die	2-7/8"	3 lb.
BKP3000	3" Punch	3-1/2"	4 lb.
BKD3000	3" Die	3-1/2"	4 lb.
BKP3500	3-1/2" Punch	4"	4 lb.
BKD3500	3-1/2" Die	4"	4 lb.
BKP4000	4" Punch	4-1/2"	4 lb.
BKD4000	4" Die	4-1/2"	4 lb.
BPF20	Foot Pump — 2 speed	—	5 lb.
BKPR7540	Drawstud for 3/4" – 4" Punches & Dies	—	2.5 lb.
BKPS50*	Stainless Steel Drawstud, 3/4" dia.	—	.2 lb.
BKC3540**	Converter	—	.4 lb.
BCH1211	12-ton Hydraulic Cylinder	—	6 lb.
BH864	6' Rubber Hose Coupler	—	2 lb.
BCM5	Metal Case	—	11 lb.

* Must be used with 1/2" punch and die.

** Must be used with 3-1/2" – 4" punch and die.

ACCESSORIES

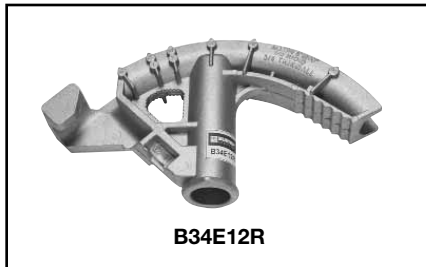
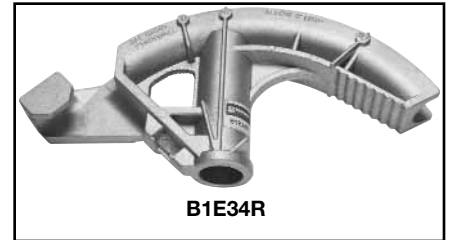
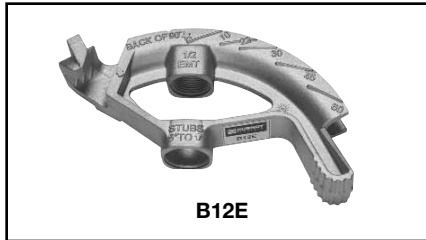
Components for kit listed above can be purchased separately.

**B12E, B34E12R,
B1E34R**

CONDUIT HAND BENDERS

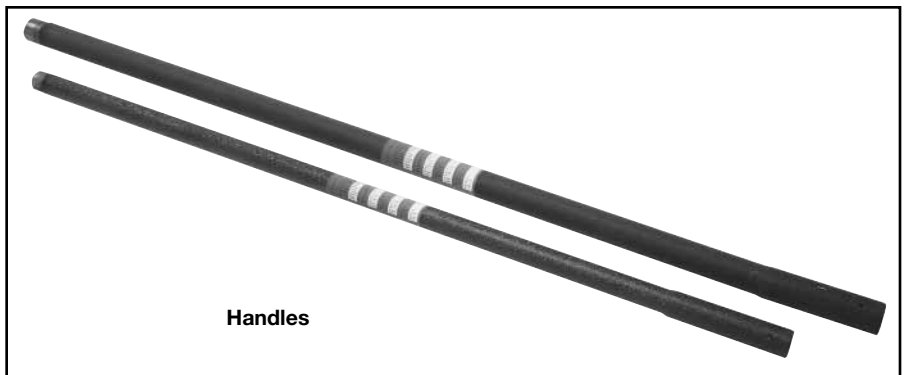
The BURNDY® Aluminum Hand Bender is designed to bend EMT and Rigid conduit. The size range is 1/2" - 1" EMT.

The conduit hand bender is provided with a 5-year limited warranty.



Features and Benefits

- All models include embossment with sight lines for 10°, 22°, 30°, 45°, 60° and 90°.
- Industry standard markings – 30° bend when handle is straight up.
- The non-slip foot pedal is contoured allowing more foot room.
- 3/4" and 1" bender heads have levels which makes aligning easy.
- Designed with a channel to bend conduit back if you have an over-bend.
- 5-year limited warranty.



Bender Part Number	Description	Weight
B12E	1/2" EMT (bender head only)	.90 lbs
B34E12R	3/4" EMT – 1/2" RIGID (bender head only)	1.80 lbs
B1E34R	1" EMT – 3/4" RIGID (bender head only)	3.55 lbs
Handle Part Number	Description	Weight
H12E	Handle for 1/2" bender	3.65 lbs
H34E12R	Handle for 3/4" bender	3.65 lbs
H1E34R	Handle for 1" bender	5.45 lbs
Assembly (Bender & Handle)	Description	Weight
BHA12E	1/2" EMT bender with handle	4.55 lbs
BHA34E12R	3/4" EMT – 1/2" RIGID bender with handle	5.45 lbs
BHA1E34R	1" EMT – 3/4" RIGID bender with handle	9 lbs

Blue highlighted items are industry standard and most frequently ordered.

Benders—Electric Benders

BEB122

ELECTRIC CONDUIT BENDER

For 1/2" - 2" Conduit and Pipe

The BURNDY® BEB122 electric conduit bender is designed to bend 1/2" - 2" rigid conduit, IMC, EMT and 2" PVC coated conduit. The BEB122 bender assists the electrical contractor on larger jobs and will save time and labor.

The BEB122 electrical bender is provided with a 2-year limited warranty.

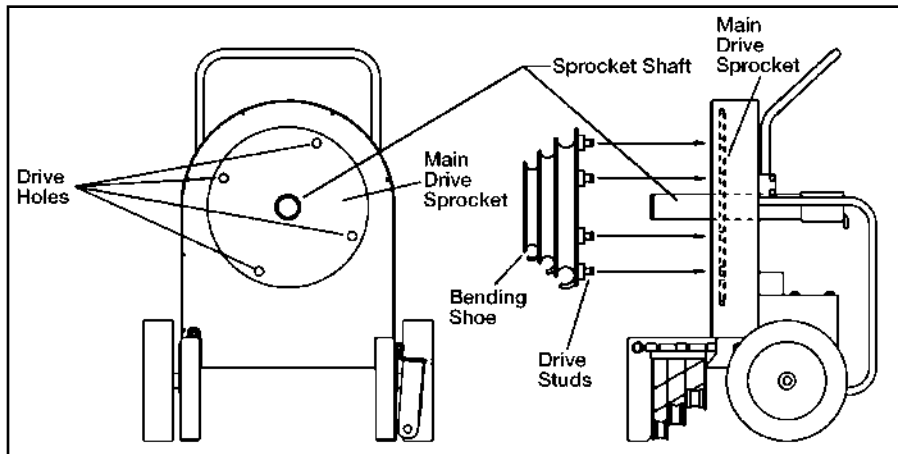
Features and Benefits

- The electric bender is available for Rigid, EMT, IMC or PVC. Bender can also be purchased without shoes.
- Shoes and roller supports interchange with the Gardner Bender® GB2555, Greenlee® 555 and Current Tools® 77 series. (Only exception is using the Greenlee® four groove rigid shoe #00571. You must use roller support #00936.)
- Reliable electrical system that offers ease of repairs (does not contain any circuit boards).
- Proudly "Made in the USA."
- Maximum schedule 40 conduit.
- Will produce 180 degree bends in a single cycle.
- Limit stop control for bend angle settings.
- Operates on 115-120VAC 60Hz.
- Built in bend angle protractor bends 90 degrees quickly and efficiently.
- 2-year limited warranty.



ACCESSORIES

Part Number	Description	Weight
BEBSHOECASE	Metal storage box	36 lbs.



Part Number	Description	Weight
BEB122	Electric Bender Power Unit only, without shoes and roller supports	270 lbs.
BEB122RIG	Electric Bender with shoes and roller supports for 1/2" through 2" RIGID conduit schedule 40 pipe and 1/2" through 1-1/4" IMC conduit	365 lbs.
BEB122EMT*	Electric Bender with shoes and roller supports for 1/2" through 2" EMT conduit	430 lbs.
BEB122PVC*	Electric Bender with shoes and roller supports for 1/2" through 2" PVC coated RIGID conduit	365 lbs.
122RIG	Shoes and roller supports only, for bending 1/2" thru 2" RIGID conduit, 1/2" through 1-1/4" IMC conduit and 1/2" through 2" Schedule 40 pipe	74 lbs.
122EMT*	Shoes and roller supports only, for bending 1/2" through 2" EMT (thinwall)	160 lbs.
122IMC*	Shoes and roller supports only, for bending 1-1/2" and 2" IMC	127 lbs.
122PVC*	Shoes and roller supports only, for bending 1/2" through 2" 40 mil PVC coated RIGID	110 lbs.

* Shoes and roller supports come with BEBSHOECASE metal box.

BSC2H

The SmartCart®

2 Wheel Heavy Duty Cart

The SmartCart® is a versatile wire management system consisting of 2 wheeled carts, various modular wire racks for carrying spools of wire and wall storage units to organize and store racks with wire when not in use. The SmartCart® wire management system will assist the electrical contractor with wire installations, improves wire storage, and saves time and labor.

Heavy duty carts are rated for 600 lbs. capacity.

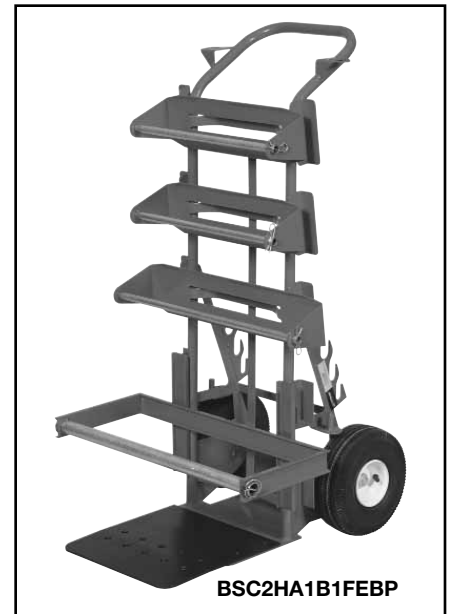
The SmartCart® is provided with a 1-year limited warranty.

Features and Benefits

- Order as standard configuration or customize to your needs with various size racks
- Two holders provided for up to 1" conduit benders
- Built-in tray to hold fish tapes and tools
- Handles are pre-dimpled for mounting material tool boxes (MTB and MTX)
- Cart base plate is pre-punched to accommodate mounting of the extension base plate with built-in wire guide
- Spools are easily changed by placing rack on its side, removing hitch pin and shaft, roll-out and roll-in desired new spool
- Motionless vise attached to the back of cart for cutting 1/2", 3/4" and 1" conduit



BSC2H



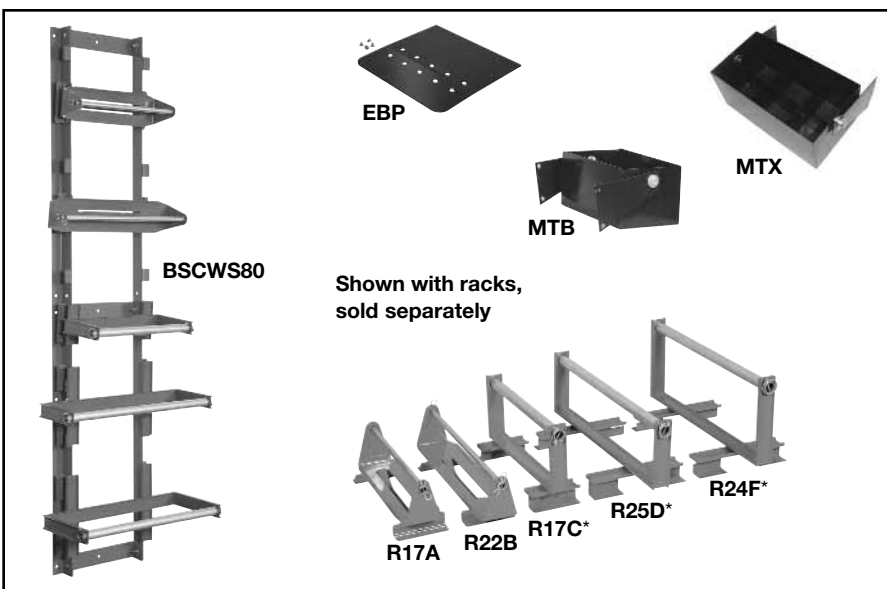
BSC2HA1B1FEBP

Catalog Number	Description	Weight
BSC2H	2-Wheel Heavy Duty without racks	37 lbs.
BSC2H5A	2-Wheel Heavy Duty with (5) R17A racks	62 lbs.
BSC2H3A2B	2-Wheel Heavy Duty with (3) R17A racks and (2) R22B racks	64 lbs.
BSC2H5B	2-Wheel Heavy Duty with (5) R22B racks	67 lbs.
BSC2H1C2DEBP	2-Wheel Heavy Duty with (1) R17C rack, (2) R25D racks and (1) EBP	86 lbs.
BSC2H2C1DEBP	2-Wheel Heavy Duty with (2) R17C racks, (1) R25D rack and (1) EBP	82 lbs.
BSC2H2A1B1FEBP	2-Wheel Heavy Duty with (2) R17A racks (1) R22B rack (1) R24F rack and (1) EBP	81 lbs.

ACCESSORIES

- EBP** Extension Base Plate with built-in wire guide
- MTB** Material Tool Box
11" L x 6" W x 5" D
- MTX** Material Tool Box (MTB) with Dividers 6-Pockets:
3-5/8" L x 3" W x 3" D
- R17A** 17" wide rack for 7-1/2" diameter spools with 1/2" EMT spindles
- R22B** 22" wide rack for 7-1/2" diameter spools with 1/2" EMT spindles
- R17C *** 17" wide rack for 12" diameter spools with 1" EMT spindles
- R25D *** 25" wide rack for 12" diameter spools with 1" EMT spindles
- R24F *** 24" wide rack for 2-16" diameter reels with 1" EMT spindles
- BSCWS40** 40" Wall Wire Reel Storage System
- BSCWS80** 80" Wall Wire Reel Storage System

*Note: The R17C, R25D, and R24F racks are designed for oversized reels. The Extension Base Plate (EBP) is required when used on The SmartCart®.



Shown with racks, sold separately

Blue highlighted items are industry standard and most frequently ordered.

BSC2L

The SmartCart®

2 Wheel Light Duty Cart

The SmartCart® is a versatile wire management system consisting of 2 wheeled carts, various modular wire racks for carrying spools of wire and wall storage units to organize and store racks with wire when not in use. The SmartCart® wire management system will assist the electrical contractor with wire installations, improves wire storage, and saves time and labor.

Light duty carts are rated for 300 lbs capacity.

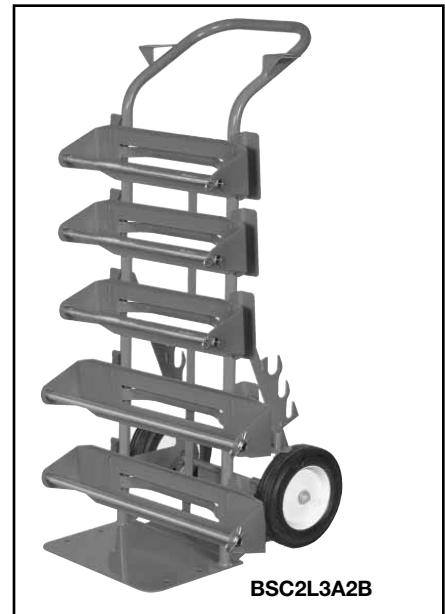
The SmartCart® is provided with a 1-year limited warranty.

Features and Benefits

- Order as standard configuration or customize to your needs with various size racks
- Two holders provided for up to 1" conduit benders
- Built-in tray to hold fish tapes and tools
- Handles are pre-dimpled for mounting material tool boxes (MTB and MTX)
- Cart base plate is pre-punched to accommodate mounting of the extension base plate with built-in wire guide
- Spools are easily changed by placing rack on its side, removing hitch pin and shaft, roll-out and roll-in desired new spool
- Motionless vise attached to the back of cart for cutting 1/2", 3/4" and 1" conduit



BSC2L



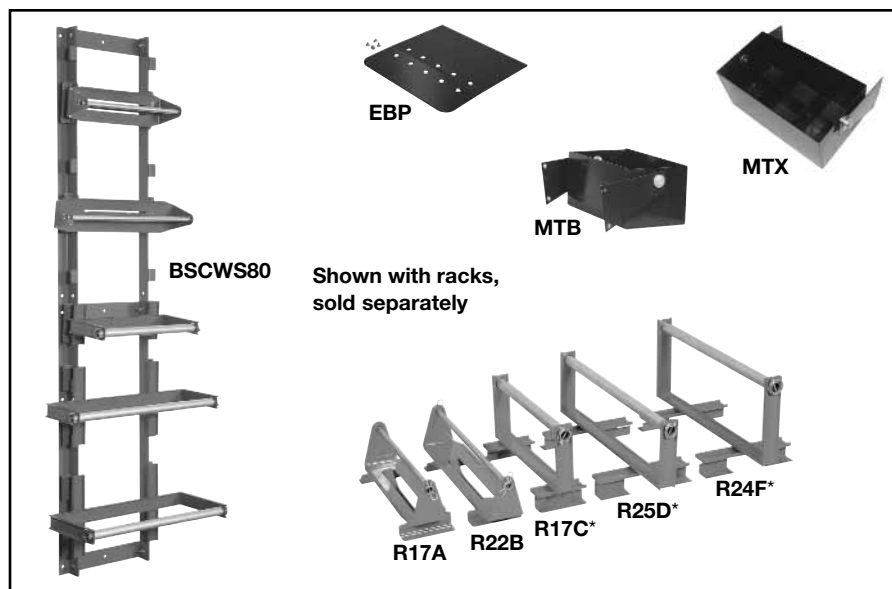
BSC2L3A2B

Catalog Number	Description	Weight
BSC2L	2-Wheel Light Duty without racks	37 lbs.
BSC2L5A	2-Wheel Light Duty with (5) R17A racks	62 lbs.
BSC2L3A2B	2-Wheel Light Duty with (3) R17A racks and (2) R22B racks	64 lbs.
BSC2L5B	2-Wheel Light Duty with (5) R22B racks	67 lbs.
BSC2L1C2DEBP	2-Wheel Light Duty with (1) R17C rack, (2) R25D racks and (1) EBP	86 lbs.
BSC2L2C1DEBP	2-Wheel Light Duty with (2) R17C racks, (1) R25D rack and (1) EBP	82 lbs.

ACCESSORIES

- EBP** Extension Base Plate with built-in wire guide
- MTB** Material Tool Box
11" L × 6" W × 5" D
- MTX** Material Tool Box (MTB) with Dividers 6-Pockets:
3-5/8" L × 3" W × 3" D
- R17A** 17" wide rack for 7-1/2" diameter spools with 1/2" EMT spindles
- R22B** 22" wide rack for 7-1/2" diameter spools with 1/2" EMT spindles
- R17C *** 17" wide rack for 12" diameter spools with 1" EMT spindles
- R25D *** 25" wide rack for 12" diameter spools with 1" EMT spindles
- R24F *** 24" wide rack for 2-16" diameter reels with 1" EMT spindles
- BSCWS40** 40" Wall Wire Reel Storage System
- BSCWS80** 80" Wall Wire Reel Storage System

*Note: The R17C, R25D, and R24F racks are designed for oversized reels. The Extension Base Plate (EBP) is required when used on The SmartCart®.



Shown with racks, sold separately

Blue highlighted items are industry standard and most frequently ordered.

BSCWS40 AND BSCWS80

The SmartCart®

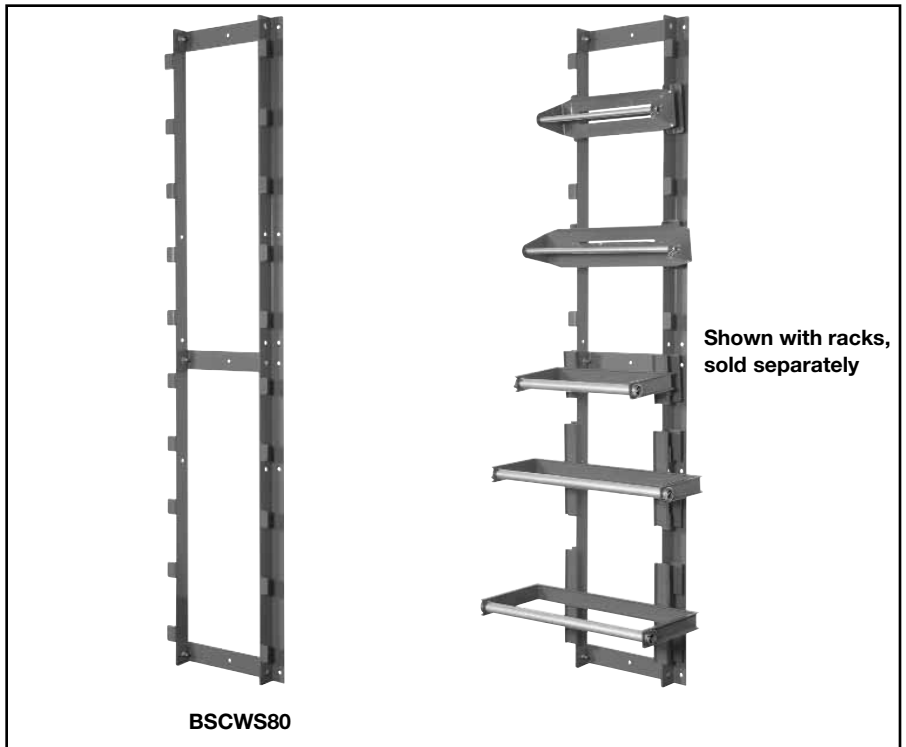
Wall Wire Reel Storage System

The BSCWS40, 40" high and BSCWS80, 80" high Wall Wire Reel Storage Systems are designed to work in a van, panel truck or shop and handles all 2 wheel SmartCart® racks.

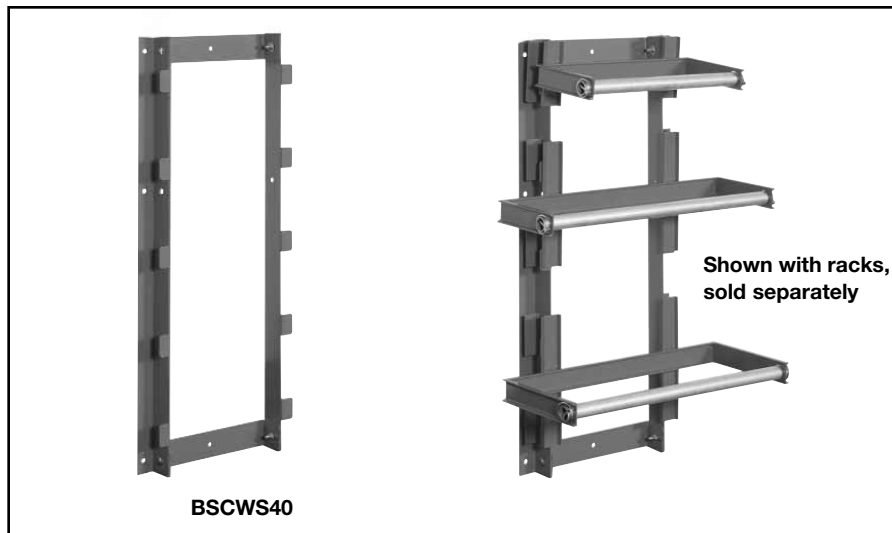
Provides a time saving advantage by storing wire on racks which can be easily moved to 2 wheel carts for transporting and wire pulling.

Sizes: 40" high, 17" wide, 2-3/4" deep
80" high, 17" wide, 2-3/4" deep

The SmartCart® is provided with a 1-year limited warranty.



BSCWS80



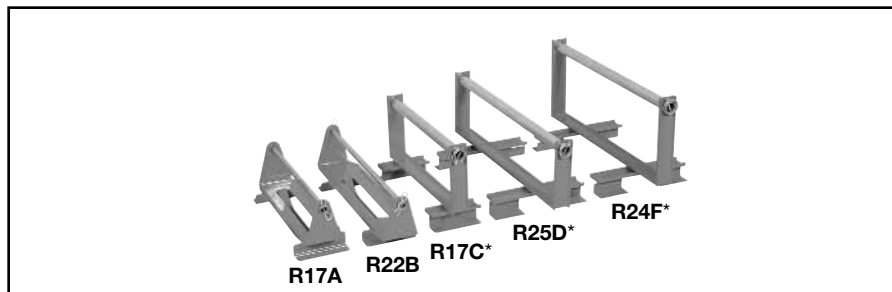
BSCWS40

Modular Racks for 2 Wheel Carts

(sold separately)

- R17A** 17" wide rack for 7-1/2" diameter spools with 1/2" EMT spindles
- R22B** 22" wide rack for 7-1/2" diameter spools with 1/2" EMT spindles
- R17C*** 17" wide rack for 12" diameter spools with 1" EMT spindles
- R25D*** 25" wide rack for 12" diameter spools with 1" EMT spindles
- R24F*** 24" wide rack for 2-16" diameter reels with 1" EMT spindles

*Note: The R17C, R25D, and R24F racks are designed for oversized reels. The Extension Base Plate (EBP) is required when used on The SmartCart®.



R17A

R22B

R17C*

R25D*

R24F*

Blue highlighted items are industry standard and most frequently ordered.

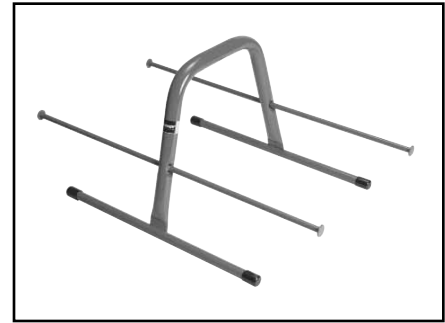
BWC04EHC

BURNDY® Wire Caddies

Economy Hand Caddy

The BWC04EHC Economy Hand Caddy is designed for 500' spools of #10 AWG and smaller. No hitch pins to lose as retaining washers keep spools on spindles. (Can also be mounted on the BWC24MTHTC.)

Maximum Weight Capacity: 200 lbs.
Spool capacity: (8) 500' spools of #12 AWG (4) 500' spools of #10 AWG
Size: 10-1/2" high, 13-1/2" wide, 21" long
Weight: 4 lbs.



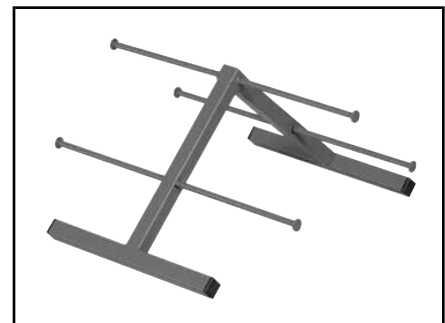
BWC06FHC

BURNDY® Wire Caddies

Folding Hand Caddy

The BWC06FHC Folding Hand Caddy is designed for 500' spools of #10 AWG and smaller. No hitch pins to lose as retaining washers keep spools on spindles. Caddy folds down to 2-1/2" for compact storage.

Maximum Weight Capacity: 120 lbs.
Spool capacity: (6) 500' spools of up to #10 AWG
Size: 10" high, 18" wide
Weight: 5 lbs.



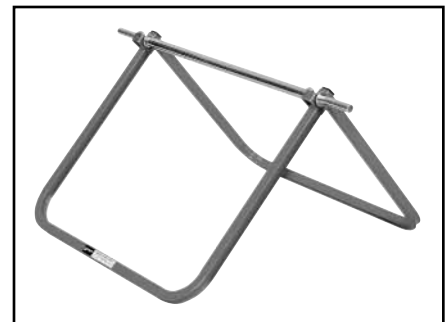
BWC01CMC

BURNDY® Wire Caddies

Compact Medium Caddy

The BWC01CMC is designed for medium size heavier reels. No hitch pins to lose. 3/4" solid steel spindle under 1" tubing sleeves for easy payout. Folds down for compact storage. (Can also be mounted on the BWC-24MTHTC.)

Maximum Weight Capacity: 300 lbs.
Reel capacity: 24-1/2" traverse, 30" diameter, 250 lbs.
Size: 24" high, 35" spindle length
Weight: 15 lbs.



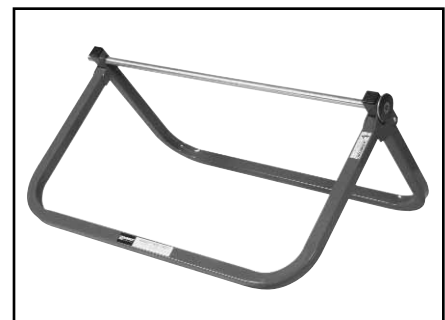
BWC01CDC

BURNDY® Wire Caddies

Compact Data Caddy

The BWC01CDC Compact Data Caddy is designed for medium size reels like Cat 5 or even 1000' NM-B mounted on a 5/8" solid steel spindle. No hitch pins to lose and folds down for compact storage.

Maximum Weight Capacity: 300 lbs.
Reel capacity: 24-1/2" traverse, 20" diameter, 250 lbs.
Size: 16" high, 28-1/2" long
Weight: 9 lbs.



Blue highlighted items are industry standard and most frequently ordered.

BWC46CWD

BURNDY® Wire Caddies

Caddy Wire Dispenser

The BWC46CWD is designed for spools up to 9" diameter. No hitch pins to lose with (6) 1/2" solid steel spindles. Retaining washers keep spools on spindles. Removable handle with built in wire guide. (2) locking swivel casters and (2) swivel casters.

Maximum Weight Capacity: 350 lbs.
Spool capacity: 12-1/4" traverse, 9" diameter (per spindle)
Size: 16-1/2" high, 26" wide, 16" long
Weight: 19 lbs.



BWC01FCMR

BURNDY® Wire Caddies

Folding Caddy Mount Reel

The BWC01FCMR Folding Caddy Mount Reel is designed for dispensing coiled NM-B or MC. Attaches to the BWC28FAC for portability and accepts add-on BWC01FAR for additional coils. Caddy folds down for compact storage.

Maximum Weight Capacity: 100 lbs.
Capacity: (2) 250' coils of NM-B; (1) 250' coil of MC
Size: 15" high x 18" wide
Weight: 8 lbs.



BWC28FAC

BURNDY® Wire Caddies

Folding A-Frame Caddy

The BWC28FAC Folding A-Frame Caddy is designed for 500' spools of #10 AWG and smaller. No hitch pins to lose with (8) 1/2" solid steel spindles, (2) 8 x 1-1/2" semi-pneumatic tires. Folds down for compact storage and wire can be left on caddy when folded. BWC01FCMR can be mounted for portability.

Maximum Weight Capacity: 400 lbs.
Spool capacity: 18" traverse, 6-3/4" diameter (per spindle)
Size: 47" High, 28-1/4" wide, 15-1/2" deep (when folded)
Weight: 45 lbs.



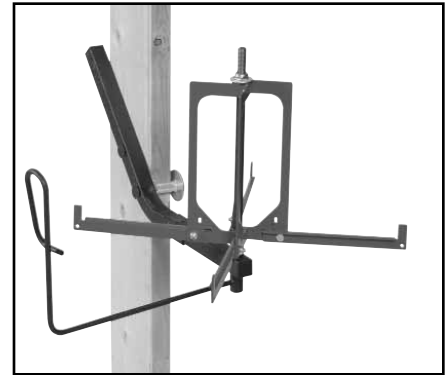
BWC01FSMC

BURNDY® Wire Caddies

Folding Stud Mount Caddy

The BWC01FSMC Folding Stud Mount Caddy is designed for dispensing coiled NM-B or MC while attached to wood studs. Caddy offers a universal mounting device for 2" × 4" or 2" × 6" studs. Caddy folds down for compact storage; accepts add-on BWC01FAR for additional coils.

Maximum Weight Capacity: 125 lbs.
Capacity: (2) 250' coils of NM-B,
(1) 250' coil of MC
Size: 16" high, 20-3/4" (open),
5" (folded) wide
Weight: 6 lbs.



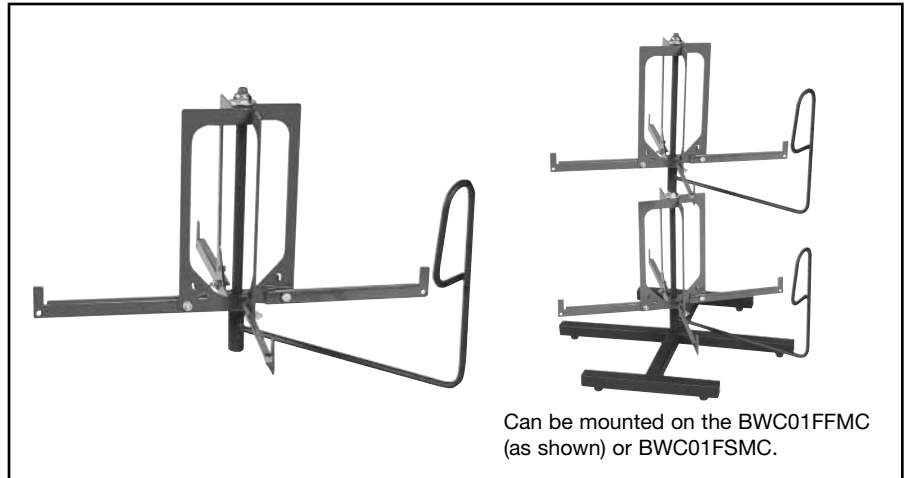
BWC01FAR

BURNDY® Wire Caddies

Folding Add-On Reel

The BWC01FAR Folding Add-On Reel is designed for dispensing coiled NM-B or MC while attached to BWC01FSMC or BWC01FFMC. Caddy folds down for compact storage.

Maximum Weight Capacity: 100 lbs.
Capacity: (2) 250' coils of NM-B,
(1) 250' coil of MC
Size: 16" high, 20-3/4" (open),
5" (folded) wide
Weight: 4 lbs.



Can be mounted on the BWC01FFMC (as shown) or BWC01FSMC.

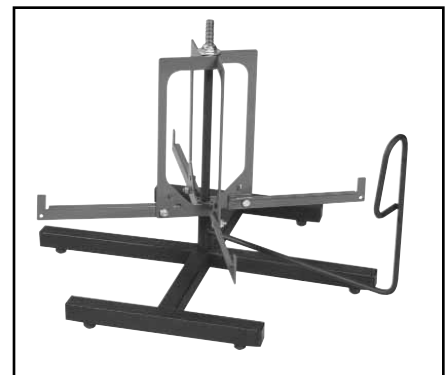
BWC01FFMC

BURNDY® Wire Caddies

Folding Floor Mount Caddy

The BWC01FFMC Folding Floor Mount Caddy is designed for dispensing coiled NM-B or MC. Caddy folds down for compact storage; accepts add-on reel BWC01FAR for additional coils. (Can also be mounted on the BWC24MTHTC.)

Maximum Weight Capacity: 125 lbs.
Capacity: (2) 250' coils of NM-B,
(1) 250' coil of MC
Size: 16" high, 20-3/4" (open),
5" (folded) wide
Weight: 8 lbs.



BWC46RC

BURNDY® Wire Caddies

6 Spindle Reel Caddy

The BWC46RC 6 Spindle Reel Caddy is designed for 2500' reels of #10 AWG and smaller. No hitch pins to lose with (6) 3/4" solid steel spindles under 1" tubing sleeves for easy pay out. Retaining washers to keep reels on spindles. Folds down for compact storage. (2) 4" locking swivel casters and (2) 8" molded rubber wheels.

Maximum Weight Capacity: 750 lbs.
Reel capacity: 14-3/4" traverse, 15" diameter (per spindle)
Size: 40-1/2" high, 33" wide
Weight: 66 lbs.



BWC410RC

BURNDY® Wire Caddies

10 Spindle Reel Caddy

The BWC410RC 10 Spindle Reel Caddy is designed for 2500' reels of #10 AWG and smaller. No hitch pins to lose with (10) 3/4" solid steel spindles under 1" tubing sleeves for easy pay out. Retaining washers to keep reels on spindles. Folds down for compact storage. (2) 4" locking swivel casters and (2) 8" molded rubber wheels.

Maximum Weight Capacity: 1200 lbs.
Reel capacity: 14-3/4" traverse, 15" diameter (per spindle)
Size: 51-1/2" high, 34-1/2" wide
Weight: 91 lbs.



BWC420MSC

BURNDY® Wire Caddies

Multi-Spool Caddy

The BWC420MSC Multi-Spool Caddy is designed for 500' reels of #10 AWG and smaller. No hitch pins to lose with (20) 1/2" solid steel spindles. Retaining washers to keep reels on spindles. Folds down for compact storage. (2) 4" locking swivel casters and (2) 8" molded rubber wheels.

Maximum Weight Capacity: 1000 lbs.
Reel capacity: 14-3/4" traverse, 7" diameter (per spindle)
Size: 45" high, 34-1/2" wide
Weight: 80 lbs.



Blue highlighted items are industry standard and most frequently ordered.

BWC24HTC

BURNDY® Wire Caddies

Hand Truck Caddy

The BWC24HTC Hand Truck Caddy is designed for 500' spools of #10 AWG and smaller. No hitch pins to lose with (4) 1/2" solid steel spindles. (2) 10" x 4" wheels with pneumatic tube tires.

Maximum Weight Capacity: 400 lbs.
Spool capacity: 18" traverse; 6-3/4" diameter (per spindle)
Size: 47" High, 28-1/4" wide, 15-1/2" deep
Weight: 38 lbs.



BWC24HTC

BWC25LHTC, BWC00ADP AND BWC27LHTCADP

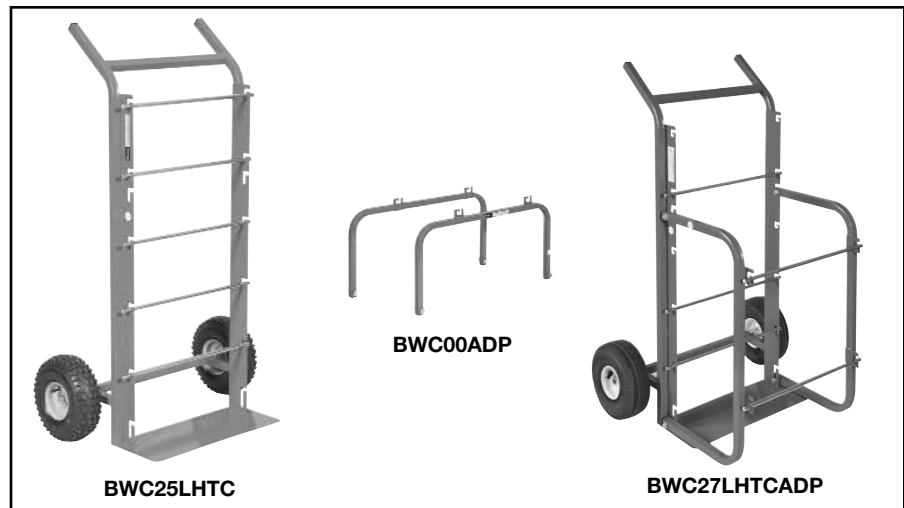
BURNDY® Wire Caddies

Large Hand Truck Caddy

The BWC25LHTC is designed for 500' spools of #10 AWG and smaller. Accommodates larger spools with BWC00ADP attached. No hitch pins to lose with (5) 1/2" solid steel spindles. (2) 8" x 1-1/2" semi pneumatic tires.

BWC25LHTC and BWC00ADP sold separately or combined as BWC27LHTCADP.

Maximum Weight Capacity: 400 lbs.
Spool capacity: 17-1/2" traverse, 7" diameter (per spindle)
With BWC00ADP: Max: 5 x 17-1/2" traverse, 4 x 15", 1 x 12" diameter



BWC25LHTC

BWC00ADP

BWC27LHTCADP

Size: 48" high, 27" wide, 16-1/2" deep
Weight: BWC25LHTC 38 lbs.
 BWC00ADP 9 lbs.
 BWC27LHTCADP 47 lbs.

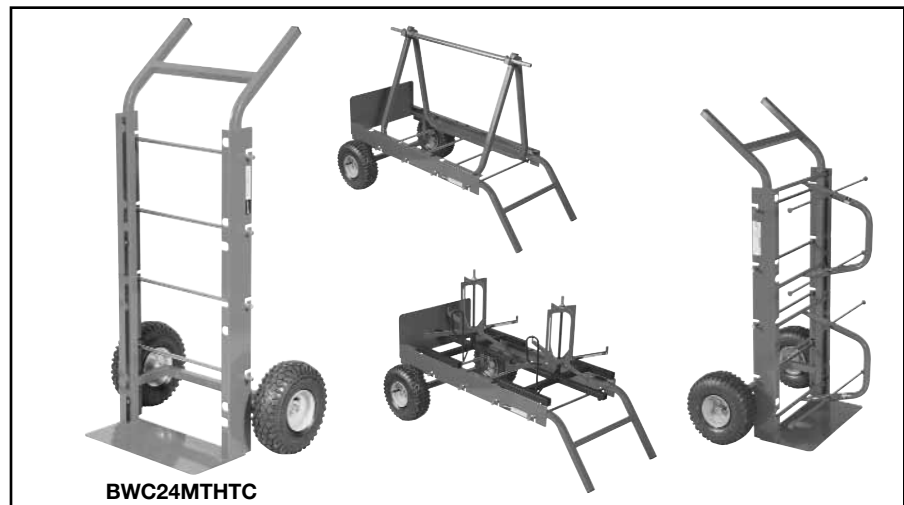
BWC24MTHTC

BURNDY® Wire Caddies

Multi-Task Hand Truck Caddy

The BWC24MTHTC Multi-Task Hand Truck Caddy is designed for 500' spools of #10 AWG and smaller. No hitch pins to lose with (4) 1/2" solid steel spindles, (2) 8 x 1-1/2" semi-pneumatic tires. Base platform to carry (2) BWC04EHC, or (2) BWC01FFMC, or (1) BWC01CMC.

Maximum Weight Capacity: 400 lbs.
Spool capacity: 14" traverse, 6-3/4" diameter (per spindle)
Size: 46" high, 21" wide, 16" deep
Weight: 36 lbs.



BWC24MTHTC

Blue highlighted items are industry standard and most frequently ordered.

BWC00JS

BURNDY® Wire Caddies

Jack Stand

The BWC00JS Jack Stand is designed for:

Maximum Height &

Weight Capacity: 26-1/2" high, 2500 lbs.

Capacity: 26" to 52" reel diameter

Size: 15" high, 20" long, 14-1/2" wide

Weight: 30 lbs. each



Jack Stands are sold individually.
Note: EMT not included.

BWC20PRSF

BURNDY® Wire Caddies

Portable Reel Support Frame

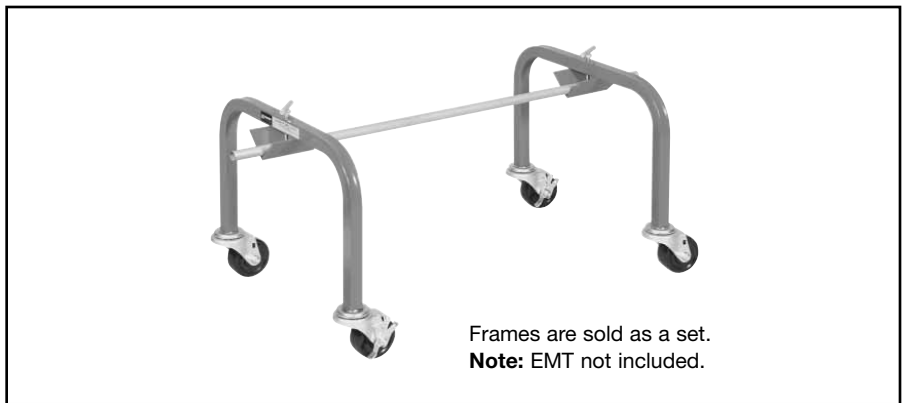
The BWC20PRSF Portable Reel Support Frame is designed to support 1" conduit for multi use spindle. (1) locking swivel caster and (1) swivel caster per frame. Sold in sets of two frames.

Maximum Weight Capacity: 400 lbs.

Capacity: 27" diameter reels, 200 lbs. per frame

Size: 14" high, 17-1/2" wide

Weight: 14 lbs. per set



Frames are sold as a set.
Note: EMT not included.

BWC32DCC

BURNDY® Wire Caddies

Double Coil Caddy

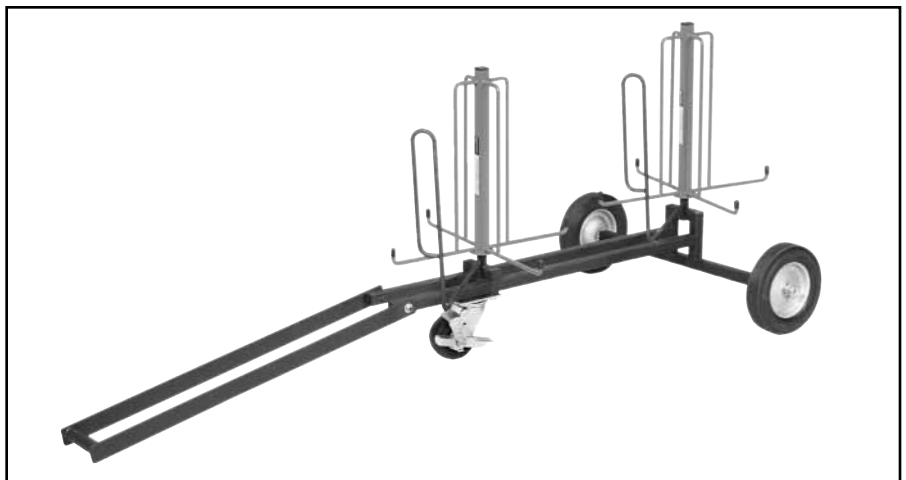
The BWC32DCC Double Coil Caddy is designed for dispensing MC cable from portable cart. (1) locking swivel caster and (2) 8" x 2" molded rubber wheels.

Maximum Weight Capacity: 300 lbs.

Capacity: (2) MC coils per reel

Size: 26" high, 52-1/2" long, 27" wide

Weight: 46 lbs.



N-105

Blue highlighted items are industry standard and most frequently ordered.

BWC40PC

BURNDY® Wire Caddies

Push Cart

The BWC40PC Push Cart is designed with:

- (2) 20-1/2" × 35-1/2" trays
- (2) Pull out supports for ladder transport
- (2) 2" × 4" wheels
- (2) 2" × 4" locking swivel casters

Maximum Weight Capacity: 800 lbs.

Size: 36" high, 44" long, 21" wide

Weight: 81 lbs.



BWC43UC

BURNDY® Wire Caddies

Utility Cart

The BWC43UC Utility Cart is designed with:

- (2) 20-1/2" × 35-1/2" trays
- (2) Pull out supports for ladder transport
- (3) 1/2" solid steel spindles with 16" traverse
- (2) Slots for conduit benders
- (1) Fish tape holder

Trays and bins for fittings and hardware

- (2) 2" × 4" wheels
- (2) 2" × 4" locking swivel casters

Maximum Weight Capacity: 800 lbs.

Size: 36" high, 44" long, 21" wide

Weight: 114 lbs.



BWC43TRC

BURNDY® Wire Caddies

Triple Reel Caddy

The BWC43TRC Triple Reel Caddy is designed for dispensing medium diameter, heavy reels. Great for 1,000' reels of MC or THHN. (3) 3/4" solid steel spindles under 1" tubing sleeves for easy pay out.

Maximum Weight Capacity: 750 lbs.

Capacity: 21" traverse, 36" diameter (per spindle)

Size: 20-1/2" high, 52-1/2" long, 28" wide

Weight: 98 lbs.



Blue highlighted items are industry standard and most frequently ordered.