

PCL-L – Paracyl™ Large Scale

TYPE

- Field adjustable reflector provides cutoff of 70° - 86°
- Optical system locks in position with no resetting required after servicing the lamp or ballast
- Projecting polycarbonate lens (180° wide beam) or flat tempered glass lens (130° wide beam)
- Memory retentive silicone gasket seals out contaminants
- Vandal resistant
- Powder coat finish in 13 standard colors with a polymer primer sealer



PCL-L

1. LUMINAIRE	2. LENS	3. MOUNTING	4. LAMP/BALLAST	5. COLOR	6. OPTIONS				

1. LUMINAIRE

- PCL-L (Paracyl large WT: 40 lbs. EPA: 3.5 IP= 53)

2. LENS

- F (Flat glass lens, 130° beam)
- P (Polycarbonate projecting lens, 180° beam)

3. MOUNTING

- SJO (Surface mount. J-Box by others)
- SJM (Surface mount. J-Box by AAL)
- PM (Post mount. Slips over a 2 3/8" O.D. x 4"/100mm long tenon)
- PM2 (Twin fixture post mount. Slips over a 2 3/8" O.D. x 4"/100mm long tenon)

4. LAMP/BALLAST

PULSE START METAL HALIDE (120/208/240/277 volt ballast)

Mogul base, ED-28 lamp

- 150PSMH 250PSMH 320PSMH
- 350PSMH 400PSMH

HIGH PRESSURE SODIUM (120/208/240/277 volt ballast)

Mogul base, ED-23 1/2 lamp

- 150HPS
- Mogul base, ED-18 lamp
- 200HPS 250HPS 400HPS

All ballasts are factory wired for 277 volts, unless specified. Lamps not included.

5. COLOR

- AWT (Arctic White)
- BLK (Black)
- MTB (Matte Black)
- DGN (Dark Green)
- DBZ (Dark Bronze)
- WRZ (Weathered Bronze)
- BRM (Metallic Bronze)
- VBL (Verde Blue)
- CRT (Corten)
- MAL (Matte Aluminum)
- MDG (Medium Grey)
- ATG (Antique Green)
- LGY (Light Grey)
- RAL/PREMIUM COLOR (Provide RAL)
- CUSTOM COLOR (Provide color chip for matching)

6. OPTIONS

- FS1 (Single fuse holder 120/277/347 volt ballast, specify voltage. Fuse by others)
- FS2 (Double fuse holder 208/240/480 volt ballast, specify voltage. Fuse by others)
- PCR (Twist lock photo control receptacle, not for recessed mounting. Photo cell by others)
- TRH (Tamper-resistant hardware)
- QL (Socket for a T-4 mini-can halogen lamp. Must be field wired to a separate 120 volt circuit. Lamp wattage not to exceed ballast wattage)
- QRS (Quartz restrike controller and socket for a T-4 mini-can halogen lamp. Lamp wattage not to exceed ballast wattage)
- 347V (347 volt ballast 120/277/347 volt ballast)
- 480V (480 volt ballast)

SPECIFICATIONS

HOUSING

Housing shall consist of heavy gauge aluminum construction. (Housing shall be fabricated.) Housing shall include a gasketed, hinged door frame. Door frame shall be heavy-duty cast aluminum and retained by two stainless steel torsion springs when opened for relamping or rotation of the adjustable reflector assembly. All exterior hardware shall be stainless steel.

Projecting lens shall be vandal-resistant, U.V. stabilized injection molded polycarbonate, capable of spreading light horizontally at a full 180° with minimal vertical distortion; flat lens shall be tempered glass, capable of spreading light horizontally at a full 130° with minimal vertical distortion. Lens shall be gasketed and secured from inside the cast aluminum door frame.

ELECTRICAL

Ballast shall be high power factor multi-tap style (120/208/240/277V). All ballasts (except 347V and 480V) are shipped from the factory wired for 277 volt, unless specified.

OPTICAL SYSTEM

Optical system shall be adjustable, sharp cutoff type consisting of a hydroformed specular Alzak® primary reflector with both parabolic and cylindrical reflecting surfaces, auxiliary reflecting elements and a support frame. Reflector assembly shall be rotatable to permit adjustment of cutoff from 70° through 86° above nadir. Internal cutoff scale, calibrated in degrees, shall be provided to indicate the exact cutoff angle.

See next page

JOB _____

TYPE _____

NOTES _____



FINISH

Fixture finish consists of a five stage pretreatment regimen with a polymer primer sealer, oven dry off, and top coated with a thermoset super TGIC polyester powder coat finish. The finish shall meet the AAMA 605.2 performance specification which includes passing a 3000 hour salt spray test for corrosion resistance.

CERTIFICATION

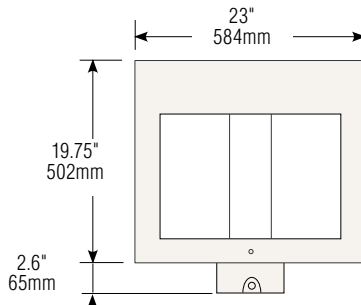
All electrical components and materials shall be U.L. recognized. Fixtures shall be listed with U.L. laboratories for wet location use.

WARRANTY

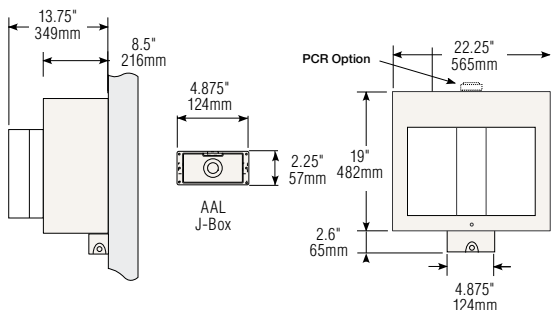
Fixture is warranted for three years. Ballast components carry the ballast manufacturer's limited warranty. Any unauthorized return, repair, replacement or modification of the Product(s) shall void this warranty. This warranty applies only to the use of the Product(s) as intended by AAL and does not cover any misapplication or misuse of said Product(s), or installation in hazardous or corrosive environments. Contact AAL for complete warranty language, exceptions, and limitations.

AAL reserves the right to change product specifications without notice.

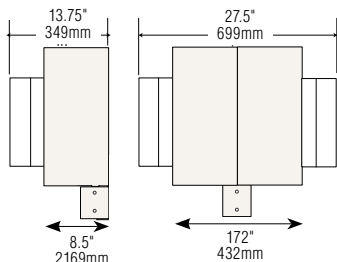
DIMENSIONS



SURFACE MOUNT - SJM



POST MOUNT - PM, PM2



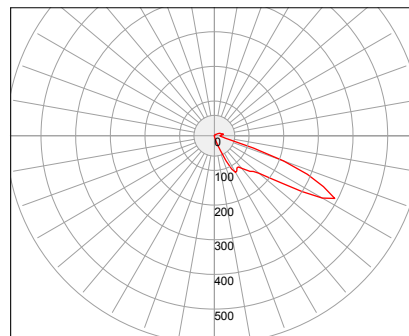
PCL-L1

WATTAGE: 400

LUMEN OUTPUT: 14179

EFFICACY: 100

ZONE	LUMENS	%LAMP	%LUMINAIRE
0 - 30	653	1.6%	4.6%
0 - 40	1985	5.0%	14%
0 - 60	7698	19.2%	54.3%
60 - 90	5537	13.8%	39.1%
0 - 90	13235	33.1%	93.3%
90 - 180	944	2.4%	6.7%
0 - 180	14179	35.4%	100%



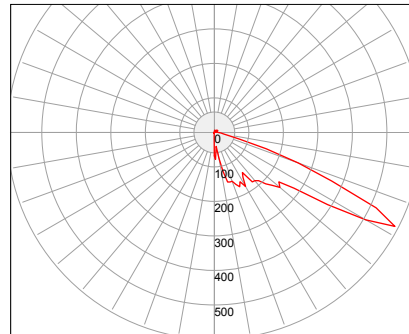
PCL-L2

WATTAGE: 455

LUMEN OUTPUT: 16003

EFFICACY: 87.9

ZONE	LUMENS	%LAMP	%LUMINAIRE
0 - 30	1788	4.5%	11.2%
0 - 40	3311	8.3%	20.7%
0 - 60	9284	23.2%	58%
60 - 90	6129	15.3%	38.3%
0 - 90	15412	38.5%	96.3%
90 - 180	591	1.5%	3.7%
0 - 180	16003	40%	100%



[IES files can be found at www.aal.net](http://www.aal.net)