

9" Horizontal Regressed High Impact Lens Downlight

CFT932HEB

Two 26W, 32W, or 42W Triple Tube 4-Pin Lamps
 Non-IC Rated
 120V, 208V, 240V, 277V, or 347V

DATE: _____ TYPE: _____

FIRM NAME: _____

PROJECT: _____



Ceiling Cutout: 9¹³/₁₆"
 Maximum Ceiling Thickness: 1¹/₄"
 For conversion to millimeters, multiply inches by 25.4
 Not to Scale
 Horizontal EMR Dimension 17-3/4"

Featuring VirtualSource vsReflectors

APPLICATIONS:

The CFT932HEB offers a horizontally lamped compact fluorescent downlight that provides superior brightness and glare control. The multi-watt, multi-volt ballast provides the ability to change wattages by simply changing the lamp. This luminaire is ideal for a wide variety of medium to high ceiling applications including commercial, retail, and hospitality.

HOUSING:

One-piece 18-gauge galvanized steel platform with friction retaining springs to secure optical system. Prewired J-box with snap-on cover for easy below ceiling access. Same housing accommodates downlight and wall wash downlight reflectors.

REFLECTOR:

High purity aluminum Alzak Virtual Source® iridescence suppressed reflector. Self-trim (ST) standard. Painted white self-trim (WT) available.

LENS:

High impact CA-81 equivalent acrylic lens. Lenses are FDA approved for use in food service areas and UL-94 approved with a flammability rating of 94HB.

BALLAST:

One (1) compact fluorescent Class 'P' electronic multi-volt (120V through 277V) ballast suitable for operating 26W, 32W, and 42W triple tube lamps. HPF and EOL protection standard. Accessible from below ceiling. Note: Dimming option may result in fixture containing two (2) ballasts. 347V available (specify wattage when ordering).

LAMP:

Two (2) 26W (GX24q-3 base), 32W (GX24q-3 base), or 42W (GX24q-4 base) 4-pin triple tube compact fluorescent lamps. Lamps furnished by others or as option below.

SOCKET:

Two (2) injection molded sockets suitable for 26W, 32W, and 42W triple tube lamps.

INSTALLATION:

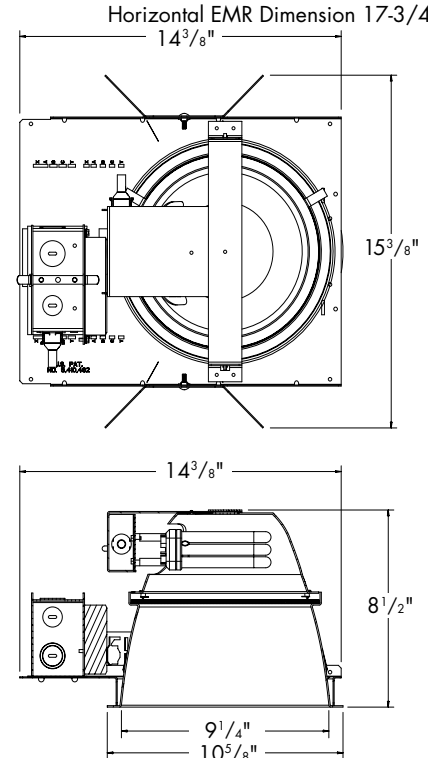
Universal adjustable mounting brackets accommodate 1¹/₂" or 3/4" lathing channel or 1/2" EMT (by others), or Prescolite 24" bar hangers (B24 or B6).

LABELS:

UL listed or UL/CSA listed with CDN option for wet locations. Approved for through wiring. Non-type I.C.

LAMP INCLUDED OPTION:

Specify lamp type T (Triple 4-pin) and temperature as shown below.



CATALOG NUMBER:

EXAMPLE: CFT932HEBDM STF902HCL LP32T30K B24

HOUSING	HOUSING OPTIONS	HOUSING OPTIONS	REFLECTOR	REFLECTOR COLOR	REFLECTOR OPTIONS	ACCESSORIES
<input type="checkbox"/> CFT932HEB¹¹ 9", (2) 26W/32W/42W Triple tube, multi-volt electronic ballast	<input type="checkbox"/> CDN Canadian electrical code compliant ballast disconnect <input type="checkbox"/> CDN 347V⁴ Canadian electrical code compliant ballast disconnect <input type="checkbox"/> CP¹⁰ Chicago Plenum Fixture construction and/or specifications may vary. Refer to Chicago Plenum specification sheets on www.prescolite.com for details. <input type="checkbox"/> DM Electronic Analog Dimming Ballast to 5%, 4-wire, 0-10V (120V-277V) (Specify wattage on two lamp housing) <input type="checkbox"/> ECDM⁵ Lutron EcoSystem or 3-wire line voltage dimming ballast (120-277V). Dims to 5%. <input type="checkbox"/> 2DM^{1, 2, 11} Lutron Tu-Wire Dimming Ballast to 5%, 2-wire (120 volt only; Specify wattage)	<input type="checkbox"/> 7DM¹¹ Advance Mark 7 Dimming Ballast to 3%, 4-wire (120V-277V) (Specify wattage on two lamp housing) <input type="checkbox"/> XDM^{8, 11} Advance Mark 10 Dimming Ballast to 5%, 2-wire (specify voltage/wattage) <input type="checkbox"/> EMR^{1, 7, 8} Emergency battery pack with remote test switch and indicator light (required for lensed reflectors) <input type="checkbox"/> FSDFA Fuse kit installed at factory <input type="checkbox"/> RIF^{1, 7, 8} Radio interference filter (single circuit) <input type="checkbox"/> MW26 Max Wattage label, 26W <input type="checkbox"/> MW32 Max Wattage label, 32W <input type="checkbox"/> SYL³ Osram Sylvania Ballast (available only for standard EB option) <input type="checkbox"/> SMT⁷ Philips Advance SmartMate® ballast	<input type="checkbox"/> STF902H Specular Alzak or Painted Option <hr/> REFLECTOR FINISH <input type="checkbox"/> Blank Specular <input type="checkbox"/> SS Semi Specular <input type="checkbox"/> MFC American Matte™	<input type="checkbox"/> Blank Clear Alzak <input type="checkbox"/> CG Champagne Gold Alzak <input type="checkbox"/> PW Pewter Alzak <input type="checkbox"/> BL Black Alzak <input type="checkbox"/> WE Wheat Alzak <input type="checkbox"/> LW Light Wheat Alzak Painted Options* <input type="checkbox"/> WC White Cone <input type="checkbox"/> BC Black Cone *All painted options come standard with an upper specular clear Alzak reflector.	<input type="checkbox"/> DL⁶ Diffused Lens <input type="checkbox"/> CL⁶ Clear Lens <input type="checkbox"/> PL⁶ Prismatic Lens <input type="checkbox"/> TRG Trim Ring Gasket (Factory Installed) <input type="checkbox"/> WT Painted White Self Flange	<input type="checkbox"/> B24 Set of two (2) bar hangers for T-bar ceilings <input type="checkbox"/> B6 Set of two (2) bar hangers for ceiling joists up to 24" centers <input type="checkbox"/> FSDFI Fuse kit for field installation <input type="checkbox"/> SCA9D Sloped ceiling adapter (see note on back page)
						LAMP ACCESSORIES <input type="checkbox"/> LP -wattage= 26, 32, 42 -type= T (Triple 4-pin) -temp= 27K, 30K, 35K, 41K (Kelvin) *Example: LP32T30K Requires two lamps.



In a continuing effort to offer the best product possible we reserve the right to change, without notice, specifications or materials that in our opinion will not alter the function of the product.
 Web: www.prescolite.com • Tech Support: (888) 777-4832

ARCH-CFL-064

PHOTOMETRIC DATA

Architektür - 9" Horizontal Regressed High Impact Lens Downlight - CFT932HEB

BALLAST DATA	26W Triple			32W Triple			42W Triple		
	120V	277V	347V	120V	277V	347V	120V	277V	347V
Total System Watts	58W	56W	N/A	74W	72W	N/A	96W	94W	N/A
Input Current (Amps)	0.45	0.21		0.61	0.26		0.8	0.35	
Input Frequency in Hz	50/60	50/60		50/60	50/60		50/60	50/60	
Power Factor	>97%	>97%		>97%	>97%		>97%	>97%	
Ballast Factor	>98%	>98%		>98%	>98%		>98%	>98%	
Total Harmonic Distortion	<10%	<10%		<10%	<10%		<10%	<10%	
Minimum Starting Temp.	-18°C (0°F)	-18°C (0°F)		-18°C (0°F)	-18°C (0°F)		-18°C (0°F)	-18°C (0°F)	

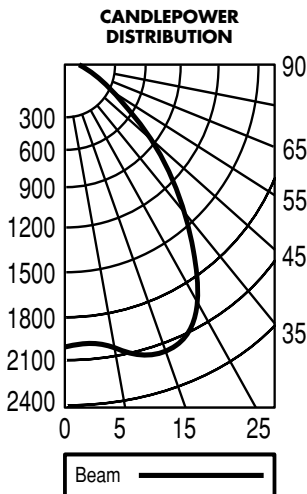
LAMP DATA	26W Triple	32W Triple	42W Triple
Rated Watts	26W Triple	32W Triple	42W Triple
Rated Lumens	1800	2400	3200
Efficacy (LPW)	69	75	76
Rated Life	10,000 hours	10,000 hours	10,000 hours
CRI	82	82	82
Minimum Starting Temp.	0° F	0° F	0° F

LUMINANCE DATA IN CANDELA/SQ. METER

Angle in Vertical	Average
0°	15087
45°	7728
55°	519
65°	188
75°	0
85°	0

CFT932HEB-STF902HCL Clear Alzak Reflector w/clear lens

Lamp: Two 42W Triple
Rated lumens: 3200
Spacing Criteria: 1.1
Efficiency: 46.5%



Test No. 2003109

CANDLEPOWER SUMMARY

Angle	0°
0	2018
5	2047
10	2109
15	2157
20	2125
25	1997
30	1679
35	1204
40	748
45	438
50	261
55	182
60	60
65	9
70	4
75	2
80	1
85	0
90	0

AVERAGE INITIAL FOOTCANDLES

Assumptions:

- Multiple units (square array)
- Ceiling 80%; Wall 50%; Floor 20%
- Four fixtures evenly spaced in the center of the room
- The room is square and has a width and length equal to twice the lamp spacing
- The lumen depreciation factor is 0.8
- The dirt depreciation factor is 0.98

32W Triple

SPACING	RCR1	RCR3	RCR7
7.0	52	44	33
8.0	40	34	25
9.0	31	27	20
10.0	25	21	16
11.0	21	18	13
12.0	18	15	11
13.0	15	13	9
14.0	13	11	8
15.0	11	10	7

COEFFICIENTS OF UTILIZATION

Zonal Cavity Method

Room Cavity Ratio	% Effective Floor Cavity Reflectance																	
	80%					70%					50%							
	20% Effective Floor Cavity Reflectance																	
	% Wall Reflectance																	
	70	50	30	10	70	50	30	10	50	30	10	50	30	10	0			
0	.55	.55	.55	.55	.54	.54	.54	.54	.52	.52	.52	.50	.50	.50	.47	.47	.47	.47
1	.53	.51	.50	.49	.51	.50	.49	.48	.48	.47	.46	.46	.46	.45	.45	.44	.44	.43
2	.50	.47	.45	.43	.48	.46	.44	.43	.45	.43	.42	.43	.42	.41	.42	.41	.40	.39
3	.47	.43	.41	.39	.46	.43	.40	.38	.41	.39	.38	.40	.38	.37	.39	.38	.36	.36
4	.44	.40	.37	.35	.43	.39	.37	.35	.38	.36	.34	.37	.35	.34	.36	.35	.33	.33
5	.41	.37	.34	.32	.40	.36	.34	.31	.36	.33	.31	.35	.33	.31	.34	.32	.31	.30
6	.39	.34	.31	.29	.38	.34	.31	.29	.33	.30	.28	.32	.30	.28	.32	.30	.28	.27
7	.37	.32	.29	.26	.36	.31	.28	.26	.31	.28	.26	.30	.28	.26	.30	.27	.26	.25
8	.34	.30	.26	.24	.34	.29	.26	.24	.29	.26	.24	.28	.26	.24	.28	.26	.24	.23
9	.33	.28	.25	.22	.32	.27	.24	.22	.27	.24	.22	.26	.24	.22	.26	.24	.22	.21
10	.31	.26	.23	.21	.30	.26	.23	.21	.25	.23	.21	.25	.22	.21	.24	.22	.21	.20

CFT932HEB-STF902HCL

Test No. 2003109

NOTES

⊗vs Denotes a Virtual Source reflector.

Refer to www.prescolite.com for additional photometric tests (IES Files).

When ordering a sloped ceiling adapter, specify the degree of slope in 5° increments, max. of 35°. For a more precise degree or wet ceiling applications, please contact factory. Sloped ceiling adapter and housing must be installed at the same time.



Web: www.prescolite.com • Tech Support: (888) 777-4832

701 Millennium Blvd., Greenville, SC 29607 U.S.A. • Phone (864) 678-1000

Copyright ©2015 Prescolite, Inc., a division of Hubbell Lighting, Inc. All Rights Reserved

Specifications subject to change without notice. • Printed in U.S.A. • ARCH-CFL064 • 4/16/15



HUBBELL
Lighting, Inc.