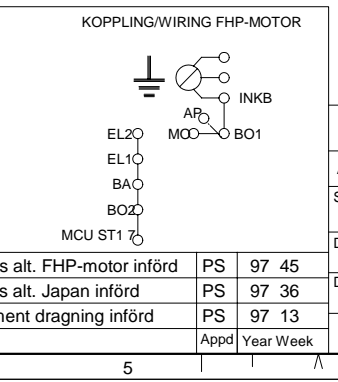
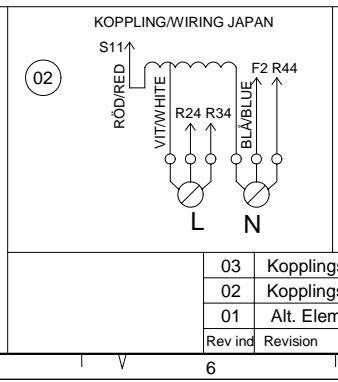
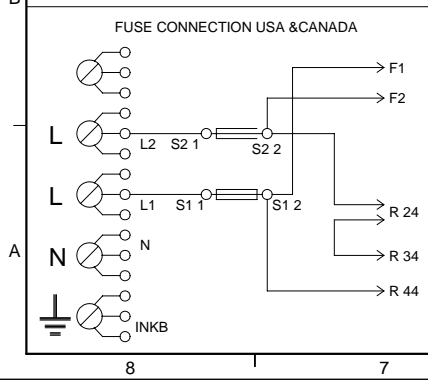
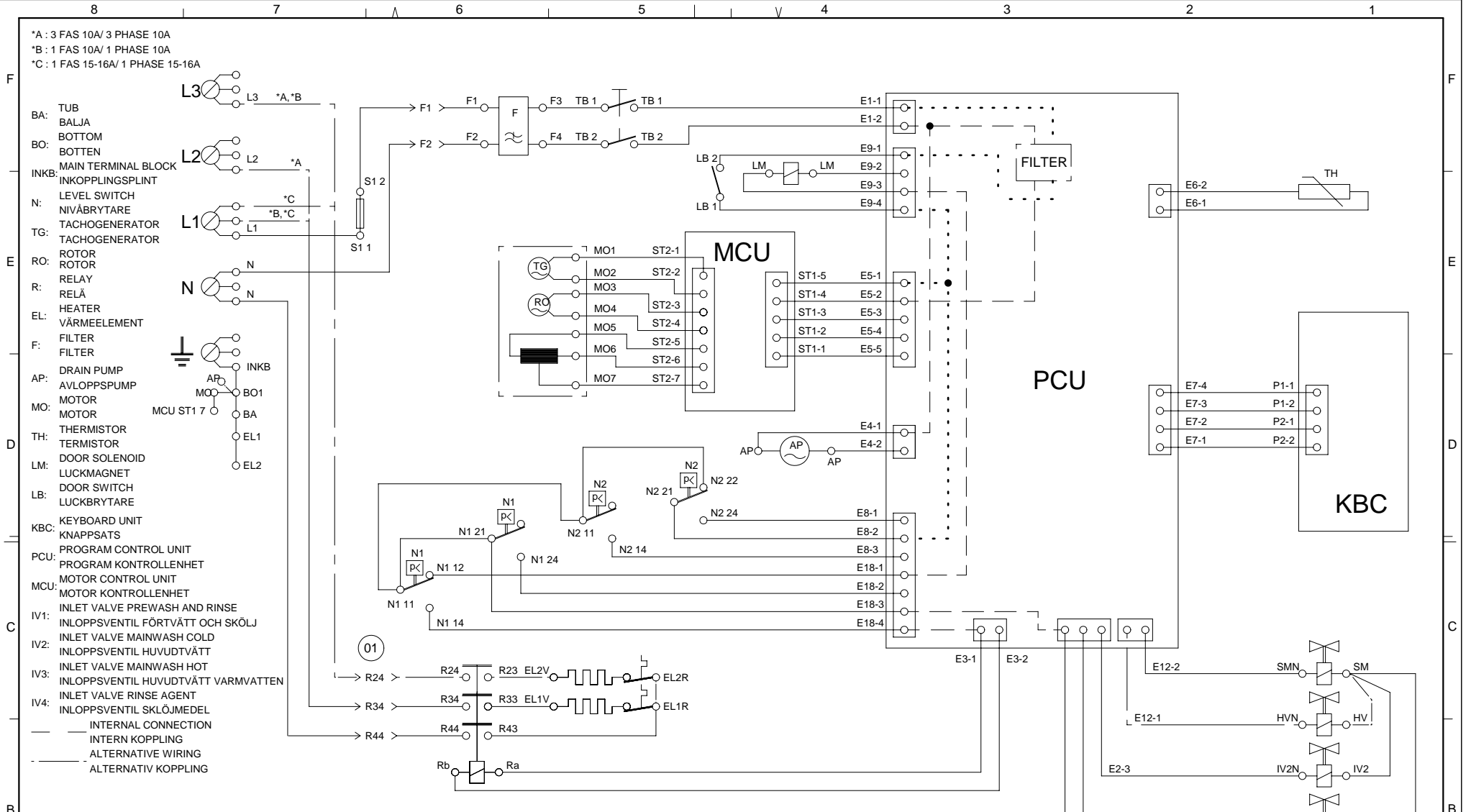


KOMPLETTSCHEMA Nr: 80 615 18



03	Kopplings alt. FHP-motor införd	PS	97 45
02	Kopplings alt. Japan införd	PS	97 36
01	Alt. Element dragning införd	PS	97 13
Rev ind	Revision	Appd	Year Week

Article No.	Name of item	Qty	Material, dimensions, type, etc.
Scale:	Gen.tolerance:	Description(English) CIRCUIT DIAGRAM WM220	
Designed by H.T.	Drawn by CAD	Description(own language) KOPPLINGSSCHEMA WM220	
Drawing checked by	Iss by Dept UT	Year 96	Week 15
ASKO CYLINDA			80 614 86
Rev Ind 03	Replace 8061486 rev02	Replaced by PS	