

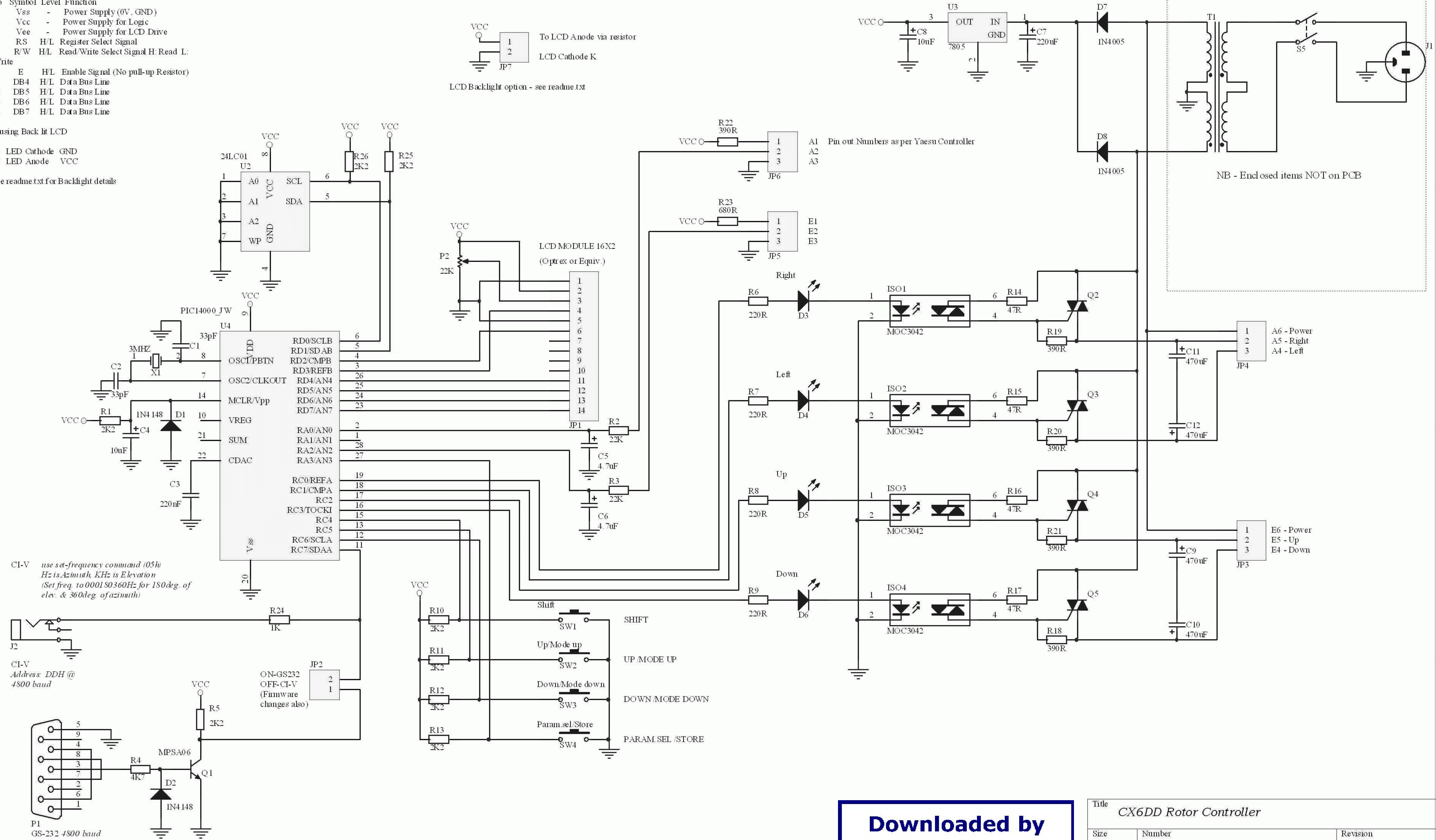
LCD Pin Assignment

No	Symbol	Level	Function
1	V _{ss}	-	Power Supply (0V, GND)
2	V _{cc}	-	Power Supply for Logic
3	V _{ee}	-	Power Supply for LCD Drive
4	R/S	H/L	Register Select Signal
5	R/W	H/L	Read/Write Select Signal H: Read L: Write
6	E	H/L	Enable Signal (No pull-up Resistor)
11	DB4	H/L	Data Bus Line
12	DB5	H/L	Data Bus Line
13	DB6	H/L	Data Bus Line
14	DB7	H/L	Data Bus Line

If using Back lit LCD

15	LED Cathode	GND
16	LED Anode	VCC

See readme.txt for Backlight details



CI-V use set-frequency command (05h)
 Hz is Azimuth, KHz is Elevation
 (Set freq. to 000180360Hz for 180deg. of elev. & 360deg. of azimuth)

CI-V Address: DDH @ 4800 baud

P1 GS-232 4800 baud

LCD Backlight option - see readme.txt

NB - Enclosed items NOT on PCB

**Downloaded by
RadioAmateur.EU**

Title CX6DD Rotor Controller		
Size B	Number	Revision 2.7
Date: 07/01/2003	Sheet of	
File:	Drawn By: S. Blackmore	