

# DALLAS-LPS SERIES

Cat.#

Job

Type



Approvals

## APPLICATIONS

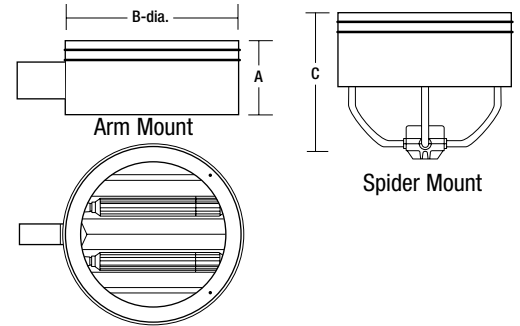
- Superior lighting uniformity is provided for school campuses, financial institutions, walkways, office parks, and auto dealerships.

## SPECIFICATIONS

- Round, spun aluminum housing with embossed decorative band. Optional color vinyl trim stripe available.
- Cast aluminum door with clear, flat tempered glass lens, fully gasketed to housing, secured with hinge and captive screws. Housing with spider mount hinges up, and door with arm mount hinges down for service.
- Specular, anodized aluminum reflector designed for two lamps provides Type V light pattern. IESNA full cutoff classified.
- Extruded aluminum arm required for pole mount. Spider mount has four aluminum tube arms attaching housing to cast slipfitter or 2.375" OD tenon.
- Lamps and lamp support devices included. Enclosed sockets, with nickel-plated brass contacts for single-ended, bayonet base LPS lamps.
- HR type ballast, HPF, starting rated at -20°F.
- Durable Lektrocote® TGIC thermoset polyester powder coat paint finish assures long life and maintenance-free service.

## LISTINGS/CERTIFICATIONS

- UL 1598 and CSA listed for outdoor use in wet locations.
- IDA fixture seal of approval.

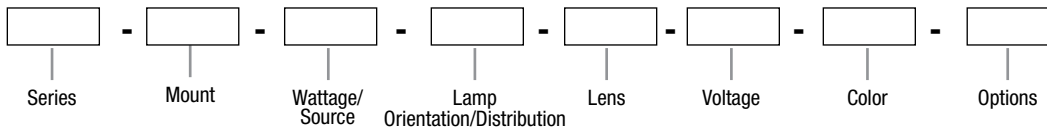


	A	B	C	EPA	Weight
DL3-LPS	10.75"	26"	23.0"	1.5 ft. <sup>2</sup>	65 lbs.
	273 mm	660 mm	584 mm	0.1 m <sup>2</sup>	29.5 kg

NOTE: EPA and weight values do not include mounting arm

## ORDERING INFORMATION

ORDERING EXAMPLE: DL3-A-L55-H5-F-5-PS-F5



### SERIES

**DL3** Dallas 3 - LPS

### MOUNT

**A** Arm Mount (arm not included, order separately)

**ST** Spider Mount (2.375" tenon)

### WATTAGE/SOURCE<sup>1</sup>

#### LOW PRESSURE SODIUM

**L35** 35W (T-17)

**L55** 55W (T-17)

**L90** 90W (T-17)

### LAMP ORIENTATION/DISTRIBUTION

**H5** Horizontal V (square)

### LENS

**F** Flat

### VOLTAGE

**Q** Quad-Tap® - 120/208/240/277V<sup>2</sup>

**T** 120/277/347V CSA<sup>2</sup>

**5** 480V

### COLOR

**DB** Dark Bronze

**BL** Black

**WH** White

**GR** Gray

**PS** Platinum Silver

**RD** Red (premium color)

**FG** Forest Green (premium color)

**CC** Custom Color (consult factory)

### OPTIONS

**F1** Fusing - 120V

**F2** Fusing - 208V

**F3** Fusing - 240V

**F4** Fusing - 277V

**F5** Fusing - 480V

**F6** Fusing - 347V

**PR1** Photo Cell Receptacle - 120V

**PR2** Photo Cell Receptacle - 208V

**PR3** Photo Cell Receptacle - 240V

**PR4** Photo Cell Receptacle - 277V

**PR5** Photo Cell Receptacle - 480V

**PR6** Photo Cell Receptacle - 347V

**RDB** Reveal (Dark Bronze)

**RBL** Reveal (Black)

**RWH** Reveal (White)

**RGR** Reveal (Gray)

**RPS** Reveal (Platinum Silver)

**RRD** Reveal (Red)

**RFG** Reveal (Forest Green)

**VG** Polycarbonate Vandal Guard

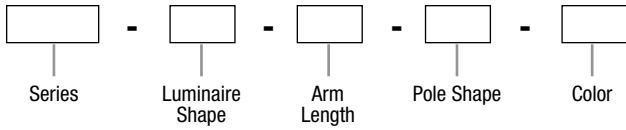
<sup>1</sup> Lamps and lamp support devices included.

<sup>2</sup> Factory wired for highest voltage unless specified.



# ORDERING INFORMATION

ORDERING EXAMPLE ARM: ARM-R-6-S-DB



### SERIES

**ARM** Rigid Arm

### LUMINAIRE SHAPE

**R** Round

### ARM LENGTH

**6** 6" Arm (EPA=0.24 ft<sup>2</sup>, 3.5 lbs)  
(0.02 m<sup>2</sup>, 1.5 kg)

**10** 10" Arm (EPA=0.4 ft<sup>2</sup>, 5.0 lbs)  
(0.03 m<sup>2</sup>, 2.2 kg)

### POLE SHAPE

**#1 DRILL PATTERN FOR POLE**

**S** Square

**R4** Round Straight (4.5")

**R5** Round Straight (5")

**R6** Round Straight (6")

**#2 DRILL PATTERN FOR POLE**

**T2** Round Tapered (2.5")

**T3** Round Tapered (3")

**T35** Round Tapered (3.5")

**T4** Round Tapered & Straight (4")

### COLOR

**DB** Dark Bronze

**BL** Black

**WH** White

**GR** Gray

**PS** Platinum Silver

**RD** Red (premium color)

**FG** Forest Green (premium color)

**CC** Custom Color (consult factory)

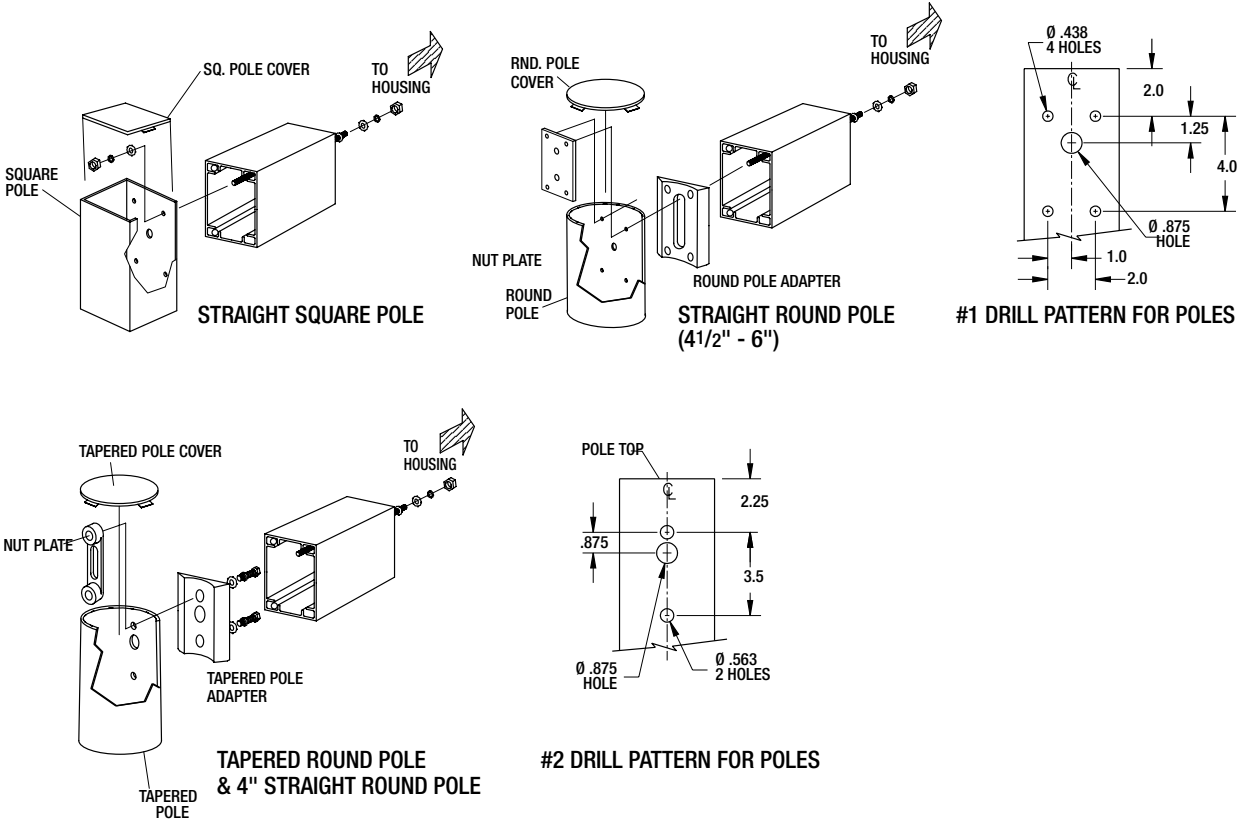
### OPTION

**P(X)** Photobutton (replace X with voltage; 1- 120, 2- 208, 3 240, 4- 277, 6- 347)

Note: Arms for square pole. Adapters needed for other pole shapes.

### WALL BRACKET

**WB-R-XX** Bracket and 6" arm included  
Replace **XX** with color designation



Due to our continued efforts to improve our products, product specifications are subject to change without notice.



Spaulding Lighting • 701 Millennium Boulevard • Greenville, SC 29607 • Phone: 864-678-1000

Due to our continued efforts to improve our products, product specifications are subject to change without notice.

© 2014 SPAULDING LIGHTING, All Rights Reserved • For more information visit our website: [www.spauldinglighting.com](http://www.spauldinglighting.com) • Printed in USA DALLASLPS-SPEC 7/10

