

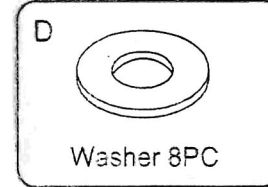
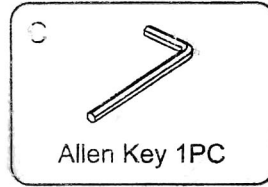
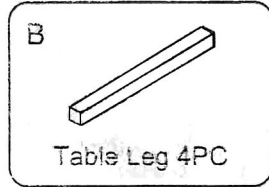
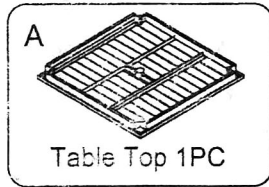
ASSEMBLY INSTRUCTIONS

FDSQTBL36 - SQUARE PATIO TABLE

DISPLAYS2GO

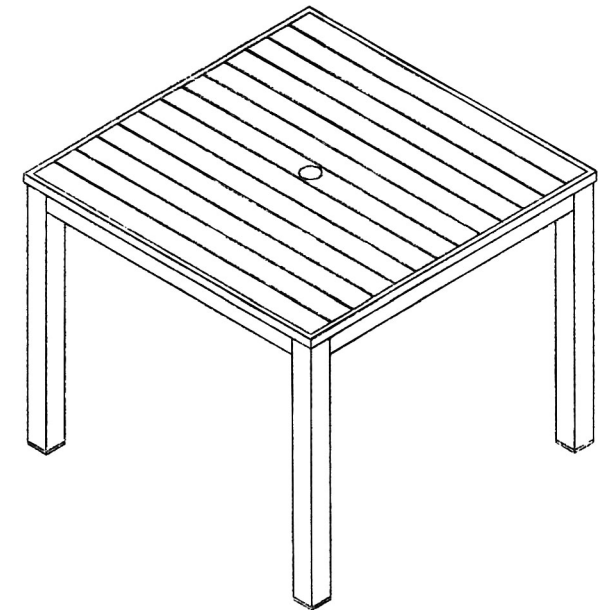
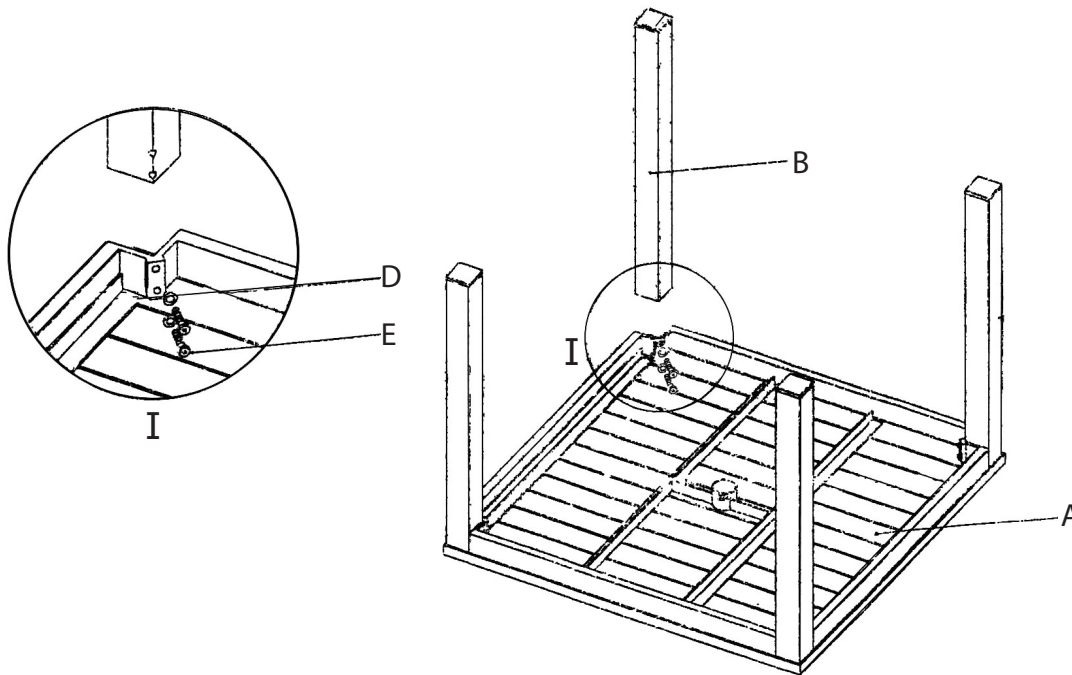
Attention: Before starting assembling, please prepare a soft surface work area on the floor. Carefully remove all parts from package and place them on the soft work area to avoid parts from being scratched. Keep all hardware parts out of reach of children.

Parts List:



1. Place the table top (A) on a flat work area with bottom facing up. Place 1 leg (B) at a corner of the table top with pre-drilled holes aligned. Then secure the leg to the table top with bolts (E) and washers (D) using the allen key (C) provided. Assemble the other 3 legs the same way and tighten all bolts.

2. Carefully lift the assembled table to its upright position. The assembly is finished and the table is ready to use.



Scan QR code to visit the product page:



If you have any questions regarding our products, please visit www.displays2go.com or contact D2G customer service at 844-221-3388.