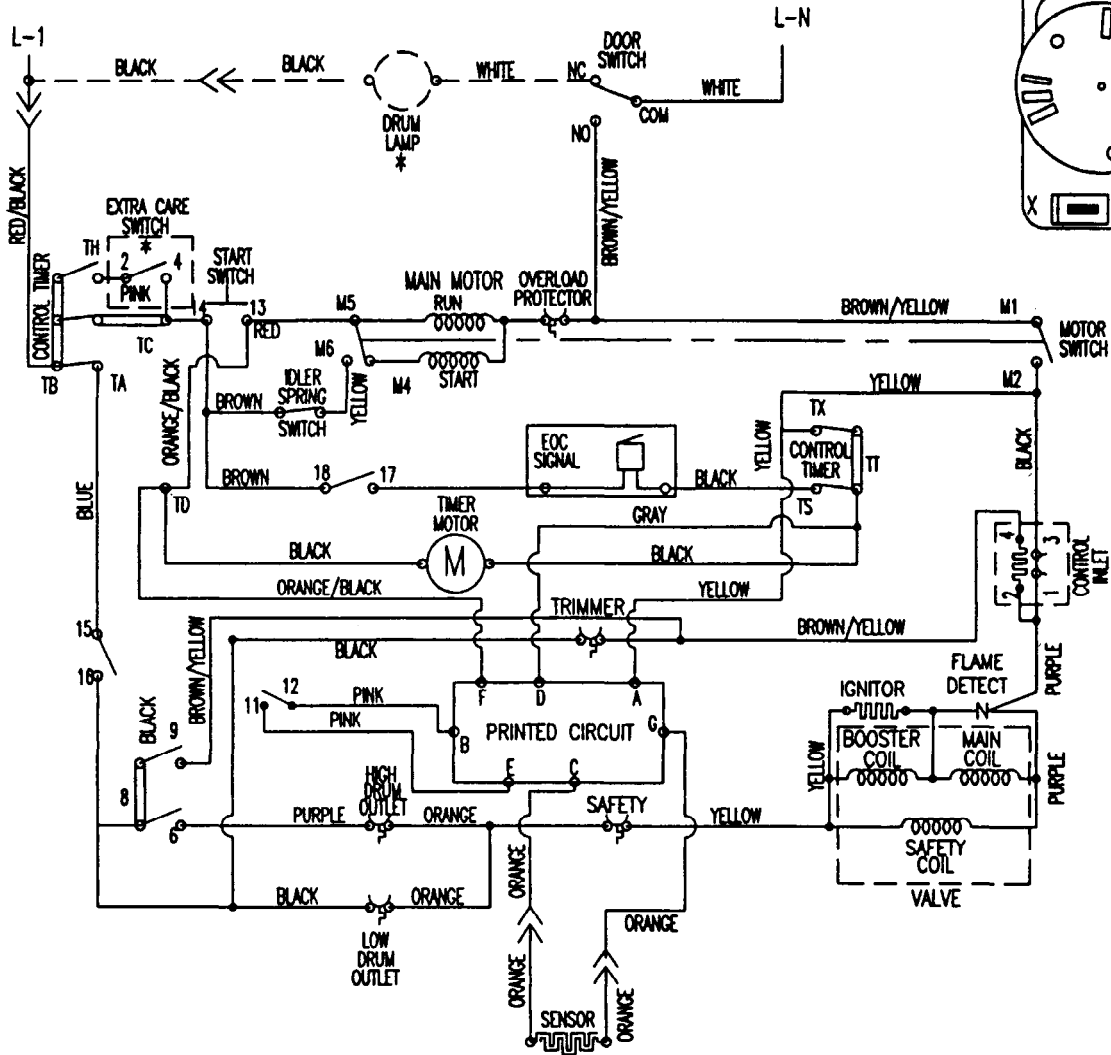


DANGER: DISCONNECT ELECTRIC POWER SUPPLY BEFORE SERVICING

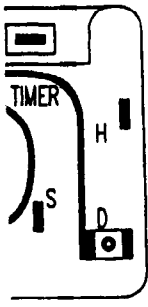
SCHEMATIC



THERMOSTAT	TEMPERATURE °F		TEMPERATURE °C	
	OPEN	CLOSE	OPEN	CLOSE
HIGH DRUM OUTLET	135 ±5	125 ±5	57 ±3	52 ±3
LOW DRUM OUTLET	125 ±5	115 ±5	52 ±3	46 ±4
BIASED CONTROL INLET	210 ±5	180 ±6	99 ±3	82 ±3
TRIMMER	165 ±5	150 ±5	74 ±3	66 ±3
SAFETY	300 ±8	260 ±12	149 ±4	127 ±7

TERMINAL LEGEND
 T- = TIMER
 M- = DRIVE MOTOR
 * = NOT ON ALL MODELS

Sht.



CONTROL TIMER CAM CHART 3607-225 MIN.	MINUTES	OFF	AUTO PERMA PRESS POLY-KNITS	X. CARE	OFF	AUTO DELICATES	X. CARE	NORMAL TIMED CYCLE							OFF	AUTO. NORMAL CYCLE	X. CARE
								70	60	50	40	30	20	10			
A-B (HEATER)		///			///			///	///	///	///	///	///	///	///	///	
B-H (MOTOR)				///		///											///
B-C (MOTOR)		///		///	///	///	///	///	///	///	///	///	///	///	///	///	///
T-X (TIMER)		///		///	///	///	///	///	///	///	///	///	///	///	///	///	///
T-F (TIMER)		///		///	///	///											///
T-S (SIGNAL)		///		///	///	///	///								///		///

CONTROL TIMER

Pub. No. 31-10000

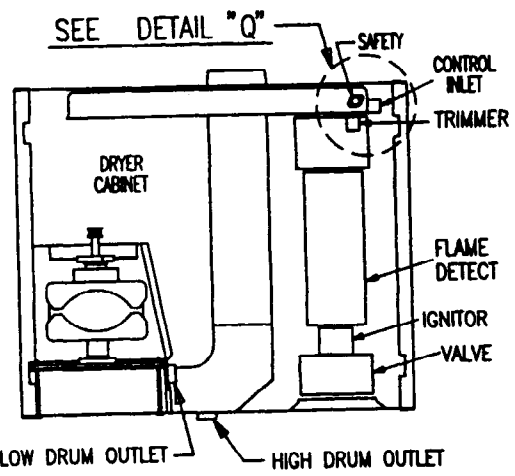
TEMP. SELECTOR SWITCH

	CONTACTS						
	6-8	8-9	15-16	2-4	18-17	13-14	11-12
W A PRESS	X	X	X				X
	X						
CARE				X			
START						M	

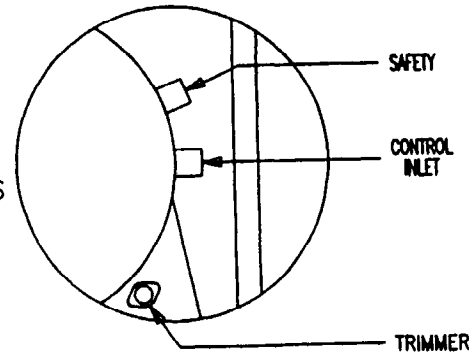
START SWITCH

	CONT.
	1-2
START	M/C

OPTION SW.	TERM.
	2-4
EXTRA CARE	OFF
	ON
	X



DETAIL "Q"
FRONT VIEW OF THERMOSTATS



THERMOSTATS LOCATION

No. 000

572D421P016