

Xerox® WorkCentre® 6025

Color Multifunction Printer

Imprimante multifonction couleur

User Guide

Guide d'utilisation

Italiano Guida per l'utente
Deutsch Benutzerhandbuch
Español Guía del usuario
Português Guia do usuário
Nederlands Gebruikershandleiding

Svenska Användarhandbok
Dansk Betjeningsvejledning
Suomi Käyttöopas
Norsk Brukerhåndbok
Русский Руководство пользователя

Čeština Uživatelská příručka
Polski Przewodnik użytkownika
Magyar Felhasználói útmutató
Türkçe Kullanıcı Kılavuzu
Ελληνικά Εγχειρίδιο χρήστη



© 2015 Xerox Corporation. All rights reserved. Unpublished rights reserved under the copyright laws of the United States. Contents of this publication may not be reproduced in any form without permission of Xerox Corporation.

Copyright protection claimed includes all forms of matters of copyrightable materials and information now allowed by statutory or judicial law or hereinafter granted, including without limitation, material generated from the software programs which are displayed on the screen such as styles, templates, icons, screen displays, looks, and so on.

Xerox® and Xerox and Design®, Phaser®, PhaserSMART®, PhaserMatch®, PhaserCal®, PhaserMeter™, CentreWare®, PagePack®, eClick®, PrintingScout®, Walk-Up®, WorkCentre®, FreeFlow®, SMARTsend®, Scan to PC Desktop®, MeterAssistant®, SuppliesAssistant®, Xerox Secure Access Unified ID System®, Xerox Extensible Interface Platform®, ColorQube®, Global Print Driver®, and Mobile Express Driver® are trademarks of Xerox Corporation in the United States and/or other countries.

Adobe® Reader®, Adobe® Type Manager®, ATM™, Flash®, Macromedia®, Photoshop®, and PostScript® are trademarks of Adobe Systems Incorporated in the United States and/or other countries.

Apple, Bonjour, EtherTalk, TrueType, iPad, iPhone, iPod, iPod touch, Mac and Mac OS are trademarks of Apple Inc., registered in the U.S. and other countries. AirPrint and the AirPrint logo are trademarks of Apple Inc.

HP-GL®, HP-UX®, and PCL® are trademarks of Hewlett-Packard Corporation in the United States and/or other countries.

IBM® and AIX® are trademarks of International Business Machines Corporation in the United States and/or other countries.

Microsoft®, Windows Vista®, Windows®, and Windows Server® are trademarks of Microsoft Corporation in the United States and other countries.

Novell®, NetWare®, NDPS®, NDS®, IPX™, and Novell Distributed Print Services™ are trademarks of Novell, Inc. in the United States and other countries.

SGI® and IRIX® are trademarks of Silicon Graphics International Corp. or its subsidiaries in the United States and/or other countries.

Sun, Sun Microsystems, and Solaris are trademarks or registered trademarks of Oracle and/or its affiliates in the United States and other countries.

McAfee®, ePolicy Orchestrator®, and McAfee ePO™ are trademarks or registered trademarks of McAfee, Inc. in the United States and other countries.

UNIX® is a trademark in the United States and other countries, licensed exclusively through X/Open Company Limited.

PANTONE® and other Pantone, Inc. trademarks are the property of Pantone, Inc.

Document version 1.1: February 2015

BR9751_en-us

Contents

1	Safety	9
	Notices and Safety	10
	Electrical Safety	11
	General Guidelines	11
	Power Cord	12
	Emergency Turn Off	12
	Operational Safety	13
	Operational Guidelines.....	13
	Ozone Release	13
	Printer Location	14
	Printer Supplies.....	14
	Maintenance Safety	15
	Printer Symbols.....	16
	Environmental, Health, and Safety Contact Information.....	17
2	Features	19
	Parts of the Printer	20
	Front View.....	20
	Rear View	21
	Control Panel.....	21
	Information Pages	24
	Printing the Printer Information Pages from Your Computer	24
	Printing the Printer Information Pages from the Control Panel.....	24
	Power Saver Mode.....	25
	Changing Power Saver Mode Settings from the Control Panel	25
	Exiting Power Saver Mode	25
	Administrative Features.....	26
	Changing the Panel Lock Password	26
	Printer Usage Information	26
	CentreWare Internet Services	27
	More Information.....	28
3	Installation and Setup	29
	Installation and Setup Overview.....	30
	Selecting a Location for the Printer	31
	Connecting the Printer.....	32
	Selecting a Connection Method.....	32
	Connecting to a Computer Using USB.....	33
	Connecting to a Wireless Network	33
	Connecting to Wi-Fi Direct	36

Installing the Software.....	37
Operating System Requirements.....	37
Installing the Print Drivers for a Windows Network Printer.....	38
Installing the Print Drivers for a Windows USB Printer.....	38
Installing the Drivers and Utilities for Macintosh OS X Version 10.5 and Later.....	39
Installing Scan Drivers for Macintosh.....	41
Configuring Network Settings.....	42
About TCP/IP and IP Addresses.....	42
Assigning the IP Address of the Printer.....	42
Enabling the Printer for Scanning.....	45
Configuring General Settings Using CentreWare Internet Services.....	46
Viewing Printer Information.....	46
Configuring Tray Settings.....	46
Configuring Printer Defaults.....	47
Resetting the Printer.....	47
Configuring General Setup Using the Control Panel.....	48
Accessing Information About the Printer Using the Control Panel.....	48
Using the Power On Wizard.....	48
Configuring System Settings.....	49
Setting the Paper Size and Type.....	51
Configuring Security Settings Using CentreWare Internet Services.....	52
Opening the Security Menu.....	52
Configuring Administrative Security Settings.....	52
Configuring the Host Access List.....	53
Managing Certificates.....	55
Configuring AirPrint.....	57
Setting Up Scanning.....	58
Scanning Setup Overview.....	58
Setting Up Scanning to a Shared Folder on Your Computer.....	59
Setting Up Scanning to an FTP Server.....	62
Setting Up Scanning to an Email Address.....	63
Setting Up Scanning With USB.....	63
Installing the Printer as a Web Services Device.....	64
4 Paper and Media	65
Supported Paper.....	66
Ordering Paper.....	66
General Paper Loading Guidelines.....	66
Paper That Can Damage Your Printer.....	66
Paper Storage Guidelines.....	67
Supported Paper Types and Weights.....	67
Supported Standard Paper Sizes.....	68
Supported Custom Paper Sizes.....	68
Loading Paper.....	69
Loading Paper.....	69
Loading Paper in the Bypass Tray.....	72

Printing on Special Paper.....	74
Printing Envelopes.....	75
Printing Labels.....	78
Printing on Glossy Cardstock	79
5 Printing	81
Printing Overview.....	82
Selecting Printing Options.....	83
Windows Printing Options	83
Macintosh Printing Options.....	85
Printing from Mobile Devices	86
Printing with AirPrint.....	86
Printing with Xerox® PrintBack	86
Using Custom Paper Sizes.....	87
Defining Custom Paper Sizes.....	87
Printing on Custom Paper Sizes.....	88
Printing on Both Sides of the Paper.....	90
Setting Up 2-Sided Printing.....	90
Loading Paper for Manual 2-Sided Printing.....	91
Printing From a USB Flash Drive	92
6 Copying	93
Making Copies.....	94
Copying an ID Card.....	96
Adjusting Copying Options.....	97
Basic Settings	98
Image-Quality Settings.....	100
Image-Layout Adjustments.....	101
Changing the Default Copy Options	102
Changing the Color Mode.....	102
Changing the Auto Exposure Level	102
Changing the Color Balance	103
7 Scanning	105
Scanning Using the Document Glass.....	106
Loading Documents for Scanning	106
Scanning to a USB Flash Drive.....	107
Scanning to a Folder on a USB Connected Computer.....	108
Scanning to a Shared Folder on a Network Computer	109
Sharing a Folder on a Windows Computer	109
Sharing a Folder Using Macintosh OS X Version 10.5 and Later	110
Adding a Folder as an Address Book Entry Using CentreWare Internet Services.....	111
Scanning to a Folder on a Network Computer.....	111
Scanning to an Email Address.....	112

Scanning to an FTP Server	113
Scanning Images into an Application on a USB Connected Computer	114
Scanning an Image into an Application	114
Scanning an Image Using Windows 8	114
Scanning an Image Using Windows Vista or Windows 7	115
Scanning an Image Using Windows XP	115
Adjusting Scanning Settings	116
Setting the File Format	116
Setting the Color Mode	116
Setting the Scan Resolution	117
Specifying the Original Size	117
Making the Image Lighter or Darker	117
Adjusting the Sharpness	117
Changing the Auto Exposure Level	117
Setting the Margins	118
Changing the Default Scan Settings	119
Setting the Scan to Network Option	119
Setting the File Format	120
Changing the Color Mode	120
Setting the Scan Resolution	120
Setting the Color Button Sets	120
Specifying the Original Size	120
Making the Image Lighter or Darker	121
Adjusting the Sharpness	121
Changing the Auto Exposure Level	121
Setting the Margins	121
Setting the TIFF File Format	122
Setting the Image Compression	122
Setting the Maximum Email Size	122
8 Maintenance	123
Cleaning the Printer	124
General Precautions	124
Cleaning the Scanner	125
Cleaning the Exterior	126
Cleaning the Interior	127
Adjustments and Maintenance Procedures	131
Color Registration	131
Adjusting Paper Type	132
Adjusting the Bias Transfer Roller	132
Adjusting the Fuser	133
Refreshing the Bias Transfer Roller	133
Adjusting the Altitude	133
Toner Cartridges	134
General Precautions	134
Replacing Toner Cartridges	134
Refreshing the Toner	135

Cleaning the Developer.....	135
Ordering Supplies.....	136
Consumables	136
When to Order Supplies	136
Recycling Supplies	136
Managing the Printer	137
Checking Page Counts.....	137
Changing the Panel Lock Password	137
Moving the Printer.....	138
9 Troubleshooting	141
General Troubleshooting.....	142
Printer Does Not Turn On.....	142
Printer Resets or Turns Off Frequently.....	142
Printer Does Not Print	143
Printing Takes Too Long	144
Printer is Making Unusual Noises	144
Condensation has Formed Inside the Printer.....	144
Paper Jams	145
Minimizing Paper Jams	145
Locating Paper Jams	147
Clearing Paper Jams.....	148
Troubleshooting Paper Jams	154
Print-Quality Problems.....	156
Controlling Print Quality	156
Solving Print-Quality Problems.....	157
Getting Help.....	162
Error and Status Messages	162
PrintingScout Alerts	162
Online Support Assistant	162
A Specifications	163
Standard Features.....	164
Physical Specifications.....	165
Dimensions and Weight	165
Total Space Requirements.....	165
Clearance Requirements.....	165
Environmental Specifications.....	166
Temperature	166
Relative Humidity	166
Elevation.....	166
Electrical Specifications.....	167
Power Supply Voltage and Frequency	167
Power Consumption	167
ENERGY STAR Qualified Product	167

Performance Specifications.....	168
Controller Specifications.....	169
Processor.....	169
Memory.....	169
Interfaces.....	169
B Regulatory Information	171
Basic Regulations.....	172
United States FCC Regulations.....	172
Canada.....	172
European Union	173
European Union Lot 4 Imaging Equipment Agreement Environmental Information.....	173
Germany	175
Turkey RoHS Regulation	175
Regulatory Information for 2.4 GHz Wireless Network Adapter.....	176
Copy Regulations	177
United States.....	177
Canada.....	178
Other Countries	179
Material Safety Data Sheets.....	180
C Recycling and Disposal	181
All Countries	182
North America.....	183
European Union.....	184
Domestic/Household Environment	184
Professional/Business Environment	184
Collection and Disposal of Equipment and Batteries.....	185
Battery Symbol Note.....	185
Battery Removal.....	185
Other Countries.....	186

Safety

1

This chapter includes:

- Notices and Safety 10
- Electrical Safety 11
- Operational Safety 13
- Maintenance Safety 15
- Printer Symbols 16
- Environmental, Health, and Safety Contact Information 17

Your printer and the recommended supplies have been designed and tested to meet strict safety requirements. Attention to the following information ensures the continued safe operation of your Xerox printer.

Notices and Safety

Please read the following instructions carefully before operating your printer. Refer to these instructions to ensure the continued safe operation of your printer.

Your Xerox® printer and supplies are designed and tested to meet strict safety requirements. These include safety agency evaluation and certification, and compliance with electromagnetic regulations and established environmental standards.

The safety and environment testing and performance of this product have been verified using Xerox® materials only.

Note: Unauthorized alterations, which can include the addition of new functions or connection of external devices, can affect the product certification. Please contact your Xerox representative for more information.

Electrical Safety

This section includes:

- [General Guidelines](#) 11
- [Power Cord](#)..... 12
- [Emergency Turn Off](#)..... 12

General Guidelines



WARNINGS:

- Do not push objects into slots or openings on the printer. Touching a voltage point or shorting out a part could result in fire or electric shock.
- Do not remove the covers or guards that are fastened with screws unless you are installing optional equipment and are instructed to do so. Turn off the printer when performing these installations. Disconnect the power cord when removing covers and guards for installing optional equipment. Except for user-installable options, there are no parts that you can maintain or service behind these covers.

The following are hazards to your safety:

- The power cord is damaged or frayed.
- Liquid is spilled into the printer.
- The printer is exposed to water.
- The printer emits smoke, or the surface is unusually hot.
- The printer emits unusual noise or odors.
- The printer causes a circuit breaker, fuse, or other safety device to activate.

If any of these conditions occur, do the following:

1. Turn off the printer immediately.
2. Disconnect the power cord from the electrical outlet.
3. Call an authorized service representative.

Power Cord

Use the power cord supplied with your printer.

- Plug the power cord directly into a properly grounded electrical outlet. Ensure that each end of the cord is connected securely. If you do not know if an outlet is grounded, ask an electrician to check the outlet.



WARNING: To avoid risk of fire or electrical shock, do not use extension cords, power strips, or power plugs for more than 90 days. When a permanent outlet receptacle cannot be installed, use only one factory-assembled extension cord of the appropriate gauge per printer or multifunction printer. Always adhere to national and local building, fire, and electrical codes regarding length of cord, conductor size, grounding, and protection.

- Do not use a ground adapter plug to connect the printer to an electrical outlet that does not have a ground connection terminal.
- Verify that the printer is plugged into an outlet that is providing the correct voltage and power. Review the electrical specification of the printer with an electrician if necessary.
- Do not place the printer in an area where people can step on the power cord.
- Do not place objects on the power cord.
- Do not plug or unplug the power cord while the power switch is in the On position.
- If the power cord becomes frayed or worn, replace it.
- To avoid electrical shock and damage to the cord, grasp the plug when unplugging the power cord.

The power cord is attached to the printer as a plug-in device on the back of the printer. If it is necessary to disconnect all electrical power from the printer, disconnect the power cord from the electrical outlet.

Emergency Turn Off

If any of the following conditions occur, turn off the printer immediately and disconnect the power cord from the electrical outlet. Contact an authorized Xerox service representative to correct the problem if:

- The equipment emits unusual odors or makes unusual noises.
- The power cable is damaged or frayed.
- A wall panel circuit breaker, fuse, or other safety device has been tripped.
- Liquid is spilled into the printer.
- The printer is exposed to water.
- Any part of the printer is damaged.

Operational Safety

Your printer and supplies were designed and tested to meet strict safety requirements. These include safety agency examination, approval, and compliance with established environmental standards.

Your attention to the following safety guidelines helps to ensure the continued, safe operation of your printer.

Operational Guidelines

- Do not remove any trays while the printer is printing.
- Do not open the doors when the printer is printing.
- Do not move the printer while is printing.
- Keep hands, hair, neckties, and so on away from the exit and feed rollers.
- Covers, which require tools for removal, protect the hazard areas within the printer. Do not remove the protective covers.
- Do not override any electrical or mechanical interlock devices.
- Do not attempt to remove paper that is jammed deeply inside the product. Switch off the product promptly and contact your local Xerox representative.



WARNING: The metallic surfaces in the fuser area are hot. Always use caution when removing paper jams from this area and avoid touching any metallic surfaces.

Ozone Release

This printer produces ozone during normal operation. The amount of ozone produced is dependent on copy volume. Ozone is heavier than air and is not produced in amounts large enough to harm anyone. Install the printer in a well-ventilated room.

For more information in the United States and Canada, go to www.xerox.com/environment. In other markets, please contact your local Xerox representative or go to www.xerox.com/environment_europe.

Printer Location

- Place the printer on a level, solid, non-vibrating surface with adequate strength to hold its weight. To find the weight for your printer configuration, see [Physical Specifications](#) on page 165.
- Do not block or cover the slots or openings on the printer. These openings are provided for ventilation and to prevent overheating of the printer.
- Place the printer in an area where there is adequate space for operation and servicing.
- Place the printer in a dust-free area.
- Do not store or operate the printer in an extremely hot, cold, or humid environment.
- Do not place the printer near a heat source.
- Do not place the printer in direct sunlight to avoid exposure to light-sensitive components.
- Do not place the printer where it is directly exposed to the cold air flow from an air conditioning system.
- Do not place the printer in locations susceptible to vibrations.
- For optimum performance, use the printer at the elevations specified in [Elevation](#) on page 166.

Printer Supplies

- Use the supplies designed for your printer. The use of unsuitable materials can cause poor performance and a possible safety hazard.
- Follow all warnings and instructions marked on, or supplied with, the product, options, and supplies.
- Store all consumables in accordance with the instructions given on the package or container.
- Keep all consumables away from the reach of children.
- Never throw toner, print/drum cartridges, or toner containers into an open flame.
- When handling cartridges, for example toner and such, avoid skin or eye contact. Eye contact can cause irritation and inflammation. Do not attempt to disassemble the cartridge, which can increase the risk of skin or eye contact.



CAUTION: Use of non-Xerox supplies is not recommended. The Xerox Warranty, Service Agreement, and Total Satisfaction Guarantee do not cover damage, malfunction, or degradation of performance caused by use of non-Xerox supplies, or the use of Xerox supplies not specified for this printer. The Total Satisfaction Guarantee is available in the United States and Canada. Coverage could vary outside these areas. Please contact your Xerox representative for details.

Maintenance Safety













- Do not attempt any maintenance procedure that is not specifically described in the documentation supplied with your printer.
- Clean with a dry lint-free cloth only.
- Do not burn any consumables or routine maintenance items. For information on Xerox® supplies recycling programs, go to www.xerox.com/gwa.



WARNING:

Do not use aerosol cleaners. Aerosol cleaners can cause explosions or fires when used on electromechanical equipment.

Printer Symbols

Symbol	Description
	Warning: Indicates a hazard which, if not avoided, could result in death or serious injury.
	Caution: Indicates a mandatory action to take in order to avoid damage to the property.
	Hot surface on or in the printer. Use caution to avoid personal injury.
	Do not burn the item.
 	Do not expose the imaging unit to light for more than 10 minutes.
	Do not expose the imaging unit to direct sunlight.
	Do not touch the part or area of the printer.
  	Warning: Wait for the printer to cool for the specified time before touching the fuser.
	This item can be recycled. For details, see Recycling and Disposal on page 181.

Environmental, Health, and Safety Contact Information

For more information on Environment, Health, and Safety in relation to this Xerox product and supplies, contact the following customer help lines:

United States and Canada: 1-800-ASK-XEROX (1-800-275-9376)

Europe: +44 1707 353 434

For product safety information in the United States and Canada, go to www.xerox.com/environment.

For product safety information in Europe, go to www.xerox.com/environment_europe.

Features

2

This chapter includes:

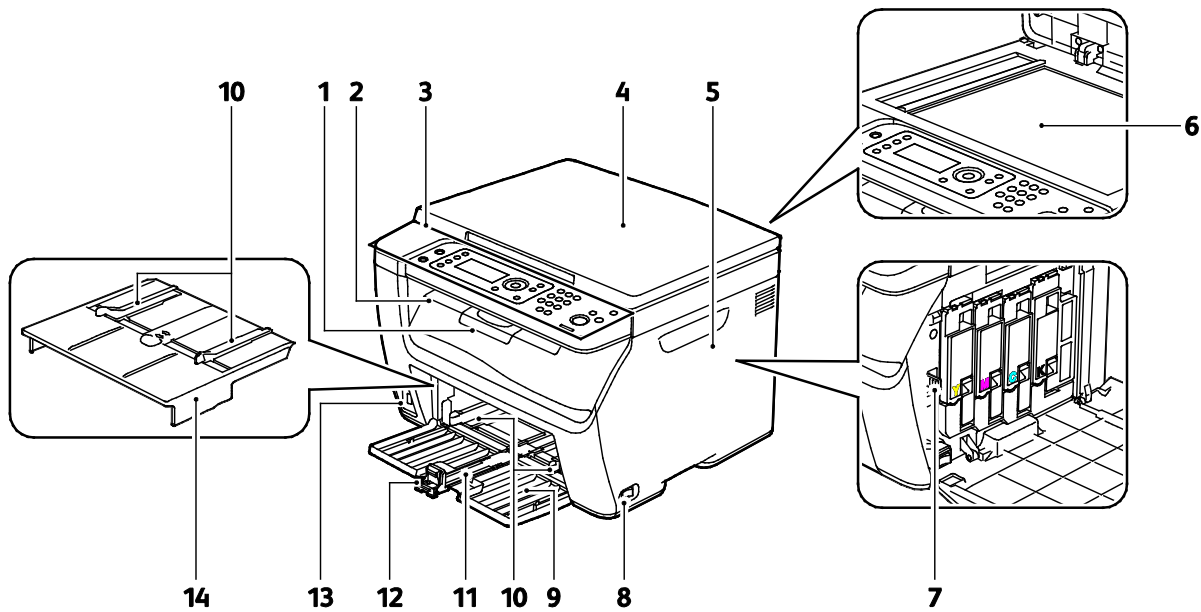
- [Parts of the Printer](#)..... 20
- [Information Pages](#) 24
- [Power Saver Mode](#)..... 25
- [Administrative Features](#)..... 26
- [More Information](#) 28

Parts of the Printer

This section includes:

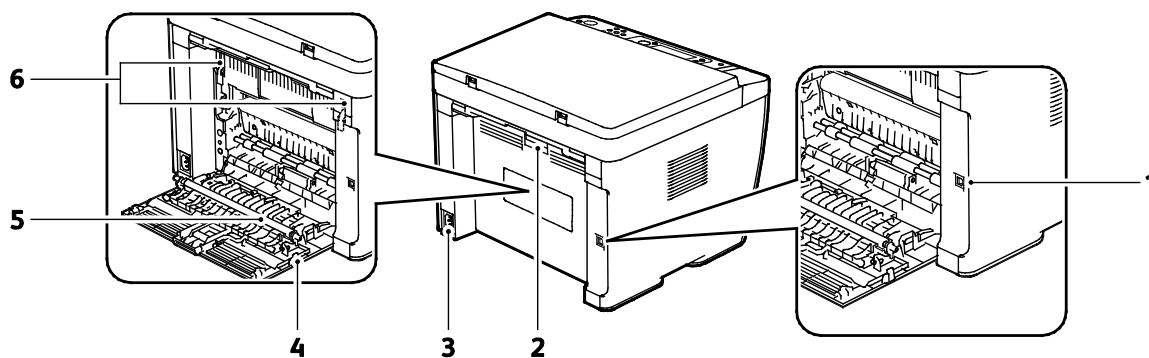
- [Front View](#) 20
- [Rear View](#) 21
- [Control Panel](#) 21

Front View



- | | |
|--------------------------|---------------------|
| 1. Output Tray Extension | 8. Power Switch |
| 2. Output Tray | 9. Paper Tray |
| 3. Control Panel | 10. Width Guides |
| 4. Document Cover | 11. Slide Bar |
| 5. Side Door | 12. Length Guide |
| 6. Document Glass | 13. USB Memory Port |
| 7. Cleaning Rod | 14. Bypass Tray |

Rear View



- | | |
|-----------------------------|--------------------------------|
| 1. USB Port | 4. Rear Door |
| 2. Rear Door Release Button | 5. Transfer Roller |
| 3. Power Connector | 6. Fuser Roller Release Levers |

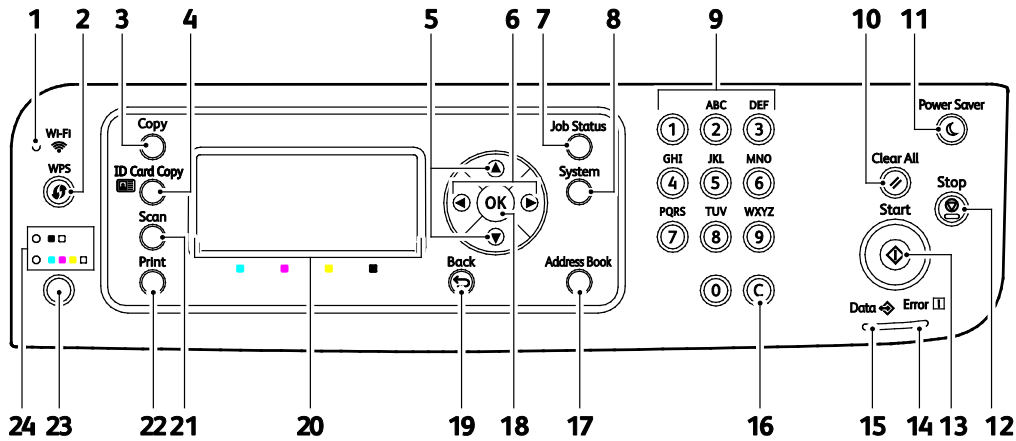
Control Panel

The control panel consists of a display, indicator lights, and buttons you can press to control the functions available on the printer.







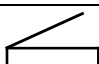

The control panel provides the following:

- Current operating status of the printer
- Access to copy, print, and scan features
- Access to information pages
- Prompts you to load paper, replace supplies, and clear jams
- Displays errors and warnings

Control Panel Buttons and Indicators



Item	Display/Panel Symbol	Name	Description
1		Wi-Fi Light	This light indicates that a wireless connection is established between the printer and the wireless router.
2		WPS Button	To establish a wireless connection, first, press the button on the printer, then press the button on your wireless router.
3		Copy Button	This button provides access to the Copy menu.
4		ID Card Copy Button	This button provides access to the ID Card Copy menu.
5		Up and Down Arrow Buttons	To navigate to the next menu, item, or option, press these buttons.
6		Left and Right Arrow Buttons	To navigate forward and backward through submenus and fields, press these buttons.
7		Job Status Button	This button displays a list of active or completed jobs.
8		System Button	This button switches the display to the System menus.
9		Alphanumeric Keypad	Use these buttons to enter alpha or numeric characters as needed.
10		Clear All Button	This button clears all current settings for printing, copying, or scanning and restores them to the default settings.
11		Power Saver button	This button illuminates when the printer is in Power Saver mode. Pressing this button causes the printer to exit Power Saver mode.
12		Stop Button	This button cancels the current job.

Item	Display/Panel Symbol	Name	Description
13		Start Button	This button starts a copy or scan job.
14		Error Light	This light indicates an error condition or warning that requires your attention.
15		Ready/Data Light	The light appears green when the printer is ready to receive data, and blinks when the printer is busy receiving data.
16		C (clear) Button	This button deletes numeric values or the last digit entered using the alphanumeric keys.
17		Address Book	This button provides access to the address book. This button activates when you access the Scan to E-Mail menu only.
18		OK Button	This button displays the selected menu or selects the current menu option.
19		Back/Return Button	Use this button to navigate to the previous menu item.
20		Display Screen	This screen displays status messages, menus, and toner levels.
21		Scan Button	This button provides access to the Scan menu.
22		Print Button	This button provides access to the Print menu.
23		Color Mode Button	Press the Color Mode button to toggle the selection between color and black and white.
24		Color Mode Lights	These lights indicate which color mode is selected.

Information Pages

Your printer has a printable set of information pages. These pages include configuration, panel settings, error history, and more.

Printing the Printer Information Pages from Your Computer

You can use the Xerox® Office Printing utility included on your installation CD to print the following:

- Configuration Page
- Panel Settings
- Job History
- Error History
- Demonstration Page

To print information pages:

Note: The following procedure is for Windows 7.

1. Click **Start > All Programs > Xerox Office Printing > WorkCentre 6025 > Printer Settings Utility**.
2. Click the **Printer Settings Report** tab.
3. Click **Information Pages**.
4. Select the page that you want to print.

Printing the Printer Information Pages from the Control Panel

1. On the printer control panel, press the **System** button.
2. Navigate to Information Pages, then press **OK**.
3. Navigate to the desired report, then press **OK**.

Power Saver Mode

You can set the time the printer spends idle in ready mode before the printer transitions to a lower power level.

There are two levels of Power Saver mode.

- **Mode 1 (Low Power):** The printer shifts from Ready mode to Low Power mode to reduce standby power consumption.
- **Mode 2 (Sleep):** The printer shifts from Low Power mode to Sleep mode for a greater reduction in power consumption.

Changing Power Saver Mode Settings from the Control Panel

1. On the printer control panel, press the **System** button.
2. Use the Up and Down arrows to navigate to Admin Menu, then press **OK**.
3. Navigate to **System Settings**, then press **OK**.
4. At Power Saver Timer, press **OK**.
5. Select the Power Saver Mode you want to change, then press **OK**.
6. To select the desired time, press the arrow buttons, or enter a value using the numeric keypad.
 - **Power Saver Mode 1 (Low Power):** Set the timer from 1–60 minutes.
 - **Power Saver Mode 2 (Sleep):** Set the timer from 1–60 minutes.
7. Press **OK**.

Exiting Power Saver Mode

The printer exits Power Saver mode automatically when it receives data from a connected device.

To exit Power Saver mode manually, on the control panel, press the **Power Saver** button.

Administrative Features

Changing the Panel Lock Password

The Panel Lock password limits access to the Admin menu.

1. On the printer control panel, press the **System** button.
2. To select **Admin Menu**, press the arrow buttons, then press **OK**.
3. Enter the current four-digit password, then press **OK**.
4. Select **Secure Settings**, then press **OK**.
5. At **Panel Lock**, press **OK**.
6. Select **Change Password**, then press **OK**.
7. Enter a new four-digit password, then press **OK**. The default password is 0000.

Printer Usage Information

The Billing Meters menu shows the number of processed print jobs. You cannot reset the meter readings; they track the total number of pages printed for the life of the printer.

There is a meter for each color mode.

To view the meter readings:

1. On the printer control panel, press the **System** button.
2. Press the arrow buttons to select Billing Meters.
3. Press **OK**.

Meter Number	Display Number
Meter 1	The total number of pages printed in color.
Meter 2	The total number of pages printed in black and white.
Meter 3	This usage meter always displays 0.
Meter 4	The total number of pages printed.

CentreWare Internet Services

CentreWare Internet Services is the administration and configuration software installed on the embedded Web server in the printer. It allows you to configure and administer the printer from a Web browser.

CentreWare Internet Services requires:

- A TCP/IP connection between the printer and the network in Windows, Macintosh, UNIX, or Linux environments.
- TCP/IP and HTTP enabled on the printer.
- A network-connected computer with a Web browser.

Accessing CentreWare Internet Services

At your computer, open a Web browser, in the address field, type the IP address of the printer, then press **Enter** or **Return**.

Finding the IP Address of Your Printer

You can view the IP address of your printer on the Configuration Page.

Logging In to CentreWare Internet Services

When Administrator Mode is enabled, the Jobs, Address Book, Properties, and Support tabs are locked until you enter the administrator user name and password.

To log in to CentreWare Internet Services as the administrator:

1. At your computer, open a Web browser, in the address field, type the IP address of the printer, then press **Enter** or **Return**.
2. Click the **Jobs**, **Address Book**, **Properties**, or **Support** tab.
3. Type the administrator user name.
4. Type your password, then click **Login**.

More Information

You can obtain more information about your printer from these sources:

Resource	Location
<i>Installation Guide</i>	Packaged with the printer.
Other documentation for your printer	www.xerox.com/office/WC6025docs
Technical support information for your printer; including online technical support, Online Support Assistant, and driver downloads.	www.xerox.com/office/WC6025support
Information about menus or error messages	Press the control panel Help (?) button.
Information Pages	Print from the control panel, or from CentreWare Internet Services, click Status > Information Pages .
CentreWare Internet Services documentation	In CentreWare Internet Services, click Help .
Order supplies for your printer	www.xerox.com/office/WC6025supplies
A resource for tools and information, including interactive tutorials, printing templates, helpful tips, and customized features to meet your individual needs.	www.xerox.com/office/businessresourcecenter
Local sales and support center	www.xerox.com/office/worldcontacts
Printer registration	www.xerox.com/office/register
Xerox® Direct online store	www.direct.xerox.com/

Installation and Setup

3

This chapter includes:

- Installation and Setup Overview 30
- Selecting a Location for the Printer..... 31
- Connecting the Printer..... 32
- Installing the Software 37
- Configuring Network Settings 42
- Configuring General Settings Using CentreWare Internet Services 46
- Configuring General Setup Using the Control Panel 48
- Configuring Security Settings Using CentreWare Internet Services 52
- Configuring AirPrint 57
- Setting Up Scanning..... 58
- Installing the Printer as a Web Services Device..... 64

See also:

Installation Guide packaged with your printer.

Online Support Assistant at www.xerox.com/office/WC6025support

Installation and Setup Overview

Before printing, your computer and the printer must be plugged in, turned on, and connected. Configure the initial settings of the printer, then install the print driver software and utilities on your computer.

You can connect to your printer directly from your computer using a USB cable or a wireless network connection.

Note: If the *Software and Documentation disc* is not available, you can download the latest drivers from www.xerox.com/office/WC6025drivers.

See also:

[Selecting a Location for the Printer](#) on page 31

[Choosing a Connection Method](#) on page 32

[Connecting the Printer](#) on page 32

[Configuring Network Settings](#) on page 42

[Installing the Software](#) on page 37

Selecting a Location for the Printer

1. Select a dust-free area with temperatures from 10–32°C (50–90°F), and relative humidity 15–85 %.

Note: Sudden temperature fluctuations can affect print quality. Rapid heating of a cold room can cause condensation inside the printer, directly interfering with image transfer.

2. Place the printer on a level, solid, non-vibrating surface with adequate strength for the weight of the printer. The printer must be horizontal with all four feet in solid contact with the surface. To find the weight for your printer configuration, see [Physical Specifications](#) on page 165.

After positioning the printer, you are ready to connect it to the power source and computer or network.

See also:

[Total Space Requirements](#) on page 165

[Clearance Requirements](#) on page 165

Connecting the Printer

This section includes:

- [Selecting a Connection Method](#) 32
- [Connecting to a Computer Using USB](#) 33
- [Connecting to a Wireless Network](#)..... 33
- [Connecting to Wi-Fi Direct](#)..... 36

Selecting a Connection Method

You can connect to your printer directly from your computer using a USB cable or Wi-Fi Direct, or over a wireless network using WPS. A USB connection is a direct connection and is the easiest to set up. A wireless connection is used for networking. If you are using a network connection, it is important to understand how your computer is connected to the network. For details, see [About TCP/IP and IP Addresses](#) on page 42.

Note: Hardware and cabling requirements vary for the different connection methods. Routers, network hubs, network switches, and modems are not included with your printer and must be purchased separately.

- **Wireless Network:** If your computer includes a wireless router or wireless access point, you can connect the printer to the network with a wireless connection. A wireless network connection provides the same access and services as a wired connection provides. A wireless network connection is typically faster than USB and allows direct access to the setting of the printer using CentreWare Internet Services.
- **USB:** If you connect the printer to one computer and do not have a network, you can use a USB connection.

Note: A USB connection does not provide access to CentreWare Internet Services.

- **Wi-Fi Direct:** You can connect to the printer with a Wi-Fi mobile device using Wi-Fi Direct. Xerox recommends that only one user at a time accesses the printer using Wi-Fi Direct.

Connecting to a Computer Using USB

To use USB, you must have Windows XP SP1 and later, Windows Server 2003 and later, or Macintosh OS X version 10.5 and later.

Note: A USB cable is provided with your printer.

To connect the printer to the computer using a USB cable:

1. Ensure that the printer is turned off.
2. Connect the B end of a standard A/B USB 2.0 cable to the USB Port on the printer.
3. Attach the power cord to the printer, plug the cord into an electrical outlet, then turn on the printer.
4. Connect the A end of the USB cable to the USB port on the computer.
5. If the Windows Found New Hardware Wizard appears, cancel it.
6. Insert the *Software and Documentation disc* into the appropriate drive on your computer.
If the installer does not start automatically, navigate to the drive, and double-click the **Setup.exe** installer file.
7. Click **Setup Printer and Install Software**.
8. At the License Agreement, select **I Agree**, then click **Next**.
9. Click **USB**.
10. To connect your printer and install the print driver and software, select **Personal Installation**, then click **Next**.

Connecting to a Wireless Network

You can connect to a wireless network using the *Software and Documentation disc* included with your printer or from the printer control panel.

Notes:

- You can connect using the 3-click connection method one time on the first installation attempt only.
- WPA2 Enterprise networks are not supported.
- The 3-click connection method is supported for Windows 7 and later only.

Connecting with 3-Click Connection

1. Insert the *Software and Documentation disc* into the appropriate drive on your computer.
If the installer does not start automatically, navigate to the drive, and double-click the **Setup.exe** installer file.
2. Click **Setup Printer and Install Software**.
3. At the License Agreement, select **I Agree**, then click **Next**.
4. On the Select a Connection Method screen, click **Wireless**. If a wireless connection is established, the Xerox Printer Found screen appears.
5. To connect to the wireless network, click **Next**, or click **Connect to a different wireless network**.
6. To complete the installation, click **Finish**.

Note: If a connection is not established, select **Search for Networks** or **WPS**. For details, see [Searching for Networks](#) on page 35 or [Connecting Using WPS](#) on page 34.

Connecting Using Wi-Fi Protected Setup (WPS)

1. Insert the *Software and Documentation disc* into the appropriate drive on your computer.
If the installer does not start automatically, navigate to the drive, and double-click the **Setup.exe** installer file.
2. Click **Setup Printer and Install Software**.
3. At the License Agreement, select **I Agree**, then click **Next**.
4. On the Select a Connection Method screen, click **Wireless**.
5. Click **WPS**.
6. At the prompt, press and hold the WPS button on the printer for two seconds.
7. After you press the WPS button on the printer, within two minutes, press and hold the WPS button on your wireless router for two seconds.
8. After you press both buttons, click **Next**.
9. In the printer list, select your printer.

Note: You can name your printer and choose to share it on the network or set it as your default printer.

10. In the Software and Documentation window, clear the check box for any undesired options.
11. Click **Next**.
12. To complete the installation, click **Finish**.

Connecting Using Searching for Networks

1. Insert the *Software and Documentation disc* into the appropriate drive on your computer. If the installer does not start automatically, navigate to the drive, and double-click the **Setup.exe** installer file.
2. Click **Setup Printer and Install Software**.
3. At the License Agreement, select **I Agree**, then click **Next**.
4. On the Select a Connection Method screen, click **Wireless**.
5. On the Select a Wireless Setup Method screen, click **Search for Networks**.
6. Ensure that the USB cable is connected properly.
7. Select a network, then click **Next**.
8. Enter the passphrase for your wireless network, then click **Next**.
9. On the Configure Printer screen, click **Next**, or to configure IP settings manually, click **Advanced**.
10. At the prompt, remove the USB cable from the printer, then click **Next**.
11. In the printer list, select your printer.

Note: You can name your printer and choose to share it on the network or set it as your default printer.

12. Select **Install printer driver**, then click **Next**.
13. In the Software and Documentation window, clear the check box for any undesired options.
14. Click **Next**.
15. To complete the installation, click **Finish**.

Connecting to a Wireless Network from the Control Panel

You can connect your printer directly to a wireless network from the printer control panel. You do not require a computer to connect your printer to the network.

To connect using automatic SSID setup:

1. At the printer control panel, press the Menu button.
2. Use the Up and Down arrows to navigate to Admin Menu, then press **OK**.
3. Navigate to Network, then press **OK**.
4. Navigate to Wireless Setup, then press **OK**.
5. Select the desired network, then press **OK**.
6. Enter the passcode or WEP key, then press **OK**.

To connect using manual SSID setup:

1. At the printer control panel, press the Menu button.
2. Use the Up and Down arrows to navigate to Admin Menu, then press **OK**.
3. Navigate to Network, then press **OK**.
4. Navigate to Wireless Setup, then press **OK**.
5. Navigate to Manual Setup, then press **OK**.
6. Enter the network SSID, then press **OK**.
7. For Network Mode, select an option, then press **OK**.
8. Enter the passcode or WEP key, then press **OK**.

Connecting to Wi-Fi Direct

You can connect to your printer from a Wi-Fi mobile device, such as a tablet, computer, or smart phone, using Wi-Fi Direct.

Note: Wi-Fi Direct is disabled by default.

Connecting with Wi-Fi Direct from Your Mobile Device

To connect with Wi-Fi Direct, follow the directions provided with your mobile device.

Installing the Software

This section includes:

- [Operating System Requirements](#) 37
- [Installing the Print Drivers for a Windows Network Printer](#) 38
- [Installing the Print Drivers for a Windows USB Printer](#) 38
- [Installing the Drivers and Utilities for Macintosh OS X Version 10.5 and Later](#) 39
- [Installing Scan Drivers for Macintosh](#) 41

Before installing driver software, verify that the printer is plugged in, turned on, connected correctly, and has a valid IP address. The IP address usually appears in the upper right corner of the control panel. If you cannot find the IP address, see [Finding the IP Address of Your Printer](#) on page 27.

If the *Software and Documentation disc* is not available, download the latest drivers from www.xerox.com/office/WC6025drivers.

Operating System Requirements

- Windows XP SP1 and later, or Windows Server 2003 and later
- Macintosh OS X version 10.4 or later

Installing the Print Drivers for a Windows Network Printer

1. Insert the *Software and Documentation disc* into the appropriate drive on your computer. If the installer does not start automatically, navigate to the drive, and double-click the **Setup.exe** installer file.
2. Click **Install Software**.
3. At the License Agreement, select **I Agree**, then click **Next**.
4. Select **Network Installation**, then click **Next**.
5. From the list of discovered printers, select your printer, then click **Next**.

Notes:

- When installing drivers for a network printer, if you do not see your printer in the list, click the **IP Address or DNS Name** button. In the IP Address or DNS Name field, type the IP address of your printer, then click **Search** to locate your printer. If you do not know the IP address of the printer, see [Finding the IP Address of Your Printer](#) on page 27.
 - To enable continued use of the printer even if the IP Address assigned by the DHCP server changes, you can use the installer or CentreWare Internet Services.
6. In the printer list, select your printer.
Note: You can name your printer and choose to share it on the network or set it as your default printer.
 7. Click **Next**.
 8. In the Software and Documentation window, clear the check box for any undesired options.
 9. Click **Next**.
 10. To complete the installation, click **Finish**.

Installing the Print Drivers for a Windows USB Printer

1. Insert the *Software and Documentation disc* into the appropriate drive on your computer. If the installer does not start automatically, navigate to the drive, and double-click the **Setup.exe** installer file.
2. Click **Install Software**.
3. At the License Agreement, select **I Agree**, then click **Next**.
4. To install the printer support software, select **Software**, then click **Next**.
5. In the Software and Documentation window, clear the check box for any undesired options.
6. Click **Next**.
7. To complete the installation, click **Finish**.

Installing the Drivers and Utilities for Macintosh OS X Version 10.5 and Later

This section includes:

- [Installing the Print Driver](#)..... 39
- [Adding the Printer](#)..... 40
- [Utilities](#) 40

To access all features of the printer, you must:

1. Install the print driver.
2. Add the printer.

Note: Before you install the print driver, verify that the printer is plugged in, turned on, and connected to an active network or by USB.

Installing the Print Driver

1. Insert the *Software and Documentation disc* into the appropriate drive on your computer.
Note: If the *Software and Documentation disc* is not available, you can download the latest drivers from www.xerox.com/office/WC6025drivers.
2. Double-click **WorkCentre 6025 Installer**.
3. At the Introduction installer window, click **Continue**.
4. At the License Agreement, select **I Agree**, then click **Next**.
5. Select the destination disk, then click **Continue**.
6. To change the location of the driver installation, click **Change Install Location**.
7. Click **Install**.
8. If prompted, enter your password, then click **OK**.
9. Click **Continue Installation**.
10. To complete the installation and restart your computer, when the print driver finishes installing, click **Restart**.

Adding the Printer

For networking, set up your printer using Bonjour (Rendezvous), or connect using the IP address of your printer for an LPD/LPR connection. For a non-network printer, create a desktop USB connection.

To add the printer using Bonjour:

1. From the computer Applications folder or from the dock, open **System Preferences**.
2. Click **Print & Fax**.
The list of printers appears on the left of the window.
3. Click the plus button (+) under the list of printers.
4. Click the **Default** icon at the top of the window.
5. Select your printer from the list and click **Add**.

Note: If your printer was not detected, verify that the printer is on and that the Ethernet or USB cable is connected properly.

To add the printer by specifying the IP address:

1. From the computer Applications folder or from the dock, open **System Preferences**.
2. Click **Print & Fax**.
The list of printers appears on the left of the window.
3. Click the plus button (+) under the list of printers.
4. Click **IP**.
5. From the Protocol drop-down menu, select the protocol.
6. In the Address field, enter the IP address of the printer.
7. In the Name field, enter a name for the printer.
8. From the Print Using drop-down list, choose **Select a driver to use**.
9. Select the print driver for your printer model from the list.
10. Click **Add**.

Now you can print and scan. For details, see [Printing](#) on page 81 and [Scanning](#) on page 105.

See also:

Online Support Assistant at: www.xerox.com/office/WC6025support

Utilities

The Address Book Editor and Express Scan Manager are installed automatically when you install the scan driver. For details, see [Installing the Drivers and Utilities for Macintosh OS X Version 10.5 and Later](#) on page 39.

Installing Scan Drivers for Macintosh

1. Insert the *Software and Documentation disc* into the appropriate drive on your computer.
2. To view the **.dmg** file for your printer, double-click the disc icon on your desktop.
3. Open the **Scan Installer.dmg** file, then navigate to the appropriate installer file for your operating system.
4. Open the **Scan Installer** package file.
5. To acknowledge the warning and introductory messages, click **Continue**.
6. To accept the license agreement, click **Continue**, then click **Agree**.
7. Click **Continue** again.
8. Enter your password, then click **OK**.
9. If prompted to close other installations, click **Continue Installing**.
10. To restart, click **Log Out**.

Configuring Network Settings

This section includes:

- [About TCP/IP and IP Addresses.....](#) 42
- [Assigning the IP Address of the Printer.....](#) 42
- [Enabling the Printer for Scanning.....](#) 45

About TCP/IP and IP Addresses

Computers and printers use TCP/IP protocols to communicate over a network. Macintosh computers use either TCP/IP or the Bonjour protocol to communicate with a network printer. For Macintosh OS X systems, TCP/IP is preferred.

With TCP/IP protocols, each printer and computer must have a unique IP address. Many networks as well as cable and DSL routers have a DHCP server. A DHCP server assigns an IP address to every computer and printer on the network that is configured to use DHCP, automatically.

If you are connected to the Internet using cable or DSL, check with your carrier for information on IP addressing.

Assigning the IP Address of the Printer

By default, the printer receives an IP address from a DHCP server over a TCP/IP network. Network addresses assigned by DHCP are temporary. Once the addresses expire, the network can assign a new one.

To assign a static IP address for your printer, you can use the wireless connection method on the installer disk.

Notes:

- You can view the IP address of your printer on the Configuration Page.
- To enable continued use of the printer even if the IP Address assigned by the DHCP server changes, you can use the installer or CentreWare Internet Services.

Assigning the IP Address Automatically

1. On the printer control panel, press the **System** button.
2. To select **Admin Menu**, press the arrow buttons, then press **OK**.
3. At **Network**, press **OK**.
4. To select **TCP/IP**, press the **Down** Arrow button, then press **OK**.
5. To select **IPv4**, press the arrow buttons, then press **OK**.
6. At **Get IP Address**, press **OK**.
7. To select **DHCP/AutoIP**, press the arrow buttons, then press **OK**.
8. To return to the Ready screen, press **Return**.

Assigning the IP Address Manually

You can assign a static IP address to your printer from the printer control panel. Once an IP address is assigned, you can change it using CentreWare Internet Services.

To assign a static IP address to the printer, you need the following information:

- An IP address properly configured for your network
- The Network Mask address
- The default Router/Gateway address

If you are on a network managed by a network administrator, contact your network administrator to obtain the network information.

For a home network using routers or other devices to connect the printer to the network, refer to the device instructions on assigning network addresses. The router or device documentation can give you a range of acceptable address numbers you can use. It is important that the addresses be similar to the IP addresses used by other printers and computers on the network, but not the same. Only the last digit must be different. For example, your printer can have the IPv4 address 192.168.1.2 while your computer has the IP address 192.168.1.3. Another device can have the IP address 192.168.1.4.

The router could assign the static IP address of the printer to another computer that obtains its IP address dynamically. To avoid having the IP address reassigned, give the printer an address at the higher end of the range allowed by the router or device. For example, if your computer has IP address 192.168.1.2, and your device allows IP addresses to 192.168.1.25, select an address between 192.168.1.20 and 192.168.1.25.

In IPv6 network configurations, the IPv6 address is assigned automatically.

To assign a static IP address to the printer:

1. On the printer control panel, press the **System** button.
2. To select **Admin Menu**, press the arrow buttons, then press **OK**.
3. To select **Network**, press the arrow buttons, then press **OK**.
4. To select **TCP/IP**, press the **Down** Arrow button, then press **OK**.
5. To select **IPv4**, press the arrow buttons, then press **OK**.
6. At **Get IP Address**, press **OK**.
7. To select **Panel**, press the arrow buttons, then press **OK** to enable this option.
8. To return to the IPv4 menu, press **Return** once.
9. To select **IP Address**, press the arrow buttons, then press **OK**.
When undefined, the address is 000.000.000.000.
10. Set the IP address:
 - a. In the first field, press the arrow buttons, or use the alphanumeric keypad, to enter the desired number.
 - b. To move to the next field, press the **Forward** Arrow, then enter the desired number.
 - c. Move to the next two fields and enter the desired numbers.

Note: To scroll quickly to a number, press the **Up** or **Down** Arrow. To return to a field, press the **Back** Arrow.
 - d. When finished, press **OK** to confirm the address.
11. To return to IP Address, press the **Back** Arrow once.
12. To select **Network Mask**, press the **Down** Arrow, then press **OK**. Repeat step 10 to set the Network Mask address.
13. To return to Network Mask, press the **Back** Arrow once.
14. To select **Gateway Address**, press the **Down** Arrow, then press **OK**. Repeat step 10 to set the Gateway Address.
15. To return to the Ready screen, press **Return**.
16. Print the System Settings Page to verify the new settings.
You are ready to install software.

See also:

Online Support Assistant at: www.xerox.com/office/WC6025support

Changing the IP Address Using CentreWare Internet Services

To change the IP address of the printer using CentreWare Internet Services:

1. At your computer, open a Web browser, in the address field, type the IP address of the printer, then press **Enter** or **Return**.

Note: If you do not know the IP address of your printer, see [Finding the IP Address of Your Printer](#) on page 27.

2. Click the **Properties** link.
If the Protocols link is not expanded under Properties, scroll to the Protocols link and expand it.
3. Click **TCP/IP**.
4. In the IPv4 section of the page, make the desired changes. For example, to change the way the printer acquires the IP address, in the Get IP Address field, select a method from the drop-down list.
5. After changing the address information, scroll to the bottom of the page and click **Save Changes**.

Changing the IP Address Using the Installer with USB

1. From your installer disk, click **Setup Printer and Install Software**.
2. At the License Agreement, select **I Agree**, then click **Next**.
3. On the Select a Connection Method screen, click **Wireless**.
4. On the Select a Wireless Setup Method screen, click **Search for Networks**.
5. Ensure that the USB cable is connected properly.
6. Select a network, then click **Next**.
7. Enter the passphrase for your wireless network, then click **Next**.
8. For the Configure Printer screen, click **Advanced**.
9. For the IP Address Settings screen, modify the settings as needed then, click **Next**.
10. At the prompt, remove the USB cable from the printer, then click **Next**.
11. In the printer list, select your printer.
12. In the Software and Documentation window, clear the check box for any undesired options.
13. Click **Next**.
14. To complete the installation, click **Finish**.

Enabling the Printer for Scanning

If the printer is connected to a network, you can scan to an FTP address, an email address, or a shared folder on your computer. First you must set up scanning in CentreWare Internet Services. For details, see CentreWare Internet Services.

If the printer is connected with a USB cable, you can scan to a folder on your computer, or scan into an application. First you must install the scan drivers and the Express Scan Manager utility.

Note: If your printer is connected using the USB cable, you cannot scan to an email address or a network location, such as a shared folder on your computer.

For details, see [Scanning Setup Overview](#) on page 58.

Configuring General Settings Using CentreWare Internet Services

This section includes:

- [Viewing Printer Information](#) 46
- [Configuring Tray Settings](#) 46
- [Configuring Printer Defaults](#) 47
- [Resetting the Printer](#) 47

You can configure general printer settings from your computer using your Web browser and CentreWare Internet Services.

Note: A USB connection does not provide access to CentreWare Internet Services.

Viewing Printer Information

1. At your computer, open a Web browser, in the address field, type the IP address of the printer, then press **Enter** or **Return**.
2. In CentreWare Internet Services, click **Properties**.
3. To expand the menu, in the Properties pane, for the General folder, click the plus symbol (+).
4. Under Version Information, find the printer model number, serial number, and the firmware version number for the operating systems.
5. Under Page Description Language, find the version numbers for each of the page description languages installed on the printer.

Configuring Tray Settings

Use this menu to configure the paper trays for the paper size and type, set custom sizes, and turn the display prompts on and off.

To configure the tray settings:

1. From the General menu, click **Tray Management**.
2. For Tray Settings, from the lists, select the paper size and paper type.
3. For custom paper sizes, for Custom Paper Length - Y, type a length, and for Custom Paper Width - X, type a width.
4. To set the display to prompt you for the paper settings each time the paper tray is loaded, for Tray Display Prompt, select **On**.
5. Click **Save Changes**.

Configuring Printer Defaults

The Printer Defaults page displays the printer model information and product code or serial number. It also provides a place to enter the name and location of the printer and the name and email address of the contact.

1. At your computer, open a Web browser, in the address field, type the IP address of the printer, then press **Enter** or **Return**.
2. In CentreWare Internet Services, click **Properties**.
3. To expand the menu, in the Properties pane, for the General folder, click the plus symbol (+).
4. Click **Printer Defaults**.
5. In the fields, type descriptive information as needed.
6. Click **Save Changes**.

Resetting the Printer

Using Software Resets to restart the printer is faster and wastes fewer consumables than powering the printer on and off. Restarting the printer can take up to five minutes during which time CentreWare Internet Services is not available.

1. At your computer, open a Web browser, in the address field, type the IP address of the printer, then press **Enter** or **Return**.
2. In CentreWare Internet Services, click **Properties**.
3. To expand the menu, in the Properties pane, for the General folder, click the plus symbol (+).
4. From the General menu, click **Resets**.
5. To reset the network memory and restart the printer, for Reset network memory and restart the printer, click **Start Printer**.
6. To restart the printer without resetting any of the default settings, for Restart the printer, click **Start Printer**.

Configuring General Setup Using the Control Panel

This section includes:

- [Accessing Information About the Printer Using the Control Panel.....](#) 48
- [Using the Power On Wizard.....](#) 48
- [Configuring System Settings.....](#) 49
- [Setting the Paper Size and Type](#) 51

Accessing Information About the Printer Using the Control Panel

You can view information about the printer on the information pages.

1. On the printer control panel, press the **System** button.
2. Navigate to Information Pages, then press **OK**.
3. Navigate to the desired report, then press **OK**.

Using the Power On Wizard

The Power On Wizard helps to configure several preliminary settings for the printer, including the country, date, time, and time zone.

To use the Power On Wizard to set up the printer:

1. On the printer control panel, press the **System** button.
2. Use the Up and Down arrows to navigate to Admin Menu, then press **OK**.
3. Navigate to **System Settings**, then press **OK**.
4. To navigate to the Power On Wizard, use the **Up** or **Down** arrows, then select **Power On Wizard**.
5. Select **Yes**, then press **OK**.
6. Complete the steps in the wizard, then press **OK**.

Configuring System Settings

This section includes:

• Accessing the System Settings Menu.....	49
• Setting the Power Saver Mode Timers.....	49
• Setting the Auto Reset Timer.....	49
• Setting the Fault Time-Out Timer.....	50
• Setting the Job Time-Out Timer.....	50
• Setting the Clock.....	50
• Setting Alerts.....	50
• Setting the Units for Custom Paper Sizes.....	50
• Setting the Low Toner Alert.....	51
• Setting the Show Paper Size/Type Error.....	51

You can use this menu to configure general settings of the printer, such as Power Saver timers, clock settings, and alert settings.

Accessing the System Settings Menu

1. On the printer control panel, press the **System** button.
2. Use the Up and Down arrows to navigate to Admin Menu, then press **OK**.
3. Navigate to **System Settings**, then press **OK**.

Setting the Power Saver Mode Timers

1. In the System Settings menu, navigate to **Power Saver Timer**, then press **OK**.
2. Select the Power Saver Mode you want to change, then press **OK**.
3. To select the desired time, press the arrow buttons, or enter a value using the numeric keypad.
 - **Power Saver Mode 1 (Low Power)**: Set the timer from 1–60 minutes.
 - **Power Saver Mode 2 (Sleep)**: Set the timer from 1–60 minutes.
4. Press **OK**.

Setting the Auto Reset Timer

You can specify the time the printer waits for further input before it returns to standby mode.

To set the Auto Reset timer:

1. In the System Settings menu, navigate to **Auto Reset**, then press **OK**.
2. To select a setting, press the arrow buttons, select it, then press **OK**.

Setting the Fault Time-Out Timer

The fault timeout allows you to set how long the printer waits before canceling a print job that stops abnormally.

To set the Fault Time-Out timer:

1. In the System Settings menu, navigate to **Fault Time-Out**, then press **OK**.
2. Select **On**, then press **OK**.
3. To enter a time in seconds, use the numeric keypad, then press **OK**.

Setting the Job Time-Out Timer

You can specify the amount of time the printer waits for data to arrive from a computer before canceling the print job.

To set the Job Time-Out timer:

1. In the System Settings menu, navigate to **Job Time-Out**, then press **OK**.
2. Select **On**, then press **OK**.
3. To enter a time in seconds, use the numeric keypad, then press **OK**.

Setting the Clock

1. In the System Settings menu, navigate to **Clock Settings**, then press **OK**.
2. Next to Date Format, Time Format, and Time Zone, select the setting for each from the corresponding list.
3. Using the selected format, next to Set Date, enter the date.
4. Using the selected format, next to Set Time, enter the time.
5. To exit the Clock Settings menu, press **Back/Return**.

Setting Alerts

You can set the printer to alert you when certain errors occur.

To set the alert options:

1. In the System Settings menu, navigate to **Alert Tones**, then press **OK**.
2. To set an alert, select an alert type, then press **OK**.
3. Select an alert tone volume, then press **OK**.

Setting the Units for Custom Paper Sizes

1. In the System Settings menu, navigate to **mm/inch**, then press **OK**.
2. Select **Millimeters (mm)** or **Inches (")**, then press **OK**.

Setting the Low Toner Alert

1. In the System Settings menu, navigate to **Low Toner Alert Msg**, then press **OK**.
2. Select **On**, then press **OK**.

Setting the Show Paper Size/Type Error

You can set the printer to alert you when the paper size or type does not match the settings in the Tray Settings menu. The default option is On (Except A4/Ltr). The On (Except A4/Ltr) setting directs the printer to alert you for all errors except mismatches between A4 and Letter sizes.

To set the Show Paper Size/Type Error alert:

1. In the System Settings menu, navigate to **Show Paper Size/Type Error**, then press **OK**.
2. Select an option.
3. Press **OK**.

Setting the Paper Size and Type

1. On the printer control panel, press the **System** button.
2. Navigate to **Tray Settings**, then press **OK**.
3. Select **MFP**, then press **OK**.
4. Navigate to **Paper Size**, then press **OK**.
5. Select the paper size that matches the size of paper that is loaded in the tray, then press **OK**.
6. Navigate to **Paper Type**, then press **OK**.
7. Select the paper type that matches the type of paper that is loaded in the tray, then press **OK**.

Configuring Security Settings Using CentreWare Internet Services

This section includes:

- [Opening the Security Menu](#) 52
- [Configuring Administrative Security Settings](#)..... 52
- [Configuring the Host Access List](#) 53
- [Managing Certificates](#) 55

Use security settings to configure administrative settings, authentication, user access and privileges, and service access.

Note: For details, see the Help in CentreWare Internet Services.

Opening the Security Menu

1. At your computer, open a Web browser, in the address field, type the IP address of the printer, then press **Enter** or **Return**.
2. In CentreWare Internet Services, click **Properties**.
3. In the Properties pane, to expand the menu, click the plus (+) symbol next to the Security folder.

Configuring Administrative Security Settings

1. At your computer, open a Web browser, in the address field, type the IP address of the printer, then press **Enter** or **Return**.
2. In CentreWare Internet Services, click **Properties**.
3. In the Properties pane, to expand the menu, click the plus (+) symbol next to the Security folder.
4. Click **Administrator Security Settings**.
5. To turn on administrator privileges, select **Enable Administrator Mode**.
6. Enter the user name and password, then reenter the password.
7. To enter the default user name and password, leave the fields blank, then click **OK**.
8. For Access denial by the authentication failure of the Administrator, enter the number of login attempts allowed before the user is locked out.
9. Click **Save Changes**.

Configuring the Host Access List

The host access list controls access to the printer over LPR or Port 9100. You can enter up to five IP address/mask combinations, and then select to reject, accept, or turn off the filtering for each IP address. You can enter a specific IP address and address mask, or you can enter a range of IP addresses and address masks. If you leave IP address and Address Mask blank, anyone can access the printer.

You can choose to allow printing from one specific IP address only. The following table shows an example.

Access List	IP Address	Address Mask	Active Mode
1	192.168.200.10	255.255.255.255	Accept

You can reject one specific IP address but allow printing from any other address. The following table shows an example.

Access List	IP Address	Address Mask	Active Mode
1	192.168.200.10	255.255.255.255	Reject
2	0.0.0.0	0.0.0.0	Accept

The first row of the access list is the highest priority. When configuring a list with multiple rows, enter the smallest range first. Make the first row the most specific and the last row the most general.

You can set up the host access list to accept or reject printing from a specific network or network mask. You can also accept printing from one IP address within a rejected network mask. The following table shows an example.

Access List	IP Address	Address Mask	Active Mode
1	192.168.200.10	255.255.255.255	Accept
2	192.168.200.0	255.255.255.0	Reject
3	192.168.0.0	255.255.0.0	Accept

To configure the Host Access List:

1. At your computer, open a Web browser, in the address field, type the IP address of the printer, then press **Enter** or **Return**.
2. In CentreWare Internet Services, click **Properties**.
3. In the Properties pane, to expand the menu, click the plus (+) symbol next to the Security folder.
4. Click **Host Access List**.
5. In the IP Address field, enter the IP address of the host as X.X. X.X, where X is a number from 0 through 255. For example, 192.168.200.10.
6. In the Address Mask field, enter the network mask for the host as X.X. X.X, where X is a number from 0 through 255. For example, 255.255.255.255.
7. For the action the host takes with the IP address, for Active mode, select an option.
 - **Off:** You can use this setting to make a row of the access list inactive. Use this setting to enter a specific IP address or range of addresses before you apply Accept or Reject mode.
 - **Accept:** You can use this setting to allow the specified IP address or range of addresses access to the printer.
 - **Reject:** You can use this setting to deny the specified IP address or range of addresses access to the printer.
8. Click **Save Changes**.

Managing Certificates

This section includes:

- [About Security Certificates](#) 55
- [Enabling HTTPS Communication](#) 56
- [Deleting a Digital Certificate](#) 56

About Security Certificates

A digital certificate is a file that contains data used to verify the identity of the client or server in a network transaction. A certificate also contains a public key used to create and verify digital signatures. One device proves its identity to another by presenting a certificate trusted by the other device. Or, the device can present a certificate signed by a trusted third party and a digital signature proving its ownership of the certificate.

A digital certificate includes the following data:

- Information about the owner of the certificate
- The certificate serial number and expiration date
- A public key
- A purpose defining how the certificate and public key can be used

This printer supports two types of certificates.

- **Device Certificate:** This certificate contains a private key and a stated purpose that allows the printer to use it to prove identity.
- **Trusted Certificate:** A self-signed certificate is a certificate from a device that verifies its identity to any devices that connect to it.

Note: This printer does not support Certificate Authority (CA) certificates.

To ensure that the printer can communicate with other devices over a secure trusted connection, both devices must have specific certificates installed.

Enabling HTTPS Communication

1. At your computer, open a Web browser, in the address field, type the IP address of the printer, then press **Enter** or **Return**.
2. Click **Properties**.
3. Select **Security > SSL/TSL Communication**.
4. To configure the printer to create a digitally signed certificate, click **Create New Certificate**.
5. To select the DKIM signature type, for Public Key Method, select **RSA/SHA-256** or **RSA/SHA-1**.
6. To select the size of the key, for Public Key Size, select the number of bits.
7. For Issuer, type the name of the organization that issues the certificate.
8. To set the number of days that the certificate is effective, for Validity, enter a number.
9. Adjust the parameters of the new digital certificate as needed, then click **Generate Certificate**.
10. For the new settings to take effect, restart your printer.

Note: After you generate a signed certificate, Certificate Management appears in the Security menu.

11. In the address bar, type the IP address of the printer, then press **Enter** or **Return**.
12. To display the SSL page, select **Properties > Security > SSL/TSL Communication**.
13. Ensure that **Enabled SSL** is selected.

Deleting a Digital Certificate

1. At your computer, open a Web browser, in the address field, type the IP address of the printer, then press **Enter** or **Return**.
2. Click **Properties**.
3. In the navigation panel, click **Security > SSL/TLS Server Communication**, then click **Delete All Certificates**.
4. To confirm, click **Delete**.

Configuring AirPrint

Use AirPrint to print directly from a wired or wireless device without using a print driver. AirPrint is a software feature that allows for driverless printing from Apple iOS-based mobile devices and Mac OS-based devices. AirPrint-enabled printers let you print directly from a Mac or from an iPhone, iPad, or iPod touch.



Notes:

- Not all applications support AirPrint.
 - Wireless devices must join the same wireless network as the printer.
 - For AirPrint to function, both IPP and Bonjour (mDNS) protocols must be enabled.
 - The device that submits the AirPrint job must be on the same subnet as the printer. To allow devices to print from different subnets, configure your network to pass multicast DNS traffic across subnets.
 - The Mac OS device must be Mac OS 10.7 or later.
 - AirPrint-enabled printers work with iPad (all models), iPhone (3GS or later), and iPod touch (3rd generation or later), running the latest version of iOS.
1. At your computer, open a Web browser, in the address field, type the IP address of the printer, then press **Enter** or **Return**.

Note: If you do not know the IP address of your printer, see [Finding the IP Address of Your Printer](#) on page 27.

2. Click **Properties**.
3. If the Protocols link is not expanded under Properties, scroll to the Protocols link and expand it.
4. Under Protocols, click **AirPrint**.
5. To enable AirPrint, next to Enable AirPrint, click **Turn On AirPrint**.

Note: AirPrint is enabled by default when IPP and Bonjour (mDNS) are both enabled. When AirPrint is enabled, Turn On AirPrint is not selectable. To disable AirPrint, disable either IPP or Bonjour (mDNS) protocols.

- To change the printer name, in the Name field, enter a new name.
 - To enter a location for the printer, in the Location field, enter the location of the printer.
 - To enter a physical location or address for the printer, in the Geo-Location field, enter the geographic latitude and longitude coordinates in decimal form. For example, use coordinates like 45.325026, -122.766831 for a location.
6. Click **Save Changes**.
 7. At the prompt, click **Restart**, or click **Back** to cancel.
If you click Restart, the printer takes several minutes to restart and apply the new settings.

Setting Up Scanning

This section includes:

- [Scanning Setup Overview](#) 58
- [Setting Up Scanning to a Shared Folder on Your Computer](#) 59
- [Setting Up Scanning to an FTP Server](#) 62
- [Setting Up Scanning to an Email Address](#) 63
- [Setting Up Scanning With USB](#) 63

See also:

[Scanning](#) on page 105

Scanning Setup Overview

If the printer is connected to a network, it is enabled for scanning. Before you can scan, you must do the following:

- If you are scanning to a shared folder on your computer, share the folder, set the correct permissions, and add the folder as an Address Book entry in CentreWare Internet Services.
- If you are scanning to an FTP server, add the FTP server and set the correct folder permissions as an Address Book entry in CentreWare Internet Services.
- If you are scanning to an email address, configure the email server in CentreWare Internet Services.

If the printer is connected using a USB cable, you cannot scan to an email address or a network location. You can scan to a folder on your computer, or scan into an application after installing the scan drivers and the Express Scan Manager utility.

For details, see [Installing the Software](#) on page 37.

Setting Up Scanning to a Shared Folder on Your Computer

This section includes:

- [Sharing a Folder Using Windows](#) 59
- [Sharing the Folder Using Macintosh OS X Version 10.5 and Later](#) 60
- [Adding a Folder as an Address Book Entry Using the Address Book Editor](#) 60
- [Adding a Folder as an Address Book Entry Using CentreWare Internet Services](#) 61

Before you can scan to a shared folder, you must share the folder, then add the folder as an Address Book entry in CentreWare Internet Services.

For details, see CentreWare Internet Services.

Sharing a Folder Using Windows

1. Open Windows Explorer.
2. Right-click the folder you want to share and select **Properties**.
3. Click the **Sharing** tab, then click **Share this folder**.
4. Click the **Permissions** button.
5. Select the **Everyone** group, and verify that all permissions are enabled.
6. Click **OK**.

Note: Remember the Share name for later use.

7. Click **OK** again.
8. Open a DOS Command Prompt window:
 - a. On the Start menu, select **Run**.
 - b. In the Open field, type **cmd** and click **OK**.
9. Type **ipconfig**, then press **Enter**.
10. Record the IP address.
11. Close the DOS Command Prompt window.

The folder is ready. Now add the folder as an Address Book entry. For details, see [Adding the Folder as an Address Book Entry Using CentreWare Internet Services](#) on page 61.

Sharing the Folder Using Macintosh OS X Version 10.5 and Later

To enable a folder on your Macintosh computer for network sharing:

1. From the Apple menu, select **System Preferences**.
2. From the View menu, select **Sharing**.
3. From the Services list, select **File Sharing**.
4. Click the plus icon (+) below the Shared Folders field. A folder list appears.
5. Select the folder you want to share on the network, then click **Add**.
6. Select the folder you want to share from the Shared Folders window.
7. From the Users list, click **Everyone**.
8. From the list to the right of the Users window, use the arrow buttons to select user privileges for the shared folder.
9. Click the **Options** button.
10. Do one or more of the following:
 - Select **Share files and folders using AFP** to share this folder with other Macintosh computers.
 - Select **Share files and folders using FTP** to share this folder with computer connected to an FTP server.
 - Select **Share files and folders using SMB** to share this folder with Windows computers.
11. Select the **On** check box to the left of File Sharing in the Service pane.
The folder and its contents are shared with network users.
12. Close the Sharing window.

Note: When you open a shared folder, a Shared Folder banner appears in the Finder for the folder and its subfolders.

The folder is ready. Now add the folder as an Address Book entry. For details, see [Adding the Folder as an Address Book Entry Using CentreWare Internet Services](#) on page 61.

Adding a Folder as an Address Book Entry Using the Address Book Editor

1. Click **Start > All Programs > Xerox Office Printing > WorkCentre 6025**.
2. In the left navigation pane, under Printer Address Book, click **Server**.
3. For Name, enter the name of the shared file on your computer.
4. For Server Type, select **Computer (SMB)**.
5. Click **Computer Settings Wizard**, then click **Browse**.
6. Navigate to a shared folder on your computer.
7. Click **OK**, then click **Next**.
8. To give the printer access to the shared folder, enter a login name and password.
9. Click **Next**, then click **Finish**.
10. Click **OK**.
The new entry appears in the Server pane.
11. Click **Save All**.

Adding a Folder as an Address Book Entry Using CentreWare Internet Services

1. At your computer, open a Web browser, in the address field, type the IP address of the printer, then press **Enter** or **Return**.

Note: If you do not know the IP address of your printer, see [Finding the IP Address of Your Printer](#) on page 27.

2. Click **Address Book**.
3. Under Network Scan (Comp./Serv.), click **Computer/Server Address Book**.
4. Click **Add** next to any empty field, and enter the following information:
 - **Name:** Enter the name that you want to appear in the Address Book.
 - **Server Type:** Select **Computer (SMB)**.
 - **Host Address:** Enter the IP address of your computer.
 - **Port Number:** Enter the default port number for SMB, 139, or select a number from the range provided.
 - **Login Name:** Enter your computer user name.
 - **Login Password:** Enter your computer login password.
 - **Re-enter Password:** Enter your login password again.
 - **Name of Shared Directory:** Enter a name for the directory or folder. For example, if you want the scanned files to go in a folder named *scans* type **scans**.
 - **Subdirectory Path:** Enter the path of the folder on the FTP server. For example, if you want the scanned files to go in a folder named *colorscans* inside the *scans* folder, type **/colorscans**.
5. Click **Save Changes**.

Setting Up Scanning to an FTP Server

Before you set up scanning to an FTP Server, the server must have the proper software installed and be configured with shared folders for each user.

1. At your computer, open a Web browser, in the address field, type the IP address of the printer, then press **Enter** or **Return**.

Note: If you do not know the IP address of your printer, see [Finding the IP Address of Your Printer](#) on page 27.

2. In CentreWare Internet Services, click **Address Book**.
3. Under Network Scan (Comp./Serv.), click **Computer/Server Address Book**.
4. Next to any empty field, click **Add**.
5. Enter the name to display in the address book.
6. For Network Type, select **Server (FTP)**.
7. For Host Address, type the IP address or DNS name for the server.
8. For Port Number, enter the default port number, or select a number from the range provided.
9. For Login Name, type a login name for the FTP server.
10. Type and confirm the password for the FTP server.
11. For Name of Shared Directory, type the name of the destination folder on the FTP server. For example, to save scanned files to a shared folder named scans, type **scans**.
12. For Subdirectory path, type the path of the folder as needed. For example, to save scans to a folder called colorscans that is one level below the scans folder, type **/colorscans**.
13. Click **Save Changes**. A new address book entry is created.

Setting Up Scanning to an Email Address

Before you can scan to an email address, you must configure the printer to communicate with your SMTP email server. Before you can scan to an email address, configure the printer to communicate with your SMTP email server.

To configure the SMTP server settings:

1. At your computer, open a Web browser, in the address field, type the IP address of the printer, then press **Enter** or **Return**.

Note: If you do not know the IP address of your printer, see [Finding the IP Address of Your Printer](#) on page 27.

2. Click **Properties**.
3. In the navigation pane, click **Protocols > Email Server**.
4. For Return Email Address, type the email address that you want to use to send emails from the printer.
5. For Host Address, type the IP address or DNS name for the server.
6. For SMTP Port, enter the port number for the SMTP server.
7. If the SMTP server requires authentication, select the Authentication Type, then enter the SMTP Login Name and SMTP Password.

Note: Ensure that the authentication type is compatible with your SMTP server.

8. Re-enter the password.
9. Click **Save Changes**.

Setting Up Scanning With USB

If the printer is connected using a USB cable, you cannot scan to an email address or a network location. You can scan to a folder on your computer, or scan into an application after installing the scan drivers and the Express Scan Manager utility.

Starting Express Scan Manager

To start Express Scan Manager on Windows computers:

1. Click **Start > All Programs > Xerox Office Printing**.
2. Select your printer.
3. Double-click **Express Scan Manager**.

To start Express Scan Manager on Macintosh computers:

1. Navigate to **Applications > Xerox**.
2. Select your printer.
3. Double-click **Express Scan Manager**.
4. To accept the default Destination Path folder, click **OK**.
5. To navigate to another folder, click **Browse**.
6. Press **OK**.

Installing the Printer as a Web Services Device

Web Services on Devices (WSD) allow a client to discover and access a remote device and its associated services across a network. WSD supports device discovery, control, and use.

To install a WSD printer using the Add Printer Wizard:

1. At your computer, access the Add Printer Wizard.
 - For Windows Vista, click **Start > Control Panel > Hardware and Sound > Printers**.
 - For Windows Server 2003 and later, click **Start > Settings > Printers**.
 - For Windows 7, click **Start > Devices and Printers**.
 - For Windows 8, click **Control Panel > Devices and Printers**.
2. To launch the Add Printer Wizard, click **Add a Printer**.
3. In the list of available devices, select the one you want to use, then click **Next**.
4. If the printer that you want does not appear in the list, click **The printer that I want is not listed**.
 - a. Select **Add a printer using a TCP/IP address or hostname**, then click **Next**.
 - b. For the Device type field, select **Web Services Device**.
 - c. Enter the printer IP address in the Hostname or IP address field, then click **Next**.
5. Complete the steps in the wizard, then click **Finish**.

Paper and Media

4

This chapter includes:

- Supported Paper 66
- Loading Paper 69
- Printing on Special Paper 74

Supported Paper

This section includes:

- [Ordering Paper](#) 66
- [General Paper Loading Guidelines](#)..... 66
- [Paper That Can Damage Your Printer](#) 66
- [Paper Storage Guidelines](#) 67
- [Supported Paper Types and Weights](#)..... 67
- [Supported Standard Paper Sizes](#) 68
- [Supported Custom Paper Sizes](#) 68

Your printer is designed to use various paper and other media types. To ensure the best print quality and to avoid jams, follow the guidelines in this section.

For best results, use Xerox paper and media recommended for your printer.

Ordering Paper

To order paper or other media, contact your local reseller or visit www.xerox.com/office/WC6025supplies.

General Paper Loading Guidelines

- Do not overfill the paper trays. Do not load paper above the maximum fill line in the tray.
- Adjust the paper guides to fit the paper size.
- Fan paper before loading it in the paper tray.
- If excessive jams occur, use paper or other approved media from a new package.
- Do not print on label media once a label has been removed from a sheet.
- Use only paper envelopes. Print envelopes 1-sided only.

Paper That Can Damage Your Printer

Some paper and other media types can cause poor output quality, increased paper jams, or damage your printer. Do not use the following:

- Rough or porous paper
- Inkjet paper
- Non-laser glossy or coated paper
- Paper that has been photocopied
- Paper that has been folded or wrinkled
- Paper with cutouts or perforations
- Stapled paper

- Envelopes with windows, metal clasps, side seams, or adhesives with release strips
- Padded envelopes
- Plastic media



CAUTION: The Xerox Warranty, Service Agreement, or Xerox Total Satisfaction Guarantee does not cover damage caused by using unsupported paper or specialty media. The Xerox Total Satisfaction Guarantee is available in the United States and Canada. Coverage could vary outside these areas. Please contact your local representative for details.

Paper Storage Guidelines

Storing your paper and other media properly contributes to optimum print quality.

- Store paper in dark, cool, relatively dry locations. Most paper is susceptible to damage from ultraviolet and visible light. Ultraviolet light, from the sun and fluorescent bulbs, is particularly damaging to paper.
- Reduce the exposure of paper to strong lights for long periods of time.
- Maintain constant temperatures and relative humidity.
- Avoid storing paper in attics, kitchens, garages, or basements. These spaces are more likely to collect moisture.
- Store paper flat, either on pallets, cartons, shelves, or in cabinets.
- Avoid food or drinks in the area where paper is stored or handled.
- Do not open sealed packages of paper until you are ready to load them into the printer. Leave stored paper in the original packaging. The paper wrapper protects the paper from moisture loss or gain.
- Some special media is packaged inside resealable plastic bags. Store the media inside the bag until you are ready to use it. Keep unused media in the bag and reseal it for protection.

Supported Paper Types and Weights

Paper Type	Weight
Plain Plain Reloaded Letterhead Hole Punched Colored	Heavyweight 60–90 g/m ² Lightweight 60–80 g/m ² Note: The default setting is Heavyweight. For details on how to change the paper type setting, see Adjusting Paper Type on page 132.
Recycled	60–105 g/m ²
Bond, Heavy Plain	91–105 g/m ²
Lightweight Cardstock Lightweight Cardstock Reloaded Lightweight Glossy Cardstock Lightweight Glossy Cardstock Reloaded	106–163 g/m ²
Labels	
Envelopes	

Supported Standard Paper Sizes

European Standard Sizes	North American Standard Sizes
A4 (210 x 297 mm, 8.3 x 11.7 in.) B5 (176 x 250 mm, 6.9 x 9.8 in.) A5 (148 x 210 mm, 5.8 x 8.3 in.)	Legal (216 x 356 mm, 8.5 x 14 in.) Folio (216 x 330 mm, 8.5 x 13 in.) Letter (216 x 279 mm, 8.5 x 11 in.) Executive (184 x 267 mm, 7.25 x 10.5 in.)
C5 envelope (162 x 229 mm, 6.4 x 9 in.) DL envelope (110 x 220 mm, 4.33 x 8.66 in.)	Monarch envelope (98 x 190 mm, 3.9 x 7.5 in.) No. 10 envelope (241 x 105 mm, 4.1 x 9.5 in.)

Supported Custom Paper Sizes

You can use custom-sized paper within the following dimensions in your printer:

- Width: 76.2–215.9 mm (3–8.5 in.)
- Length: 127–355.6 mm (5–14 in.)

Loading Paper

This section includes:

- Loading Paper 69
- Loading Paper in the Bypass Tray 72

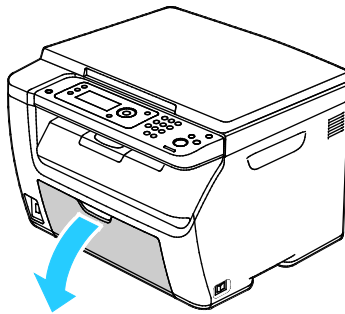
Loading Paper

The main tray holds up to 150 sheets of paper.

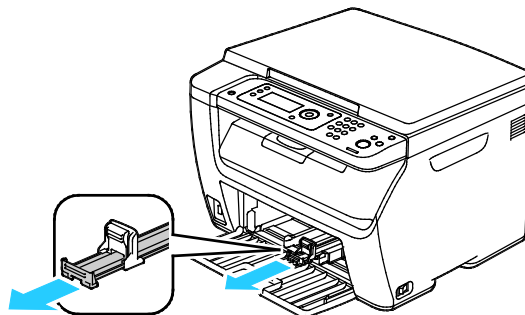
Notes:

- To avoid paper jams, do not remove the dust cover while printing is in progress.
- Use only laser print media.

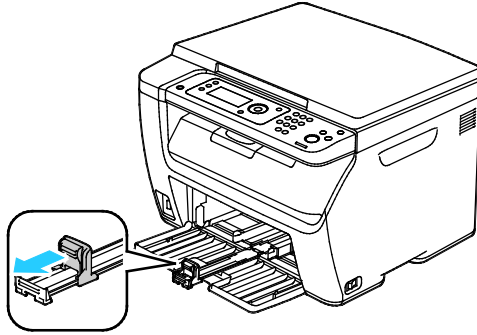
1. Open the front door.



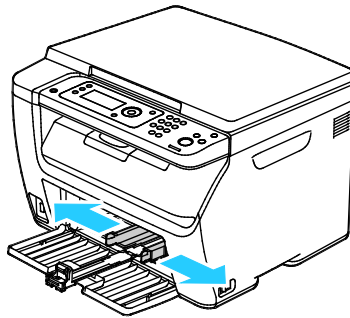
2. Pull the slide bar forward until it stops.



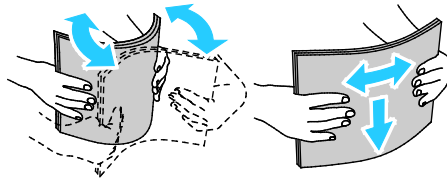
3. Pull the length guide forward until it stops.



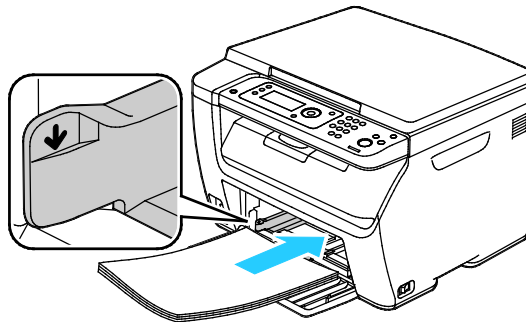
4. Move the width guides to the edges of the tray.



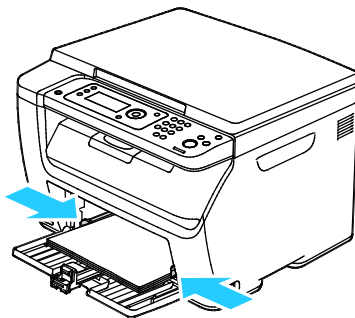
5. Flex the sheets back and forth and fan them, then align the edges of the stack on a level surface. This procedure separates any sheets that are stuck together and reduces the possibility of jams.



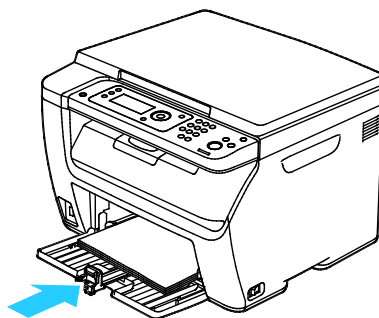
6. Load the paper into the tray with the top edge going into the printer and the print side up.



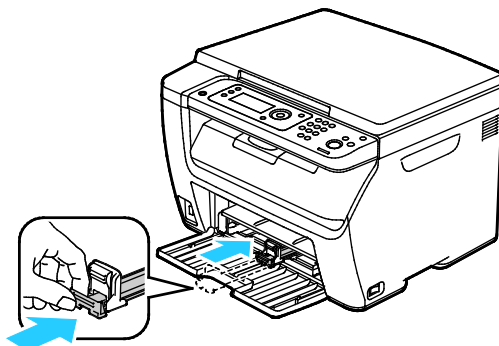
7. Adjust the width guides until they touch the edges of the paper.



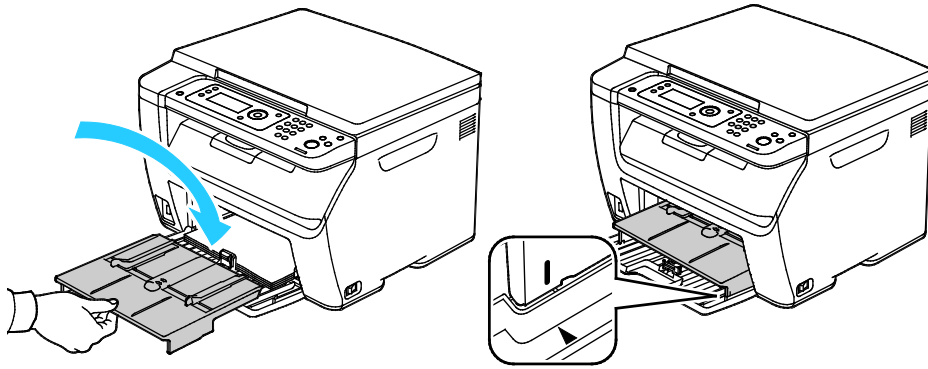
8. Push in the length guides and slide bar until they stop.



Note: Depending on the size of the paper, first push the slide bar toward the printer until it stops. Pinch the length guide and slide it in until it touches the paper edge.



- Place the bypass tray on the main tray, then align the tabs with the marks.



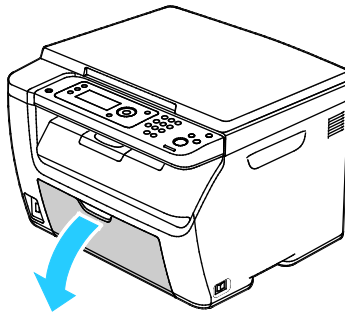
- If the paper that you loaded is not plain, set the correct paper type and size in your print driver. For details, see [Using Custom Paper Sizes](#) on page 87.

Note: If you are printing on custom size paper, define the custom size in the printer properties before printing.

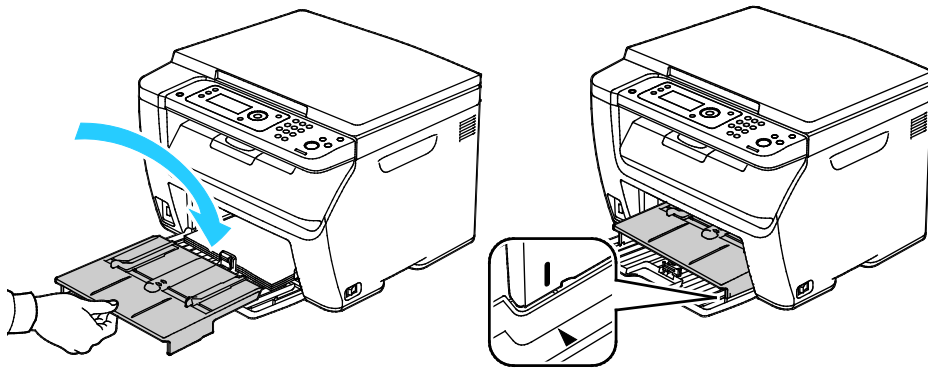
Loading Paper in the Bypass Tray

Note: To avoid paper jams, do not remove the bypass tray while printing is in progress.

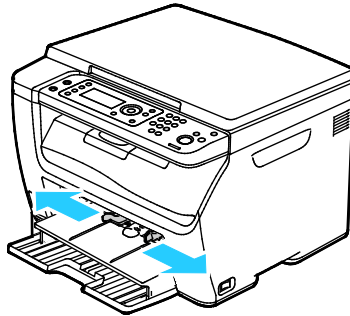
- Open the front door.



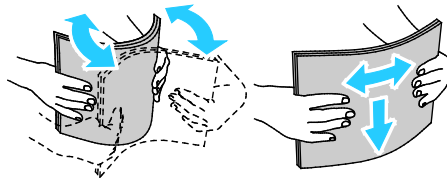
- Place the bypass tray on the main tray, then align the tabs with the marks.



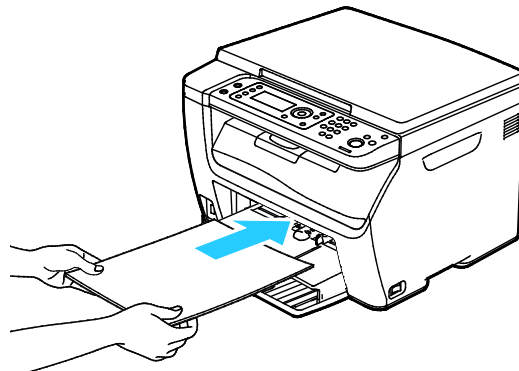
3. Move the width guides to the edges of the tray.



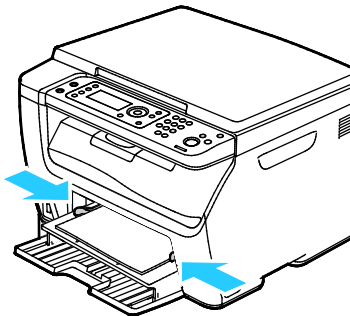
4. Flex the sheets back and forth and fan them, then align the edges of the stack on a level surface. This procedure separates any sheets that are stuck together and reduces the possibility of jams.



5. Load the paper into the tray with the top edge going into the printer and the print side up.



6. Adjust the width guides until they touch the edges of the paper.



7. If the paper you loaded is different from the paper in the main tray, set the correct paper type and size. Ensure that you change the paper type and size at the control panel and in your print driver software. For details, see [Using Custom Paper Sizes](#) on page 87.

Note: If you are printing on custom size paper, define the custom size in the printer properties before printing.

Printing on Special Paper

This section includes:

- [Printing Envelopes](#) 75
- [Printing Labels](#)..... 78
- [Printing on Glossy Cardstock](#)..... 79

To order paper or other media, contact your local reseller or visit www.xerox.com/office/WC6025supplies.

Printing Envelopes

This section includes:

- [Guidelines for Printing Envelopes](#) 75
- [Loading Envelopes](#)..... 76
- [Loading Envelopes in the Bypass Tray](#)..... 77

You can print envelopes from either the main tray or the bypass tray. To print from either tray, select the correct envelope size in the control panel Main Tray settings and in the print driver. Print driver settings override control panel settings when you print using the print driver software on your computer.



CAUTION: Never use self-stick envelopes or envelopes with windows. They can damage the printer and cause jams.



CAUTION: The Xerox Warranty, Service Agreement, or Xerox Total Satisfaction Guarantee does not cover damage caused by using unsupported paper or specialty media. The Xerox Total Satisfaction Guarantee is available in the United States and Canada. Coverage could vary outside these areas. Please contact your local representative for details.

Guidelines for Printing Envelopes

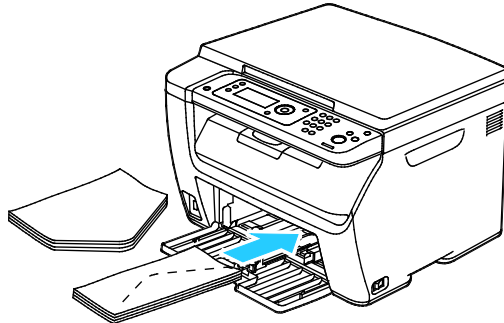
- Print quality depends on the quality and construction of the envelopes. Try another envelope brand if you do not get desired results.
- Maintain constant temperatures and relative humidity.
- Store unused envelopes in their packaging to avoid excess moisture and dryness which can affect print quality and cause wrinkling. Excessive moisture can cause the envelopes to seal before or during printing.
- Remove air bubbles from the envelopes before loading them into the tray by setting a heavy book on top of them.
- In the print driver software, select Envelope as the paper type.
- Do not use padded envelopes. Use envelopes that lie flat on a surface.
- Do not use envelopes with heat activated glue.
- Do not use envelopes with press and seal flaps.
- Use only paper envelopes.
- Do not use envelopes with windows or metal clasps.

Loading Envelopes

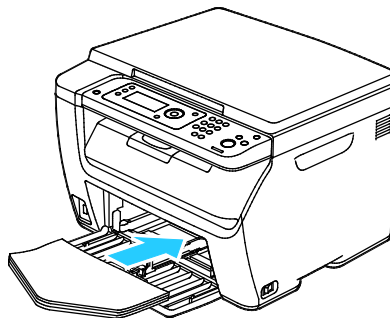
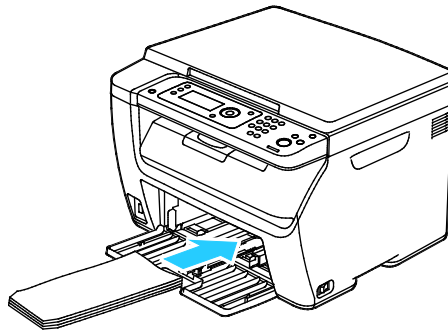
You can load up to five envelopes at a time in the main tray.

To load envelopes:

1. Slide open the width guides.
2. Place envelopes in the main tray using one of the following methods:
 - Insert No. 10, DL, or Monarch envelopes with the print side up, flaps closed and facing down, and the flap side to the right.



- Insert C5 envelopes with the print side up, flaps open and facing away from the printer.



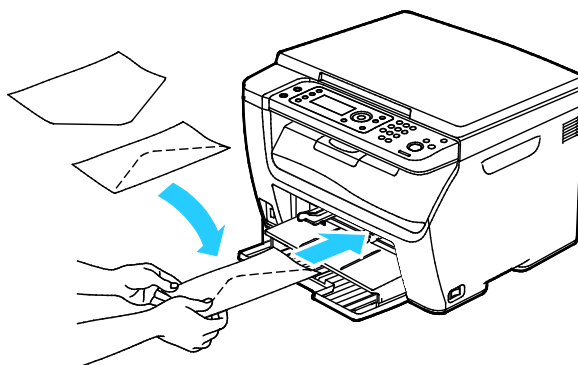
Notes:

- To prevent wrinkling on No. 10, DL, C5, or Monarch envelopes, load them print side up, flaps open and facing away from the printer.
 - When you load envelopes long-edge feed, ensure that you specify landscape orientation in the print driver.
3. Adjust the paper guides so they rest lightly against the edges of the envelopes.

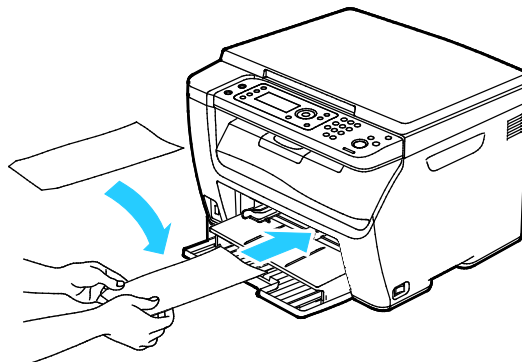
Loading Envelopes in the Bypass Tray

You can load one envelope at a time in the bypass tray.

1. Slide open the width guides.
2. Place an envelope in the bypass tray using one of the following methods:
 - Insert No. 10, DL, or Monarch envelopes with the print side up, flaps closed and facing down, and the flap side to the right.



- Insert C5 envelopes with the print side up, flaps open and facing away from the printer.



Notes:

- To prevent wrinkling on No. 10, DL, C5, or Monarch envelopes, load them print side up, flaps open and facing away from the printer.
 - When you load envelopes long-edge feed, ensure that you specify landscape orientation in the print driver.
3. Adjust the bypass tray width guides to rest against the edges of the envelope.

Printing Labels

Ensure that label media is placed face-up in the main tray.

Guidelines for Printing Labels

- Use labels designed for laser printing.
- Do not use vinyl labels.
- Do not feed a sheet of labels through the printer more than once.
- Do not use dry gum labels.
- Print only on one side of the sheet of labels. Use full sheet labels only.
- Store unused labels flat in their original packaging. Leave the sheets of labels inside the original packaging until ready to use. Return any unused sheets of labels to the original packaging and reseal it.
- Do not store labels in extremely dry or humid conditions or extremely hot or cold conditions. Storing them in extreme conditions can cause print-quality problems or cause them to jam in the printer.
- Rotate stock frequently. Long periods of storage in extreme conditions can cause labels to curl and jam in the printer.
- In the print driver software, select Label as the paper type.
- Before loading labels, remove all other paper from the tray.



CAUTION: Do not use any sheet where labels are missing, curled, or pulled away from the backing sheet. It could damage the printer.

Loading Labels in the Bypass Tray

1. Remove all paper from the tray.
2. Load labels face up with the top of the page going into the printer.
3. Adjust the width guides until they touch the edges of the paper.
4. On the control panel, change the type to Label.
5. On the control panel, select the size.
6. Touch **OK**.
7. In the Printing Preferences of the print driver, on the Paper/Output tab, change the Paper Type setting.

Printing on Glossy Cardstock

You can print on Lightweight Glossy Cardstock that is 163 g/m² or less.

- Do not open sealed packages of glossy cardstock until you are ready to load them into the printer.
- Leave glossy cardstock in the original wrapper, and leave the packages in the shipping carton until ready to use.
- Remove all other paper from the tray before loading glossy cardstock.
- Load only the amount of glossy cardstock you are planning to use. Do not leave glossy cardstock in the tray when you are finished printing. Replace unused cardstock in the original wrapper and seal.
- Rotate stock frequently. Long periods of storage in extreme conditions can cause glossy cardstock to curl and jam in the printer.
- In the print driver software, select the desired glossy cardstock type or select the tray loaded with the desired paper.

To optimize printing on glossy cardstock, do one or more of the following:

- Adjust the paper type setting. For details, see [Adjusting Paper Type](#) on page 132.
- Adjust the bias transfer roller. For details, see [Adjusting the Bias Transfer Roller](#) on page 132.
- Adjust the fuser. For details, see [Adjusting the Fuser](#) on page 133.

Printing

5

This chapter includes:

- [Printing Overview](#) 82
- [Selecting Printing Options](#)..... 83
- [Printing from Mobile Devices](#)..... 86
- [Using Custom Paper Sizes](#) 87
- [Printing on Both Sides of the Paper](#) 90
- [Printing From a USB Flash Drive](#)..... 92

Printing Overview

Before printing, your computer and the printer must be plugged in, turned on, and connected. Ensure that you have the correct print driver software installed on your computer. For details, see [Installing the Software](#) on page 37.

1. Select the appropriate paper.
2. Load paper in the appropriate tray.
3. At the printer control panel, specify the size and type.
4. In your software application, access the print settings. For most software applications, press **CTRL+P** for Windows or **CMD+P** for Macintosh.
5. Select your printer.
6. To access the print driver settings for Windows, select **Properties** or **Preferences**. For Macintosh select **Xerox® Features**.

Note: Depending on your application, the title of the button varies.

7. Modify the print driver settings as needed, then click **OK**.
8. Click **Print** to send the job to the printer.

Selecting Printing Options

This section includes:

- [Windows Printing Options](#)..... 83
- [Macintosh Printing Options](#)..... 85

Note: Print driver settings override control panel settings when you print using the print driver software on your computer.

Windows Printing Options

Setting Default Printing Options for Windows

When you print from any software application, the printer uses the print job settings specified in the Printing Preferences window. You can specify your most common printing options and save them so that you do not have to change them every time you print.

For example, if you want to print on both sides of the paper for most jobs, specify 2-sided printing in Printing Preferences.

To select default printing options:

1. Navigate to the list of printers on your computer:
 - For Windows Vista, click **Start > Control Panel > Hardware and Sound > Printers**.
 - For Windows Server 2003 and later, click **Start > Settings > Printers**.
 - For Windows 7, click **Start > Devices and Printers**.
 - For Windows 8, click **Control Panel > Devices and Printers**.

Note: If the Control Panel icon does not appear on the desktop, right-click on the desktop, then select **Personalize > Control Panel Home > Devices and Printers**.

2. In the list, right-click the icon for your printer and click **Printing Preferences**.
3. In the Printing Preferences window, click a tab, select the options, then click **OK** to save.

Note: For more information about Windows print driver options, click the Help button (?) in the Printing Preferences window.

Selecting Printing Options for an Individual Job in Windows

To use special printing options for a particular job, change the print driver settings in the application before sending the job to the printer.

Note: The print driver includes online help with more information on selecting printing options. To access help from any print driver dialog box, click **Help**.

To select printing options:

1. With the desired document or graphic open in your application, open the **Print** dialog box. For most software applications, click **File > Print** or press **CTRL+P**.
2. Select your printer, then click **Properties** to open the print driver dialog box.
3. Make selections from the driver tabs as desired, beginning with settings in the Paper/Output tab.
4. Click **OK** in the Properties window, then click **OK** in the Print window.

Selecting Printing Defaults in Windows for a Shared Network Printer

1. Navigate to the list of printers on your computer:
 - For Windows XP SP3, click **Start > Settings > Printers and Faxes**.
 - For Windows Vista, click **Start > Control Panel > Hardware and Sound > Printers**.
 - For Windows Server 2003 and later, click **Start > Settings > Printers**.
 - For Windows 7, click **Start > Devices and Printers**.
 - For Windows 8, click **Control Panel > Devices and Printers**.

Note: If the Control Panel icon does not appear on the desktop, right-click on the desktop, then select **Personalize > Control Panel Home > Devices and Printers**.

2. In the Printers folder, right-click the name of your print driver and select **Properties**.
3. In the printer Properties dialog box, click the **Advanced** tab.
4. On the Advanced tab, click **Printing Defaults**.
5. Make your selections on the driver tabs as needed, then click **Apply**.
6. Click **OK** to save your selections.

Saving a Set of Commonly Used Printing Options for Windows

You can define and save a set of options, so that you can apply them to future print jobs.

To save a set of printing options:

1. With the document open in your application, click **File > Print**.
2. To open the Printing Preferences window, select your printer, then click **Properties** or **Preferences**.
3. In the Printing Properties window, click the tabs, then select the desired settings
4. At the bottom of the Printing Properties window, click **Saved Settings**, then click **Save As**.
5. To save the set of options in the Saved Settings list, type a name for the set of printing options, then click **OK**.
6. To print using these options, select the name from the list.

Macintosh Printing Options

Selecting Printing Options for Macintosh

To use specific printing options, change the settings before sending the job to the printer.

1. With the document open in your application, click **File > Print**.
2. Select your printer.
3. Select **Xerox® Features** from the Copies & Pages menu.
4. Select the desired printing options from the drop-down lists.
5. Click **Print** to send the job to the printer.

Saving a Set of Commonly Used Printing Options for Macintosh

You can define and save a set of options, so that you can apply them to future print jobs.

To save a set of printing options:

1. With the document open in your application, click **File > Print**.
2. Select your printer from the Printers list.
3. Select the desired printing options from the drop-down lists in the Print dialog box.
4. Click **Presets > Save As**.
5. Type a name for the printing options, then click **OK** to save the set of options in the Presets list.
6. To print using these options, select the name from the Presets list.

Printing from Mobile Devices

This section includes:

- [Printing with AirPrint](#) 86
- [Printing with Xerox® PrintBack](#)..... 86

Depending on the type of device, you can print from your mobile device using Wi-Fi Direct, AirPrint, or Xerox® PrintBack.

Printing with AirPrint

You can print directly from your iPhone, iPad, iPod touch, or Mac using AirPrint. To enable AirPrint for your printer, see [Configuring AirPrint](#) on page 57. To use AirPrint, ensure that your mobile device is connected to the wireless network.

To print with AirPrint:

1. Open the email, photograph, website page, or document that you want to print.
2. Tap the Action icon.
3. Tap **Print**.
4. Select your printer, then set the printer options.
5. Tap **Print**.

Printing with Xerox® PrintBack

This printer supports printing from Android or iOS mobile devices using Xerox® PrintBack. PrintBack consists of three components.

- **Xerox® PrintBack app:** Installed on your mobile device, the app sends print jobs to your selected online service.
- **Online service:** A Web-based service, such as Dropbox or an email provider, transmits jobs from your mobile device to your computer.
- **Xerox® PrintBack agent:** Installed on your computer, the agent retrieves print jobs from the online service and prints them to your default printer.

To print, the computer and the default printer must be turned on and ready to print. If documents are sent while the computer or printer are not ready or not connected, the online service stores the documents. When the computer is turned on and connected to the network again, the documents are retrieved and printed.

For more information about PrintBack installation and setup, and for PrintBack printing instructions, see www.xerox.com/downloadprintback.

Using Custom Paper Sizes

This section includes:

- [Defining Custom Paper Sizes](#) 87
- [Printing on Custom Paper Sizes](#) 88

The Xerox® WorkCentre® 6025 Multifunction Printer prints on custom paper sizes that are within the minimum and maximum size range supported by the printer.

Defining Custom Paper Sizes

To print custom paper sizes, define the custom width and length of the paper in the print driver software and on the printer control panel. When setting the paper size, ensure that you specify the same size as the paper in the tray. Setting the wrong size can cause a printer error. Print driver settings override control panel settings when you print using the print driver software on your computer.

Defining a Custom Paper Size for Windows

You can save up to 20 custom paper sizes in the Windows print driver. Save each custom size with a unique name and the dimensions are retained until you change them.

1. Navigate to the list of printers on your computer:
 - For Windows Vista, click **Start > Control Panel > Hardware and Sound > Printers**.
 - For Windows Server 2003 and later, click **Start > Settings > Printers**.
 - For Windows 7, click **Start > Devices and Printers**.
 - For Windows 8, click **Control Panel > Devices and Printers**.

Note: If the Control Panel icon does not appear on the desktop, right-click on the desktop, then select **Personalize > Control Panel Home > Devices and Printers**.

2. From the Printers and Faxes window, select a printer, right-click the printer, and select **Properties**.

Notes:

- For Windows 7, in the Devices and Printers window, right click the printer, and select **Printer Properties** from the middle of the drop-down list.
 - For Windows 7, you must have an Administrator Account to select Custom Settings in the print driver.
3. In the Properties dialog box, click the **Configuration** tab, then click **Custom Paper Size**.
 4. In the Custom Paper Size Settings dialog box, select the units of measurement to use.

5. In the Custom Size Settings section, specify the size for the short edge and the long edge of the paper.
6. Select the **Name the Paper Size** check box, type a name in the Paper Name dialog box, then click **OK**.
7. In the Properties dialog box, click **OK**.
The custom size appears in the Paper Size list in the print driver Properties window.

Defining a Custom Paper Size for Macintosh

1. In the application you are printing from, select **File > Page Setup**.
2. From the Format For drop-down list, select the printer.
3. From the Paper Size drop-down list, select **Manage Custom Sizes**.
4. In the Custom Paper Sizes window, click plus (+) to add the new custom size.
5. For the custom paper size, enter the width and height.
6. In the Non-Printable Area drop-down list, select the printer.
7. Double-click **untitled**, then type a name for the new custom size.
8. Click **OK** to close the Custom Paper Sizes window.
9. Click **OK** to close the Page Setup window.
The new custom size is available in the Paper Size drop-down list of the print driver and in Page Setup.

Note: To use the custom paper size, select **Page Setup**, and select the custom size that you created from the Paper Size drop-down list.

Printing on Custom Paper Sizes

Note: Before printing on a custom paper size, use the Custom Paper Sizes feature in printer properties to define the custom size. For details, see [Defining Custom Paper Sizes](#) on page 87.

Printing on Custom Paper Size Using Windows

1. Load the custom-size paper in the tray.
2. In the application, click **File > Print** and select your printer.
3. In the Print dialog box, click **Properties**.
4. On the Paper/Output tab, use the **Paper Size** drop-down list to select the desired custom size.
Note: If you are printing on custom size paper, define the custom size in the printer properties before printing.
5. From the Paper Type drop-down list, select the paper type.
6. Select any other desired options, then click **OK**.
7. In the Print dialog box, click **OK** to start printing.

Printing on Custom Paper Size Using Macintosh

1. Load the custom-size paper. For details, see [Loading Paper](#) on page 69.
2. In the application, click **Page Setup**.
3. From the Paper Size drop-down list, select the custom paper size.
4. Click **OK**.
5. In the application, click **Print**.
6. Click **OK**.

Printing on Both Sides of the Paper

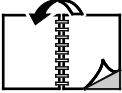



This section includes:

- [Setting Up 2-Sided Printing](#) 90
- [Loading Paper for Manual 2-Sided Printing](#) 91

The Xerox® WorkCentre® 6025 Multifunction Printer supports manual 2-sided printing. You can set printing preferences to print your jobs on both sides of the paper.

Use 2-Sided Printing to specify the page orientation for the printed output.

You can specify the page layout for 2-sided printing, which determines how the printed pages turn. These settings override the application page orientation settings.

Portrait		Landscape	
			
Portrait 2-Sided Print	Portrait 2-Sided Print, Flip on Short Edge	Landscape 2-Sided Print	Landscape 2-Sided Print, Flip on Short Edge

Setting Up 2-Sided Printing

To set up manual 2-sided printing:

1. From the File menu, select **Print**.
2. Select the printer from the Select Printer list, then click **Properties**.
3. From the Duplex window on the Paper/Output tab, select **Flip on Long Edge** or **Flip on Short Edge**.
4. Select the Paper Size and Paper Type to match the paper you are using.
5. To close the Printing Preferences dialog box, click **OK**.
6. To start printing, click **Print**.

Note: When you start manual 2-sided printing, the Manual Duplex Setup window appears. Do not close the window until you have completed the 2-sided printing. Once the window is closed, it cannot be reopened.

Loading Paper for Manual 2-Sided Printing

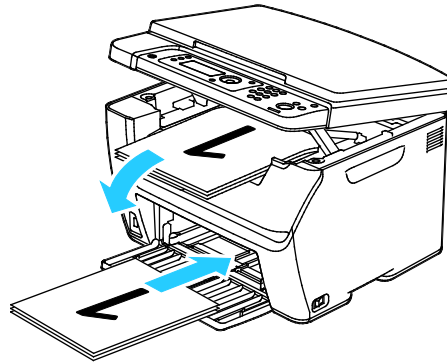
For manual 2-sided printing, the back sides of the pages are printed first in reverse order. For a six-page document, the pages are printed page 6, page 4, and then page 2. Once the even pages are printed, the paper is reloaded. The odd pages are printed page 1, page 3, and then page 5.

1. Load the paper to print the even pages.

Note: Load letterhead into the main tray with the printed side down and the top going into the printer.

Once the even pages have printed, the Error indicator lights and the Ready indicator flashes.

2. Remove the printed pages from the output tray and reload them into the main tray without rotating or flipping the pages. The unprinted sides of the pages are facing up.



3. Press **OK**.
The odd pages are printed, page 1, page 3, then page 5.

Printing From a USB Flash Drive

You can print a file stored on a USB Flash drive. The USB port is on the front of the printer. The print from USB function supports **.jpg**, **.pdf**, and **.tiff** file formats.

Notes:

- Before pressing the Print button or inserting the USB Flash drive, press the **Power Saver** button, then wait until the Power Saver indicator turns off.
- You can print files stored using the Scan to USB Memory feature. File types created from other sources can fail to print properly.

To print from the USB Flash drive:

1. Insert the USB Flash Drive into the USB memory port on the printer.
2. To select Print From, press the arrow buttons then press the **OK** button.

Note: If the USB Flash drive was already in the USB memory port, press the **Print** button.

3. To select a file, press the arrow buttons, then press **OK**.
4. Do one of the following:
 - To print the file page-size, press the arrow buttons to select **Auto On**.
 - To print the file the original size, press the arrow buttons to select **Auto Off**.If necessary, press the arrow buttons to highlight the file name.
5. Press the green **Start** button on the control panel.

Note: For best results, save files in **.jpg** format.

Copying

6

This chapter includes:

- Making Copies 94
- Copying an ID Card 96
- Adjusting Copying Options 97
- Changing the Default Copy Options 102

Making Copies

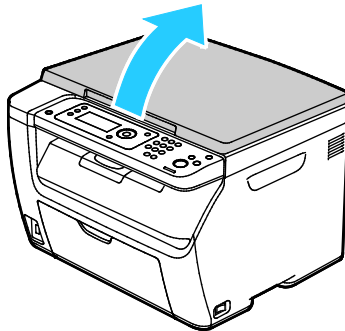
You can use the document glass to scan or copy a single page of a document at a time. The document glass accommodates original sizes up to 216 x 297 mm (8.5 x 11.7 in.).

You can use the document glass to copy or scan the following types of originals.

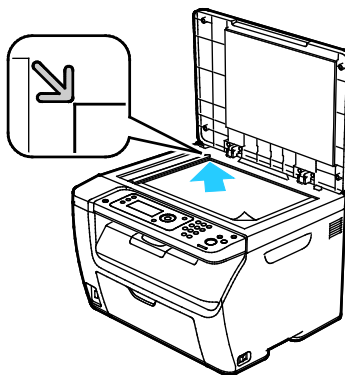
- Plain paper documents
- Paper with paper clips or staples attached
- Paper with wrinkles, curls, folds, tears, or notches
- Coated or carbonless paper or items other than paper such as cloth or metal
- Envelopes
- Books

To make a copy:

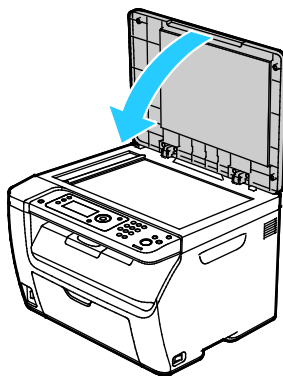
1. Open the document cover.



2. Place the original on the document glass.



3. Close the document cover.



4. At the control panel, press the **Copy** button.
5. To change a copying option, press the arrow buttons, select the option, then press **OK**.
Note: For details on how to customize the copy settings, see [Adjusting Copying Options](#) on page 97.
6. Using the control panel keypad, enter the desired number of copies.
7. Press the **Start** button.

Copying an ID Card

You can copy both sides of an ID card or small document onto one side of paper. Each side is copied using the same location on the document glass. The printer stores both sides and prints them side by side on the paper.

To copy an ID card:

1. Press **ID Card**.
2. Change the settings as needed.
3. Lift the document cover.
4. Place the ID card, or a document smaller than half the selected paper supply size, in the upper left corner of the document glass.
5. Position the ID card approximately 6 mm (0.25 in.) from the upper left corner of the document glass.
6. Close the document cover.
7. To scan the first side of the document, press **Start**.
8. If the document or ID card is 2-sided, open the document cover, then turn over the original document.
 - a. Reposition the document about 6 mm (0.25 in.) from the upper left corner of the document glass, then close the document cover.
 - b. Press the **Start** button.
9. Remove the ID card from the scanner.

Adjusting Copying Options

This section includes:

- [Basic Settings](#)..... 98
- [Image-Quality Settings](#) 100
- [Image-Layout Adjustments](#)..... 101

You can adjust numerous options for your copy jobs, specify characteristics of the original documents, and customize the output. You can also modify the default settings for many options. For details, see [Selecting the Default Copy Settings](#) on page 102.

Basic Settings

This section includes:

- [Selecting Color or Black and White Copies](#) 98
- [Specifying the Original Document Size](#) 98
- [Specifying the Output Size](#)..... 98
- [Collating Copies](#)..... 99
- [Reducing or Enlarging the Image](#) 99
- [Specifying the Original Document Type](#)..... 99

Selecting Color or Black and White Copies

If the original document contains color, you can create copies in full color or in black and white. The color mode indicators light to show the current setting.

Press the **Color Mode** button to toggle the selection between color and black and white.

Note: After the copy job is complete, the color mode returns to the default setting.

Specifying the Original Document Size

1. At the control panel, press the **Copy** button.
2. To select **Document Size**, press the arrow buttons, then press **OK**.
3. Select a document size from the list, then press **OK**.

Specifying the Output Size

1. At the control panel, press the **Copy** button.
2. To select **Output Paper Size**, press the arrow buttons, select an option, then press **OK**.
3. Select a document size from the list, then press **OK**.

Collating Copies

You can automatically collate multi-page copy jobs. For example, when making three 1-sided copies of a six-page document, the copies are printed in this order:

1, 2, 3, 4, 5, 6; 1, 2, 3, 4, 5, 6; 1, 2, 3, 4, 5, 6

Uncollated copies print in the following order:

1, 1, 1, 2, 2, 2, 3, 3, 3, 4, 4, 4, 5, 5, 5, 6, 6, 6

To select a collating option:

1. At the control panel, press the **Copy** button.
2. To specify collation, press the arrow buttons, select **Collated**, then press **OK**.
3. Select **On**, then press **OK**.

Note: If you copy documents with a large amount of data, you can exhaust available memory. To conserve memory, or if a memory shortage occurs, you can turn off Collated.

Reducing or Enlarging the Image

You can reduce the image to as little as 25 % of its original size or enlarge it as much as 400 %.

To reduce or enlarge the image:

1. At the control panel, press the **Copy** button.
2. To reduce or enlarge images, press the arrow buttons, select **Reduce/Enlarge**, then press **OK**.
3. Do one of the following:
 - To select a preset image size, press the up or down arrow buttons, select the size, then press **OK**.
 - To set the copy size in 1 % increments, press the arrow buttons, or to enter values directly, use the keypad.
4. Press **OK**.

Specifying the Original Document Type

The printer optimizes the image quality of the copies based on the type of images in the original document and how the original was created.

To specify the type of the original document:

1. At the control panel, press the **Copy** button.
2. To specify the original document type, press the arrow buttons, select **Original Type**, then press **OK**.
3. Select the document type.
 - **Text:** Use this option for black and white or colored text.
 - **Mixed:** Use this option for both text and photographs, such as magazines or newspapers.
 - **Photo:** Use this option for photographs.
4. Press **OK**.

Image-Quality Settings

This section includes:

- [Making the Image Lighter or Darker](#) 100
- [Adjusting the Sharpness](#) 100
- [Setting Auto Exposure](#) 100

You can adjust the image quality of your copy.

Making the Image Lighter or Darker

1. At the control panel, press the **Copy** button.
2. Navigate to **Lighten/Darken**, then press **OK**.
3. To lighten or darken the image, press the left or right arrow buttons to move the slider.
4. Press **OK**.

Adjusting the Sharpness

1. At the control panel, press the **Copy** button.
2. To select sharpness options, press the arrow buttons, select **Sharpness**, then press **OK**.
3. Select a sharpness setting, then press **OK**.

Setting Auto Exposure

Paper that is close to white, such as newsprint or parchment, can cause the printer to put toner on the entire page. The Auto Exposure setting removes the light background and only prints the image.

To set Auto Exposure:

1. At the control panel, press the **Copy** button.
2. Navigate to **Auto Exposure**, then press **OK**.
3. Select **On**, then press **OK**.

Image-Layout Adjustments

You can adjust the layout of your copy.

- You can copy a single page and have it print multiple times onto one or both sides of the paper. The printer reduces the pages proportionally to fit.
- You can set copy margins to adjust the placement of the image on the page.

To print multiple pages per side:

1. At the control panel, press the **Copy** button.
2. To select multiple copies per side, press the arrow buttons, select **N-Up**, then press **OK**.
3. Select an option:
 - **Off**: This option copies one original image onto one side of a page.
 - **Auto**: Copies two original pages, reduces the images, and prints them onto one side of a page.
 - **ID Card Copy**: Copies two original size images onto one side of a page.
 - **Manual**: Reduces the two original images, as specified in Reduce/Enlarge, and prints them onto one side of a page.
4. Press **OK**.

To set the copy margins:

1. At the control panel, press the **Copy** button.
2. To select a setting, press the arrow buttons, select it, then press **OK**.
3. To set the margin value, use the arrow buttons, then press **OK**.
4. Press **OK**.

Changing the Default Copy Options

This section includes:

- [Changing the Color Mode](#) 102
- [Changing the Auto Exposure Level](#)..... 102
- [Changing the Color Balance](#)..... 103

The printer uses the default copy settings on all copy jobs unless you change them for an individual job. You can modify the default copy settings.

To change the default copy settings:

1. On the printer control panel, press the **System** button.
2. To specify default settings, press the arrow buttons, select **Default Settings**, then press **OK**.
3. Select **Copy Defaults**, then press **OK**.
4. To select a setting, press the arrow buttons, select it, then press **OK**.
5. To confirm a new setting, select the desired setting, then press **OK**.
6. To return to the Ready screen, press **Return**.

Changing the Color Mode

1. To select **Color**, press the arrow buttons, then press **OK**.
2. Select a color setting:
 - **Black & White**
 - **Color**
3. Press **OK**.

Changing the Auto Exposure Level

1. To select **Auto Exposure Level**, press the arrow buttons, then press **OK**.
2. Select an auto exposure setting:
 - **Off**
 - **On**

The default setting is On.
3. Press **OK**.

Changing the Color Balance

The Color Balance control allows you to adjust the print color of your printer. Each of the four primary colors of red, green, blue, and gray balance, have five density settings. The density settings adjust the output based on the level of color saturation. Adjusting the setting negatively lowers the density and lightens the output. Adjusting the setting positively increases the density and darkens the output. Examples of low density areas include faces and sky.

To change the color balance:

1. To select **Color Balance**, press the arrow buttons, then press **OK**.
2. Select the color you want to adjust, then press **OK**.
3. To adjust the density setting from -2 through +2, press the arrow buttons.
4. Press **OK**.
5. Select another color and adjust its density, or press the **Return** button to return to the Ready screen.

Scanning

7

This chapter includes:

- [Scanning Using the Document Glass](#) 106
- [Scanning to a USB Flash Drive](#) 107
- [Scanning to a Folder on a USB Connected Computer](#) 108
- [Scanning to a Shared Folder on a Network Computer](#) 109
- [Scanning to an Email Address](#) 112
- [Scanning to an FTP Server](#) 113
- [Scanning Images into an Application on a USB Connected Computer](#) 114
- [Adjusting Scanning Settings](#) 116
- [Changing the Default Scan Settings](#) 119

See also:

[Setting up Scanning](#) on page 58

Scanning Using the Document Glass

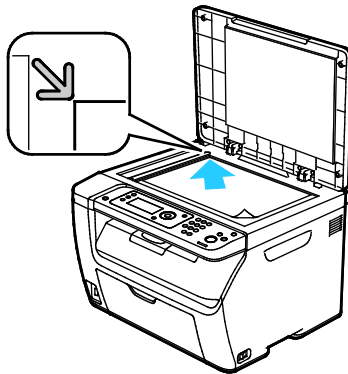
You can use the document glass to scan or copy a single page of a document at a time. The document glass accommodates original sizes up to 216 x 297 mm (8.5 x 11.7 in.).

You can use the document glass to copy or scan the following types of originals.

- Plain paper documents
- Paper with paper clips or staples attached
- Paper with wrinkles, curls, folds, tears, or notches
- Coated or carbonless paper or items other than paper such as cloth or metal
- Envelopes
- Books

Loading Documents for Scanning

Position the original document as shown.



Scanning to a USB Flash Drive

You can scan a document and store the scanned file on a USB Flash drive. The Scan to USB function supports **.jpg**, **.pdf**, and **.tiff** file formats.

Note: Before pressing the Scan button or inserting the USB Flash drive, press the **Power Saver** button, then wait until the Power Saver indicator turns off.

1. Load the original on the document glass or in the automatic document feeder.
2. Do one of the following:
 - Insert your USB Flash drive in the USB port on the front of the printer, then select **Scan to** using the arrow buttons.
 - Press the **Scan** button, press the arrow buttons to select **Scan to USB Memory**, then press **OK**.
3. Press **OK**.
4. Do one of the following:
 - To save the scanned file directly to the USB Flash drive, select **Save to USB Drive**, then press **OK**.
 - To save the scanned file to a folder on the USB Flash drive, press the arrow buttons to navigate to the folder, then press **OK**.
5. At Save to USB Drive or Save to this folder, press **OK**.
6. To select any scanning options you want to change, press the arrow buttons.
7. To select **Scan to**, press the arrow buttons.
8. To begin the scan, press **Start**.
9. If the **Another Page?** prompt appears, select an option:
 - **No** completes the scanning process.
 - **Yes** prompts you to place the next page on the document glass.
10. Select **Continue** or **Cancel the Action**.
11. Press **OK**.
The printer scans your images to the folder you specified.

Scanning to a Folder on a USB Connected Computer

1. Start Express Scan Manager:
 - Windows: Click **Start** > **Programs** > **Xerox**. Select your printer from the list. Double-click **Express Scan Manager**.
 - Macintosh: Navigate to **Applications** > **Xerox**. Select your printer from the list. Double-click **Express Scan Manager**.
2. Click **OK** to accept the default Destination Path folder, or click **Browse** to navigate to another folder.
3. Press **OK**.
4. Load the original on the document glass or in the automatic document feeder.
5. On the printer control panel, press the **Scan** button.
6. To select **Scan to Computer (USB)**, press the arrow buttons, then press **OK**.
7. To change any of the options, press the arrow buttons to select the option, then press **OK**.
8. To begin the scan, press the arrow buttons to select **Scan to**, then press **Start**.

An Express Scan Manager dialog box opens on your computer to indicate the progress. The printer scans your documents to the output destination specified in Express Scan Manager.

Scanning to a Shared Folder on a Network Computer

This section includes:

- [Sharing a Folder on a Windows Computer](#) 109
- [Sharing a Folder Using Macintosh OS X Version 10.5 and Later](#)..... 110
- [Adding a Folder as an Address Book Entry Using CentreWare Internet Services](#) 111
- [Scanning to a Folder on a Network Computer](#) 111

Before using the printer as a scanner on a network, you must:

1. Create a shared folder on your computer hard drive.
2. Create an address using CentreWare Internet Services or the Address Book Editor pointing the scanner to the computer.

Note: For more information, see [Connecting the Printer](#) on page 32.

Sharing a Folder on a Windows Computer

1. Open Windows Explorer.
2. Right-click the folder you want to share and select **Properties**.
3. Click the **Sharing** tab, then click **Share this folder**.
4. Click the **Permissions** button.
5. Select the **Everyone** group, and verify that all permissions are enabled.
6. Click **OK**.

Note: Remember the Share name for later use.

7. Click **OK** again.

Sharing a Folder Using Macintosh OS X Version 10.5 and Later

1. From the Apple menu, select **System Preferences**.
2. From the View menu, select **Sharing**.
3. From the Services list, select **File Sharing**.
4. Click the plus icon (+) below the Shared Folders field. A folder list appears.
5. Select the folder you want to share on the network, then click **Add**.
6. Select the folder you want to share from the Shared Folders window.
7. From the Users list, click **Everyone**.
8. From the list to the right of the Users window, use the arrow buttons to select user privileges for the shared folder.
9. Click the **Options** button.
10. Do one or more of the following:
 - Select **Share files and folders using AFP** to share this folder with other Macintosh computers.
 - Select **Share files and folders using FTP** to share this folder with computer connected to an FTP server.
 - Select **Share files and folders using SMB** to share this folder with Windows computers.
11. Select the **On** check box to the left of File Sharing in the Service pane.
The folder and its contents are shared with network users.
12. Close the Sharing window.

Note: When you open a shared folder, a Shared Folder banner appears in the Finder for the folder and its subfolders.

Adding a Folder as an Address Book Entry Using CentreWare Internet Services

1. At your computer, open a Web browser, in the address field, type the IP address of the printer, then press **Enter** or **Return**.

Note: If you do not know the IP address of your printer, see [Finding the IP Address of Your Printer](#) on page 27.

2. Click **Address Book**.
3. Under Network Scan (Comp./Serv.), click **Computer/Server Address Book**.
4. Click **Add** next to any empty field, and enter the following information:
 - **Name:** Enter the name that you want to appear in the Address Book.
 - **Network Type:** Select **Computer (SMB)**.
 - **Host Address:** Enter the IP address of your computer.
 - **Port Number:** Enter the default port number for SMB, 139, or select a number from the range provided.
 - **Login Name:** Enter your computer user name.
 - **Login Password:** Enter your computer login password.
 - **Re-enter Password:** Enter your login password again.
 - **Name of Shared Directory:** Enter a name for the directory or folder. For example, if you want the scanned files to go in a folder named *scans* type */scans*.
 - **Subdirectory Path:** Enter the path of the folder on the FTP server. For example, if you want the scanned files to go in a folder named *colorscans* inside the *scans* folder, type */colorscans*.
5. Click **Save Changes**.

Scanning to a Folder on a Network Computer

1. On the printer control panel, press the **Scan** button.
2. To select **Scan to Network**, press the arrow buttons, then press the **OK** button.
3. At **Scan to**, press **OK**.
4. At **Computer (Network)**, press **OK**.
5. To select the shared folder on your computer, press the arrow buttons, then press **OK**.
6. To change any other scan settings, press the arrow buttons to select the setting, and make the desired changes. For details, see [Adjusting Scanning Settings](#) on page 116.
7. To begin the scan, press the **Start** button.
8. If the **Another Page?** prompt appears, select an option:
 - **No** completes the scanning process.
 - **Yes** prompts you to place the next page on the document glass.
9. Select **Continue** or **Cancel the Action**.
10. Press **OK**.
The printer scans the documents to the shared folder on your computer.

Scanning to an Email Address

Before scanning to an email address, you must set up the printer up with the email server information. For details, see [Setting Up Scanning to an Email Address](#) on page 63.

To scan an image and send it to an email address:

1. On the printer control panel, press the **Scan** button.
2. To select **Scan to Email**, press the arrow buttons, then press **OK**.
3. At **Email to**, press **OK**.
4. Select the method for selecting the recipient:
 - **Keypad** allows you to enter the email address manually. Use the keypad to enter the address.
 - **Address Book** allows you to select an email address from the Address Book.
 - **Email Group** allows you to select a group email address from the Address Book.

Note: When using the Address Book, press the arrow buttons to select the address for the desired recipient. Press the **Forward Arrow** button to select **TO** or **BCC**. When finished selecting addresses, press **OK**.

5. To begin the scan, press the **Start** button.
6. If the **Another Page?** prompt appears, select an option:
 - **No** completes the scanning process.
 - **Yes** prompts you to place the next page on the document glass.
7. Select **Continue** or **Cancel the Action**.
8. Press **OK**.

The printer sends the scanned image as email attachments of the default file type.

See also:

[Adjusting Scanning Settings](#) on page 116

Scanning to an FTP Server

Before using this feature, you must:

1. Set up an FTP server.
2. Create an address for the printer to use. You can use CentreWare Internet Services or the Address Book Editor.

To scan to an FTP server:

1. Load the original on the document glass or in the automatic document feeder.
2. On the printer control panel, press the **Scan** button.
3. To select **Scan to Network**, press the arrow buttons, then press **OK**.
4. At **Scan to**, press **OK**.
5. To select **Server (FTP)**, press the arrow buttons, then press **OK**.
6. To select the FTP address, press the arrow buttons, then press **OK**.
7. To begin the scan, press the **Start** button.

The printer scans the document and places the image on the FTP server.

See also:

[Adjusting Scanning Settings](#) on page 116

Scanning Images into an Application on a USB Connected Computer

This section includes:

- [Scanning an Image into an Application](#) 114
- [Scanning an Image Using Windows 8](#)..... 114
- [Scanning an Image Using Windows Vista or Windows 7](#)..... 115
- [Scanning an Image Using Windows XP](#) 115

You can import images directly from the scanner into a folder on your computer. With a Macintosh computer, and some Windows applications, you can import the images directly into an application.

Scanning an Image into an Application

Note: Some Windows applications, including Office 2007, do not support this feature.

1. Open the file to insert the image.
2. In the file, select the insertion point for the image.
3. From the Windows toolbar, click **Image > Picture > From Scanner or Camera**.
4. From the Insert Image from Camera or Scanner window, select your device.
5. Click **Custom Insert**.
6. From the Basic Scanning tab, for Scan From, select an option.
7. To change any of the scanning settings, select them as needed.
8. To adjust crop lines, select **Preview** as needed.
9. Click **Scan**.

The printer scans the document and places the image in your application.

Scanning an Image Using Windows 8

1. From the Windows 8 Modern User Interface app, to access the **All Apps** menu, right-click anywhere on the screen, then find the **All Apps** icon at bottom right.
2. For Windows System heading, click **Control Panel**.
3. For Hardware and Sound, click **View devices and printers**.
4. Right-click on your printer, then click **New Scan**.
5. Select the scan settings, then click **Preview** or **Scan**.

Scanning an Image Using Windows Vista or Windows 7

1. On your computer, select **Start > All Programs > Windows Fax and Scan**.
2. Click **New Scan**.
3. If prompted, select your printer, then click **OK**.
4. Select the scan settings.
5. To preview the document or select a portion of the document to scan, select **Preview**.
The printer scans a preview copy of the image.
6. To select part of the document, clear **Preview or scan images as separate files**, then to resize the frame, use the corner points.
7. Click **Scan**.
The scanned image is stored in the default Scanned Documents folder or in a folder that you selected.

Scanning an Image Using Windows XP

1. On your computer, select **Start > Control Panel**.
2. Double-click **Scanners and Cameras**.
3. In the Scanners and Cameras window, click **Next**.
4. Double-click **Xerox WC6025**.
5. Select an option:
 - **Color picture**
 - **Grayscale picture**
 - **Black and white picture or text**
 - **Custom**
6. Select the paper source:
 - Document Glass
 - Document Feeder
7. To preview the document or select a portion of the document to scan, select **Preview**.
The printer scans a preview copy of the image.
8. To select a portion of the document to scan, click and drag the corner points to resize the frame.
9. Click **Next**.
10. Type a name for this group of pictures.
11. Select a file format.
12. Type a path name or browse to a location for the scanned images.
13. To save your image to the folder, in the Other Options window, select **Nothing**.
14. Click **Next**.
15. To view the scanned image, click the folder link in the window.
16. Click **Finish**.
The image is stored in the folder and ready for use in your applications.

Adjusting Scanning Settings

This section includes:

- [Setting the File Format](#)..... 116
- [Setting the Color Mode](#) 116
- [Setting the Scan Resolution](#) 117
- [Specifying the Original Size](#) 117
- [Making the Image Lighter or Darker](#) 117
- [Adjusting the Sharpness](#) 117
- [Changing the Auto Exposure Level](#)..... 117
- [Setting the Margins](#) 118

You can modify the scan settings for individual jobs, once you select the scan mode.

You can also change the default values of some settings. For details, see [Changing the Default Scan Settings](#) on page 119.

Setting the File Format

1. To select **File Format**, press the arrow buttons, then press **OK**.
2. Select a setting.
3. Press **OK**.

Setting the Color Mode

If the original image contains color, you can scan the image in color or in black and white. Selecting black and white significantly reduces the file size of the scanned images.

To set the color mode:

1. To select **Color Mode**, press the arrow buttons, then press **OK**.
2. Select a color mode.
3. Press **OK**.

Setting the Scan Resolution

The scan resolution depends on how you plan to use the scanned image. Scan resolution affects both the size and image quality of the scanned image file. Higher scan resolution produces better image quality and a larger file size.

To set the scan resolution:

1. To select **Resolution**, press the arrow buttons, then press **OK**.
2. Select an option.
3. Press **OK**.

Specifying the Original Size

1. To select **Document Size**, press the arrow buttons, then press **OK**.
2. Select the document size.
3. Press **OK**.

Making the Image Lighter or Darker

1. To select **Lighten/Darken**, press the arrow buttons, then press **OK**.
2. To lighten or darken the image, press the arrow buttons to move the slider.
3. Press **OK**.

Adjusting the Sharpness

1. To select **Sharpness**, press the arrow buttons, then press **OK**.
2. Select a sharpness setting:
 - **Sharpest**
 - **Sharper**
 - **Normal**
 - **Softer**
 - **Softest**

The default setting is Normal.

3. Press **OK**.

Changing the Auto Exposure Level

1. To select **Auto Exposure Level**, press the arrow buttons, then press **OK**.
2. Select an auto exposure setting:
 - **Off**
 - **On**

The default setting is On.

3. Press **OK**.

Setting the Margins

1. To select the margin you want to change, press the arrow buttons for:
 - **Margin Top/Bottom**
 - **Margin Left/Right**
 - **Margin Middle**
2. Press **OK**.
3. Adjust the margins from 0.0–2.0 in. using the arrow buttons.
4. Press **OK**.
5. Repeat the steps for other margins, then press the **Return** button.

Changing the Default Scan Settings

This section includes:

• Setting the Scan to Network Option.....	119
• Setting the File Format.....	120
• Changing the Color Mode	120
• Setting the Scan Resolution	120
• Setting the Color Button Sets	120
• Specifying the Original Size	120
• Making the Image Lighter or Darker	121
• Adjusting the Sharpness	121
• Changing the Auto Exposure Level.....	121
• Setting the Margins	121
• Setting the TIFF File Format.....	122
• Setting the Image Compression.....	122
• Setting the Maximum Email Size	122

The printer uses the default scan settings on all scan jobs unless you change them for an individual job. You can modify the default scan settings.

To change the default scan settings:

1. On the printer control panel, press the **System** button.
2. To specify default settings, press the arrow buttons, select **Default Settings**, then press **OK**.
3. Select **Scan Defaults**, then press **OK**.
4. To select the option that you want to modify, press the arrow buttons, then press **OK**.
5. To select the new setting, press the arrow buttons, then press **OK**.
Press **Return** at any time to return to the previous selection.

Setting the Scan to Network Option

1. To select **Scan to Network**, press the arrow buttons, then press **OK**.
2. To select a setting, press the arrow buttons:
 - **Computer (Network)**
 - **Server (FTP)**
3. Press **OK**.

Setting the File Format

1. To select **File Format**, press the arrow buttons, then press **OK**.
2. Select a setting.
3. Press **OK**.

Changing the Color Mode

1. To select **Color**, press the arrow buttons, then press **OK**.
2. Select a color setting:
 - **Black & White**
 - **Color**
3. Press **OK**.

Setting the Scan Resolution

The scan resolution depends on how you plan to use the scanned image. Scan resolution affects both the size and image quality of the scanned image file. Higher scan resolution produces better image quality and a larger file size.

To set the scan resolution:

1. To select **Resolution**, press the arrow buttons, then press **OK**.
2. Select an option.
3. Press **OK**.

Setting the Color Button Sets

1. To select **Color Button Set**, press the arrow buttons, then press **OK**.
2. Select **B & W Button**, then press **OK**.
3. Select a setting:
 - **Black & White**
 - **Grayscale**
4. Press **OK**.
5. Select **Color Button**, then press **OK**.
6. Select a setting:
 - **Color**
 - **Color (Photo)**
7. Press **OK**.

Specifying the Original Size

1. To select **Document Size**, press the arrow buttons, then press **OK**.
2. Select the document size.
3. Press **OK**.

Making the Image Lighter or Darker

1. To select **Lighten/Darken**, press the arrow buttons, then press **OK**.
2. To lighten or darken the image, press the arrow buttons to move the slider.
3. Press **OK**.

Adjusting the Sharpness

1. To select **Sharpness**, press the arrow buttons, then press **OK**.
2. Select a sharpness setting:
 - **Sharpest**
 - **Sharper**
 - **Normal**
 - **Softer**
 - **Softest**The default setting is Normal.
3. Press **OK**.

Changing the Auto Exposure Level

1. To select **Auto Exposure Level**, press the arrow buttons, then press **OK**.
2. Select an auto exposure setting:
 - **Off**
 - **On**The default setting is On.
3. Press **OK**.

Setting the Margins

1. To select the margin you want to change, press the arrow buttons for:
 - **Margin Top/Bottom**
 - **Margin Left/Right**
 - **Margin Middle**
2. Press **OK**.
3. Adjust the margins from 0.0–2.0 in. using the arrow buttons.
4. Press **OK**.
5. Repeat the steps for other margins, then press the **Return** button.

Setting the TIFF File Format

Note: TIFF files created by this printer can fail to open properly in some computer applications.

1. To select **TIFF File Format**, press the arrow buttons, then press **OK**.
2. Select a setting:
 - **TIFF V6**
 - **TTN2**
3. Press **OK**.

Setting the Image Compression

1. To select **Image Compression**, press the arrow buttons, then press **OK**.
2. Select a setting:
 - **Higher**
 - **Normal**
 - **Lower**
3. Press **OK**.

Setting the Maximum Email Size

1. To select **Max Email Size**, press the arrow buttons, then press **OK**.
2. To set a size from 50–16384 KB, press the arrow buttons, or use the alphanumeric keypad. The default setting is 2048 KB.
3. Press **OK**.

Maintenance

8

This chapter includes:






- [Cleaning the Printer](#) 124
- [Adjustments and Maintenance Procedures](#)..... 131
- [Toner Cartridges](#)..... 134
- [Ordering Supplies](#) 136
- [Managing the Printer](#) 137
- [Moving the Printer](#) 138

Cleaning the Printer

This section includes:

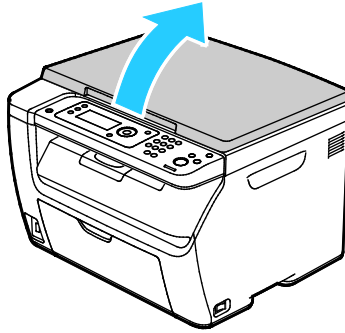
- [General Precautions](#) 124
- [Cleaning the Scanner](#) 125
- [Cleaning the Exterior](#) 126
- [Cleaning the Interior](#) 127

General Precautions

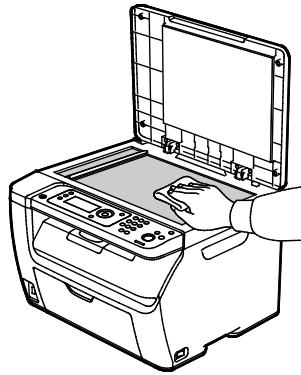
-  **CAUTION:** When cleaning your printer do not use organic or strong chemical solvents or aerosol cleaners. Do not pour fluids directly into any area. Use supplies and cleaning materials only as directed in this documentation.
 -  **WARNING:** Keep all cleaning materials out of the reach of children.
 -  **WARNING:** Do not use pressurized spray cleaning aids on or in the printer. Some pressurized sprays contain explosive mixtures and are not suitable for use in electrical applications. Use of pressurized spray cleaners increases the risk of fire and explosion.
 -  **WARNING:** Do not remove the covers or guards that are fastened with screws. You cannot maintain or service any parts that are behind these covers and guards. Do not attempt any maintenance procedure that is not described in the documentation supplied with your printer.
 -  **WARNING:** Internal parts of the printer can be hot. Use caution when doors and covers are open.
- Do not place anything on top of the printer.
 - Do not leave the covers and doors open for any length of time, especially in well-lit places. Light exposure can damage the imaging units.
 - Do not open covers and doors during printing.
 - Do not tilt the printer while it is in use.
 - Do not touch the electrical contacts or gears. Doing so could damage the printer and cause the print quality to deteriorate.
 - Ensure any parts removed during cleaning are replaced before you plug in the printer.

Cleaning the Scanner

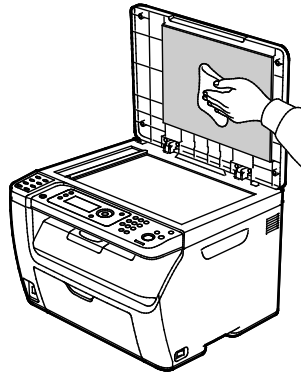
1. Moisten a soft, lint-free cloth with the glass cleaner of your choice.
2. Remove any paper or other media from the output tray.
3. Open the document cover.



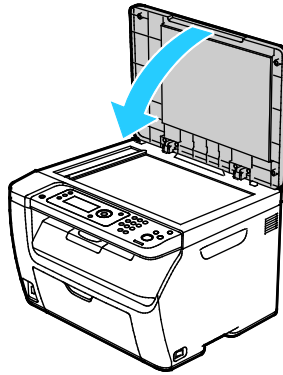
4. Wipe the surface of the document glass until it is clean and dry.



5. Wipe the white underside of the document cover until it is clean and dry.



6. Close the document cover.



Cleaning the Exterior

Clean the exterior of the printer once a month.

- Wipe the paper tray, output tray, control panel, and other parts with a damp, soft cloth.
- After cleaning, wipe with a dry, soft cloth.
- For stubborn stains, apply a small amount of mild detergent to the cloth and gently wipe the stain off.



CAUTION: Do not spray detergent directly on the printer. Liquid detergent could enter the printer through a gap and cause problems. Never use cleaning agents other than water or mild detergent.

Cleaning the Interior

After clearing paper jams or replacing a toner cartridge, inspect the inside of the printer before closing the printer covers and doors.

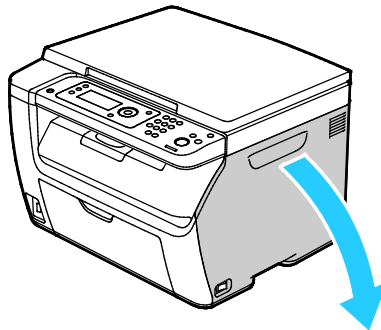
- Remove any remaining pieces of paper or debris. For details, see [Clearing Paper Jams](#) on page 148.
- Remove any dust or stains with a dry, clean cloth.



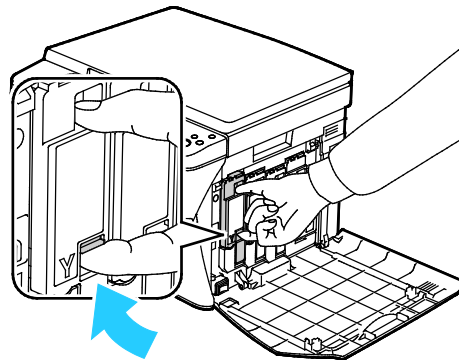
WARNING: Never touch a labeled area on or near the heat roller in the fuser. You can get burned. If a sheet of paper is wrapped around the heat roller, do not try to remove it immediately. Switch off the printer immediately and wait 20 minutes for the fuser to cool. Try to remove the jam after the printer has cooled.

Cleaning the LED Lenses

1. Turn off the printer.
2. Open the side door.

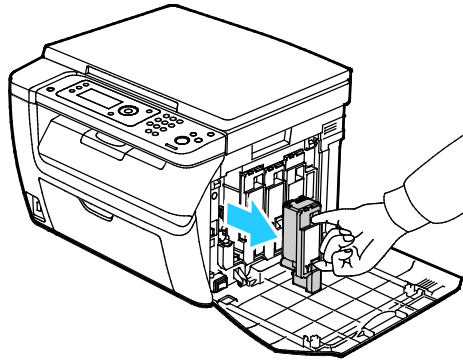


3. Pinch the release tab on the toner cartridge as shown.



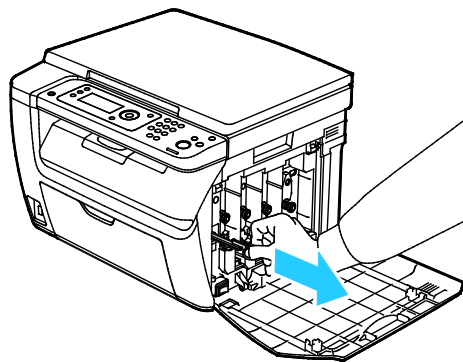
4. Pull out the toner cartridge.

Note: To avoid spilling toner, pull out the toner cartridge slowly.

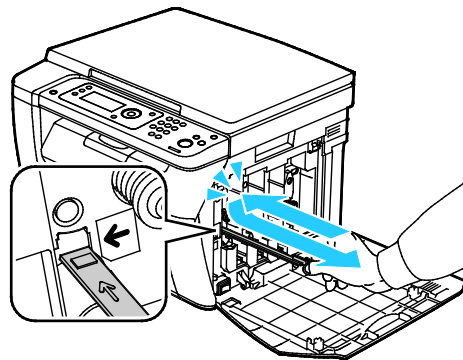


5. Remove the remaining toner cartridges in the same manner.
6. Pull out the cleaning rod.

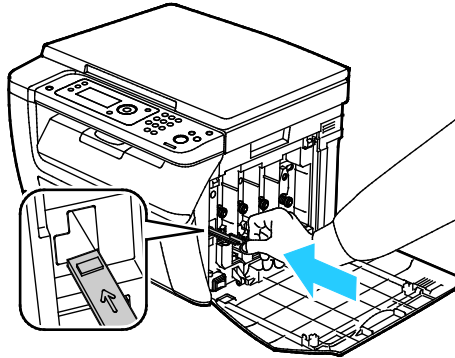
Note: To remove toner and debris from the top of the cleaning rod, wipe it with a clean lint-free cloth.



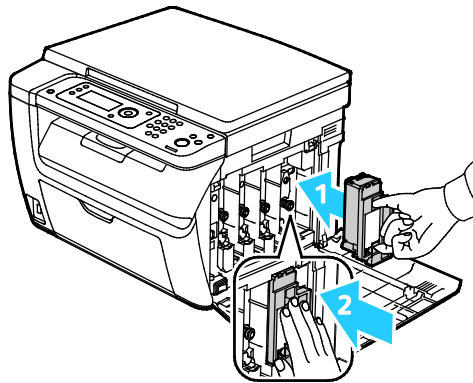
7. Insert the cleaning rod into the hole indicated by the arrow in the middle of the toner cartridge slot. Push in the cleaning rod until it stops, then pull it out.



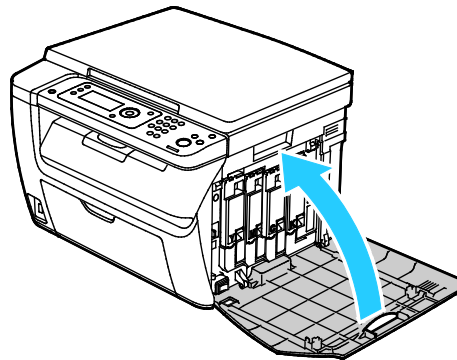
8. Repeat the procedure for the holes in the other three slots.
9. Return the cleaning rod to its original location.



10. Align the black toner cartridge with the rear toner slot. Press firmly near the center of the cartridge until it clicks into place.



11. Replace the remaining three toner cartridges in the same manner.
12. Close the side door.

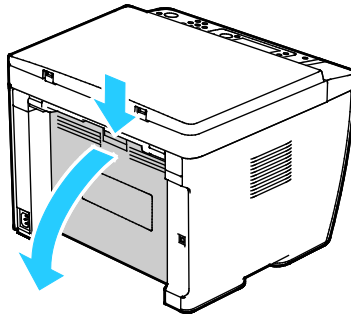


Cleaning the Toner Density Sensor

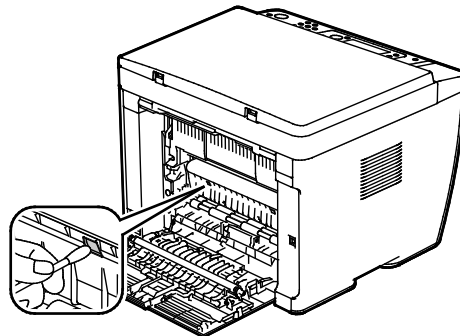
Clean the color toner density (CTD) sensor when an alert for the CTD sensor appears on the control panel or in the PrintingScout Printer Status window.

To clean the toner density sensor:

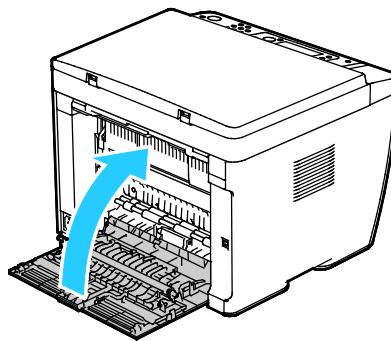
1. Turn off the printer.
2. Push down on the rear door release and pull open the door.



3. Use a dry cotton swab to clean the color toner density sensors.



4. Close the rear door.



Adjustments and Maintenance Procedures

This section includes:

- [Color Registration](#) 131
- [Adjusting Paper Type](#) 132
- [Adjusting the Bias Transfer Roller](#) 132
- [Adjusting the Fuser](#) 133
- [Refreshing the Bias Transfer Roller](#) 133
- [Adjusting the Altitude](#) 133

Color Registration

The printer automatically adjusts the color registration when automatic adjustment is turned on. You can also adjust color registration manually any time the printer is idle. You must adjust the color registration any time the printer is moved. If you are having printing problems, adjust the color registration.

Setting Automatic Color Registration

1. On the printer control panel, press the **System** button.
2. To select **Admin Menu**, press the arrow buttons, then press **OK**.
3. Select **Maintenance**, then press **OK**.
4. Select **Auto Regi Adjust**, then press **OK**.
5. Select **On**, then press **OK**.
6. To return to the Ready screen, press **Return**.

Performing an Automatic Color Registration Adjustment

Automatic color registration adjustment occurs every time a new toner cartridge is installed. You can run this adjustment at other times as needed.

To perform an automatic color registration adjustment:

1. On the printer control panel, press the **System** button.
2. To select **Admin Menu**, press the arrow buttons, then press **OK**.
3. Select **Maintenance**, then press **OK**.
4. Select **Adjust Color Regi**, then press **OK**.
5. At **Auto Adjust**, press **OK**.
6. At the **Are you sure?** prompt, press the arrow buttons to select **Yes**.
7. To begin the calibration, press **OK**.

Adjusting Paper Type

Use Adjust Paper Type to compensate for paper thickness within a paper type. If the printed image is too light, use a heavier setting for the paper you are using. If the printed image is mottled or blotchy-looking, decrease the setting for the paper you are using.

To adjust the paper type:

1. On the printer control panel, press the **System** button.
2. To select **Admin Menu**, press the arrow buttons, then press **OK**.
3. Select **Maintenance**, then press **OK**.
4. Select **Adjust Paper Type**, then press **OK**.
5. Select **Plain** or **Label**, then press **OK**.
6. Select **Lightweight** or **Heavyweight**, then press **OK**.
7. To return to the Ready screen, press **Return**.

Adjusting the Bias Transfer Roller

Use Adjust BTR to specify the bias transfer roller (BTR) voltage for printing on the selected paper type. If the printed image is too light, increase the offset for the paper you are using. If the printed image is mottled or blotchy-looking, decrease the offset for the paper you are using.

To adjust the bias transfer roller:

1. On the printer control panel, press the **System** button.
2. To select **Admin Menu**, press the arrow buttons, then press **OK**.
3. Select **Maintenance**, then press **OK**.
4. Select **Adjust BTR**, then press **OK**.
5. Press the arrow buttons to select the paper type for the adjustment, then press **OK**.
6. Press the arrow buttons to increase or decrease the amount of offset, then press **OK**.
7. Repeat this procedure for each paper type you need to adjust.
8. To return to the Ready screen, press **Return**.

Adjusting the Fuser

Use Adjust Fuser for optimum print quality across a wide range of paper types. If the toner on a print is smearing or can be rubbed off the paper, increase the offset for the paper you are using. If the toner is blistered or mottled, decrease the offset for the paper you are using.

To adjust the fuser:

1. On the printer control panel, press the **System** button.
2. To select **Admin Menu**, press the arrow buttons, then press **OK**.
3. Select **Maintenance**, then press **OK**.
4. Select **Adjust Fusing Unit**, then press **OK**.
5. To select the paper type for the adjustment, use the **Up** or **Down** arrow buttons, then press **OK**.
6. To increase or decrease the amount of offset, press the arrow buttons, then press **OK**.
7. Repeat this procedure for each paper type you need to adjust.
8. To return to the Ready screen, press **Return**.

Refreshing the Bias Transfer Roller

Use the BTR Refresh procedure to reduce paper curling and improve paper discharge.

To refresh the bias transfer roller:

1. On the printer control panel, press the **System** button.
2. To select **Admin Menu**, press the arrow buttons, then press **OK**.
3. Select **Maintenance**, then press **OK**.
4. Select **BTR Refresh**, then press **OK**.
5. Select **On**, then press **OK**.
6. To return to the Ready screen, press **Return**.

Adjusting the Altitude

Use Adjust Altitude to adjust the altitude to match that of the location where the printer is installed. If the altitude setting is incorrect, it can cause print-quality problems.

To adjust the altitude:

1. On the printer control panel, press the **System** button.
2. To select **Admin Menu**, press the arrow buttons, then press **OK**.
3. Select **Maintenance**, then press **OK**.
4. Select **Adjust Altitude**, then press **OK**.
5. Press the arrow buttons to select the altitude of the location of the printer, then press **OK**.
6. To return to the Ready screen, press **Return**.

Toner Cartridges

This section includes:

- [General Precautions](#) 134
- [Replacing Toner Cartridges](#) 134
- [Refreshing the Toner](#) 135
- [Cleaning the Developer](#) 135

General Precautions



WARNINGS:

- When replacing a toner cartridge, be careful not to spill the toner. If any toner spills, avoid contact with clothes, skin, eyes, and mouth. Do not inhale the toner dust.
- Keep toner cartridges out of the reach of children. If a child accidentally swallows toner, have the child spit out the toner, and rinse out their mouth with water. Consult a physician immediately.



WARNING: Use a damp cloth to wipe off spilled toner. Never use a vacuum cleaner to remove spills. Electric sparks inside the vacuum cleaner can cause a fire or explosion. If you spill a large volume of toner, contact your local Xerox representative.



WARNING: Never throw a toner cartridge into an open flame. Remaining toner in the cartridge can catch fire and cause burn injuries or an explosion.

Replacing Toner Cartridges

When a toner cartridge reaches its usable life span, the control panel displays a message. PrintingScout displays the toner status in the Printer Status window. When a toner cartridge is empty, the printer stops and displays messages on the control panel and in the PrintingScout Printer Status window.

Install only new cartridges in your printer. If a used toner cartridge is installed, then the toner remaining amount displayed could be inaccurate.

When Non-Genuine Toner is set to Off, the following messages appear on the display screen.

Message	Cause
Printer Toner Cartridge is Close to Life	The toner cartridge is low.
Replace Toner Cartridge	The toner cartridge is empty.

Refreshing the Toner

Toner Refresh recalibrates toner concentration and developer voltages. If you print documents with high or low ink coverage, Toner Refresh can optimize print quality.

To refresh the toner:

1. On the printer control panel, press the **System** button.
2. To select **Admin Menu**, press the arrow buttons, then press **OK**.
3. Select **Maintenance**, then press **OK**.
4. Select **Toner Refresh**, then press **OK**.
5. To select the toner to refresh, press the arrow buttons, then press **OK**.
6. Select **Yes**, then press **OK**.

The process runs automatically. Wait three minutes for the process to complete and the printer to return to Ready.

Note: Do not use this procedure repeatedly for a single toner color. Running the procedure repeatedly uses the toner supply more quickly.

Cleaning the Developer

The Clean Developer feature runs the developer motor and mixes the toner in the developer. Use the Clean Developer feature to refresh the toner after replacing a toner cartridge or if dark streaks are appearing in your prints.

To clean the developer:

1. On the printer control panel, press the **System** button.
2. To select **Admin Menu**, press the arrow buttons, then press **OK**.
3. Select **Maintenance**, then press **OK**.
4. Navigate to **Clean Developer**, then press **OK**.
5. Select **Yes**, then press **OK**.

The process runs automatically. Wait three minutes for the process to complete and the printer to return to Ready.

Ordering Supplies

This section includes:

- [Consumables.....](#) 136
- [When to Order Supplies.....](#) 136
- [Recycling Supplies.....](#) 136

Consumables

Consumables are printer supplies that get depleted during the operation of the printer. Consumable supplies for this printer are the Genuine Xerox[®] Toner Cartridges in Cyan, Magenta, Yellow, and Black.

Notes:


- Each consumable includes installation instructions.
- Install only new cartridges in your printer. If a used toner cartridge is installed, then the toner remaining amount displayed could be inaccurate.
- To ensure print quality, the toner cartridge has been designed to cease functioning at a predetermined point.

 **CAUTION:** Use of toner other than genuine Xerox[®] Toner can affect print quality and printer reliability. Xerox[®] Toner is the only toner designed and manufactured under strict quality controls by Xerox for specific use with this printer.

When to Order Supplies

A warning appears on the control panel when supplies near their replacement time. Verify that you have replacements on hand. It is important to order these items when the messages first appear to avoid interruptions to your printing. An error message appears on the control panel when supplies must be replaced.

Order supplies from your local reseller or go to www.xerox.com/office/WC6025supplies.

 **CAUTION:** Use of non-Xerox supplies is not recommended. The Xerox Warranty, Service Agreement, and Total Satisfaction Guarantee do not cover damage, malfunction, or degradation of performance caused by use of non-Xerox supplies, or the use of Xerox supplies not specified for this printer. The Total Satisfaction Guarantee is available in the United States and Canada. Coverage could vary outside these areas. Please contact your Xerox representative for details.

Recycling Supplies

For more information on the Xerox[®] supplies recycling program, go to: www.xerox.com/gwa.

Managing the Printer

This section includes:

- [Checking Page Counts](#) 137
- [Changing the Panel Lock Password](#)..... 137

Checking Page Counts

You can check the total number of printed pages on the Configuration Page. The Print Volume section lists the total number of pages printed on each paper size.

The Billing Meters menu shows the number of processed print jobs. There is a meter for each color mode. Meter readings track the total number of pages printed for the life of the printer. You cannot reset the meter readings.

Note: You cannot reset the meter readings.

Printing the Configuration Page

1. On the printer control panel, press the **System** button.
2. Navigate to Information Pages, then press **OK**.
3. Navigate to **Configuration**, then press **OK**.

Viewing the Billing Meters

1. On the printer control panel, press the **System** button.
2. Press the arrow buttons to select Billing Meters.
3. Press **OK**.

Changing the Panel Lock Password

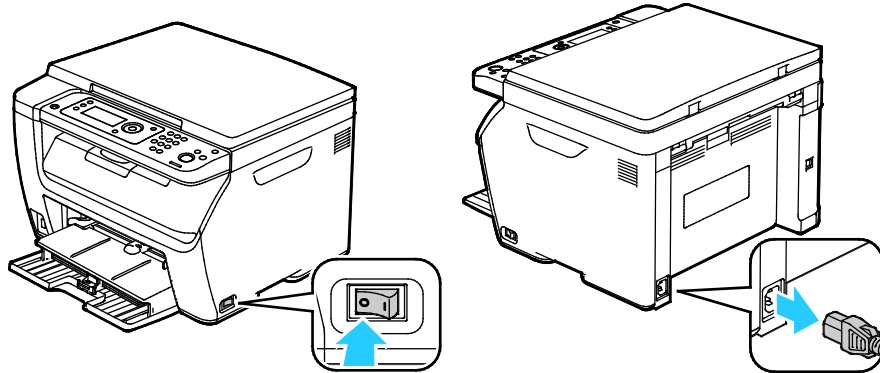
The Panel Lock password limits access to the Admin menu.


1. On the printer control panel, press the **System** button.
2. To select **Admin Menu**, press the arrow buttons, then press **OK**.
3. Enter the current four-digit password, then press **OK**.
4. Select **Secure Settings**, then press **OK**.
5. At **Panel Lock**, press **OK**.
6. Select **Change Password**, then press **OK**.
7. Enter a new four-digit password, then press **OK**. The default password is 0000.

Moving the Printer

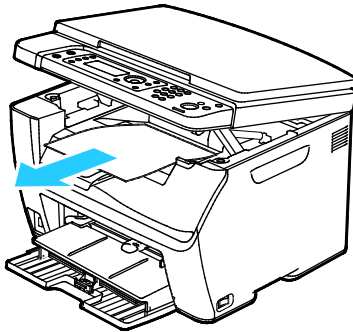
Follow these instructions when moving the printer:

1. Turn off the printer and disconnect the power cord and other cables from the back of the printer.

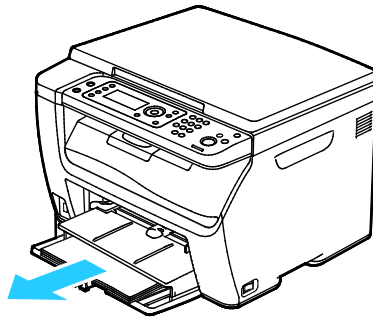


 **WARNING:** To prevent electric shock, never touch the power plug with wet hands. When removing the power cord, ensure that you pull the plug and not the cord. Pulling the cord can damage it, which can lead to fire or electric shock.

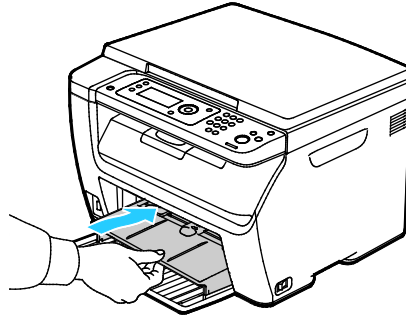
2. Remove any paper or other media from the output tray.



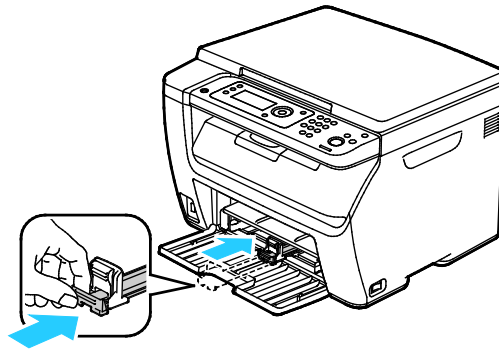
3. Remove the paper from the paper tray.
Keep the paper wrapped and away from humidity and dirt.



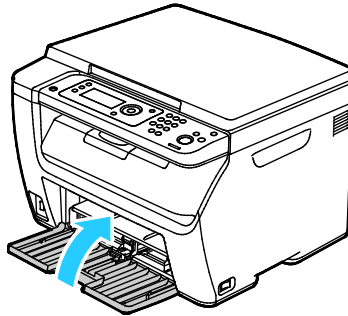
4. Lift the bypass tray and push it into the printer.



5. Push in the length guides and slide bar until they stop.



6. Close the front door.



7. Lift and carry the printer as shown in the illustration.

Note: To find the weight for your printer configuration, see [Physical Specifications](#) on page 165.



CAUTIONS:

- Failure to repackage the printer properly for shipment can result in damage not covered by the Xerox® Warranty, Service Agreement, or Total Satisfaction Guarantee. The Xerox® Warranty, Service Agreement, or Total Satisfaction Guarantee do not cover damage to the printer caused by improper moving.
- When moving the printer, do not tilt it more than 10 degrees to the front, back, left, or right. Tilting the printer more than 10 degrees can cause toner spillage.

After moving the printer:

1. Reinstall any parts you removed.
2. Reconnect the printer to the cables and power cord.
3. Plug in and turn on the printer.

Troubleshooting

9

This chapter includes:

- [General Troubleshooting](#) 142
- [Paper Jams](#)..... 145
- [Print-Quality Problems](#) 156
- [Getting Help](#) 162

General Troubleshooting

This section includes:

- [Printer Does Not Turn On](#) 142
- [Printer Resets or Turns Off Frequently](#) 142
- [Printer Does Not Print](#) 143
- [Printing Takes Too Long](#) 144
- [Printer is Making Unusual Noises](#) 144
- [Condensation has Formed Inside the Printer](#) 144

This section contains procedures to help you locate and resolve problems. Resolve some problems by simply restarting the printer.

Printer Does Not Turn On

Probable Causes	Solutions
The power switch is not turned on.	Turn on the switch.
The power cord is not correctly plugged into the outlet.	Turn off the printer power switch, and plug the power cord securely into the outlet.
Something is wrong with the outlet connected to the printer.	<ul style="list-style-type: none"> • Plug another electrical appliance into the outlet and see if it operates properly. • Try a different outlet.
The printer is connected to an outlet with a voltage or frequency that does not match the printer specifications.	Use a power source with the specifications listed in the Electrical Specifications on page 167.

 **CAUTION:** Plug the three-wire cord with grounding prong directly into a grounded AC outlet.

Printer Resets or Turns Off Frequently

Probable Causes	Solutions
The power cord is not plugged into the outlet correctly.	Turn off the printer, confirm that the power cord is plugged in correctly to the printer and the outlet, then turn on the printer.
A system error occurred.	Turn off the printer, then turn it on again. If the error persists, contact your Xerox representative.
The printer is connected to an uninterruptible power supply.	Turn off the printer, then connect the power cord to a suitable outlet.
The printer is connected to a power strip shared with other high-power devices.	Plug the printer directly into the outlet or into a power strip that is not shared with other high-power devices.

Printer Does Not Print

Probable Causes	Solutions
The printer is in Energy Saver mode.	Push the control panel button.
The printer has an error.	Follow the instructions on the control panel to clear the error. If the error persists, contact your Xerox representative.
The printer is out of paper.	Load paper into the tray.
A toner cartridge is empty.	Replace the empty toner cartridge.
The Error Indicator is blinking.	If the Ready Indicator is off, the printer has stopped working. Turn off the printer, then turn it on again. If the error persists, contact your Xerox representative.
Both control panel indicators are off.	Turn off the printer, confirm that the power cord is plugged in correctly to the printer and the outlet, then turn on the printer. If the error persists, contact your Xerox representative.
The printer is busy.	<ul style="list-style-type: none"> • If the Ready Indicator is flashing, it is normal. A previous print job could be the problem. Use the printer properties to delete all print jobs in the print queue. • Load the paper in the tray. • If the Ready Indicator is not flashing after you send a print job, check the USB connection between the printer and the computer. Turn off the printer, then turn it on again.
The printer cable is disconnected.	<ul style="list-style-type: none"> • If the Ready Indicator is not flashing after you send a print job, check the USB connection between the printer and the computer. • If the Ready Indicator is not flashing after you send a print job, check the Ethernet connection between the printer and the computer.

Printing Takes Too Long

Probable Causes	Solutions
The printer is set to a slower printing mode. For example, the printer could be set to print on Heavyweight paper.	It takes more time to print on certain types of special paper. Ensure that the paper type is set properly in the driver and at the printer control panel.
The printer is in Power Saver mode.	It takes time for printing to start when the printer is coming out of Power Saver mode.
The way the printer was installed on the network could be an issue.	Determine if a print spooler or a computer sharing the printer is buffering all print jobs and then spooling them to the printer. Spooling can slow print speeds. To test the speed of the printer, print an information page from the control panel. If the page does not print at the rated speed of the printer, there could be a network or printer installation issue. Contact the system administrator.
The job is complex.	Wait. No action needed.

Printer is Making Unusual Noises

Probable Causes	Solutions
There is an obstruction or debris inside the printer.	Turn off the printer and remove the obstruction or debris. If you cannot remove it, contact your Xerox representative.

Condensation has Formed Inside the Printer

Moisture can condense inside a printer where the humidity is above 85 % or when a cold printer is located in a warm room. Condensation can form in a printer after it has been sitting in a cold room that is heated quickly.

Probable Causes	Solutions
The printer has been sitting in a cold room.	Allow the printer to operate for several hours at room temperature.
The relative humidity of the room is too high.	<ul style="list-style-type: none"> • Reduce the humidity in the room. • Move the printer to a location where the temperature and relative humidity are within the operating specifications.

Paper Jams

This section includes:

- [Minimizing Paper Jams](#)..... 145
- [Locating Paper Jams](#)..... 147
- [Clearing Paper Jams](#) 148
- [Troubleshooting Paper Jams](#)..... 154

Minimizing Paper Jams

The printer is designed to function with minimal paper jams using Xerox supported paper. Other paper types can cause jams. If supported paper is jamming frequently in one area, clean that area of the paper path.

The following can cause paper jams:

- Selecting the incorrect paper type in the print driver.
- Using damaged paper.
- Using unsupported paper.
- Loading paper incorrectly.
- Overfilling the tray.
- Adjusting the paper guides improperly.

Most jams can be prevented by following a simple set of rules:

- Use only supported paper. For details, see [Supported Paper](#) on page 66.
- Follow proper paper handling and loading techniques.
- Always use clean, undamaged paper.
- Avoid paper that is curled, torn, moist, creased, or folded.
- To separate the sheets before loading into the tray, fan the paper.
- Observe the paper tray fill line; never overfill the tray.
- Adjust the paper guides in all trays after inserting the paper. A guide that is not properly adjusted can cause poor print quality, misfeeds, skewed prints, and printer damage.
- After loading the trays, select the correct paper type and size on the control panel.
- When printing, select the correct type and size in the print driver.
- Store paper in a dry location.
- Use only Xerox paper and transparencies designed for the printer.

Avoid the following:

- Polyester coated paper that is specially designed for inkjet printers.
- Paper that is folded, wrinkled, or excessively curled.
- Loading more than one type, size, or weight of paper in a tray at the same time.
- Overfilling the trays.
- Allowing the output tray to overflow.

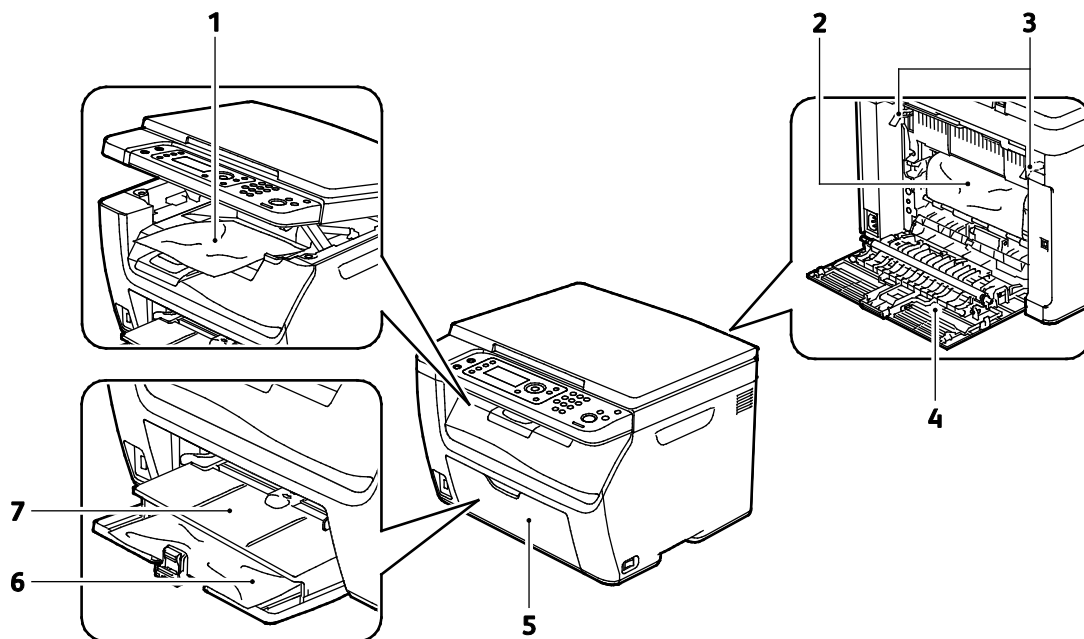
For a detailed list of supported paper, go to www.xerox.com/paper.

Locating Paper Jams

⚠ WARNING: Never touch a labeled area on or near the heat roller in the fuser. You can get burned. If a sheet of paper is wrapped around the heat roller, do not try to remove it immediately. Switch off the printer immediately and wait 20 minutes for the fuser to cool. Try to remove the jam after the printer has cooled. If the error persists, contact your Xerox representative.

⚠ CAUTION: Do not attempt to clear any paper jams using tools or instruments. This can permanently damage the printer.

The following illustration shows where paper jams occur along the paper path and the printer parts used for clearing paper jams.



1. Output Tray
2. Transfer Belt
3. Release Levers
4. Rear Door
5. Front Door
6. Main Tray
7. Bypass Tray

Clearing Paper Jams

This section includes:

- [Clearing Paper Jams From the Front of the Printer](#) 148
- [Clearing Paper Jams From the Back of the Printer](#) 149
- [Clearing Paper Jams From the Output Tray](#) 151

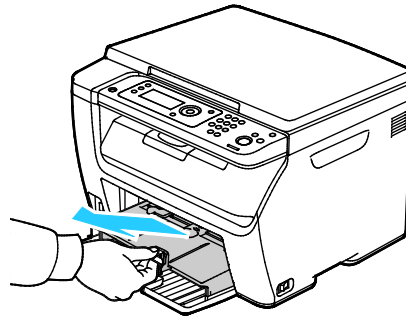
To facilitate clearing paper jams, you can activate Jam Recovery Mode. Jam Recovery Mode runs the printer for a brief period of time to move the paper further into the exit tray.

To run Jam Recovery Mode:

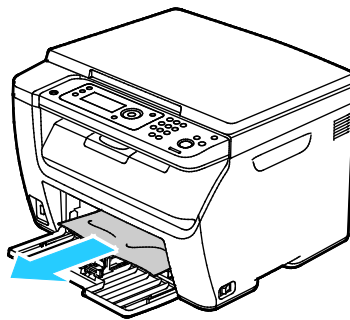
1. Press and hold the **Clear All** button for three seconds.
2. After the printer engine stops running, turn the power off, then remove the jammed paper.

Clearing Paper Jams From the Front of the Printer

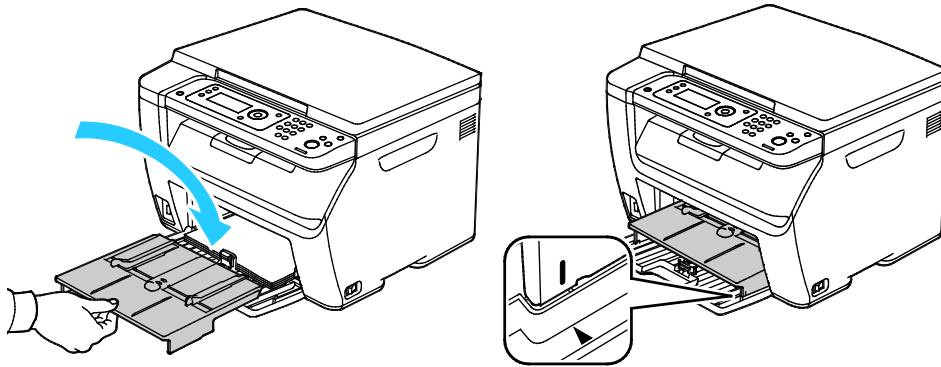
1. Remove any paper from the bypass tray.
2. Remove the bypass tray.



3. Remove any paper jammed at the front of the printer.



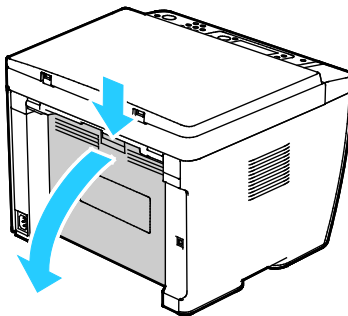
- Place the bypass tray on the main tray, then align the tabs with the marks.



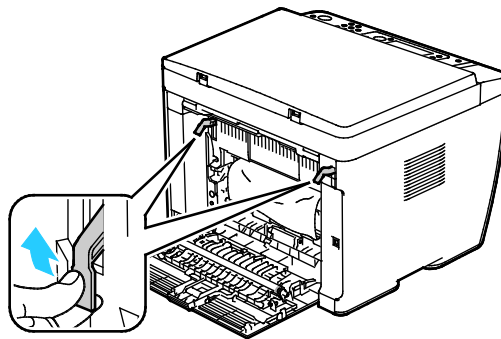
- Follow the instructions on the control panel display and in the Printer Status window of PrintingScout.
- Press **OK**.
- To resolve the error displayed on the control panel you must clear all paper from the paper path.

Clearing Paper Jams From the Back of the Printer

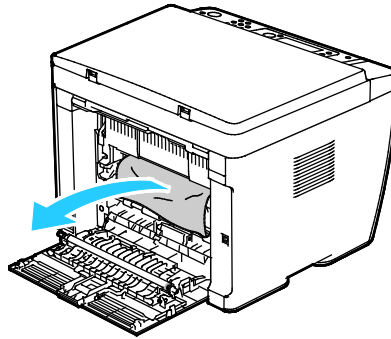
- Push down on the rear door release and pull open the door.



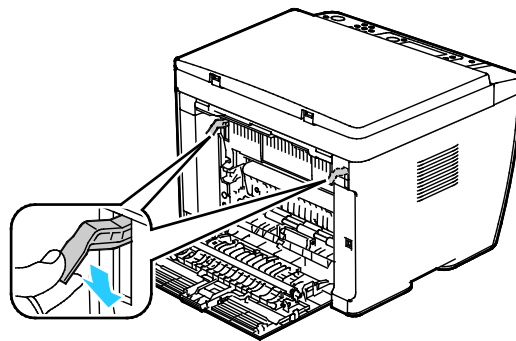
- Lift the levers as shown.



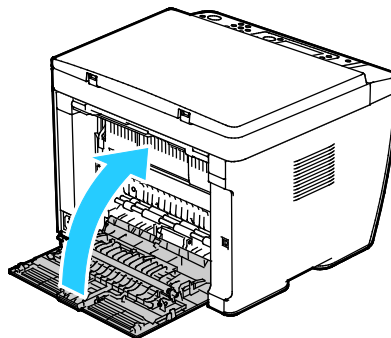
3. Remove any jammed paper from the back of the printer.



4. Lower the levers to their original position.



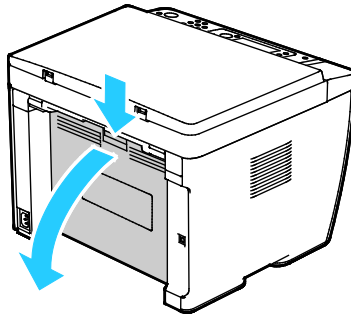
5. Close the rear door.



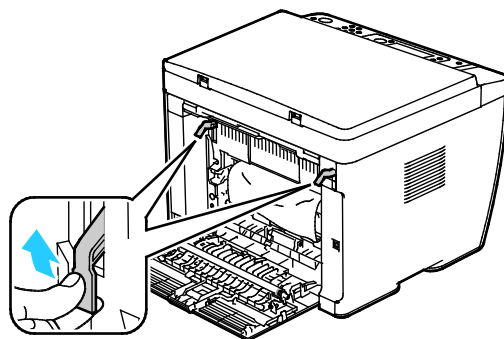
6. Follow the instructions on the control panel display and in the Printer Status window of PrintingScout.
7. Press **OK**.
8. To resolve the error displayed on the control panel you must clear all paper from the paper path.

Clearing Paper Jams From the Output Tray

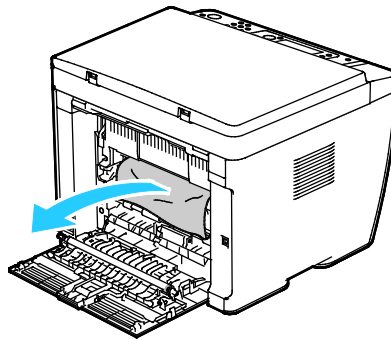
1. Push down on the rear door release and pull open the door.



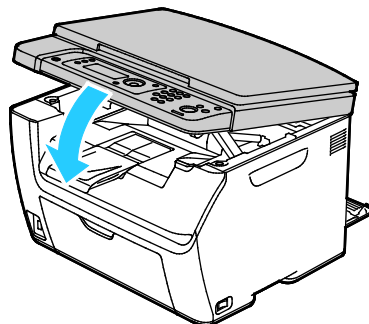
2. Lift the levers as shown.



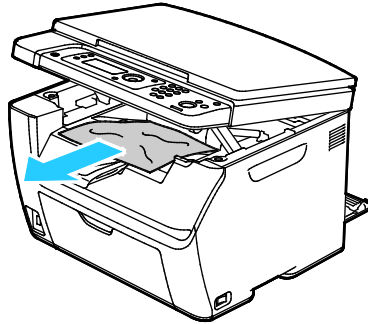
3. Remove any jammed paper from the back of the printer.



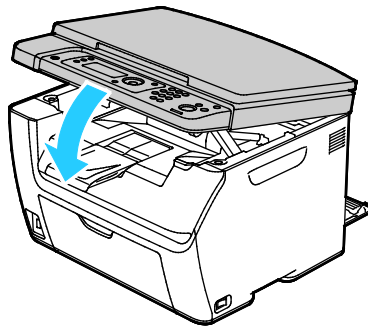
4. Lift and open the scanner.



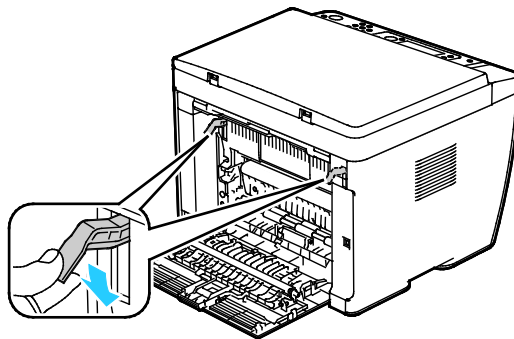
5. Remove any paper or other media from the output tray.



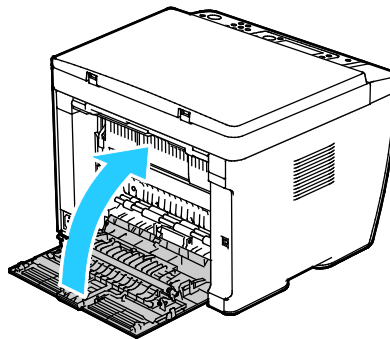
6. Lower the scanner and close it.



7. Lower the levers to their original position.



8. Close the rear door.



9. Follow the instructions on the control panel display and in the Printer Status window of PrintingScout.
10. Press **OK**.
11. To resolve the error displayed on the control panel you must clear all paper from the paper path.

Troubleshooting Paper Jams

This section includes:

- [Multiple Sheets Pulled Together](#)..... 154
- [Paper Misfeeds](#)..... 154
- [Label and Envelope Misfeeds](#) 155
- [Paper Jam Message Stays On](#)..... 155

Multiple Sheets Pulled Together

Probable Causes	Solutions
The paper tray is too full.	Remove some of the paper. Do not load paper past fill line.
The edges of the paper are not even.	Remove the paper, align the edges, and then reload it.
The paper is moist from humidity.	Remove the paper from the tray, and replace it with new dry paper.
Too much static electricity is present.	<ul style="list-style-type: none"> • Try a new ream of paper. • Do not fan transparencies before loading in tray.
Using unsupported paper.	Use only Xerox approved paper. For details, see Supported Paper on page 66.
Humidity is too high for coated paper.	Feed paper one sheet at a time.

Paper Misfeeds

Probable Causes	Solutions
The paper is not correctly positioned in the tray.	<ul style="list-style-type: none"> • Remove the misfed paper and reposition it properly in the tray. • Adjust the paper guides in the tray to match the size of the paper.
The paper tray is too full.	Remove some of the paper. Do not load paper past the fill line.
The paper guides are not correctly adjusted to the paper size.	Adjust the paper guides in the tray to match the size of the paper.
The tray contains warped or wrinkled paper.	Remove the paper, smooth it out, and reload it. If it still misfeeds, do not use that paper.
The paper is moist from humidity.	Remove the moist paper and replace it with new, dry paper.
Using paper of the wrong size, thickness, or type.	Use only Xerox approved paper. For details, see Supported Paper on page 66.

Label and Envelope Misfeeds

Probable Causes	Solutions
The label sheet is facing the wrong way in the tray.	<ul style="list-style-type: none"> Load label sheets according to the instructions from the manufacturer. Load labels face up in either tray.
Envelopes are loaded incorrectly.	<ul style="list-style-type: none"> Load No. 10, DL, and Monarch envelopes in the trays with the print side up, flaps closed, flap-side down, and the short edge leading into the printer. Load C5 envelopes with the print side up, flaps open and facing away from the printer.
No. 10, DL, and Monarch envelopes are wrinkling.	<p>To prevent wrinkling on No. 10, DL, C5, or Monarch envelopes, load them print side up, flaps open and facing away from the printer.</p> <p>Note: When you load envelopes long-edge feed, ensure that you specify landscape orientation in the print driver.</p>

Paper Jam Message Stays On


Probable Causes	Solutions
Some paper remains jammed in the printer.	<p>Recheck the media path and ensure that you have removed all of the jammed paper.</p> <p>Check for, and remove, torn pieces of paper in the paper path.</p>
One of the printer doors is open.	Check the doors on the printer and close any door that is open.
The rear door interlock switch is not reset.	To reset the interlock switch and clear the paper jam message, open and close the back door.

Print-Quality Problems

This section includes:

- [Controlling Print Quality](#)..... 156
- [Solving Print-Quality Problems](#)..... 157

Your printer is designed to produce consistently high-quality prints. If you observe print-quality problems, use the information in this section to troubleshoot the problem. For more information, go to www.xerox.com/office/WC6025support.

 **CAUTION:** The Xerox Warranty, Service Agreement, or Xerox Total Satisfaction Guarantee does not cover damage caused by using unsupported paper or specialty media. The Xerox Total Satisfaction Guarantee is available in the United States and Canada. Coverage could vary outside these areas. Please contact your local representative for details.

Notes:

- To ensure consistent print quality, the toner cartridges and imaging units for many models of equipment are designed to cease functioning at a predetermined point.
- Grayscale images printed with the composite black setting increment the color pages counter, because color consumables are used. Composite black is the default setting on most printers.

Controlling Print Quality


Various factors can affect the quality of the output of your printer. For consistent and optimum print quality, use paper and toner designed for your printer, and correctly set the Paper Type, Print-Quality Mode, and Color Adjustments. To maintain optimum print quality from your printer, follow the guidelines in this section.

Temperature and humidity affect the quality of the printed output. The guaranteed range for optimal quality is 15–28°C (59–82°F) and 20–70 % relative humidity.

Paper and Media

Your printer is designed to use various paper and other media types. Follow the guidelines in this section for the best print quality and to avoid jams:

- Use only Xerox approved paper. For details, see [Supported Paper](#) on page 66.
- Use only dry, undamaged paper.

 **CAUTION:** Some paper and other media types can cause poor output quality, increased paper jams, or damage your printer. Do not use the following:

- Rough or porous paper
 - Inkjet paper
 - Non-laser glossy or coated paper
 - Paper that has been photocopied
 - Paper that has been folded or wrinkled
 - Paper with cutouts or perforations
 - Stapled paper
 - Envelopes with windows, metal clasps, side seams, or adhesives with release strips
 - Padded envelopes
 - Plastic media
- Ensure the paper type selected in your print driver matches the paper type on which you are printing.
 - If you have the same size paper loaded in more than one tray, ensure that the proper tray is selected in the print driver.
 - Store your paper and other media properly for optimum print quality. For details, see [Paper Storage Guidelines](#) on page 67.

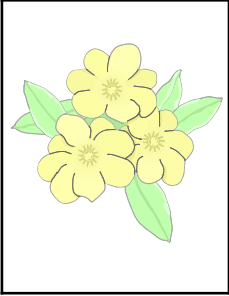
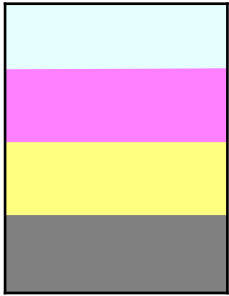
Solving Print-Quality Problems

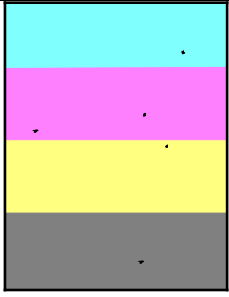
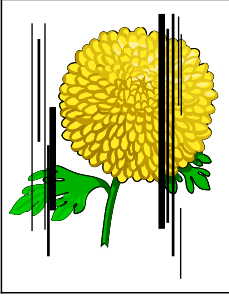
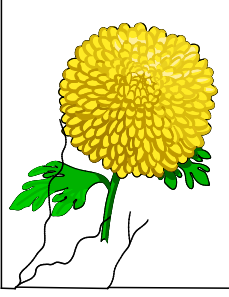
When the print quality is poor, select the closest symptom from the following table and see the corresponding solution to correct the problem. You can also print a Demo Page to more precisely determine the print-quality problem. For details, see [Information Pages](#) on page 24.

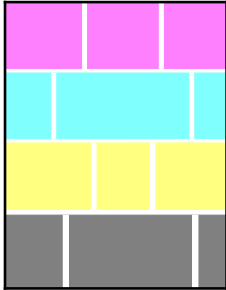
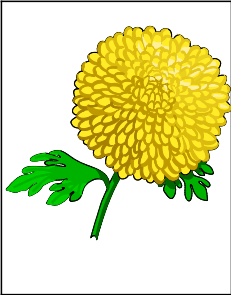
If the print quality does not improve after carrying out the appropriate action, contact your Xerox representative.


Notes:

- To enhance print quality, toner cartridges for many models of equipment have been designed to cease functioning at a predetermined point.
- Grayscale images printed with the composite black setting increment the color pages counter, because color consumables are used. Composite black is the default setting on most printers.

Symptom	Cause	Solution
<p>Faded printouts with multiple colors faded</p> 	The paper type is heavier or thicker than the paper type selection.	Adjust the paper type settings. For details, see Adjusting Paper Type on page 132.
	The paper being used is outside the recommended specification range.	Replace the paper with a recommended size and type, and confirm that your control panel and print driver settings are correct. For details, see Supported Paper on page 66.
	The toner cartridges are not Xerox® toner cartridges.	Replace the toner cartridges with genuine Xerox® toner cartridges. It can take several prints before full quality is restored.
	The bias transfer roller voltage is insufficient for the paper type.	Increase the bias transfer voltage for the selected paper type. For details, see Adjusting the Bias Transfer Roller on page 132.
	The fuser is not adjusted for the paper type.	Adjust the fuser. For details, see Adjusting the Fuser on page 133.
	The paper is damp.	Replace the paper.
	The high-voltage supply is defective.	For assistance, go to the Xerox® Support website at www.xerox.com/office/WC6025support .
<p>Only one color is faded</p> 	Toner cartridge is empty or damaged.	Check the condition of the toner cartridge and replace it if necessary.
<p>Stray black dots, white areas, or dropouts</p>	The paper is outside the recommended specification range.	Replace the paper with a recommended size and type, and confirm that your control panel and print driver settings are correct. For details, see Supported Paper on page 66.

Symptom	Cause	Solution
		
	The toner cartridges are not Xerox® toner cartridges.	Replace the toner cartridges with genuine Xerox® toner cartridges. For details, see Consumables on page 136.
<ul style="list-style-type: none"> Vertical black or color streaks or multiple colored streaks or lines Streaks in one color only 	The toner cartridges are not Xerox® toner cartridges.	Replace the toner cartridges with genuine Xerox® toner cartridges. For details, see Consumables on page 136.
	There is a problem with the toner cartridge for that color.	Check the condition of the toner cartridge and replace it if necessary. For assistance, go to the Xerox® Support website at www.xerox.com/office/WC6025support .
Color around the edge of printing is incorrect	The color registration is incorrect.	Adjust the color registration. For details, see Color Registration on page 131.
Partial blanks, creased paper, or blotted printing	The paper is damp.	Replace the paper.
	The paper is outside the recommended specification range.	Replace the paper with a recommended size and type, and confirm that your control panel and print driver settings are correct. For details, see Supported Paper on page 66.
	The printer is worn or damaged.	For assistance, go to the Xerox® Support website at www.xerox.com/office/WC6025support .
	The toner cartridges are not Xerox® toner cartridges.	Replace the toner cartridges with genuine Xerox® toner cartridges. For details, see Consumables on page 136.
	The altitude setting is incorrect.	Adjust the altitude setting of the printer. For details, see Adjusting the Altitude on page 133.

Symptom	Cause	Solution
	Condensation inside the printer causes partial blanks or creased paper.	Turn on the printer and leave it on for at least one hour remove the condensation. For assistance, go to the Xerox® Support website at www.xerox.com/office/WC6025support .
Vertical blanks 	The lenses are being blocked.	Clean the lenses inside of the printer. For details, see Cleaning the LED Lenses on page 127.
	The printer is worn or damaged.	For assistance, go to the Xerox® Support website at www.xerox.com/office/WC6025support .
	The toner cartridges are not Xerox® toner cartridges.	Replace the toner cartridges with genuine Xerox® toner cartridges. For details, see Consumables on page 136.
Slanted printing 	The paper guides are not correctly adjusted to the paper size.	Reset the paper tray guides. For details, see Loading Paper on page 69.
Colors are blurry or there is white area around objects	Color-to-color alignment is not correct.	Perform an automatic color registration adjustment. For details, see Color Registration on page 131.

Symptom	Cause	Solution
Blotchy or mottled images 	The paper is too light or too thin.	Choose a different paper type at the control panel, in the application, and in the print driver.
	The bias transfer roller voltage is insufficient for the paper type.	Increase the bias transfer voltage for the selected paper type. For details, see Adjusting the Bias Transfer Roller on page 132.
	The fuser is not adjusted for the paper type.	Adjust the fuser. For details, see Adjusting the Fuser on page 133.
	The paper is damp.	Replace the paper.
	The relative humidity of the room is too high.	Reduce the humidity in the room or move the printer to a new location.
Paper curls or frequent jams in the rear cover	The bias transfer roller needs to be refreshed.	Refresh the bias transfer roller. For details, see Refreshing the Bias Transfer Roller on page 133.

Getting Help

This section includes:

- [Error and Status Messages](#)..... 162
- [PrintingScout Alerts](#)..... 162
- [Online Support Assistant](#) 162

Your printer comes with utilities and resources to help you troubleshoot printing problems.

Error and Status Messages

The printer control panel provides information and troubleshooting help. When an error or warning condition occurs, the control panel informs you of the problem. Error messages warn you about printer conditions, such as low supplies or doors open, that require your attention.

PrintingScout Alerts

PrintingScout is a utility installed with your Xerox® print driver. It automatically checks the printer status when you send a print job. If the printer is unable to print, a PrintingScout alert appears on your computer screen to let you know that the printer needs attention. In the PrintingScout dialog box, click the alert to view instructions explaining how to fix the problem.

Note: PrintingScout is a Windows-only application.

Online Support Assistant

The Online Support Assistant is a knowledge base that provides instructions and troubleshooting help to solve your printer problems. You can find solutions for print-quality problems, paper jams, software installation issues, and more.

To access the Online Support Assistant, go to www.xerox.com/office/WC6025support.

Specifications



This appendix includes:

- Standard Features 164
- Physical Specifications..... 165
- Environmental Specifications 166
- Electrical Specifications..... 167
- Performance Specifications..... 168
- Controller Specifications 169

Standard Features

Functions	Copy, scan, and print
Print speed	<ul style="list-style-type: none"> Up to 12 ppm black and white Up to 10 ppm color
Copy speed	<ul style="list-style-type: none"> Up to 12 cpm black and white Up to 2.5 cpm color
Print resolution	600 x 600 dpi
Paper capacity	<p>100 sheets of standard paper in the output tray</p> <p>Main Tray</p> <ul style="list-style-type: none"> 150 sheets of standard paper One sheet of coated paper Five envelopes <p>Bypass Tray</p> <ul style="list-style-type: none"> 10 sheets of standard paper One sheet of coated paper One envelope
2-Sided Printing	Manual
Maximum copy size	216 x 297 mm (8.5 x 11.6 in.)
Maximum print size	Legal (216 x 356 mm, 8.5 x 14 in.)
Automatic Document Feeder	None
Control panel	Button-navigated menu with four-line display
Connectivity	<ul style="list-style-type: none"> Universal Serial Bus (USB 2.0) Wireless network adapter
Scan functions	<ul style="list-style-type: none"> Scan to USB Memory Scan to Computer
Scan resolution	Maximum Resolution: 1200 x 2400 dpi
Remote access	CentreWare Internet Services

Physical Specifications

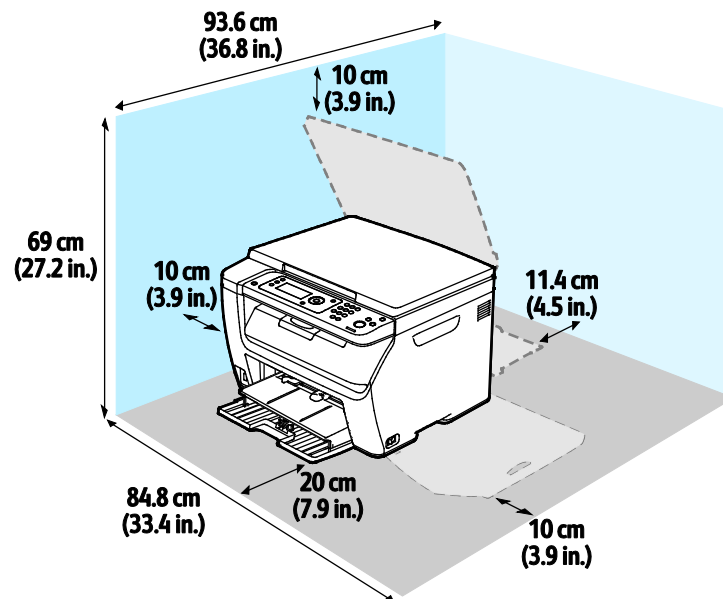
Dimensions and Weight

Width	410 mm (16.1 in.)
Depth	389 mm (15.3 in.)
Height	318 mm (12.5 in.)
Weight	15 kg (33.1 lb.)

Total Space Requirements

Width	848 mm (33.4 in.)
Depth	937 mm (36.9 in.)
Height	691 mm (27.2 in.)

Clearance Requirements



Environmental Specifications

Temperature

- Operating temperature: 10–32°C (50–90°F)
- Optimum temperature: 15–28°C (59–82°F)

Relative Humidity

- Minimum–Maximum Humidity Range: 15–85 % relative humidity at 28°C (82°F)
- Optimal Humidity Range: 20–70 % relative humidity at 28°C (82°F)

Note: Under extreme environmental conditions, such as 10°C and 85 % relative humidity, defects can occur due to condensation.

Elevation

For optimum performance, use the printer at elevations below 3100 m (10,170 ft.).

Electrical Specifications

Power Supply Voltage and Frequency

Power Supply Voltage	Power Supply Frequency
110–127 VAC +/-10%, (99–140 VAC)	50 Hz +/- 3 Hz 60 Hz +/- 3 Hz
220–240 VAC +/-10%, (198–264 VAC)	50 Hz +/- 3 Hz 60 Hz +/- 3 Hz

Power Consumption

Printer Mode	Power Consumption
Power Saver Mode 1 (Low Power)	11 W or less
Power Saver Mode 2 (Sleep)	3 W or less
Ready/Standby	55 W or less
Continuous printing	320 W or less

Note: This printer does not consume electric power when the power switch is turned off even if the printer is connected to an AC outlet.

ENERGY STAR Qualified Product

The Xerox® WorkCentre® 6025 Multifunction Printer is ENERGY STAR® qualified under the ENERGY STAR Program Requirements for Imaging Equipment.

The ENERGY STAR and ENERGY STAR mark are registered United States trademarks.



The ENERGY STAR Imaging Equipment Program is a team effort between United States, European Union, and Japanese governments and the office equipment industry to promote energy-efficient copiers, printers, fax, multifunction printers, personal computers, and monitors. Reducing product energy consumption helps combat smog, acid rain, and long-term changes to the climate by decreasing the emissions that result from generating electricity.

Xerox® ENERGY STAR equipment is preset at the factory to switch to Power Saver modes after 2 minutes from the last copy or print.

Performance Specifications

Printer warm up time	Power on: 32 seconds or less. Recovery from sleep mode: 32 seconds or less.
----------------------	--

Note: Warm up time assumes an ambient temperature of 22°C (71.6°F).

Controller Specifications

Processor

525 MHz ARM11MP

Memory

256 MB RAM

Interfaces

- Universal Serial Bus (USB 2.0)
- Wireless network connectivity

Regulatory Information

B

This appendix includes:

- [Basic Regulations](#) 172
- [Copy Regulations](#) 177
- [Material Safety Data Sheets](#)..... 180

Basic Regulations

Xerox has tested this printer to electromagnetic emission and immunity standards. These standards are designed to mitigate interference caused or received by this printer in a typical office environment.

United States FCC Regulations

This equipment has been tested and found to comply with the limits for a Class A digital device, pursuant to Part 15 of the FCC Rules. These limits are designed to provide reasonable protection against harmful interference when the equipment is operated in a commercial environment. This equipment generates, uses, and can radiate radio frequency energy. If it is not installed and used in accordance with these instructions, it may cause harmful interference to radio communications. Operation of this equipment in a residential area is likely to cause harmful interference in which case the user will be required to correct the interference at his/her own expense.

If this equipment does cause harmful interference to radio or television reception, which can be determined by turning the equipment off and on, the user is encouraged to try to correct the interference by one or more of the following measures:

- Reorient or relocate the receiving antenna.
- Increase the separation between the equipment and receiver.
- Connect the equipment into an outlet on a circuit different from that to which the receiver is connected.
- Consult the dealer or an experienced radio/TV technician for help.

Changes or modifications to this equipment not approved by Xerox can void the authority of the user to operate this equipment.

Note: To ensure compliance with Part 15 of the FCC rules, use shielded interface cables.

Canada

This Class A digital apparatus complies with Canadian ICES-003.

Cet appareil numérique de la classe A est conforme à la norme NMB-003 du Canada.

European Union



The CE mark applied to this product symbolizes a declaration of conformity by Xerox with the following applicable Directives of the European Union as of the dates indicated:

- December 12, 2006: Low Voltage Directive 2006/95/EC
- December 15, 2004: Electromagnetic Compatibility Directive 2004/108/EC
- March 9, 1999: Radio & Telecommunications Terminal Equipment Directive 1999/5/EC

This printer, if used properly in accordance with the instructions, is not dangerous for the consumer or for the environment.

To ensure compliance with European Union regulations, use shielded interface cables.

A signed copy of the Declaration of Conformity for this printer can be obtained from Xerox.

European Union Lot 4 Imaging Equipment Agreement Environmental Information

Environmental Information Providing Environmental Solutions and Reducing Cost

The following information has been developed to assist users and has been issued in relation to the European Union (EU) Energy Related Products Directive, specifically the Lot 4 study on Imaging Equipment. This requires manufacturers to improve environmental performance of in scope products and supports the EU action plan on energy efficiency.

In scope products are Household and Office equipment that meet the following criteria.

- Standard monochrome format products with a maximum speed less than 66 A4 images per minute
- Standard color format products with a maximum speed less than 51 A4 images per minute

Introduction

The following information has been developed to assist users and has been issued in relation to the European Union (EU) Energy Related Products Directive, specifically the Lot 4 study on Imaging Equipment. This requires manufacturers to improve environmental performance of in scope products and supports the EU action plan on energy efficiency.

In scope products are Household and Office equipment that meet the following criteria.

- Standard monochrome format products with a maximum speed less than 66 A4 images per minute
- Standard color format products with a maximum speed less than 51 A4 images per minute

Environmental Benefits of Duplex Printing

Most Xerox products have duplex printing, also known as 2-sided printing, capability. This enables you to print on both sides of the paper automatically, and therefore helps to reduce the use of valuable resources by reducing your paper consumption. The Lot 4 Imaging Equipment agreement requires that on models greater than or equal to 40 ppm color or greater than or equal to 45 ppm monochrome the duplex function has been auto enabled, during the setup and driver installation. Some Xerox models below these speed bands may also be enabled with 2-sided printing settings defaulted on at the time of install. Continuing to use the duplex function will reduce the environmental impact of your work. However, should you require simplex/1-sided printing, you may change the print settings in the print driver.

Paper Types

This product can be used to print on both recycled and virgin paper, approved to an environmental stewardship scheme, which complies with EN12281 or a similar quality standard. Lighter weight paper (60 g/m²), which contains less raw material and thus save resources per print, may be used in certain applications. We encourage you to check if this is suitable for your printing needs.

ENERGY STAR

The ENERGY STAR program is a voluntary scheme to promote the development and purchase of energy efficient models, which help to reduce environmental impact. Details on the ENERGY STAR program and models qualified to ENERGY STAR can be found at the following website:

www.energystar.gov/index.cfm?fuseaction=find_a_product.showProductGroup&pgw_code=IEQ

For additional information on energy or other related topics, please see

www.xerox.com/about-xerox/environment/enus.html or
www.xerox.co.uk/about-xerox/environment/engb.html.

Power Consumption and Activation Time

The amount of electricity a product consumes depends on the way the device is used. This product is designed and configured to enable you to reduce your electricity costs. After the last print, the device switches to Ready mode. In this mode, the device can print again immediately. If the product is not used for a period of time, the device switches to a Power Saver mode. In these modes, to enable reduced product power consumption, only essential functions remain active.

The product takes slightly longer to produce the first print after it exits Power Saver mode than it takes in Ready mode. This delay is the result of the system waking up from Power Saver mode and is typical of most imaging products on the market.

You can set a longer activation time or completely deactivate the Power Saver mode. This device can take longer to switch to a lower energy level.

To learn more about Xerox participation in sustainability initiatives, go to:

www.xerox.com/about-xerox/environment/enus.html.

Environmental Choice Certified to Office Machines CCD-035



This product is certified to Environmental Choice standard for office machines, meeting all requirements for reduced environmental impact. As part of achieving certification, Xerox Corporation has proven this product meets the Environmental Choice criteria for energy efficiency. Certified copier, printer, multifunctional device, and fax products must also meet criteria such as reduced chemical emissions and demonstrate compatibility with recycled supplies. Environmental Choice was established in 1988 to help consumers find products and services with reduced environmental impacts. Environmental Choice is a voluntary, multi-attribute, and lifecycle-based environmental certification. This certification indicates that a product has undergone rigorous scientific testing, exhaustive auditing, or both, to prove its compliance with stringent, third-party, environmental performance standards.

Germany

Blendschutz

Das Gerät ist nicht für die Benutzung im unmittelbaren Gesichtsfeld am Bildschirmarbeitsplatz vorgesehen. Um störende Reflexionen am Bildschirmarbeitsplatz zu vermeiden, darf dieses Produkt nicht im unmittelbaren Gesichtsfeld platziert werden.

Lärmemission

Maschinenlärminformations-Verordnung 3. GPSGV: Der höchste Schalldruckpegel beträgt 70 dB(A) oder weniger gemäß EN ISO 7779.

Importeur

Xerox GmbH

Hellersbergstraße 2-4

41460 Neuss

Deutschland

Turkey RoHS Regulation

In compliance with Article 7 (d), we hereby certify “it is in compliance with the EEE regulation.”

“EEE yönetmeliğine uygundur.”

Regulatory Information for 2.4 GHz Wireless Network Adapter

This product contains a 2.4 GHz Wireless LAN radio transmitter module which complies with the requirements specified in FCC Part 15, Industry Canada RSS-210 and European Council Directive 99/5/EC.

Operation of this device is subject to the following two conditions: (1) this device may not cause harmful interference, and (2) this device must accept any interference received, including interference that may cause undesired operation.

Changes or modifications to this device not specifically approved by the Xerox Corporation may void the user's authority to operate this equipment.

Copy Regulations

United States

Congress, by statute, has forbidden the reproduction of the following subjects under certain circumstances. Penalties of fine or imprisonment may be imposed on those guilty of making such reproductions.

1. Obligations or Securities of the United States Government, such as:
 - Certificates of Indebtedness.
 - National Bank Currency.
 - Coupons from Bonds.
 - Federal Reserve Bank Notes.
 - Silver Certificates.
 - Gold Certificates.
 - United States Bonds.
 - Treasury Notes.
 - Federal Reserve Notes.
 - Fractional Notes.
 - Certificates of Deposit.
 - Paper Money.
 - Bonds and Obligations of certain agencies of the government, such as FHA and so on.
 - Bonds. United States Savings Bonds may be photographed only for publicity purposes in connection with the campaign for the sale of such bonds.
 - Internal Revenue Stamps. If it is necessary to reproduce a legal document on which there is a canceled revenue stamp, this may be done provided the reproduction of the document is performed for lawful purposes.
 - Postage Stamps, canceled or uncanceled. For philatelic purposes, Postage Stamps may be photographed, provided the reproduction is in black and white and is less than 75 % or more than 150 % of the linear dimensions of the original.
 - Postal Money Orders.
 - Bills, Checks, or Drafts of money drawn by or upon authorized officers of the United States.
 - Stamps and other representatives of value, of whatever denomination, which have been or may be issued under any Act of Congress.
 - Adjusted Compensation Certificates for Veterans of the World Wars.
2. Obligations or Securities of any Foreign Government, Bank, or Corporation.
3. Copyrighted materials, unless permission of the copyright owner has been obtained or the reproduction falls within the “fair use” or library reproduction rights provisions of the copyright law. Further information of these provisions may be obtained from the Copyright Office, Library of Congress, Washington, D.C. 20559. Ask for Circular R21.

4. Certificate of Citizenship or Naturalization. Foreign Naturalization Certificates may be photographed.
5. Passports. Foreign Passports may be photographed.
6. Immigration papers.
7. Draft Registration Cards.
8. Selective Service Induction papers that bear any of the following Registrant's information:
 - Earnings or Income.
 - Court Record.
 - Physical or mental condition.
 - Dependency Status.
 - Previous military service.
 - Exception: United States military discharge certificates may be photographed.
9. Badges, Identification Cards, Passes, or Insignia carried by military personnel, or by members of the various Federal Departments, such as FBI, Treasure, and so on (unless photograph is ordered by the head of such department or bureau).

Reproducing the following is also prohibited in certain states:

- Automobile Licenses.
- Drivers' Licenses.
- Automobile Certificates of Title.

The preceding list is not all inclusive, and no liability is assumed for its completeness or accuracy. In case of doubt, consult your attorney.

For more information about these provisions contact the Copyright Office, Library of Congress, Washington, D.C. 20559. Ask for Circular R21.

Canada

Parliament, by stature, has forbidden the reproduction of the following subjects under certain circumstances. Penalties of fine or imprisonment may be imposed on those guilty of making such reproductions.

- Current bank notes or current paper money
- Obligations or securities of a government or bank
- Exchequer bill paper or revenue paper
- The public seal of Canada or of a province, or the seal of a public body or authority in Canada, or of a court of law
- Proclamations, orders, regulations, or appointments, or notices thereof (with intent to falsely cause same to purport to have been printed by the Queens Printer for Canada, or the equivalent printer for a province)
- Marks, brands, seals, wrappers, or designs used by or on behalf of the Government of Canada or of a province, the government of a state other than Canada or a department, board, Commission, or agency established by the Government of Canada or of a province or of a government of a state other than Canada

- Impressed or adhesive stamps used for the purpose of revenue by the Government of Canada or of a province or by the government of a state other than Canada
- Documents, registers, or records kept by public officials charged with the duty of making or issuing certified copies thereof, where the copy falsely purports to be a certified copy thereof
- Copyrighted material or trademarks of any manner or kind without the consent of the copyright or trademark owner

This list is provided for your convenience and assistance, but it is not all-inclusive, and no liability is assumed for its completeness or accuracy. In case of doubt, consult your solicitor.

Other Countries

Copying certain documents may be illegal in your country. Penalties of fine or imprisonment may be imposed on those found guilty of making such reproductions.

- Currency notes
- Bank notes and checks
- Bank and government bonds and securities
- Passports and identification cards
- Copyright material or trademarks without the consent of the owner
- Postage stamps and other negotiable instruments

This list is not inclusive and no liability is assumed for either its completeness or accuracy. In case of doubt, contact your legal counsel.

Material Safety Data Sheets

For Material Safety Data information regarding your printer, go to:

- North America: www.xerox.com/msds
- European Union: www.xerox.com/environment_europe

For the Customer Support Center phone numbers, go to www.xerox.com/office/worldcontacts.

Recycling and Disposal



This appendix includes:

- All Countries 182
- North America 183
- European Union 184
- Other Countries 186

All Countries

If you are managing the disposal of your Xerox product, please note that the printer may contain lead, mercury, perchlorate, and other materials whose disposal may be regulated due to environmental considerations. The presence of these materials is fully consistent with global regulations applicable at the time that the product was placed on the market. For recycling and disposal information, contact your local authorities. Perchlorate Material: This product may contain one or more Perchlorate-containing devices, such as batteries. Special handling may apply, please see www.dtsc.ca.gov/hazardouswaste/perchlorate.

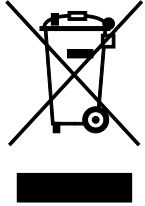
North America

Xerox operates an equipment take-back and reuse/recycle program. Contact your Xerox representative (1-800-ASK-XEROX) to determine if this Xerox product is part of the program. For more information about Xerox environmental programs, visit www.xerox.com/environment, or for recycling and disposal information, contact your local authorities.

European Union

Some equipment may be used in both a domestic/household and a professional/business application.

Domestic/Household Environment



Application of this symbol on your equipment is confirmation that you should not dispose of the equipment in the normal household waste stream.

In accordance with European legislation, end of life electrical and electronic equipment subject to disposal must be segregated from household waste.

Private households within EU member states may return used electrical and electronic equipment to designated collection facilities free of charge. Please contact your local disposal authority for information.

In some member states, when you purchase new equipment, your local retailer may be required to take back your old equipment free of charge. Please ask your retailer for information.

Professional/Business Environment



Application of this symbol on your equipment is confirmation that you must dispose of this equipment in compliance with agreed national procedures.

In accordance with European legislation, end of life electrical and electronic equipment subject to disposal must be managed within agreed procedures.

Prior to disposal, please contact your local reseller or Xerox representative for end of life take-back information.

Collection and Disposal of Equipment and Batteries



These symbols on the products and/or accompanying documents mean that used electrical and electronic products and batteries should not be mixed with general household waste.

For proper treatment, recovery, and recycling of old products and used batteries, please take them to applicable collection points, in accordance with your national legislation and the Directive 2002/96/EC and 2006/66/EC.

By disposing of these products and batteries correctly, you will help to save valuable resources and prevent any potential negative effects on human health and the environment which could otherwise arise from inappropriate waste handling.

For more information about collection and recycling of old products and batteries, please contact your local municipality, your waste disposal service or the point of sale where you purchased the items.

Penalties may be applicable for incorrect disposal of this waste, in accordance with national legislation.

Business Users in the European Union

If you wish to discard electrical and electronic equipment, please contact your dealer or supplier for further information.

Disposal Outside of the European Union

These symbols are only valid in the European Union. If you wish to discard these items, please contact your local authorities or dealer and ask for the correct method of disposal.

Battery Symbol Note



This wheeled bin symbol may be used in combination with a chemical symbol. This establishes compliance with the requirements set out by the Directive.

Battery Removal

Batteries should only be replaced by a MANUFACTURER-approved service facility.

Other Countries

Please contact your local waste management authority to request disposal guidance.