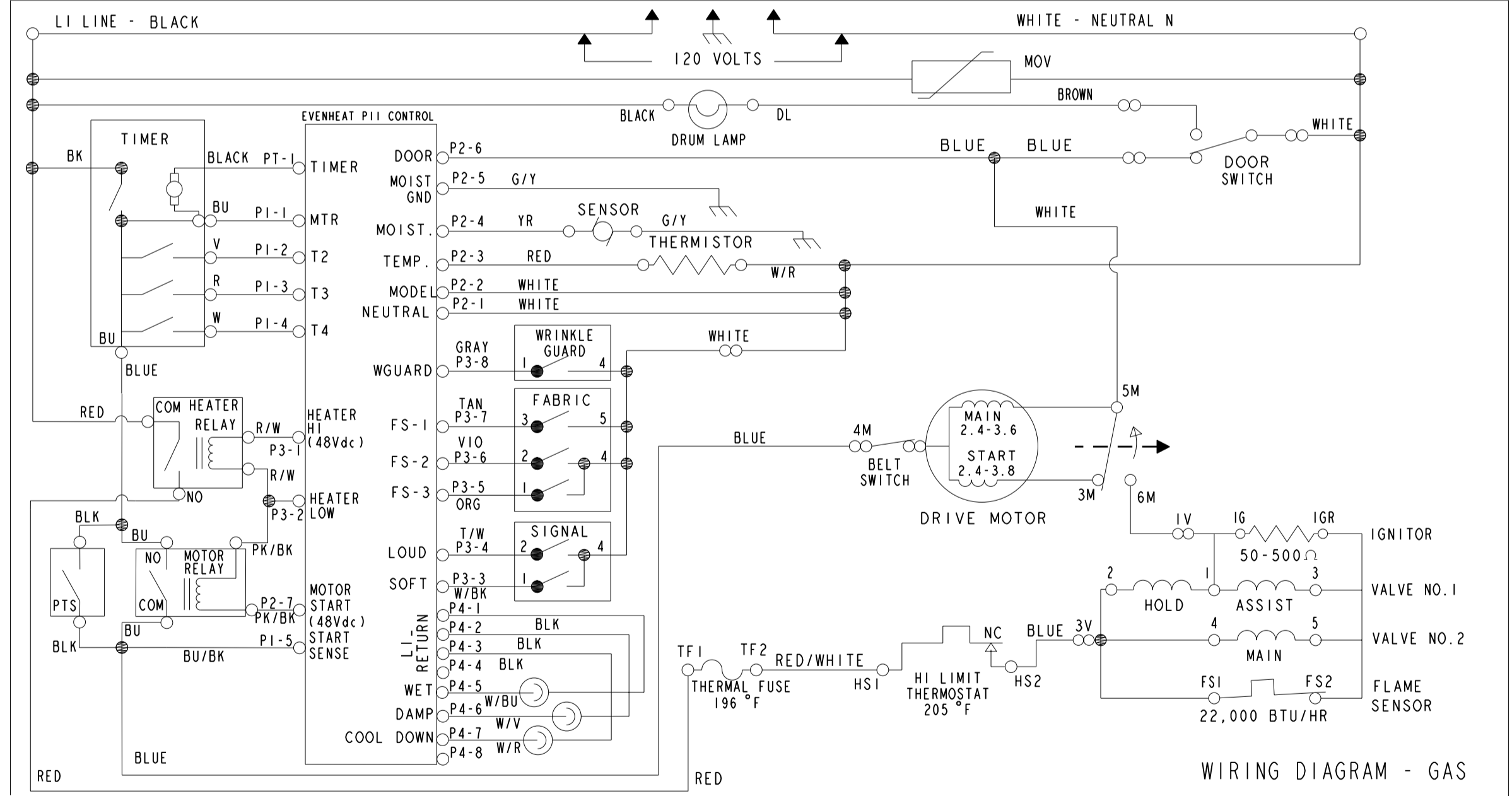
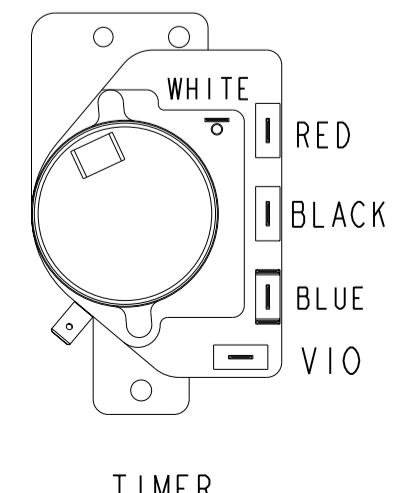
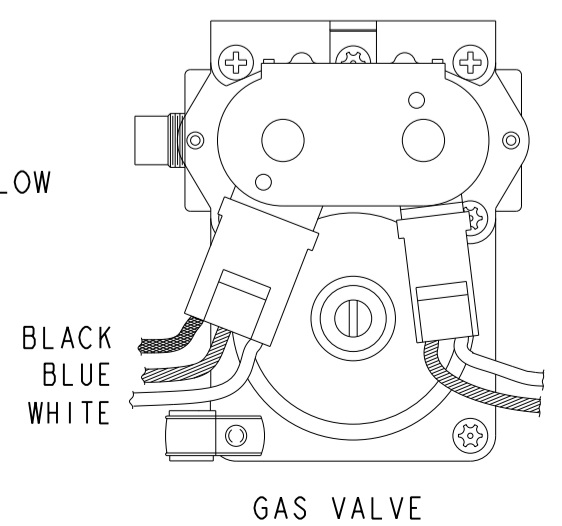
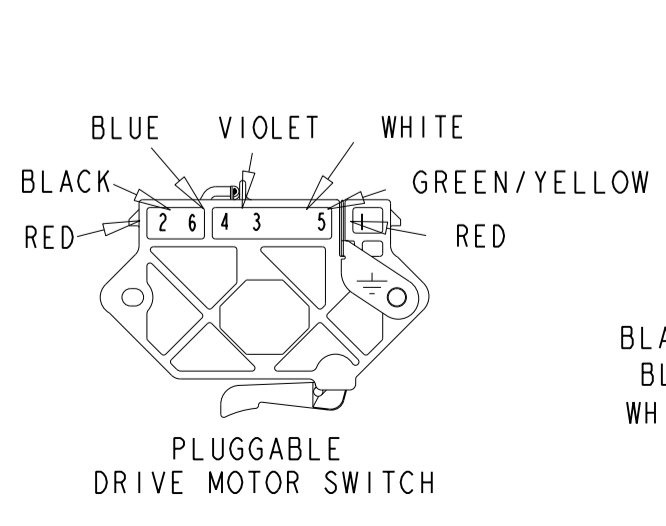


WIRING DIAGRAM - ELECTRIC



WIRING DIAGRAM - GAS



MANUFACTURED UNDER ONE OR MORE OF THE FOLLOWING U.S. PATENTS:
 3,702,030 3,890,720 4,132,008
 3,762,064 3,959,891 4,385,452
 3,769,716 3,962,617 4,430,809
 3,815,258 4,003,613 4,821,535
 3,889,392 4,086,709

CAUTION: LABEL ALL WIRES PRIOR TO DISCONNECTION WHEN SERVICING CONTROLS. WIRING ERRORS CAN CAUSE IMPROPER AND DANGEROUS OPERATION. VERIFY PROPER OPERATION AFTER SERVICING.

PART NO. 3978962 A

TABLE 1:
END-OF-CYCLE SWITCH

SWITCH POSITION	CONTACTS		FUNCTION
	1	2	
45 DEG	O	O	OFF
90 DEG	X	O	SOFT EOC
135 DEG	O	X	LOUD EOC

O=OPEN X=CLOSED

TABLE 2:
WRINKLE GUARD SWITCH

SWITCH POSITION	CONTACTS		FUNCTION
	OPEN	CLOSED	
60 DEG	OPEN	CLOSED	WRINKLE GUARD OFF
120 DEG	CLOSED	CLOSED	WRINKLE GUARD ON

TABLE 3:
FABRIC SELECT SWITCH

SWITCH POSITION	CONTACTS			FUNCTION
	3	2	1	
0 DEG	O	O	O	AIR FLUFF
45 DEG	O	O	X	DELICATE
90 DEG	O	X	O	KNITS
135 DEG	O	X	X	PERM PRESS
180 DEG	X	O	O	COTTON

O=OPEN X=CLOSED

TABLE 4:
TIMER ENCODING

TIMED DRY MODE				
CONTACT	TIMER	COOL DOWN	WRINKLE GUARD	OFF
PI-4	O	O	O	O
PI-3	X	X	O	O
PI-2	O	X	X	O
PI-1	X	X	X	O

AUTOMATIC DRY MODE					
CONTACT	MORE DRY	NORM DRY	DAMP DRY	WRINKLE GUARD	OFF
PI-4	X	X	O	O	O
PI-3	O	O	O	O	O
PI-2	X	O	O	X	O
PI-1	X	X	X	X	O

O=OPEN X=CLOSED

NOTES:

1. DIAGRAM SIZE TO BE 216 X 280. FOLDED TO 108 X 70 WITH PRINT OUTSIDE AND PART NUMBER VISIBLE
2. PRINTING TO BE BLACK ON WHITE BACKGROUND.
3. MATERIAL: 60 LB. WHITE RECYCLED OFFSET PAPER.
4. REVISIONS REQUIRE CODES APPROVAL.
5. ORIGINAL MODELS 62972100 (ELEC.) AND 72972101 (GAS).
6. REFER TO TABLES 1-4 FOR SWITCH AND TIMER CONTACT POSITIONS
7. ORIGINAL TIMER 8299771.