

SEARS
Parts & Repair Services

**REPAIR
PARTS
LIST**

**790.96642701
790.96649701**

For Parts or Service:

Call

**1-800-4-MY-HOME®
(1-800-469-4663)**

Or Visit

www.sears.com



30-INCH FREE-STANDING ELECTRIC RANGE

In all orders or correspondence, avoid delays and misunderstandings by always giving the complete model number shown on the nameplate. For models with glass ceramic cooktops, the nameplate is located on the inside right of the storage compartment on the oven frame. For models with coil elements the nameplate is located under the lift-up cooktop.

All repair parts listed are available for immediate purchase or special order when you visit your nearest Sears Parts & Repair Center, or the Service Department at most Sears stores. To order parts by phone, call the toll-free number listed to the left or visit sears.com.

When requesting service or ordering parts, always provide the following information:

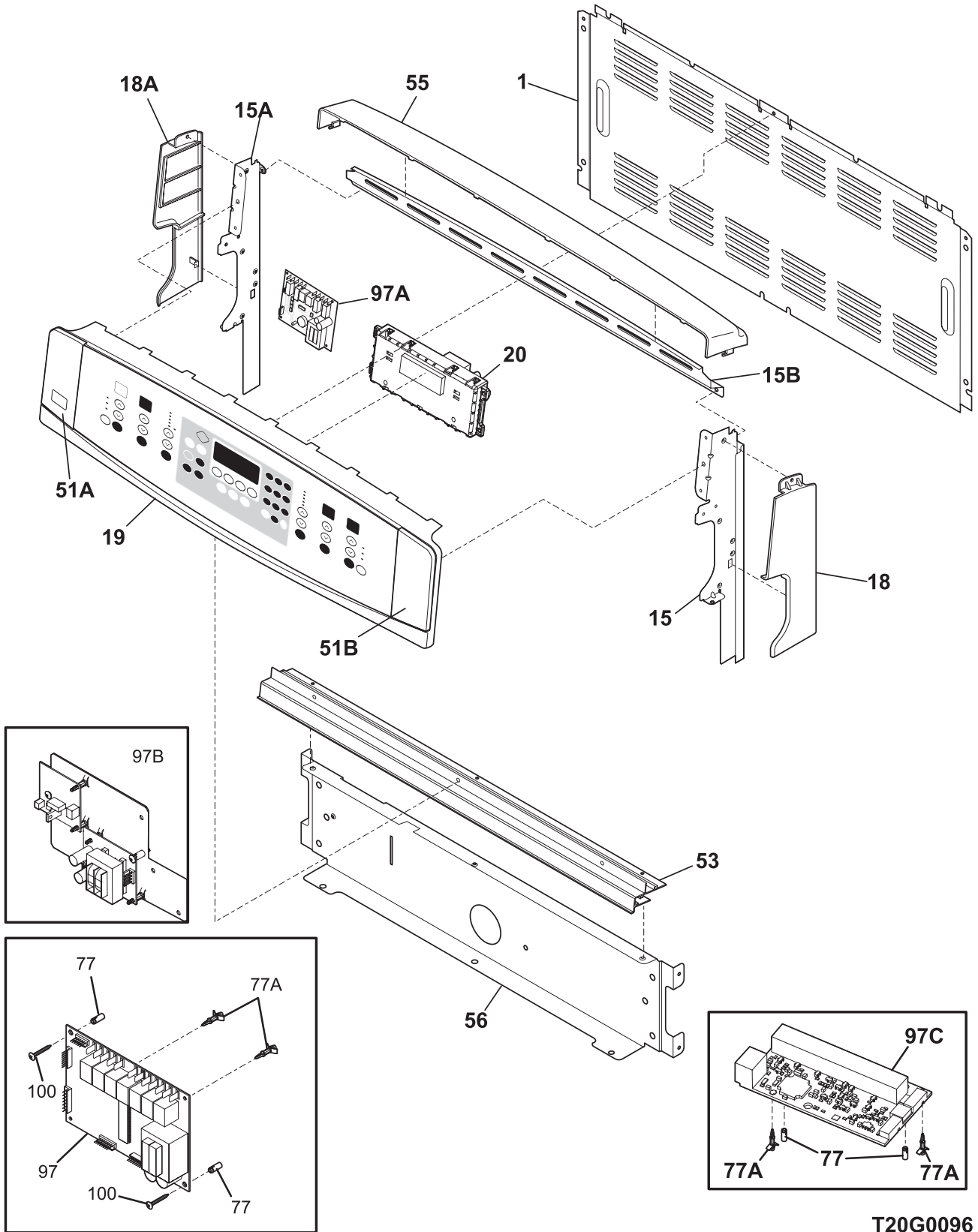
- Product Type
- Part Number
- Model Number
- Part Description

Sears, Roebuck and Co., Hoffman Estates, IL 60179 U.S.A

Publication number 5995516274

BACKGUARD

CAUTION: Use the Kenmore part number to order part, not the illustration number.



T20G0096

BACKGUARD

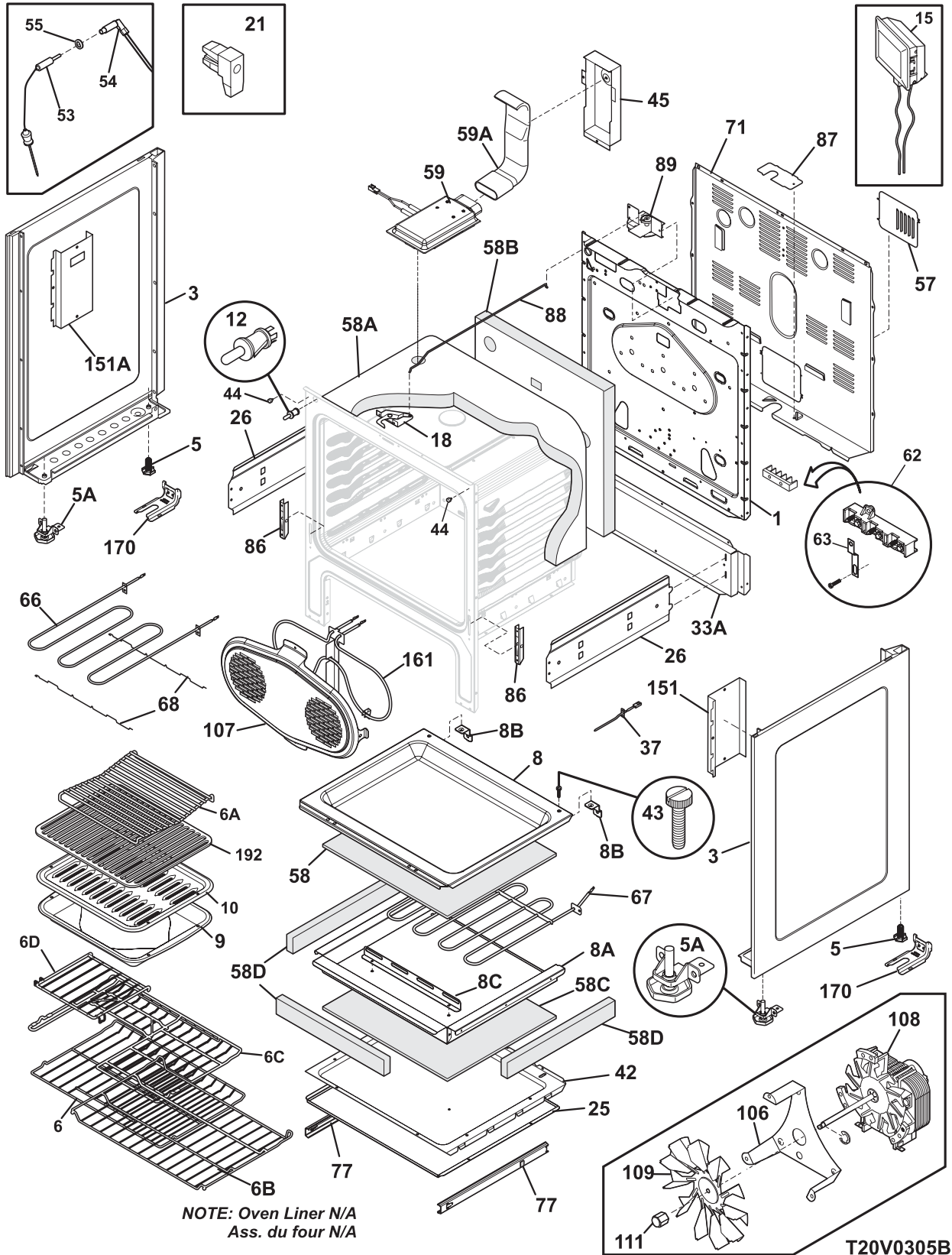
CAUTION: Use the Kenmore part number to order part, not the illustration number.

Model Index: A 790.9664 (790.96642701)
B 790.9664 (790.96649701)

POS. NO	PART NO.		DESCRIPTION
1	316239902	A B	Shield, backguard, rear wall
15	316267502	A B	Channel, BG support, RH
15A	316267503	A B	Channel, BG support, LH
15B	316267701	A B	Shield, backguard, upper
18	316267202	A -	End Cap, white, RH
18	316267201	- B	End Cap, black, RH
18A	316267206	A -	End Cap, white, LH
18A	316267205	- B	End Cap, black, LH
19 #	5303935269	A -	Panel, control assy., white, tst w/housing
19 #	5303935270	- B	Panel, control assy., black, tst w/housing
20 #	316462853	A B	Controller, electronic, ES585
51A	316267806	A -	Trim, cap, white, LH, w/nameplate
51A	316267805	- B	Trim, cap, black, LH, w/nameplate
51B	316267802	A -	Trim, cap, white, RH
51B	316267801	- B	Trim, cap, black, RH
53	316268204	A -	Trim, extrusion, chrome
53	316268205	- B	Trim, extrusion, black
55	316267102	A -	Trim, top cap, white
55	316267101	- B	Trim, top cap, black
56	316267906	A -	Shield, backguard, white, inner
56	316267905	- B	Shield, backguard, black, inner
77	316247900	A B	Spacer, power board
77A	316114100	A B	Spacer, (4)
97 #	316442112	A B	Board, power, relay
97A#	316442013	A B	Board, power, UIB
97B#	316448902	A B	Board Assembly, power & triac
97C#	318360700	A B	Board, interface, pan sensing
100	5303289910	A B	Screw, 8A, 1", (7), power board mtg
* #	316466600	A B	Harness, wiring, power board, to UIB
* #	316525606	A B	Harness, wiring, VSB/UIB
* #	316525607	A B	Harness, wiring, UIB/sensa cook
*	5995516274	A B	Repair Parts List
*	316417277	A B	Owners Manual
*	316519919	A B	Service Tech Sheet, w/wiring diagram
*	316454912	A B	Installation Instructions
*	316466300	A B	Folder, quick start
*	316021105	A B	Screw, hex head cup pt, 8-18 x 0.375, black
*	316021109	A B	Screw, 8-18 x 0.5, chrome
*	316021110	A B	Screw, 8-18 x 0.5, black

BODY

CAUTION: Use the Kenmore part number to order part, not the illustration number.



BODY

CAUTION: Use the Kenmore part number to order part, not the illustration number.

Model Index: A 790.9664 (790.96642701)
B 790.9664 (790.96649701)

POS. NO	PART NO.		DESCRIPTION
1	316502000	A B	Back, main
3	316400116	A -	Panel, bodyside, white, RH
3	316400117	A -	Panel, bodyside, white, LH
3	316400118	- B	Panel, bodyside, black, RH
3	316400119	- B	Panel, bodyside, black, LH
5	316272900	A B	Screw, leveling, plastic, rear, (2)
5A	316498900	A B	Leveling Leg Assy, metal, front, (2), bracket & leg
6	316498005	A B	Rack, oven, (2)
6A	318219500	A B	Rack, broiler pan
6B	316496209	A B	Rack, oven, (1)
6C	316425601	A B	Rack, half, oven
6D	316419401	A B	Rack, half insert, oven
8	316505601	A B	Panel, oven bottom
8A	316505701	A B	Base, bake element
8B	316506000	A B	Bracket, support, oven bottom, (2)
8C	316505801	A B	Support, element
9	316081900	A B	Pan, broiler
10	316082000	A B	Insert, broiler pan
12	316445500	A B	Switch, oven light, door frame
15	316510700	A B	Lamp, oven, (2), halogen
18 #	316405800	A B	Latch Assembly, oven door
21	316408000	A B	Clip, bodyside
25	316505900	A B	Shield, lower, bake
26	316409000	A B	Shield, warmer side, (2)
33A	316402100	A B	Shield, rear wall, lower
37 #	316490000	A B	Probe, oven temp
42	316407700	A B	Shield, wool, lower
43	316519700	A B	Screw, 8-18 x .375, (4)
44	316517600	A B	Spacer, oven door
45	316234100	A B	Shield, wire, vent tube
53 #	318601302	A B	Probe, meat temp
54 #	316536900	A B	Receptacle, probe
54*#	316537000	A B	Harness, meat probe
55	316247700	A B	Nut, mounting, (2)
55*	316534100	A B	Washer, flat, meat probe
57	316457801	A B	Cover, access
58	316509500	A B	Insulation, bake element
58A	316406601	A B	Insulation, oven wrapper
58B	316406504	A B	Insulation, oven back
58C	316509600	A B	Insulation, lower shield
58D	316509700	A B	Insulation, oven bottom
59	316514300	A B	Vent Tube, assembly, w/catalyst
59A	316497801	A B	Tube, oven vent
62 #	5303935271	A B	Terminal Block Kit
62*	316001003	A B	Screw, ground wire
62*	316205500	A B	Nut, hex flange, 3/8 10-32
62*	316542200	A B	Insulator
63	316542600	A B	Plate, grounding strap
66 #	316203301	A B	Element, broil

BODY

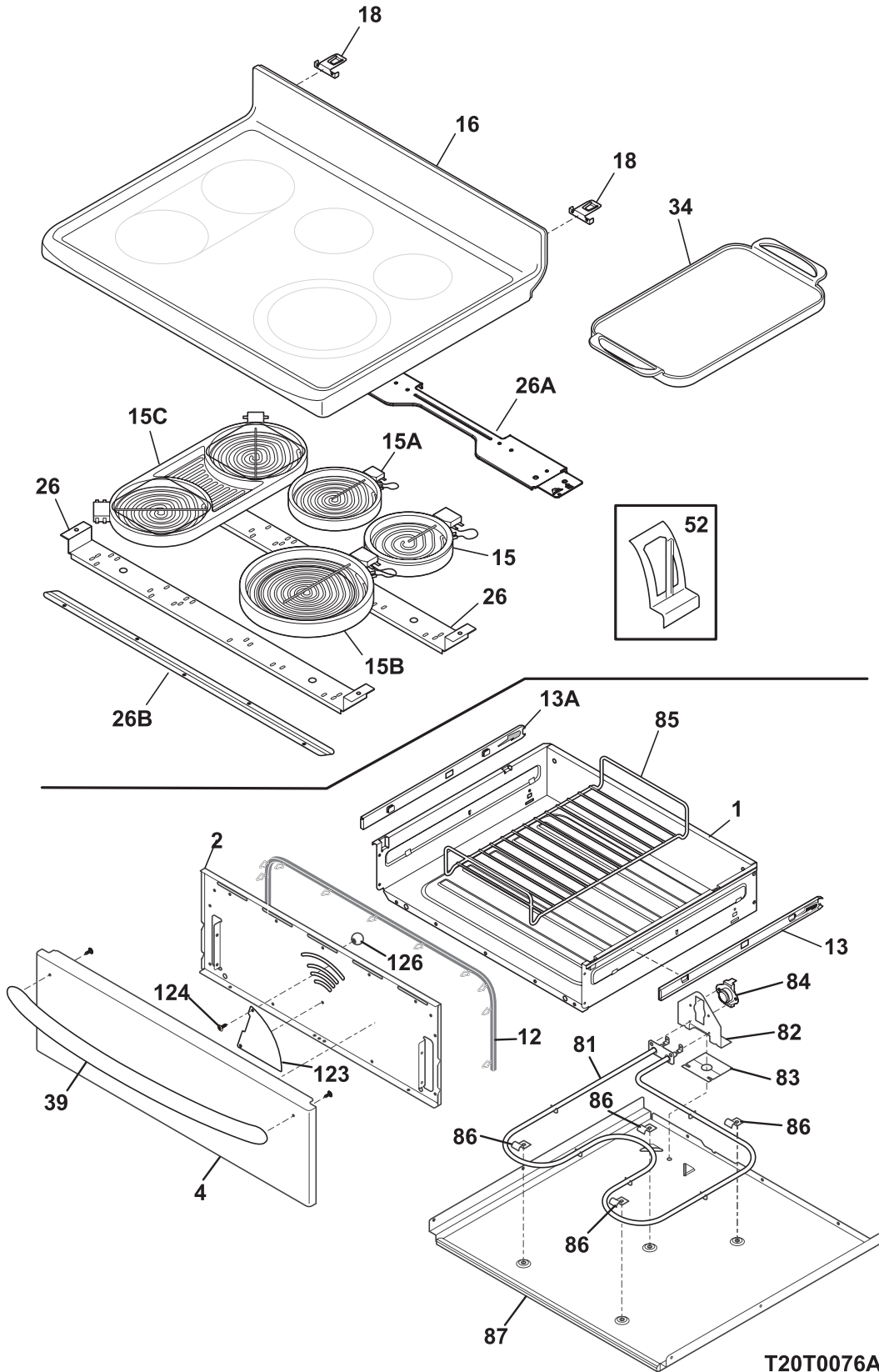
CAUTION: Use the Kenmore part number to order part, not the illustration number.

Model Index: A 790.9664 (790.96642701)
B 790.9664 (790.96649701)

POS. NO	PART NO.		DESCRIPTION
67	316505500	A B	Element, bake, 3000W
68	316404000	A B	Support, element, broil
71	316422304	A B	Shield, rear wall
77	316456700	A B	Glide, warmer drawer, outer/RH & LH, (2)
86	316530700	A B	Receptacle, hinge
86*	316418901	A B	Screw, trilobe, 10-32 x 5/16"
87	316081200	A B	Bracket, cable mtg
88	316203500	A B	Rod, auto latch
89 #	316464300	A B	Motor-latch
106	316404100	A B	Bracket, motor mtg.
107	316504603	A B	Cover, fan
108#	316415800	A B	Motor, fan
109	316136400	A B	Blade, fan
111	316136600	A B	Nut, fan retainer
151	316404600	A B	Shield, bodyside
151A	316404601	A B	Shield, bodyside
161#	316506100	A B	Element, convection
170	316112003	A B	Anti Tip Kit, assembly
170*	316107200	A B	Bracket, anti-tip
170*	316112500	A B	Template, anti-tip
170*	316116000	A B	Screw, concrete, 1.75", anti-tip brkt
192	316526200	A B	Grill, searing
* #	316506209	A B	Wiring Harness, main
*	316279200	A B	Bracket, stiffener, RH
*	316279201	A B	Bracket, stiffener, LH
*	316021105	A B	Screw, hex head cup pt, 8-18 x 0.375, black
*	316021110	A B	Screw, 8-18 x 0.5, black
*	316089500	A B	Screw, 10-16 x .486
*	316279600	A B	Screw, bracket, stiffener, (4)
*	5303285179	A B	Screw, wafer head, 8-32T x 0.500, black
*	5308014215	A B	Screw, 6-20 x 0.312

TOP/DRAWER

CAUTION: Use the Kenmore part number to order part, not the illustration number.



TOP/DRAWER

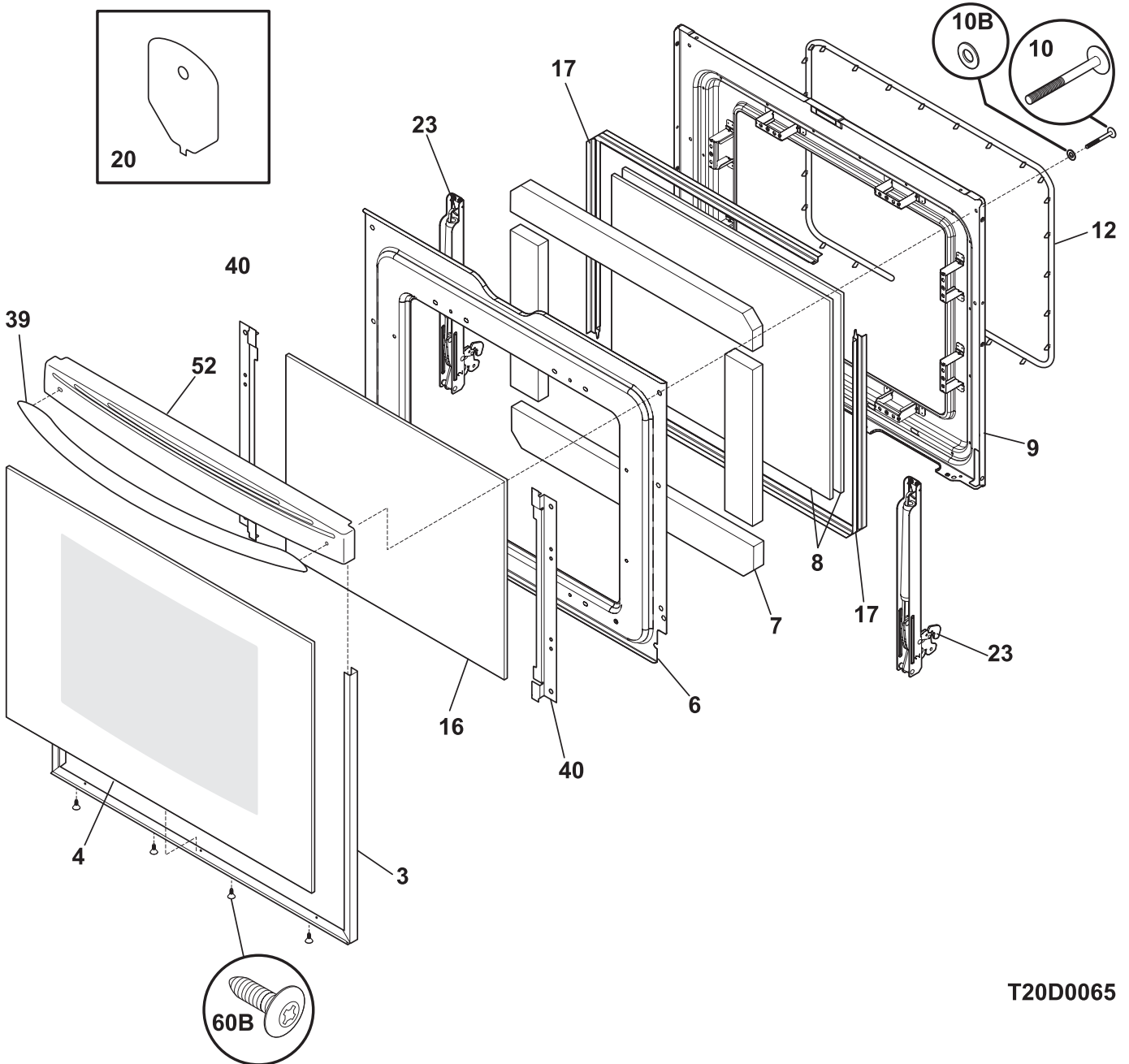
CAUTION: Use the Kenmore part number to order part, not the illustration number.

Model Index: A 790.9664 (790.96642701)
B 790.9664 (790.96649701)

POS. NO	PART NO.		DESCRIPTION
1	316408901	A B	Drawer, warmer
2	316463801	A B	Liner, drawer
4	316403505	A -	Panel, drawer front, white
4	316403506	- B	Panel, drawer front, black
12	316463900	A B	Seal, warmer drawer
13	316415002	A B	Glide, warmer, inner RH
13A	316415001	A B	Glide, warmer, inner LH
15 #	318360800	A B	Element, radiant, 6", top, 1200W
15A#	318198832	A B	Element, surface, warmer, 100 W
15B#	318361001	A B	Element, dual radiant, 9"/12", top, 1800W/3000W
15C#	318374201	A B	Element, bridge radiant, top, 4400W
16	316456290	A -	Main Top, smooth top, steel/glass, white
16	316456291	- B	Main Top, smooth top, steel/glass, black
18	316436600	A B	Hinge Bracket, maintop, (2)
26	316427600	A B	Channel, element support, (2)
26A	316498200	A B	Bracket-support, chassis, aluminum
26B	316214200	A B	Bracket, chassis support, front
34	316432200	A B	Griddle
39	316432302	A -	Handle, door/drawer, white
39	316432303	- B	Handle, door/drawer, black
52	316461700	A B	Clip, element mtg
81 #	316437300	A B	Element, warmer drawer
82	316093200	A B	Bracket, element mtg
83	316093300	A B	Shield, terminal, warmer drawer
84	316093501	A B	Thermo disc, warmer drawer
85	316425900	A B	Rack, warmer drawer
86	316095800	A B	Clip, hold down, warmer element
87	316091900	A B	Base, warmer drawer
123	316492300	A B	Damper, control, humidity
*	5304436030	A B	Rivet
124	08002868	A B	Screw, 10-24 x 0.500, probe, thrm brkt, shield, drwr, box
126	318251100	A B	Handle, control, humidity
* #	316510605	A B	Harness-wiring, surface
*	316253620	A B	Harness, warmer drawer, inner, base
*	316466100	A B	Label, instructions, warmer drawer
*	316112100	A B	Cleaner, cooktop
*	316021105	A B	Screw, hex head cup pt, 8-18 x 0.375, black
*	316021109	A B	Screw, 8-18 x 0.5, chrome
*	316021110	A B	Screw, 8-18 x 0.5, black
*	5308014215	A B	Screw, 6-20 x 0.312

DOOR

CAUTION: Use the Kenmore part number to order part, not the illustration number.



T20D0065

DOOR

CAUTION: Use the Kenmore part number to order part, not the illustration number.

Model Index: A 790.9664 (790.96642701)
B 790.9664 (790.96649701)

POS. NO	PART NO.		DESCRIPTION
3	5303935243	A -	Trim kit-door, 3 sided, white, w/tape
3	5303935245	- B	Trim kit-door, 3 sided, black, w/tape
4	316427007	A -	Glass, oven door, white, outer
4	316427008	- B	Glass, oven door, black, outer
6	316503800	A B	Shield, wool
7	316513000	A B	Insulation, oven door
8	316502500	A B	Glass, door, inner, (2)
9	316503607	A B	Liner, oven door
10	316422204	A B	Screw, 10-24 x 2.02", (2)
10B	316008401	A B	Washer, 3/4 OD x 1/4 ID, steel
12	316405000	A B	Seal, oven door
16	316502600	A B	Glass, door, airwash
17	316502101	A B	Spacer, door glass, (2)
20	316533801	A B	Plate, distribution, load
23	316530604	A B	Hinge, oven door, peach
23*	316418900	A B	Screw, sims lp, #8-32 x 5/16", black
39	316432302	A -	Handle, door/drawer, white
39	316432303	- B	Handle, door/drawer, black
40	316530401	A B	Bracket, airwash glass, (2)
52	316468500	A -	Cap, door trim, white
52	316468501	- B	Cap, door trim, black
60B	316021110	A B	Screw, 8-18 x 0.5, black
*	316021109	A B	Screw, 8-18 x 0.5, chrome
*	5303285179	A B	Screw, wafer head, 8-32T x 0.500, black

Get it fixed, at your home or ours!

Your Home

For expert troubleshooting and home solutions advice:

manage my home

www.managemyhome.com

For repair – **in your home** – of **all** major brand appliances, lawn and garden equipment, or heating and cooling systems, **no matter who made it, no matter who sold it!**

For the replacement parts, accessories and owner's manuals that you need to do-it-yourself.

For Sears professional installation of home appliances and items like garage door openers and water heaters.

1-800-4-MY-HOME[®] (1-800-469-4663)

Call anytime, day or night (U.S.A. and Canada)

www.sears.com www.sears.ca

Our Home

For repair of carry-in items like vacuums, lawn equipment, and electronics, call anytime for the location of your nearest

Sears Parts & Repair Service Center

1-800-488-1222 (U.S.A.) **1-800-469-4663** (Canada)

www.sears.com www.sears.ca

To purchase a protection agreement on a product serviced by Sears:

1-800-827-6655 (U.S.A.) **1-800-361-6665** (Canada)

Para pedir servicio de reparación a domicilio, y para ordenar piezas:

1-888-SU-HOGAR[®]

(1-888-784-6427)

Au Canada pour service en français:

1-800-LE-FOYER^{MC}

(1-800-533-6937)

www.sears.ca

Sears

® Registered Trademark / TM Trademark / SM Service Mark of Sears Brands, LLC

® Marca Registrada / TM Marca de Fábrica / SM Marca de Servicio de Sears Brands, LLC

^{MC} Marque de commerce / ^{MD} Marque déposée de Sears Brands, LLC

© Sears Brands, LLC