

Type: Job: Fixture Catalog number: _____ / _____ / _____ <small>Fixture Lamp Mode Finish</small>	Fixture Options: <hr/> Ordered Separately from Fixture See page 2	Approvals: Date: Page: 1 of 6
	Remote Mounting Options: <hr/> Ordered Separately from Fixture See pages 3-6	

Specifications

Housing and Shield: Die-cast, low copper (<0.6% Cu) aluminum.

Swivel: Die-cast, low copper (<0.6% Cu) aluminum with locking teeth and 1/2" solid brass NPT mount. Provides horizontal rotation independent of the threaded mount. Swivel locked by 1/4-20 stainless set screw. Clear anodized prior to titanated zirconium conversion coating for added corrosion resistance.

Lens: Convex clear tempered glass with silicone gasket.

Socket: Porcelain medium base.

Wiring: No. 18AWM rated 105°C.

Ballast: High power factor, long range ignitors, -20°F. starting, mounted on tray, 120 volt standard.

Ballast Box: High temperature, compression molded featuring long-fiber fiberglass impregnated heavy wall construction. Wall separates ballast chamber from splice compartments, splice area 32 cu in.; prewired, two anti-siphon plugs to and from ballast chamber. Conduit entry; two 3/4" NPT for through wiring, one 1/2" NPT for remote access.

Ballast Cover: Cast bronze, supplied with 1/2" NPSM for direct mount, with stainless steel set screw lock. Flat for remote mount.

Finish: Super TGIC thermoset polyester powder coat paint, 2.5 mil nominal thickness, applied over a titanated zirconium conversion coating; 2500 hour salt spray test endurance rating. Standard colors are Black (**BL**), Dark Bronze (**DB**), and Verde Green (**GR**).

Certification: UL Listed to U.S. and Canadian safety standards for wet locations.

ORDERING INFORMATION

Fixture

- 6205D** Direct Mounting
 6205R Remote Mounting

Lamp Mode¹

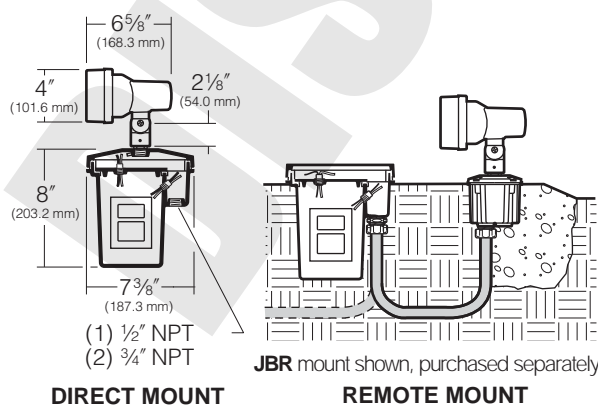
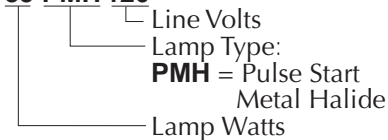
- 35PMH120**
 35PMH208
 35PMH240
 35PMH277
 35PMH347

Lamp	PAR20
Socket	Medium Base
ANSI Ballast Type	M-130

Finish

- BL** Black
 DB Dark Bronze
 GR Verde Green

¹35 PMH 120



KIM LIGHTING RESERVES THE RIGHT TO CHANGE SPECIFICATIONS WITHOUT NOTICE.



Type:

Job:



Fixture Options

Ordered Separately from Fixture

Internal Louver

Cat. No.

L20

No Option

Provides additional brightness control. Constructed of hex cell aluminum louvers providing 45° cutoff, mounted in a circular frame, finished in baked high-heat flat black. Can be used in combination with colored lenses. Clips onto rim of PAR20 lamp and provides additional brightness control.



Type:
 Job:



Remote Mounting Options

Ordered Separately from Fixture

Landscape Light Post by Engineered Products Co.

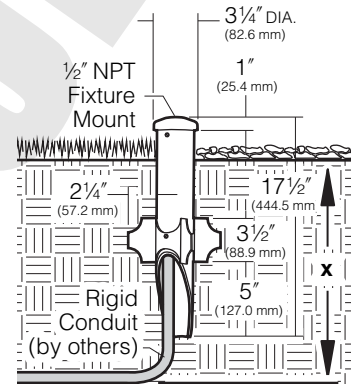
- Cat. No.
 EP17
 No Option

PVC fixture molded in black with 1/2" NPT mount is corrosion free and UV resistant. Replaces EMT, conduit connectors and weatherproof boxes. 100% shatter resistant against denting and cracking. Angled bottom to eliminate cable congestion. 17 1/2" post length.

CAUTION: EP17 should be used with a UL Listed fixture and grounding means (i.e., third wire) suitable for use in wet locations.

"x" = required depth of conduit per local code.

NOTE: Maximum remote mounting distance for 35PMH fixture is 50'.



Architectural Junction Box

- Cat. No. Finish
 JB1/BL Black
 JB1/DB Dark Bronze
 JB1/GR Verde Green
 No Option

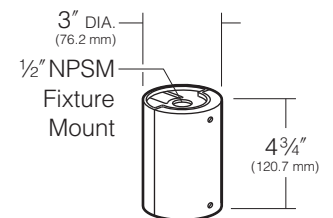
Die-cast, low copper (<0.6% Cu) aluminum with 1/2" NPSM fixture mount. Internal set screw provided for locking position. Two 1/2" NPSM in bottom, 17 cu in. internal volume. Super TGIC powder coat paint over clear anodizing and titanated zirconium conversion.

Application Notes

- Elevates accent lights above ground cover to prevent foliage from blocking the light.
- Elevates path lights above ground cover to achieve a greater light throw.

CAUTION: Junction box must be installed high enough to avoid contact with soil or standing water.

When installed on a single "feed" conduit, provide additional 24" long stablizer pipe with cap. Installation on single conduit not recommended.



Type:

Job:

Page: 4 of 6



Remote Mounting Options

Ordered Separately from Fixture

Brass In-grade Architectural Junction Box

Cat. No.

- JBR-2
- JBR-3
- JBR-21
- JBR-24
- No Option

Die-cast brass with 1/2" NPSM fixture mount and die-cast cover. Internal set screw provided for locking position. 18 cu. in. internal volume.

- JBR-2** (2) 1/2" NPT in bottom
- JBR-3** (2) 3/4" NPT in bottom
- JBR-21** (2) 1/2" NPT in sides, (2) 1/2" NPT in bottom
- JBR-24** (4) 1/2" NPT in sides, (2) 1/2" NPT in bottom

All side taps provided with plugs.

25 Year Limited Warranty:

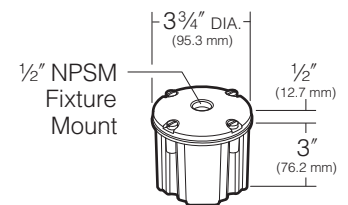
Solid brass junction boxes are warranted for 25 years, from date of sale, against manufacturing defects and failure due to corrosion.

Application Notes

- Utilizing conveniently located ballast box, fixtures can be remote mounted.
- Cast brass slowly adopts environmental "patina" adapting itself to the landscape.
- May be cast in concrete for increased stability.

CAUTION: Fixture stem and swivel must not contact soil or standing water. Provide drainage away from junction box. Lamp and ballast must be of equal wattage. Ballast box must be installed high enough to encourage water drainage away from the housing.

NOTE: Maximum remote mounting distance for 35PMH fixture is 50'.



Type:
 Job:



Remote Mounting Options

Ordered Separately from Fixture

Brass In-grade Staked Junction Box

Cat. No.

- JBR30
 No Option

Die-cast brass with 1/2" NPSM fixture mount and die-cast cover. Internal set screw provided for locking position. 18 cu in. internal volume.

(2) 1/2" NPT in bottom with (2) 19" long stakes.

25 Year Limited Warranty:

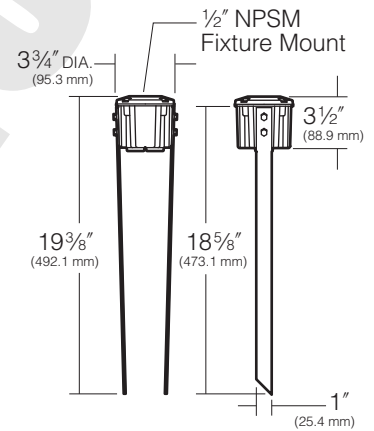
Solid brass junction boxes are warranted for 25 years, from date of sale, against manufacturing defects and failure due to corrosion.

Application Notes

- Utilizing conveniently located ballast box, fixtures can be remote mounted.
- Cast brass slowly adopts environmental "patina" adapting itself to the landscape.
- May be cast in concrete for increased stability.

CAUTION: Fixture stem and swivel must not contact soil or standing water. Provide drainage away from junction box. Lamp and ballast must be of equal wattage. Ballast box must be installed high enough to encourage water drainage away from the housing.

NOTE: Maximum remote mounting distance for 35PMH fixture is 50'.



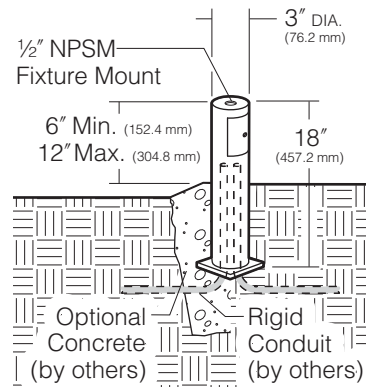
Stanchion Mount

Cat. No.

Finish

- SM18/BL Black
 SM18/DB Dark Bronze
 SM18/GR Verde Green
 No Option

3" O.D. by .188" wall cast, low copper (<0.6% Cu) aluminum with 1/2" NPSM fixture mount and hand hole with flush cover. Internal set screw fixture lock accessible through hand hole. Internal ground lug supplied with installed lead. Super TGIC powder coat paint over clear anodizing and titanated zirconium conversion.



Type:

Job:

Page: 6 of 6



Remote Mounting Options

Ordered Separately from Fixture

Surface Mount

Cat. No.	Finish
<input type="checkbox"/> J-27N/BL	Black
<input type="checkbox"/> J-27N/DB	Dark Bronze
<input type="checkbox"/> J-27N/GR	Verde Green
<input type="checkbox"/> No Option	

Cast aluminum with 1/2" NPSM fixture mount. Internal set screw provided for locking position. 5 cu in. internal volume. Super TGIC powder coat paint over clear anodizing and titanated zirconium conversion.

Application Notes

- Utilizing conveniently located ballast box, fixtures can be surface mounted.

CAUTION: Lamp and ballast must be of equal wattage. Ballast box must be installed high enough to encourage water drainage away from the housing.

NOTE: Maximum remote mounting distance for 35PMH fixture is 50'.

