

JOB _____

TYPE _____

NOTES _____

APPROVALS _____

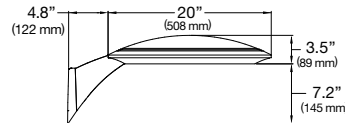
FEATURES

- 20" size in post top, pole and wall mount
- High performance optics up to 17,000 delivered lumens
- Elegant form factor
- Diffusion lens option
- SiteSync™ wireless control options

CERTIFICATIONS



SPECIFICATIONS



Weight: 32 lbs EPA: .372

ORDERING CODE

Series	LED Engine	CCT	Distribution	Rotation	Voltage	Mounting
UR20 Ouro	No Lens or Clear Lens 24L-25 3,000 lm 24L-65 7,000 lm 56L-75 10,000 lm 56L-110 15,000 lm 56L-140 17,000 lm HDL - High Diffusion Lens* 28L-30 3,000 lm 28L-70 7,000 lm 68L-80 9,000 lm 68L-115 13,000 lm 68L-150 15,000 lm	5K7 5000K, 70 CRI 4K7 4000K, 70 CRI 4K8 4000K, 80 CRI 3K7 3000K, 70 CRI 3K8 3000K, 80 CRI 3K9 3000K, 90 CRI AM Amber	FR Type I/Front Row 2 Type II 3 Type III 4 Type IV 4W Type IV Wide 5QM Type V Square Medium 5QN Type V Square Narrow 5R Type V Rectangular 5W Type V Wide (Round)	Blank for no rotation L ¹ Optic rotation left R ¹ Optic rotation right	UNV 120-277V 347 347V 480 480V DALI 120-277V [†] † Consult factory	ASQ Arm Square pole A34 Arm mt 3.3-4.2" OD pole A46 Arm mt 4.5-6.0" OD pole MAF Horizontal Slip Fitter 2 3/8" OD arm SVSF Square Vertical Slipfitter for 2" Tenon (2-3/8" OD) VSF Round Vertical Slipfitter for 2" Tenon (2-3/8" OD) WB Wall Bracket
Fixture Finish	Control Options	Options	Control Accessories [^]			
BL Black DB Dark Bronze LG Light Gray GT Graphite PS Platinum Silver TT Titanium WH White CC Custom Color [†] † Consult factory	7PR-TL 7 pin PCR with twist lock photocontrol 7PR-SC 7 pin PCR with shorting cap 7PR 7 pin PCR, wireless control enabled AD-01 ² AstroDIM: 50% output at midnight to 4AM AD-02 ² AstroDIM: 50% output midnight to 4AM AD-03 ² AstroDIM: 50% output 10PM to 4AM AD-04 ² AstroDIM: 50% output 10PM to 4AM SCL-8F ³ Low voltage sensor for 3rd party wireless controls via 7PR. For mounting heights up to 8'. SCL-40F ³ Low voltage sensor for 3rd party wireless controls via 7PR. For mounting heights 9' to 40'.	SWP ^{2,3,4} Site Sync Pre commission SWPM-8F ^{2,3,4} Site Sync with Sensor up to 8' MH SWPM-40F ^{2,3,4} Site Sync with Sensor 9' to 40' MH WSP-8F-1 ^{2,3} Dimming Occ. Sensor for up to 8' MH, 120/277/347V WSP-8F-2 ^{2,3} Dimming Occ. Sensor for up to 8' MH, 208/240V WSP-8F-3 ^{2,3} Dimming Occ. Sensor for up to 8' MH, 480V WSP-40F-1 ^{2,3} Dimming Occ. Sensor for up to 40' MH, 120/277/347V WSP-40F-2 ^{2,3} Dimming Occ. Sensor for up to 40' MH, 208/240V WSP-40F-3 ^{2,3} Dimming Occ. Sensor for up to 40' MH, 480V	BC ⁵ Back-light Control SF Single Fuse DF Double Fuse TB Terminal Block CLR Clear Lens HDL Diffuse Lens TL Tamper proof latch	SW7PR ^{2,4} Site Sync with 7 pin PCR SWUSB SiteSync Software on USB SWTAB SiteSync Windows® Tablet SWBRG SiteSync Wireless Bridge Node WIR-RME-L wiSCAPE External Fixture Module SCL-R Occ. Sensor for Round Pole (up to 16' MH) SCL-S Occ. Sensor for Square Pole (up to 16' MH) SCH-R Occ. Sensor for Round Pole (16' to 30' MH) SCH-S Occ. Sensor for Square Pole (16' to 30' MH)		

Microsoft, Encarta, MSN, and Windows are either registered trademarks or trademarks of Microsoft Corporation in the United States and/or other countries.

Kim Lighting reserves the right to change specifications without notice.

- 1 Not available with 5QM, 5QN, and 5W distributions.
- 2 Not available with other sensor or wireless control options.
- 3 Not available with CLR or HDL Lenses.
- 4 Specify group and zone at time of order. See www.hubbellighting.com/sitesync for more details. Order

at least one SiteSync interface accessory SWUSB or SWTAB. Each option contains SiteSync License, GUI, and Bridge Node.

- 5 Not available with Type 5 distributions or HDL option.

[^] Please refer to page 8 for ordering details

LUMINAIRE PERFORMANCE

LED #	Nominal Lumen Package	Nominal Wattage	Lens Options	Distribution	3000K					4000K					5000K						
					Lumen	BUG Rating			lm/w	Lumen	BUG Rating			lm/w	Lumen	BUG Rating			lm/w		
						B	U	G			B	U	G			B	U	G			
24L	3,000	25	No Lens	FR	3258	0	0	0	128	3467	0	0	0	136	3443	0	0	0	135		
				FR-BC	2141	0	0	0	84	2278	0	0	0	89	2263	0	0	0	89		
				2	3107	1	0	1	122	3306	1	0	1	130	3284	1	0	1	129		
				2-BC	1849	0	0	0	73	1967	0	0	0	77	1954	0	0	0	77		
				3	3128	2	0	1	123	3329	2	0	1	131	3306	2	0	1	130		
				3-BC	1870	0	0	1	73	1990	0	0	1	78	1977	0	0	1	78		
				4	3118	0	0	1	122	3318	0	0	1	130	3295	0	0	1	129		
				4-BC	2330	0	0	1	92	2479	0	0	1	97	2462	0	0	1	97		
				4W	3147	1	0	2	124	3349	1	0	2	132	3326	1	0	2	131		
				4W-BC	1953	0	0	1	77	2078	0	0	1	82	2063	0	0	1	81		
				5QM	2999	2	0	0	118	3191	2	0	0	125	3169	2	0	0	124		
				5QN	2888	2	0	0	113	3073	2	0	0	121	3052	2	0	0	120		
				5R	3092	2	0	2	121	3291	2	0	2	129	3268	2	0	2	128		
				5W	3059	2	0	1	120	3255	2	0	1	128	3233	2	0	1	127		
				24L	3,000	25	Clear Lens	FR	3083	0	0	0	121	3280	0	0	0	128	3258	0	0
		FR-BC	2026					0	0	0	79	2155	0	0	0	84	2141	0	0	0	84
		2	2940					1	0	1	115	3128	1	0	1	123	3107	1	0	1	122
		2-BC	1749					0	0	0	68	1861	0	0	0	73	1848	0	0	0	72
		3	2959					1	0	1	116	3149	1	0	1	123	3127	1	0	1	122
		3-BC	1732					0	0	1	68	1843	0	0	1	72	1830	0	0	1	72
		4	2950					0	0	1	116	3139	0	0	1	123	3117	0	0	1	122
		4-BC	1847					0	0	1	72	1966	0	0	1	77	1952	0	0	0	76
		4W	2977					1	0	1	117	3168	1	0	2	124	3146	1	0	2	123
4W-BC	1847	0	0					1	72	1966	0	0	1	77	1952	0	0	1	76		
28L	3,000	30	HDL Lens	3	2880	1	0	1	99	3065	1	0	1	105	2971	1	0	1	102		
				5W	2946	1	0	1	101	3134	1	0	1	107	3113	1	0	1	106		

Kim Lighting reserves the right to change specifications without notice.

LUMINAIRE PERFORMANCE

LED #	Nominal Lumen Package	Nominal Wattage	Lens Options	Distribution	3000K					4000K					5000K					
					Lumen	BUG Rating			lm/w	Lumen	BUG Rating			lm/w	Lumen	BUG Rating			lm/w	
						B	U	G			B	U	G			B	U	G		
24L	7,000	65	No Lens	FR	7507	1	0	1	115	7988	1	0	1	123	7933	1	0	1	122	
				FR-BC	4717	0	0	0	73	5019	0	0	0	77	4985	0	0	0	77	
				2	6938	1	0	2	107	7382	1	0	2	114	7332	1	0	2	113	
				2-BC	4072	0	0	1	63	4334	0	0	1	67	4304	0	0	1	66	
				3	6892	1	0	2	106	7333	1	0	2	113	7283	1	0	2	112	
				3-BC	4121	0	0	1	63	4385	0	0	1	67	4355	0	0	1	67	
				4	6927	1	0	2	107	7371	1	0	2	113	7320	1	0	2	113	
				4-BC	5133	0	0	2	79	5461	0	0	2	84	5424	0	0	2	83	
				4W	6850	1	0	3	105	7289	1	0	3	112	7239	1	0	3	111	
				4W-BC	4302	0	0	2	66	4577	0	0	2	70	4546	0	0	2	70	
				5QM	7188	3	0	1	111	7649	3	0	1	118	4546	3	0	1	70	
				5QN	7465	3	0	0	115	7944	3	0	0	122	7889	3	0	0	121	
				5R	7125	3	0	3	110	7582	3	0	3	117	7530	3	0	3	116	
				5W	7048	3	0	2	108	7499	3	0	2	115	7448	3	0	2	115	
				Clear Lens	FR	7149	1	0	1	108	7607	1	0	1	115	7555	1	0	1	114
					FR-BC	4492	0	0	0	68	4780	0	0	0	72	4747	0	0	0	72
					2	6607	1	0	2	100	7030	1	0	2	107	6982	1	0	2	106
					2-BC	3878	0	0	1	59	4127	0	0	1	63	4099	0	0	1	62
		3	6563		1	0	2	99	6984	1	0	2	106	6936	1	0	2	105		
		3-BC	3841		0	0	1	59	4087	0	0	1	63	4059	0	0	1	62		
		4	6597		1	0	2	100	7019	1	0	2	106	6971	1	0	2	106		
		4-BC	4888		0	0	2	74	5201	0	0	2	79	5165	0	0	2	78		
		4W	6523		1	0	2	99	6941	1	0	3	105	6894	1	0	3	104		
		4W-BC	4097		0	0	2	62	4359	0	0	2	66	4329	0	0	2	66		
5QM	6846	3	0		1	104	7284	3	0	1	110	4329	3	0	1	66				
5QN	7109	3	0		0	108	7565	3	0	0	115	7513	3	0	0	114				
5R	6785	3	0	3	103	7220	3	0	3	109	7171	3	0	3	109					
5W	6711	3	0	1	102	7142	3	0	1	108	7093	3	0	1	107					
28L		70	HDL	3	6481	2	0	2	98	6897	2	0	2	104	6685	2	0	2	96	
			Lens	5W	6628	2	0	1	100	7053	2	0	1	107	6952	2	0	1	100	

Kim Lighting reserves the right to change specifications without notice.

LUMINAIRE PERFORMANCE

LED #	Nominal Lumen Package	Nominal Wattage	Lens Options	Distribution	3000K				4000K				5000K							
					Lumen	BUG Rating			lm/w	Lumen	BUG Rating			lm/w	Lumen	BUG Rating			lm/w	
						B	U	G			B	U	G			B	U	G		
56	10,000	65	No Lens	FR	10354	1	0	1	138	11018	1	0	1	146	10942	1	0	1	145	
				FR-BC	6506	0	0	1	87	6923	0	0	1	92	6875	0	0	1	92	
				2	9569	2	0	2	127	10182	2	0	2	135	10112	2	0	2	134	
				2-BC	5617	0	0	1	75	5977	0	0	1	80	5936	0	0	1	79	
				3	9505	1	0	2	125	10114	1	0	2	134	10045	1	0	2	133	
				3-BC	5683	0	0	2	76	6047	0	0	2	81	6006	0	0	2	79	
				4	9554	1	0	2	127	10166	1	0	2	135	10078	1	0	2	134	
				4-BC	7079	0	0	2	94	7533	0	0	2	100	7481	0	0	2	99	
				4W	9447	2	0	3	126	10053	2	0	3	134	9984	2	0	3	133	
				4W-BC	5933	0	0	2	79	6313	0	0	2	84	6270	0	0	2		
				5QM	9915	3	0	1	132	10550	3	0	2	140	10478	3	0	2	139	
				5QN	10296	3	0	1	137	10956	3	0	1	146	10881	3	0	1	145	
				5R	9827	3	0	3	131	10457	3	0	3	139	10385	3	0	3	138	
				5W	9720	4	0	2	129	10343	4	0	2	137	10272	4	0	2	137	
				Clear Lens	FR	9860	1	0	1	130	10492	1	0	1	139	10420	1	0	1	138
					FR-BC	6196	0	0	0	83	6593	0	0	1	88	6547	0	0	1	87
					2	9112	1	0	2	120	9696	2	0	2	128	9630	2	0	2	127
					2-BC	5349	0	0	1	71	5692	0	0	1	76	5653	0	0	1	75
		3	9052		1	0	2	120	9632	1	0	2	127	9566	1	0	2	126		
		3-BC	5297		0	0	2	71	5637	0	0	2	75	5598	0	0	2	74		
		4	9098		1	0	2	120	9681	1	0	2	128	9615	1	0	2	127		
		4-BC	6741		0	0	2	90	7174	0	0	2	96	7124	0	0	2	95		
		4W	8997		2	0	3	119	9574	2	0	3	127	9508	2	0	3	126		
		4W-BC	5650		0	0	2	75	6012	0	0	2	80	5971	0	0	2	80		
5QM	9442	3	0		1	125	10047	3	0	1	133	9978	3	0	1	132				
5QN	9805	3	0		1	130	10434	3	0	1	138	10362	3	0	1	137				
5R	9358	3	0	3	124	9958	3	0	3	132	9890	3	0	3	131					
5W	9257	4	0	2	122	9850	4	0	2	130	9782	4	0	2	129					
68L		70	HDL Lens	3	8418	2	0	2	107	8958	2	0	2	113	8896	2	0	2	113	
				5W	8609	3	0	1	109	9160	3	0	1	116	9252	3	0	1	117	

Kim Lighting reserves the right to change specifications without notice.

LUMINAIRE PERFORMANCE

LED #	Nominal Lumen Package	Nominal Wattage	Lens Options	Distribution	3000K				4000K				5000K							
					Lumen	BUG Rating			lm/w	Lumen	BUG Rating			lm/w	Lumen	BUG Rating			lm/w	
						B	U	G			B	U	G			B	U	G		
56	15,000	110	No Lens	FR	15041	1	0	2	139	16005	1	0	2	147	15895	1	0	2	146	
				FR-BC	9451	0	0	1	87	10056	0	0	1	93	9987	0	0	1	92	
				2	13900	2	0	2	128	14791	2	0	2	136	14689	2	0	2	135	
				2-BC	8159	0	0	2	75	8682	0	0	2	80	8623	0	0	2	79	
				3	13808	2	0	3	127	14692	2	0	3	135	14592	2	0	3	134	
				3-BC	8256	1	0	2	75	8785	1	0	2	80	8725	1	0	2	79	
				4	13878	1	0	3	128	14768	1	0	3	136	14667	1	0	3	135	
				4-BC	10283	1	0	2	95	10942	1	0	3	101	10867	1	0	3	100	
				4W	13724	2	0	3	126	14603	2	0	3	135	14503	2	0	3	134	
				4W-BC	8619	1	0	3	79	9171	1	0	3	85	9108	1	0	3	84	
				5QM	14402	4	0	2	133	15325	4	0	2	141	15220	4	0	2	140	
				5QN	14957	4	0	1	138	15915	4	0	1	147	15806	4	0	1	146	
				5R	14275	4	0	4	132	15190	4	0	4	140	15086	4	0	4	139	
				5W	14120	4	0	2	130	15025	4	0	2	138	14922	4	0	2	138	
				Clear Lens	FR	14230	1	0	1	132	15142	1	0	2	140	15038	1	0	2	139
					FR-BC	8941	0	0	1	83	9514	0	0	1	88	9449	0	0	1	87
					2	13151	2	0	2	122	13994	2	0	2	129	13898	2	0	2	129
					2-BC	7720	0	0	2	71	8215	0	0	2	76	8158	0	0	2	75
					3	13064	2	0	2	121	13901	2	0	2	129	13806	2	0	2	128
		3-BC	7645		1	0	2	69	8135	1	0	2	74	8079	1	0	2	73		
		4	13131		1	0	3	121	13972	1	0	3	129	13876	1	0	3	128		
		4-BC	9729		1	0	2	90	10353	1	0	2		10282	1	0	2	95		
		4W	12984		1	0	3	120	13817	1	0	3	128	13722	1	0	3	127		
4W-BC	8154	1	0		3	75	8677	1	0	3	80	8617	1	0	3	80				
5QM	13626	3	0	2	126	14500	4	0	2	134	14400	4	0	2	133					
5QN	14151	4	0	1	131	15058	4	0	1	139	14955	4	0	1	138					
5R	13506	4	0	4	125	14372	4	0	4	133	14273	4	0	4	132					
5W	13359	4	0	2	124	14215	4	0	2	132	14118	4	0	2	131					
68L		115	HDL Lens	3	12410	3	0	2	109	13206	3	0	3	116	13115	3	0	3	116	
				5W	12691	3	0	2	112	13505	3	0	2	119	13412	3	0	2	118	

Kim Lighting reserves the right to change specifications without notice.

LUMINAIRE PERFORMANCE

LED #	Nominal Lumen Package	Nominal Wattage	Lens Options	Distribution	3000K					4000K					5000K					
					Lumen	BUG Rating			lm/w	Lumen	BUG Rating			lm/w	Lumen	BUG Rating			lm/w	
						B	U	G			B	U	G			B	U	G		
56	17,000	140	No Lens	FR	17031	2	0	2	124	18123	2	0	2	132	17999	2	0	2	131	
				FR-BC	10701	0	0	1	78	11387	0	0	1	83	11309	0	0	1	82	
				2	15740	2	0	2	114	16748	2	0	2	122	16634	2	0	2	121	
				2-BC	9239	1	0	2	67	9831	1	0	2	71	9764	1	0	2	71	
				3	15635	2	0	3	113	16637	2	0	3	121	16523	2	0	3	120	
				3-BC	9348	1	0	2	67	9947	1	0	2	71	9879	1	0	2	71	
				4	15715	1	0	3	114	16722	1	0	3	121	16608	1	0	3	121	
				4-BC	11644	1	0	3	85	12391	1	0	3	90	12306	1	0	3	89	
				4W	15540	2	0	4	113	16536	2	0	4	120	16423	2	0	4	119	
				4W-BC	9759	1	0	3	71	10385	1	0	3	75	10314	1	0	3	75	
				5QM	16309	4	0	2	118	17354	4	0	2	126	17235	4	0	2	125	
				5QN	16936	4	0	1	123	18022	4	0	1	131	17898	4	0	1	130	
				5R	16164	4	0	4	117	17200	4	0	4	125	17082	4	0	4	124	
				5W	15989	4	0	2	116	17013	4	0	2	123	16897	4	0	2	123	
				Clear Lens	FR	16162	1	0	2	116	17198	2	0	2	124	17080	2	0	2	123
					FR-BC	10155	0	0	1	73	10659	0	0	1	77	10732	0	0	1	77
					2	14936	2	0	2	108	15894	2	0	2	115	15785	2	0	2	114
					2-BC	8768	1	0	2	63	9330	1	0	2	67	9266	1	0	2	67
					3	14837	2	0	3	107	15788	2	0	3	114	15680	2	0	3	113
					3-BC	8683	1	0	2	62	9239	1	0	2	66	9176	1	0	2	66
		4	14913		1	0	3	107	15869	1	0	3	114	15760	1	0	3	114		
		4-BC	11050		1	0	3	80	11758	1	0	3	85	11678	1	0	3	84		
		4W	14747		2	0	3	106	15692	2	0	4	113	11678	2	0	4	84		
		4W-BC	9261		1	0	3	67	9855	1	0	3	71	9787	1	0	3	71		
5QM	15476	4	0	2	112	16468	4	0	2	119	16355	4	0	2	118					
5QN	16072	4	0	1	116	17102	4	0	1	123	16985	4	0	1	122					
5R	15339	4	0	4	111	16323	4	0	4	118	16211	4	0	4	117					
5W	15173	4	0	2	109	16145	4	0	2	116	16035	4	0	2	116					
68L		150	HDL Lens	3	14192	3	0	3	96	14999	3	0	3	101	14896	3	0	3	101	
				5W	14514	3	0	2	98	15338	3	0	2	104	15233	3	0	2	103	

Electrical Characteristics										Dimming						
System Watts	Current	Line Voltage		Amps AC						Min. Power Factor	Max THD (%)	Dimming Range	Source current out		Absolute voltage	
		VAC	Hz	120	208	240	277	347	480				Min	Max	Min	Max
25	298mA	120-480	50/60	0.21	0.12	0.10	0.09	0.07	0.05	>0.9	20	10% to 100%	0mA	1mA	0V	10V
30	298mA			0.25	0.14	0.13	0.11	0.09	0.06							
65	800mA			0.54	0.31	0.27	0.23	0.19	0.14							
70	700mA			0.58	0.34	0.29	0.25	0.20	0.15							
75	420mA			0.63	0.36	0.31	0.27	0.22	0.16							
80	350mA			0.67	0.38	0.33	0.29	0.23	0.17							
110	600mA			0.92	0.53	0.46	0.40	0.32	0.23							
115	500mA			0.96	0.55	0.48	0.42	0.33	0.24							
140	750mA			1.17	0.67	0.58	0.51	0.40	0.29							
150	625mA			1.25	0.72	0.63	0.54	0.43	0.31							

TM-21 LIFETIME CALCULATION

Projected Lumen Maintenance (25°C / 77°F)						
HOURS	0	25,000	36,000	50,000	100,000	Reported L70
Projected Lumen Maintenance	100%	97%	95%	93%	87%	> 60,000 hrs

Kim Lighting reserves the right to change specifications without notice.

SPECIFICATIONS

Housing:

- Low copper aluminum alloy die-casting is designed as one-piece with internal cooling fins.
- Solid, cast aluminum wall creates a thermal barrier between the optical and electrical compartments.
- Molded silicone gasket throughout insures the sealing between the two compartments and provides ingress protection.
- Housing is designed with integral LED heat sink utilized for thermal transfer and for securing the location of each LED module.
- IK09 rated enclosure protects electrical equipment against external mechanical impacts.

Lens Frame:

- One-piece low copper aluminum alloy die-cast is secured to housing with 6 screws.

Backlight Control

- Optional Backlight Control on each LED module to completely control unwanted backlight.

Lens

One-piece flat glass lens slips secure with clips. Extra silicone gasketing is provided to retain a clear optical compartment.

Optical Module:

- LEDs shall be mounted to a metal printed circuit board assembly (MCPCB).
- Optical lenses shall be clear injection molded PMMA acrylic.
- Each MCPCB and optic shall be sealed to the diecast housing and sealed with a continuous one piece injection molded silicone rubber gasket.
- Patent Pending design of optical array shall independently shield each LED optic across the length of the aperture.
- Optional fixture finish optical surfaces shall not exceed BUG ratings of the standard white finish and shall be greater than or equal to the delivered lumens of the optional matte black optical surface finish.

Electrical Components

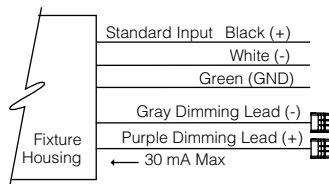
- Standard programmable driver allows for programmable drive current settings.
- Electrical components are strategically located in the driver gear compartment with a molded silicon grommet seal to provide separation from the optical chamber.
- Maximum lightning surge current 20KA with thermally protected varistor technology. Surge suppression is series circuited preventing

total fixture failure. ANSI/IEEE C62.41 Category C High.

- Open circuit fault will turn off the luminaire in order to protect the sensitive electronics and acts as a signal for maintenance.
- Programmable Driver is rated for -40°C starting.
- "Thermal Shield", primary side, thermister provides protection for the sustainable life of electronic components.

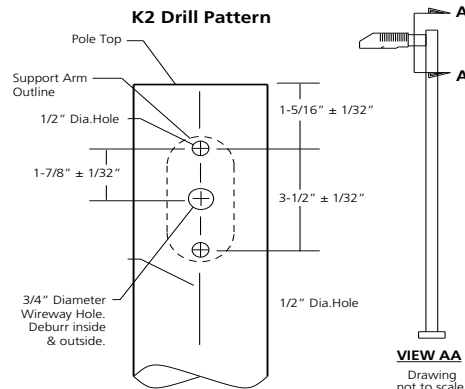
Dimming:

- Dimming range from 100% to 10% through the use of the standard 0-10V interface on the programmable driver.
- Modular wiring harness in the service area provides user access to the dimming circuitry.
- Dimming circuitry compatible with 0-10V, user-defined control devices.
- Optional factory programmed dimming profile.



Support Arm:

- Die-cast, low copper aluminum alloy, with splice access cover.
- Die-cast pole adaptor and an internal reinforcing plate are provided with a wire strain relief.
- The arm adaptor is square or circular cut for specified pole size and shape.
- For field wire connections, a terminal block is mounted in the arm cavity and accessible behind the splice access cover. The block accepts #14 to #8 wire sizes and is factory prewired to the electrical module's quick-disconnect plug inside the electrical compartment.



Optional Slip-Fitter:

- Internally accessible slip-fitter attaches to a 1-1/4" to 2-3/8" tenon and allows hands-free wiring and maintenance.

Optional Wall Mount:

- Optional, cast aluminum mounting plate attaches to a wall over a junction box and the speed mount is bolted to the cover plate. To complete the wiring, the luminaire assembly slides over the mounting plate.

Fusing:

SF for 120, 277, and 347 Line volts

DF for 208, 240, and 480 Line volts

High temperature fuse holders factory installed inside the fixture housing.

Fuse is included.

Finish:

Fade and abrasion resistant, electrostatically applied, thermally cured, triglycidal isocyanurate (TGIC) polyester powdercoat.

Standard colors include (BL) Black, (DB) Dark Bronze, (GT) Graphite, (PS) Platinum Silver, (LG) Light Gray, (TT) Titanium, (WH) White, and (CC) Custom Color (Include RAL#).

Certifications and Listings:

- UL 1598 Standard for Luminaires.
- UL 8750 Standard for Safety for Light
- Emitting Diode (LED) Equipment for use in Lighting Products.
- CSA C22.2#250.0 Luminaires.
- ANSI C136.31-2010 Vibration tested and compliant 3.0 G Test Level 2 – Bridge/Overpass Applications
- IP66 rated luminaire.
- RoHS compliant.
- IP66 rated.
- IEC 66262 Mechanical Impact Code IK09.
- IDA approved, 3000K and warmer CCTs only.

CAUTION:

Fixtures must be grounded in accordance with national, state and/or local electrical codes. Failure to do so may result in serious personal injury.

WARRANTY:

For full warranty see: <http://www.hubbellighting.com/resources/warranty>

Kim Lighting reserves the right to change specifications without notice.

CONTROLS

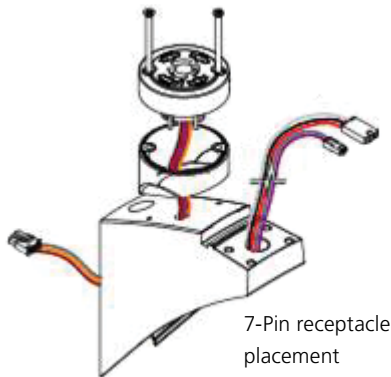
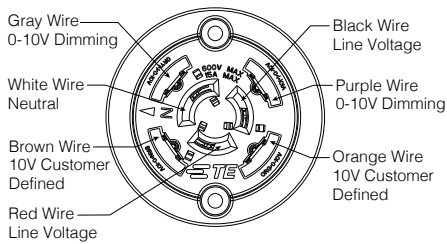
Photocell Receptacle

7PR

Fully gasketed and wired 7-pin receptacle option. Easy access location above the electrical compartment. 7-pin construction allows for a user-defined interface and provides a controlled definition of operational performance. ANSI twist-lock control module by-others.

Standard customer operation modes:

1. Traditional on/off photoelectric control.
2. 5-pin wireless photoelectric control for added dimming feature.
3. 7-pin wireless photoelectric control for dimming and additional I/O connections for customer use.



Wireless Controls

wiSCAPE™

Hubbell Control Solution's wiSCAPE™ wireless control modules allow an individual fixture to be managed, monitored and measured. The modules communicate securely over a robust certified meshed radio signal. The wiSCAPE modules provide on/off/dim control, external device input, alerts and metering.

WIR-RME-L

wiSCAPE External Module, 120-480V, 1000ft range (LOS), Internal Photocell, 1 Digital Input, Compatible with the A-25-7H option

SiteSync™¹

SiteSync™ wireless control system for reduction in energy and maintenance cost while optimizing light quality 24/7. See ordering information or visit www.hubbellighting.com/products/sitesync for more details.

Dimming WASP Occupancy Sensor WSP

The Dimming WASP Outdoor Occupancy Sensor is specifically designed to provide 0-10VDC output for the control of dimmable fixtures. Easy to use dipswitches allow the user to adjust sensor time delay and sensitivity as well as set unoccupied and occupied dimming levels. Sensors also feature a daylight sensor for ON/OFF control of fixtures when there is sufficient natural light. Visit https://hubbellcdn.com/installationmanuals/2102B_Dimming_WASP_Install.pdf for more details.

Pole Mounted

Round Pole-Mounted Occupancy Sensor up to 16'. Select voltage and finish color.

SCL-R

Round Pole-Mounted Occupancy Sensor up to 16' - an outdoor occupancy sensor with 0-10V interface dimming control that mounts directly to the pole. Wide 360° pattern. Module colors are available in Black, Gray, and White. Module is cut for round pole mounting. Pole diameter is needed upon order. Poles to be drilled in the field will be provided with installation instructions.

Ordering Example: SCL-R44/277²/BL³

Square Pole-Mounted Occupancy Sensor up to 16'. Select voltage and finish color.

SCL-S

Square Pole-Mounted Occupancy Sensor up to 16' - an outdoor occupancy sensor with 0-10V interface dimming control that mounts directly to the pole. Wide 360° pattern. Module colors are available in Black, Gray, and White. Module is cut for square pole mounting. Pole diameter is needed upon order. Poles to be drilled in the field will be provided with installation instructions.

Ordering Example: SCL-L/277²/BL³

Round Pole-Mounted Occupancy Sensor 16' to 30'. Select voltage and finish color.

SCH-R

Round Pole-Mounted Occupancy Sensor: 16' to 30' - an outdoor occupancy sensor with 0-10V interface dimming control that mounts directly to the pole. Wide 360° pattern. Module colors are available in Black, Gray, and White. Module is cut for round pole mounting. Pole diameter is needed upon order. Poles to be drilled in the field will be provided with installation instructions.

Ordering Example: SCH-R4⁴/277²/BL³

Square Pole-Mounted Occupancy Sensor 16' to 30'. Select voltage and finish color.

SCH-S

Square Pole-Mounted Occupancy Sensor: 16 to 30' - an outdoor occupancy sensor with 0-10V interface dimming control that mounts directly to the pole. Wide 360° pattern. Module colors are available in Black, Gray, and White. Module is cut for round pole mounting. Pole diameter is needed upon order. Poles to be drilled in the field will be provided with installation instructions.

Ordering Example: SCH-S/277²/BL³

AstroDIM

AstroDIM provides multi-stage night-time power reduction based on an internal timer referenced to the power on/off time. There is no need for an external control infrastructure. The unit automatically performs a dimming profile based on the predefined scheduled reference to the midpoint, which is calculated based on the power on/off times.

¹PRECOMMISSIONED SITESYNC ORDERING INFORMATION: When ordering a fixture with the SiteSync lighting control option, additional information will be required to complete the order. The SiteSync Commissioning Form or alternate schedule information must be completed. This form includes Project location, Group information, and Operating schedules. For more detailed information please visit www.HubbellLighting.com/products/sitesync or contact Hubbell Lighting tech support at (800) 345-4928.

SiteSync fixtures with occupancy sensor (SWPM) require the mounting height of the fixture for selection of the lens.

Examples:

SiteSync only : UR20/56L-75/3K7/UNV/ASQ/BL/SWP

SiteSync with Motion Control: UR20/56L-75/3K7/UNV/ASQ/BL/SWPM-40F

²Voltage, ³Color, ⁴Pole Diameter,