

P634

Wide Beam Downlight
Two 26W Quad Tube Lamps
7 1/4" Round Apertures

Optics and Applications

The primary reflector maximizes the output of two energy efficient quad tube lamps. The parabolic shielding cone offers low brightness visual comfort from all normal viewing angles. Use in entries, corridors, transient spaces, and for task lighting in low to medium height ceilings.

Design Features

Construction allows easy access to all components. Efficient air flow design and extensive heat testing assure cool fixture temperature for optimal lamp performance. Steel housing protects the reflector and assures the proper relationship for maximum performance. Maximum ceiling thickness 2". Ballast and lamp service from below.

Finish

Specular clear Alzak cones are standard. Optional colors and Softglow® finishes are available. Housings and structural parts are painted optical matte black to suppress stray light leaks. Steel parts are phosphate conditioned for corrosion resistance before painting.

Ballasts

Fully electronic, microprocessor controlled with variable starting current for inrush protection to assure rated lamp life. Input voltage range from 120V through 277V. Power factor .98, starting temperature 0°F (-18°C), THD < 10%. Pre-heat start < 1.0 second. End of lamp life protection. Rated for > 50,000 starts.

General

Fixtures are pre-wired, UL and C-UL listed for eight wire 75°C branch circuit wiring. All products are union made. Designed and manufactured in the USA.

Warranty

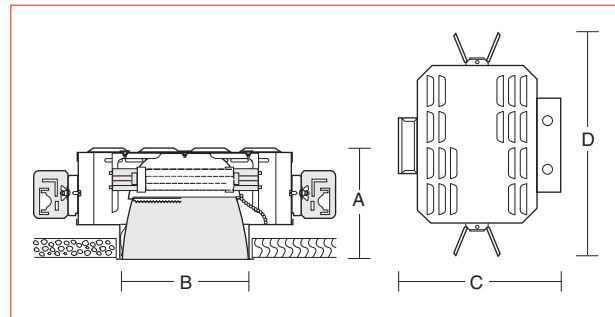
5 Year Warranty. See www.kurtversen.com for details or select hyperlink.

Accessories

- G Gold cone. WT White cone flange.
- W Wheat cone. WHT White complete cone.
- Y Pewter cone. DCE Double circuiting.
- R2 26" support rails. V347 347 volt ballast.
- R5 52" support rails. LS Lamp shield, acrylic.
- FLC7 Full lens cone 7". LP Prism lens, acrylic.
- F Fuse.
- S Softglow® add S to color, e.g. SC Softglow® clear.
- DM Dimming ballast. Specify watts and volts.
- DME ECO Lutron. Specify watts and volts.
- DMX 7% Advance Mark X. Specify watts and volts.
- EM Emergency power includes integral charger light and test switch visible through aperture. Single lamp operation for 90 minutes. Specify volts.



Dimensions and Lamps



Number	A Depth	B Aperture	C Width	D Length*	Lamps
P634	6 1/2" 165mm	7 1/4" 184mm	13 1/2" 343mm	19" 483mm	Two 26W Quad Tube

*Length increases to 24" with EM accessory.

P634

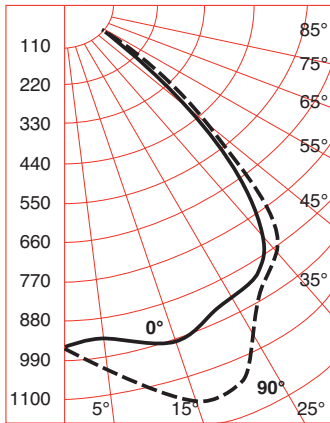
Cut out dimensions: 7 9/16". Outer flange dimension: 13 1/8".

Performance Datachart

Single Unit Initial Footcandles, 30" Work Plane						Ceiling to Floor		Multiple Units Initial Footcandles, 30" Work Plane			
P634 Two 26W Quad Tube lamps Read Bottom Data								Ceiling 80% Walls 50% Floor 20%			
Nadir								Spacing is Maximum Over Work Plane			
15°		25°		35°							
FC	FC	Diam	FC	Diam	FC	Diam	Spacing	RCR 1	RCR 3	RCR 8	
32	32	3'	24	5'	16	8'	8'	34	29	19	
23	23	3'	17	6'	12	9'	9'	24	20	13	
17	17	4'	13	7'	9	11'	10'	18	15	10	
11	11	5'	8	9'	5	13'	12'	11	10	6	
7	7	6'	6	11'	4	16'	14'	8	7	4	

See notes 4, 5 and 6.

Candlepower Distribution



P634 Two 26W Quad Tube lamps
Eff. 52% S/M 0° 1.3 S/M 90° 1.4

Candelas

ø	0°	90°
	3600*	3600*
0	980	980
5	971	1033
10	982	1091
15	995	1145
20	912	1145
25	924	1037
30	909	950
35	800	942
40	592	811
45	364	503
50	175	284
55	65	132
60	19	34
65	5	9
70	0	0
75	0	0
80	0	0
85	0	0
90	0	0

° Vertical Angles
* Initial Lamp Lumens

Coefficients of Utilization

Ceiling	80%				70%		50%		30%		0
	70	50	30	10	50	10	50	10	50	10	0
Wall %	Zonal Cavity Method - Floor Reflectance 20%										
RCR	Zonal Cavity Method - Floor Reflectance 20%										
1	.58	.56	.55	.53	.55	.53	.53	.51	.51	.49	.47
2	.54	.51	.49	.47	.50	.46	.49	.45	.47	.44	.42
3	.51	.47	.44	.41	.46	.41	.45	.40	.43	.40	.38
4	.48	.43	.39	.37	.42	.37	.41	.36	.40	.36	.34
5	.44	.39	.36	.33	.39	.33	.38	.33	.37	.32	.31
6	.42	.36	.32	.30	.36	.30	.35	.29	.34	.29	.28
7	.39	.33	.29	.27	.33	.27	.32	.27	.31	.26	.25
8	.36	.31	.27	.24	.30	.24	.30	.24	.29	.24	.23
9	.34	.28	.25	.22	.28	.22	.27	.22	.27	.22	.21
10	.32	.26	.23	.20	.26	.20	.26	.20	.25	.20	.19

P634 Two 26W Quad Tube lamps

Notes

- Data on all charts calculated with a clear specular cone finish.
- Specular cone multipliers: Wheat x .97, Pewter x .88, Black x .50.
- Softglow® cone multipliers: Clear x .97, Wheat x .87, Pewter x .73.
- Single unit Datachart pattern diameters are determined by the number of degrees from each side of nadir. Therefore a 15° diameter represents a total 30° pattern width at the work plane 30" above the floor. Footcandle values are at the edge of that diameter.
- Datachart spacing is rounded off to the nearest foot.
- Data by IES methods. Compact fluorescent data vary due to lamp lumen differences, power input, burning position, ambient temperature and ballast characteristics. A modification factor should be applied.
- Brightness data from the Average Luminance Method are inaccurate for small aperture downlights. They are theoretical calculations derived for large surfaces such as troffers.

Corridor Footcandles

P634 Two 26W Quad Tube lamps Read Bottom Data												
Ceiling Height	Reflectances: Ceiling 80% Walls 50% Floor 20%											
	8' Centers						12' Centers					
	C/L	2'	4'	6'	C/L	C/L	2'	4'	6'	8'	10'	C/L
8'	28	31	29	31	28	21	22	18	18	18	22	21
9'	26	27	27	27	26	17	18	18	17	18	18	17
10'	24	24	25	24	24	15	17	17	16	17	17	15

Initial footcandles. Readings on the floor. 5' corridor width.