



New and Existing Construction

LB6LED

LED Downlight Module
 15W High Efficacy
 Wet Location
 120V



DATE: _____ TYPE: _____

FIRM NAME: _____

PROJECT: _____

LiteBox 6"

Aperture: Nominal 6"
 Ceiling Cutout: 6⁷/₈"
 Maximum Ceiling Thickness: 2¹/₂"
 For conversion to millimeters, multiply inches by 25.4
 Not to Scale



APPLICATIONS:

LiteBox LED modules are designed for use in new construction as well as retrofit applications with existing Prescolite or competitive 6" housings using the screw base adapter included. Lumen output and distribution comparable to a 65W BR30 while consuming only 15 watts. Can be used to comply with California Title 24 IECC watts per square foot requirements. Suitable for use in IC applications with 25°C (77°F)¹ continuous room side ambient temperature or in Non-IC applications up to 35°C (95°F)¹ room side and plenum temperature. Flicker-free dimming to 15% with most standard dimmers. (See Dimming Notes).

LIGHT ENGINE:

High efficacy LED light engine with (9) high-brightness LEDs in 2700K or 3500K 80+ CRI integrated with durable die cast aluminum upper and lower heat sinks for excellent thermal management. System designed for optimal life and lumen maintenance (50,000 hours at 70% lumen maintenance).

LENS/REFLECTOR:

All LiteBox LED modules are provided standard with a diffuse optical grade acrylic lens for uniform illumination and superior glare control. Die cast reflector offered in White, Black, or Zet (Metallic Silver) powder coat finish creates aesthetic ceiling appearance and visually comfortable 55° cutoff.

LED DRIVER:

Integral high efficiency LED driver 120V, >0.9 power factor, dimmable to 15% with standard incandescent or electronic low voltage dimmers. (See Dimming Notes for recommended dimmers.) Output over-voltage, over-current, and short circuit protection. Life expectancy of 50,000 hours minimum at recommended ambient temperatures.

INSTALLATION:

For New Construction: Use with Prescolite DBX QuickLink LED housings. QuickLink connector mates directly to housing connector without a screw base adapter for California Title 24 compliance.

For Retrofit: Use in Prescolite or other compatible 6" recessed housings using supplied screw base adapter.

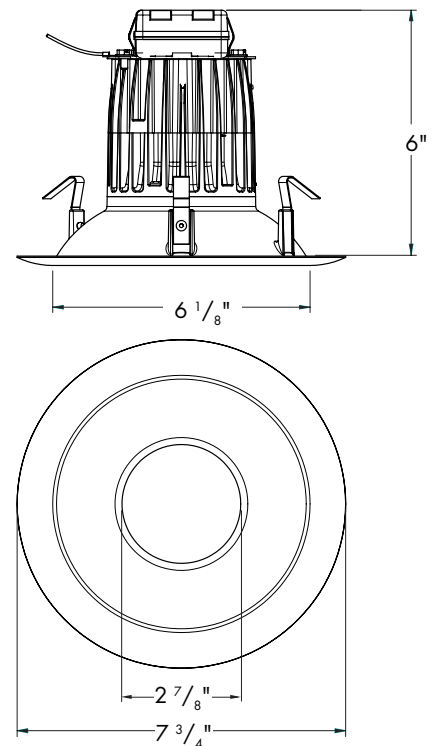
Easy installation with (3) stainless steel friction spring clips (pre-installed). Module provided with an attached tether to be secured during installation for added safety.

CERTIFICATIONS:

UL/cUL Classified for use in Prescolite or other 6" recessed housings including Halo, Juno, and Lithonia. (See page 3 for complete list) Suitable for wet locations. Meets California Title 24 with DBXQL

WARRANTY:

3 year warranty (IC)
 5 year warranty (Non-IC)²



(See page 3 for footnotes)

CATALOG NUMBER:

EXAMPLE: LB6LED327K BLWT

TRIM	TRIM	LED COLOR	CRI	TRIM COLOR	TRIM OPTIONS
<input type="checkbox"/> LB6LED 6" Litebox LED Module with dimming to 15% 120V	<input type="checkbox"/> 3 Nominal 650 lumen LED light engine	<input type="checkbox"/> 27K 2700 Kelvin <input type="checkbox"/> 35K 3500 Kelvin	<input type="checkbox"/> Blank 80+ CRI	<input type="checkbox"/> WH White <input type="checkbox"/> BL Black <input type="checkbox"/> Z Zet (Metallic Silver)	<input type="checkbox"/> WT White Trim Flange* *For BL or Z trim colors only



In a continuing effort to offer the best product possible we reserve the right to change, without notice, specifications or materials that in our opinion will not alter the function of the product.
 Web: www.prescolite.com • Tech Support: (888) 777-4832

LB-LED-001

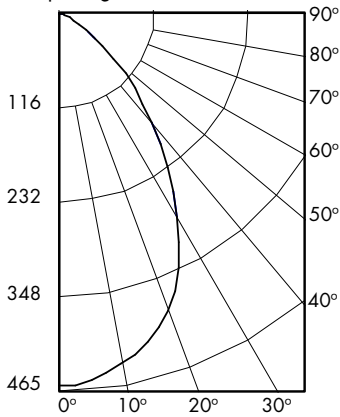
PHOTOMETRIC DATA

Litebox LED - 6" LED Downlight Module

DRIVER DATA	LB6LED3
Input Voltage	120V
Input Frequency	43-63 Hz
Input Current	0.13A
Input Power	15W
Constant Current Output	460mA
Power Factor	>0.90
THD	<20%
EMI Filtering	FCC 47CFR
	Part 15, Class B
Operating Temperature	-30°C to 60°C
Dimming	Yes*
Over-voltage, over-current, short-circuit protected	

LB6LED335K WH

LED Light Engine: (9) LED Array 3500K, 83 CRI
 System Wattage: 15
 Fixture delivered lumens: 685
 Fixture Efficacy: 43
 Spacing Criteria: 1.0



CANDELA DISTRIBUTION	
DEG	CANDELA
0	463
5	458
15	417
25	342
35	249
45	159
55	63
65	20
75	5
85	2
90	0

Test No. 3366

Tested at 25°C Ambient in accordance to IESNA LM-79-2008

Tested in DBX housing

PERFORMANCE DATACHART

Single Unit, Initial Footcandles, 30" Work Plane						Ceiling to Floor Height (ft)	Multiple Units, Initial Footcandles, 30" Work Plane				
Nadir	10°		20°		30°		Spacing is Maximum Over Work Plane, SMH = 1				
FC	FC	Dia (ft)	FC	Dia (ft)	FC	Dia (ft)	Fixture Spacing (ft)	RCR 2	RCR 5	RCR 7	
38	34	1	26	3	16	4	6	4.0	55	42	35
15	14	2	10	4	6	6	8	6.0	22	17	14
7	7	3	5	6	3	9	10.5	8.0	10	8	7
5	5	3	4	7	2	11	12	10.0	7	6	5

ZONAL LUMEN SUMMARY

ZONE	LUMENS	%LUMINAIRE
0-30	316.6	46.2%
0-40	471.9	68.8%
0-60	657.9	95.9%
0-90	685.7	100.0%

COEFFICIENTS OF UTILIZATION

Zonal Cavity Method

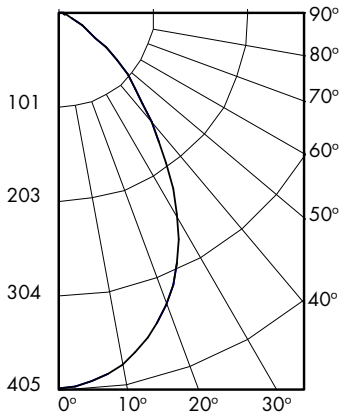
Room Cavity Ratio	% Effective Ceiling Cavity Reflectance				% Effective Floor Cavity Reflectance				% Wall Reflectance					
	80%		70%		50%		30%		70		50		30	
	70	50	30	10	70	50	30	10	50	10	50	10	50	10
1	1.12	1.08	1.05	1.03	1.09	1.01	1.02	.98	.98	.95	.98	.98	.95	.95
3	.98	.89	.83	.78	.95	.78	.85	.76	.83	.75	.83	.75	.75	.75
5	.85	.75	.67	.62	.83	.62	.72	.61	.70	.61	.70	.61	.61	.61
7	.74	.63	.56	.51	.73	.50	.61	.50	.60	.50	.60	.50	.50	.50
9	.66	.54	.47	.42	.65	.42	.53	.42	.52	.42	.52	.42	.42	.42

LB6LED335K WH

Test No. 3366

LB6LED327K WH

LED Light Engine: (9) LED Array 2700K, 81 CRI
 System Wattage: 15
 Fixture delivered lumens: 591
 Fixture Efficacy: 40
 Spacing Criteria: 1.0



CANDELA DISTRIBUTION	
DEG	CANDELA
0	405
5	400
15	362
25	295
35	214
45	136
55	59
65	17
75	4
85	1
90	0

Test No. 3365

Tested at 25°C Ambient in accordance to IESNA LM-79-2008

Tested in DBX housing

PERFORMANCE DATACHART

Single Unit, Initial Footcandles, 30" Work Plane						Ceiling to Floor Height (ft)	Multiple Units, Initial Footcandles, 30" Work Plane				
Nadir	10°		20°		30°		Spacing is Maximum Over Work Plane, SMH = 1				
FC	FC	Dia (ft)	FC	Dia (ft)	FC	Dia (ft)	Fixture Spacing (ft)	RCR 2	RCR 5	RCR 7	
33	30	1	22	3	14	4	6	4.0	48	36	30
13	12	2	9	4	5	6	8	6.0	19	15	12
6	6	3	4	6	3	9	10.5	8.0	9	7	6
4	4	3	3	7	2	11	12	10.0	6	5	4

ZONAL LUMEN SUMMARY

ZONE	LUMENS	%LUMINAIRE
0-30	274.6	46.4%
0-40	408.3	69.0%
0-60	567.8	95.9%
0-90	591.8	100.0%

COEFFICIENTS OF UTILIZATION

Zonal Cavity Method

Room Cavity Ratio	% Effective Ceiling Cavity Reflectance				% Effective Floor Cavity Reflectance				% Wall Reflectance					
	80%		70%		50%		30%		70		50		30	
	70	50	30	10	70	50	30	10	50	10	50	10	50	10
1	1.12	1.09	1.05	1.03	1.09	1.01	1.02	.98	.98	.95	.98	.98	.95	.95
3	.98	.90	.83	.78	.95	.78	.85	.76	.83	.75	.83	.75	.75	.75
5	.85	.75	.67	.62	.83	.62	.72	.61	.70	.61	.70	.61	.61	.61
7	.75	.63	.56	.51	.73	.51	.61	.50	.60	.50	.60	.50	.50	.50
9	.66	.54	.47	.43	.65	.42	.53	.42	.52	.42	.52	.42	.42	.42

LB6LED327K WH

Test No. 3365

NOTES

Refer to www.prescolite.com for additional photometric tests (IES Files).



Web: www.prescolite.com • Tech Support: (888) 777-4832
 701 Millennium Boulevard • Greenville, SC 29607 U.S.A. • Phone (864) 678-1000
 Copyright ©2012 Prescolite, Inc., a division of Hubbell Lighting, Inc. All Rights Reserved
 Specifications subject to change without notice. • Printed in U.S.A. • LB-LED-001 • 3/28/12



Hubbell Lighting, Inc.

DIMMING NOTES:

LiteBox LED integral driver is compatible with existing 2-wire dimming circuits and is designed to operate with most standard dimmers including incandescent 120V line voltage (forward phase-leading edge) dimmers as well as 120V electronic low voltage (ELV) (reverse phase-trailing edge) dimmers. Dimming capabilities will vary depending upon the dimmer control used.

A 120V Electronic Low Voltage (ELV) dimmer can typically operate a single LED unit and are recommended for use with LB6LED Series.

Recommended Electronic Low Voltage Dimmers:

Lutron Nova T Series (Part number NTELV-600)
 Lutron Faedra (Part Number FAELV-T00-XX)
 Leviton Acenti (Part Number ACE06-XXX)
 Leviton Vizia (Part Number VZE04)

Most incandescent line voltage dimmers have minimum load requirements of approximately 40W and may require multiple LED modules per control. (See dimmer control manufacturer's instructions for specific requirements.)

Recommended Incandescent Line Voltage Dimmers:

Leviton, Illumitech Series (Part Numbers IPI06-XXX)
 Leviton, Trimatron Series (Part Numbers 6602-X, 6681-X, 6683-X, 6684-X, 700-X and 705-X)
 Leviton, SureSlide Series (Part Numbers 6631)
 Leviton, True Touch Series (Part Number 66061LM)
 Lutron Skylark Series (Part Number S-600, S2-LH)
 Lutron, Maestro Sereis (Part Numbers MAW-600)
 Cooper, Aspire Series (Part Numbers 9530XXX)

Digital dimmers are not compatible with LiteBox LED modules.

COMPATIBILITY OF 6" RECESSED HOUSINGS:

LiteBox LED modules are UL/cUL classified for use with:

Prescolite

Capri
 Commercial Electric
 Elco
 Emerald
 Halo
 Intense
 Jimway
 Juno

DBX, RMNID, FT6

CR1, CRR1
 C71A(H3)
 EL7RICA, EL7ICA
 P1-ICTN
 H7ICAT, H7RICAT
 I6AIC, I6RAIC
 C7ICR(H2)
 IC22

Lithonia
 Lumapro
 Luminaire
 Nora
 Progress
 Sea Gull
 WAC

L7X
 5TP95
 LUICT-00
 NHIC-17QAT, NHRIC-17QNBAT
 P187-TG, P87-AT, P821-FB
 1128
 R6VI-HCA, R6VI-R-ICA



NOTES

1. Operation in ambient temperatures higher than those specified will shorten life and void warranty.
2. Warranty is limited to repair and replacement of defective parts of the LED system and does not include labor or installation. 5 year warranty requires product registration. See www.prescolite.com for details.



Web: www.prescolite.com • Tech Support: (888) 777-4832
 701 Millennium Boulevard • Greenville, SC 29607 U.S.A. • Phone (864) 678-1000
 Copyright ©2012 Prescolite, Inc., a division of Hubbell Lighting, Inc. All Rights Reserved
 Specifications subject to change without notice. • Printed in U.S.A. • LB-LED-001 • 3/28/12



Hubbell Lighting, Inc.