



10" Direct Ceiling Mount Cylinder **CFS1026**

Two 26W CFL Quad
Tube Lamps
120V-277V or 347V

DATE: _____ TYPE: _____

FIRM NAME: _____

PROJECT: _____



For conversion to millimeters,
multiply inches by 25.4
Not to Scale

APPLICATIONS:

The CFS10 is a 10" ceiling mounted cylinder with superior brightness and glare control. The shallow depth of the CFS10 makes it ideal for a wide variety of low ceiling applications in commercial, retail, and hospitality environments.

HOUSING:

Heavy wall, rolled, and welded seamless aluminum housing with powder coat finish. Drawn aluminum top with provisions for direct mounting to 3 1/2" or 4" octagonal box. Specify: brushed aluminum, matte black, bronze, matte white or Prescolite's exclusive Zet, metallic silver.

REFLECTOR:

Clear or gold Alzak reflector spun from .050" aluminum.

BALLAST:

One (1) 26W compact fluorescent Class 'P' multi-volt, multi-watt electronic ballast. High power factor standard.

LAMP:

Two (2) 26W quad tube with G24q-3 base. Lamps furnished by others.

SOCKET:

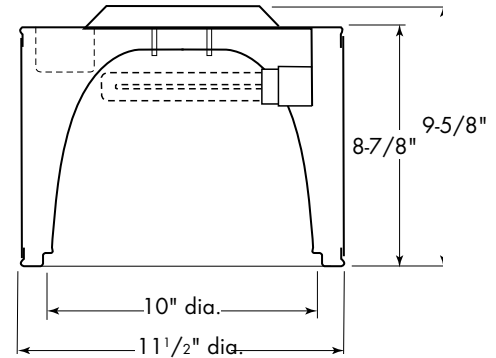
Two (2) injection molded sockets.

INSTALLATION:

Easy installation onto standard J-box.

LABELS:

UL listed or UL/CSA listed with CDN option for damp locations



CATALOG NUMBER: _____

EXAMPLE: CFS1026-783EBBZ

CYLINDERS	CYLINDER OPTIONS	CYLINDER FINISHES	ACCESSORIES
<input type="checkbox"/> CFS1026-782 EB 10" Direct ceiling mount cylinder, clear Alzak, (2) 26W CFL quad tube, electronic ballast <input type="checkbox"/> CFS1026-783 EB 10" Direct ceiling mount cylinder, gold Alzak, (2) 26W CFL quad tube, electronic ballast	<input type="checkbox"/> CDN Canadian electrical code compliant ballast disconnect <input type="checkbox"/> CDN 347V³ Canadian electrical code compliant ballast disconnect <input type="checkbox"/> SYL² Osram Sylvania Ballast (available only for standard EB option) <input type="checkbox"/> DM Electronic dimming ballast (contact factory for wall control system compatibility) <input type="checkbox"/> 7DM Advance Mark 7 Dimming Ballast to 5%, 4-wire, 0-10V, analog (120V-277V) <input type="checkbox"/> XDM¹ Advance Mark 10 Dimming Ballast to 5%, 2-wire line voltage	<input type="checkbox"/> ECDM Lutron EcoSystem or 3-wire line voltage dimming ballast (120-277V). Dims to 5%. <input type="checkbox"/> 2DM¹ Lutron Tu-Wire Dimming Ballast to 5%, 2-wire line voltage (120V) <input type="checkbox"/> SMT Philips Advance SmartMate® ballast	<input type="checkbox"/> BA Brushed aluminum <input type="checkbox"/> BL Matte black <input type="checkbox"/> BZ Bronze <input type="checkbox"/> WH Matte white <input type="checkbox"/> Z "Zet" metallic silver Special Reflector Finishes: Refer to specification sheet #LFO-CFL-026 for reflector capabilities 1. Specify voltage and wattage 2. Available for Osram Sylvania Quick 60+® Limited Warranty when used with Osram lamp(s). See www.prescolite.com for details. 3. Dimming not available for 347V

PHOTOMETRIC DATA **LiteForms™ - 10" Direct Ceiling Mount Cylinder** CFS1018/CFS1026

BALLAST DATA

	120V	26W 277V	347V
Total System Watts	20W	29W	31W
Input Current (Amps)	0.17	0.11	0.09
Input Frequency	50/60Hz	50/60Hz	50/60Hz
Power Factor	>97%	>97%	>97%
Ballast Factor	>98%	>98%	1
Total Harmonic Distortion	<10%	<10%	<10%
Total Harmonic Distortion	-18°C (0°F)	-18°C (0°F)	-18°C (0°F)

LAMP DATA

Rated Watts	26W Quad
Rated Lumens	1800
Efficacy (LPW)	69
Rated Life	10,000 hours
CRI	82
Minimum Starting Temp.	0° F

LUMINANCE DATA IN CANDELA/SQ. METER

Angle in Vertical	Average 0°
0°	2003
30°	2952
40°	3001
45°	2372
50°	651

AVERAGE INITIAL FOOTCANDLES

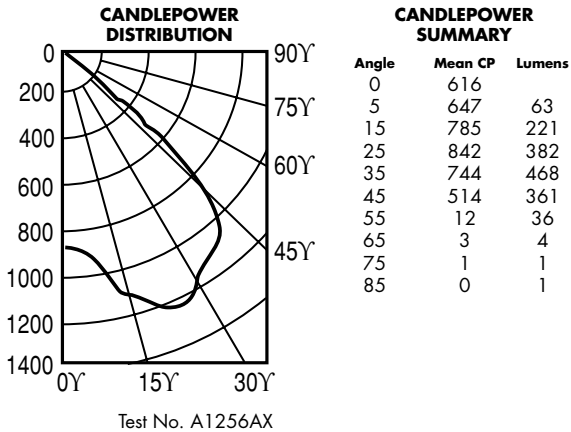
Multiple Units (Square Array)
Ceiling 80% Wall 50% Floor 20%

26W Quads

SPACING	RCR1	RCR3	RCR7
8.0	33	27	19
9.0	28	22	15
10.0	21	18	12
11.0	17	14	10
12.0	15	12	8

CFS1026-782 with Clear Alzak Reflector

Rated Lumens: 1800
Spacing Criteria: 1.5
Efficiency: 61.5%
For gold reflector multiply C.P. value by 0.9.
Refer to CFS1026-782 EB



COEFFICIENTS OF UTILIZATION Zonal Cavity Method

Room Cavity Ratio	% Effective Floor Cavity Reflectance																												
	80%				70%				50%				30%				10%												
	20% Effective Floor Cavity Reflectance																												
													% Wall Reflectance																
													70	50	30	10	70	50	30	10	50	30	10	50	30	10	50	30	10
1	.70	.68	.66	.65	.68	.67	.65	.64	.64	.63	.62	.62	.61	.60	.60	.59	.58												
2	.66	.63	.60	.58	.65	.62	.59	.57	.60	.58	.56	.58	.56	.55	.56	.55	.54												
3	.62	.58	.55	.52	.61	.57	.54	.52	.56	.53	.51	.54	.52	.50	.53	.51	.49												
4	.59	.54	.50	.47	.58	.53	.50	.47	.52	.49	.46	.50	.48	.46	.49	.47	.45												
5	.55	.50	.46	.43	.54	.49	.45	.43	.48	.45	.42	.47	.44	.42	.46	.43	.41												
6	.52	.46	.42	.39	.51	.45	.41	.39	.44	.41	.38	.43	.40	.38	.42	.40	.38												
7	.48	.42	.38	.35	.47	.41	.37	.35	.40	.37	.34	.40	.36	.34	.39	.36	.34												
8	.45	.38	.34	.31	.44	.38	.34	.31	.37	.33	.31	.36	.33	.31	.36	.33	.30												
9	.42	.35	.30	.28	.41	.34	.30	.28	.34	.30	.27	.33	.30	.27	.32	.29	.27												
10	.38	.32	.27	.24	.38	.31	.27	.24	.31	.27	.24	.30	.27	.24	.30	.26	.24												

CFS1026-782 Test No. A1256AX

NOTES

Refer to www.prescolite.com for additional photometric tests (IES Files).

